



U35 Gas Insert

MODELS: U35-NG1 Natural Gas U35-LP1 Propane

Owners & Installation Manual



PALACE™
DESIGNER FIREPLACES



REGENCY®
FIREPLACE PRODUCTS

WARNING:

Improper installation, adjustment, alteration, service or maintenance can cause injury, property damage, or loss of life. Refer to this manual. For assistance or additional information consult an authorized installer, service agency or the gas supplier.

FOR YOUR SAFETY

Do not store or use gasoline or other flammable vapours and liquids in the vicinity of this or any other appliance.

Installation and service must be performed by an authorized installer, service agency or the gas supplier.

FOR YOUR SAFETY

What to do if you smell gas:

- Do not try to light any appliance
- Do not touch any electrical switch:
- do not use any phone in your building.

Immediately call your gas supplier

- from a neighbour's phone. Follow the gas supplier's instructions.

- If you cannot reach your gas supplier, call the fire department.

Tested by:



Installer: Please complete the details on the back cover and leave this manual with the homeowner.

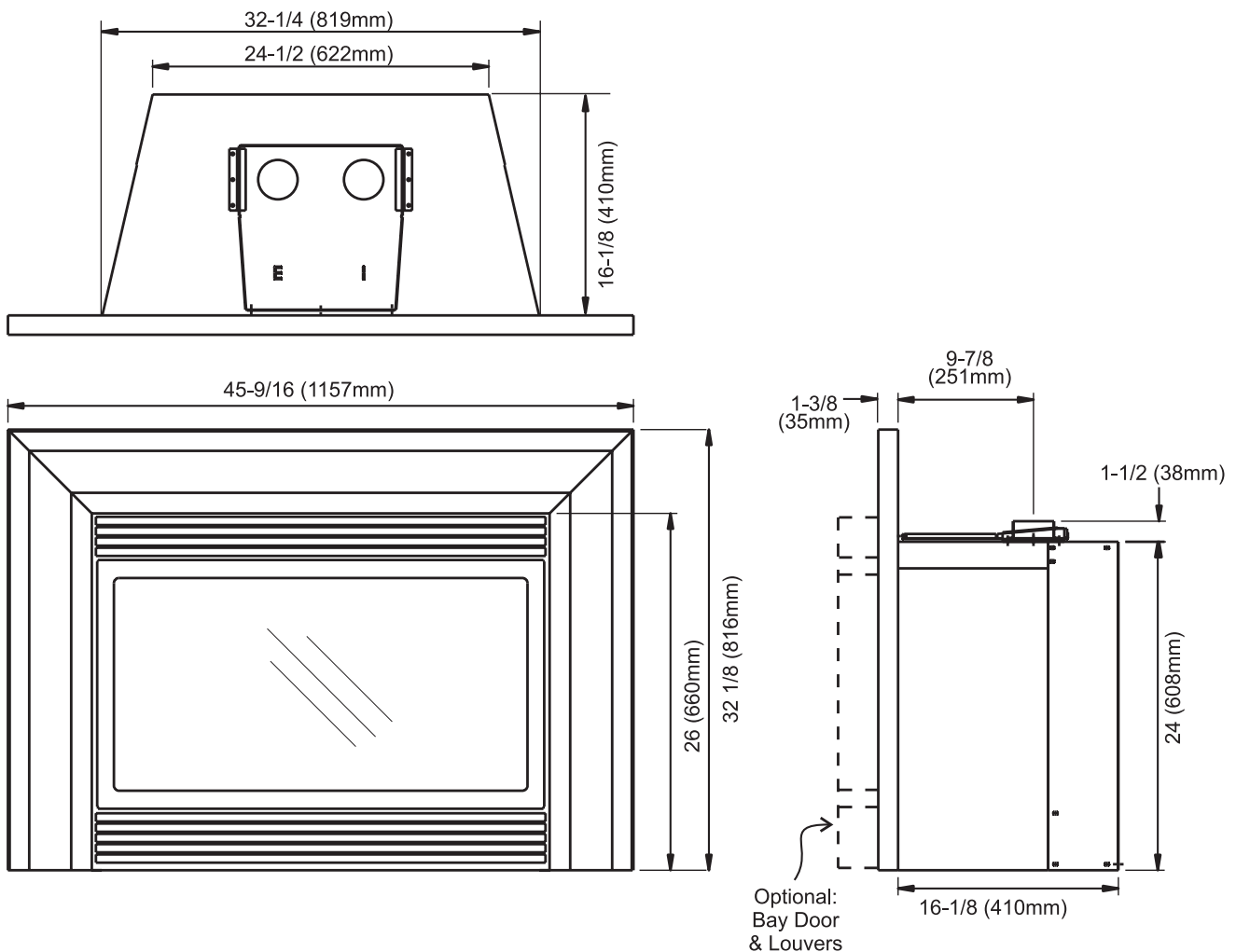
Homeowner: Please keep these instructions for future reference.

FPI GAS FIREPLACE INSERT

TO THE NEW OWNER

Congratulations! You are the owner of a state-of-the-art Gas Insert by FPI.

The U35 Gas Insert has been designed to provide you with all the warmth and charm of a fireplace, at the flick of a switch. The U35-NG1 and U35-LP1 have been approved by Warnock Hersey for both safety and efficiency. As it also bears our own mark, it promises to provide you with economy, comfort and security for many trouble free years to follow. Please take a moment now to acquaint yourself with these instructions and the many features of your FPI Fireplace.



NATIONAL FIREPLACE INSTITUTE
NFI
CERTIFIED
www.nficertified.org

We recommend that our products be installed and serviced by professionals who are certified in the U.S. by the National Fireplace Institute® (NFI) or in Canada by Wood Energy Technical Training (WETT).

Wood Energy Technical Training
www.wettinc.ca

ONE REGENCY = ONE TREE

For each Regency sold we plant a tree
AmericanForests.org

TABLE OF CONTENTS

FPI GAS FIREPLACE INSERT

SAFETY LABEL

Serial No. Decal	4
------------------------	---

REQUIREMENTS

MA Code - CO Detector (for state of Massachusetts only).....	5
---	---

INSTALLATION

Important Message	6
For Your Safety.....	6
Gas Pressure Testing	6
Specifications	6
Installation Into A Solid Fuel Burning Fireplace Or Factory Built Fireplace	6
Before You Start	6
Installation Checklist.....	7
Materials Required	7
Minimum Fireplace Dimensions	7
Minimum Clearances To Combustibles	8
Venting.....	9
Flue Liner Installation	9
Gas Connection	9
Gas Insert Aeration System.....	10
Gas Pipe Pressure Testing.....	10
Optional Brick Panel.....	10
Log Installation	11
Faceplate & Trim Installation	11
Standard Flush Door	12
Optional Flush Trim	12
Flush Louvers.....	12
Optional Bay Door	13
Optional Bay Trim.....	13
Bay Louvers.....	13
Double Screen Doors	13
The Kensington Front Installation.....	14
Full Screen Doors.....	16
Wiring Diagrams.....	18
Optional Remote Control	19
Optional Wall Thermostat	19

OPERATING INSTRUCTIONS

First Fire	20
Operating Instructions	20
Lighting Procedure	20
Shutdown Procedure.....	20
Final Check.....	20
Copy of Lighting Instruction Plate.....	21
Automatic Convection Fan Operation.....	21
Normal Operating Sounds Of Gas Appliances	21

MAINTENANCE

Maintenance Instructions.....	22
General Vent	22
Maintenance	22
Log Replacement	22
Glass Gasket.....	22
Steel or Gold Trim.....	22
Door Glass	23
Fan Maintenance.....	23
Removing Valve.....	24
Installing Valve.....	25

PARTS LIST

Main Assembly	26
Burner & Log Assembly	27
Flush Door And Bay Front Assembly.....	28
Faceplates, Trims, And Hearths	29

WARRANTY


Warranty	31
----------------	----

SAFETY LABEL

This is a copy of the labels that accompany each U35 Gas Insert. We have printed a copy of the contents here for your review. The safety label is located on a plate inside the base of the unit visible when the bottom louver is opened.

NOTE: FPI units are constantly being improved. Check the label on the unit and if there is a difference, the label on the unit is the correct one.


DO NOT REMOVE THIS LABEL / NE PAS ENLEVER CETTE ÉTIQUETTE



312


Serial No. / No de serie

Listed: VENT GAS FIREPLACE HEATER
Tested to: ANSI Z21.88b-2003/CSA 2.33b-2003,
CAN/CGA-2.17-M91
Certified for/Certifiée pour: CANADA AND U.S.A.
WH# 15947



NATURAL GAS FIREPLACE INSERT: MODEL U35-NG1
Factory Equipped For Altitude 0-4500ft. (0-1370m)

Min. supply pressure	5"	WC	(1.25 kpa)
Low Setting Man. pressure	1.1"	WC	(0.27 kpa)
Max. Manifold pressure	3.8"	WC	(0.95 kpa)
Orifice size	33	DMS	
Minimum input	17,500	Btu/h	(5.13 kW)
Maximum input	35,000	Btu/h	(10.26 kW)



PROPANE GAS FIREPLACE INSERT: MODEL U35-LP1
Factory Equipped For Altitude 0-4500ft. (0-1370m)

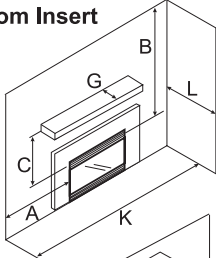
Min. supply pressure	12"	WC	(2.99 kpa)
Low Setting Man. pressure	2.9"	WC	(0.72 kpa)
Max. Manifold pressure	11"	WC	(2.74 kpa)
Orifice size	50	DMS	
Minimum input	17,500	Btu/h	(5.13 kW)
Fan off output	27,000	Btu/h	(7.91 kW)
Fan on Maximum output	27,500	Btu/h	(8.06 kW)
Maximum input	35,000	Btu/h	(10.26 kW)

WARNING: This fireplace has been converted for use with a gas fireplace insert only and cannot be used for burning wood or solid fuels unless all original parts have been replaced and the fireplace re-approved by the authority having jurisdiction. For installation in Solid Fuel Burning Fireplaces. This appliance must be installed in accordance with local codes, if any. If not, follow ANSI Z223.1 / CAN 1-B149. This vented gas fireplace heater is not for use with air filters. For Manufactured Home Installation: This Direct Vent System Appliance must be installed in accordance with the manufacturer's installation instructions and Manufactured Home Construction and Safety Standard Title 24 CFR, Part 3280, or the current Standard for Fire Safety Criteria for Manufactured Home Installation, Sites, and Communities ANSI/NFPA 501A, and with CAN/CSA Z240 MH Mobile Home Standard in Canada. This appliance is only for use with the type of gas indicated on the rating plate and may be installed in an aftermarket, permanently located, manufactured (mobile) home where not prohibited by local codes. See owner's manual for details. This appliance is not convertible for use with other gases, unless a certified kit is used.
 Electrical Supply: 115 V, 56 WATTS, 60 Hz

NOT FOR USE WITH SOLID FUELS

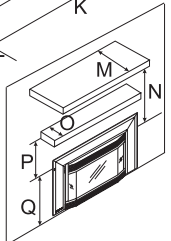
Minimum Clearances to Combustibles from Insert

Side wall	A	8"	(203mm)
Ceiling	B	34"	(834mm)
Mantel	C	14"	(356mm)
Mantel Width	G	12"	(305mm)
Alcove Width	K	48"	(1220mm)
Max. Alcove Depth	L	36"	(915mm)



Mantel Clearances with Bay & Flush Louvers in Masonry Fireplace Installation

Mantel Width	M	12"	(305mm)
Mantel Height	N	14"	(356mm)
Mantel Width	O	3-1/2"	(89mm)
Mantel Height	P	11"	(279mm)
Floor	Q	20"	(508mm)



FPI Fireplace Products International Ltd., Delta, BC, CANADA
MADE IN CANADA / FABRIQUE AU CANADA 918-506a

For the State of Massachusetts, installation and repair must be done by a plumber or gasfitter licensed in the Commonwealth of Massachusetts.

For the State of Massachusetts, flexible connectors shall not exceed 36 inches in length.

For the State of Massachusetts, the appliances individual manual shut-off must be a t-handle type valve.

The State of Massachusetts requires the installation of a carbon monoxide alarm in accordance with NFPA 720 and a CO alarm with battery back up in the same room where the gas appliance is installed.

MA Code - CO Detector (for the State of Massachusetts only)

5.08: Modifications to NFPA-54, Chapter 10

(2) Revise 10.8.3 by adding the following additional requirements:

(a) For all side wall horizontally vented gas fueled equipment installed in every dwelling, building or structure used in whole or in part for residential purposes, including those owned or operated by the Commonwealth and where the side wall exhaust vent termination is less than seven (7) feet above finished grade in the area of the venting, including but not limited to decks and porches, the following requirements shall be satisfied:

1. **INSTALLATION OF CARBON MONOXIDE DETECTORS.** At the time of installation of the side wall horizontal vented gas fueled equipment, the installing plumber or gasfitter shall observe that a hard wired carbon monoxide detector with an alarm and battery back-up is installed on the floor level where the gas equipment is to be installed. In addition, the installing plumber or gasfitter shall observe that a battery operated or hard wired carbon monoxide detector with an alarm is installed on each additional level of the dwelling, building or structure served by the side wall horizontal vented gas fueled equipment. It shall be the responsibility of the property owner to secure the services of qualified licensed professionals for the installation of hard wired carbon monoxide detectors

a. In the event that the side wall horizontally vented gas fueled equipment is installed in a crawl space or an attic, the hard wired carbon monoxide detector with alarm and battery back-up may be installed on the next adjacent floor level.

b. In the event that the requirements of this subdivision can not be met at the time of completion of installation, the owner shall have a period of thirty (30) days to comply with the above requirements; provided, however, that during said thirty (30) day period, a battery operated carbon monoxide detector with an alarm shall be installed.

2. **APPROVED CARBON MONOXIDE DETECTORS.** Each carbon monoxide detector as required in accordance with the above provisions shall comply with NFPA 720 and be ANSI/UL 2034 listed and IAS certified.

3. **SIGNAGE.** A metal or plastic identification plate shall be permanently mounted to the exterior of the building at a minimum height of eight (8) feet above grade directly in line with the exhaust vent terminal for the horizontally vented gas fueled heating appliance or equipment. The sign shall read, in print size no less than one-half (1/2) inch in size, "**GAS VENT DIRECTLY BELOW. KEEP CLEAR OF ALL OBSTRUCTIONS**".

4. **INSPECTION.** The state or local gas inspector of the side wall horizontally vented gas fueled equipment shall not approve the installation unless, upon inspection, the inspector observes carbon monoxide detectors and signage installed in accordance with the provisions of 248 CMR 5.08(2)(a)1 through 4.

(b) **EXEMPTIONS:** The following equipment is exempt from 248 CMR 5.08(2)(a)1 through 4:

1. The equipment listed in Chapter 10 entitled "Equipment Not Required To Be Vented" in the most current edition of NFPA 54 as adopted by the Board; and

2. Product Approved side wall horizontally vented gas fueled equipment installed in a room or structure separate from the dwelling, building or structure used in whole or in part for residential purposes.

(c) **MANUFACTURER REQUIREMENTS - GAS EQUIPMENT VENTING SYSTEM PROVIDED.** When the manufacturer of Product Approved side wall horizontally vented gas equipment provides a venting system design or venting system components with the equipment, the instructions provided by the manufacturer for installation of the equipment and the venting system shall include:

1. Detailed instructions for the installation of the venting system design or the venting system components; and

2. A complete parts list for the venting system design or venting system.

(d) **MANUFACTURER REQUIREMENTS - GAS EQUIPMENT VENTING SYSTEM NOT PROVIDED.** When the manufacturer of a Product Approved side wall horizontally vented gas fueled equipment does not provide the parts for venting the flue gases, but identifies "special venting systems", the following requirements shall be satisfied by the manufacturer:

1. The referenced "special venting system" instructions shall be included with the appliance or equipment installation instructions; and

2. The "special venting systems" shall be Product Approved by the Board, and the instructions for that system shall include a parts list and detailed installation instructions.

(e) A copy of all installation instructions for all Product Approved side wall horizontally vented gas fueled equipment, all venting instructions, all parts lists for venting instructions, and/or all venting design instructions shall remain with the appliance or equipment at the completion of the installation.

INSTALLATION

IMPORTANT MESSAGE

The FPI Gas Insert must be installed in accordance with these instructions. Carefully read all the instructions in this manual first. Consult the building authority having jurisdiction to determine the need for a permit prior to starting the installation.

NOTE: Failure to follow the instructions could cause a malfunction of the heater which could result in death, serious bodily injury, and/or property damage. Failure to follow these instructions may also void your fire insurance and/or warranty.

FOR YOUR SAFETY

This appliance requires air for proper combustion. Always provide adequate combustion and ventilation air. Follow instructions and information in CAN/CGA B149 (in Canada) or the National Fuel Gas Code ANSI Z223.1 (in the USA), regarding requirements for combustion and ventilation air.

GAS PRESSURE TESTING

The appliance must be isolated from the gas supply piping system by closing its individual manual shut off valve during any pressure testing of the gas supply piping system at test pressures equal to or less than 1/2 psig. (3.45 kPa).

SPECIFICATIONS

At pressures over 1/2 psig, the pipe to the unit must be disconnected.

Gas Input Capacity:

Natural Gas	35,000 Btu/h
Propane	35,000 Btu/h

Min. Input (Fan Off)

Natural Gas	17,500 Btu/h
Propane	17,500 Btu/h

Max. Output

	Fan On	Fan Off
Natural Gas	26,800 Btu/h	26,300 Btu/h
Propane	27,500 Btu/h	27,000 Btu/h

Fuels: Approved for use with both natural gas, and propane. Approved as is for use at 0' to 4,500' (0-1370m).

Electrical: 120V A.C. system.

Circulation Fan: Variable speed, 127 CFM.

Log Set: Ceramic fibre, 3 per set.

Vent System: 3" co-linear aluminum flex.

The efficiency rating of the appliance is a product thermal efficiency rating determined under continuous operating conditions and was determined independent of any installed system.

INSTALLATION INTO A SOLID FUEL BURNING FIREPLACE OR FACTORY BUILT FIREPLACE

The U35 Gas Inserts have been tested and approved to be vented into any masonry fireplace or approved solid fuel burning factory built fireplace that will allow the insert to physically fit into the firebox. Refer to the "Minimum Fireplace Dimensions" section for minimum fireplace clearances.

If the factory built fireplace* height is too low for your Insert, you may remove the smoke baffle plate and damper from the factory built fireplace as long as these items are saved and are reinstalled in the event that the insert is removed. NOTE: Any alterations made to the listed solid fuel burning factory built fireplace may void the listing of the fireplace.

*Check with your local inspector before commencing with this installation.

Installer must mechanically attach the supplied label to the inside of the firebox of the fireplace into which the gas fireplace insert is installed.

WARNING: This fireplace has been converted for use with a gas fireplace insert only and cannot be used for burning wood or solid fuels unless all original parts have been replaced, and the fireplace re-approved by the authority having jurisdiction."

BEFORE YOU START

Safe installation and operation of this appliance requires common sense, however, we are required by the Canadian Safety Standards and ANSI Standards to make you aware of the following:

General Safety Information

- 1) The appliance installation must conform with local codes or in the absence of local codes, with CAN/CGA B149 (in Canada) or the National Fuel Gas Code ANSI Z223.1 in the U.S.A. This appliance should be installed by a qualified gas fitter technician only.

- 2) Installation and repair should be done by a qualified service person.

- 3) The appliance should be inspected before use and at least annually by a professional service person. More frequent cleaning may be required due to excessive lint from carpeting, bedding material, animal hair, etc. It is imperative that control compartments, burners and circulating air passageways of the appliance be kept clean.

- 4) See general construction and assembly instructions. This appliance may only be installed in a vented, noncombustible fireplace.

- 5) This appliance is Listed for bedroom installations when used with a Listed Millivolt Thermostat. Some areas may have further requirements, check local codes before installation.

- 6) Always connect this insert to a vent system venting to the outside of the building envelope. Never vent to another room or inside a building. Make sure that the vent is properly sized and is of adequate height to provide the proper draft.

- 7) Inspect the venting system annually for blockage and any signs of deterioration.

- 8) Any glass removed for servicing must be replaced prior to operating the appliance.

- 9) **WARNING: Failure to position the parts in accordance with the diagrams in this manual or failure to use only parts specifically approved with this appliance may result in property damage or personal injury.**

- 10) To prevent injury, do not allow anyone who is unfamiliar with the operation to use the fireplace.

- 11) Due to high temperatures, the appliance should be located out of high traffic areas and away from furniture and draperies. Children and adults should be alerted to the hazards of high surface temperatures, especially the fireplace glass and gold trims, and should stay away to avoid burns or clothing ignition. Young children should be carefully supervised when they are in the same room as the appliance. Clothing or other flammable material should not be placed on or near the appliance.

Emissions from burning wood or gas could contain chemicals known to the State of California to cause cancer, birth defects or other reproductive harm.

INSTALLATION CHECKLIST

Before installing vent system ensure that the damper plate is open and secure to prevent the damper plate from falling down and crushing the liner.

The FPI Gas Insert is installed as listed below.

- 1) Locate insert, refer to the following sections:
 - a) Installation Into a Solid Fuel Burning Fireplace or Factory Built Fireplace
 - b) Minimum Fireplace Dimensions
 - c) Minimum Clearances to Combustibles
 - d) Venting
- 2) Make the gas connection. Refer to the "Gas Connection" section.
- 3) Install the 3" flue liner to the sliding connector plate. Refer to the "Flue Liner Installation" section.
- 4) Slide the unit half way into the fireplace.
- 5) Pull the vent connector plate through the tapered brackets and fasten to the front plate. Refer to the "Flue Liner Installation" section.
- 6) Slide the unit fully into the fireplace.
- 7) Test gas pressure. Refer to the "Gas Pipe Pressure Testing" section. Check aeration system. Refer to the "Gas Insert Aeration System" section.
- 8) Install the standard and optional features. Refer to the following sections where applicable:
 - a. Log Installation
 - b. Faceplate & Trim Installation
 - c. Standard Flush Door
 - d. Flush Trim
 - e. Flush Louvers
 - f. Bay Door
 - g. Bay Trim
 - h. Bay Louvers
 - i. Double Screen Doors
 - j. The Kensington Front
 - k. Full Screen Doors
 - l. Remote Control
 - m. Wall Thermostat.

9) **Final check:** Before leaving this unit with the customer, the installer must ensure that the appliance is firing correctly. This includes:

- a) Locking the appliance to ensure the correct firing rate.
- b) Adjusting the primary air, if required, to ensure that the flame does not carbon. Refer to the "Gas Insert Aeration System" section.
- c) Ensuring that the appliance is venting correctly.

MATERIALS REQUIRED

No electrical power supply is required for the gas control to operate. A 120 Volt AC power cord is hooked up to the fan. Plug the 3 wire cord into a suitable receptacle. **Do not cut the ground terminal off under any circumstances.** When connected with 120 volts, the appliance must be electrically grounded in accordance with local codes, current version of the Canadian Electrical Code CSA C22.1 (in Canada) or in the absence of local codes, with the National Electrical Code ANSI/NFPA 70.

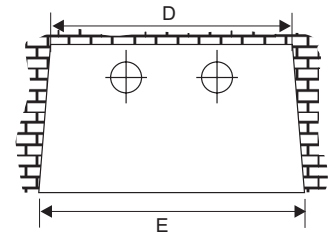
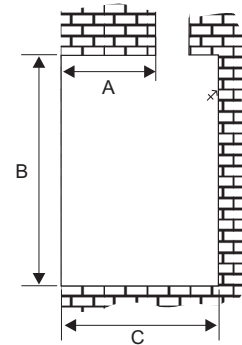
NOTE: This unit is equipped with a heat sensor thermodisc which will prevent the blower from operating until the unit reaches the correct temperature.

WARNING:

Electrical Grounding Instructions
 This appliance is equipped with a three pronged (grounding) plug for your protection against shock hazard and should be plugged directly into a properly grounded three-prong receptacle. Do not cut or remove the grounding prong from this plug.

MINIMUM FIREPLACE DIMENSIONS

The minimum fireplace clearances & dimensions for the FPI gas fireplace are shown in the following diagrams:



	Max Lenthil Bar Depth A	Height B	Depth C	Width (rear) D	Width (front) E
Regency Countour Faceplate	9"	25"	17"	25"	32-1/4"
Regency Molded Faceplate	10"	26-3/4"	18"	25"	34-1/2"
Palace Front	10"	26-3/4"	18"	25"	34-1/2"

INSTALLATION

MINIMUM CLEARANCES TO COMBUSTIBLES

From Unit

Sides A 8" / 203 mm
Ceiling B 34" / 834 mm

From Standard Surround 31-1/8" x 44-1/8" (791mm x 1121mm)

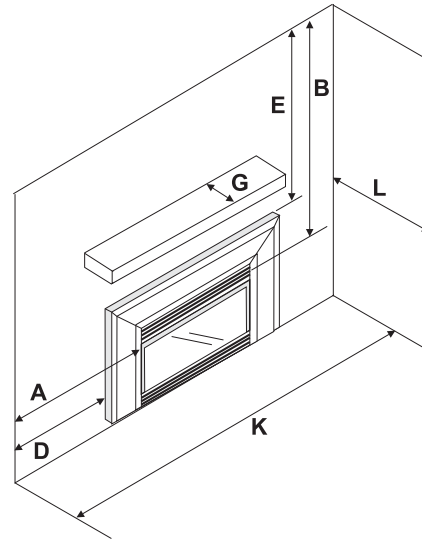
Sides D 1-15/16" / 49 mm
Ceiling E 28-7/8" / 733 mm

Max. Mantel Depth G 12" / 305 mm

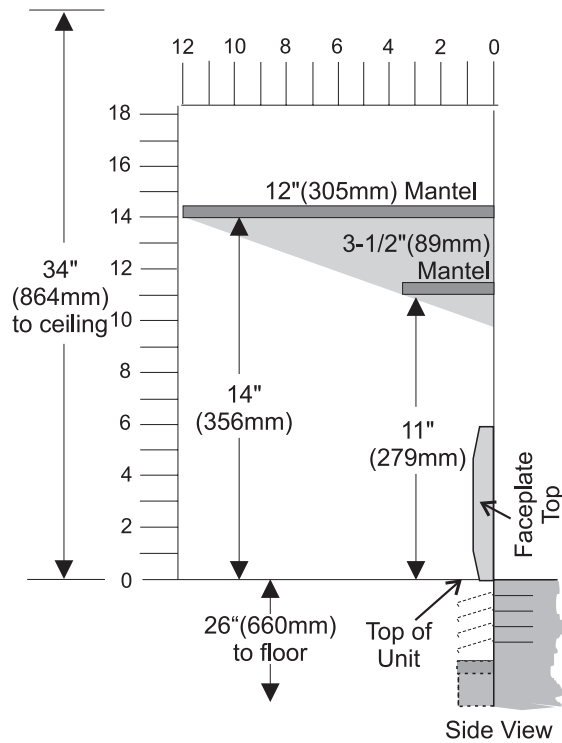
Min. Alcove Width K 48" / 1220 mm

Max. Alcove Depth L 36" / 915 mm

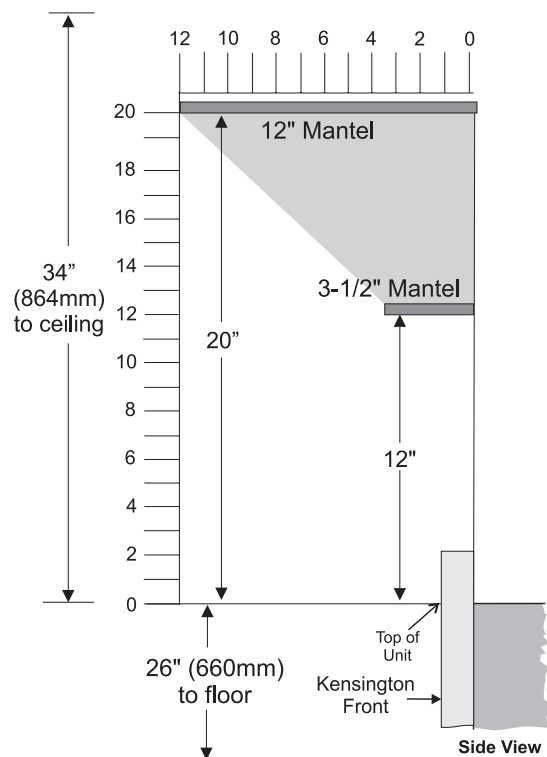
* No Hearth Required



REGENCY BAY & FLUSH COMBUSTIBLE MANTEL CLEARANCES



KENSINGTON FRONT COMBUSTIBLE MANTEL CLEARANCES



Because of the extreme heat this insert emits, the mantel clearances are critical. Combustible mantel clearances from top of unit are shown in the above diagrams.

Note: A non-combustible mantel may be installed at a lower height if the framing is made of metal studs covered with a non-combustible board.

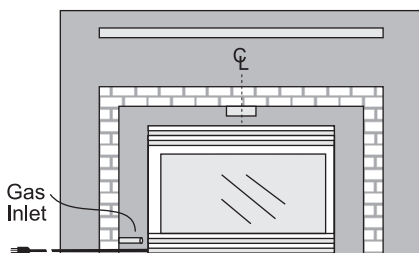
Mantel can be installed anywhere in shaded area or higher using the above scale.

Note: Ensure the paint that is used on the mantel and the facing is "heat resistant" or the paint may discolour.

GAS CONNECTION

GAS CONNECTION WARNING:
Only persons licensed to work with gas piping may make the necessary gas connections to this appliance.

- 1) If the appliance is to be installed into an existing chimney system, thoroughly clean the masonry or factory built fireplace.
- 2) The appliance is provided with an opening on the left hand side of the control compartment. A 3/8" NPT gas supply pipe must be brought near this inlet hole.



- 3) Locate the center point where the vent will pass through the chimney above the appliance. Move the appliance into the exact location where it is to be installed. Ensure that the Insert is level.

VENTING

THE APPLIANCE MUST NOT BE CONNECTED TO A CHIMNEY FLUE SERVING A SEPARATE SOLID FUEL BURNING APPLIANCE.

This appliance is designed to be attached to two 3" (76mm) co-linear aluminium flex running the full length of the chimney. The flue length must be a minimum length of 8' (2.44m) and a maximum of 35' (10.7m). See chart below for minimum distances from roof. Periodically check that the vent is unrestricted.

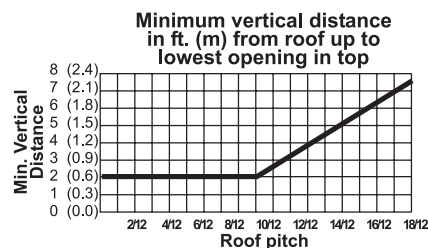
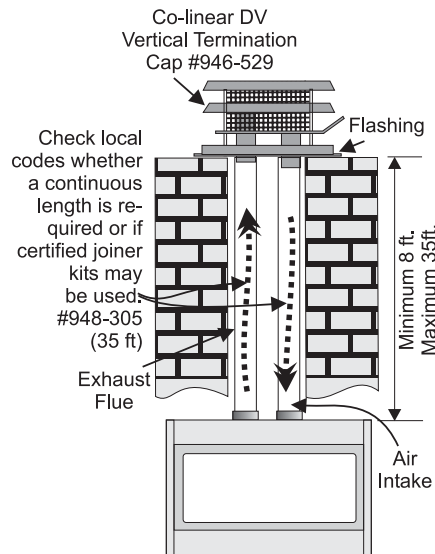
Masonry chimneys may take various contours which the flexible liner will accommodate. However, **keep the flexible liner as straight as possible**, avoid unnecessary bending.

Part #	Description
948-305	3" Flex - 35 ft.
946-529	Co-linear DV Vertical Termination Cap

Alternate Approved Caps	
980	Vertical Termination Cap
991	High Wind Cap
923GK	3" Co-linear Adaptor with flashing

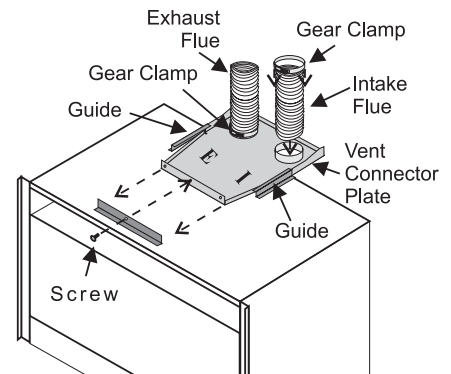
In areas of consistently high winds, we recommend using the Simpson Dura-Vent System (923GK adapter and 991 high-wind cap).

The Air Intake pipe must be attached to the inlet air collar of the termination cap.

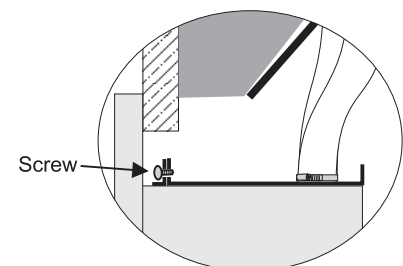
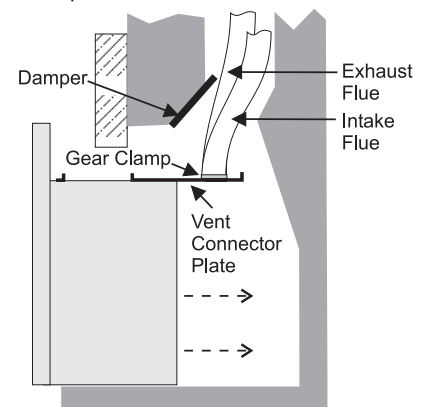


FLUE LINER INSTALLATION

- 1) Cut the flex liner as required.
- 2) Mark the end of one liner with an "E" to indicate exhaust.
- 3) Connect the other end of the above liner to the exhaust side of the termination adaptor, seal connection with high temperature silicone. Secure with gear clamp.
- 4) Connect the 2nd liner to the inlet side of the adaptor, seal connection with high temperature silicone. Secure with gear clamp.



- 5) Install flashing.
- 6) Insert both liners into chimney, passing through the damper opening.
- 7) Install termination cap.
- 8) Connect the **marked end** of the liner to the exhaust collar of the vent connector plate marked with an "E", seal connection with high temperature silicone. Secure with gear clamp.
- 9) Connect the 2nd liner to the intake collar marked with an "I", seal connection with high temperature silicone. Secure with gear clamp.



NOTE: 1) Final gas connection should be made after unit is in place to avoid damage to line when pushing the unit into position.

2) Mill-pac may be used instead of high temperature silicone and screws may be used instead of gear clamps at connections of liner to inlet and vent collars.

INSTALLATION

GAS PIPE PRESSURE TESTING

The appliance must be isolated from the gas supply piping system by closing its individual manual shut-off valve during any pressure testing of the gas supply piping system at test pressures equal to or less than 1/2 psig. (3.45 kPa). Disconnect piping from valve at pressures over 1/2 psig.

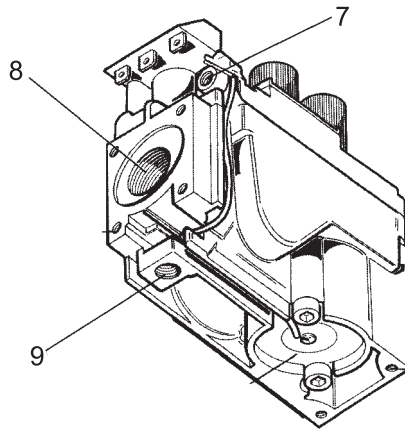
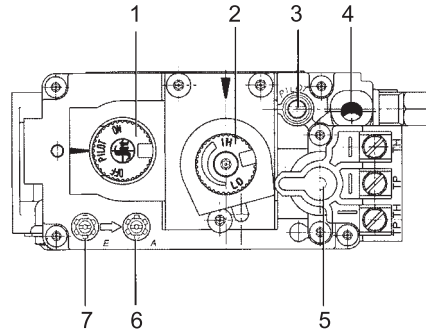
The manifold pressure is controlled by a regulator built into the gas control, and should be checked at the pressure test point.

Note: To properly check gas pressure, both inlet and manifold pressures should be checked using the valve pressure ports on the valve.

- 1) Make sure the valve is in the "OFF" position.
- 2) Loosen the "IN" and/or "OUT" pressure tap(s), turning counterclockwise with a 1/8" wide flat screwdriver.
- 3) Attach manometer to "IN" and/or "OUT" pressure tap(s) using a 5/16" ID hose.
- 4) Light the pilot and turn the valve to "ON" position.
- 5) The pressure check should be carried out with the unit burning and the setting should be within the limits specified on the safety label.
- 6) When finished reading manometer, turn off the gas valve, disconnect the hose and tighten the screw (clockwise) with a 1/8" flat screwdriver. **Note: Screw should be snug, but do not over tighten.**

SIT Valve Description

- 1) Gas on/off knob
- 2) Manual high/low adjustment
- 3) Pilot Adjustment
- 4) Thermocouple Connection - *option*
- 5) Outlet Pressure Tap
- 6) Inlet Pressure Tap
- 7) Pilot Outlet
- 8) Main Gas Outlet
- 9) Alternative TC Connection Point

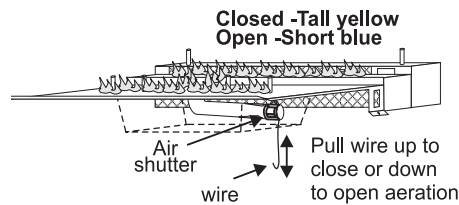


GAS INSERT AERATION SYSTEM

The air shutter can be adjusted by moving the adjusting wire up or down. The wire is accessed through the bottom louver opening. Open the air shutter for a blue flame or close for a yellow flame. The burner aeration is factory set but may need adjusting due to either the local gas supply or altitude.

Minimum Air Shutter Opening:

1/8"	Natural Gas
1/4"	Propane



CAUTION: Carbon will be produced if air shutter is closed too much.

Note: Any damage due to carboning resulting from improperly setting the aeration controls is NOT covered under warranty.

Note: Aeration Adjustment should only be performed by an authorized FPI Installer at the time of installation or service.

OPTIONAL BRICK PANEL

- 1) Unwrap the brick pattern panels from the protective wrapping.
- 2) Remove the glass front if it is already installed (see manual).
- 3) Put the rear brick panel flat against the back of the unit.
- 4) Before installing the side brick panels, loosen the screws for the brick tabs enough so that you can slide the brick tabs on to the screws easily but that the tabs are secure. For the location of the side brick tab screws see diagram 1.

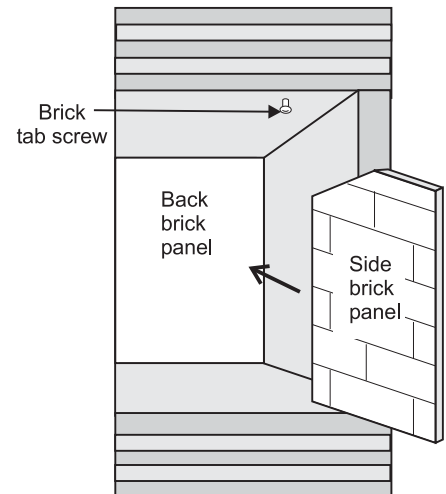


Diagram 1

- 5) Remove the brick tabs and slide the side brick panels into position. Install the brick tabs. See diagrams 1 and 2.

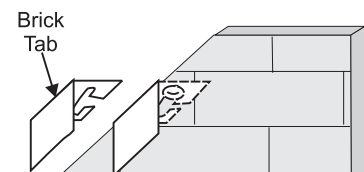
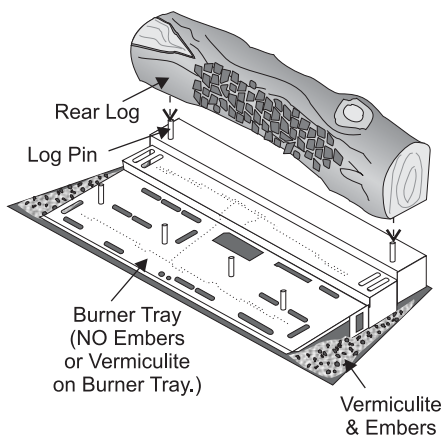


Diagram 2

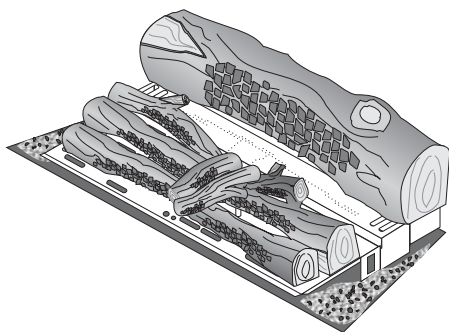
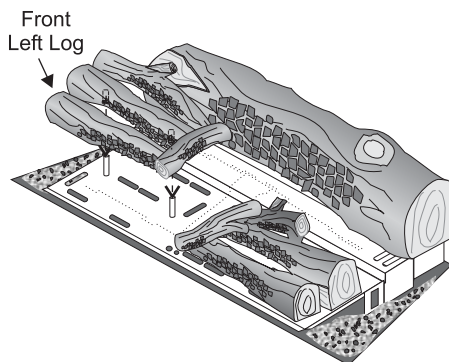
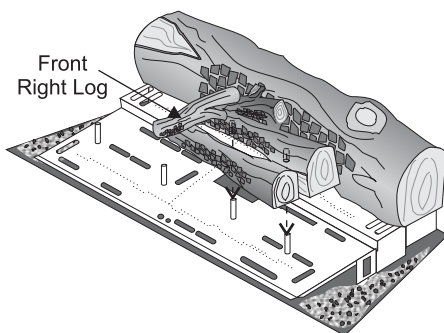
LOG INSTALLATION

WARNING: Dangerous operating conditions may occur if these logs are not positioned in their correct certified locations. Read the following instructions carefully and refer to the attached diagram.

- 1) Remove the logs from the box and carefully unwrap them. The logs are fragile, handle with care. Do not force into position.
- 2) Sprinkle the vermiculite and ember on the sides of the firebox base.
- 3) Place the rear log on the rear log support at the back of the unit with the flat side of the log facing the back of the unit. Gently push the log down onto the pins.

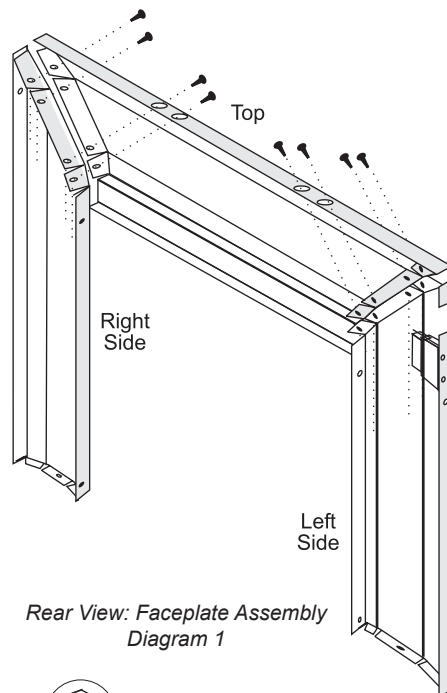


- 4) Place the front logs in the unit, aligning the holes on the underside of the logs with the log support pins in the front of the unit. Carefully push the logs down onto the pins.
(Hint: Install the front right side first.)

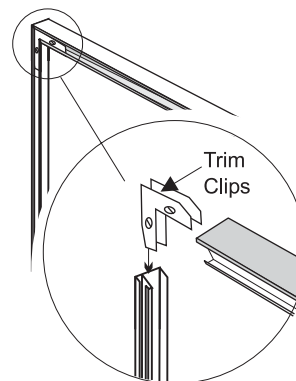


- 5) Separate platinum embers (supplied with packaged manual) and spread loosely in front of and inbetween the front logs and in front of the rear log on the burner. Avoid stacking platinum embers.

- 6) Install the door and louvers.



Rear View: Faceplate Assembly
Diagram 1



Rear View: Trim Assembly
Diagram 2

FACEPLATE & TRIM INSTALLATION

- 1) Lay the faceplate panels flat, face down on something soft so they don't scratch.
- 2) Take the top faceplate and align the holes in it with the holes in the side panels. Using the screws provided, attach from the top of the panel (the holes in the top panel are slightly larger than the holes in the side panel to facilitate easier installation). Diagram 1.

Hint: Don't tighten the screws down completely at this point, continue on with steps 3 and 4 and do a trial fit to the unit. Make any necessary adjustments and when it fits properly then tighten down the screws.

- 3) Using the connectors provided, join the left side trim (with the ON/OFF switch) to the top trim. Diagram 2. Connect the right side trim to the top trim.
- 4) Place the trim on the assembled faceplate panels, aligning the wire connections from the switches with the notch on the left side panel.

- 5) Connect the fan switch wires by taking the black and red wires with the male ends (in the grey harness) and connect them with the wire connectors from the fan speed control.
- 6) Connect the ON/OFF switch wires by taking the black and red wires with the female ends and connect them to the ON/OFF switch.
- 7) Tuck the wires into the faceplate to keep them away from the insert using the clip provided. Attach the clip to the rear of the faceplate to ensure that the wires do not touch the side of the unit. Diagram 3.
- 8) The power cord should be run behind the faceplate panel.

INSTALLATION

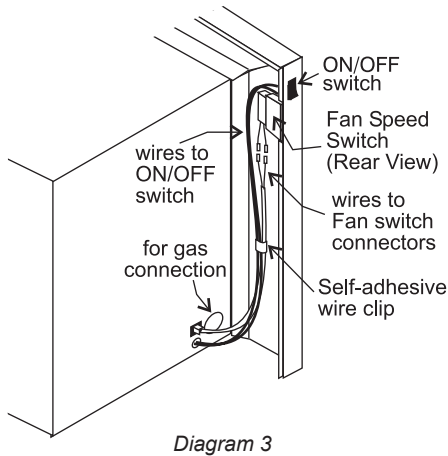


Diagram 3

- 9) Attach the brass trim to the faceplate by drilling a 1/8" hole through into the faceplate using the hole in the trim as a guide. Fasten the trim to the faceplate panels using the plated screws. Diagram 4.

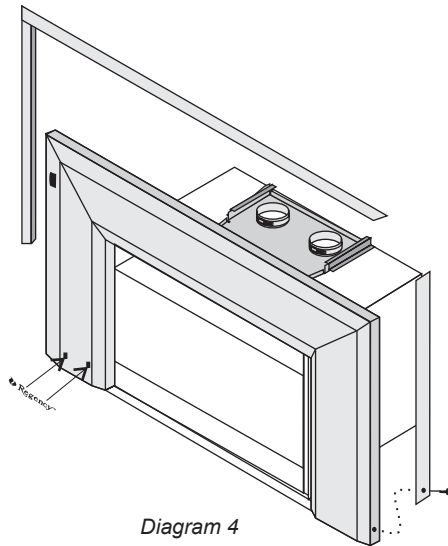


Diagram 4

- 10) Attach the faceplate panels to the insert body using the 4 remaining black screws. Diagram 5.

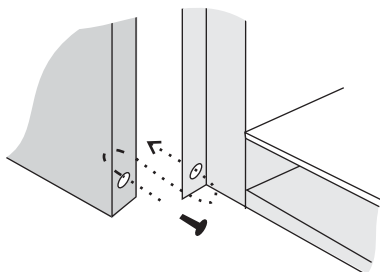


Diagram 5

- 11) Push the Regency logo plate into the two holes in the bottom left corner of the faceplate. See Diagram 4.

STANDARD FLUSH DOOR

The standard flush door comes with a black frame. To install the frame, simply hook the top door flange onto the top of the unit and swing the door towards the unit, diagram 6. Be careful that the glass gasket does not roll up; there must be a gap between the gasket and the door lip to ensure that the door sits securely on the unit. Diagram 7.

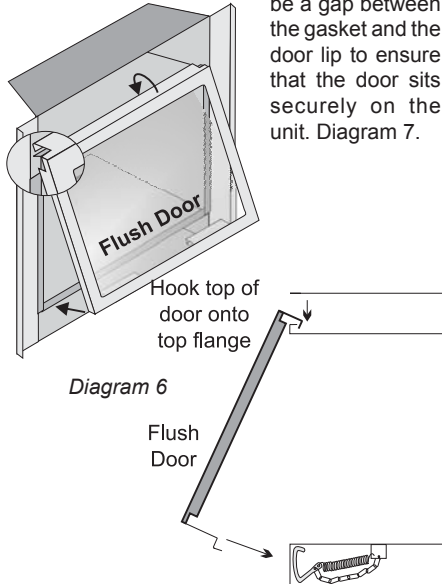


Diagram 6

Diagram 7

Use the hook to pull the spring out until you can put the hook into the slot on the bottom door bracket. Repeat for 2nd spring. See diagram 8.

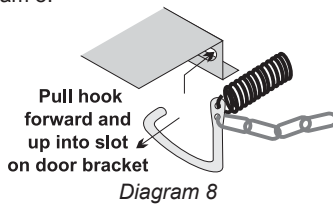
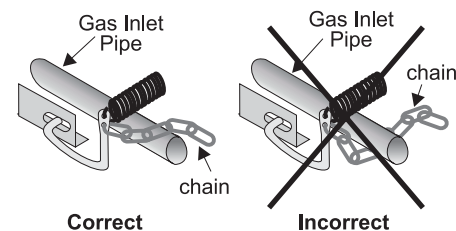


Diagram 8

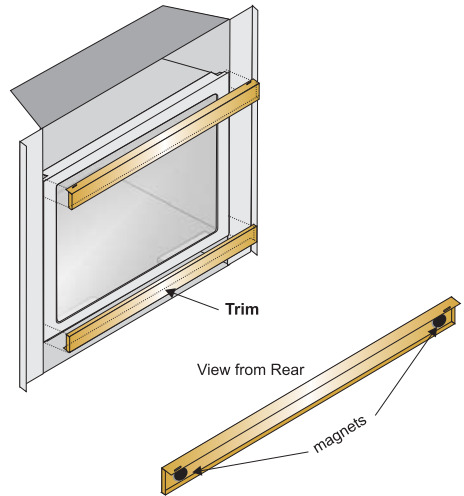
To remove the flush door, reverse the above steps.

NOTE: The chain must rest on **TOP** of the gas inlet pipe never under it.



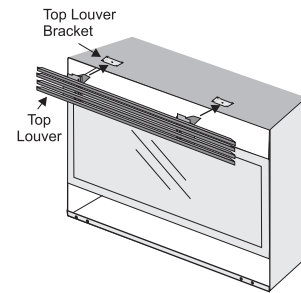
OPTIONAL FLUSH TRIM

Attach 2 round magnets to the back of the top trim piece and the other 2 to the bottom trim piece, then attach trim to the top and bottom of Flush door.

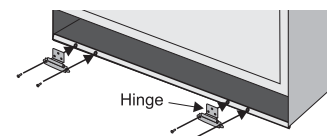


FLUSH LOUVERS

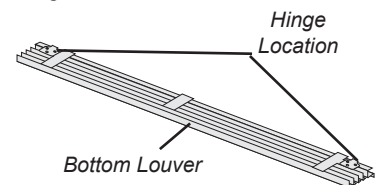
- 1) The top louver is held in place by friction fit, if the louver needs to be adjusted; bend the bracket out as shown in the diagram.



- 2) Install the Spring Hinges on the left and right side of the bottom of the Firebox using 2 screws per hinge.



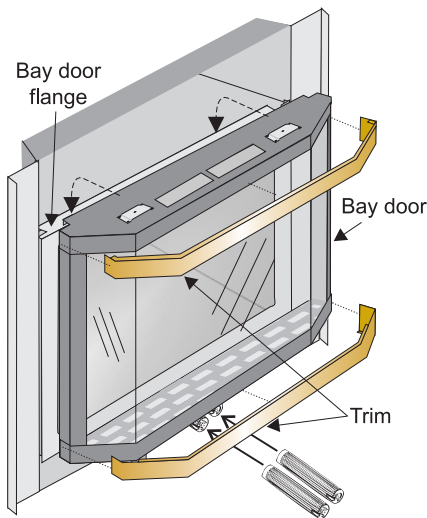
- 3) Place the Bottom Louver near the hinge. Flip hinge over the Bottom Louver and secure using 3 screws.



OPTIONAL BAY DOOR

The Bay louvers MUST be used with the Bay glass option.

The optional Bay door is an overlay on the flush front. The standard flush door and glass must remain on the unit. Hook the top of the bay door over the flush door flange and swing the bottom against the bottom flange of the flush door. Press down on the Bay Bottom bracket and push in until it clips behind the bottom of the flush front.



OPTIONAL BAY TRIM

Attach 4 supplied magnets each to the back of the top and bottom trim pieces, and attach trim to the top and bottom of Bay door. See diagrams 3 and 4.

View from Rear

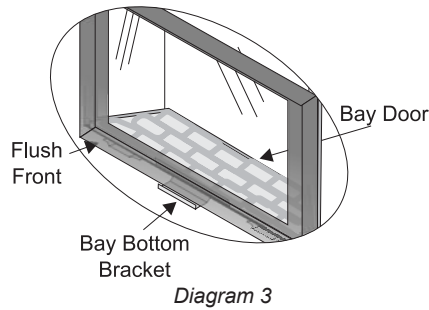


Diagram 3

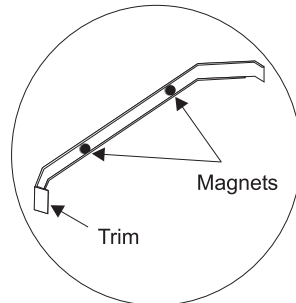
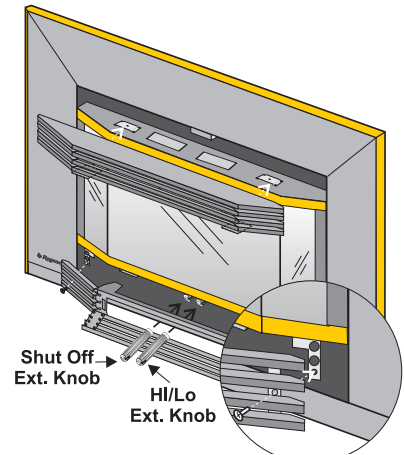


Diagram 4

- Slide the valve extension knobs onto the valve knobs. Match each extension knob with the corresponding valve knob. **Extension knobs are for Bay Front installations only.**

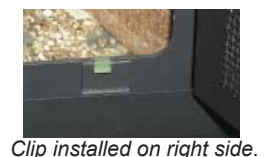
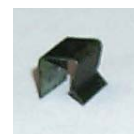


DOUBLE SCREEN DOORS

- Pull out the top louver.
- Center the screen door and hook over the flush door.



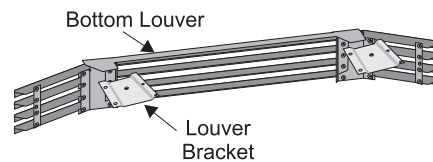
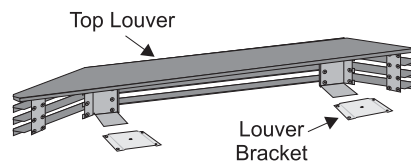
- Open the screen door(s) and secure the screen door to the flush door front with 2 clips on the bottom left and right side.



Clip installed on right side.

BAY LOUVERS

- Install top louver by sliding the two bracket clips into the brackets located on top of the bay door. See below. The fitted louver leaves a small gap between faceplate bottom and louver top.



- Install bottom louver by sliding the two bracket clips into the brackets located underneath the bay door. Secure with 1 screw into each Bottom Louver Mounting Bracket as per diagram below. Use the bottom hole in the bracket.

Removing Bay Door

To remove **only the Bay Door** - use a screwdriver to unclip the Bay Bottom bracket from the flush door and then swing up and unhook from the top flush door flange.

To remove the **Bay Door & the Flush Front together**, pull the hook from the slot in the bottom door bracket under the unit (see Standard Flush Door instructions above). Then pull the Bay Door and Flush door out and lift off of the flange at the top of the unit.

Note: If any maintenance etc. must be done in the firebox, first remove the Bay louvers and door.

INSTALLATION

THE KENSINGTON FRONT INSTALLATION

IMPORTANT: Please use the gloves provided when handling the Kensington Front to avoid fingerprints.

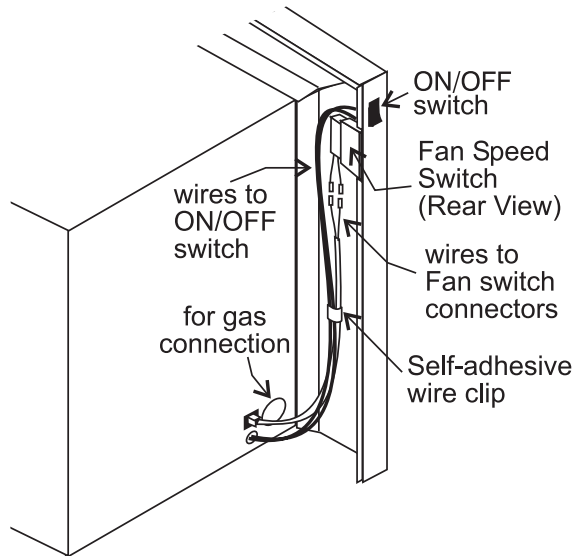
- 1) Place the Kensington Front up against the unit, but do not secure. Make the following wire connections:

Connect the fan switch wires by taking the black and red wires with the male ends (in the grey harness) and connect them with the wire connectors from the fan speed control.

Connect the ON/OFF switch wires by taking the black and red wires with the female ends and connect them to the ON/OFF switch.

Tuck the wires into the faceplate to keep them away from the insert using the clip provided. Attach the clip to the rear of the faceplate to ensure that the wires do not touch the side of the unit.

The power cord should be run behind the faceplate panel.

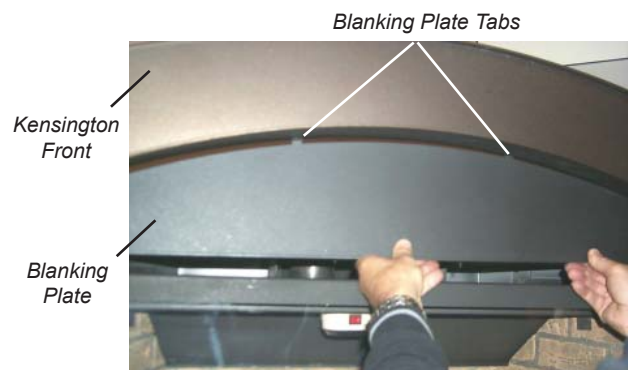


- 2) Mount the Kensington Front onto the firebox by securing in place using 4 screws, 2 per side.



Left Side Shown

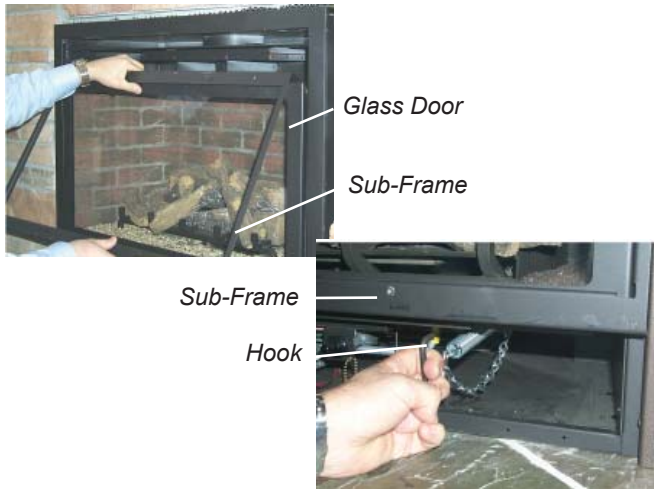
- 3) Slide the Tabs on the Blanking Plate into the slots located on Front and secure using 2 screws.



THE KENSINGTON FRONT INSTALLATION

2-Panel Door Installation:

- 1) Install the Sub-Frame by hooking the top flange onto the top of the Glass Door and swing the Sub-Frame towards the unit. Pull out the hooks which already secure the Glass Door and place them thru the holes in the bottom of the Sub-Frame to secure both the Glass Door and Sub-Frame in place together.

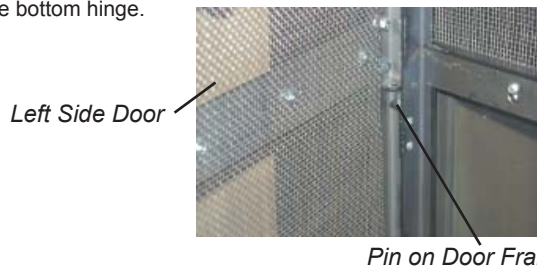


- 2) Mount the 2-panel Door Frame to the flange on Sub-Frame, ensuring to line up holes. Secure using the 6 screws provided.



- 3) Hook the Left Side Screen Door to the Door Frame by placing the door hinges (top & bottom) over the pins on the Door Frame. Repeat for Right Side Screen Door.

Note: It will be easier to put the Screen Door in place by starting with the bottom hinge.

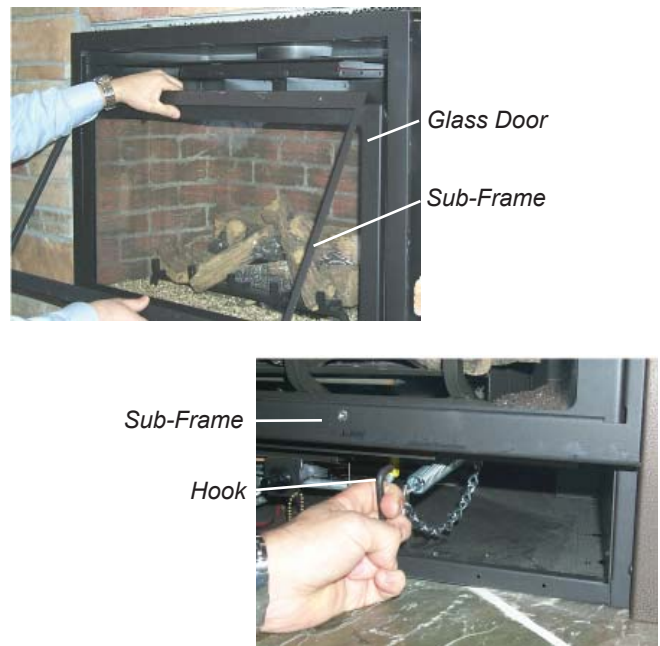


Note: If you find that the Left or Right Side Screen Door is lower than the other, use the spacer provided to help align the Doors.

The spacer is to be placed over the bottom pin before installing the Screen Door.

3-Panel Door Installation:

- 1) Install the Sub-Frame by hooking the top flange onto the top of the Glass Door and swing the Sub-Frame towards the unit. Pull out the hooks which already secure the Glass Door and place them thru the holes in the bottom of the Sub-Frame to secure both the Glass Door and Sub-Frame in place together.



- 2) Mount the 3-panel Screen Door / Frame Assembly to the flange on Sub-Frame, ensuring to line-up holes. Secure using the 4 screws provided.



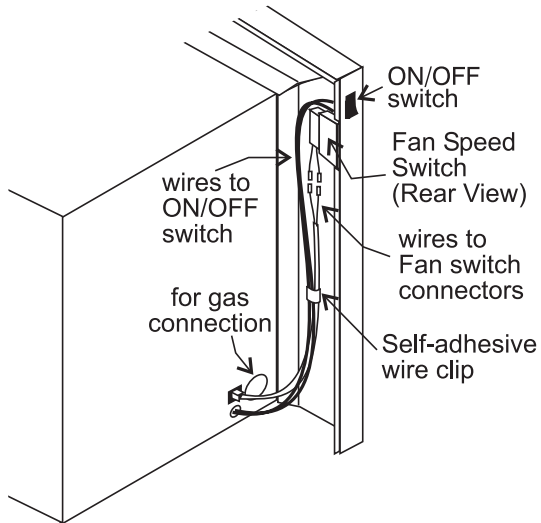
INSTALLATION

FULL SCREEN DOORS

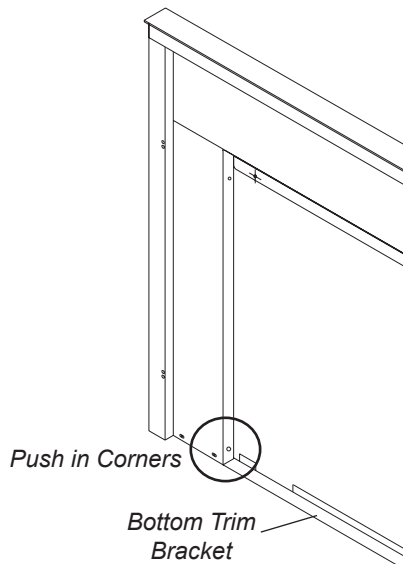
- 1) Hold the full screen faceplate up against the unit in order to make the following wire connections.

Pull the ON/OFF connector wires thru the box and connect them to the switch.

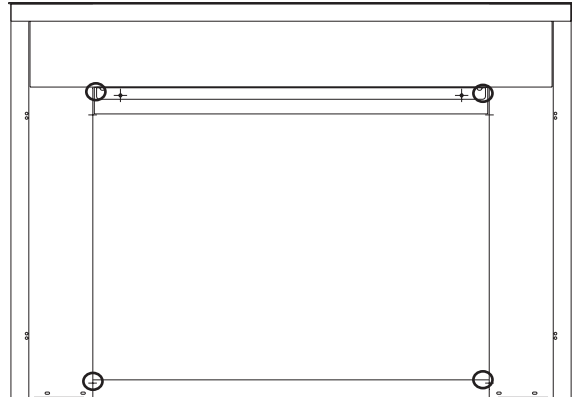
Connect the fan switch wires with the wire connectors from the fan speed control. Place clips over wires and tuck into side trim.



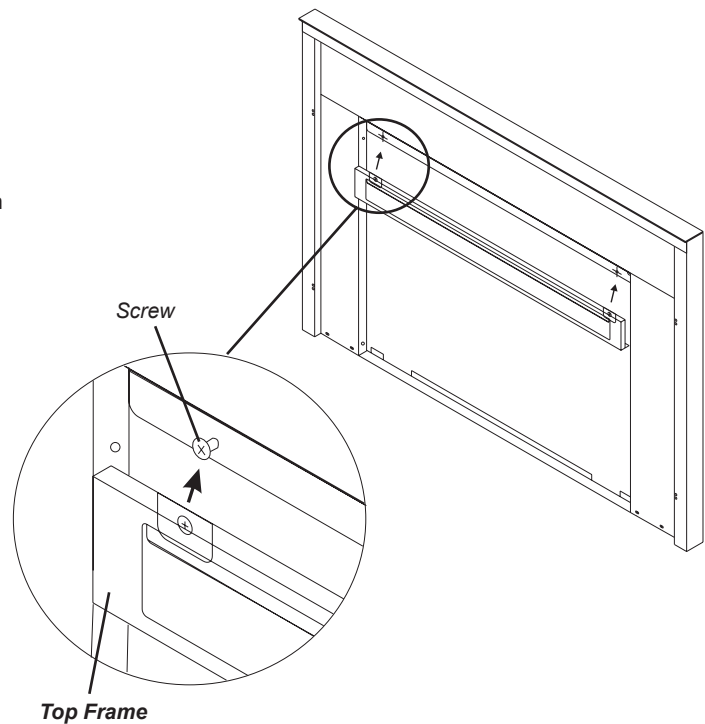
- 2) Lift the unit up slightly and push down on the corners of the Bottom Trim Bracket and slide under unit.



- 3) Completely secure faceplate to the unit by securing 4 screws to the Left and Right Side Trim.

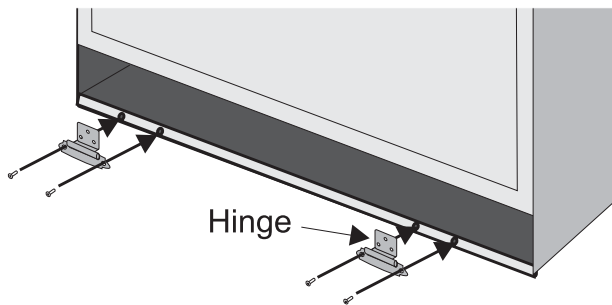


- 4) Secure the Top Frame by sliding it on the screws at the top of the full screen door. It is held in place by magnets.

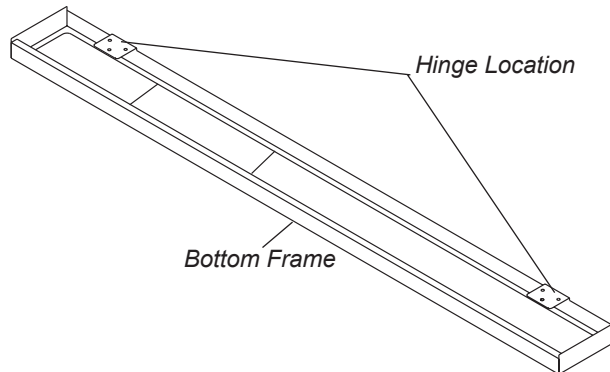


INSTALLATION

- 5) Install Spring Hinges to the Left and Right Side of the bottom of the firebox using 2 screws per hinge.

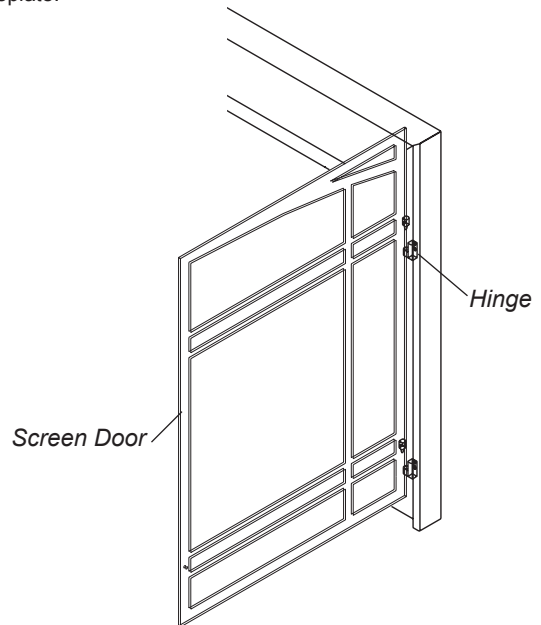


- 6) Place Bottom Frame near hinge. Flip hinge over Bottom Frame and secure with 3 screws each.



- 7) Install the Left and Right Side Screen Doors by placing over top of the hinges on the faceplate.

Hold the door at a 45 degree angle to avoid scratching the faceplate.



- 8) Close screen doors.

INSTALLATION

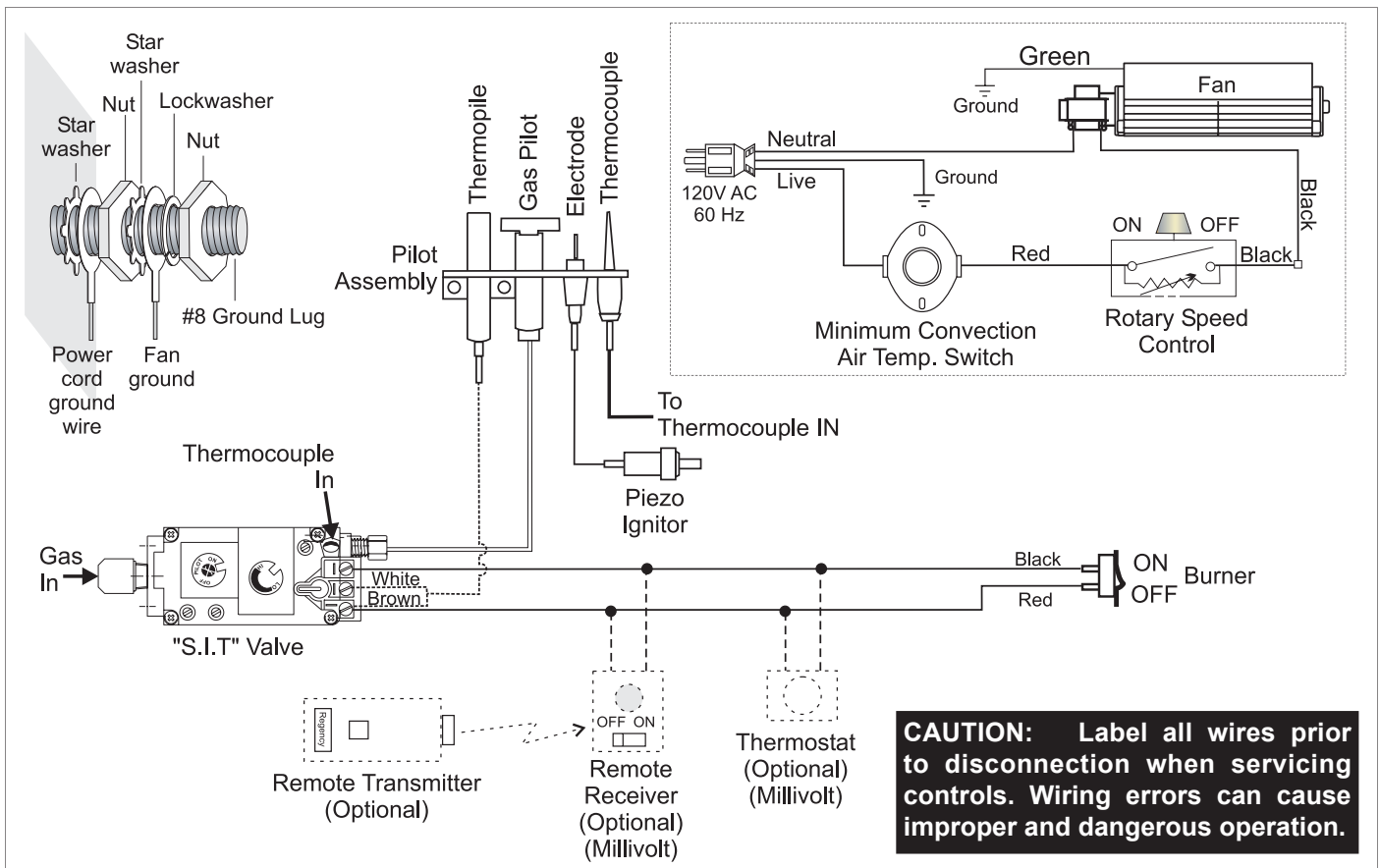
WIRING DIAGRAMS

This heater does not require a 120V A.C. supply for operation. However, a 120V A.C. power supply is needed for the fan/blower operation.

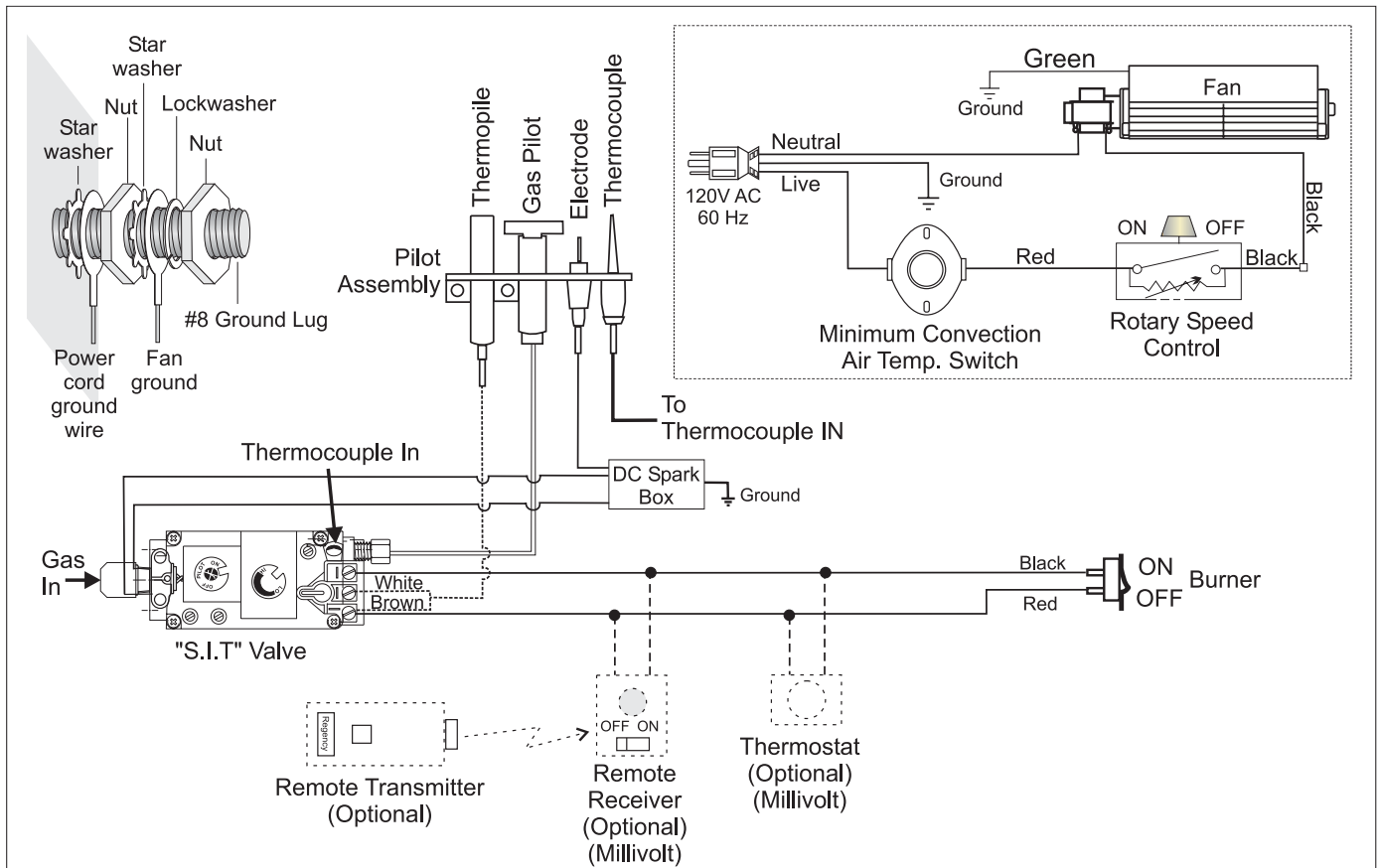
Caution: Ensure that the wires do not touch any hot surfaces and are away from sharp edges.

WARNING: Electrical Grounding Instructions
 This appliance is equipped with a three pronged (grounding) plug for your protection against shock hazard and should be plugged directly into a properly grounded three-prong receptacle. Do not cut or remove the grounding prong from this plug.

For NATURAL GAS Units and Units NOT Equipped with DC Spark Boxes



For PROPANE Units and Units Equipped with DC Spark Boxes



OPTIONAL REMOTE CONTROL

Use the FPI Remote Control Kit approved for this unit. Use of other systems may void your warranty.

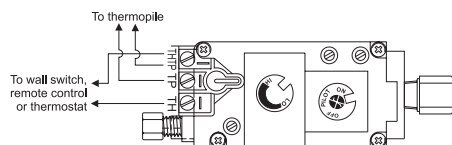
The remote control kit comes with a hand held transmitter, a receiver and a wall mounting plate.

- 1) Choose a convenient location on the wall to install the receiver and the receptacle box (protection from extreme heat is very important). Run wires from the fireplace to that location. Use Thermostat Wire Table.

- 2) Connect the wires as per the wiring diagrams below.

CAUTION
Do not connect the millivolt remote control wires to the 120V wires.

- 3) Install 3 AAA alkaline batteries in transmitter and 4 AA alkaline batteries in the receiver. Install the receiver and its cover in the wall. Switch the remote receiver to "remote" mode. The remote control is now ready for operation.



OPTIONAL WALL THERMOSTAT

A wall thermostat may be installed if desired, follow the wiring diagram below. Note: the wires are connected to the "TH" on the gas valve. Use the table below to determine the maximum wire length. FPI offers an optional programmable thermostat but any 250-750 millivolt rated non-anticipator type thermostat that is CSA, ULC or UL approved may be used.

It is recommended that the thermostat be installed on an interior wall.

CAUTION
Do not connect the millivolt wall thermostat wires to the 120V wires.

OPERATING INSTRUCTIONS

Thermostat Wire Table

Recommended Maximum Lead Length (Two-Wire) When Using Wall Thermostat (CP-2 System)	
Wire Size	Max. Length
14 GA.	50 Ft.
16 GA.	32 Ft.
18 GA.	20 Ft.
20 GA.	12 Ft.
22 GA.	9 Ft.

FINAL CHECK

Before leaving this unit with the customer, the installer must ensure that the appliance is firing correctly. This includes:

- 1) Locking the appliance to ensure the correct firing rate (rate noted on label) at 15 minutes.
- 2) If required, adjusting the primary air to ensure that the flame does not carbon. First allow the unit to burn for 15 min. to stabilize.
- 3) Check for proper draft.

CAUTION

Any alteration to the product that causes sooting or carboning that results in damage to the exterior fascia is not the responsibility of

FIRST FIRE

The first fire in your insert is part of the paint curing process. To ensure that the paint is properly cured, it is recommended that you burn your fireplace for at least four (4) hours the first time you use it with the fan on. When first operated, the unit will release an odour caused by the curing of the paint, the burning off of any oils remaining from manufacturing. Smoke detectors in the house may go off at this time. Open a few windows to ventilate the room for a couple of hours.

The glass panel may require cleaning after the unit has cooled down.

DO NOT ATTEMPT TO CLEAN THE GLASS WHILE IT IS HOT.

Note: When the glass is cold and the appliance is lit, it may cause condensation and fog the glass. This condensation is normal and will disappear in a few minutes as the glass heats up.

DO NOT BURN THE APPLIANCE WITHOUT THE GLASS FRONT IN PLACE.

During the first few fires, a white film may develop on the glass front as part of the curing process. The glass should be cleaned or the film will bake on and become very difficult to remove. Use a non-abrasive cleaner and NEVER clean the glass while it is hot.

OPERATING INSTRUCTIONS

- 1) Read and understand these instructions before operating this appliance.
- 2) Check to see that all wiring is correct and enclosed to prevent possible shock.
- 3) Check to ensure there are no gas leaks.
- 4) Make sure the glass in the door frame is properly positioned. Never operate the appliance with the glass removed.
- 5) Verify that the venting and cap are unobstructed.
- 6) Ensure that the brick panels, if used, are installed.
- 7) Verify log placement. If the pilot cannot be seen when lighting the unit, the logs have been incorrectly positioned.
- 8) The unit should never be turned off, and on again without a minimum of a 60 second wait.

LIGHTING PROCEDURE

IMPORTANT
To ignite or reignite the pilot, you must first release the tension springs below the door.

NOTE: For all propane units and units equipped with electric spark boxes, see "Copy of Lighting Plate Instructions" section for more details.

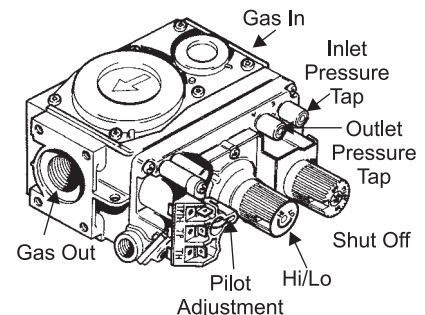
Only when the pilot holds, without pressure being applied to the control knob, reapply the tension springs to the door. The unit **must not** be operated with the tension springs unattached.

IMPORTANT: Gas on/off knob cannot be turned from "PILOT" to "OFF" unless it is partially depressed.

- 1) Turn burner OFF using "ON/OFF" switch.
- 2) Turn gas control knob so indicator points to "OFF" position and allow 5 minutes for any gas in the combustion chamber to escape.
- 3) Turn gas control knob counterclockwise so indicator points to the "PILOT" position. Depress the gas control knob fully. Depress the ignitor button several times until the pilot lights. After approximately one minute, release the gas control knob. The pilot flame should continue to burn. If the pilot does not remain lit, repeat operation allowing a longer period before releasing gas control knob.
- 4) When the pilot stays lit, turn the gas knob further counterclockwise to the "ON" position.
- 5) Use the wall switch, thermostat or remote control to turn on the unit.
- 6) Rotate the flame height regulator to adjust the flame height higher or lower.

SHUTDOWN PROCEDURE

- 1) Use the wall switch, thermostat or remote control to turn off the main burner.
- 2) Turn the main gas control clockwise to the "OFF" position to turn off the pilot.
- 3) Turn off all electric power to appliance if service is to be performed.



COPY OF LIGHTING INSTRUCTION PLATE

You do not follow these instructions exactly, a fire or explosion using property damage, personal injury or loss of life. Improper adjustment, alteration, service or maintenance can cause injury or damage. Refer to the owner's information manual provided with the appliance. For assistance or additional information consult a qualified service agency or gas supplier.

Appliance has a pilot which must be lighted by hand. When lighting the pilot, follow these instructions exactly.

Smell all around the appliance area for gas. Be sure to smell next to the floor because gas is heavier than air and will settle on the floor.

IF YOU SMELL GAS

Do not light any appliance.

Do not use any electric switch, do not use any phone in your building.

Call your gas supplier from a neighbour's phone. Follow the gas supplier's instructions.

If you cannot reach your gas supplier, call the fire department.

Do not attempt to hand to push in or turn the gas control knob. Never use tools. If the knob will not turn by hand, don't try to repair it, call a qualified service technician. Force or attempted repair can result in a fire or explosion.

Do not use the appliance if any part has been under water. Immediately call a qualified service technician to inspect the appliance and to replace any part of the control system and any gas control valve that has been under water.

Appliance needs fresh air for safe operation and must be installed so there are provisions for combustion and ventilation air.

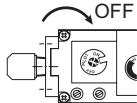
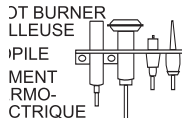
Do not use the appliance while in operation. Do not touch. Severe Burns may result. Due to high temperatures keep children, clothing and furniture, gasoline and other flammable vapors away. Keep burner and control compartment clear of clutter. Read the lighting and operating instructions accompanying appliance.

LIGHTING INSTRUCTIONS

IMPORTANT! Read the safety information above on this label.

FOR UNITS NOT EQUIPPED WITH ELECTRIC SPARK BOXES:

Turn the gas control knob slightly and turn clockwise to "OFF". Knob cannot be turned from "OFF" unless knob is pushed in slightly. Do not force.



Push the pilot burner to clear out any gas. If you then smell gas STOP! Follow step "B" in the Safety Information on this label. If you don't smell gas, go to the next step.

Turn the gas control knob counterclockwise to "PILOT".

Turn the knob all the way and hold in. Continually push and release the black button on spark electrode until the pilot lights. Continue to hold the control knob in for about 1/2 minute after the pilot is lit. The knob will pop back up. Pilot should remain lit. If it goes out, repeat steps 1) to 4).

If the pilot does not pop up when released, stop and immediately call your service technician or gas supplier. If the pilot will not stay lit after several tries, turn the gas control knob to "OFF" and call your service technician or gas supplier.

Turn the gas control knob counterclockwise to "ON".

Turn the knob to operate main burner.

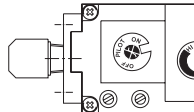
PANE UNITS AND UNITS EQUIPPED WITH ELECTRIC SPARK BOXES:

Turn the gas control knob slightly and turn to "PILOT" position.

Turn the knob all the way and hold in until the pilot lights up. Continue to hold the control knob in for about 20 seconds after the pilot is lit. Release knob.

Turn the gas control knob slightly and turn to "ON" position.

Turn the knob to operate main burner.



TO TURN OFF GAS APPLIANCE

Turn the knob to the "OFF" position.

Turn the gas control knob slightly and turn clockwise to "OFF". Do not force.

Do not use the appliance if service is to be performed.

Do not use the pilot during prolonged non use periods to conserve fuel.

REMOVE THIS INSTRUCTION PLATE 918-473a

AUTOMATIC CONVECTION FAN OPERATION

The fan operates automatically, turn the knob on the side of the faceplate to adjust to the desired speed. The fan will turn on as the stove comes up to operating temperature. After the unit has been turned off and the unit cooled to below a useful heat output range the fan will shut off automatically.

NORMAL OPERATING SOUNDS OF GAS APPLIANCES

It is possible that you will hear some sounds from your gas appliance. This is perfectly normal due to the fact that there are various gauges and types of steel used within your appliance. Listed below are some examples. All are **normal operating sounds** and should not be considered as defects in your appliance.

Blower:

FPI gas appliances use high tech blowers to push heated air farther into the room. It is not unusual for the fan to make a "whirring" sound when ON. This sound will increase or decrease in volume depending on the speed setting of your fan speed control.

Burner Tray:

The burner tray is positioned directly under the burner tube(s) and logs and is made of a different gauge material from the rest of the firebox and body. Therefore, the varying thicknesses of steel will expand and contract at slightly different rates which can cause "ticking" and "cracking" sounds. You should also be aware that as there are temperature changes within the unit these sounds will likely re-occur. Again, this is normal for steel fireboxes.

Blower Thermodisc:

When this thermally activated switch turns ON it will create a small "clicking" sound. This is the switch contacts closing and is normal.

Pilot Flame:

While the pilot flame is on it can make a very slight "whisper" sound.

Gas Control Valve:

As the gas control valve turns ON and OFF, a dull clicking sound may be audible, this is normal operation of a gas regulator or valve.

Unit Body/Firebox:

Different types and thicknesses of steel will expand and contract at different rates resulting in some "cracking" and "ticking" sounds will be heard throughout the cycling process.

MAINTENANCE

MAINTENANCE INSTRUCTIONS

- 1) Always turn the gas valve to off before cleaning. For relighting, refer to lighting instructions. Keep the burner and control compartment clean by brushing and vacuuming at least once a year. When cleaning the logs, use a clean soft paint brush as the logs are fragile and easily damaged.
- 2) Clean (never when unit is hot) appliance, door and louvers with a damp cloth. Never use an abrasive cleaner. The gold louvers (and optional gold door) may be scratched if abrasives are used to clean them. The heater is finished in a heat resistant paint and should only be refinished with heat resistant paint (not with wall paint). FPI uses StoveBrite Paint - Metallic Black #6309.
- 3) Make a periodic check of burner for proper position and condition. Visually check the flame of the burner periodically, making sure the flames are steady; not lifting or floating. If there is a problem, call a qualified service person.
- 4) The appliance and venting system must be inspected before use, and at least annually, by a qualified field service person, to ensure that the flow of combustion and ventilation air is not obstructed. During the annual service call, the burners should be removed from the burner tray and cleaned. Replace the embers but do not block the pilot.
- 5) Keep the area near the appliance clear and free from combustible materials, gasoline and other flammable vapours and liquids.

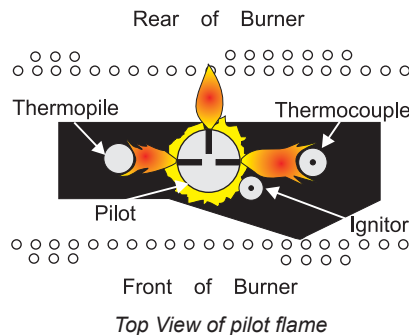
WARNING: CHILDREN AND ADULTS SHOULD BE ALERTED TO THE HAZARDS OF HIGH SURFACE TEMPERATURE AND SHOULD STAY AWAY TO AVOID BURNS OR CLOTHING IGNITION. YOUNG CHILDREN SHOULD BE CAREFULLY SUPERVISED WHEN THEY ARE IN THE SAME ROOM AS THE APPLIANCE.

CAUTION: ANY SAFETY SCREEN OR GUARD REMOVED FOR SERVICING AN APPLIANCE MUST BE REPLACED PRIOR TO OPERATING THE APPLIANCE.

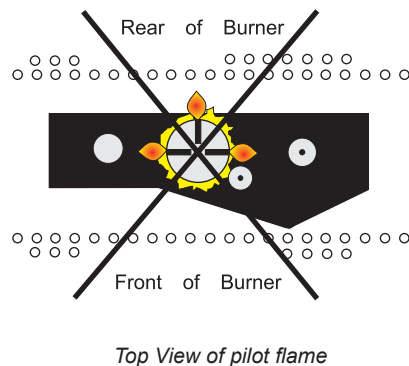
CLOTHING OR OTHER FLAMMABLE MATERIAL SHOULD NOT BE PLACED ON OR NEAR THE APPLIANCE.

- 6) Each time the appliance is lit, it may cause condensation and fog the glass. This condensation and fog is normal and will disappear in a few minutes as the glass heats up.
Never operate the appliance without the glass properly secured in place or with the door open.
- 7) Do not use this appliance if any part has been under water. Immediately call a qualified service technician to inspect the appliance and to replace any part of the control system and any gas control which has been under water.
- 8) Periodically check the pilot flames. Correct flame pattern has three strong blue flames: 1 flowing around the thermopile and 1 around the thermocouple, and 1 flowing across the rear of the burner (it does not have to be touching the burner).

Note: If you have an incorrect flame pattern, contact your FPI dealer for further instructions.



Incorrect flame pattern will have small, probably yellow flames, not coming into proper contact with the rear of the burner or thermopile.



GENERAL VENT MAINTENANCE

Conduct an inspection of the venting system semi-annually. Recommended areas to inspect as follows:

- 1) Check the Venting System for corrosion in areas that are exposed to the elements. These will appear as rust spots or streaks, and in extreme cases, holes. These components should be replaced immediately.
- 2) Remove the Termination Cap, and shine a flashlight down the Vent. Remove any bird nests, or other foreign material.
- 3) Check for evidences of excessive condensation, such as water droplets forming in the inner liner, and subsequently dripping out the joints. Continuous condensation can cause corrosion of caps, pipe, and fittings. It may be caused by having excessive lateral runs, too many elbows, and exterior portions of the system being exposed to cold weather.
- 4) Inspect joints, to verify that no pipe sections or fittings have been disturbed, and consequently loosened. Also check mechanical supports such as Wall Straps, or plumbers' tape for rigidity.

LOG REPLACEMENT

The unit should never be used with broken logs. Turn off the gas valve and allow the unit to cool before opening door to carefully remove the logs. The pilot light generates enough heat to burn someone. If for any reason a log should need replacement, you must use the proper replacement log. The position of these logs must be as shown in the diagram under Log Installation.

NOTE: Improper positioning of logs may create carbon build-up and will alter the unit's performance which is not covered under warranty.

GLASS GASKET

If the glass gasket requires replacement use glass gasket (Part # 936-265) for the Bay Front and a tadpole gasket for the Flush Front (Part # 936-155).

STEEL OR GOLD TRIM

The steel or 24 carat gold plated finish on the trim requires little maintenance, and need only be cleaned with a damp cloth. DO NOT use abrasive materials or chemical cleaners, as they may harm the finish and void the warranty.

Clean any fingerprints off before turning the unit on. If the top louvers start to discolour, check the door gasket seal and replace if necessary.

DOOR GLASS

Your FPI insert is supplied with high temperature, 5 mm Neoceram ceramic glass that will withstand the highest heat that your unit will produce. Do not abuse the glass by striking the surface or by slamming the door shut.

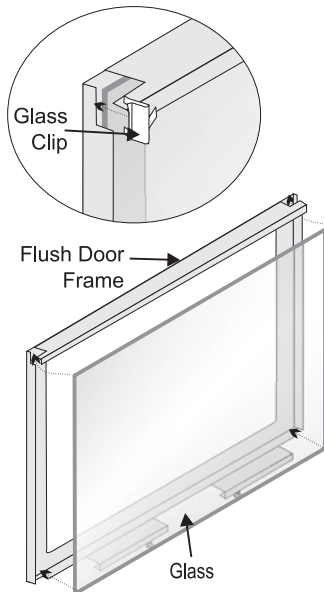
If your glass requires cleaning, we recommend using an approved glass cleaner available at all authorized dealers. **Do not use abrasive materials. Do not clean the glass when hot.**

In the event that you break your glass by impact, purchase your replacement from an authorized FPI dealer only, do not use substitute materials. Follow our step-by-step instructions for replacement. **Caution: Wear gloves when removing damaged or broken glass.**

Warning: Do not operate appliance with glass panels removed, cracked or broken. Replacement of the glass should be done by a licensed or qualified service person.

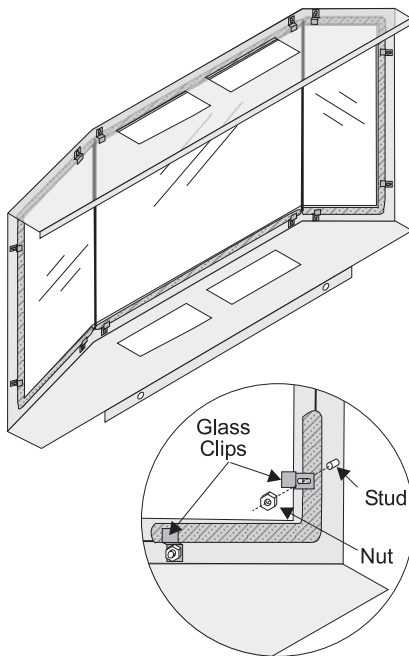
Flush Glass Replacement

Remove the flush door front. Remove the 4 glass clips from each corner. Slide in the new replacement glass. Push the 4 glass clips back onto the frame.



Bay Glass Replacement

- 1) Remove the door from the unit and place on a soft surface to prevent scratching.
- 2) Remove the nuts holding the glass clips in place and remove.
- 3) Replace the glass. **The glass must have gasketing around it.**
- 5) Reverse the previous steps, replace the glass clips and fasten with the nuts but do not over tighten, as this can break the glass.
- 6) Replace door on the stove and check the seal.

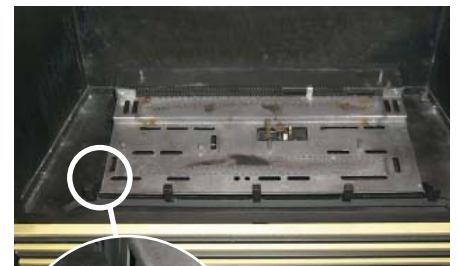


- 2) Unplug or disconnect power source to stove.
- 3) Remove glass front (See the "Standard Flush Door" section).
- 4) Remove logs.
- 5) Remove brick panels, if used.
- 6) Straighten the adjustment wire under the firebox base.



Straighten adjustment wire.

- 7) Remove the Burner/Rear Log Support assembly by removing the 2 screws (1 on each side) and sliding the assembly to the left to free the bottom brackets from the screws on the firebox base.



Left Side Burner Bracket

Burner/Rear Log Support Assembly: After removing the screws slide to the left to remove the assembly from the firebox base.

- 8) Lift the Burner/Rear Log Support assembly up and away from the orifice.



Burner Orifice

Lift Burner/Rear Log Support assembly up and away from the burner orifice.

- 9) Remove the 8 screws holding the Access Panel in place.

FAN MAINTENANCE

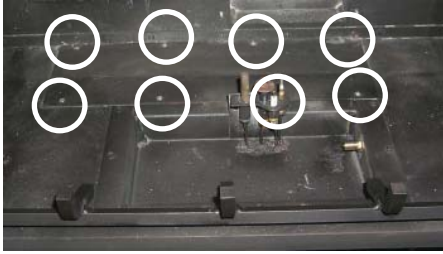
If your fan requires maintenance or replacement, access to the fan is through the plate on the floor of the firebox. **NOTE: the unit MUST NOT be operated without the fan access panel securely in place.**

Caution: Label all wires prior to disconnecting when servicing controls. Wiring errors can cause improper and dangerous operation. Verify proper operation after servicing.

To Remove Fan:

- 1) Turn the unit off and allow it to cool to room temperature.

MAINTENANCE



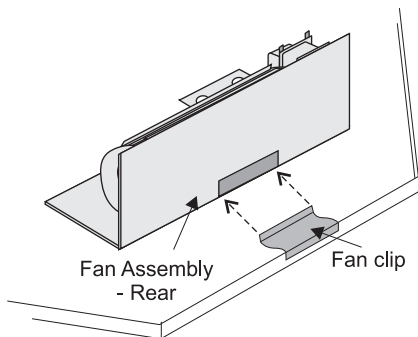
10) Unplug the wires from the fan motor (from inside the stove).



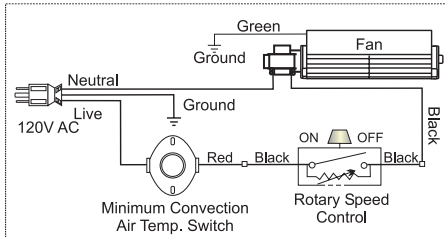
11) Remove the 2 screws from the fan bracket.



12) Pull Fan Assembly forward, to disengage the fan clip on the rear wall. Then lift the Fan Assembly up and pull through firebox opening.



13) Disconnect green wire from power cord.



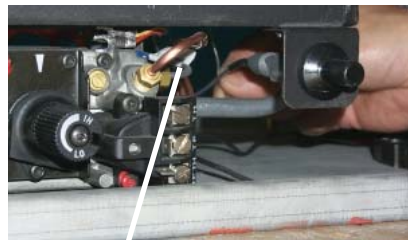
Replacing fan:

Reverse above steps.

Seal fan access panel using high temperature

REMOVING VALVE

- 1) Shut off the gas supply.
- 2) Remove the louvers (and bay door if it is on).
- 3) Open the flush door and remove the door.
- 4) Remove the logs and brick panels if installed.
- 5) Straighten the adjustment wire under the firebox base.



Straighten adjustment wire.

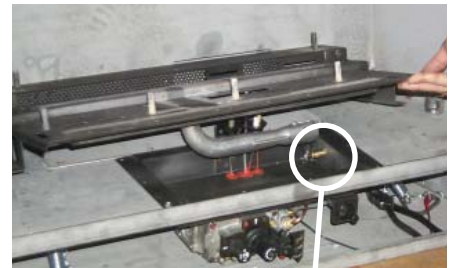
6) Remove the Burner/Rear Log Support assembly by removing the 2 screws (1 on each side) and sliding the assembly to the left to free the bottom brackets from the screws on the firebox base.



Burner/Rear Log Support Assembly: After removing the screws slide to the left to remove the assembly from the firebox base.

Left Side Burner Bracket

7) Lift the Burner/Rear Log Support assembly up and away from the orifice.



Burner Orifice

Lift Burner/Rear Log Support assembly up and away from the burner orifice.

- 8) Remove the Front Grate by removing the 2 screws.

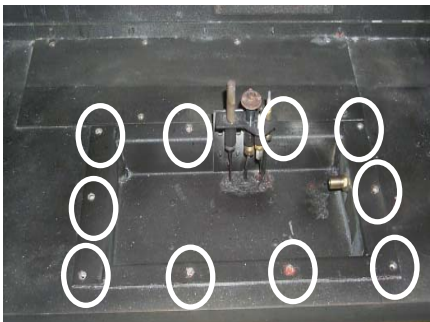


- 9) Disconnect the inlet gas line.

- 10) Disconnect the 2 TP wires and the 2 TH wires from the valve.



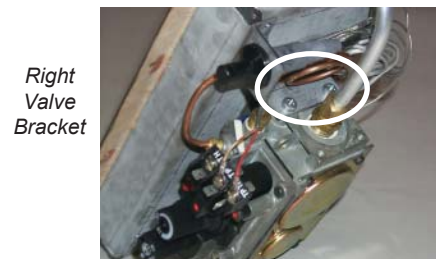
- 11) Remove the 10 Phillips head screws securing the valve access plate in place and then lift the entire assembly out.



- 12) Undo the pilot tube from the valve with a 7/16" wrench.
- 13) Undo the quick drop out thermocouple nut on the valve with a 9mm (metric) wrench.
- 14) Remove the Piezo ignitor wire and push button assembly.
- 15) Undo the "gas out" flare nut with a 13/16" wrench.
- 16) Undo the "gas out" flare fitting with an 11/16" wrench.
- 17) Remove the 4 Phillips head screws from the sides of the valve bracket and remove valve.



Left Valve Bracket



Right Valve Bracket



Hint: If you are using black pipe, ensure that there is a union by the valve, otherwise removal will be almost impossible.

INSTALLING VALVE

- 1) Attach the valve to the valve bracket with the 4 (m5x8 metric) screws provided.
- 2) Reconnect the "gas out" flare fitting with an 11/16" wrench.
- 3) Reconnect the "gas out" flare nut with a 13/16" wrench.
- 4) Install piezo ignitor push button assembly and reconnect wire.
- 5) Reconnect the quick drop out thermocouple nut with a 9mm wrench.
- 6) Reconnect the pilot tube nut with a 7/16" wrench.
- 7) Scrape off the old gasket from the floor of the firebox and from the valve access plate.
- 8) Install a new gasket and reinstall the valve assembly.

Note: Failure to install a new gasket may severely affect the appliance performance.

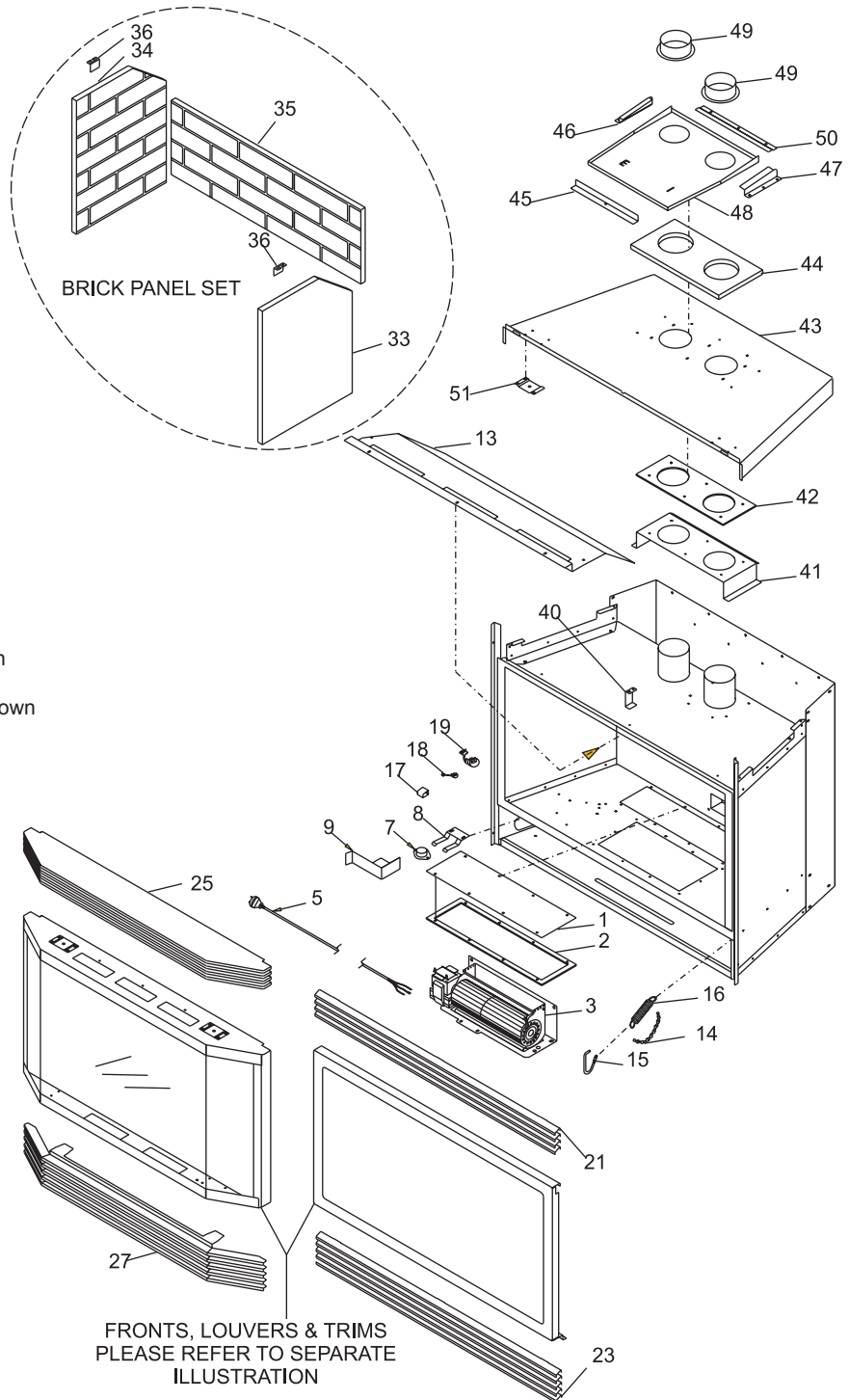
- 9) Reinstall the 10 hold down screws.
- 10) Hook up the 2 TP and 2 TH wires to the appropriate connections on the valve.
- 11) Reinstall the Front Grate.
- 12) Attach the burner cap to the burner tube and secure with the screw on the back of the cap.
- 13) Install Burner/Rear Log Support assembly and secure with the 8 screws.
- 14) Hook up the gas line and check for gas leaks with a soap and water solution or a gas leak detector. (Do not use open flame for leak testing.)
- 15) Fire up the unit temporarily
- 16) Check the manifold pressure.
- 17) Reinstall the logs and brick panels as needed.
- 18) Close the door and replace the louvers.
- 19) Fire up the unit again and check for proper flame appearance and glow on logs.

PARTS LIST

MAIN ASSEMBLY

Part #	Description
1) 320-009	Fan Access Plate
2) 320-079	Gasket - Fan Access Plate
320-517/P	Fan Assembly 120 V
3) 910-331/P	Fan Motor 120 V
5) 910-750	Power Cord
910-752	Wire Harness (Faceplate)
7) 910-142	Fan Auto On/Off Thermodisc
8) *	Thermodisc Bracket
9) 320-070	Fan Switch Cover
13) *	Baffle Plate
14) 948-045	#12 Jack Chain
15) 948-247	Door Handle
16) 948-025	Door Spring
17) *	Wire Holder Clip
18) *	Strain Relief
19) *	Grommet for Power Cord
320-924	Flush Louvers (Set) - Black/Gold
320-922	Flush Louvers (Set) - Black
320-925	Flush Louvers (Set) - Black/Steel
21) *	Top Flush Louver
23) *	Bottom Flush Louver
320-932	Bay Louvers (Set) - Black/Gold
320-934	Bay Louvers (Set) - Black
320-935	Bay Louvers (Set) - Black/Steel
25) *	Top Bay Louver
27) *	Bottom Bay Louver
320-901	Brick Panel Set - Standard Brown
320-902	Brick Panel Set - Standard Red
320-903	Brick Panel Set - Herringbone Brown
33) *	Brick Panel - Right
34) *	Brick Panel - Left
35) *	Brick Panel - Back
36) 400-090	Brick Clip
40) *	Top Support
41) *	Collar Support
42) 320-077	Collar Gasket
43) *	Stove Top
44) 420-048	Thermal Insulation
45) *	Adaptor Stop
46) *	Adaptor Holding Brkt - Left
47) *	Adaptor Holding Brkt - Right
48) 320-518	Flue Adaptor Assembly
50) *	Insulation Hold Down Bracket
51) *	Louver Hold Down - Top
918-528	Manual

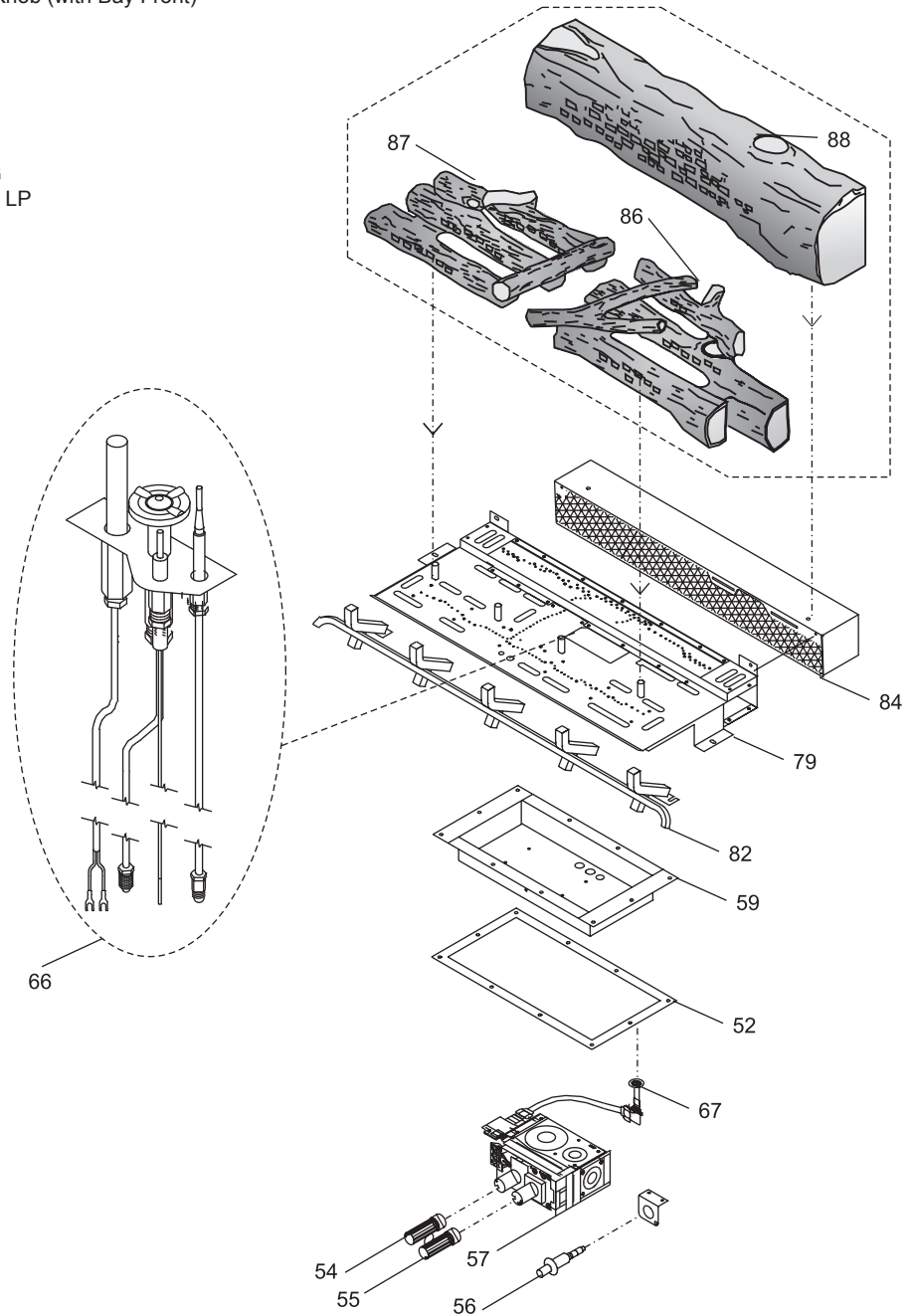
* Not available as a replacement part.



BURNER & LOG ASSEMBLY

Part #	Description
52) 320-078	Gasket - Valve Tray
54) 910-421	Pilot ON/OFF 3" Extension Knob (with Bay Front)
55) 910-422	Flame Hi/Low 3" Extension Knob (with Bay Front)
320-563/P	Valve Assembly - NG
320-564/P	Valve Assembly - LP
56) 910-190	Piezo Ignitor and Nut
57) 910-478	Valve - S.I.T. - NG/LPG
59)*	Valve Tray
66) 910-034	Pilot Assy-3 Flame-S.I.T.-NG
910-035	Pilot Assy - 3 Flame - S.I.T. - LP
67) 904-689	Orifice #33 - NG
904-641	Orifice #50 - LP
936-170	Orifice Gasket
79) 320-550	Burner Assy - NG
320-551	Burner Assy - LP
82) 320-001	Burner Grate
84) 320-034	Log Tray Rear
600-964	Log Set
86)*	Front Log - Right
87)*	Front Log - Left
88)*	Rear Log

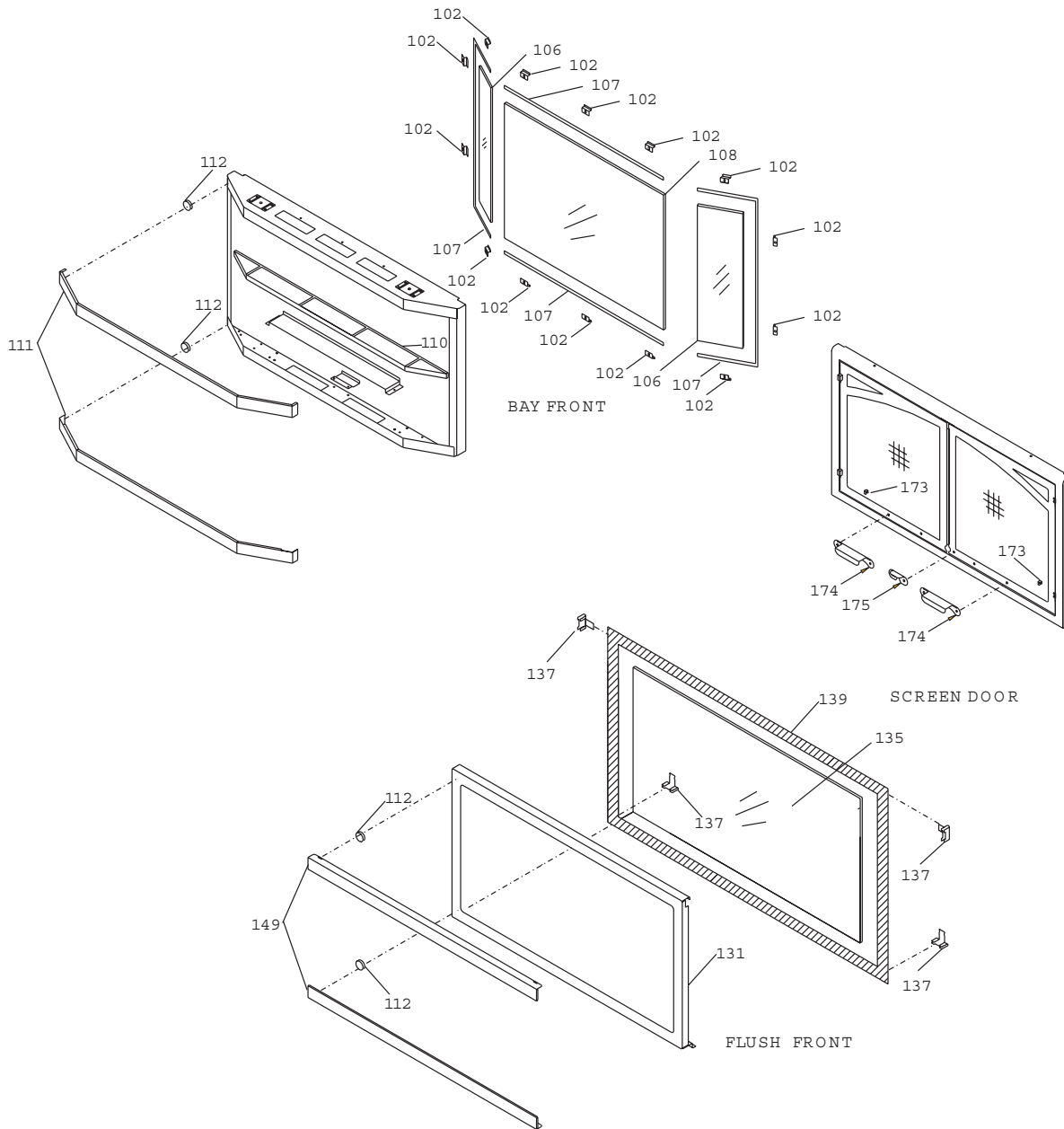
* Not available as a replacement part.



PARTS LIST

FLUSH DOOR AND BAY FRONT ASSEMBLY

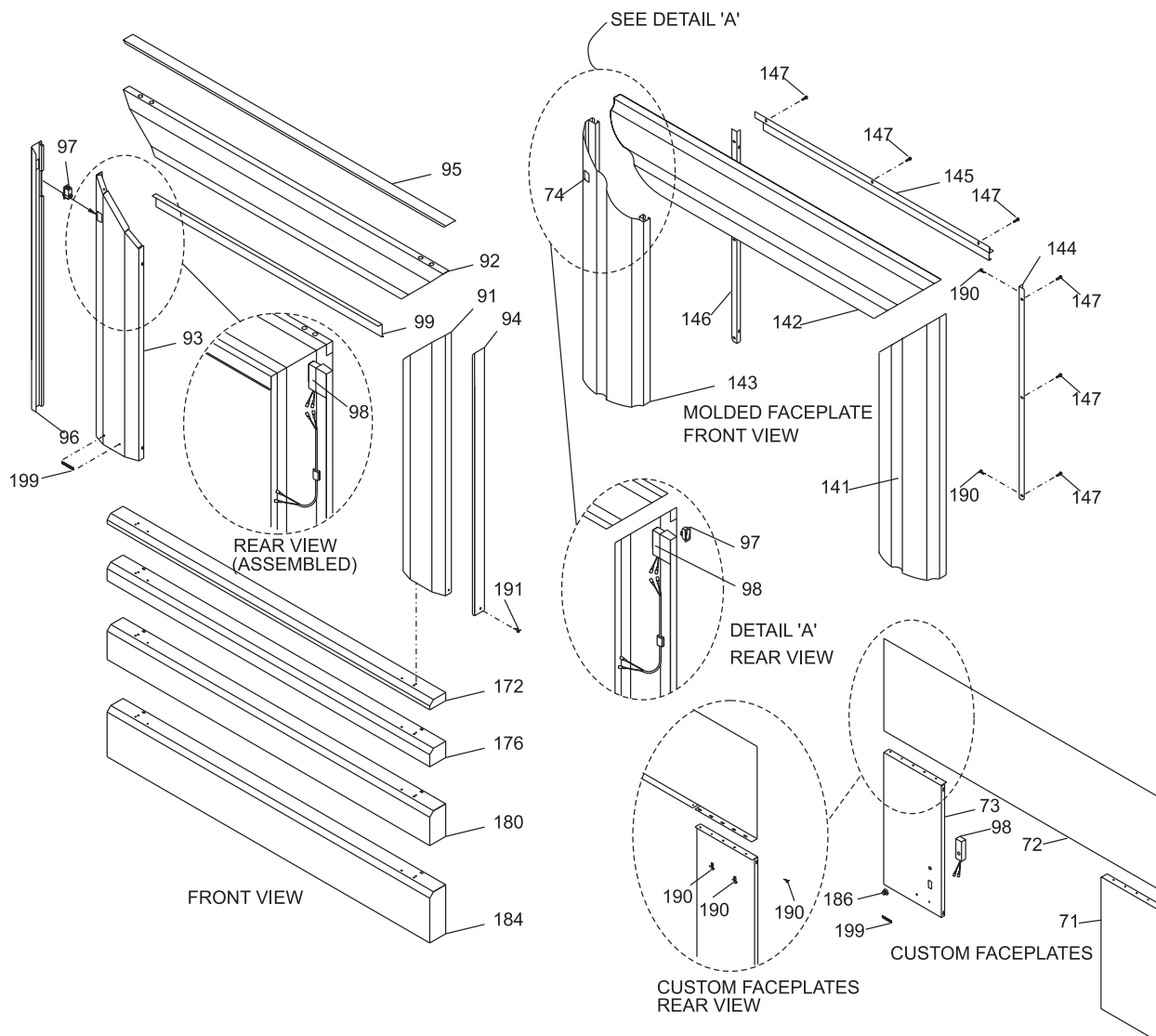
Part #	Description	Part #	Description
Bay Front		Flush Front	
320-930	Bay Front Complete	320-530	Flush Door Assy Complete with glass
102) *	Flush Glass Retainer	131) *	Flush Door Frame
106)	940-318/P Side Glass	135)	940-316/P Glass - Flush
107)	936-243 Gasket	137)	904-691 U-Clip
108)	940-317/P Center Glass	139)	936-155 Glass Gasket
			320-943 Double Door Screen Complete
111) *	Door Trim	173)	904-712 U-Clip for Frame
112)	904-196 Magnet 1" Round	174)	511-085 Door Handle
		175)	511-084 Door Latch
910-421	Pilot On/Off 3" Extension Knob	* Not available as a replacement part.	
910-422	Flame Hi/Low 3" Extension Knob		
320-936	Optional Bay Door Trim - Gold		



FACEPLATES, TRIMS, AND HEARTHTHS

Part #	Description	Part #	Description	
320-917	Complete Custom Faceplate (Set)	320-933	Molded Faceplate (Complete)	
71)*	Faceplate Side Right - Custom	141)*	Molded Faceplate - Right	
72)*	Faceplate Top - Custom	142)*	Molded Faceplate - Top	
73)*	Faceplate Side Left - Custom	143)*	Molded Faceplate - Left	
320-948	Faceplates and Trim (Complete) with Black Trim	144)*	Mounting Bracket - Right	
74) 904-569	Fan Speed Control Knob	145)*	Filler Bracket	
91)*	Faceplate Side - Right	146)*	Mounting Bracket - Left	
92)*	Faceplate - Top	147)*	Screw #8 - 3/4" Pan Head	
93)*	Faceplate Side - Left Assy			
320-553	Trim Set Packaged - Black	172)	320-940	Hearth Trim - 1"
94)*	Trim Side - Right	176)	320-942	Hearth Trim - 2"
95)*	Trim - Top	180)	320-944	Hearth Trim - 4"
96)*	Trim Side - Left Assy	184)	320-946	Hearth Trim - 6"
		186)	904-586	Speed Control Knob c/w Spring Clip
97) 910-246	Burner ON/OFF Switch	190)*	*	Screw #8 x 1/2" Black Self-tapping
98) 910-330	Fan Speed Control 120 V	191)*	*	Screw #8 x 1/2" Brass Plated Self-tapping
99)*	Faceplate Filler	199)	948-216	Regency® Logo

* Not available as a replacement part.





Regency Fireplace Products are designed with reliability and simplicity in mind. In addition, our internal Quality Assurance Team carefully inspects each unit thoroughly before it leaves our facility. FPI Fireplace Products International Ltd. is pleased to extend this limited lifetime warranty to the original purchaser of a Excalibur Product. This warranty is not transferable.

The Warranty: Limited Lifetime

The combustion chamber, heat exchanger, burner tubes/pans, logs, brick panels and gold plating (against defective manufacture only) are covered under the Limited Lifetime Warranty for five (5) years for parts and subsidized labour* and parts only thereafter.

Glass is covered for lifetime against thermal breakage only, parts and subsidized labour* for five (5) years and parts only thereafter from date of purchase.

External casting, surrounds and grills are covered against cracks and warps resulting from manufacturer defects, parts and subsidized labour* for three (3) years from the date of purchase and parts only thereafter.

Special Finishes - One year on brushed nickel and antique copper full screens and doors. You can expect some changes in color as the product "ages" with constant heating and cooling. FPI warranties the product for any manufacturing defects on the original product. However, the manufacturers warranty does not cover changing colors and marks, ie. finger prints, etc applied after the purchase of the product. Damage from the use of abrasive cleaners is not covered by warranty.

Electrical and mechanical components such as blowers, switches, wiring, thermosdiscs, FPI remote controls, spill switches, thermopiles, thermocouples, pilot assembly components, and gas valves are covered for two years parts and one year subsidized labour* from the date of purchase. Blowers and valves replaced under warranty are considered repairs and continue as if new with appliance. ie. twelve (12) months from original purchase date of appliance with a minimum of three (3) months coverage from date of replacement.

FPI venting components are covered parts and subsidized labour* for three (3) years from date of purchase.

Simpson Dura-Vent venting components (Direct Vent units) are covered by Simpson Dura-Vent Inc. warranty.

Repair/replacement parts purchased by the consumer from FPI after the original coverage has expired on the unit will carry a 90 day warranty, valid with a receipt only. Any item shown to be defective will be repaired or replaced at our discretion. No labor coverage is included with these parts.

Conditions:

Any part or parts of this unit which in our judgement show evidence of such defects will be repaired or replaced at FPI's option, through an accredited distributor or agent provided that the defective part be returned to the distributor or agent **Transportation Prepaid**, if requested.

Porcelain/Enamel - Absolute perfection is either guaranteed nor commercially possible. Any chips must be reported and inspected by an authorized dealer within three days of installation. Reported damage after this time will be subject to rejection.

It is the general practice of FPI to charge for larger, higher priced replacement parts and issue credit once the replaced component has been returned to FPI and evaluated for manufacturer defect.

The authorized selling dealer is responsible for all in-field service work carried out on your Regency product. FPI will not be liable for results or costs of workmanship from unauthorized service persons or dealers.

At all times FPI reserves the right to inspect product in the field which is claimed to be defective.

All claims must be submitted to FPI by authorized selling dealers. It is essential that all submitted claims provide all of the necessary information including customer name, purchase date, serial #, type of unit, problem, and part or parts requested, without this information the warranty will be invalid.

Exclusions:

This limited Lifetime Warranty does not extend to or include paint, door or glass gasketing or trim.

At no time will FPI be liable for any consequential damages which exceed the purchase price of the unit. FPI has no obligation to enhance or modify any unit once manufactured. ie. as products evolve, field modifications or upgrades will not be performed.

FPI will not be liable for travel costs for service work.

Installation and environmental problems are not the responsibility of the manufacturer and therefore are not covered under the terms of this warranty policy.

Embers, rockwool, gaskets, door handles and paint are not covered under the terms of this warranty policy.

Any unit which shows signs of neglect or misuse is not covered under the terms of this warranty policy.

The warranty will not extend to any part which has been tampered with or altered in any way, or in our judgment has been subject to misuse, improper installation, negligence or accident, spillage or downdrafts caused by environmental or geographical conditions, inadequate ventilation, excessive offsets, negative air pressure caused by mechanical systems such as furnaces, fans, clothes dryer, etc.

Freight damage to stoves and replacement parts is not covered by warranty and is subject to a claim against the freight carrier by the dealer.

FPI will not be liable for acts of God, or acts of terrorism, which cause malfunction of the appliance.

Performance problems due to operator error will not be covered by this warranty policy.

Products made or provided by other manufacturers and used in conjunction with the operation of this appliance without prior authorization from FPI, may nullify your warranty on this product.

Any alteration to the unit which causes sooting or carboning that results in damage to the interior / exterior facia is not the responsibility of FPI.

* Subsidy according to job scale as predetermined by FPI.



FPI fireplace products are designed with reliability and simplicity in mind. In addition, our internal Quality Assurance Team carefully inspects each unit thoroughly before it leaves our door.

Fireplace Products International Ltd. is pleased to extend this Limited Lifetime Warranty to the original purchaser of a FPI Product.

See the inside back cover for details.

Register your Regency® online at <http://www.regency-fire.com>

Register your Palace® online at <http://www.palace-fire.com>

Installer: Please complete the following information

Dealer Name & Address: _____

Installer: _____

Phone #: _____

Date Installed: _____

Serial No.: _____

Free Manuals Download Website

<http://myh66.com>

<http://usermanuals.us>

<http://www.somanuals.com>

<http://www.4manuals.cc>

<http://www.manual-lib.com>

<http://www.404manual.com>

<http://www.luxmanual.com>

<http://aubethermostatmanual.com>

Golf course search by state

<http://golfingnear.com>

Email search by domain

<http://emailbydomain.com>

Auto manuals search

<http://auto.somanuals.com>

TV manuals search

<http://tv.somanuals.com>