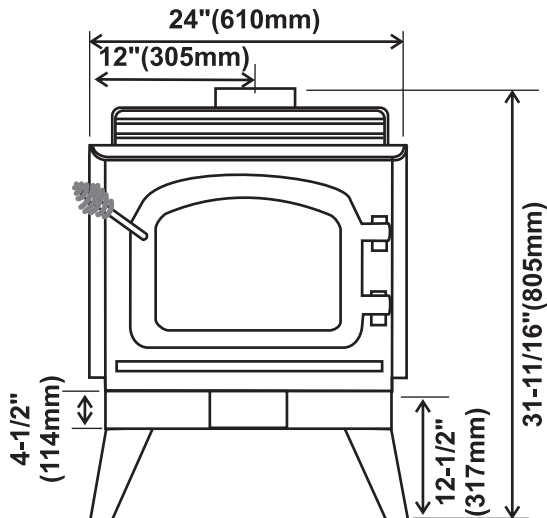
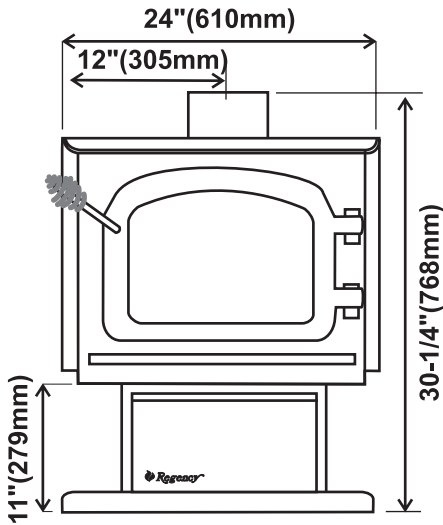
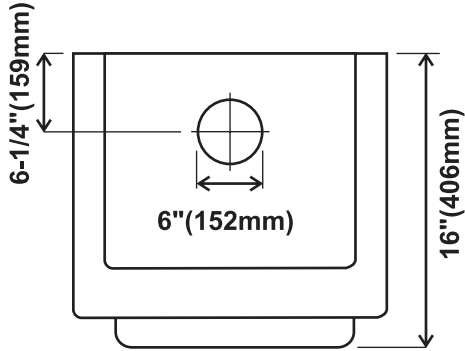


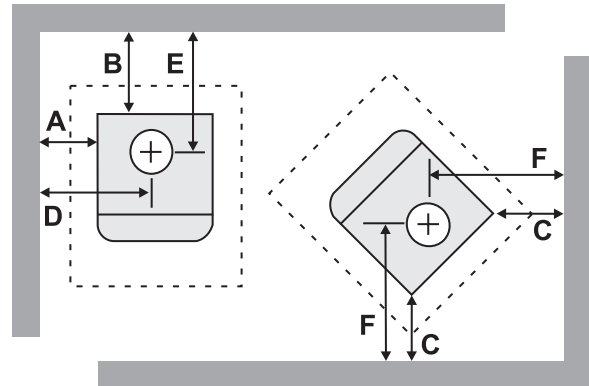
## F1100 Small Stove



### Minimum Clearance To Combustible Materials

Please read the section below carefully as clearances depend on whether the airmate or the rear heat deflector is installed on the stove.

Measurements "From Unit" are from the top plate of the stove to a side wall or to a corner, and from the rear heat shield to a back wall.



Residential Installation "C" Vent (Single Wall)						
Unit	From Unit		From Corner		From Vent centerline	
F1100	A	B	C	D	E	F
with Airmate	13"	11"	8"	25"	17.5"	20"
with Rear Deflector	15"	10.5"	11"	27"	17"	23"

**Residential Close Clearance** (To be installed with required pipe components)  
When the stove is installed as a close clearance residential unit, a listed double wall connector is required from the stove collar to the ceiling level.

Unit	From Unit		From Corner		From Vent centerline	
	A	B	C	D	E	F
F1100						
with Airmate	9"	5"	3"	21"	11.5"	15"
with Rear Deflector	13.5"	5"	5"	25.5"	11.5"	17"

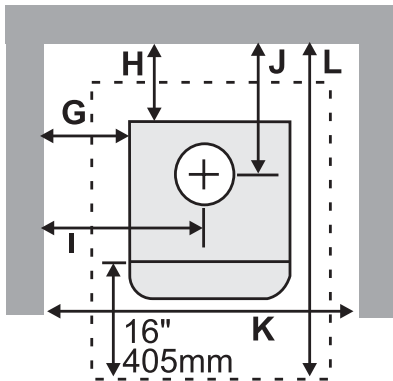
**Mobile Home Close Clearance** (To be installed with required pipe components)  
\*C" Vent single wall pipe is not approved for Mobile Home installations. (Refer to mobile home instructions.)

Unit	From Unit		From Corner		From Vent centerline	
	A	B	C	D	E	F
F1100						
with Airmate	11"	6"	6"	23"	12.5"	18"
with Rear Deflector	13"	5"	9"	25"	11.5"	21"

## Minimum Alcove Clearance To Combustible Materials

Regency Freestanding models have been alcove approved and must be installed with a listed double wall connector to the ceiling level.

**Note:** Minimum alcove ceiling height - 84"  
Maximum depth of alcove - 36"



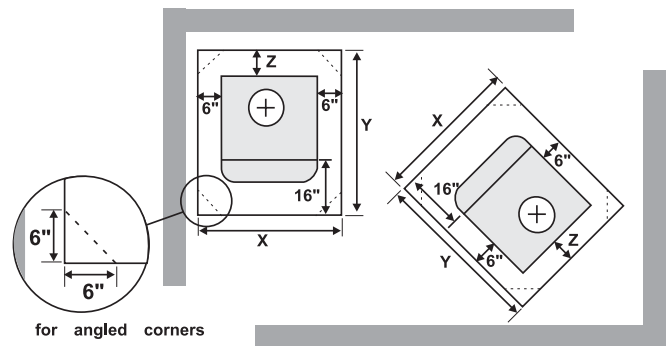
Unit	From Unit		From Vent centerline		Min. Width	Min. Hearth to Rear Wall
	G	H	I	J	K	L
F1100						
with Airmate	11"	7"	23"	13.5"	46"	39"
with Rear Deflector	13"	5"	25"	11.5"	50"	37"

## Floor Protection

A combustible floor must be protected by a non-combustible material (like tile, concrete board, or certified to UL-1618 or as defined by local codes) extending beneath the heater and a minimum of 6" from each side and minimum 16" from the front face of the stove and minimum 6" (or the rear clearance to combustibles whichever is smaller) from the rear of the stove.

### Minimum Overall Width (X) of Floor Protector for all installations:

Small Stove      F1100S      36"



**NOTE:** In Canada, floor protection must extend 18" to the front and 8" to each side of the stove.

### Minimum Overall Depth (Y) of Floor Protector

Unit	Residential "C" Vent	Residential Close Clearance	Mobile Home Close Clearance	Alcove
	Y    Z	Y    Z	Y    Z	Y    Z
F1100				
with Airmate	38"    6"	37"*    5"	38"    6"	38"    6"
with Rear Deflector	38"    6"	37"*    5"	37"*    5"	37"*    5"

\*The rear clearance to combustibles is less than 6" (152mm), for corner installations the rear corners may be angled to take advantage of the closer clearances.

## Free Manuals Download Website

<http://myh66.com>

<http://usermanuals.us>

<http://www.somanuals.com>

<http://www.4manuals.cc>

<http://www.manual-lib.com>

<http://www.404manual.com>

<http://www.luxmanual.com>

<http://aubethermostatmanual.com>

Golf course search by state

<http://golfingnear.com>

Email search by domain

<http://emailbydomain.com>

Auto manuals search

<http://auto.somanuals.com>

TV manuals search

<http://tv.somanuals.com>