

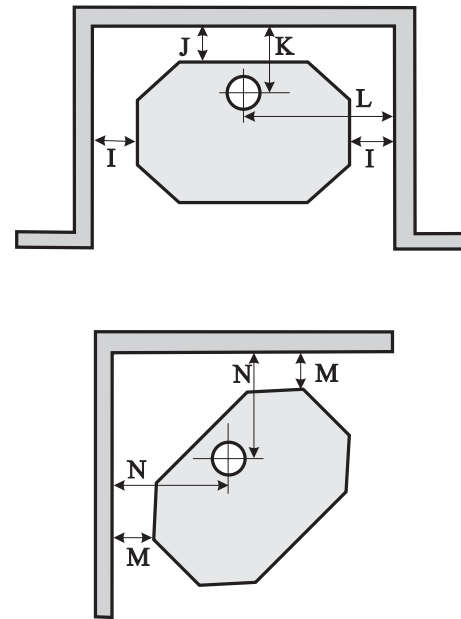
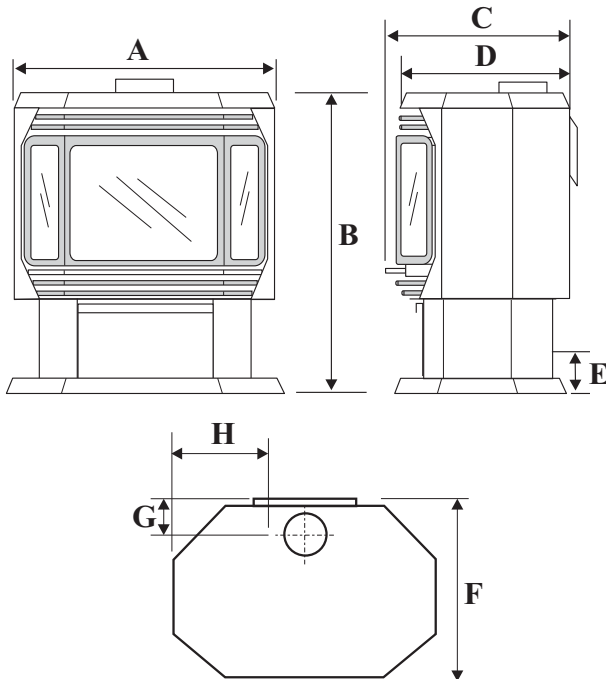
## U38 Top Vent Freestanding B-Vent Gas Stove

Model	U38-NG1	U38-LP1
Fuel Type	Natural Gas	Propane
Minimum Supply Pressure	5" W.C. (1.25 kPa)	12" W.C. (3.00 kPa)
Manifold Pressure - High	3.8" W.C. (0.94 kPa)	11" W.C. (2.74 kPa)
Manifold Pressure - Low	1.1" W.C. (0.27 kPa)	2.9" W.C. (0.72 kPa)
Orifice Size Altitude 0-2000ft (0-610m)	#31	#50
Orifice Size Altitude 2000-4500ft (610-1370m)	#33	
Orifice Size 30,000 Max BTU	#37	#52
Minimum Input Altitude 0-2000ft (0-610m)	21,000 BTU/h	20,000 BTU/h
Minimum Input Altitude 2000-4500ft (610-1370m)	19,000 BTU/h	
Minimum Input Converted to 30,000 Max BTU	15,000 BTU/h	15,000 BTU/h
Maximum Input Altitude 0-2000ft (0-610m)	40,000 BTU/h	38,000 BTU/h
Maximum Input Altitude 2000-4500ft (610-1370m)	36,000 BTU/h	
Maximum Input Converted to 30,000 Max BTU	30,000 BTU/h	30,000 BTU/h
Vent Sizing	4" B-Vent	4" B-Vent



Gas Stoves

Approved Venting Systems	
Vent Systems:	Listed B-Vent, Class-A or Masonry Chimney with approved liner (FPI AstroCap™ Flex Vent)



Dimension	Description	U38
A	Top Width	26" (660mm)
B	Unit Height	30" (762mm)
C	Top Depth (back to front face)	17-5/8" (448mm)
D	Top Depth	17" (432mm)
E	Height; Base to Gas Line	3-1/2" (89mm)
F	Top; Front to Back	17" (432mm)
G	Depth; Flue-Centerline to Back	3-1/2" (89mm)
H	Width; Side of unit to Gas Line	10-3/4" (273mm)

Alcove clearances		
Dimension	Description	U38
I	Side Wall to Unit	7-1/2" (190mm)
J	Back Wall to Unit	6" (155mm)
K	Back Wall to Vent Centerline	10-3/4" (273mm)
L	Side Wall to Vent Centerline	20-1/2" (521mm)

Corner Clearances		
Dimension	Description	U38
M	Wall to Unit Corner	2" (50mm)
N	Wall to Vent Centerline	11" (280mm)

**Minimum ceiling height is 36" (914mm) from top of unit.**  
**Minimum clearance to vent : According to B-Vent Manufacturer**  
 The above listed clearances are minimum distances to combustible materials. When installing on carpet or vinyl flooring the bottom pedestal cover plate must be installed.

U38 Gas Stove

## Venting

This heater is a vented appliance and must be connected to a chimney/ flue in accordance with the installation codes.

**Note:** *The rear pedestal cover plate is only required when outside air is being used. If using room air for combustion, remove this plate from the back of the pedestal.*

For your safety this heater is equipped with a vent safety switch designed to sense incorrect venting and react by shutting down the gas supply. This thermally actuated switch is located within the draft hood and will detect either a blocked chimney or backdraft condition where the chimney flow has reversed. If this switch shuts the unit down, it indicates a drafting problem that must be identified and rectified without delay - the thermally activated switch must **never** be bypassed or disconnected as a hazardous or deadly condition can result.

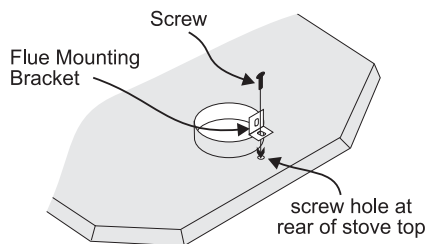
### Venting Requirements

A four inch diameter vent is required. B-Vent, Class A or Masonry with an approved liner are all acceptable. For cosmetic or aesthetic purposes 6" outer vent can be used as long as an approved inner vent is installed. Fasten but do not penetrate the inner sleeve of the B-Vent when tightening the screw.

Follow all venting manufacturer's requirements and local building codes. In cold climates, we recommend the use of insulated B-Vent, chase, and liners. For altitudes above 2000 ft. we recommend that a minimum flue height of 12 ft. is used.

### Flue Mounting Bracket

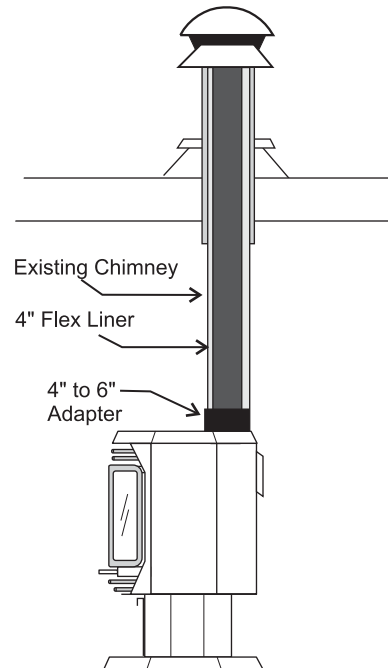
Attach the flue mounting bracket with the enclosed screw as shown in the diagram.



## Installation into Existing Wood Stove Flue System

- 1) Clean existing Chimney system.
- 2) Run an approved 4" flex liner or "B" vent into existing chimney.

**Note:** See the chimney systems manufacturer for detailed installation instructions.



## Free Manuals Download Website

<http://myh66.com>

<http://usermanuals.us>

<http://www.somanuals.com>

<http://www.4manuals.cc>

<http://www.manual-lib.com>

<http://www.404manual.com>

<http://www.luxmanual.com>

<http://aubethermostatmanual.com>

Golf course search by state

<http://golfingnear.com>

Email search by domain

<http://emailbydomain.com>

Auto manuals search

<http://auto.somanuals.com>

TV manuals search

<http://tv.somanuals.com>