

INSTALLATION AND OPERATING INSTRUCTIONS

for the ULTIMATE Freestanding Gas Stove

Model: U41FS-NG **Natural Gas Heater**
 U41FS-LP **Propane Heater**

LISTINGS AND CODE APPROVALS

These gas appliances have been tested in accordance with National Safety Standards, and have been certified by Warnock Hersey for installation and operation as described in these Installation and Operating Instructions in the United States and Canada.

Check with your local building code agency before you begin your installation to ensure compliance with local codes, including the need for "permits" and follow-up inspections. If any problems are encountered regarding code approvals, or if you wish clarification of any of the instructions contained here, contact your local dealer.

Your unit should be serviced annually by a qualified service person.



PLEASE KEEP THESE INSTRUCTIONS FOR FUTURE REFERENCE

<p>WARNING: Improper installation, adjustment, alteration, service or maintenance can cause injury or property damage. Refer to this manual. For assistance or additional information consult a qualified installer, service agency or the gas supplier.</p>	<p>FOR YOUR SAFETY</p> <p>What to do if you smell gas:</p> <ol style="list-style-type: none"> 1) Open windows. 2) Turn off main gas supply 3) Do not touch any electrical switch. 4) Extinguish any open flames. 5) Immediately call your gas supplier or fire department from a neighbour's phone.
<p>FOR YOUR SAFETY Do not store or use gasoline or other flammable vapors and liquids in the vicinity of this or any other appliance.</p>	

Regency Industries Ltd.
 7830 Vantage Way, Delta, B.C.
 Canada, V4G 1A7

Tested by Warnock Hersey:



REGENCY
ULTIMATE Freestanding Gas Stove

To the New Owner:

Congratulations! You are the owner of a state-of-the-art ULTIMATE Gas Stove by Regency Industries Ltd. The Regency Gas Series of hand crafted appliances has been designed to provide you with all the warmth and charm of a woodstove, at the flick of a switch. The models U41FS-NG and U41FS-LP of this series has been approved by Warnock Hersey for both safety and efficiency. As it also bears our own mark, it promises to provide you with economy, comfort and security for many trouble free years to follow. Please take a moment now to acquaint yourself with these instructions and the many features of your Regency Gas Stove.

TABLE OF CONTENTS

	Page		Page
Safety Label		Operating Instructions	
Safety Label	4	Operating Instructions	13
Installation		Lighting Instructions	13
General Installation Information	5	Shutdown Instructions	13
Specifications	5	First Fire	13
Minimum Clearances to Combustibles	6	Copy of Lighting Plate Instructions	14
Optional Outside Air	6	Convection Fan	15
- Outside Air through Bottom of Pedestal	6		
- Outside Air through Rear of Pedestal	6		
Draft Hood	7	Maintenance	
Venting	7	Maintenance Instructions	15
- Venting Requirements	7	Log Replacement	16
- Common Venting	7	Gold Plated Doors	16
- Installation into Existing Woodstove Flue System	7	Door and Glass Gasket	16
Gas Connection	8	Glass Replacement	16
High Elevation	8	Fan Maintenance	17
Log Installation	8	Latch Adjustment	17
Door Installation and Door Latch	10	Parts List	17
Top Louver Installation	10		
Gas Pressure Test	10	Warranty	
Aeration Adjustment	10	Warranty	19
Test for Flue Spillage	11		
Optional Remote Control Installation	11		
Optional Wall Thermostat	11		
Wiring Diagram	12		

GENERAL INFORMATION

This installation must conform with local codes or, in the absence of local codes, in the U.S.A. with the current National Fuel Gas Code, ANSI Z223.1, and National Electrical Code ANSI/NFPA 70 installation codes. In Canada, current CAN/CGA-B149.1 and B149.2 codes and current CSA C22.1 Canadian Electrical Code.

THIS APPLIANCE SHOULD BE INSTALLED, REPAIRED, INSPECTED BEFORE USE AND AT LEAST ANNUALLY BY A QUALIFIED SERVICE PERSON. MORE FREQUENT CLEANING MAY BE REQUIRED DUE TO EXCESSIVE LINT FROM CARPETING, ETC. IT IS IMPERATIVE THAT CONTROL COMPARTMENT, BURNERS AND CIRCULATING AIR PASSAGeways OF THE APPLIANCE BE KEPT CLEAN.

DUE TO HIGH TEMPERATURES, THE APPLIANCE SHOULD BE LOCATED OUT OF TRAFFIC AND AWAY FROM FURNITURE AND DRAPERIES.

WARNING: THIS APPLIANCE CAN ONLY BE COMMON-VENTED IN ACCORDANCE WITH THE NATURAL GAS INSTALLATION CODE. THAT IS THAT THE VENTING MUST BE SIZED ACCORDINGLY TO ACCOMMODATE THE TOTAL BTU RANGE OF ALL APPLIANCES CONCERNED AND THAT THE CODE ALLOWS THE VENTING OF THE APPLIANCES IN QUESTION TO BE VENTED TOGETHER. IT SHOULD ALSO BE NOTED THAT GAS APPLIANCES MUST NOT BE VENTED WITH SOLID FUEL BURNING APPLIANCES.

WARNING: FAILURE TO INSTALL THIS APPLIANCE CORRECTLY MAY CAUSE A SERIOUS HOUSE FIRE AND WILL VOID YOUR WARRANTY.

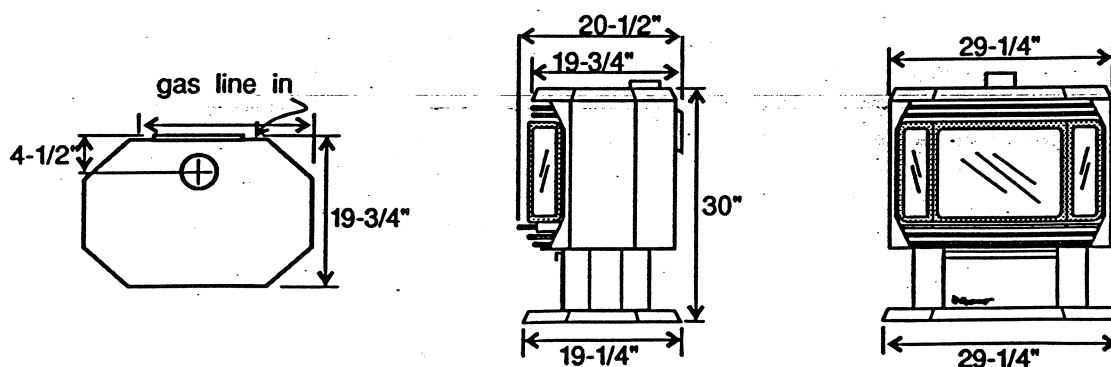
Provide adequate clearances for servicing, proper operation and around the air openings into the combustion chamber. Adequate combustion and ventilation air must also be provided.

The appliance must be installed on a flat, solid, continuous surface (e.g. wood, metal, concrete). This may be the floor, or it can be raised up on a platform to enhance its visual impact. If the appliance is going to be installed on carpeting, tile or other combustible material other than wood flooring, the appliance must be installed on a metal or wood panel extending the full width and depth of the appliance. The Regency Freestanding Gas Stove can be installed in a wide variety of ways and will fit nearly any room layout. It may be installed in a recessed position, framed out into the room, or across a corner.

The ULTIMATE Gas Heater is approved for alcove installations, which meet the clearances listed below. This unit can be installed in a bedroom, when installed with a millivolt thermostat. This unit is not approved for mobile home installations.

We recommend that you plan your installation on paper using exact measurements for clearances and floor protection before actually installing this appliance. If an existing chimney is not utilized, position the appliance to allow free passage of factory-built listed chimney through the ceiling and roof. Have a qualified building inspector review your plans before installation.

SPECIFICATIONS



INSTALLATION

CLEARANCES TO COMBUSTIBLES

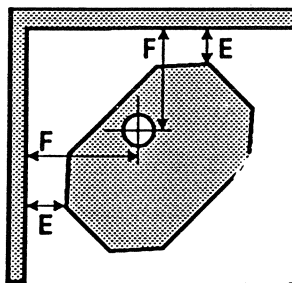
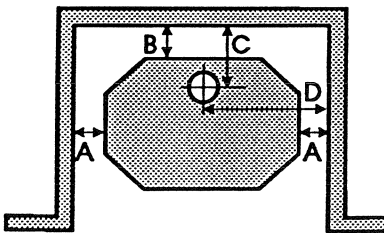
The clearances listed below are MINIMUM distances. Measure the clearance to both the appliance and the chimney connector. The farthest distance is correct if the two clearances do not coincide.

For example, if the appliance is set as indicated in one of the figures but the connector is too close, move the stove until the correct clearance to the connector is obtained.

This appliance may be installed only with the clearances as shown in the situations pictured. Do not combine clearances from one type of installation with another in order to achieve closer clearances.

Use the minimum clearances shown in the diagrams below for installation with "B" vent.

A	Side Wall to Unit	7-1/2" / 190 mm
B	Back Wall to Unit	6" / 155 mm
C	Back Wall to Flue Centerline	10-1/2" / 265 mm
D	Side Wall to Flue Centerline	22" / 560 mm
E	Side Wall to Unit	2" / 50 mm
F	Side Wall to Flue Centerline	11" / 280 mm



Minimum ceiling height is 54" / 1370 mm from top of unit.

If further reduced clearances are needed, obtain requirements for construction of a protected wall from your local building authorities and their allowable reductions of the listed clearances.

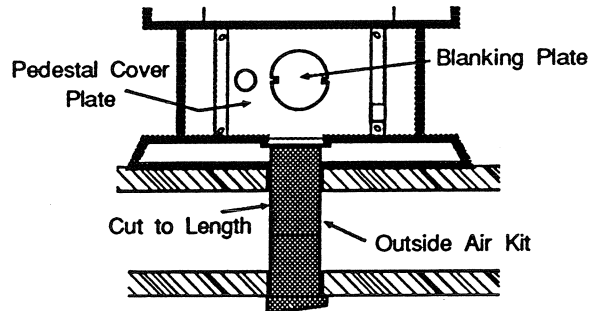
OPTIONAL OUTSIDE AIR

Outside air is now an option for Gas Stoves. Outside air for combustion can be brought in either through the bottom of the pedestal or through the rear plate of the pedestal.

For both bottom and rear outside air the Pedestal Cover Plate must be installed. Loosen the 4 screws on the rear of the pedestal and slide the cover plate over them. Slide the plate to the left to center it and tighten down the 4 screws.

Outside Air Through Pedestal Bottom

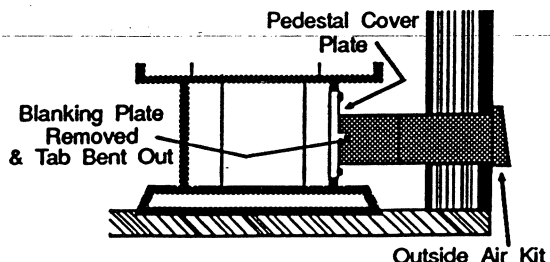
Once you have properly marked the position of your unit as outlined in "General Information" and "Clearances to Combustibles", cut a minimum 3 inch diameter hole through the floor directly under your pedestal base to the outside. Pipe fresh air into the pedestal area by using a minimum 3" duct pipe with a mesh grill at the outside termination.



Rear View

Outside Air Through Pedestal Rear

Remove the blanking plate from the rear of the pedestal cover plate and bend the two tabs out 90 degrees. Pipe fresh air into the pedestal area by using a minimum 3" duct pipe with a mesh grill at the outside termination. Attach the pipe to the tabs with screws.



Side View

DRAFT HOOD

The heater has a draft hood built into its back. It must not be altered, obstructed, or blocked in any way, and the unit must be installed so that the draft hood is in the same atmospheric pressure zone as the combustion air inlet to the burner.

VENTING

This heater is a vented appliance and must be connected to a chimney/flue in accordance with the installation codes.

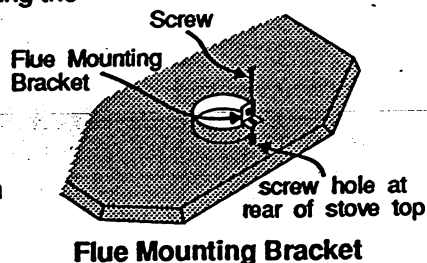
Note: The rear cover plate is only attached when outside air is being used. If using room air for combustion, remove the cover plate from the back of the pedestal.

For your safety this heater is equipped with a vent safety switch designed to sense incorrect venting and react by shutting down the gas supply. This thermally actuated switch is located within the draft hood and will detect either a blocked chimney or backdraft condition where the chimney flow has reversed. If this switch is closing the unit down, it indicates a drafting problem - the thermally actuated switch must **never** be by-passed or disconnected as a hazardous or deadly condition can result.

Venting Requirements

A minimum four inch diameter vent is required. B-Vent, Class A or Masonry with an approved liner are all acceptable. For cosmetic or aesthetic purposes 5" or 6" outer vent can be used as long as an approved inner vent is installed. Fasten the B-Vent to the bracket on the top of the stove with one sheet metal screw but do not penetrate the inner sleeve of the B-Vent when tightening the screw.

Attach the flue mounting bracket with the enclosed screw as shown in the diagram.



Follow all venting manufacturer's requirements and local building codes. In cold climates, we recommend the use of insulated B-vent, chase, and liners. For

altitudes above 2000 ft. we recommend that a minimum flue height of 12 ft. is used. A wind cap is recommended for wind turbulent sites when flue spillage is noted.

Common Venting

Venting into a common vent that also vents a liquid fuel: When venting the appliance into a chimney or common vent used for a liquid fuel appliance, the vent connector entrance into the chimney of the gas appliance must be above that of the other, regardless of input. However, a branch fitting (available from the same chimney manufacturer) located as close as practical to the chimney can be used to connect the vent connector of the gas appliance to that of the vent connector of the other fuel.

Venting appliance of unequal input: When venting two gas appliances of unequal input into a chimney or common vent, the entrance of the vent connector of the appliance having the smaller input shall be located higher than that of the larger input appliance; or wherever possible the common vent closer to or directly over the small appliance connector.

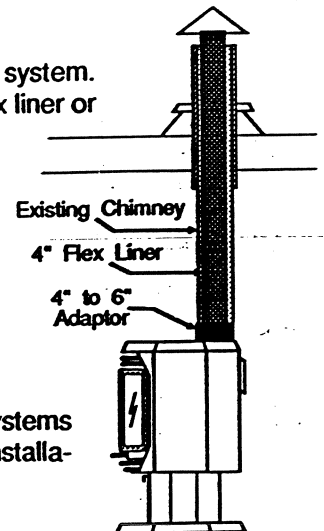
Venting appliances of equal input: When venting two gas appliances of equal input into a chimney or common vent, the two vent connector locations into the chimney or common vent cannot be made opposite or adjacent to each other at the same level. However, they may be "Y"-ed into the chimney or common vent or located in a staggered position.

Installation into Existing Woodstove Flue System

- 1) Clean existing chimney system.
- 2) Run an approved 4" flex liner or "B" vent into existing chimney.

The space between the liner and class "A" should be sealed at the top to prevent cold air infiltration.

NOTE: See the chimney systems manufacturer for detailed installation instructions.



INSTALLATION

GAS CONNECTION

The gas connection is a 3/8" SAE 45° flare elbow fitting and is easily accessible by removing the pedestal cover plate. The gas line can be rigid pipe or to make installation easier, use a listed flexible connector and manual shut-off valve if allowed by local building codes. For minimum and maximum supply pressure see the System Data table below.

NOTE: During any pressure testing of the gas supply piping system that exceeds test pressures of 1/2 psig, this appliance and its individual shut-off valve must be disconnected from the piping system. If test pressures equal to or less than 1/2 psig are used then this appliance must be isolated from the piping system by closing its individual manual shut-off valve during the testing.

A 1/8" NPT plugged tapping is provided on the gas control valve. It is located near the outlet to the Main Burner immediately upstream of the gas supply connection to the appliance, and is easily accessible for a test gauge connection (see diagram on page 10).

Recommended Gas Pipe Diameter				
Pipe Length (feet)	Schedule 40 pipe Inside Dia.		Tubing, Type L Outside Dia.	
	N.G.	L.P.	N.G.	L.P.
0 - 10	1/2" 1.3 cm	3/8" 1.0 cm	1/2" 1.3 cm	3/8" 1.0 cm
10 - 40	1/2" 1.3 cm	1/2" 1.3 cm	5/8" 1.6 cm	1/2" 1.3 cm
40 - 100	1/2" 1.3 cm	1/2" 1.3 cm	3/4" 1.6 cm	1/2" 1.3 cm
100 - 150	3/4" 2.0 cm	1/2" 1.3 cm	7/8" 2.3 cm	3/4" 2.0 cm

NOTE: Some areas allow copper tubing or galvanized pipe - check local codes. Never use plastic pipe.

HIGH ELEVATION

This unit is approved in Canada for altitude 0 to 2000 ft. (CAN1 2.17-M90) with the orifice supplied. For installations above 2000 feet, follow current CAN/CGA-B149.1 and B149.2. In USA refer to ANSI Z223.1-1988, Appendix F, for re-sizing orifice.

LOG INSTALLATION

WARNING: Dangerous operating conditions may occur if these logs are not positioned in their approved locations. Read the instructions below carefully and refer to the diagrams. If logs are broken do not use the unit until they are replaced. Broken logs can interfere with the pilot operation and cause an explosion.

The gas log kit contains the following:

- Front Log - Part # 902-161
- Rear Log (with knot) - Part # 902-160
- Small Cross Logs (2) 8" long - Part # 902-162
- Embers - Part # 650-934
- Rear log supports (2)

(Part # 650-932 for the set of four logs)

System Data		
For 0 to 2000 feet altitude*		
Burner Inlet Orifice Sizes:		
	Natural Gas	Propane
Rear Burner	#42	#54
Front Burner	#49	#56
*Above 2000 ft. see National Code Orifice Chart.		
Input Rating - Natural Gas	42,000 btu/h	
- Propane	38,000 btu/h	
Min. Output Capacity with blower Off		
Natural Gas	30,000 btu/hr	71 1/2
Propane	28,500 btu/hr	
Max. Output Capacity with blower On		
Natural Gas	33,000 btu/hr	79 1/2
Propane	30,400 btu/hr	80 1/2
Supply Pressure		
Natural Gas	minimum	6.2" w.c.
	maximum	8.0" w.c.
Propane	minimum	10.5" w.c.
	maximum	13.0" w.c.
Manifold Pressure		
Natural Gas	3.8" +/- 0.2" w.c.	
Propane	10" +/- 0.2" w.c.	

INSTALLATION

1) Log Stand Installation

- Loosen the 4 screws in the top of the rear burner.
- Slide the two rear log support brackets into position as shown in the diagram.
- Push the rear log support brackets tight against the screws and then tighten down the screws.

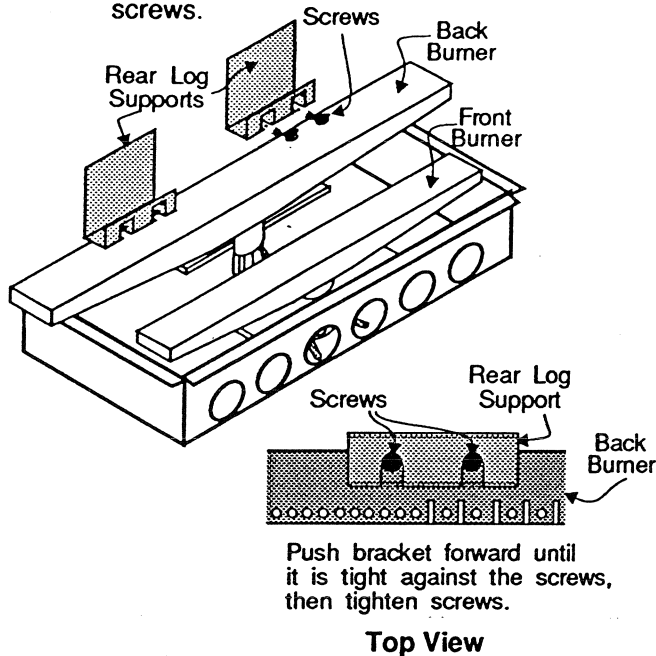


Diagram 1: Top View

- Remove the logs from the heater and carefully unwrap them. The logs are fragile, handle with care - DO NOT FORCE into position.
- Place embers along full length of the front burner tray. Put embers on top of the front burner but **keep embers clear of the pilot** and make sure the embers do not prevent the front log from sitting properly on the front log stands. Do not put any embers in the rear ember tray. Use only about half of the embers in the package. Keep the remaining embers for use after annual maintenance of cleaning the inside firebox. See Maintenance on page 15.

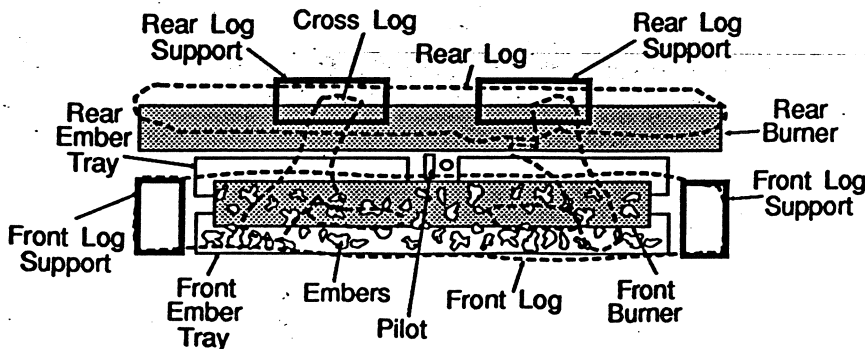


Diagram 1: Top View

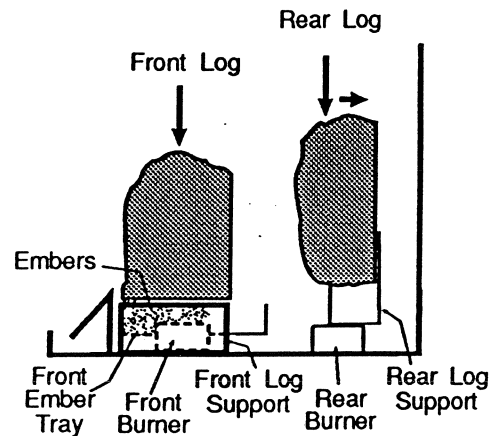


Diagram 2: Side View

- Carefully place the rear log (with no cutouts) so it rests on the rear supports (with the flat part of the log to the back) and then push the log flush against the back. Center the log, relative to the rear burner. The knot in the log should sit just to the right of center. See diagrams 1 & 2.
- Place the front log (with the cutouts) on the two front log supports, the log must be even with the front edge of the supports. See diagrams 1 & 2.
- The cross logs must be positioned on the front and rear logs as shown in diagram 3. Incorrectly positioned cross logs will affect the flame pattern and proper operation of the unit. Use the two top holes in the front log for positioning. The inside edge of the left log is even with the left edge of the hole and the "thumb" just touches the front edge of the hole. The inside edge of the right log is even with the right edge of the hole and the "thumb" is centered above the knot in the rear log.

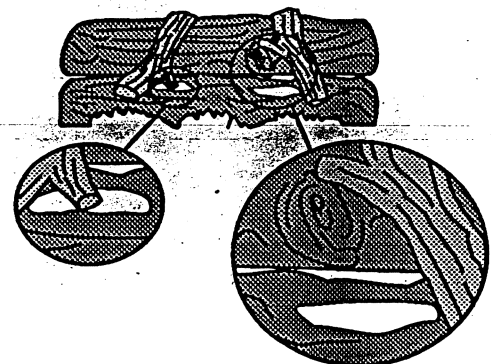


Diagram 3: Top View

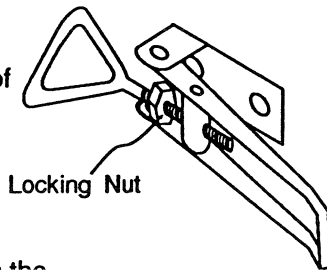
INSTALLATION

DOOR INSTALLATION AND DOOR LATCHES

The door slides onto the two hinge pins and fastens with the two latches on the right side. The door must be kept closed and locked at all times, except during maintenance. The unit must never be operated without the glass in the door, or with the door open.

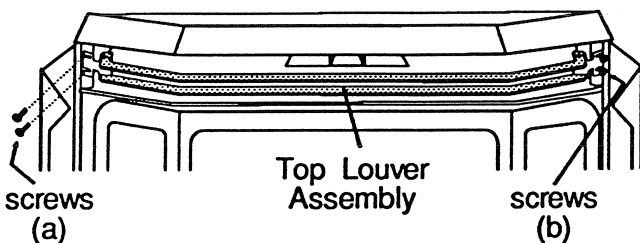
Always open the two side panel doors before opening the large center door to prevent the large door from getting scratched.

Test the seal around the door by placing a piece of paper between the unit and the door, close the door and try to pull the paper out. If it slips out easily, then the door is not properly sealed. Turn the locking nut on the adjustable catch to tighten or loosen the latch.



TOP LOUVER INSTALLATION

- 1) Remove both screws from one side of the stove (a).
- 2) Remove louvers from package.
- 3) Slide one side of the louvers into the screws (b) still in the body and tighten screws.
- 4) Align other side of louvers with the holes and attach with the screws.



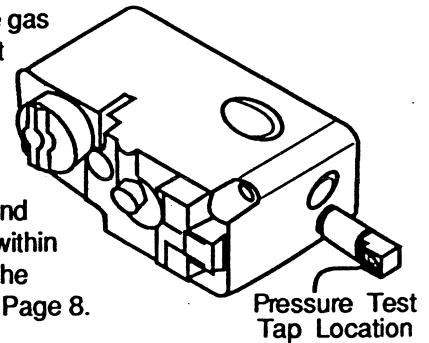
GAS PRESSURE TEST

The unit is preset to give the correct gas input at the specified manifold pressures shown in the Systems Data table on Page 8. The maximum gas input is 42,000 btu/hr for Natural Gas and 38,000 btu/hr for Propane.

The manifold pressure is controlled by a regulator built into the gas control, and should be checked at the pressure test point. This is a 1/8" NPT plugged

tapping located on the gas control, near the outlet to the main burner.

The pressure check should be carried out with the unit burning and the setting should be within the limits specified in the System Data table on Page 8.



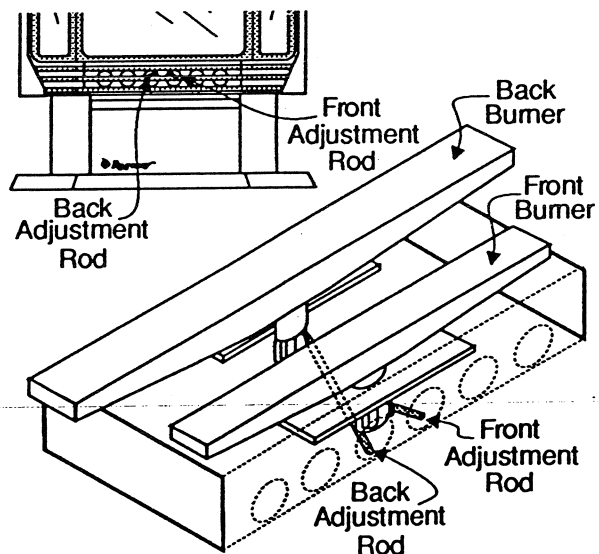
AERATION SYSTEM

The burner aeration is factory set but may need adjusting due to either the local gas supply, air supply or altitude.

Natural Gas: 1/4" open (rear) and 1/4" open (front)
Propane: 5/8" open (rear) and 5/8" open (front)

An aeration adjustment rod is attached to the air shutter on each burner. The rod is used to adjust the aeration on the main burner without having to take the appliance apart. This adjustment is performed by a qualified installer. The factory setting should be sufficient for most installations.

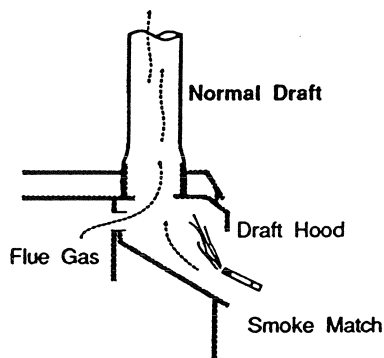
Note: any damage due to carboning resulting from improperly setting the aeration controls is NOT covered under warranty.



TEST FOR FLUE SPILLAGE

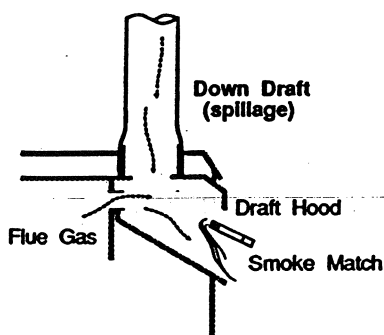
A "spillage" test must be made before the installed unit is left with the customer. Follow the procedure below:

- 1) Start all exhaust fans in the home and then close all doors and windows in the room.
- 2) Light the unit and set controls to maximum.
- 3) After five minutes, test that there is a "pull" on the flue by placing a smoke match, cigarette or similar device which gives off smoke, on the edge of the draft hood. See diagrams below.



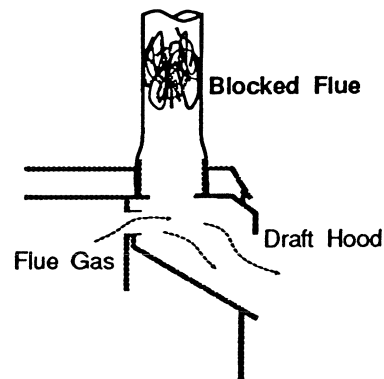
The smoke should be drawn into the draft hood, if it does not, leave the unit for a further five minutes and retest as above. If the smoke is still not drawn into the draft hood, turn the unit off and check for the cause of the lack of draft. If necessary, seek expert advice.

For wind turbulent sites, a wind cap may remedy the problem.



Note: If the flue is blocked or has a strong reverse flow, the thermally actuated safety switch mounted in the draft hood will automatically shut off the gas supply within about 10 minutes. If the

heater turns off because of this during the spillage test, check for the cause of the lack of draft and if necessary, seek expert advice.



The thermally actuated safety switch must be manually reset after the stove has reduced in temperature. The switch will continue to cycle until the draft problem is corrected.

OPTIONAL REMOTE CONTROL INSTALLATION

Use the Regency Remote Control Kit (Part # 910-282) approved for this unit. Use of other systems may void your warranty.

OPTIONAL WALL THERMOSTAT INSTALLATION

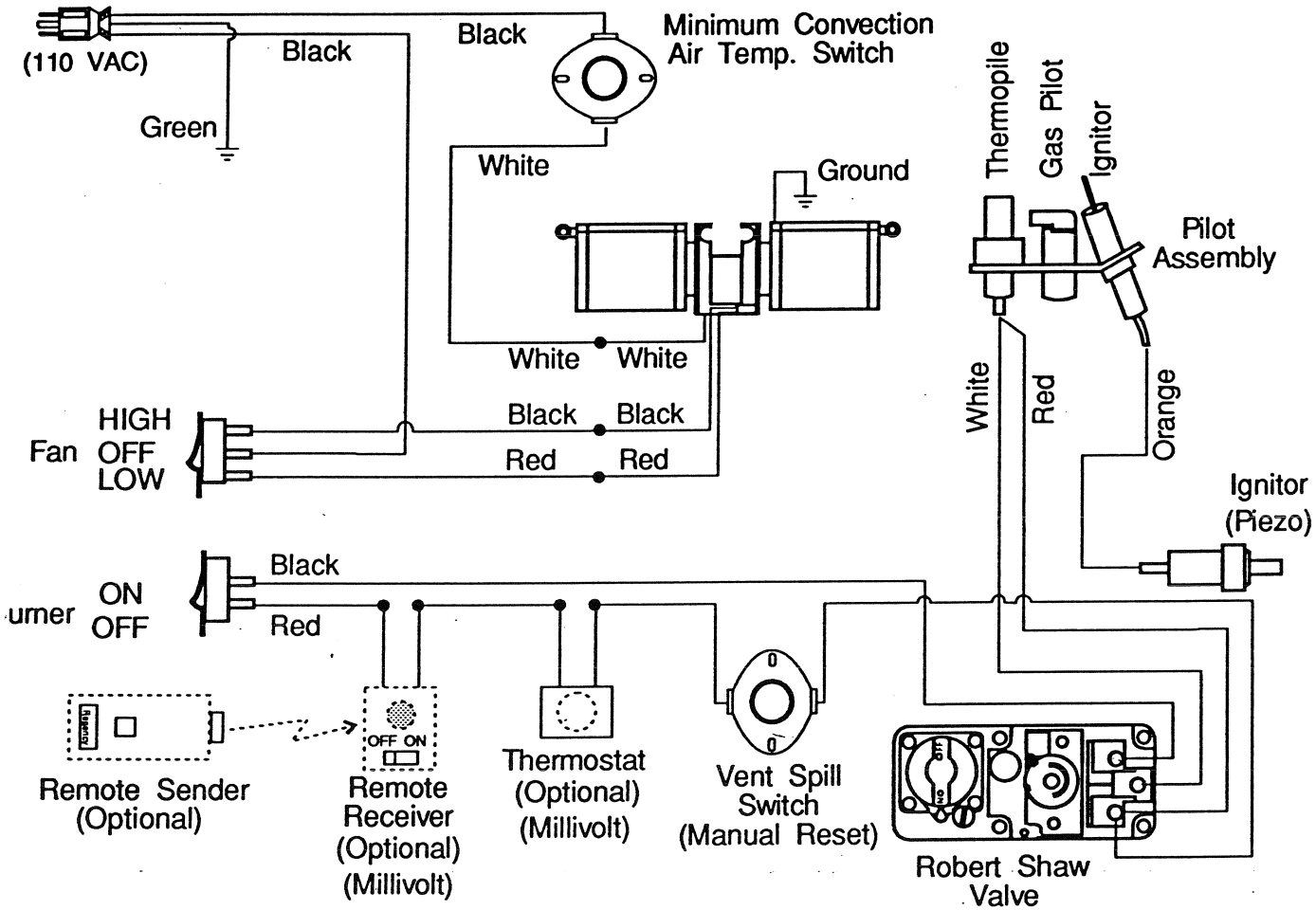
A wall thermostat may be installed if desired, follow the wiring diagram below. The thermostat is not supplied by Regency, use a CSA, ULC or UL approved millivolt thermostat, 250-75- millivolt rated. A non-anticipator type thermostat is recommended.

The maximum recommended length of wire from the valve to the thermostat is 20 ft.

Recommended Maximum Lead Length (Two-Wire) When Using Wall Thermostat (CP-2 System)	
Wire Size	Max. Length
14 GA.	100 Ft.
16 GA.	64 Ft.
18 GA.	40 Ft.
20 GA.	25 Ft.
22 GA.	18 Ft.

INSTALLATION

WIRING DIAGRAM



OPERATING INSTRUCTIONS

OPERATING INSTRUCTIONS

Before operating this appliance, proceed through the following check list.

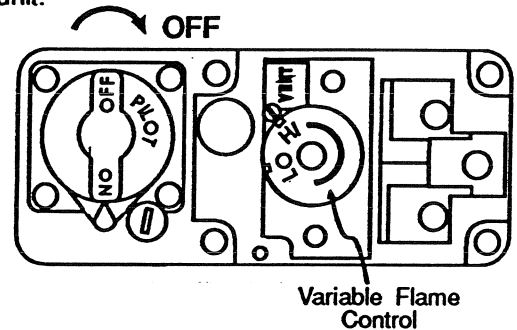
- 1) Read and understand these Instructions before operating this appliance.
- 2) Check to see that all wiring is correct and enclosed to prevent possible shock.
- 3) Check to ensure there are no gas leaks.
- 4) Make sure the three pieces of door glass are properly positioned. Never operate the appliance with any of the glass removed or with the door open.
- 5) Verify that all venting and the cap is unobstructed.
- 6) Verify log placement. If the pilot cannot be seen when lighting the unit - the logs or the embers have been incorrectly positioned.
- 7) The unit should never be turned off and on without a minimum of a 60 second wait.

LIGHTING PROCEDURE

IMPORTANT: Gas cock knob cannot be turned from "PILOT" to "OFF" unless it is partially depressed.

- 1) Open the door when lighting the pilot, but once the pilot is lit, DO NOT operate the unit with the door open.
- 2) If the control knob is in the "OFF" position proceed to Step 4.
- 3) Push in gas control knob slightly and turn clockwise to "OFF". Knob cannot be turned from "PILOT" to "OFF" unless knob is pushed in slightly. Do not force.
- 4) Wait five minutes to allow gas, that may have accumulated in the main burner compartment, to escape. If you do smell gas, follow the instructions on the front of this manual. If you don't smell gas continue on to the next step.
- 5) Turn the gas control counterclockwise to "PILOT".

- 6) Push in control knob all the way and hold in. Immediately push red button on spark igniter until pilot lights. Continue to hold the control knob in for approximately one minute, then release the gas control knob. The pilot flame should continue to burn. If the pilot does not remain lit, repeat operation allowing a longer period before releasing gas control knob.
- 7) Turn gas control knob counterclockwise to "ON".
- 8) Use rocker switch to operate main burner.
- 9) Rotate the variable flame control to adjust the flame height higher or lower.
- 10) The door must be closed when operating the unit.



SHUTDOWN PROCEDURE

- 1) Use the rocker switch to turn off the main burner.
- 2) Push in the gas control knob slightly and turn clockwise to "OFF". Do not force.
- 3) Turn off all electric power to the appliance if service is to be performed.

FIRST FIRE

The first fire in your stove is part of the paint curing process. To ensure that the paint is properly cured, light the unit and leave it on for 5 minutes and let it cool down for 30 minutes. Repeat 3 or 4 times. When first operated, the unit will release an odour caused by the curing of the paint, the burning off of any oils remaining from manufacturing and burning off the starch in the gas logs.

The glass panel will require cleaning after the unit has cooled down. **DO NOT ATTEMPT TO CLEAN THE GLASS WHILE IT IS HOT.**

OPERATING INSTRUCTIONS

Copy of the Lighting Plate instructions

FOR YOUR SAFETY READ BEFORE LIGHTING

This appliance must be installed in accordance with local codes, if any; if not, follow the current CAN1-B149/ANSI Z 223.1-1988

WARNING: If you do not follow these instructions exactly, a fire or explosion may result causing property damage, personal injury or loss of life. Improper installation, adjustment, alteration, service or maintenance can cause injury or property damage. Refer to the owner's information manual provided with this appliance. For assistance or additional information consult a qualified installer, service agency or gas supplier.

- A) This appliance has a pilot which must be lighted by hand, following the instructions below exactly.
- B) BEFORE LIGHTING smell all around the appliance area for gas. Be sure to smell next to the floor because some gas is heavier than air and will settle on the floor.

WHAT TO DO IF YOU SMELL GAS

- Do not try to light any appliance
 - Do not touch any electric switch, do not use any phone in your building
 - Immediately call your gas supplier from a neighbour's phone. Follow the gas supplier's instructions.
 - If you cannot reach your gas supplier, call the fire department.
- C) Use only your hand to push in or turn the gas control knob. Never use tools. If the knob will not push in or turn by hand, don't try to repair it, call a qualified service technician. Force or attempted repair may result in a fire or explosion.

D) Do not use this appliance if any part has been under water. Immediately call a qualified service technician to inspect the appliance and to replace any part of the control system and any gas control which has been under water.

This appliance needs fresh air for safe operation and must be installed so there are provisions for adequate combustion and ventilation air.

CAUTION: Hot while in operation. Do not touch. Due to high surface temperatures keep children, clothing and furniture, away. Keep burner and control compartment clean. See installation and operating instructions accompanying appliance.

LIGHTING INSTRUCTIONS

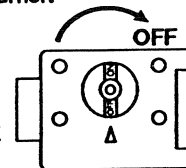
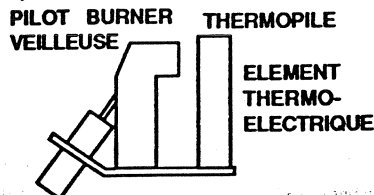
STOP! Read the safety information above on this label.

- 1) Push in gas control knob slightly and turn clockwise to "OFF". Knob cannot be turned from "PILOT" to "OFF" unless knob is pushed in slightly. Do not force.
- 2) Wait five (5) minutes to clear out any gas. If you then smell gas **STOP!** follow "B" in the safety information above on this label. If you don't smell gas, go to the next step.
- 3) Turn knob on gas control counterclockwise to "PILOT".
- 4) Push in control knob all the way and hold in. Immediately push red button on spark igniter until pilot lights. Continue to hold the control knob in for about 1/2 minute after the pilot is lit. Release knob and it will pop back up. Pilot should remain lit. If it goes out, repeat steps 3) and 4).

If knob does not pop up when released, stop and immediately call your service technician or gas supplier. If the pilot will not stay lit after several tries, turn the gas control knob to "OFF" and call your service technician or gas supplier.

- 5) Turn gas control knob counterclockwise to "ON".

- 6) Use rocker switch to operate main burner.



TO TURN OFF GAS APPLIANCE

- 1) Push in the gas control knob slightly and turn clockwise to "OFF". Do not force.
- 2) Turn off all electric power to the appliance if service is to be performed.

DO NOT REMOVE THIS INSTRUCTION PLATE

908-401

AUTOMATIC CONVECTION FAN OPERATION

The fan operates automatically, push the rocker switch on the side of the pedestal to either "HIGH" or "LOW" for fan speed. The fan will turn on as the stove comes up to operating temperature. After the unit has been turned off and the unit cooled to below a useful heat output range the fan will shut off automatically.

MAINTENANCE INSTRUCTIONS

- 1) Always turn off the valve before cleaning. For re-lighting, refer to lighting instructions. Keep the burner and control compartment clean by brushing and vacuuming at least once a year.

When cleaning the logs, use a soft clean paint brush as the logs are fragile and easily damaged.

- 2) Clean glass (never when unit is hot), appliance, louvers and door with a damp cloth. Never use an abrasive cleaner. The gold louvers (and optional gold door) may be scratched if abrasives are used to clean them.

The heater is finished in a heat resistant paint and should only be refinished with heat resistant paint (not with wall paint). Regency uses Stove Brite Paint - Metallic Black #6309.

- 3) Make a periodic check of burner for proper position and condition. Visually check the flame of the burner periodically, making sure the flames are steady; not lifting or floating. If there is a problem, call a qualified service person.
- 4) The appliance and venting system must be inspected before use, and at least annually, by a qualified field service person, to ensure that the flow of combustion and ventilation air is not obstructed.

During the annual service call, the burners should be removed from the burner tray and cleaned. Use the remaining embers that were saved during the installation to replace especially dirty or fragmented embers. Do not block the pilot.

- 5) Keep the area near the appliance clear and free from combustible materials, gasoline and other flammable vapours and liquids.

WARNING: CHILDREN AND ADULTS SHOULD BE ALERTED TO THE HAZARDS OF HIGH SURFACE TEMPERATURE AND SHOULD STAY AWAY TO AVOID BURNS OR CLOTHING IGNITION. YOUNG CHILDREN SHOULD BE CAREFULLY SUPERVISED WHEN THEY ARE IN THE SAME ROOM AS THE APPLIANCE.

CAUTION: ANY SAFETY SCREEN OR GUARD REMOVED FOR SERVICING AN APPLIANCE MUST BE REPLACED PRIOR TO OPERATING THE APPLIANCE.

CLOTHING OR OTHER FLAMMABLE MATERIAL SHOULD NOT BE PLACED ON OR NEAR THE APPLIANCE.

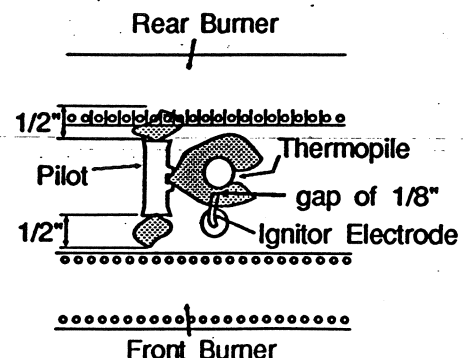
- 6) Each time the appliance is lit, it may cause condensation and fog the glass. This condensation and fog is normal and will disappear in a few minutes as the glass heats up.

Never operate the appliance without the glass properly secured in place or with the door open.

- 7) Periodically check the pilot flames, there should be three strong blue flames approx. 1/2" long - 1 flame to the front burner, 1 to the rear burner and 1 to the thermopile. See diagrams below.

If you have an incorrect flame pattern, contact your Regency dealer for further instructions.

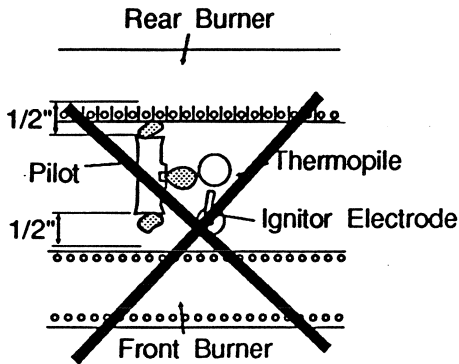
Correct flame pattern has three strong blue flames: 1 flowing around the thermopile and ignitor electrode, 1 flowing across the rear burner and 1 reaching towards the front burner (it does not have to be touching the burner).



Top View of pilot flame.

MAINTENANCE

Incorrect flame pattern will have small, probably yellow flames, not coming into proper contact with the rear burner or thermopile.



Top View of pilot flame

Log Replacement

The unit should never be used with broken logs. Turn off the gas valve and allow the unit to cool before opening door to carefully remove the logs. The pilot light generates enough heat to burn someone. If for any reason a log should need replacement, you must use the proper replacement log. The position of these logs must be as shown in the diagram under Log Installation.

NOTE: Improper positioning of logs may create carbon build-up and will alter the unit's performance which is not covered under warranty.

Gold-Plated Doors

The 24 carat gold plated finish on the door requires little maintenance, and need only be cleaned with a damp cloth. DO NOT use abrasive materials or chemical cleaners, as they may harm the finish and void the warranty. Clean any fingerprints off before turning the unit on. If the door starts to discolor, check the gasket seal and replace if necessary.

Door Gasket and Glass Gasket

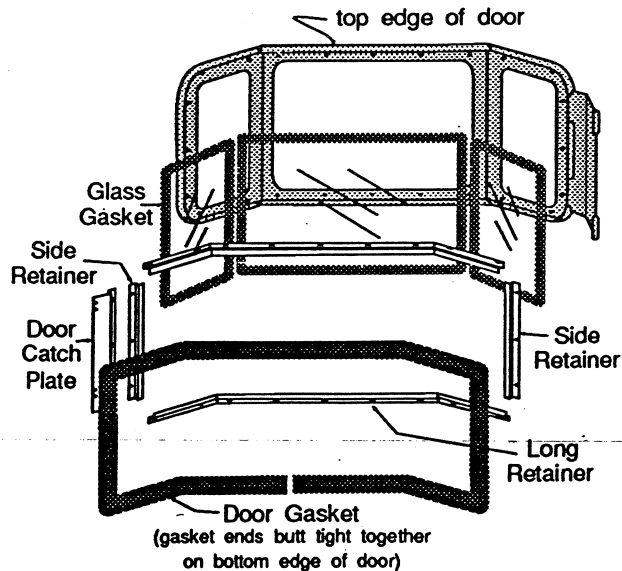
If the door gasket requires replacement use 7/8" diameter oval door gasket (Part # 650-920). The glass requires 5/8" flat glass gasket (Part # 846-530). See your Regency Dealer.

Glass Replacement

Your Regency stove is supplied with high temperature, 5 mm Neoceram ceramic glass that will withstand the highest heat that your unit will produce. In the event that you break your glass by impact, purchase your replacement from an authorized Regency dealer only, and follow our step-by-step instructions for replacement.

Glass Removal

- 1) Remove the door from the unit and place on a soft surface to prevent scratching.
- 2) Pull out the door gasket.
- 3) Remove the nuts holding the glass retainers in place.
- 4) Remove the glass retainers (sides, top and bottom) and the door catch plate.
- 5) Replace the glass. The glass must have gasketing around it.
- 6) Reverse the previous steps, replace the retainers and fasten with the nuts but do not overtighten, as this can break the glass. Note: the door catch plate fits on top of the left side retainer.
- 7) Put gasket glue on the retainers, but do not put glue on the screws. Replace the door gasket, the two ends butt tight together on the bottom edge of the door.
- 8) Replace door on the stove and check the seal.



Fan Maintenance

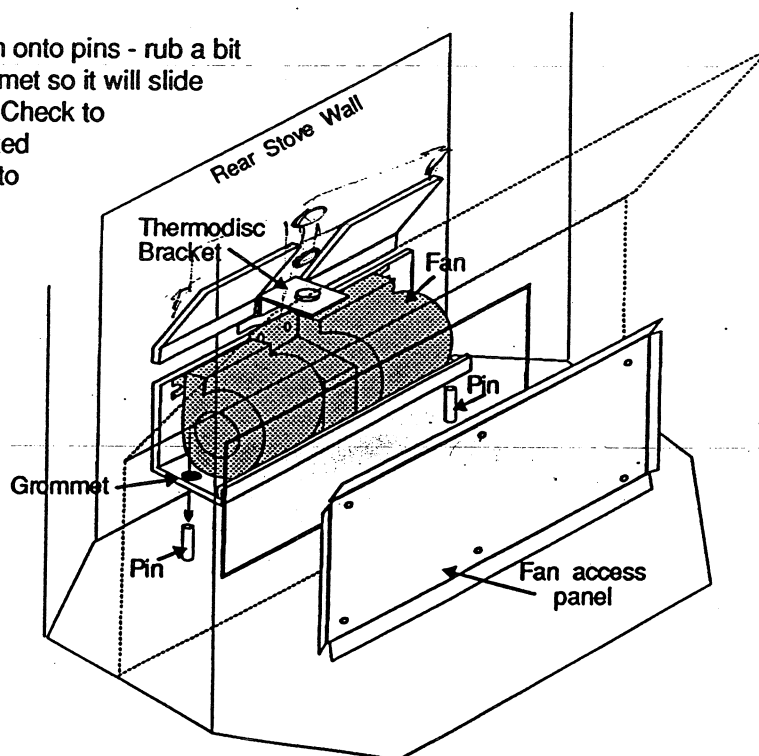
If your fan requires maintenance or replacement, access to the fan is through the plate on the rear wall of the firebox. **NOTE: the unit MUST NOT be operated without the fan access panel securely in place.**

To remove fan:

- 1) Unplug or disconnect power source to stove.
- 2) Remove all logs and the rear log supports, then remove the 6 screws holding the access panel in place.
- 3) Lift thermodisc bracket out of clip and disconnect white wire.
- 4) Open pedestal door and remove the access plate. Disconnect the top and bottom wires from the fan switch (the bottom switch).
- 5) Lift fan off of the 2 pins, tip on its back and pull through firebox opening.
- 6) Disconnect green wire from power cord.

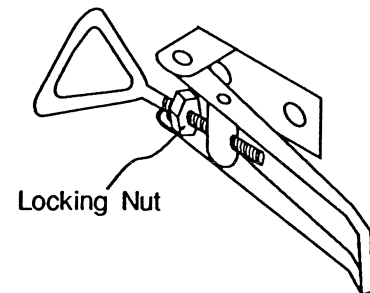
Replacing fan:

Reverse above steps.
Hint for pushing fan down onto pins - rub a bit of dish soap on the grommet so it will slide more easily onto the pin. Check to make sure the fan is seated properly on the pins - try to move the fan back and forth, there should be no noise, if there is check that the grommets haven't come loose.



Latch Adjustment

The door latch may require adjustment as the door gasket material compresses after a few fires and after glass replacement. Turn the locking nut on the adjustable latch to tighten or loosen the latch.



PARTS LIST

650-915	Fan Assembly
650-920	Door Gasket
650-932	Log Set
650-934	Embers
650-950	Front Burner
650-952	Rear Burner
650-960	Valve Assembly - Natural Gas
650-962	Valve Assembly - Propane
846-325	Large Center Glass
846-326	Small Side Glass

WARRANTY

Regency Fireplace products are designed with reliability and simplicity in mind. In addition, our internal Quality Assurance team carefully inspects each unit thoroughly before it leaves our door.

Regency Industries Ltd. is pleased to extend this warranty to the original purchaser of a Regency Gas Stove.

Heat Exchanger and Combustion Chamber

Regency Industries Limited warrants all Combustion Chambers to be free from defects in workmanship & material to the original purchaser for a period of 5 years from purchase.

Note: Discoloration and some minor movement of certain parts is normal and is not a defect and therefore not covered under warranty. **Overfiring of any appliance can cause serious damage and it is the responsibility of the installer to ensure that the appliance is firing as per rating plate.**

Electrical and Valve Components

Valves and electrical components such as switches, blowers, wiring, thermodiscs, and remote controls are warranted for 1 year from purchase date.

Note: Any part or parts which in our judgement show evidence of such defects will, at our option, be repaired or replaced through an accredited distributor or agent, provided that the defective part(s) is shipped back PREPAID to the distributor or agent.

Conditions and Exclusions

The serial # of the unit must be supplied along with the bill of sale showing date of purchase, at time of claim being submitted. This unit must be installed by a Qualified Gas Fitter: **any service call related to improper installation will not be honored. The appliance must be installed according to the installation instructions provided.**

Products made by other manufacturers and used in conjunction with the operation of this appliance may nullify your warranty.

Regency Industries Ltd. shall in no event be liable for any special, indirect, consequential damages of any nature whatsoever which are in excess of the original purchase price of the product.

The warranty will not extend to paint, glass, logs, gasket, burners, remote control batteries, or trim. The warranty will not extend to any part which has been tampered with or altered in any way, or in our judgement has been subjected to misuse, negligence or accident.

Complete the following information for future reference: Serial No. _____
Date Purchased _____ Model _____
Dealer's Name and Address _____

REGENCY INDUSTRIES LIMITED
7830 Vantage Way
Delta, BC. V4G 1A7

Customer: Please fill out and Mail. This will establish your Regency Warranty.

Date _____

Name _____

Address _____

City _____ Prov./State _____ Postal/Zip Code _____

Dealer's Name _____

Address _____

Model _____ Serial No. _____

Regency ULTIMATE Freestanding

Free Manuals Download Website

<http://myh66.com>

<http://usermanuals.us>

<http://www.somanuals.com>

<http://www.4manuals.cc>

<http://www.manual-lib.com>

<http://www.404manual.com>

<http://www.luxmanual.com>

<http://aubethermostatmanual.com>

Golf course search by state

<http://golfingnear.com>

Email search by domain

<http://emailbydomain.com>

Auto manuals search

<http://auto.somanuals.com>

TV manuals search

<http://tv.somanuals.com>