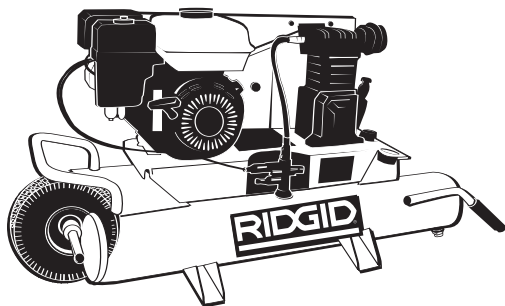


RIDGID[®]

GP90150A OPERATOR'S MANUAL



WHEELBARROW AIR COMPRESSOR

⚠ WARNING

To reduce the risk of injury, the user must read and understand the Operator's Manual before using this product.

IN629100AV 12/08

Printed in U.S.A.

Table of Contents

Section	Page	Section	Page
Table of Contents	2	Maintenance	13
Safety Instructions	3	Maintenance Schedule	13
Safety Signal Words	3	Tank	14
Before Using the Air		Filter Removal, Inspection, and	
Compressor	3	Replacement	14
Spraying Precautions	5	Drive Belt	15
Breathable Air Warning	5	Storage	15
Warning Labels	6	Troubleshooting	16
Glossary of Terms	7	Notes	19
Unpacking and Checking		Repair Parts	20
Content	7	Notes	22
Getting to Know Your Air		Warranty	24
Compressor	8		
Operating Your Air Compressor ...	10		
Moisture in Compressed Air	10		
Lubricaton	11		
Start-up	11		
To Start Gasoline Engine	12		

Safety Instructions

This manual contains information that is very important to know and understand. This information is provided for SAFETY and to PREVENT EQUIPMENT PROBLEMS. To help recognize this information, observe the following symbols.

Safety Signal Words

⚠ DANGER

Danger indicates an imminently hazardous situation which, if not avoided, **WILL** result in death or serious injury.

⚠ WARNING

Warning indicates a potentially hazardous situation which, if not avoided, **COULD** result in death or serious injury.

⚠ CAUTION

Caution indicates a potentially hazardous situation which, if not avoided, **MAY** result in minor or moderate injury.

NOTICE

Notice indicates important information, that if not followed, may cause damage to equipment.


Before Using the Air Compressor

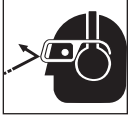
CALIFORNIA PROPOSITION 65

⚠ WARNING


This product or its power cord may contain chemicals, including lead, known to the State of California to cause cancer and birth defects or other reproductive harm. Wash hands after handling.

Since the air compressor and other components (pump, spray guns, filters, lubricators, hoses, etc.) used make up a high pressure pumping system, the following safety precautions must be observed at all times:

1. Read all manuals included with this product carefully. Be thoroughly familiar with the controls and the proper use of the equipment. 
2. Follow all local safety codes as well as the United States Occupational Safety and Health Act (OSHA).
3. Only persons well acquainted with these rules of safe operation should be allowed to use the compressor.
4. Keep visitors away and NEVER allow children in the work area.

5. Wear safety glasses (meeting ANSI Z87.1 or in Canada CSA Z94.3-99) and use hearing protection when operating the pump or unit. Everyday glasses are not safety glasses. 
6. Do not stand on or use the pump or unit as a handhold.
7. Before each use, inspect compressed air system, fuel system and electrical components for signs of damage, deterioration, weakness or leakage. Repair or replace defective items before using.
8. Check all fasteners at frequent intervals for proper tightness.

⚠ WARNING

Never operate compressor without a beltguard. Compressors can start automatically without warning. Personal injury or property damage could occur from contact with moving parts. 

9. Do not wear loose clothing or jewelry that will get caught in the moving parts of the unit.

Safety Instructions (continued)

⚠ CAUTION

Compressor parts may be hot even if the unit is stopped.



10. Keep fingers away from a running compressor; fast moving and hot parts will cause injury and/or burns.
11. If the equipment should start to vibrate abnormally, STOP the engine/motor and check immediately for the cause. Vibration is generally a warning of trouble.

⚠ WARNING

NEVER refuel a running or hot engine. Explosive fuel can cause fires and severe burns. Avoid overfilling fuel tank.



12. Check fuel level before starting the engine. Do not fill the gas tank indoors. Wipe off any spilled gas before starting the engine.

⚠ DANGER

Gasoline vapor is highly flammable. Refill outdoors or only in well ventilated areas. Do not store, spill or use gasoline near an open flame or heat devices such as a stove, furnace, or water heater, which utilize a pilot light, or any device that can create a spark. If gasoline is accidentally spilled, move unit away from the spill area and avoid creating any source of ignition until gasoline vapors have dissipated.

⚠ WARNING

Motors, electrical equipment and controls can cause electrical arcs that will ignite a flammable gas or vapor. Never operate or repair in or near a flammable gas or vapor. Never store flammable liquids or gases in the vicinity of the compressor.



⚠ WARNING

Carbon monoxide can cause severe nausea, fainting or death. Do not operate unit inside a closed building or a poorly ventilated area.



13. To reduce fire hazard, keep engine/motor exterior free of oil, solvent, or excessive grease.

⚠ WARNING

Never remove or attempt to adjust safety valve. Keep safety valve free from paint and other accumulations.

14. Do not tamper with governor setting on engine. Overspeeding the unit severely shortens engine life and may also be very hazardous.

⚠ DANGER

Never attempt to repair or modify a tank! Welding, drilling or any other modification will weaken the tank resulting in damage from rupture or explosion. Always replace worn or damaged tanks.



15. Tanks rust from moisture build-up, which weakens the tank. Make sure to drain tank daily and inspect periodically for unsafe conditions such as rust formation and corrosion.
16. Fast moving air will stir up dust and debris which may be harmful. Release air slowly when draining moisture or depressurizing the compressor system.
17. STOP the engine whenever leaving the work area, before cleaning, making repairs or inspections. When cleaning, repairing or inspecting, make certain all moving parts have stopped. Disconnect the spark plug wire and keep the wire away from the plug to prevent accidental starting.
18. Allow engine to cool before storing.

Spraying Precautions

▲WARNING

Do not spray flammable materials in vicinity of open flame or near ignition sources including the compressor unit.



19. Do not smoke when spraying paint, insecticides, or other flammable substances.
20. Use a face mask/respirator when spraying and spray in a well ventilated area to prevent health and fire hazards.
21. Do not direct paint or other sprayed material at the compressor. Locate compressor as far away from the spraying area as possible to minimize overspray accumulation on the compressor.
22. When spraying or cleaning with solvents or toxic chemicals, follow the instructions provided by the chemical manufacturer.

▲DANGER

Breathable Air Warning

This compressor/pump is not equipped and should not be used “as is” to supply breathing quality air. For any application of air for human consumption, the air compressor/pump will need to be fitted with suitable in-line safety and alarm equipment. This additional equipment is necessary to properly filter and purify the air to meet minimal specifications for Grade D breathing as described in Compressed Gas Association Commodity Specification G 7.1 - 1966, OSHA 29 CFR 1910. 134, and/or Canadian Standards Associations (CSA).

DISCLAIMER OF WARRANTIES

In the event the compressor is used for the purpose of breathing air application and proper in-line safety and alarm equipment is not simultaneously used, existing warranties shall be voided, and Campbell Hausfeld disclaims any liability whatsoever for any loss, personal injury or damage.

Safety Instructions (continued)

Warning Labels

Find and read all warning labels found on the air compressor shown below

⚠ WARNING

DRAIN TANK EVERY DAY TO PREVENT CORROSION AND POSSIBLE INJURY DUE TO TANK DAMAGE.

⚠ AVERTISSEMENT

PURGER LE RESERVOIR QUOTIDIENNEMENT AFIN D'ÉVITER LA CORROSION ET LE RISQUE DE BLESSURES CAUSE PAR LE DOMMAGE AU RESERVOIR

⚠ ADVERTENCIA

DRENE EL TANQUE DIARIAMENTE PARA EVITAR QUE SE OXIDE Y EL RIESGO DE HERIDAS DEBIDO A UN TANQUE DANADO.








**TO OPEN
POUR OUVRIR
PARA ABIR**

**VALVE BELOW
AOUPELA CI-DESSOUS
VALVULA ABAJO**



DK724200AV 1003

⚠ WARNING	⚠ AVERTISSEMENT	⚠ ADVERTENCIA
<p> • READ INSTRUCTION MANUAL BEFORE OPERATING.</p>	<p>• LIRE LE MANUEL D'UTILISATION AVANT DE FAIRE FONCTIONNER LE MODÈLE.</p>	<p>• LEA EL MANUAL DE INSTRUCCIONES ANTE DE OPERAR.</p>
<p> • RISK OF FIRE OR EXPLOSION - DO NOT SPRAY COMBUSTIBLE/FLAMMABLE LIQUID IN A CONFINED AREA. SPRAY AREA MUST BE WELL VENTILATED. DO NOT SMOKE WHILE SPRAYING OR SPRAY WHERE SPARK OR FLAME IS PRESENT. AVOID PARTS - KEEP COMPRESSOR AT LEAST 20 FEET AWAY FROM SPRAYING AREA AND ALL EXPLOSIVE VAPORS.</p>	<p>• RISQUE D'INCENDIE OU D'EXPLOSION - NE PAS PULVERISER LES LIQUIDES COMBUSTIBLES/INFLAMMABLES DANS UN ENDROIT CLOS. L'ENDROIT DE PULVERISATION DOIT ÊTRE BIEN VENTILÉ. NE PAS FUMER PENDANT LA PULVERISATION NI PULVERISER DANS L'ENDROIT D'UNE FLAMME OU D'UNE ÉTINCELLE. PIÈCES QUI PROJettent DES ÉTINCELLES - GARDER LE COMPRESSEUR AU MOINS 6.1 M DE L'ENDROIT DE PULVERISATION ET DE TOUTES VAPEURS EXPLOSIVES.</p>	<p>• RIESGO DE INCENDIO O EXPLOSIÓN - NO ROCEE LIQUIDOS COMBUSTIBLES/INFLAMMABLES EN UN AREA ENCERRADA. EL AREA DE TRABAJO DEBE ESTAR BIEN VENTILADA. NO FUME MIENTRAS ESTE ROCIANDO NI ROCEE CERCA DE CHISPAS O LLAMAS. PIEZAS QUE PRODUCEN ARROS ELECTRICOS/MANTENGA EL COMPRESOR AL MENOS A 6.1 M DE DISTANCIA DEL AREA DONDE ESTE ROCIANDO O DE DONDE HAYA CUALQUIER TIPO DE VAPORES EXPLOSIVOS.</p>
<p> • RISK OF INJURY - DO NOT DIRECT AIR STREAM AT BODY. USE EYE PROTECTION. COMPRESSOR STARTS AUTOMATICALLY. MOVING PARTS. DO NOT TOUCH. KEEP GUARDS IN PLACE. COMPRESSOR DOES NOT SUPPLY BREATHABLE AIR.</p>	<p>• RISQUE DE BLESSURE - NE PAS DIRIGER LE JET D'AIR VERS VOTRE CORPS. UTILISER LA PROTECTION OCULAIRE. LE COMPRESSEUR SE DEMARCHE AUTOMATIQUEMENT. PIÈCES MOBILES NY TOUCHEZ PAS. GARDER LES APPARELS PROTECTEURS EN PLACE. LE COMPRESSEUR NE FOURNIT PAS DE L'AIR RESPIRABLE.</p>	<p>• RIESGO DE HERIDAS - NO DIRIJA EL FLUJO DE AIRE DIRECTAMENTE AL CUERPO. PROTEJASE LA VISTA. EL COMPRESOR SE ENCIENDE AUTOMATICAMENTE. PIEZAS QUE SE MUEVEN, NO LAS TOQUE. MANTENGA LAS PROTEGIDAS. EL COMPRESOR NO LE SUMINISTRA AIRE RESPIRABLE.</p>
<p> • RISK OF BURSTING - DO NOT ADJUST REGULATOR TO RESULT IN OUTPUT PRESSURE GREATER THAN MARKED MAXIMUM PRESSURE OF ATTACHMENT. IF A REGULATOR HAS NOT BEEN INSTALLED, USE ONLY ATTACHMENT RATED AT 200 PSI OR HIGHER. DO NOT WELD ON OR REPAIR TANK - REPLACE. DO NOT OPERATE WITHOUT PROPER ASME SAFETY VALVE IN PLACE.</p>	<p>• RISQUE D'ÉCLATEMENT - NE PAS AJUSTER LE RÉGULATEUR AFIN D'OBTENIR UNE PRESSION DE DÉCHARGE PLUS ÉLEVÉE QUE LA PRESSION MAXIMUM DE L'ACCESSOIRE. S'IL N'Y A PAS DE RÉGULATEUR, UTILISER SEULEMENT LES ACCESSOIRES QUI SONT CLASSIFIÉS À 1379 kPa OU PLUS. NE PAS SOUDER SUR NI RÉPARER LE RÉSERVOIR - LE REMPLACER. NE PAS FAIRE FONCTIONNER SANS QU'IL Y AIT UNE SOUPEPE DE SÛRETÉ ASME EN PLACE.</p>	<p>• RIESGO DE EXPLOSIÓN - NO AJUSTE EL REGULADOR PARA OBTENER UNA PRESION DE SALIDA SUPERIOR A LA INDICADA COMO PRESION MAXIMA DEL ACCESORIO. SI NO HA INSTALADO UN REGULADOR, USE SOLO ACCESORIOS DISEÑADOS PARA PRESIONES DE 13.8 BAR O MÁS. NO SUELDE NI REPARE EL TANQUE - REEMPLACÉLO. NO LO OPERE SIN HABERLE INSTALADO UNA VALVULA DE SEGURIDAD ASME ADECUADA.</p>
<p> • RISK OF ELECTRICAL SHOCK - HAZARDOUS VOLTAGE. DISCONNECT FROM POWER SOURCE BEFORE SERVICING. COMPRESSOR MUST BE GROUNDING. DO NOT USE. GROUNDING ADAPTORS, DO NOT EXPOSE TO RAIN. STORE INDOORS.</p>	<p>• RISQUE DE SECOURS ÉLECTRIQUE - TENSION HASARDEUSE. DÉBRANCHER DE LA SOURCE DE PUISSANCE AVANT DE PROCÉDER À L'ENTRETIEN. LE COMPRESSEUR DOIT ÊTRE MIS À LA TERRE. NE PAS UTILISER DES ADAPTEURS DE MISE À LA TERRE. NE PAS EXPOSER À LA PLUIE. L'ENTREPOSER À L'INTÉRIEUR.</p>	<p>• RIESGO DE CHOQUE ELÉCTRICO - VOLTAJE PELIGROSO. DESCONECTELO DEL TOMACORRIENTES ANTES DE DARLE SERVICIO. EL COMPRESOR SE DEBE CONECTAR A TIERRA. NO USE ADAPTADORES PARA CONECTARLO A TIERRA. NO LO DEJE A LA INTemperIE. ALMACENALO BAJO TECHO.</p>
<p>IF CONNECTED TO A CIRCUIT PROTECTED BY FUSIBLES, USE TIME-DELAY FUSE MARKED "D".</p>	<p>SI BRANCHÉ À UN CIRCUIT PROTÉGÉ PAR DES FUSIBLES, UTILISER UNE FUSIBLE À RETARDÉMENT MARQUÉE "D".</p>	<p>SI LO CONECTA A UN CIRCUITO PROTEGIDO CON FUSIBLES, USE FUSIBLES DE ACCIÓN RETARDADA TIPO "D".</p>
<p>COMPLIES WITH CCR462 (L)2.</p>	<p>SE CONFORME AU CCR462 (L)2.</p>	<p>CUMPLE CON LAS ESPECIFICACIONES CCR462 (L)2. <small>DK724100AV 1003</small></p>

Glossary of Terms

ASME Safety Valve

A safety valve that automatically releases the air if the air receiver (tank) pressure exceeds the preset maximum.

PSI (Pounds per Square Inch)

Measurement of the pressure exerted by the force of the air. The actual psi output is measured by a pressure gauge on the compressor

SCFM (Standard Cubic Feet per Minute)

Sometimes called CFM (Cubic Feet per Minute). Measurement of air volume delivered by the compressor.

Air Delivery

A combination of psi and SCFM. The air delivery required by a tool is stated as (number) SCFM at (number) psi. The combination of these figures determines what size unit is needed.

Air Tank Capacity

The volume of air stored in the tank and available for immediate use. A large tank allows the intermittent use of an air tool with an air requirement higher than the compressor's rated delivery.

Regulator

A control that adjusts the line pressure to the proper amount needed to operate spray guns and air tools.

Tank Pressure Gauge

Indicates tank pressure in psi.

Line Pressure Gauge

Displays the current line pressures. It is regulated by the regulator knob.

Cut-in/Cut-off Pressure

Specific psi at which a compressor starts and stops while refilling the air tank.

Unpacking and Checking Contents

1. Remove the air compressor from the carton.
2. Place the compressor on a secure, stationary work surface and look it over carefully.

⚠WARNING

Do not operate unit if damaged during shipping, handling or use. Damage may result in bursting and cause injury or property damage.

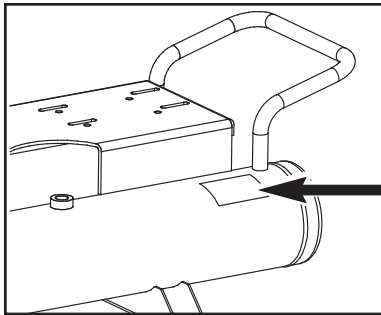
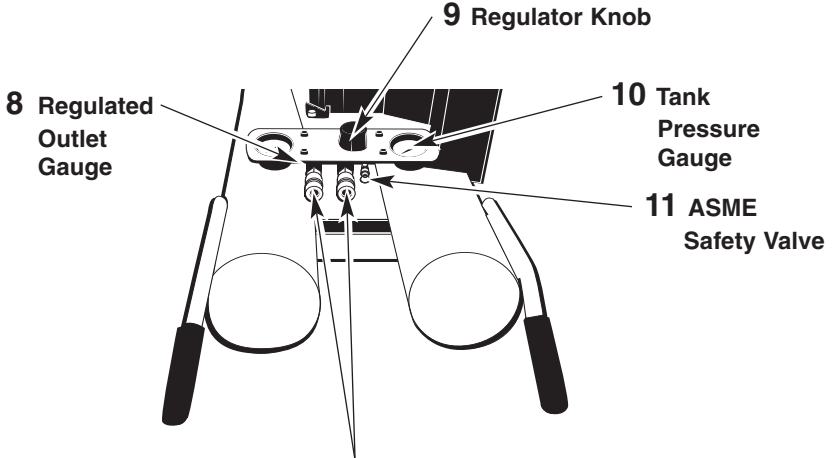
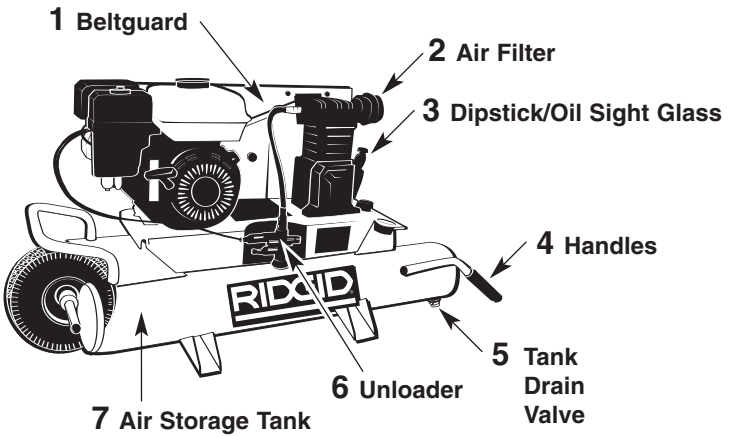
⚠WARNING

For your own safety, never operate unit until all assembly steps are complete and until you have read and understood the entire operator's manual.

⚠WARNING

To reduce the risk of injury, if any parts are missing, do not attempt to assemble the air compressor until the missing parts are obtained and installed correctly.

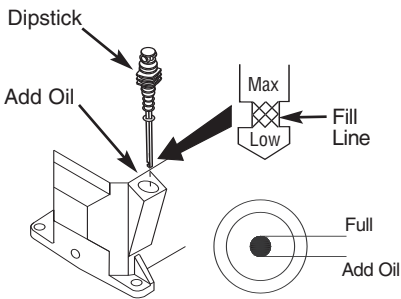
Getting to Know Your Air Compressor



Model/Serial Number Decal

- 1. Belt Guard.** The belt guard encloses the pulleys and drive belt. It protects the user from moving parts and directs cooling air to the compressor pump.
- 2. Air Filter.** The air filter keeps dirt and debris from entering the compressor pump and reduces compressor noise.
- 3. Dipstick/Oil Sight Glass.** The dipstick and oil sight glass both measure the oil level in the compressor pump.

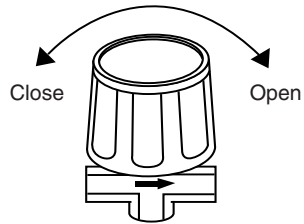
Your compressor may have either a dipstick or an oil sight glass.



- 4. Handles.** Used to move the compressor.
- 5. Tank Drain Valve.** The tank drain valve allows moisture to be removed from the tank.
NOTE: Each tank has its own tank drain valve.
- 6. Unloader.** The unloader controls the engine rpm. When loaded, the engine will run at maximum operating speed and air will enter the tank. When unloaded, the engine will slow to an idle and air will vent to atmosphere.
- 7. Air Storage Tanks.** The tanks store air for later use.

- 8. Regulated Outlet Gauge.** This gauge shows at-a-glance, air pressure at outlet. Air pressure is measured in pounds per square inch (PSI). Most tools have maximum pressure ratings. Never exceed the maximum pressure rating of the tool you are using. Be sure this gauge reads ZERO before changing air tools or disconnecting hose from outlet.

- 9. Regulator Knob.** This knob controls air pressure to an air operated tool or paint spray gun. Turning the knob clockwise increases air pressure at the outlet. Turning counterclockwise will lower air pressure at the outlet. Fully counterclockwise will shut off the flow of air completely.



- 10. Tank Pressure Gauge.** Gauge shows pressure in air receiver indicating compressor is building pressure properly.
- 11. ASME Safety Valve.** This valve automatically releases air if the tank pressure exceeds the preset maximum.
- 12. Air Outlet Fittings.** These fittings are 1/4" universal-style quick connect fittings and allow rapid tool changes.

Operating Your Air Compressor

NOTICE

Before starting the compressor, thoroughly read all component instruction manuals, especially the engine manual.

All lubricated compressor pumps discharge some condensed water and oil with the compressed air. Install appropriate water/oil removal equipment and controls as necessary for the intended application.

NOTICE

Drain liquid from tank daily.

⚠ CAUTION

Do not attach air tools to open end of the hose until start-up is completed and unit checks OK.

NOTICE

Failure to install appropriate water/oil removal equipment may result in damage to machinery or workpiece.

Moisture in Compressed Air

Moisture in compressed air will form into droplets as it comes from an air compressor pump. When humidity is high or when a compressor is in continuous use for an extended period of time, this moisture will collect in the tank. When using a paint spray or sandblast gun, this water will be carried from the tank through the hose, and out of the gun as droplets mixed with the spray material.

IMPORTANT: This condensation will cause water spots in a paint job, especially when spraying other than water based paints. If sandblasting, it will cause the sand to cake and clog the gun, rendering it ineffective.

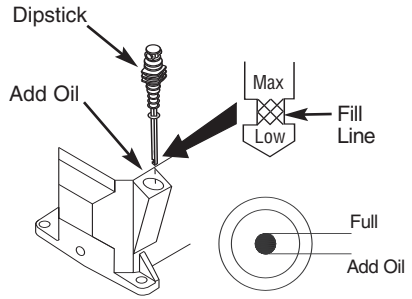
A filter in the air line, located as near to the gun as possible, will help eliminate this moisture.

Lubrication

This compressor is shipped with oil.

Use single viscosity, ISO 100 (SAE 30), non-detergent compressor oil; or Mobil 1® 5W30 or 10W30 synthetic oil may also be used. See illustration for proper oil fill.

Refer to engine manual for proper oil level and type.

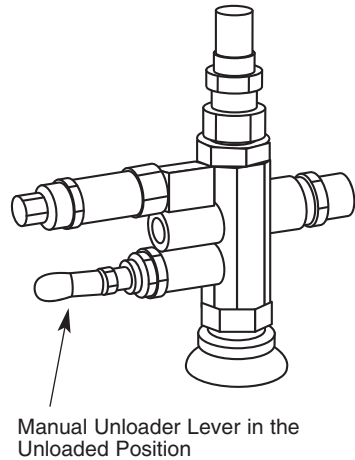


Start-Up

NOTICE

To ensure proper operation, unit must be on a level surface.

1. Fill engine with oil and gasoline per instructions furnished with engine.
2. Remove the compressor dipstick breather or check oil sight glass to verify proper oil level.
3. Turn manual unloader lever up to a horizontal position to allow the compressor pump to run without compressing air.

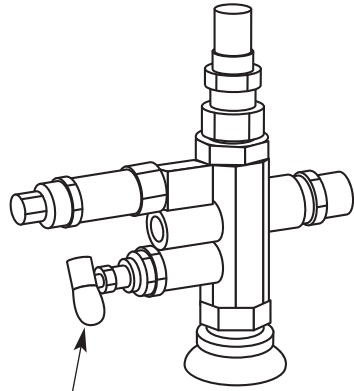


Operating Your Air Compressor (continued)

To Start Gasoline Engine

4. Move the choke lever to the CHOKE position, turn the fuel lever ON, and turn the engine stop switch to the ON position.
5. Pull start grip lightly until resistance is felt, and then pull briskly.
6. As the engine warms up, gradually move the choke lever to the open position. See gas engine manual for more details.
7. Run the compressor unloaded for approximately 30 minutes to break in the pump.
8. After approximately 30 minutes, move the unloader lever down to the loaded position. The compressor will begin to pump air into the tank.

When maximum tank pressure is reached, the compressor automatically unloads, bringing the engine to idle. The engine remains at idle until tank pressure falls to a preset level. The engine then accelerates and the compressor pumps additional air into the tank.



Manual Unloader Lever
in the Loaded Position

Maintenance

⚠ WARNING

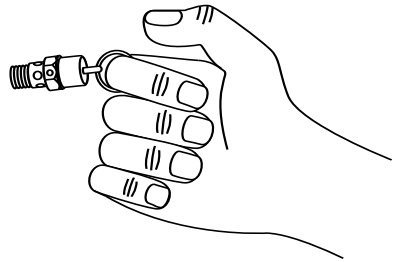
Release all pressure from the system before attempting to install, service, relocate or perform any maintenance.

In order to maintain efficient operation of the compressor system, check the air filter weekly (per maintenance schedule), oil level and gasoline level before each use. The ASME safety valve should also be checked weekly. Pull ring on safety valve and allow the ring to snap back to normal position. This valve automatically releases air if the tank pressure exceeds the preset maximum. If air leaks after the ring has been released, or the valve is stuck and cannot be actuated by the ring, the ASME safety valve **MUST** be replaced.

With engine OFF, clean debris from engine, flywheel, tank, air lines and pump cooling fins.

⚠ DANGER

Do not attempt to tamper with the ASME safety valve!



Maintenance Schedule

Operation	Daily	Weekly	Monthly	3 Months
Check Oil Level	●			
Drain Tank	●			
Check Air Filter		●		
Check Safety Valve		●		
Blow Dirt From Unit		●		
Check Belt Tightness			●	
Change Oil				●

Maintenance (continued)

Tank

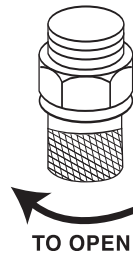
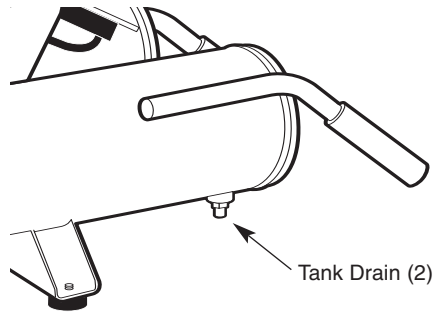
⚠ DANGER

Never attempt to repair or modify a tank! Welding, drilling or any other modification will weaken the tank resulting in damage from rupture or explosion. Always replace worn, cracked or damaged tanks.

NOTICE

Drain liquid from tanks daily.

The tanks should be carefully inspected at a minimum of once a year. Look for cracks forming near the welds. If a crack is detected, remove pressure from tank immediately and replace.



Filter Removal, Inspection and Replacement

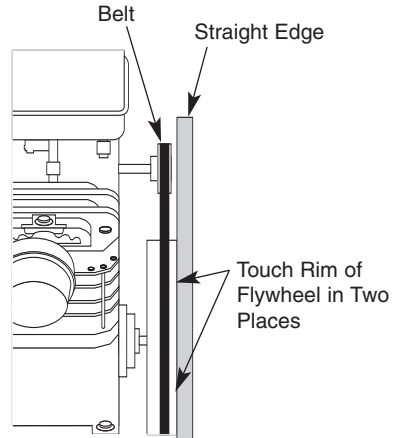
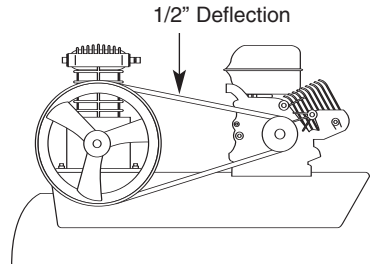
To change a filter, pull off the filter housing cover. If filter element is dirty, replace element or entire filter.

Drive Belt

Belt stretch is a result of normal use. When properly adjusted, the belt deflects about 1/2" with five pounds of pressure applied midway between the engine pulley and pump.

To adjust drive belt tension:

1. Remove belt guard and loosen engine brace.
2. Loosen the four fasteners holding the engine to the baseplate.
3. Shift the engine in the proper direction. The belt must be properly aligned when adjustment is made.
4. To align belt, lay a straight edge against the face of the flywheel, touching the rim at two places.
5. Adjust flywheel or engine pulley so that the belt runs parallel to the straight edge.
6. Use a gear puller to move the pulley on the shaft and tighten fasteners.
7. Adjust brace and reinstall belt guard.



Straight Edge Parallel With Belt

Storage

1. When not in use, hose and compressor should be stored in a cool, dry place.
2. Tanks should be drained of moisture.
3. Hose should be disconnected and hung with open ends down to allow any moisture to drain.

Troubleshooting

⚠ WARNING

For your own safety do not try and run the air compressor while troubleshooting.

TROUBLE	PROBABLE CAUSE	REMEDY
<p>Low discharge pressure</p>	<ol style="list-style-type: none"> 1. Air leaks 2. Leaking valves 3. Restricted air intake 4. Slipping belts 5. Blown gaskets 6. Low compression 	<ol style="list-style-type: none"> 1. Listen for escaping air. Apply soap solution to all fittings and connections. Bubbles will appear at points of leakage. Tighten or replace leaking fittings or connections 2. Remove head and inspect for valve breakage, weak valves, scored valve seats, etc. Replace defective parts and reassemble. <div data-bbox="660 781 979 821" style="border: 1px solid black; padding: 5px; margin: 10px 0;"> <h3>⚠ CAUTION</h3> </div> <p>Be sure that the old head gasket is replaced with a new one each time the head is removed</p> <ol style="list-style-type: none"> 3. Clean the air filter element 4. Loosen engine clamping bolts and move the engine in a direction away from the compressor, being sure that the engine pulley is perfectly aligned with the flywheel. Tighten engine clamping bolts. The belt should deflect about 1/2" under 5-lbs of force. Do not "roll" belts over pulleys 5. Replace any gaskets proven faulty on inspection 6. Low pressure can be due to worn rings and cylinder walls. Correction is made by replacing the rings, cylinders, and pistons as required

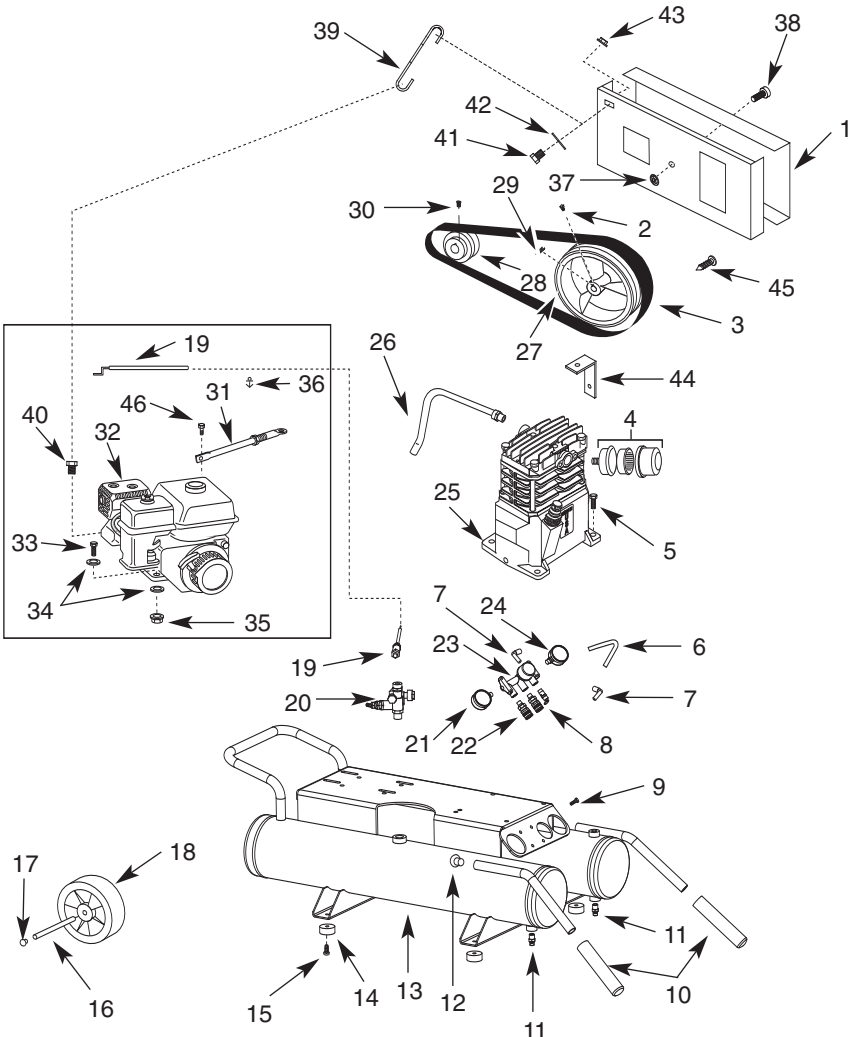
TROUBLE	PROBABLE CAUSE	REMEDY
Overheating	<ol style="list-style-type: none"> 1. Poor ventilation 2. Dirty cooling surfaces 	<ol style="list-style-type: none"> 1. Relocate the compressor to an area where an ample supply of cool, clean, dry and well-circulated air is available 2. Clean the cooling surfaces of pump and motor/engine
Excessive belt wear	<ol style="list-style-type: none"> 1. Pulley out of alignment 2. Belt too loose or too tight 3. Belt slipping 4. Pulley wobbles 	<ol style="list-style-type: none"> 1. Realign engine pulley with compressor pulley 2. Adjust tension (See Drive Belt Section) 3. Adjust tension or replace belt (See Drive Belt Section) 4. Check for worn crankshaft, keyway or pulley bore resulting from running the compressor or motor with loose pulleys. Check for bent pulleys or bent crankshaft
Unit stalls	<ol style="list-style-type: none"> 1. Low engine idle 2. Improper lubrication 3. Low oil level 4. Defective unloader valve 	<ol style="list-style-type: none"> 1. Increase idle, refer to engine manual for details 2. See LUBRICATION, under Assembly 3. Check oil level. Fill if necessary 4. Replace
Excessive noise (knocking)	<ol style="list-style-type: none"> 1. Loose engine or compressor pulley 2. Lack of oil in crankcase 3. Worn connecting rod 4. Worn piston pin bushing 	<ol style="list-style-type: none"> 1. Loose engine or compressor pulleys are a very common cause of compressors knocking. Tighten pulley clamp bolts and set-screws 2. Check for proper oil level; if low, check for possible damage to bearings. Dirty oil can cause excessive wear 3. Replace connecting rod 4. Remove piston assemblies from the compressor and inspect for excess wear. Replace excessively worn piston pin or pistons, as required

Troubleshooting

TROUBLE	PROBABLE CAUSE	REMEDY
<p>Excessive noise (knocking) <i>Continued</i></p>	<p>5. Worn bearings</p> <p>6. Piston hitting the valve plate</p> <p>7. Noisy check valve</p>	<p>5. Replace worn bearings and change oil</p> <p>6. Remove the compressor head and valve plate and inspect for carbon deposits or other foreign matter on top of piston. Replace head and valve plate using new gasket</p> <p>7. Replace</p>
<p>Oil in the discharge air</p>	<p>1. Worn piston rings</p> <p>2. Compressor air intake restricted</p> <p>3. Restricted breather</p> <p>4. Excessive oil in compressor</p> <p>5. Wrong oil viscosity</p> <p>6. Connecting rod out of alignment</p>	<p>1. Replace with new rings</p> <p>2. Clean filter. Check for other restrictions in the intake system</p> <p>3. Clean and check breather for free operation</p> <p>4. Drain down to full level</p> <p>5. Use SAE 30 (ISO 100) non-detergent compressor oil</p> <p>6. Replace rod</p>

Notes

Repair Parts



Repair Parts

For Repair Parts, Call 1-800-4-RIDGID

Please provide following information:

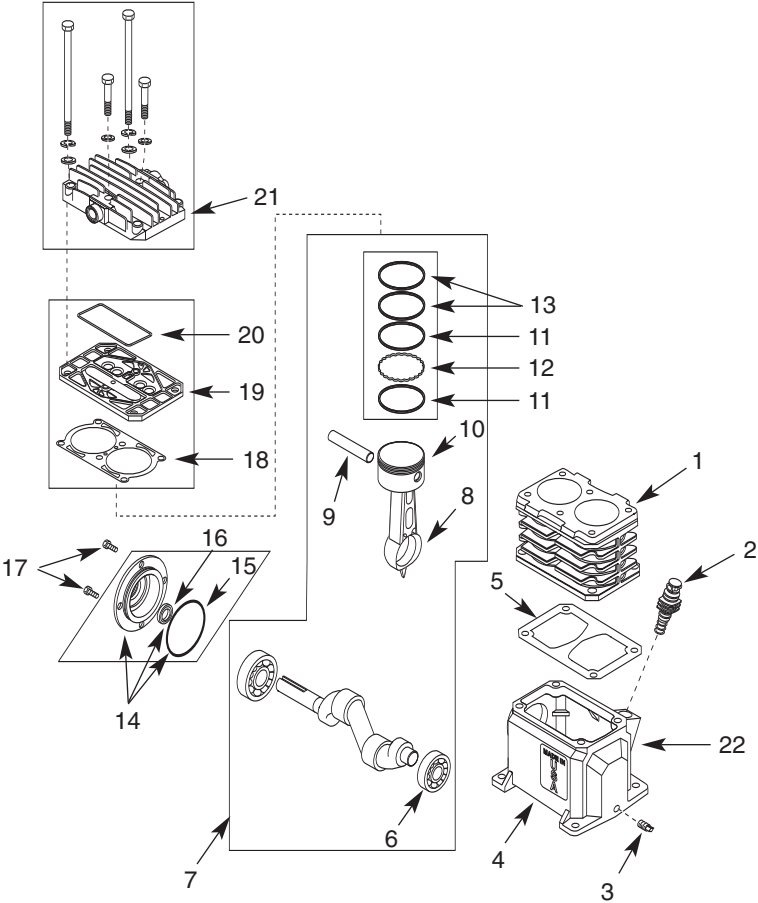
- Model number
- Serial number (if any)
- Part description and number as shown in parts list

Ref. No	Catalog Number	Part Number	Descriptions	Qty
1	17993	BG220901AJ	Belt guard assembly (includes 37-45)	1
2	—	—	Setscrew (included in 27)	1
3	18003	BT023100AV	* Belt (4L510)	1
4	17703	WL026100AV	Filter assembly	1
5	—	*	Screw	4
6	—	◆	Nylon tube	1
7	—	◆	Elbow fitting	2
8	17798	V-215106AV	ASME Safety valve	1
9	17783	ST071626AV	Torx screw	4
10	18028	ST160002AV	* Handle grip	2
11	17913	D-1403	* Drain valve	2
12	17918	ST073612AV	Plug	2
13	18033	AR053400OR	Tank	1
14	17853	ST158300AV	* Rubber foot	4
15	18038	ST116400AV	Screw	4
16	18043	AA021800AV	Axle rod	1
17	18048	ST073613AV	Plug	2
18	18053	WA005501AV	* 10" Pneumatic wheel	1
19	18058	CV006412AV	* Throttle control	1
20	—	ST171400AV	* Throttle unloader	1
21	17878	GA016709AV	* Gauge, outlet	1
22	17873	HF203300AV	* Coupler	2
23	17793	WL024501AV	* Regulator assy. (includes 21, 22 & 24)	1
24	17773	GA016705AV	* Gauge, tank	1
25	18068	VT470000AV	Pump	1
26	18073	ST186600AV	Discharge tube	1
27	18078	PU015901AV	Flywheel (includes 2)	1
28	18083	PU015400AV	Pulley	1
29	18088	KE000900AV	3/16" Key	1
30	18093	ST012200AV	Square head setscrew	1
31	18098	BG208800AJ	Brace assembly	1
32	18103	NG002502AV	Engine	1
33	18108	ST070625AV	Hex head screw	4
34	18113	ST011200AV	Washer	8
35	18118	AL014000AV	Locknut	4
36	18123	ST164100AV	Wire retainer	1
37	20978	ST033500AV	3/8" Flange nut	1
38	20983	ST084704AV	3/8" Shoulder bolt	1
39	22788	BG210000AV	Beltguard bracket (motor)	1
40	22793	ST070674AV	5/16" - 24 x 1/2" Bolt	1
41	20423	ST016000AV	5/16" - 18 x 3/4" Screw	1
42	18113	ST011200AV	5/16" Washer	1
43	20428	ST146001AV	5/16" - 18 Nut	1
44	21003	BG220400AV	Beltguard bracket (pump)	1
45	21008	ST073278AV	Beltguard fastener	8
46	22783	ST076829AV	M8 - 1.25 x 30 Bolt	1

REPAIR KITS

◆	22098	VT273500AJ	Tube kit	1
*	Considered Wear Items			
*	Standard hardware item - available at your local hardware store			

Repair Parts



Repair Parts

For Repair Parts, Call 1-800-4-RIDGID

Please provide following information:

- Model number
- Serial number (if any)
- Part description and number as shown in parts list

Ref. No	Catalog Number	Part Number	Descriptions	Qty
1	18128	VT040900AG	Cylinder	1
2	—	VH901100AV	Breather	1
3	18138	ST022300AV	1/8" NPT oil drain plug	1
4	18143	VT040300AG	Crankcase	1
5	—	●	Crankcase gasket	1
6	18148	ST084202AV	Ball bearing	2
7	18153	VT040600AJ	Crankshaft assembly	1
8	18158	VT040100AG	Connecting rod	2
9	18163	VS001400AV	Piston pin	2
10 ▲	18168	TQ011900AG	Piston	2
11 ■	—	■	Oil ring	4
12 ■	—	■	Expander	2
13 ■	—	■	Ring	4
14	18173	VT040200AJ	Bearing cap assembly	1
15	—	●	O-ring	1
16 ●	18178	ST129700AV	Oil seal	1
17	18183	—	M6-1.00 x 10 cap screw	4
18	—	●	Cylinder gasket	1
19	18188	VT470800AJ	Valve plate assembly	1
20	—	●	Valve plate gasket	1
21	18193	TQ900800AJ	Cylinder head & fasteners	1
22	27433	ST191700AV	Sight Glass with o-ring	1
REPAIR KITS				
●	18198	VT470900AJ	Gasket kit	1
■	18203	VT210401AJ	Piston ring set	1
▲	18208	VT005501AJ	Piston service kit	2



Catalog No. GP90150A

Serial No. _____

Model No. GP90150A
The model and serial numbers may be found on your unit. You should record both model and serial number in a safe place for future use.

RIDGID™ AIR COMPRESSOR LIMITED THREE YEAR WARRANTY

This product is manufactured by Campbell Hausfeld. The trademark is licensed from Ridgid, Inc. All warranty communications should be directed to RIDGID air compressor technical service at (toll free) 1-800-4-RIDGID.

WHAT IS COVERED UNDER THE LIMITED THREE YEAR WARRANTY

This warranty covers all defects in workmanship or materials in this RIDGID air compressor for the three-year period from the date of purchase. This warranty is specific to this air compressor. Warranties for other RIDGID products may vary.

HOW TO OBTAIN SERVICE

To obtain service for this RIDGID air compressor you must return it, freight prepaid, to a service center authorized to repair RIDGID air compressors. You may obtain the location of the service center nearest you by calling (toll free) 1-800-4-RIDGID or by logging on to the RIDGID website at www.ridgid.com. When requesting warranty service, you must present the proof of purchase documentation, which includes a date of purchase. The authorized service center will repair any faulty workmanship, and either repair or replace any defective part, at Campbell Hausfeld's option at no charge to you.

WHAT IS NOT COVERED

This warranty applies only to the original purchaser at retail and may not be transferred. This warranty does not cover normal wear and tear or any malfunction, failure or defect resulting from misuse, abuse, neglect, alteration, modification or repair by other than a service center authorized to repair RIDGID branded air compressors. Expendable materials, such as oil, filters, etc. are not covered by this warranty. Gasoline engines and components are expressly excluded from coverage and you must comply with the warranty given by the engine manufacturer, which is supplied with the product. **CAMPBELL HAUSFELD MAKES NO WARRANTIES, REPRESENTATIONS OR PROMISES AS TO THE QUALITY OR PERFORMANCE OF ITS AIR COMPRESSORS OTHER THAN THOSE SPECIFICALLY STATED IN THIS WARRANTY. RIDGID, INC. MAKES NO WARRANTIES OR REPRESENTATIONS, EXPRESS OR IMPLIED, INCLUDING AS NOTED BELOW.**

ADDITIONAL LIMITATIONS

To the extent permitted by applicable law, all implied warranties, including warranties of MERCHANTABILITY or FITNESS FOR A PARTICULAR PURPOSE, are disclaimed. Any implied warranties, including warranties of merchantability or fitness for a particular purpose, that cannot be disclaimed under state law are limited to three years from the date of purchase. Campbell Hausfeld is not responsible for direct, indirect, incidental, special or consequential damages. Some states do not allow limitations on how long an implied warranty lasts and/or do not allow the exclusion or limitation of incidental or consequential damages, so the above limitations may not apply to you. This warranty gives you specific legal rights, and you may also have other rights, which vary from state to state.

QUESTIONS OR COMMENTS

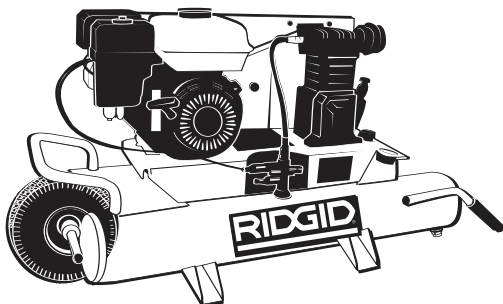
CALL 1-800-4-RIDGID

www.ridgid.com

Please have your Model Number and Serial Number on hand when calling.

RIGID®

GP90150A MANUAL DEL OPERADOR



COMPRESOR DE AIRE CON CARRETILLA

▲ ADVERTENCIA

Para reducir el riesgo de lesiones, el usuario debe leer y comprender el Manual del Operador antes de usar este producto.

IN629100AV 12/08

Impreso en EUA

Table of Contents

Sección	Página	Sección	Página
Índice	2	Mantenimiento	14
Instrucciones de seguridad	3	Planificación del mantenimiento ...	14
Palabras de señal de seguridad ...	3	Tanque	15
Antes de usar el compresor de aire	.3	Para Desmontar, Chequear y	
Precauciones Para Rociar5	Reemplazar el Filtro	15
Advertencia Sobre el Aire		Bandas	16
Respirable6	Almacenamiento	16
Etiquetas de advertencia7	Planificación del mantenimiento ..	16
Glosario8	Diagnóstico de averías	17
Desempaque y verificación del		Piezas de reparación	20
contenido8	Notas	22
Conozca su compresor de aire9	Garantía	24
Funcionamiento del compresor			
de aire	11		
Humedad En El Aire			
Comprimido	11		
Lubricacion	12		
Encendido	12		
Para encender el motor de gasolina	.13		

Instrucciones de seguridad

Este manual contiene información que es muy importante que sepa y comprenda. Esta información se la suministramos como medida de SEGURIDAD y para EVITAR PROBLEMAS CON EL EQUIPO. Debe reconocer los siguientes símbolos.

Palabras de señal de seguridad

▲ PELIGRO

Ésto le indica que hay una situación inmediata que **LE OCASIONARIA** la muerte o heridas de gravedad.

▲ ADVERTENCIA

Ésto le indica que hay una situación que **PODRÍA** ocasionarle la muerte o heridas de gravedad.

▲ PRECAUCION

Ésto le indica que hay una situación que **PODRÍA** ocasionarle heridas no muy graves.

AVISO

Ésto le indica una información importante, que de no seguirla, le podría ocasionar daños al equipo.

Antes de usar el compresor de aire

PROPOSICIÓN 65 DE CALIFORNIA

▲ ADVERTENCIA

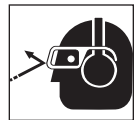
Este producto o su cable de corriente pueden contener químicos, incluido plomo, que es conocido por el Estado de California como causante de cáncer y defectos de nacimiento u otros daños reproductivos. Lávese las manos después de manipularlo.

Como el compresor de aire y otros componentes usados (cabezales, pistolas pulverizadoras, filtros, lubricadores, mangueras, etc.), forman parte de un sistema de bombeo de alta presión, deberá seguir las siguientes medidas de seguridad todo el tiempo:

1. Lea con cuidado todos los manuales incluidos con este producto. Familiarícese con los controles y el uso adecuado del equipo.



2. Siga todos los códigos de seguridad laboral establecidos en su país, por ejemplo, los de la OSHA en EE.UU.
3. Este compresor sólo debe ser usado por personas que estén bien familiarizadas con las reglas de seguridad de manejo.
4. Mantenga a los visitantes alejados y NUNCA permita la presencia de niños en el área de trabajo.
5. Use gafas de seguridad (aprobadas por ANSI Z87.1 o en Canadá CSA Z94.3-99) y protecciones para los oídos cuando opera la bomba o la unidad. Las gafas diarias no son gafas de seguridad.
6. No se encarama sobre el cabezal ni lo use para sostenerse.
7. Antes de cada uso, inspeccione el sistema de aire comprimido, sistema de combustible y los componentes eléctricos para ver si están dañados, deteriorados, desgastados o tienen fugas. Repare o reemplace las piezas dañadas antes de usar el equipo.
8. Chequee todas las conexiones frecuentemente para cerciorarse de que estén bien apretadas.



Instrucciones de seguridad (continuación)

⚠ ADVERTENCIA



Nunca utilice el compresor sin la tapa de las bandas. Los compresores se pueden encender automáticamente sin previo aviso. Las piezas en movimiento podrían ocasionarle heridas o daños a su propiedad.

9. No se ponga ropa muy holgada o joyas, ya que éstas se le podrían enredar en las piezas en movimiento.

⚠ PRECAUCIÓN



Las piezas del compresor podrían estar calientes inclusive cuando la unidad esté apagada.

10. Mantenga los dedos alejados del compresor cuando éste esté funcionando; las piezas en movimiento o calientes le ocasionarían heridas y/o quemaduras.
11. Si el equipo comienza a vibrar excesivamente, APAGUE el motor y chequéelo inmediatamente para determinar la razón. Generalmente, la vibración excesiva se debe a una falla.

⚠ ADVERTENCIA



NUNCA le ponga combustible al motor mientras esté encendido o caliente. El combustible podría ocasionar incendios y quemaduras graves. Evite rebosar el tanque de combustible.

12. Chequéé el nivel del combustible antes de encender el motor. No le ponga combustible al motor dentro de

un área encerrada. Limpie cualquier derrame de gasolina antes de encender el motor.

⚠ PELIGRO



El vapor emitido por la gasolina es muy inflamable. Sólo debe ponerle gasolina al aire libre o en áreas bien ventiladas. No almacene, derrame o use gasolina cerca de llamas al descubierto o artefactos que tengan un piloto como cocinas, calefacciones, calentadores de agua, o ninguna otra fuente de chispas. Si derrama gasolina accidentalmente, mueva la unidad fuera del área y evite que se creen fuentes de ignición hasta que los vapores de la gasolina se hayan disipado.

⚠ ADVERTENCIA



Los motores, equipos eléctricos y controles, pueden ocasionar arcos eléctricos que se encenderían con gases o vapores inflamables. Nunca utilice o repare el compresor cerca de gases o vapores inflamables. Nunca almacene líquidos o gases inflamables cerca del compresor.

⚠ ADVERTENCIA



El monóxido de carbono le puede ocasionar náuseas severas, desmayos o la muerte. No utilice el compresor dentro de un edificio encerrado o con poca ventilación.

13. Para reducir el peligro de incendio, mantenga el exterior del motor libre de aceite, solventes o exceso de grasa.

⚠ ADVERTENCIA

Nunca desconecte ni trate de ajustar la válvula de seguridad. Evite que se le acumule pintura u otros residuos.

14. No modifique los controles del motor. Al acelerar la unidad excesivamente, reducirá drásticamente la duración del motor y podría ser peligroso.

⚠ PELIGRO



¡Nunca trate de reparar o modificar el tanque! Si lo suelda, taladra o modifica de cualquier otra manera, el tanque se debilitará y podría romperse o explotar. Siempre reemplace los tanques desgastados o dañados.

15. Los tanques se oxidan debido a la acumulación de humedad y esto debilita el tanque. Asegúrese drenar el tanque a diario e inspeccionar periódicamente en busca de condiciones inseguras, como pueden ser formación óxido y corrosión.

16. La circulación rápida de aire podría levantar polvo y desperdicios dañinos. Siempre libere el aire lentamente para drenar el tanque o liberar la presión del sistema.

17. APAGUE el motor cada vez que se vaya a alejar del área de trabajo, antes de limpiar, reparar o inspeccionar la unidad. Antes de limpiarla, repararla o inspeccionarla cerciórese de que todas las piezas de la unidad se hayan parado. Desconecte el cable de la bujía y mántengalo alejado de la bujía para evitar que se encienda accidentalmente.

18. Espere a que el motor se enfríe antes de almacenarlo.

Precauciones Para Rociar

⚠ ADVERTENCIA



Nunca rocíe materiales inflamables cerca de llamas al descubierto o fuentes de ignición, incluyendo el compresor.

19. No fume mientras esté rociando pintura, insecticidas u otras sustancias inflamables.

20. Use una máscara/respirador cuando vaya a rociar y siempre rocíe en un área bien ventilada, para evitar peligros de salud e incendios.

21. Nunca rocíe la pintura y otros materiales, directamente hacia el compresor. Coloque el compresor lo más lejos posible del área de trabajo, para minimizar la acumulación de residuos en el compresor.

22. Al rociar o limpiar con solventes o químicos tóxicos, siga las instrucciones del fabricante de dichos químicos.

▲ PELIGRO

Advertencia Sobre el Aire Respirable

Este compresor/cabezal no viene listo de fábrica para suministrarle aire respirable. Antes de utilizarlos con este fin deberá instalarle un sistema de seguridad y alarma incorporado a la línea. Este sistema adicional es necesario para filtrar y purificar el aire adecuadamente para cumplir con las especificaciones mínimas sobre aire respirable de Grado D descritas en la Especificación de Productos G 7.1 - 1966 de la Asociación de Aire Comprimido. Igualmente, deberá cumplir los requisitos establecidos por el Artículo 29 CFR 1910. 134 de la Organización norteamericana OSHA y/o la Canadian Standards Associations (CSA).

RENUNCIA A LAS GARANTIAS

Si el compresor se utiliza para producir aire respirable SIN haberle instalado el sistema de seguridad y alarma, todas la garantías se anularán y la compañía Campbell Hausfeld no asumirá NINGUNA responsabilidad por pérdidas, heridas personales o daños.

Etiquetas de advertencia

Busque y lea todas las etiquetas de advertencia que se muestran abajo y que se encuentran en el compresor de aire

⚠ WARNING

DRAIN TANK EVERY DAY TO PREVENT CORROSION AND POSSIBLE INJURY DUE TO TANK DAMAGE.

⚠ AVERTISSEMENT

PURGER LE RESERVOIR QUOTIDIENNEMENT AFIN D'EVITER LA CORROSION ET LE RESQUE DE BLESSURES CAUSE PAR LE DOMMAGE AU RESERVOIR

⚠ ADVERTENCIA

DRENE EL TANQUE DIARIAMENTE PARA EVITAR QUE SE OXIDE Y EL RIESGO DE HARIDAS DEBIDO A UN TANQUE DANADO.



VALVE BELOW
AOUPEAU CDESSOUS
VALVULA ABAJO



TO OPEN
POUR OUVRIR
PARA ABIR

DK724200AV 1003

⚠ WARNING	⚠ AVERTISSEMENT	⚠ ADVERTENCIA
<p>ⓘ</p> <p>• READ INSTRUCTION MANUAL BEFORE OPERATING.</p> <p>• RISK OF FIRE OR EXPLOSION - DO NOT SPRAY COMBUSTIBLE/FIAMMABLE LIQUID IN A CONFINED AREA. SPRAY AREA MUST BE WELL VENTILATED. DO NOT SMOKE WHILE SPRAYING OR SPRAY WHERE SPARK OR FLAME IS PRESENT. PRONG PARTS - KEEP COMPRESSOR AT LEAST 20 FEET AWAY FROM SPRAYING AREA AND ALL EXPLOSIVE VAPORS.</p> <p>• RISK OF INJURY - DO NOT DIRECT AIR STREAM AT BODY. USE EYE PROTECTION. COMPRESSOR STARTS AUTOMATICALLY. MOVING PARTS. DO NOT TOUCH. KEEP GUARDS IN PLACE. COMPRESSOR DOES NOT SUPPLY BREATHABLE AIR.</p> <p>• RISK OF BURSTING - DO NOT ADJUST REGULATOR TO RESULT IN OUTPUT PRESSURE GREATER THAN MARKED MAXIMUM PRESSURE OF ATTACHMENT. IF A REGULATOR HAS NOT BEEN INSTALLED, USE ONLY ATTACHMENT RATED AT 200 PSI OR HIGHER. DO NOT WELD ON OR REPAIR TANK - REPLACE. DO NOT OPERATE WITHOUT PROPER ASME SAFETY VALVE IN PLACE.</p> <p>• RISK OF ELECTRICAL SHOCK - HAZARDOUS VOLTAGE. DISCONNECT FROM POWER SOURCE BEFORE SERVICING. COMPRESSOR MUST BE GROUNDED. DO NOT USE GROUNDING ADAPTORS. DO NOT EXPOSE TO RAIN. STORE IN DOORS.</p> <p>IF CONNECTED TO A CIRCUIT PROTECTED BY FUSES, USE TIME-DELAY FUSE MARKED "D".</p> <p>COMPLIES WITH CCR462 (L)2.</p>	<p>• LIRE LE MANUEL D'UTILISATION AVANT DE FAIRE FONCTIONNER LE MODÈLE.</p> <p>• RIEQUE D'INCENDIE OU D'EXPLOSION - NE PAS PULVERISER LES LIQUIDES COMBUSTIBLES/INFLAMMABLES DANS UN ENDROIT CLOS. L'ENDROIT DE PULVERISATION DOIT ÊTRE BIEN VENTILÉ. NE PAS FUMER PENDANT LA PULVERISATION NI PULVERISER DANS L'ENDROIT D'UNE FLAMME OU D'UNE ÉTINCELLE. PIÈCES QUI PROJETENT DES ÉTINCELLES - GARDER LE COMPRESSEUR AU MOINS 6,1 M. DE L'ENDROIT DE PULVERISATION ET DE TOUTES VAPEURS EXPLOSIVES.</p> <p>• RIEQUE DE BLESSURE - NE PAS DIRIGER LE JET D'AIR VERS VOTRE CORPS. UTILISER LA PROTECTION OCULAIRE. LE COMPRESSEUR SE DÉMARRER AUTOMATIQUEMENT. PIÈCES MOBILES N'Y TOUCHEZ PAS. GARDER LES APPARELS PROTÉCTEURS EN PLACE. LE COMPRESSEUR NE FOURNIT PAS DE L'AIR RESPIRABLE.</p> <p>• RIEQUE D'ÉCLATEMENT - NE PAS AJUSTER LE RÉGULATEUR AFIN D'OBTENIR UNE PRESSION DE DÉCHARGE PLUS ÉLEVÉE QUE LA PRESSION MAXIMUM DE L'ACCESSOIRE. S'IL N'Y A PAS DE RÉGULATEUR, UTILISER SEULEMENT LES ACCESSOIRES QUI SONT CLASSIFIÉS À 1379 KPa OU PLUS. NE PAS SOUDER SUR/NI RÉPARER LE RESERVOIR - LE REMPLACER. NE PAS FAIRE FONCTIONNER SANS OUTIL Y AIT UNE SOUPEAU DE SÛRETÉ ASME EN PLACE.</p> <p>• RIEQUE DE SECOURS ÉLECTRIQUE - TENSION HASARDEUSE. DÉBRANCHER DE LA SOURCE DE PUISSANCE AVANT DE PROCÉDER À L'ENTRETIEN. LE COMPRESSEUR DOIT ÊTRE MIS À LA TERRE. NE PAS EXPOSER À LA PLUIE. L'ENTRÉE EN INTÉRIEUR.</p> <p>SI BRANCHÉ À UN CIRCUIT PROTÉGÉ PAR DES FUSIBLES, UTILISER UNE FUSIBLE À REMPLACEMENT MARQUÉE "D".</p> <p>SE CONFORME AU CCR462 (L)2.</p>	<p>• LEA EL MANUAL DE INSTRUCCIONES ANTE DE OPERAR.</p> <p>• RIESGO DE INCENDIO O EXPLOSIÓN - NO ROCE LOS LÍQUIDOS COMBUSTIBLES/INFLAMMABLES EN UN ÁREA ENCERRADA. EL ÁREA DE TRABAJO DEBE ESTAR BIEN VENTILADA. NO FUME MIENTRAS ESTE ROCIANDO NI ROCE CERCA DE CHISPAS O LLAMAS QUE PRODUCEN ARCOS ELÉCTRICOS. MANTENGA EL COMPRESOR AL MENOS A 6,1 M. DE DISTANCIA DEL ÁREA DONDE ESTE ROCIANDO O DE DONDE HAYA CUALQUIER TIPO DE VAPORES EXPLOSIVOS.</p> <p>• RIESGO DE HERIDAS - NO DIRIJA EL FLUJO DE AIRE DIRECTAMENTE AL CUERPO. PROTÉJASE LA VISTA. EL COMPRESOR SE ENCIENDE AUTOMÁTICAMENTE. PIEZAS QUE SE MUEVEN, NO LAS TOQUE. MANTÉNGALAS PROTEGIDAS. EL COMPRESOR NO LE SUMINISTRA AIRE RESPIRABLE.</p> <p>• RIESGO DE EXPLOSIÓN - NO AJUSTE EL REGULADOR PARA OBTENER UNA PRESIÓN DE SALIDA SUPERIOR A LA INDICADA COMO PRESIÓN MÁXIMA DEL ACCESORIO. SI NO HA INSTALADO UN REGULADOR, USE SOLO ACCESORIOS DISEÑADOS PARA PRESIONES DE 13,8 BAR O MÁS. NO SUELDE NI REPARÉ EL TANQUE - REEMPLÁCELO. NO LO OPERE SIN HABERLE INSTALADO UNA VALVULA DE SEGURIDAD ASME ADECUADA.</p> <p>• RIESGO DE CHOQUE ELÉCTRICO - VOLTAJE PELIGROSO. DESCONÉCTELO DEL TOMACORRIENTES ANTES DE DARLE SERVICIO. EL COMPRESOR SE DEBE CONECTAR A TIERRA. NO USE ADAPTADORES PARA CONECTARLO A TIERRA. NO LO DEJE A LA INTemperIE. ALMACÉNELO BAJO TECHO.</p> <p>SI LO CONECTA A UN CIRCUITO PROTEGIDO CON FUSIBLES, USE FUSIBLES DE ACCIÓN RETARDADA TIPO "D".</p> <p>CUMPLE CON LAS ESPECIFICACIONES CCR462 (L)2. DK721002AV 14</p>

Glosario

Válvula de seguridad ASME

Esta válvula libera automáticamente el exceso de aire cuando la presión ha alcanzado la presión máxima fijada.

PSI (libras por pulgada cuadrada)

Unidad de medida de la presión ejercida por la fuerza del aire. La salida real en psi se mide con un manómetro en el compresor.

SCFM (pies cúbicos estándar por minuto)

A veces llamado CFM (pies cúbicos por minuto). Unidad de medida del volumen de aire entregado por el compresor.

Entrega de aire

Una combinación de psi y SCFM. La entrega de aire que necesita una herramienta está dada por (número) SCFM a (número) psi. La combinación de estas cifras determina el tamaño de unidad que se necesita.

Capacidad del tanque de aire

El volumen de aire almacenado en el tanque y disponible para su uso inmediato. Un tanque grande permite el uso intermitente de una herramienta neumática con un requisito de aire mayor que la entrega promedio del compresor.

Regulador

Un control que ajusta la presión de la línea a la cantidad adecuada necesaria para hacer funcionar pistolas de rociado y herramientas neumáticas.

Manomètre de réservoir

Indica la presión del tanque en psi.

Manómetro de línea

Muestra la presión actual de la línea. Se regula con la perilla reguladora.

Presión conexión/desconexión

PSI específico al que un compresor se enciende o se detiene mientras se rellena el tanque de aire.

Desempaque y verificación del contenido

1. Retire el compresor de aire de la caja.
2. Coloque el compresor en una superficie de trabajo segura y fija, y examínelo cuidadosamente.

⚠ ADVERTENCIA

No haga funcionar la unidad si se dañó durante el envío, el manejo o el uso. Los daños pueden provocar una explosión y causar lesiones o daño a la propiedad.

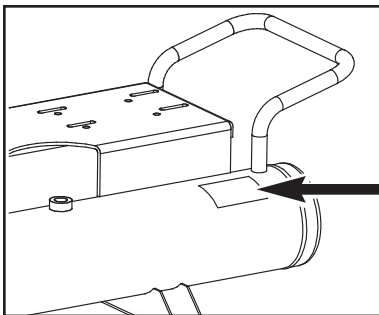
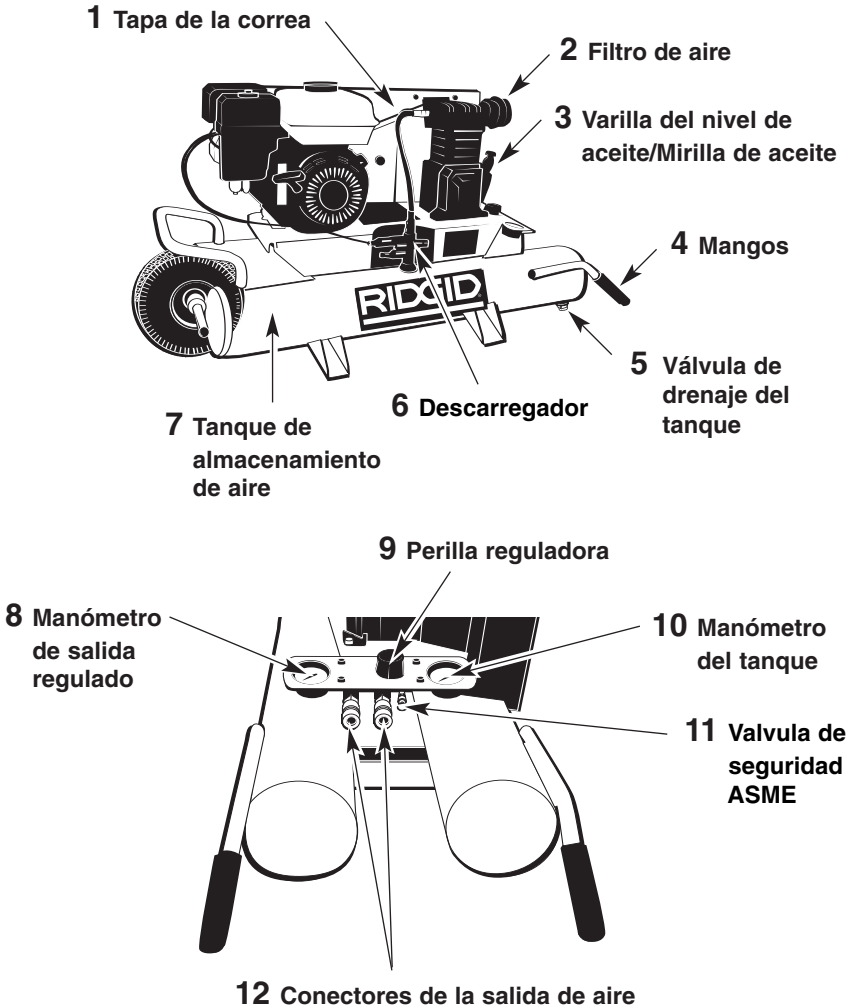
⚠ ADVERTENCIA

Para su propia seguridad, nunca haga funcionar la unidad hasta que todos los pasos de ensamblaje estén completos y hasta que haya leído y entendido todo el manual del operador.

⚠ ADVERTENCIA

Para reducir el riesgo de lesiones, si falta alguna pieza, no intente ensamblar el compresor de aire hasta obtener e instalar correctamente las piezas faltantes.

Conozca su compresor de aire

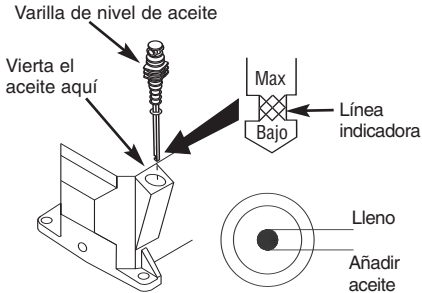


Etiqueta adhesiva con modelo/número de serie

Conozca su compresor de aire (continuación)

- 1. Tapa de la correa.** El protector de la correa encierra las poleas y la correa de transmisión. Protege al usuario de las piezas móviles y dirige aire refrigerante a la bomba del compresor.
- 2. Filtro de aire.** El filtro de aire evita que la suciedad y los residuos entren a la bomba del compresor y reduce el ruido del compresor.
- 3. Varilla de nivel/Mirilla de aceite.** La varilla de nivel y la mirilla del aceite miden el nivel de aceite en la bomba del compresor.

Su compresor puede tener o una varilla de nivel o una mirilla de vidrio.

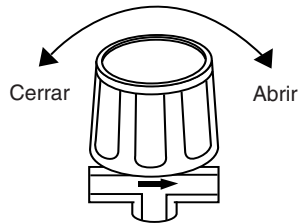


- 4. Mangos.** Se usan para mover el compresor.
 - 5. Válvula de drenaje del tanque.** La válvula de drenaje del tanque permite que la humedad salga del tanque.
- NOTA:** Cada tanque tiene su propia válvula de drenaje del tanque.
- 6. Descargador.** El descargador controla las rpm del motor. Cuando está cargado, el motor funcionará a la máxima velocidad de funcionamiento y el aire entrará al tanque. Cuando está descargado, el motor disminuirá su velocidad hasta el mínimo y el aire se expulsará a la atmósfera.

- 7. Tanques de almacenamiento de aire.** Los tanques almacenan aire para usarlo más tarde.

- 8. Manómetro Regulador de la Salida.** Este manómetro le permite verificar la presión de salida muy fácilmente. Dicha presión se mide en libras por pulgadas al cuadrado (PSI). La mayoría de las herramientas tienen una clasificación máxima de presión. Nunca exceda la clasificación máxima de presión de la herramienta que está usando. Cerciórese de que el manómetro esté en ZERO antes de cambiar de herramientas neumáticas o desconectar la manguera.

- 9. Perilla reguladora.** Esta perilla controla la presión de aire hacia una herramienta neumática o una pistola pulverizadora de pintura. Al girar la perilla hacia la derecha aumenta la presión de aire en la salida. Al girar la perilla hacia la izquierda disminuye la presión de aire en la salida. Poner la perilla totalmente hacia la izquierda cerrará el flujo de aire por completo.



- 10. Manómetro del Tanque.** Mide la presión del tanque para verificar que está funcionando adecuadamente.
- 11. Válvula de seguridad ASME.** Esta válvula libera el aire automáticamente si la presión del tanque supera el máximo preestablecido.
- 12. Conectores de la salida de aire.** Estos conectores son de conexión rápida y estilo universal de 1/4" y permiten cambios de herramienta rápidos.

Funcionamiento del compresor de aire

AVISO

Antes de encender el compresor, lea cuidadosamente todos los manuales de instrucción, especialmente el manual del motor.

Todos los cabezales de compresores de aire lubricados expulsan cierta cantidad de agua condensada y aceite mezclados con el aire comprimido. Por lo tanto, debe instalarle un equipo para eliminar el agua/aceite y controles adecuados para el tipo de trabajo a realizar.

AVISO

Si no le instala el equipo adecuado para eliminar el agua/aceite podría ocasionarle daños a la maquinaria o pieza de trabajo.

AVISO

Drene el líquido del tanque diariamente.

⚠ PRECAUCION

No conecte las herramientas neumáticas al extremo de la manguera hasta que haya terminado el proceso de preparación para el uso y haya verificado que la unidad esté lista para funcionar.

Humedad En El Aire Comprimido

La humedad que se acumula en el aire comprimido se convierte en gotas a medida que sale del cabezal del compresor de aire. Cuando el nivel de humedad es muy alto o cuando el compresor ha estado en uso continuo por mucho tiempo, ésta se acumulará en el tanque. Al usar una pistola pulverizadora de pintura o una rociadora de arena, la misma saldrá a través de la manguera mezclada con el material que esté rociando.

Importante: Esta condensación ocasionará manchas en la superficie pintada, especialmente cuando esté pulverizando pinturas que no sean a base de agua. Al rociar arena esta ocasionará que la arena se aglutine y obstruya la pistola, reduciendo su eficacia.

Para eliminar este problema, coloque un filtro en la línea de aire, lo más cerca posible de la pistola.

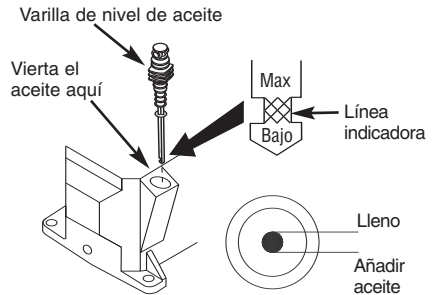
Funcionamiento del compresor de aire (continuación)

Lubricacion

Este compresor viene de fábrica con aceite.

Utilice aceite para compresor no detergente, de viscosidad única, ISO 100 (SAE 30), o también puede aceite sintético Mobil 1® 5W30 o 10W30. Vea la ilustración para un correcto llenado de aceite.

Refiérase al manual del motor para el nivel y el tipo de aceite apropiados.

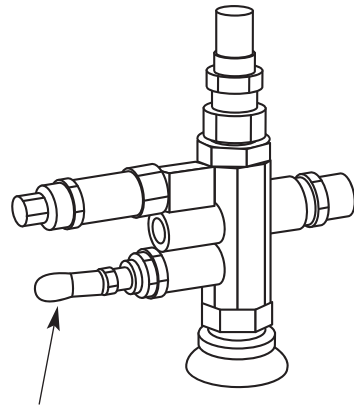


Encendido

AVISO

Para asegurarse el correcto funcionamiento, la unidad debe estar en una superficie nivelada.

1. Llene la motor de aceite y gasolina según las instrucciones del motor.
2. Retire la varilla de nivel de aceite del compresor o verifique la mirilla del aceite para asegurarse de que el nivel esté correcto.
3. Mueva la palanca del descargador manual hacia arriba, a la posición horizontal, para que el cabezal funcione sin comprimir aire.

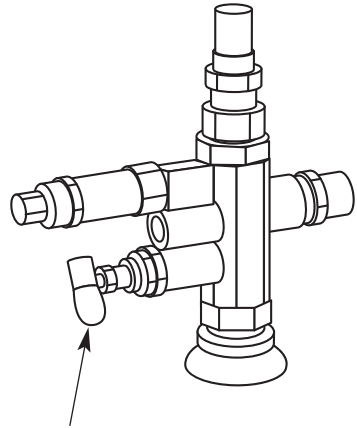


Palanca de descarga manual en la posición de cargado

Para encender el motor de gasolina

4. Mueva la palanca de la toma de aire en la posición "CHOKE" (tome de aire), abra la palanca de combustible, y gire el interruptor de parada del motor a la posición de encendido (ON).
5. Hálea la cuerda para encender el motor hasta que sienta resistencia, después hálela con fuerza.
6. A medida que el motor se caliente, mueva gradualmente la palanca del ahogador hasta abrirlo. El manual del motor de gasolina le ofrece más detalles al respecto.
7. Deje que el compresor funcione por unos 30 minutos sin carga para que las piezas del cabezal se fijen.
8. Después de aproximadamente 30 minutos, baje la palanca del descargador hasta la posición loaded (cargado). El compresor comenzará a suministrarle aire al tanque.

Cuando el tanque alcanza su presión máxima, el compresor automáticamente se descarga y el motor deja de trabajar. El motor continua funcionando al vacío hasta que la presión del tanque baje a un nivel fijado. Entonces el motor se acelera y el compresor le suminestra aire adicional al tanque.



Palanca de descarga manual en la posición de cargado

Mantenimiento

⚠ ADVERTENCIA

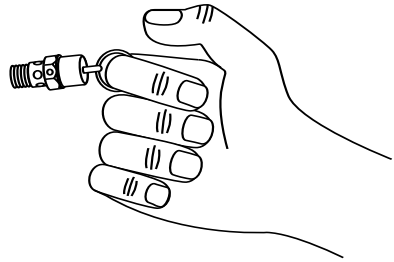
Desconecte la unidad y libere toda la presión del sistema antes de tratar de instalar el compresor, darle servicio, moverlo de sitio o darle cualquier tipo de mantenimiento.

A fin de mantener un funcionamiento eficiente del sistema compresor, verifique el filtro de aire semanalmente (según la planificación del mantenimiento), el nivel de aceite y el nivel de gasolina antes de cada uso. La válvula de seguridad ASME también se deberá verificar semanalmente. Para hacerlo, hále el anillo y déjelo que calce de nuevo en su posición normal. Esta válvula automáticamente libera el aire si la presión del tanque excede el nivel máximo fijado. Si hay fugas de aire después de haber soltado el anillo, o si la válvula está atascada y no se puede activar con el anillo, deberá reemplazarla.

APAGUE el motor y limpie el motor, el volante, el tanque, las líneas de aire y las aletas del sistema de enfriamiento del cabezal.

⚠ PELIGRO

No trate de modificar la válvula de seguridad ASME.



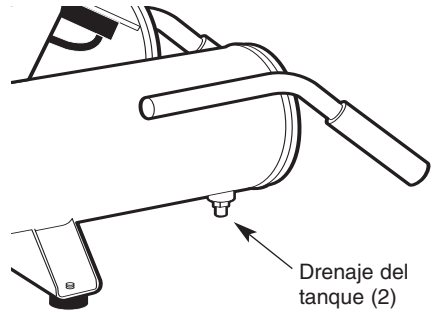
Planificación del mantenimiento

Servicio necesario	Diaria-mente	Semanal-mente	Mensual-mente	Anual-mente
Mídale el aceite	●			
Drene el tanque	●			
Chequé el filtro de aire		●		
Chequé la válvula de seguridad		●		
Limpie con aire la suciedad de la unidad		●		
Chequé la tensión de las bandas			●	
Cámbiele el aceite				●

Tanque

⚠ PELIGRO

¡Nunca trate de reparar o modificar el tanque! Si lo suelda, taladra o modifica de cualquier otra manera, el tanque se debilitará y podría romperse o explotar. Siempre reemplace los tanques desgastados o dañados.



AVISO

Drene el líquido de los tanques a diario.

Los tanques se deberán inspeccionar cuidadosamente al menos una vez al año. Chequee a ver si hay grietas en las soldaduras. De haberlas, libere la presión del tanque inmediatamente y reemplácelo.



Para Desmontar, Chequear y Reemplazar el Filtro

Para cambiarle el filtro quítele la tapa. Si un elemento del filtro está sucio, reemplace el elemento o todo el filtro.

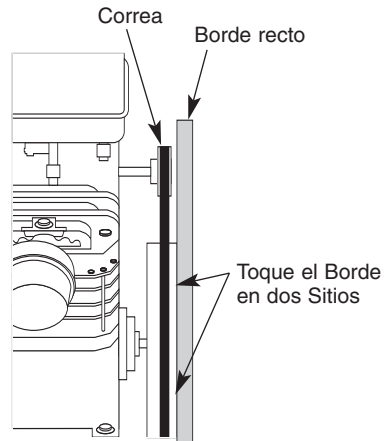
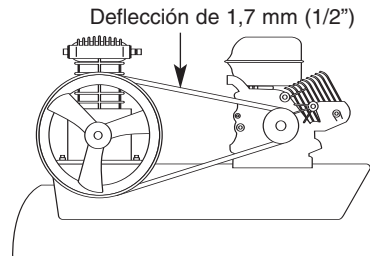
Mantenimiento (continuación)

Bandas

Las bandas se estiran debido al uso normal. Cuando están bien ajustadas, al aplicarle una presión de 2,26 kg entre la poleas del motor y el cabezal, la banda debe tener una deflexión de más o menos 12,7 mm (1/2").

Para ajustar la tensión de las bandas:

1. Qúitele la tapa protectora de bandas y afloje la abrazadera del motor.
2. Afloje los 4 pernos que sostienen el motor a la base.
3. Mueva el motor en la dirección adecuada. La banda debe estar alineada después de ajustar el motor.
4. Para alinear la banda, coloque un objeto recto que toque dos puntos del volante.
5. Ajuste la polea del motor o el volante de modo que la banda esté paralela al borde recto.
6. Use un sacaengranaje para mover la polea en el eje y apriete los tornillos.
7. Ajuste el sujetador y reinstale el protector de la correa.



Borde recto paralelo con la correa

Almacenamiento

1. Cuando no los esté usando, almacene la manguera y el compresor en un sitio frío y seco.
2. Se deberá drenar la humedad de los tanques.
3. Se deberá desconectar y colgar la manguera con los extremos abiertos hacia abajo para permitir que drene toda la humedad.

▲ ADVERTENCIA

Para su propia seguridad, no pruebe ni haga funcionar el compresor de aire mientras realiza el diagnóstico de problemas.

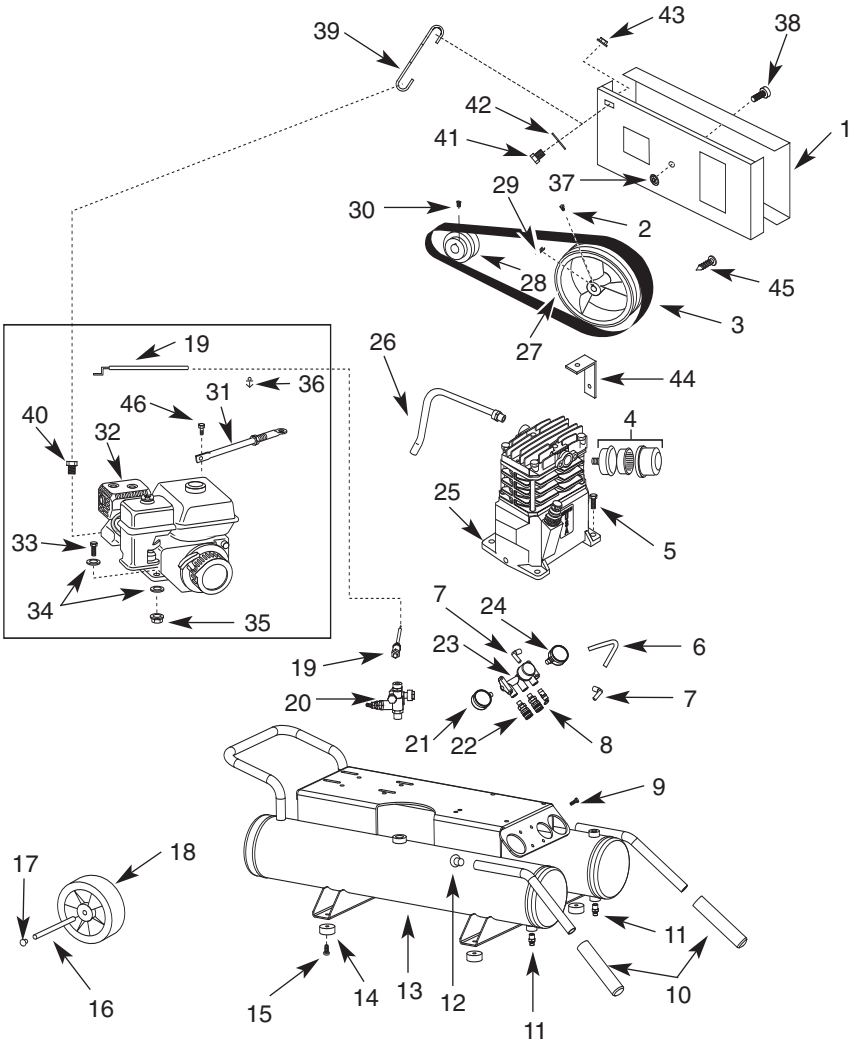
PROBLEMA	CAUSA PROBABLE	SOLUCIÓN
Baja presión de salida	<ol style="list-style-type: none">1. Fugas de aire2. Fugas en las válvulas3. Entrada de aire restringida4. Bandas desajustadas5. Empaques dañados6. Baja compresión	<ol style="list-style-type: none">1. Escuche a ver si hay fugas de aire. Aplíquelo agua enjabonada a todas las conexiones. Verá burbujas si hay fugas. Apriete o reemplace las conexiones donde haya fugas2. Desmonte la culata e inspeccione a ver si las válvulas están rotas o defectuosas, si el asiento de las válvulas están dañadas etc. Reemplace las piezas defectuosas y ensámblelas <p>▲ PRECAUCION</p> <p>Cerciórese de reemplazar el empaque de la culata por uno nuevo cada vez que la desmonte</p> <ol style="list-style-type: none">3. Limpie el elemento del filtro4. Afloje los pernos del motor y mueva el motor en dirección opuesta al compresor, cerciórese de que la polea del motor esté perfectamente alineada con el volante. Apriete los pernos del motor. La banda debe tener una deflexión de una 12,7 mm al aplicarse 2,3 kg de fuerza. No force las bandas para colocarlas en las poleas5. Reemplace cualquier empaque que encuentre dañado6. La baja presión podría ser debido a que los anillos o las paredes del cilindro estén desgastados. Para solucionar

Diagnóstico de problemas (continuación) ---

PROBLEMA	CAUSA PROBABLE	SOLUCIÓN
Baja presión de salida <i>(continuación)</i>		el problema reemplace los anillos, cilindros y pistones cuando sea necesario
El compresor se sobrecalienta	<ol style="list-style-type: none"> 1. Ventilación inadecuada 2. Las superficies de enfriamiento están sucias 	<ol style="list-style-type: none"> 1. Reubique el compresor de modo que se le pueda suministrar suficiente aire frío, limpio, con buena circulación y seco 2. Limpie las partes del sistema de enfriamiento del cabezal y el motor
Desgaste excesivo de las bandas	<ol style="list-style-type: none"> 1. Polea desalineada 2. Bandas muy flojas o muy apretadas 3. Bandas se deslizan 4. Polea oscila 	<ol style="list-style-type: none"> 1. Realinee las poleas del motor y el compresor 2. Ajuste la tensión (Vea la sección Bandas) 3. Ajuste la tensión o reemplace la banda (Vea la sección Bandas) 4. Chequee si el cigüeñal, la chavetera o el diámetro interno de las poleas se han desgastado debido al uso con las poleas flojas. Chequee las poleas y el cigüeñal a ver si están doblados
La unidad falla	<ol style="list-style-type: none"> 1. El motor está sobrecargado 2. Lubricación inadecuada 3. Bajo nivel de aceite 4. Válvula de chequeo defectuosa 	<ol style="list-style-type: none"> 1. Haga que un electricista calificado chequee el motor y el alambrado y siga sus recomendaciones. Chequee el voltaje de las conexiones del motor 2. Vea la sección de LUBRICACION, en Ensamblaje 3. Mídale el aceite. Añádale aceite si es necesario 4. Reemplácela

PROBLEMA	CAUSA PROBABLE	SOLUCIÓN
Ruido excesivo	<ol style="list-style-type: none"> 1. Las poleas del motor o el compresor están flojas 2. La caja del cigüeñal necesita aceite 3. La biela está desgastada 4. El buje del pasador del pistón está desgastado 5. Los cojinetes están desgastados 6. El pistón está golpeando la placa de la válvula 7. La válvula de chequeo hace ruido 	<ol style="list-style-type: none"> 1. Es muy común que el compresor haga mucho ruido debido a que las poleas estén flojas. Apriételes todos los pernos y tornillos 2. Mídale el aceite; si le falta aceite, chequee a ver si los cojinetes se dañaron. El aceite contaminado puede ocasionar el desgaste excesivo 3. Reemplace la biela 4. Desmonte los pistones del compresor y revíselos a ver si están muy desgastados. Reemplace los pistones o los pasadores si están muy desgastados 5. Reemplace los cojinetes desgastados y cámbiele el aceite 6. Desmonte la culata del compresor y la placa de la válvula y revíselas a ver si hay depósitos de carbón u otros desperdicios en el pistón. Coloque la culata y la placa de la válvula y use un empaque nuevo 7. Reemplácela
Presencia de aceite en el aire expulsado	<ol style="list-style-type: none"> 1. Los anillos del pistón están desgastados 2. La entrada de aire del compresor está restringida 3. El respiradero está restringido 4. Exceso de aceite en el compresor 5. Usó aceite de viscosidad incorrecta 6. La biela está desalineada 	<ol style="list-style-type: none"> 1. Reemplace los anillos 2. Limpie el filtro. Chequee a ver si hay otras restricciones en la entrada de aire 3. Limpie el respiradero y chequeélo a ver si está funcionando adecuadamente 4. Drene el aceite hasta alcanzar el nivel marcado "full" (lleno) 5. Use aceite sin-detergente SAE 30 (ISO 100) 6. Reemplace la biela

Piezas de repuesto



Piezas de repuesto

Por piezas de repuesto, llame al 1-800-4-RIDGID

Sírvase darnos la siguiente información:

-Número del modelo

-Número de Serie (de haberlo)

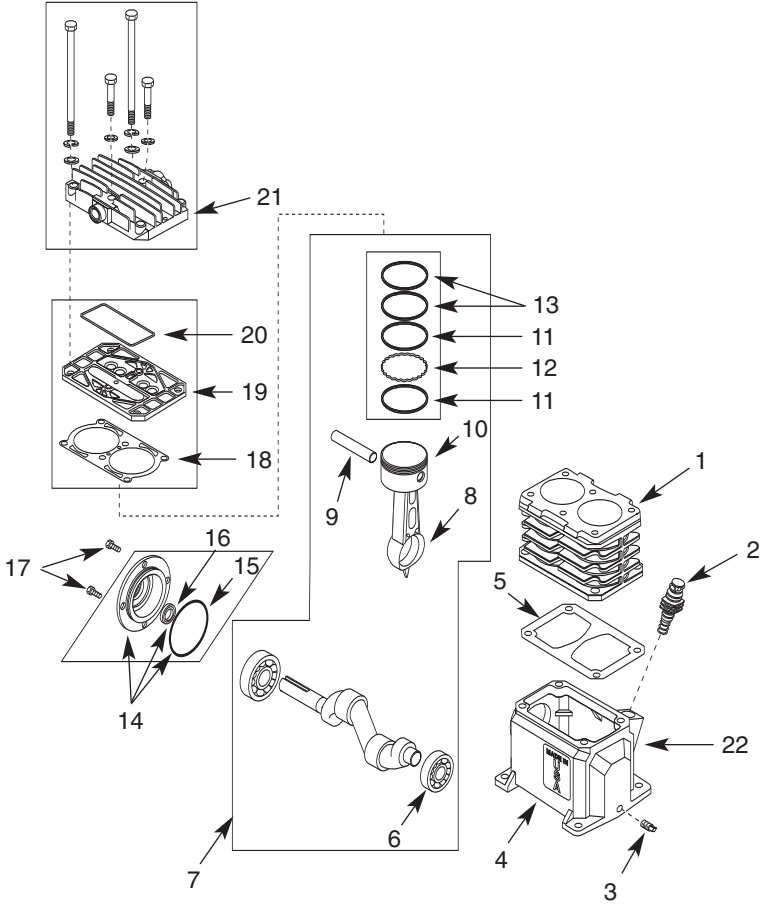
-Descripción y número del repuesto según la lista de repuestos

No. de Ref.	No de catálogo	Número de pieza	Descripción	Ctd
1	17993	BG220901AJ	Ensamblaje de la guarda de la correa (incluye 37-45)	1
2	—	—	Tornillo fijador (incluido con 27)	1
3	18003	BT023100AV	* Correa (4L510)	1
4	17703	WL026100AV	Ensamblaje del filtro	1
5	—	*	Tornillo	4
6	—	◆	Tubo de nylon de 9,4 mm (3/8")	1
7	—	◆	Acople de codo	2
8	17798	V-215106AV	Valvula de seguridad ASME	1
9	17783	ST071626AV	Tornillo Torx	4
10	18028	ST160002AV	* Asa del mango	2
11	17913	D-1403	* Acople de codo	2
12	17918	ST073612AV	Tapón	2
13	18033	AR053400OR	Tanque	1
14	17853	ST158300AV	* Pata de goma	4
15	18038	ST116400AV	Tornillo	4
16	18043	AA021800AV	Eje	1
17	18048	ST073613AV	Tapón	2
18	18053	WA005501AV	* Rueda neumática de 10" (2,54 cm)	1
19	18058	CV006412AV	* Control del regulador	1
20	—	ST171400AV	* Descargador del regulador	1
21	17878	GA016709AV	* Manómetro, Salida	1
22	17873	HF203300AV	* Acoplador	2
23	17793	WL024501AV	* Conjunto reg. (incluye 21, 22 y 24)	1
24	17773	GA016705AV	* Manómetro, Tanque	1
25	18068	VT470000AV	Bomba	1
26	18073	ST186600AV	Tubo de descarga	1
27	18078	PU015901AV	Volante (incluye 2)	1
28	18083	PU015400AV	Polea	1
29	18088	KE000900AV	Llave 4,8 mm (3/16")	1
30	18093	ST012200AV	Tornillo cuadrado	1
31	18098	BG208800AJ	Abrazadera	1
32	18103	NG002502AV	Motor	1
33	18108	ST070625AV	Tornillo hex	4
34	18113	ST011200AV	Arandela	8
35	18118	AL014000AV	Tuerca de seguridad	4
36	18123	ST164100AV	Retén de alambre	1
37	20978	ST033500AV	Tuerca de pestaña de 9,5 mm (3/8")	1
38	20983	ST084704AV	Perno del hombro de 9,5 mm (3/8")	1
39	22788	BG210000AV	Ménsula del guardafaja (motor)	1
40	22793	ST070674AV	Perno, 7,9 mm (5/16") - 24 x 12,7 mm (1/2")	1
41	20423	ST016000AV	Tornillo, 7,9 mm (5/16") - 18 x 19,1 mm (3/4")	1
42	18113	ST011200AV	Arandela de 7,9 mm (5/16")	1
43	20428	ST146001AV	Tuerca 7,9 mm (5/16") - 18	1
44	21003	BG220400AV	Ménsula del guardafaja (Bomba)	1
45	21008	ST073278AV	Sujetador de la cubierta de la correa	8
46	22783	ST076829AV	Perno M8 - 1.25 x 30	1

JUEGOS DE REPUESTOS

◆	22098	VT273500AJ	Juego de tubos	1
*	Considerado artículo de desgaste			
*	Artículo estándar de ferretería - disponible en su ferretería local			

Piezas de repuesto



Piezas de repuesto

Por piezas de repuesto, llame al 1-800-4-RIDGID

Sírvase darnos la siguiente información:

-Número del modelo

-Número de Serie (de haberlo)

-Descripción y número del repuesto según la lista de repuestos

No. de Ref.	No de catálogo	Número de pieza	Descripción	Ctd
1	18128	VT040900AG	Cilindro	1
2	—	VH901100AV	Respirador	1
3	18138	ST022300AV	Tapón del drenaje del aceite, 2 mm (1/8") NPT	1
4	18143	VT040300AG	Caja del cigüeñal	1
5	—	●	Empaque de la caja del cigüeñal	1
6	18148	ST084202AV	Balero	2
7	18153	VT040600AJ	Ensamblaje del cigüeñal	1
8	18158	VT040100AG	Varilla de conexión	2
9	18163	VS001400AV	Pasador del pistón	2
10 ▲	18168	TQ011900AG	Pistón	2
11 ■	—	■	Anillo de aciete	4
12 ■	—	■	Expandidor	2
13 ■	—	■	Anillo	4
14	18173	VT040200AJ	Ensamblaje de la tapa del balero	1
15	—	●	Anillo en O	1
16 ●	18178	ST129700AV	Sello de lubricación	1
17	18183	—	Tornillo M6-1.00 x 10 cap	4
18	—	●	Empaque del cilindro	1
19	18188	VT470800AJ	Ensamblaje de la placa para válvulas	1
20	—	●	Empaque de la placa para válvulas	1
21	18193	TQ900800AJ	Tapa del cilindro y sujetadores	1
22	27433	ST191700AV	Mirilla de aceite con anillo en O	1
JUEGOS DE REPUESTOS				
●	18198	VT470900AJ	Juego de empaques	1
■	18203	VT210401AJ	Juego de anillos del pistón	1
▲	18208	VT005501AJ	Juego de servicio del pistón	2

RIDGID®

Nº de catálogo - GP90150A
Nº de modelo GP90150A Nº de serie
El número de modelo y el número de serie se pueden encontrar en su unidad. Debe registrar tanto el número de modelo como el número de serie en un lugar seguro para su uso futuro.

GARANTÍA LIMITADA DE TRES AÑOS PARA EL COMPRESOR DE AIRE RIDGID

Este producto es fabricado por Campbell Hausfeld. Su marca es una marca registrada con licencia de Ridgid, Inc. Todas las comunicaciones referentes a la garantía deben dirigirse al servicio técnico de compresores de aire RIDGID al número de llamada gratuita 1-800-4-RIDGID.

QUÉ ESTÁ CUBIERTO BAJO LA GARANTÍA LIMITADA DE TRES AÑOS

Esta garantía cubre todos los defectos de mano de obra o materiales de este compresor de aire RIDGID durante un período de tres años a partir de la fecha de compra. Esta garantía es específica para este compresor de aire. Las garantías para otros productos RIDGID pueden variar.

CÓMO OBTENER EL SERVICIO

Para obtener servicio para este compresor de aire RIDGID debe enviarlo, con el flete pagado, a un centro de servicio autorizado para la reparación de compresores de aire RIDGID. Puede obtener la ubicación del centro de servicio más próximo llamando por el número de llamada gratuita 1-800-4-RIDGID o conectándose al sitio Web de RIDGID en www.ridgid.com. Cuando solicite un servicio cubierto por la garantía, debe presentar documentación de prueba de compra, que incluya la fecha de compra. El centro de servicio autorizado reparará cualquier defecto de mano de obra y reparará o reemplazará cualquier pieza defectuosa, según lo decida Campbell Hausfeld sin que esto presente un costo para usted.

QUÉ NO ESTÁ CUBIERTO

Esta garantía se aplica sólo al comprador original en el momento de la venta al por menor y no puede ser transferida. Esta garantía no cubre el desgaste normal ni ningún malfuncionamiento, falla o defecto que sea el resultado de un uso incorrecto, abuso, negligencia, alteración, modificación o reparación por otro que no sea un centro de servicio autorizado para reparar compresores de aire de marca RIDGID. Los materiales fungibles, tales como el aceite, los filtros, etc. no están cubiertos por esta garantía. Los motores a gasolina y sus componentes están expresamente excluidos de esta cobertura y usted debe cumplir con la garantía proporcionada por el fabricante del motor, la cual se proporciona con el producto. **CAMPBELL HAUSFELD NO PROPORCIONA NINGUNA GARANTÍA, REPRESENTACIÓN NI PROMESA SOBRE LA CALIDAD O EL FUNCIONAMIENTO DE SUS COMPRESORES DE AIRE EXCEPTO POR AQUELLAS QUE SE MENCIONAN ESPECÍFICAMENTE EN ESTA GARANTÍA. RIDGID, INC. NO PROPORCIONA NINGUNA GARANTÍA NI REPRESENTACIÓN, EXPRESA O IMPLÍCITA INCLUYENDO LAS QUE SE DETALLAN A CONTINUACIÓN.**

LIMITACIONES ADICIONALES

Hasta donde está permitido por las leyes que se aplican, se niega toda responsabilidad por garantías implícitas, incluyendo las garantías de COMERCIABILIDAD o IDONEIDAD PARA USOS ESPECÍFICOS. Las responsabilidades de cualquier garantía implícita, incluyendo las garantías de comerciabilidad o idoneidad para usos específicos, que no puedan ser denegadas de acuerdo a las leyes estatales estarán limitadas a tres años a partir de la fecha de compra. Campbell Hausfeld no es responsable por daños directos, indirectos, incidentales, especiales o consecuentes. Algunos estados no permiten limitaciones sobre la duración de las garantías implícitas y/o no permiten la exclusión ni la limitación de daños incidentales o consecuentes, por lo tanto es posible que las limitaciones anteriores no se apliquen en su caso. Esta garantía le proporciona derechos legales específicos, y también puede tener otros derechos que varían de un estado a otro.

PREGUNTAS O COMENTARIOS

LLAME A 1-800-4-RIDGID

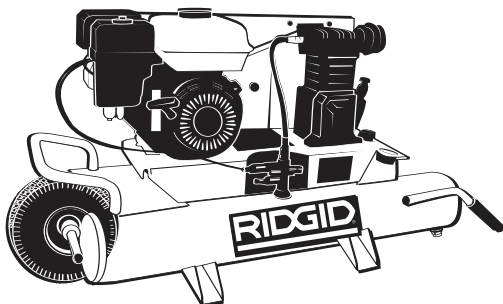
www.ridgid.com

Sírvase tener a mano el número de modelo y el número de serie cuando llame.

RIDGID[®]

GP90150A

MANUEL D'OPÉRATEUR



COMPRESSEUR D'AIR STYLE BROUETTE

⚠ AVERTISSEMENT

Pour réduire les risques de blessures, l'utilisateur doit lire et comprendre le manuel d'opérateur avant d'utiliser ce produit.

IN629100AV 12/08

Imprimé aux É.-U.

Table des matières

Section	Page	Section	Page
Table des matières	2	Entretien	14
Instructions de sécurité	3	Horaire d'entretien	14
Termes de signaux de sécurité	3	Réservoir	15
Avant d'utiliser le compresseur d'air	3	Enlevage, Inspection et	
Précautions de Pulvérisation	5	Remplacement du Filtre	15
Avertissement D'Air Respirable	6	Courroie d'Entrainement	16
Étiquettes d'avertissement	7	Entreposage	16
Glossaire des termes	8	Dépannage	17
Déballage et vérification Contenu ..	8	Pièces de réparation	20
Apprendre à connaître votre		Notes	22
compresseur d'air	9	Garantie	24
Fonctionnement de votre			
compresseur d'air	11		
L'Humidité Dans l'Air Comprimé	11		
Graissage	12		
Démarrage	12		
Pour démarrer le moteur à essence	13		

Instructions de sécurité

Ce manuel contient de l'information très importante qui est fournie pour la SÉCURITÉ et pour ÉVITER LES PROBLÈMES D'ÉQUIPEMENT. Rechercher les symboles suivants pour cette information.

Mot signal de sécurité

⚠ DANGER

Danger indique une situation hasardeuse imminente qui **RÉSULTERA** en perte de vie ou blessures graves.

⚠ AVERTISSEMENT

Avertissement indique une situation hasardeuse potentielle qui **PEUT** résulter en perte de vie ou blessures graves.

⚠ ATTENTION

Attention indique une situation hasardeuse potentielle qui **PEUT** résulter en blessures.

AVIS

Avis indique l'information importante pour éviter le dommage de l'équipement.

Avant d'utiliser le compresseur d'air

PROPOSITION 65 DE CALIFORNIE

⚠ AVERTISSEMENT

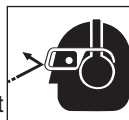
Ce produit ou son cordon peuvent contenir des produits chimiques, y compris du plomb, relevés par l'État de Californie comme cause de cancer, d'anomalies congénitales ou d'autres problèmes reproductifs. Lavez-vous les mains après toute manipulation.

Puisque le compresseur d'air et les autres pièces détachées (pompe, pistolets, filtres, graisseurs, tuyaux, etc.) font partie d'un système de haute pression, il est nécessaire de suivre les précautions suivantes:

1. Lire attentivement tous manuels compris avec ce produit. Se familiariser avec ce produit, ses commandes et son utilisation.
2. Suivre tous les codes de sécurité et d'électricité locaux ainsi qu'aux États-Unis les National Electrical Codes (NEC) et Occupational Safety and Health Act (OSHA).



3. Seules les personnes bien familiarisées avec ces règles d'utilisation doivent être autorisées à se servir du compresseur.
4. Garder les visiteurs à l'écart de/et NE JAMAIS permettre les enfants dans l'endroit de travail.
5. Porter des lunettes de sécurité (répondant à la norme ANSI Z87.1 ou au Canada CSA Z94.3-99) et utiliser une protection auditive en faisant fonctionner la pompe ou l'appareil. Les lunettes courantes ne sont pas des lunettes de sécurité.
6. Ne pas se tenir debout sur/ni utiliser le modèle comme une prise à main.
7. Inspecter le système d'air comprimé et pièces détachées électriques pour toute indication de dommage, détérioration, faiblesse ou fuites avant chaque utilisation. Réparer ou remplacer toutes pièces défectueuses avant l'utilisation.
8. Inspecter le degré de serrage de toutes les attaches par intervalles réguliers.



Instructions de sécurité (suite)

⚠ AVERTISSEMENT



Ne jamais faire fonctionner un compresseur sans un carter de courroie. Ce modèle peut se démarrer sans avis. Le contact avec les pièces mobiles peut causer des blessures personnelles ou dégâts matériels.

9. Ne pas porter des vêtements flottants ou des bijoux qui peuvent se prendre dans les pièces mobiles du modèle.

⚠ ATTENTION



Les pièces du compresseur peuvent être chaudes même si le modèle est hors circuit.

10. Garder les doigts à l'écart du compresseur; les pièces mobiles et chaudes peuvent causer des blessures et/ou des brûlures.
11. Si l'équipement vibre anormalement, ARRÊTER le moteur et l'inspecter immédiatement. La vibration est généralement une indication d'un problème.

⚠ AVERTISSEMENT



NE JAMAIS ajouter du carburant à un moteur qui est en marche ou chaud. Le carburant explosif peut causer l'incendie et des brûlures sévères. Ne pas trop remplir le réservoir de carburant.

12. Vérifier le niveau de carburant avant de démarrer le moteur. Ne pas remplir le réservoir à essence à l'intérieur. Essuyer l'essence renversé avant de démarrer le moteur.

⚠ DANGER

La vapeur d'essence est très inflammable. Remplir à l'extérieur ou dans un endroit bien aéré. Ne pas entreposer, renverser ou utiliser l'essence près d'une flamme ou une source de chaleur telles qu'un poêle, four ou chauffe-eau utilisant une lampe-témoin qui peut causer une étincelle. Si vous renversez de l'essence, déplacer le compresseur à l'écart du renversement et ne pas créer de sources d'ignition tant que les vapeurs de l'essence ne se sont pas dissipées.

⚠ AVERTISSEMENT



Les moteurs, l'équipement et les commandes électriques peuvent causer des arcs électriques qui peuvent allumer un gaz ou une vapeur inflammable. Ne jamais utiliser ou réparer le modèle près d'un gaz ou d'une vapeur inflammable. Ne jamais entreposer les liquides ou gaz inflammables près du compresseur.

⚠ AVERTISSEMENT



Le monoxyde de carbone peut causer la nausée sévère, l'évanouissement ou la mort. Ne pas faire fonctionner dans un édifice enfermé ou un endroit de travail qui n'est pas bien aéré.

13. Pour réduire le risque d'incendie, garder l'extérieur du moteur libre d'huile, de solvants et de graisse excessive.

⚠ AVERTISSEMENT

Ne jamais enlever ou trifouiller avec la soupape de sûreté. Garder la soupape de sûreté libre de peinture et autres accumulations.

14. Ne pas trifouiller avec les ajustements du régulateur du moteur. Faire fonctionner le modèle trop rapidement raccourcira la durée du moteur et peut être très dangereux.

⚠ DANGER



Ne jamais essayer de réparer ou de modifier un réservoir! Le soudage, perçage ou autre modifications peuvent affaiblir le réservoir et peuvent résulter en dommage de rupture ou d'explosion. Toujours remplacer un réservoir usé, fendu ou endommagé.

15. L'accumulation d'humidité cause la rouille qui peut affaiblir le réservoir. S'assurer de vidanger le réservoir chaque jour et de le vérifier régulièrement pour toute condition dangereuse comme formation de rouille et corrosion.

16. L'air mouvante peut agiter la poussière et le débris qui peut être dangereux. Dissiper l'air lentement en purgeant l'humidité ou pendant la dépressurisation du système de compresseur.

17. Arrêter le moteur quand vous quittez l'endroit de travail, avant de nettoyer, réparer ou l'inspecter, s'assurer que toutes les pièces mouvantes se sont arrêtées. Débrancher le fil de bougie d'allumage et garder le fil à l'écart de la fiche pour éviter le démarrage accidentel.

18. Permettre que le moteur se refroidisse avant d'entreposer.

Précautions de Pulvérisation

⚠ AVERTISSEMENT



Ne pas pulvériser des matériaux inflammables près d'une flamme ni près d'une source d'ignition y inclus le compresseur.

19. Ne pas fumer pendant la pulvérisation de peinture, d'insecticides ou d'autres substances inflammables.

20. Utiliser un masque/respirateur pendant la pulvérisation et pulvériser dans un endroit bien ventilé pour éviter les hasards de santé et de feu.

21. Ne pas pulvériser vers le compresseur. Situer le compresseur aussi loin que possible de l'endroit de pulvérisation pour minimiser l'accumulation de surpulvérisation sur le compresseur.

22. Pour pulvériser ou nettoyer avec des solvants ou produits chimiques toxiques, suivre les instructions fournies par le fabricant du produit chimique.

⚠ DANGER

Avertissement D'Air Respirable

Ce compresseur n'est pas équipé pour et ne devrait pas être utilisé "comme soi" pour fournir de l'air respirable. Pour les applications d'air pour la consommation humaine, il est nécessaire d'équiper le compresseur d'air/pompe avec de l'équipement de sécurité en canalisation et d'alarme. Cet équipement additionnel est nécessaire pour filtrer et purifier l'air afin d'atteindre les spécifications minimales pour la respiration Grade D décrit dans le Compressed Gas Association Commodity Specification G 7.1 - 1966, OSHA 29 CFR 1910. 134, et/ou Canadian Standards Associations (CSA).

DÉNÉGATION DES GARANTIES

Si le compresseur est utilisé pour les applications d'air respirable et l'équipement de sécurité en canalisation et d'alarme n'est pas utilisé simultanément, les garanties en existence seront annulés, et Campbell Hausfeld nie toute responsabilité pour n'importe quelle perte, blessure personnelle ou dommage.

Étiquettes d'avertissement

Trouver et lire toutes les étiquettes d'avertissement qui se trouvent sur le compresseur d'air indiquées plus bas

⚠ WARNING

DRAIN TANK EVERY DAY TO PREVENT CORROSION AND POSSIBLE INJURY DUE TO TANK DAMAGE.

⚠ AVERTISSEMENT

PURGER LE RESERVOIR QUOTIDIENNEMENT AFIN D'ÉVITER LA CORROSION ET LE RISQUE DE BLESSURES CAUSÉ PAR LE DOMMAGE AU RESERVOIR

⚠ ADVERTENCIA

DRENE EL TANQUE DIARIAMENTE PARA EVITAR QUE SE OXIDE Y EL RIESGO DE HARIDAS DEBIDO A UN TANQUE DAÑADO.








**VALVE BELOW
AOUAPE C-DESSOUS
VALVULA ABAJO**



**TO OPEN
POUR OUVRIR
PARA ABIR**

DK724200AV 1003

⚠ WARNING	⚠ AVERTISSEMENT	⚠ ADVERTENCIA
<p> • READ INSTRUCTION MANUAL BEFORE OPERATING.</p> <p> • RISK OF FIRE OR EXPLOSION - DO NOT SPRAY COMBUSTIBLE/FLAMMABLE LIQUID IN A CONFINED AREA. SPRAY AREA MUST BE WELL VENTILATED. DO NOT SMOKE WHILE SPRAYING OR SPRAY WHERE SPARK OR FLAME IS PRESENT. AROUND PARTS - KEEP COMPRESSOR AT LEAST 20 FEET AWAY FROM SPRAYING AREA AND ALL EXPLOSIVE VAPORS.</p> <p> • RISK OF INJURY - DO NOT DIRECT AIR STREAM AT BODY, USE EYE PROTECTION. COMPRESSOR STARTS AUTOMATICALLY. MOVING PARTS. DO NOT TOUCH. KEEP GUARDS IN PLACE. COMPRESSOR DOES NOT SUPPLY BREATHABLE AIR.</p> <p> • RISK OF BURSTING - DO NOT ADJUST REGULATOR TO RESULT IN OUTPUT PRESSURE GREATER THAN MARKED MAXIMUM PRESSURE OF ATTACHMENT. IF A REGULATOR HAS NOT BEEN INSTALLED USE ONLY ATTACHMENT RATED AT 200 PSI OR HIGHER. DO NOT WELD ON OR REPAIR TANK - REPLACE, DO NOT OPERATE WITHOUT PROPER ASME SAFETY VALVE IN PLACE.</p> <p> • RISK OF ELECTRICAL SHOCK - HAZARDOUS VOLTAGE: DISCONNECT FROM POWER SOURCE BEFORE SERVICING. COMPRESSOR MUST BE GROUNDED. DO NOT USE GROUNDING ADAPTORS. DO NOT EXPOSE TO RAIN, STORM OR DOWNS.</p> <p>IF CONNECTED TO A CIRCUIT PROTECTED BY FUSES, USE TIME-DELAY FUSE MARKED "D".</p> <p>COMPLIES WITH CCR462 (L)2.</p>	<p>• LIRE LE MANUEL D'UTILISATION AVANT DE FAIRE FONCTIONNER LE MODÈLE.</p> <p>• RISQUE D'INCENDIE OU D'EXPLOSION - NE PAS PULVÉRISER LES LIQUIDES COMBUSTIBLES/INFLAMMABLES DANS UN ENDOIT CLOS. L'ENDROIT DE PULVÉRISATION DOIT ÊTRE BIEN VENTILÉ. NE PAS FUMER PENDANT LA PULVÉRISATION NI PULVÉRISER DANS L'ENDROIT D'UNE FLAMME OU D'UNE ÉTINCELLE. LES PIÈCES QUI PROJettent DES ÉTINCELLES - GARDER LE COMPRESSEUR AU MOINS 6,1 M. DE L'ENDROIT DE PULVÉRISATION ET DE TOUTES VAPEURS EXPLOSIVES.</p> <p>• RISQUE DE BLESSURE - NE PAS DIRIGER LE JET D'AIR VERS VOTRE CORPS. UTILISER LA PROTECTION OCULAIRE. LE COMPRESSEUR SE DÉMARRER AUTOMATIQUement. PIÈCES MOBILES NY TOUCHEZ PAS. GARDER LES APPARELS PROTÉCTEURS EN PLACE. LE COMPRESSEUR NE FOURNIT PAS DE L'AIR RESPIRABLE.</p> <p>• RISQUE D'ÉCLATEMENT - NE PAS AJUSTER LE RÉGULATEUR AFIN D'OBTENIR UNE PRESSION DE DÉCHARGE PLUS ÉLEVÉE QUE LA PRESSION MAXIMUM DE L'ACCESSOIRE. S'IL N'Y A PAS DE RÉGULATEUR, UTILISER SEULEMENT LES ACCESSOIRES QUI SONT CLASSIFIÉS À 1379 kPa OU PLUS. NE PAS SOUDER SUR/NI RÉPARER LE RESERVOIR - LE REMPLACER, NE PAS FAIRE FONCTIONNER SANS OUILE Y AIT UNE SOUPEPE DE SÛRETÉ ASME EN PLACE.</p> <p>• RISQUE DE SECOURS ÉLECTRIQUE - TENSION HASARDEUSE: DÉBRANCHER DE LA SOURCE DE PUISSANCE AVANT DE PROCÉDER À L'ENTRETIEN. LE COMPRESSEUR DOIT ÊTRE MIS À LA TERRE. NE PAS UTILISER DES ADAPTATEURS DE MISE À LA TERRE. NE PAS EXPOSER À LA PLUIE, LE FROID OU À L'ÉLECTRICITÉ.</p> <p>SI BRANCHÉ À UN CIRCUIT PROTÉGÉ PAR DES FUSIBLES, UTILISER UNE FUSIBLE À RETARDEMENT MARQUÉE "D".</p> <p>SE CONFORME AU CCR462 (L)2.</p>	<p>• LEA EL MANUAL DE INSTRUCCIONES ANTE DE OPERAR.</p> <p>• RIESGO DE INCENDIO O EXPLOSIÓN - NO ROCIÉ LÍQUIDOS COMBUSTIBLES/INFLAMMABLES EN UN ÁREA ENCERRADA. EL ÁREA DE TRABAJO DEBE ESTAR BIEN VENTILADA. NO FUME MIENTRAS ESTE ROCIANDO NI ROCIÉ CERCA DE CHISPAS O LLAMAS. PIEZAS QUE PRODUCEN ARCOS ELÉCTRICOS/MANTENGA EL COMPRESOR AL MENOS A 6,1 M. DE DISTANCIA DEL ÁREA DONDE ESTE ROCIANDO O DE DONDE HAYA CUALQUIER TIPO DE VAPORES EXPLOSIVOS.</p> <p>• RIESGO DE HERIDAS - NO DIRIJA EL FLUJO DE AIRE DIRECTAMENTE AL CUERPO. PROTEJASE LA VISTA. EL COMPRESOR SE ENCIENDE AUTOMÁTICAMENTE. PIEZAS QUE SE MUEVEN, NO LAS TOQUE. MANTÉNGALAS PROTEGIDAS. EL COMPRESOR NO LE SUMINISTRA AIRE RESPIRABLE.</p> <p>• RIESGO DE EXPLOSIÓN - NO AJUSTE EL REGULADOR PARA OBTENER UNA PRESIÓN DE SALIDA SUPERIOR A LA INDICADA COMO PRESIÓN MÁXIMA DEL ACCESORIO. SI NO HA INSTALADO UN REGULADOR, USE SOLO ACCESORIOS DISEÑADOS PARA PRESIONES DE 13,8 BAR O MÁS. NO SUELDE NI REPARE EL TANQUE - REEMPLÁCELO. NO LO OPERE SIN HABERLE INSTALADO UNA VALVULA DE SEGURIDAD ASME ADECUADA.</p> <p>• RIESGO DE CHOQUE ELÉCTRICO - VOLTAJE PELIGROSO: DESCONECTE DEL TOMACORRIENTES ANTES DE DARLE SERVICIO. EL COMPRESOR SE DEBE CONECTAR A TIERRA. NO USE ADAPTADORES PARA CONECTARLO A TIERRA. NO LO DEJE A LA INTemperIE, ALMACÉNELLO BAJO TECHO.</p> <p>SI LO CONECTA A UN CIRCUITO PROTEGIDO CON FUSIBLES, USE FUSIBLES DE ACCIÓN RETARDADA TIPO "D".</p> <p>CUMPLE CON LAS ESPECIFICACIONES CCR462 (L)2. DK724200AV 1003</p>

Glossaire des termes

Soupape De Sûreté ASME

Cette soupape relâche l'air automatiquement si la pression du réservoir dépasse la pression maximum réglé d'avance.

PSI (livres par pouce carré)

Mesure de pression exercée par la force de l'air. La sortie réelle en lb/po² se mesure par un manomètre sur le compresseur

PCNM (pied cube normal par minute)

pi³/min (pied cube par minute) Mesure du volume d'air livré par le compresseur

Soufflage d'air

Une combinaison de psi et PCNM. Le soufflage d'air requis par un outil est indiqué sous forme de (nombre) PCNM à (nombre) psi. Le mélange de ces chiffres déterminer la taille d'appareil nécessaire.

Capacité de réservoir à air

Le volume d'air stocké dans le réservoir et disponible pour une utilisation

immédiate. Un large réservoir permet l'utilisation intermittente d'un outil pneumatique exigeant de l'air à un niveau plus élevé que la valeur nominale du compresseur.

Régulateur

Un contrôle qui ajuste la pression de fluide à la quantité appropriée nécessaire pour faire fonctionner les pistolets de pulvérisation et les outils pneumatiques.

Manomètre du réservoir

Indique la pression du réservoir en psi.

Manomètre de canalisation

Affiche les pressions de canalisation actuelles. Il est régulé par le bouton du régulateur.

Pression de fermeture/d'ouverture

PSI précis lorsque le compresseur démarre et s'arrête en remplissant le réservoir d'air.

Déballer et vérifier le contenu

1. Retirer le compresseur d'air du carton.
2. Placer le compresseur sur une surface de travail fixe, sécurisée et vérifier attentivement..

⚠ AVERTISSEMENT

Ne pas faire fonctionner l'appareil s'il est endommagé pendant l'expédition, la manipulation ou l'utilisation. Des dommages peuvent mener à l'éclatement et provoquer des blessures ou des dommages à la propriété.

⚠ AVERTISSEMENT

Pour votre propre sécurité, ne jamais faire fonctionner l'appareil avant de terminer toutes les étapes d'assemblage et d'avoir lu et compris tout le manuel de l'opérateur.

⚠ AVERTISSEMENT

Pour réduire les risques de blessure, s'ils manquent des pièces, ne pas essayer d'assembler le compresseur d'air avant d'avoir obtenu les pièces manquantes et de les avoir installées.

Apprendre à connaître votre compresseur d'air —

1 Carter de courroie

2 Filtre à air

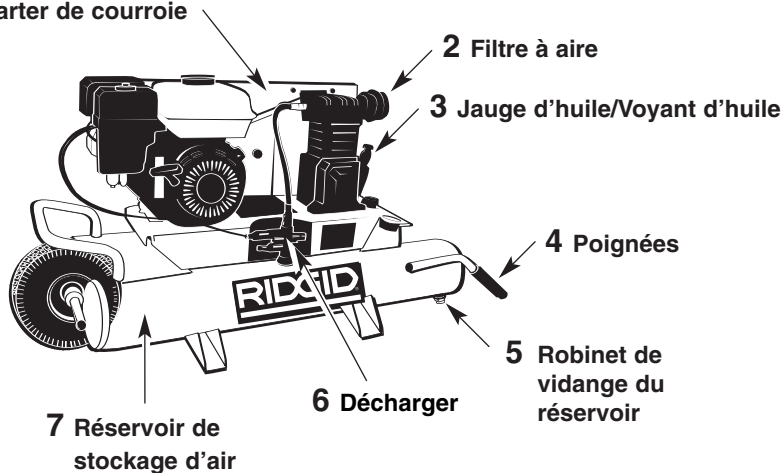
3 Jauge d'huile/Voyant d'huile

4 Poignées

5 Robinet de vidange du réservoir

6 Décharger

7 Réservoir de stockage d'air

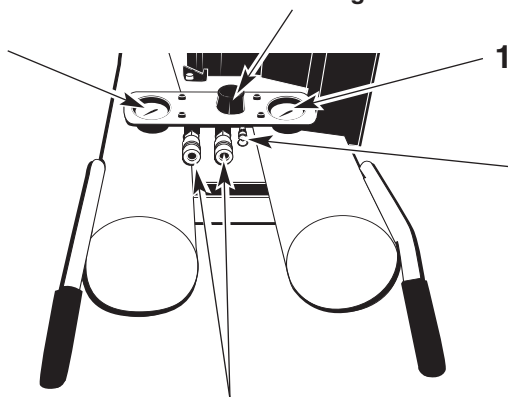


9 Bouton du régulateur

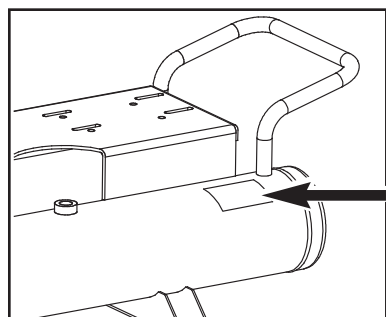
8 Jauge de sortie réglée

10 Manomètre du réservoir

11 Soupape de sûreté ASME



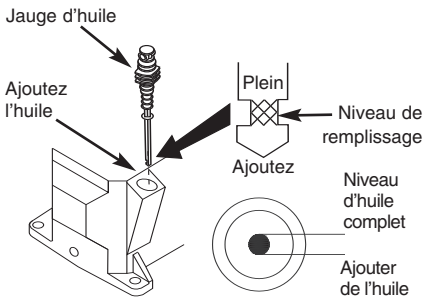
12 Raccords de sortie d'air



Décalque de modèle/numéro de série

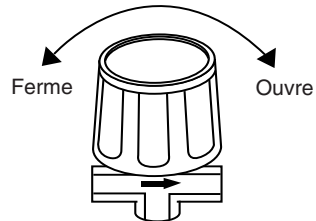
Apprendre à connaître votre compresseur d'air (suite)

- 1. Carter de courroie.** Le dispositif de protection recouvre les poulies et la courroie d'alimentation. Il protège l'utilisateur des pièces mobiles et dirige l'air de refroidissement vers la pompe du compresseur.
- 2. Filtre à air.** Le filtre à air empêche la poussière et les débris d'entrer dans la pompe de compresseur et réduire le bruit du compresseur.
- 3. Jauge/Voyant d'huile.** La jauge et le voyant d'huile mesurent le niveau d'huile dans la pompe du compresseur. Votre compresseur peut avoir bien la jauge ou le voyant d'huile.



- 4. Poignées** Utilisé pour déplacer le compresseur.
- 5. Robinet de vidange du réservoir.** Le robinet de vidange du réservoir permet de retirer l'humidité du réservoir.
REMARQUE : Chaque réservoir a son propre robinet de vidange de réservoir.
- 6. Décharger.** Le déchargeur contrôle les tr/min du moteur. Chargé, le moteur tourne à vitesse maximum de fonctionnement et l'air entre dans le réservoir. Déchargé, le moteur ralentit jusqu'à tourner au ralenti et l'air sort dans l'atmosphère.
- 7. Réservoirs de stockage d'air .** Le réservoir stocke de l'air à utiliser plus tard.

- 8. Manomètre Réglé de Sortie d'Air.** Ce manomètre indique la pression d'air de sortie. La pression d'air est mesurée en livres par pouce carré - lb/po² (PSI). La plupart des outils ont des capacités de pression maximum. Ne pas dépasser la capacité de pression maximum de l'outil utilisé. Assurer que le manomètre est à ZERO avant de changer les outils pneumatiques ou avant de débrancher le tuyau.
- 9. Bouton de régulateur.** Ce bouton contrôle la pression d'air vers un outil pneumatique ou un pistolet de pulvérisation de peinture. Tourner le bouton dans le sens des aiguilles d'une montre augmente la pression d'air à la sortie. Tourner dans le sens contraire des aiguilles d'une montre réduit la pression d'air à la sortie. Tourner entièrement dans le sens contraire des aiguilles coupera entièrement le débit d'air.



- 10. Manomètre du Réservoir.** Le manomètre indique la pression dans le réservoir ce qui indique que le compresseur fonctionne bien.
- 11. Soupape de sûreté ASME.** Cette soupape dégage automatiquement l'air si la pression du réservoir dépasse le maximum préétabli.
- 12. Raccords de sortie d'air.** Ces raccords sont des raccords universels rapides de 1/4 po et permettent des changements d'outils rapides.

Fonctionnement de votre compresseur d'air

AVIS

Avant de mettre le compresseur en marche, lire attentivement tous les manuels d'utilisation des pièces détachées, surtout le manuel du moteur.

Toutes les pompes de compresseur graissées relâchent un peu d'eau condensé et de l'huile avec l'air comprimé. Installer l'équipement nécessaire pour l'enlèvement d'eau/huile qui convient à votre application.

AVIS

Purger l'humidité du réservoir quotidiennement.

ATTENTION

Ne pas attacher des outils pneumatiques au bout ouvert du tuyau avant que la mise en marche du modèle soit complet et que vous avez vérifié le modèle.

AVIS

Manque d'installer de l'équipement pour l'enlèvement d'eau/huile peut résulter en dommage à l'équipement ou à l'objet de travail.

L'Humidité Dans l'Air Comprimé

L'humidité dans l'air comprimé forme des gouttelettes en arrivant de la pompe du compresseur. Si l'humidité est élevée ou si le compresseur est utilisé continuellement, cette humidité s'accumulera dans le réservoir. En utilisant un pistolet à peinture ou un pistolet pour décapage au sable, cette eau sera transportée du réservoir par moyen du tuyau, et en forme de gouttelettes hors du tuyau mélangée avec le matériel utilisé.

Important: Cette condensation peut avoir comme résultat des tâches d'eau sur votre travaille de peinture, surtout en pulvérisant la peinture à l'huile. Pendant la décapage au sable, cette eau servira à tenir le sable ensemble et à causer une obstruction dans le pistolet.

Un filtre dans la ligne d'air situé aussi proche du pistolet que possible, peut aider à éliminer cette humidité.

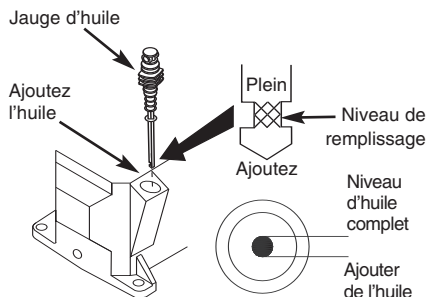
Fonctionnement de votre compresseur d'air (suite)

Graissage

Ce compresseur est expédié avec l'huile.

Utiliser de l'huile pour compresseur de qualité sans détergent à viscosité simple, ISO 100 (SAE 30); ou une huile synthétique Mobil 1® 5W30 ou 10W30. Voir l'illustration pour un remplissage d'huile approprié.

Se reporter au manuel du moteur pour le bon niveau et type d'huile.

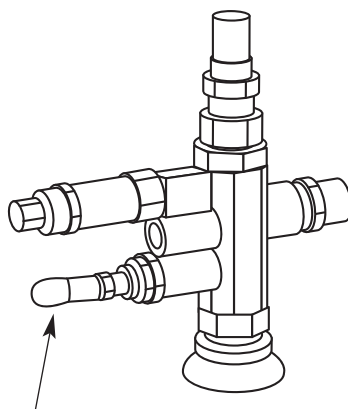


Démarrage

AVIS

Pour assurer un bon fonctionnement, l'appareil doit être sur une surface à niveau.

1. Remplir le modèle d'huile et d'essence tel qu'indiqué dans les instructions compris avec le moteur.
2. Retirer la jauge du compresseur ou vérifier le voyant d'huile pour s'assurer du bon niveau d'huile.
3. Mettre le levier de décharge manuel dans une position horizontale pour permettre que la pompe du compresseur fonctionne sans comprimer de l'air.

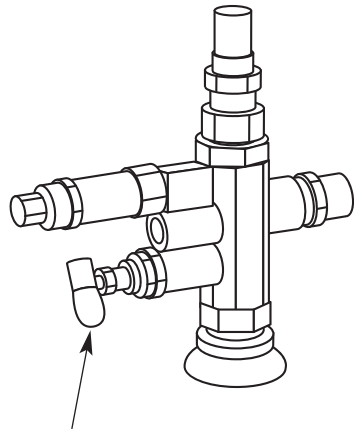


Levier de déchargeur manuel en position de déchargée

Pour démarrer le moteur à essence

4. Mettre le levier de l'étrangleur à la position CHOKE et mettre le levier d'arrêt à la position ON.
5. Tirer légèrement sur la poignée de démarrage jusqu'à ce que vous sentez de la résistance et ensuite tirer brusquement.
6. À mesure que le moteur se réchauffe, déplacer le levier de l'étrangleur petit à petit à la position ouverte. Voir le manuel d'instructions du moteur à essence pour plus de détails.
7. Faire fonctionner le compresseur sans charge pendant environ 30 minutes pour roder la pompe.
8. Après approximativement 30 minutes, déplacer le levier du déchargement à la position chargée. Le compresseur pompera de l'air dans le réservoir.

Lorsque la pression maximum du réservoir est atteinte, le compresseur se décharge automatiquement, mettant le moteur au repos. Le moteur demeure au repos jusqu'à ce que la pression tombe au niveau réglé d'avance. La vitesse du moteur s'augmente et le compresseur pompe de l'air additionnel dans le réservoir.



Levier de déchargeur manuel en position de chargée

Entretien

⚠ AVERTISSEMENT

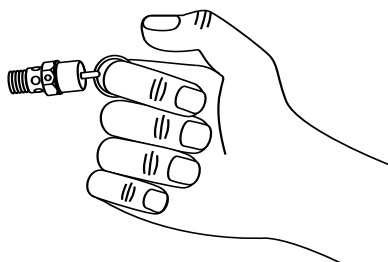
Dissiper toute la pression du système avant d'installer, réparer, déplacer ou de procéder à l'entretien du modèle.

Pour maintenir un fonctionnement efficace du système de compresseur, vérifier le filtre d'air chaque semaine (selon l'horaire d'entretien), le niveau d'huile et d'essence avant chaque utilisation. Il faut aussi vérifier chaque semaine la soupape de sûreté ASME. Tirer sur l'anneau de la soupape de sûreté et la laisser revenir à sa position normale. Cette soupape relâche l'air automatiquement si la pression du réservoir dépasse le maximum réglé d'avance. Si l'air s'échappe après que vous aviez relâché l'anneau, ou si la soupape est prise et ne peut pas être actionnée par l'anneau, la soupape de sûreté ASME doit être remplacée.

Avec le moteur hors circuit OFF, nettoyer le débris du moteur, volant, réservoir, canalisations d'air et des ailettes de refroidissement de la pompe.

⚠ DANGER

Ne pas trifouiller avec la soupape de sûreté ASME.



Horaire d'entretien

Opération	Hebdo-		
	Quotidien	madaire	Mensuel 3 Mois
Vérifier le niveau d'huile	●		
Purger le réservoir	●		
Vérifier le filtre à air		●	
Vérifier la soupape de sûreté		●	
Souffler la poussière de l'appareil		●	
Vérifier le serrage de courroies			●
Changer l'huile			●

Réservoir

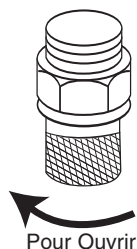
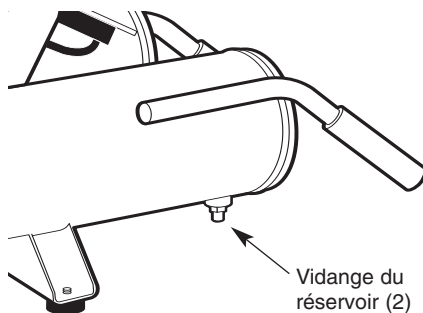
⚠ DANGER

Ne jamais essayer de réparer ni de modifier un réservoir! Le soudage, perçage ou autre modifications peuvent affaiblir le réservoir et peuvent résulter en dommage de rupture ou d'explosion. Toujours remplacer un réservoir usé, fendu ou endommagé.

AVIS

Drainer chaque jour le liquide des réservoirs.

Les réservoirs doivent être inspectés attentivement au moins une fois l'an. Rechercher les fissures près des soudures. Si une fissure est visible, dissiper la pression du réservoir immédiatement et le remplacer.



Enlevage, Inspection et Remplacement du Filtre

Pour remplacer un filtre, enlever le couvercle du carter de filtre. Si l'élément du filtre est sale, remplacer l'élément ou tout le filtre.

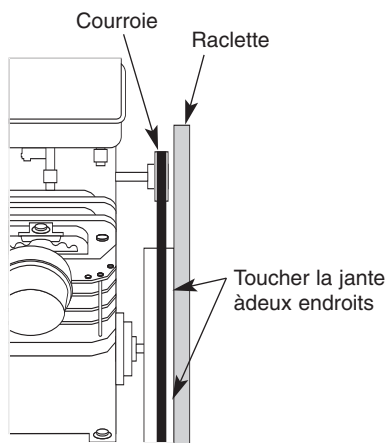
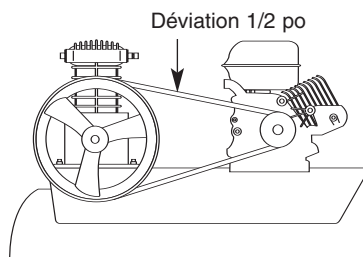
Entretien (suite)

Courroie d'Entrainement

Les courroies étirées sont le résultat d'utilisation normale. Lorsqu'elles sont bien ajustées, la déviation de la courroie est environ 1/2 po avec 2,26 kg de pression appliquée à mi-portée entre la poulie du moteur et la pompe.

Pour régler la tension de la courroie d'entraînement:

1. Enlever le carter de courroie et desserrer l'entretoise du moteur.
2. Desserrer les quatre attaches qui fixent le moteur à la plaque de base.
3. Mettre le moteur dans la bonne direction. La courroie doit être bien alignée lors de l'ajustement.
4. Pour aligner une courroie, placer une limande contre la face du volant, touchant la jante à deux endroits.
5. Ajuster le volant ou la poulie du moteur pour que la courroie soit parallèle à la limande.
6. Utiliser un arrache-roue pour déplacer la poulie sur l'arbre et serrer les attaches.
7. Ajuster l'entretoise et réinstaller le protecteur de courroie



Limande parallèle à la courroie

Entreposage

1. Lorsque hors d'usage, le tuyau et le compresseur devraient être entreposés dans un endroit frais et sec.
2. Purger l'humidité du réservoir.
3. Débrancher le tuyau et l'accrocher avec les bouts ouverts face en bas pour permettre que l'humidité se purge.

⚠ AVERTISSEMENT

Pour votre propre sécurité ne pas essayer ni faire fonctionner le compresseur d'air pendant le dépannage.

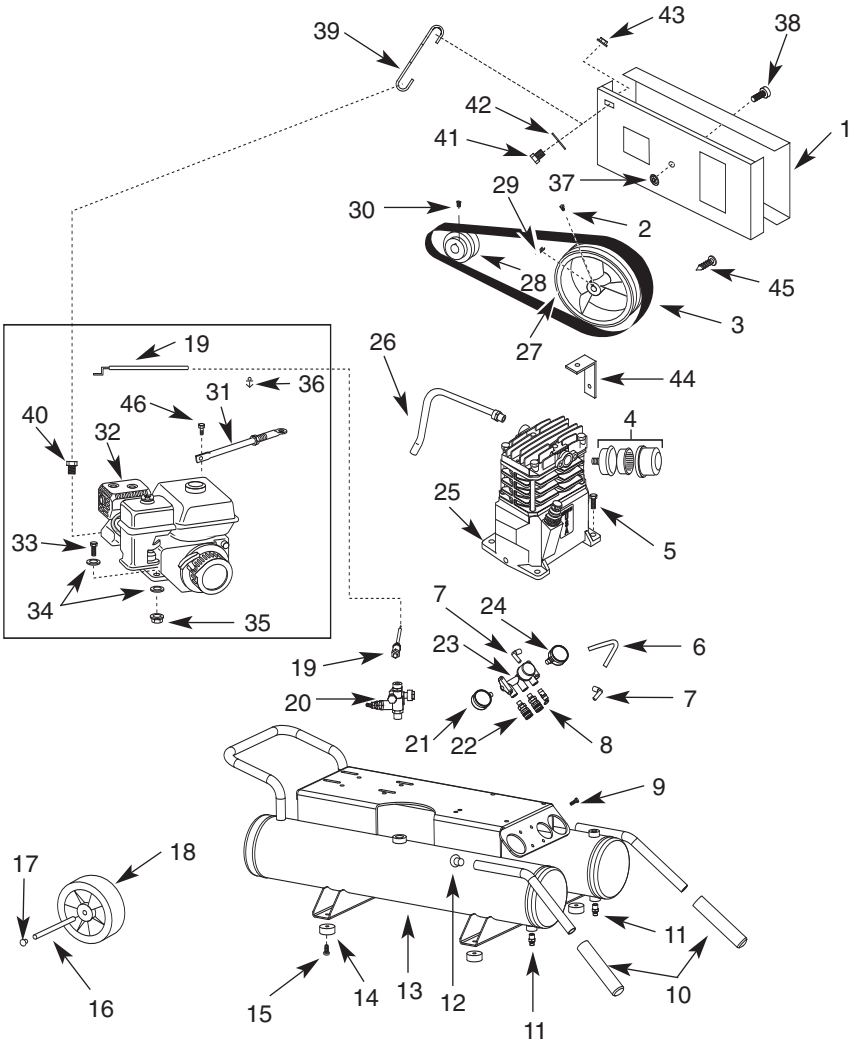
PROBLÈME	CAUSE PROBABLE	SOLUTION
Pression de décharge basse	<ol style="list-style-type: none">1. Fuites d'air2. Fuites dans les soupapes3. Arrivée d'air obstruée4. Patinage de courroies	<ol style="list-style-type: none">1. Écouter pour des fuites d'air. Appliquer de l'eau savonneuse aux raccords et connexions. Les bulles se formeront là où il y a des fuites. Serrer ou remplacer les raccords ou connexions qui ont des fuites2. Enlever la culasse et l'inspecter pour la panne des soupapes, soupapes endommagées et sièges de soupapes rayés, etc. Remplacer les pièces défectueuses et monter de nouveau <div data-bbox="660 894 975 932" data-label="Section-Header"><h3>⚠ ATTENTION</h3></div> <p>S'assurer que le vieux joint d'étanchéité de culasse soit remplacé avec un nouveau chaque fois que la culasse soit enlevée</p> <ol style="list-style-type: none">3. Nettoyer la cartouche filtrante4. Desserrer les boulons de serrage et déplacer le moteur dans une direction à l'écart du compresseur, s'assurant que la poulie du moteur soit alignée parfaitement avec le volant. Serrer les boulons de serrage. La courroie devrait dévier environ 12,7 mm sous 2,3 kg de force. Ne pas "rouler" les courroies par dessus des poulies

Dépannage (suite)

PROBLÈME	CAUSE PROBABLE	SOLUTION
Pression de décharge basse (suite)	<ol style="list-style-type: none"> 5. Joints d'étanchéité en panne 6. Compression basse 	<ol style="list-style-type: none"> 5. Remplacer les joints d'étanchéité jugés défectueux 6. La pression basse peut être le résultat de segments et murs de cylindre usés. Remplacer les segments, cylindres et pistons au besoin
Surchauffage	<ol style="list-style-type: none"> 1. Aération inadéquate 2. Surfaces refroidissantes sales 	<ol style="list-style-type: none"> 1. Placer le compresseur dans un endroit avec un surplus d'air frais, propre sec et bien circulé 2. Nettoyer les surfaces refroidissantes de la pompe et du moteur
Usure excessive de la courroie	<ol style="list-style-type: none"> 1. Poulie mal-alignée 2. Courroie trop lâche ou trop serrée 3. Patinage de courroies 4. Poulie tremble 	<ol style="list-style-type: none"> 1. Aligner de nouveau la poulie du moteur avec la poulie du compresseur 2. Ajuster la tension (Voir section de Courroies D'Entrainement) 3. Ajuster la tension ou remplacer la courroie (Voir section de Courroies D'Entrainement) 4. Vérifier pour un vilebrequin, rainure de clavette ou alésage de poulie résultant du fonctionnement du compresseur ou du moteur avec poulies lâches. Vérifier pour des poulies ou vilebrequin courbés
Le modèle s'arrête	<ol style="list-style-type: none"> 1. Moteur surchargé 2. Graissage inadéquat 3. Niveau d'huile bas 	<ol style="list-style-type: none"> 1. Faire vérifier le moteur et l'installation de fils par un électricien qualifié et procéder avec ses recommandations. Vérifier la connexion de tension du moteur 2. Voir GRAISSAGE, sous Montage 3. Vérifier le niveau d'huile. Remplir au besoin

PROBLÈME	CAUSE PROBABLE	SOLUTION
Le modèle s'arrête <i>(suite)</i>	4. Clapet défectueux	4. Remplacer
Bruit excessif (cognement)	1. Poulie de moteur ou de compresseur lâche 2. Manque d'huile dans le carter 3. Bielle usée 4. Douille d'axe de piston usé 5. Roulements usés 6. Le piston frappe la plaque de soupape 7. Clapet bruyant	1. Le cognement des compresseurs est souvent le résultat de poulies de moteur ou de compresseurs lâches. Serrer les boulons de serrage et les vis de pression de la poulie 2. Vérifier le niveau d'huile; si bas, vérifier pour des roulements endommagés. De l'huile sale peut causer l'usure excessive 3. Remplacer la bielle 4. Enlever les montages de piston du compresseur et les inspecter pour l'usure excessive. Remplacer l'axe de piston ou pistons usés au besoin 5. Remplacer les roulements usés et changer l'huile 6. Enlever la culasse et plaque de soupape du compresseur et les inspecter pour des dépôts charbonneux ou autres matières étranges sur le piston. Remplacer la culasse et la plaque de soupape utilisant un nouveau joint d'étanchéité 7. Remplacer
L'huile dans l'air de décharge	1. Segments de piston usés 2. Arrivée d'air du compresseur obstrué 3. Reniflard obstrué 4. Huile excessif dans le compresseur 5. Huile de mauvaise viscosité 6. Bielle hors-d'alignement	1. Remplacer avec des nouveaux segments 2. Nettoyer le filtre. Vérifier pour d'autres restrictions dans le système d'arrivée 3. Nettoyer et vérifier le reniflard pour l'opération libre 4. Vider jusqu'au niveau plein 5. Utiliser l'huile sans détergent SAE 30 (ISO 100) 6. Remplacer la bielle

Pièces de rechange



Pièces de rechange

Pour les pièces de rechange, appeler le 1-800-4-RIDGID

S'il vous plaît fournir l'information suivant:

-Numéro du modèle

-Numéro de série (si applicable)

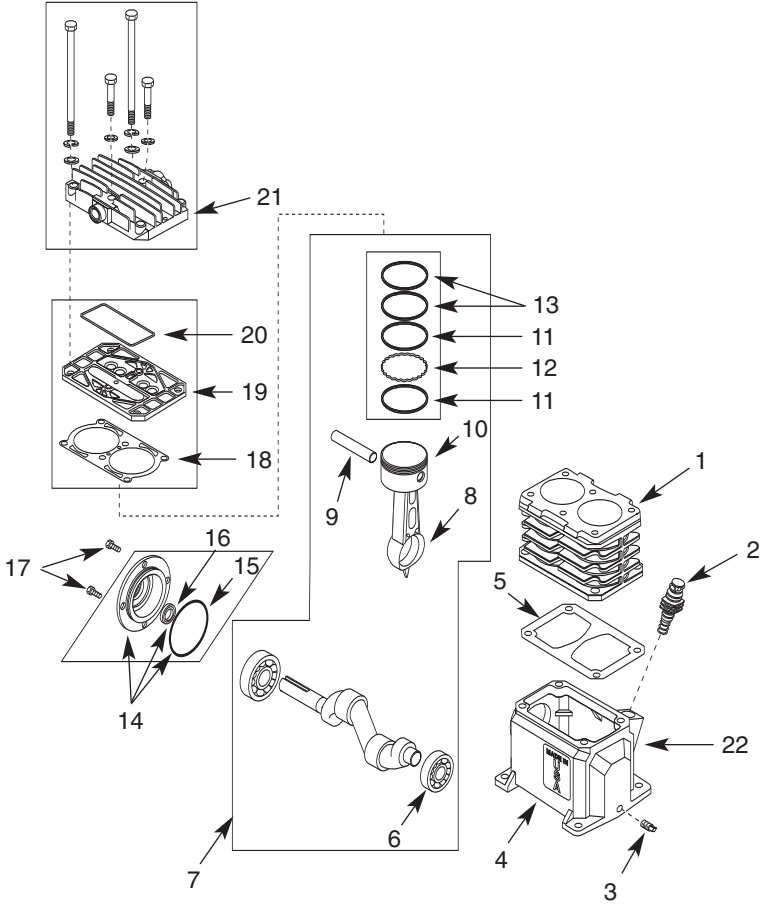
-Description de la pièce et son numéro sur la liste de pièces

No. Ref.	No de catalogue	Numéro de pièce	Description	Qté
1	17993	BG220901AJ	Montage du dispositif de protection de la courroie (#37 - 45 compris)	1
2	—	—	Vis de pression (inclus avec 27)	1
3	18003	BT023100AV	* Courroie (4L510)	1
4	17703	WL026100AV	Filtre équipé	1
5	—	ST070827AV	Vis	4
6	—	◆	Tube de nylon de 3/8 po	1
7	—	◆	Raccord à coude	2
8	17798	V-215106AV	Soupape de sûreté ASME	1
9	17783	ST071626AV	Vis torx	4
10	18028	ST160002AV	* Poignée de manche	2
11	17913	D-1403	* Robinet de purge	2
12	17918	ST073612AV	Fiche	2
13	18033	AR053400OR	Réservoir d'air	1
14	17853	ST158300AV	* Pied en caoutchouc	4
15	18038	ST116400AV	Vis	4
16	18043	AA021800AV	Tige d'arbre de roue	1
17	18048	ST073613AV	Bouchon	2
18	18053	WA005501AV	* Roue pneumatique 10" (2,54 cm)	1
19	18058	CV006412AV	* Commande d'obturateur	1
20	—	ST171400AV	* Déchargeur d'obturateur	1
21	17878	GA016709AV	* Manomètre, Sortie	1
22	17873	HF203300AV	* Raccord	2
23	17793	WL024501AV	* Ensemble rég. (inclut 21, 22 et 24)	1
24	17773	GA016705AV	* Manomètre, Réservoir	1
25	18068	VT470000AV	Pompe	1
26	18073	ST186600AV	Tuyau de décharge	1
27	18078	PU015901AV	Volant (inclut 2)	1
28	18083	PU015400AV	Poulie	1
29	18088	KE000900AV	Clé 3/16 po	1
30	18093	ST012200AV	Vis de pression à tête carrée	1
31	18098	BG208800AJ	Assemblage d'ancre	1
32	18103	NG002502AV	Moteur	1
33	18108	ST070625AV	Vis à tête hexagonale	4
34	18113	ST011200AV	Rondelle	8
35	18118	AL014000AV	Contre-écrou	4
36	18123	ST164100AV	Dispositif de retenue des fils	1
37	20978	ST033500AV	Écrou à collet de 3/8 po	1
38	20983	ST084704AV	Boulon d'épaulement de 3/8 po	1
39	22788	BG210000AV	Fixation de protecteur de courroie (Moteur)	1
40	22793	ST070674AV	Boulon, 5/16 po - 24 x 1/2 po	1
41	20423	ST016000AV	Vis, 5/16 po - 18 x 3/4 po	1
42	18113	ST011200AV	Rondelle 5/16 po	1
43	20428	ST146001AV	Écrou, 5/16 po - 18	1
44	21003	BG220400AV	Fixation de protecteur de courroie (Pompe)	1
45	21008	ST073278AV	Attache de carter de courroie	8
46	22783	ST076829AV	Boulon, M8 - 1.25 x 30	1

NÉCESSAIRES DE RÉPARATION

◆	22098	VT273500AJ	Nécessaire de tubes	1
*	Considéré un article sujet à l'usure.			
*	Article normal de quincaillerie - disponible à votre quincaillerie locale			

Pièces de rechange



Pièces de rechange

Pour les pièces de rechange, appeler le 1-800-4-RIDGID

S'il vous plaît fournir l'information suivant:

-Numéro du modèle

-Numéro de série (si applicable)

-Description de la pièce et son numéro sur la liste de pièces

No. Ref.	No de catalogue	Numéro de pièce	Description	Qté
1	18128	VT040900AG	Cylindre	1
2	—	VH901100AV	Reniflard	1
3	18138	ST022300AV	Bouchon de vidange d'huile 1/8 po NPT	1
4	18143	VT040300AG	Carter	1
5	—	●	Joint d'étanchéité du carter	1
6	18148	ST084202AV	Roulements à bille	2
7	18153	VT040600AJ	Assemblage de villebrequin	1
8	18158	VT040100AG	Bielle de connexion	2
9	18163	VS001400AV	Goupille de piston	2
10 ▲	18168	TQ011900AG	Piston	2
11 ■	—	■	Bague de graissage	4
12 ■	—	■	Mandrin	2
13 ■	—	■	Bague	4
14	18173	VT040200AJ	Assemblage de chapeau de palier	1
15	—	●	Joint torique	1
16 ●	18178	ST129700AV	Bague d'étanchéité	1
17	18183	—	Vis d'assemblage M6-1.00 x 10	4
18	—	●	Joint étanche du cylindre	1
19	18188	VT470800AJ	Montage de plaque de soupape	1
20	—	●	Joint de plaque de soupape	1
21	18193	TQ900800AJ	Attaches et tête du cylindre	1
22	27433	ST191700AV	Voyant d'huile avec joint torique	1
NÉCESSAIRES DE RÉPARATION				
●	18198	VT470900AJ	Jeu de joint d'étanchéité	1
■	18203	VT210401AJ	Jeu de segments de piston	1
▲	18208	VT005501AJ	Nécessaire d'entretien de piston	2

RIDGID®

Catalogue numéro GP90150A
No de modèle GP90150A No de série
Les numéros de modèle et de série se trouvent sur votre appareil. Vous devriez enregistrer les numéros de série et de modèle dans un endroit sûr à titre de référence future.

GARANTIE LIMITÉE DE TROIS ANS DE COMPRESSEUR D'AIR RIDGID

Ce produit est fabriqué par Campbell Hausfeld. La marque de commerce et sous licence de Ridgid, Inc. Toutes les communications sous garantie doivent être adressées au service technique du compresseur d'air RIDGID au (numéro sans frais) 1-800-4-RIDGID.

CE QUI EST COUVERT SOUS LA GARANTIE LIMITÉE DE TROIS ANS

Cette garantie couvre tous les défauts de main d'oeuvre ou de matériaux dans ce compresseur d'air RIDGID pour une période de trois ans à partir de la date d'achat. Cette garantie est pour ce compresseur d'air précis. Les garanties d'autres produits RIDGID peuvent varier.

COMMENT OBTENIR LE SERVICE

Pour obtenir le service pour ce compresseur d'air RIDGID, vous devez le retourner, frais de transport prépayés, à un centre de service autorisé pour effectuer les réparations de compresseurs d'air RIDGID. Vous pouvez obtenir l'information sur le centre de service le plus près de vous en appelant le (numéro sans frais) 1-800-4-RIDGID ou en visitant le site Web www.ridgid.com. Pour toute demande de service sous garantie, vous devez présenter la documentation de preuve d'achat qui inclut une date d'achat. Le centre de service autorisé réparera tout problème de main d'oeuvre et réparera ou remplacera toute pièce défectueuse, à la discrétion de Campbell Hausfeld sans frais pour vous.

CE QUI N'EST PAS COUVERT

Cette garantie est offerte seulement à l'acheteur original au détail et ne peut pas être transférée. Elle ne couvre pas l'usure normale ou toute défaillance, mauvais fonctionnement ou défaut suite à une mauvaise utilisation, un abus, de la négligence, des modifications, des altérations ou des réparations par tout autre qu'un centre de service autorisé à réparer les compresseurs d'air de marque RIDGID. Les matériaux courants tels qu'huile, filtres, etc. ne sont pas couverts sous cette garantie. Les composants et moteurs à essence sont expressément exclus de la couverture et vous devez vous conformer à la garantie du fabricant du moteur qui est fournie avec le produit. **CAMPBELL HAUSFELD N'OFFRE AUCUNE GARANTIE, DÉCLARATION OU PROMESSE QUANT À LA QUALITÉ OU LA PERFORMANCE DE SES COMPRESSEURS D'AIR AUTRES QUE CEUX INDIQUÉS SPÉCIFIQUEMENT DANS CETTE GARANTIE. RIDGID INC N'OFFRE AUCUNE GARANTIE OU DÉCLARATION, EXPRESSE OU IMPLICITE Y COMPRIS CE QUI EST INDIQUÉ PLUS BAS.**

LIMITES SUPPLÉMENTAIRES

Dans la mesure permise par la loi applicable, toutes les garanties implicites, y compris les garanties DE COMMERCIALITÉ et D'ADAPTATION À UN USAGE PARTICULIER, sont déclinées. Toutes les garanties implicites, y compris les garanties de commercialité ou d'adaptation à un usage particulier, qui ne peuvent pas être déclinées sous la loi de l'État sont limitées à trois ans à partir de la date d'achat. Campbell Hausfeld n'est pas responsable des dommages directs, indirects, accidentels, spéciaux ou consécutifs. Certains États ou certaines Provinces n'autorisent pas de limitations de durée pour les garanties implicites, ni l'exclusion ni la limitation des dommages fortuits ou indirects. Les limitations précédentes peuvent donc ne pas s'appliquer. Cette garantie vous donne des droits juridiques spécifiques et vous pouvez aussi avoir d'autres droits qui peuvent varier d'une juridiction à l'autre.

QUESTIONS OU COMMENTAIRES

APPELER LE 1-800-4-RIDGID

www.ridgid.com

En appelant, veuillez avoir à portée de la main votre numéro de modèle et votre numéro de série.

Free Manuals Download Website

<http://myh66.com>

<http://usermanuals.us>

<http://www.somanuals.com>

<http://www.4manuals.cc>

<http://www.manual-lib.com>

<http://www.404manual.com>

<http://www.luxmanual.com>

<http://aubethermostatmanual.com>

Golf course search by state

<http://golfingnear.com>

Email search by domain

<http://emailbydomain.com>

Auto manuals search

<http://auto.somanuals.com>

TV manuals search

<http://tv.somanuals.com>