

M32171T-PTC

Converter Board for M32171FxxFP (for In-circuit Connection)

User's Manual

Keep safety first in your circuit designs!

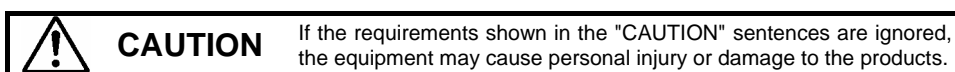
- Renesas Technology Corporation and Renesas Solutions Corporation put the maximum effort into making semiconductor products better and more reliable, but there is always the possibility that trouble may occur with them. Trouble with semiconductors may lead to personal injury, fire or property damage. Remember to give due consideration to safety when making your circuit designs, with appropriate measures such as (i) placement of substitutive, auxiliary circuits, (ii) use of nonflammable material or (iii) prevention against any malfunction or mishap.

Notes regarding these materials

- These materials are intended as a reference to assist our customers in the selection of the Renesas Technology product best suited to the customer's application; they do not convey any license under any intellectual property rights, or any other rights, belonging to Renesas Technology Corporation, Renesas Solutions Corporation or a third party.
- Renesas Technology Corporation and Renesas Solutions Corporation assume no responsibility for any damage, or infringement of any third-party's rights, originating in the use of any product data, diagrams, charts, programs, algorithms, or circuit application examples contained in these materials.
- All information contained in these materials, including product data, diagrams, charts, programs and algorithms represents information on products at the time of publication of these materials, and are subject to change by Renesas Technology Corporation and Renesas Solutions Corporation without notice due to product improvements or other reasons. It is therefore recommended that customers contact Renesas Technology Corporation, Renesas Solutions Corporation or an authorized Renesas Technology product distributor for the latest product information before purchasing a product listed herein. The information described here may contain technical inaccuracies or typographical errors. Renesas Technology Corporation and Renesas Solutions Corporation assume no responsibility for any damage, liability, or other loss rising from these inaccuracies or errors. Please also pay attention to information published by Renesas Technology Corporation and Renesas Solutions Corporation by various means, including the Renesas home page (<http://www.renesas.com>).
- When using any or all of the information contained in these materials, including product data, diagrams, charts, programs, and algorithms, please be sure to evaluate all information as a total system before making a final decision on the applicability of the information and products. Renesas Technology Corporation and Renesas Solutions Corporation assume no responsibility for any damage, liability or other loss resulting from the information contained herein.
- Renesas Technology semiconductors are not designed or manufactured for use in a device or system that is used under circumstances in which human life is potentially at stake. Please contact Renesas Technology Corporation, Renesas Solutions Corporation or an authorized Renesas Technology product distributor when considering the use of a product contained herein for any specific purposes, such as apparatus or systems for transportation, vehicular, medical, aerospace, nuclear, or undersea repeater use.
- The prior written approval of Renesas Technology Corporation and Renesas Solutions Corporation is necessary to reprint or reproduce in whole or in part these materials.
- If these products or technologies are subject to the Japanese export control restrictions, they must be exported under a license from the Japanese government and cannot be imported into a country other than the approved destination. Any diversion or reexport contrary to the export control laws and regulations of Japan and/or the country of destination is prohibited.
- Please contact Renesas Technology Corporation or Renesas Solutions Corporation for further details on these materials or the products contained therein.

Precautions to be taken when using this product

- This product is a development supporting unit for use in your program development and evaluation stages. In mass-producing your program you have finished developing, be sure to make a judgment on your own risk that it can be put to practical use by performing integration test, evaluation, or some experiment else.
- In no event shall Renesas Solutions Corporation be liable for any consequence arising from the use of this product.
- Renesas Solutions Corporation strives to renovate or provide a workaround for product malfunction at some charge or without charge. However, this does not necessarily mean that Renesas Solutions Corporation guarantees the renovation or the provision under any circumstances.
- This product has been developed by assuming its use for program development and evaluation in laboratories. Therefore, it does not fall under the application of Electrical Appliance and Material Safety Law and protection against electromagnetic interference when used in Japan.



Renesas Tools Homepage <http://www.renesas.com/en/tools>

1. Outline

The M32171T-PTC is a converter board to feature debugging functions such as real-time tracing when using the M32171FxxFP with the emulator M32170T-SDI, M32100T-SDI-E or M32100T2-SDI-E.

2. Package Components

- (1) M32171T-PTC converter board
- (2) YQPACK144SD (made by Tokyo Eletech Corporation)
- (3) NQPACK144SD (made by Tokyo Eletech Corporation)
- (4) YQ-GUIDE (x4)
- (5) Phillips screwdriver (made by Tokyo Eletech Corporation)
- (6) M32171T-PTC User's Manual (this manual)

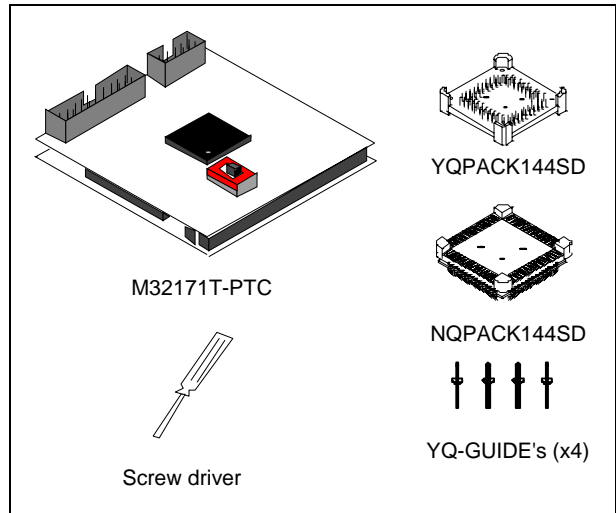


Figure 1 Package components

3. Specifications

Table 1 Specifications

Applicable package	144P6Q-A (144-pin 0.5-mm-pitch QFP)
Applicable MCU	M32171FxxFP
Applicable emulators	M32170T-SDI-E M32100T-SDI-E M32100T2-SDI-E
Mounted MCU	M32170F6VWG
Mounted clock	10 MHz
Power supply	Supplied from target board

4. Usage

The M32171T-PTC can be used for debugging and onboard evaluation in common by mounting the NQPACK144SD on the target board.

- (1) For debugging
Mount the NQPACK144SD (included with the M32171T-PTC) on the 144QFP foot pattern of the target board. And connect the M32171T-PTC via the YQPACK144SD to the NQPACK144SD. As the M32170F6VWG is mounted on the M32171T-PTC, you can fully use the emulator's functions such as real-time tracing.
- (2) For onboard evaluation
Mount the M32171FxxFP and HQPACK144SD (not included) on the NQPACK144SD of the target system in this order.

Before using the M32171T-PTC, be sure to read "7. Precautions" on page 4.

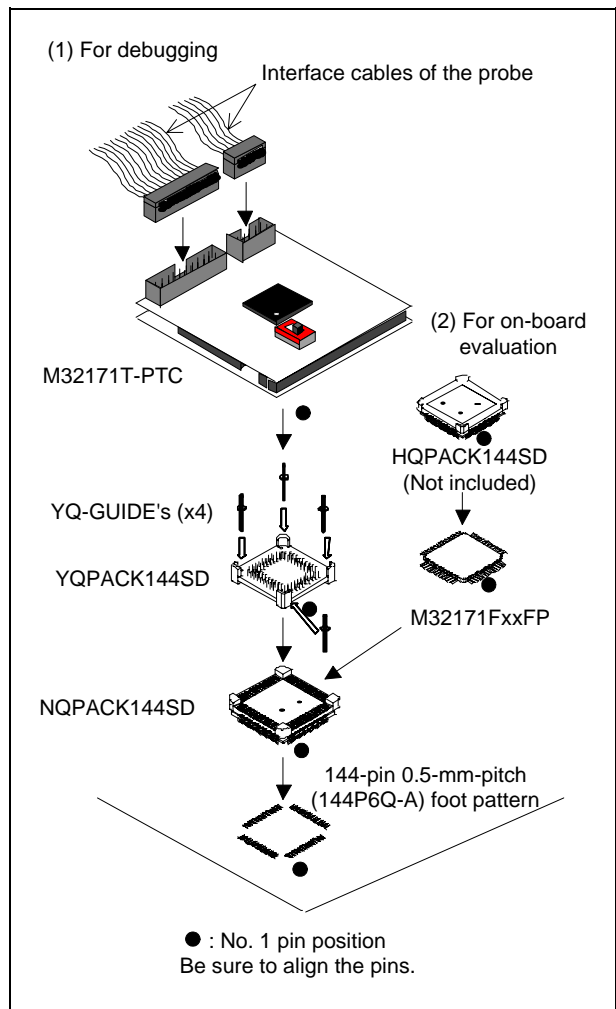


Figure 2 Usage of the M32171T-PTC

5. Attaching Procedure

How to attaching the M32171T-PTC is shown below. (see Figure 3)

- (1) Mount the NQPACK144SD on the foot pattern of the target system
- (2) Attach the YQPACK144SD to the NQPACK144SD.
- (3) Secure the four corners of the YQPACK144SD with the YQ-GUIDE's.
- (4) Set the clock selection switch.
- EXT*¹: The clock of pin XIN of the target board is supplied to the MCU on the M32171T-PTC.
- INT: The clock (10 MHz) on the M32171T-PTC is supplied to the MCU.
- (5) Connect the SDI MCU control interface cable and the SDI trace interface cable of the emulator probe to the M32171T-PTC.
- (6) Attach the M32171T-PTC to the YQPACK144SD.

*1: When "EXT" is selected, take notice that the automatic oscillation does not occur. Connect the output of the oscillator to pin XIN.

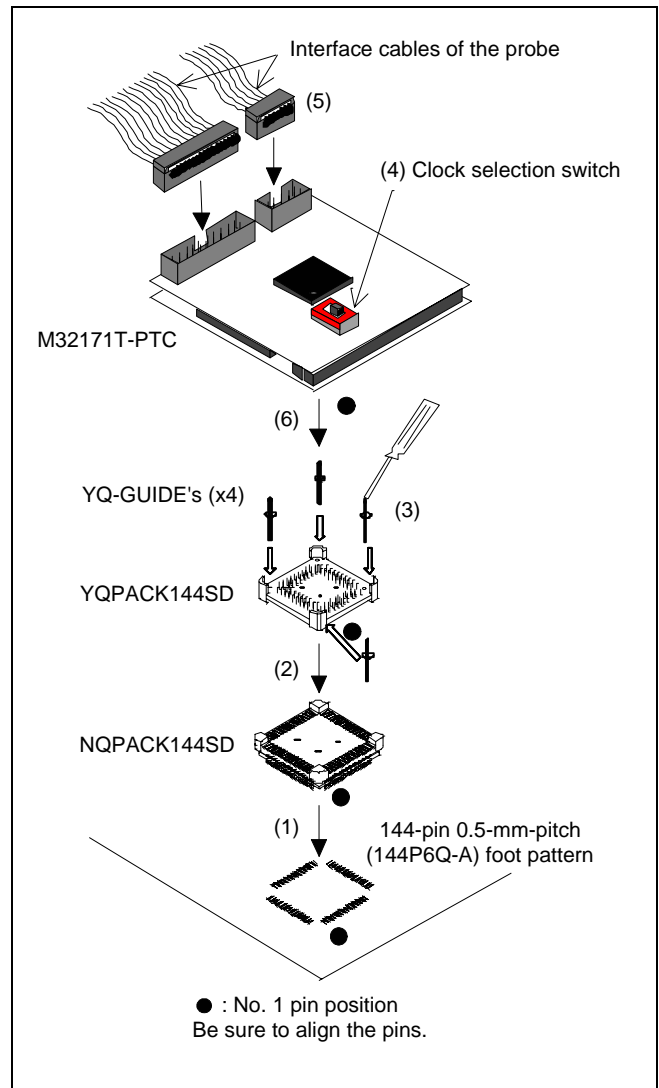


Figure 3 Attaching procedure of the M32171T-PTC

6. External Dimensions and Sample Foot Pattern of the M32171T-PTC

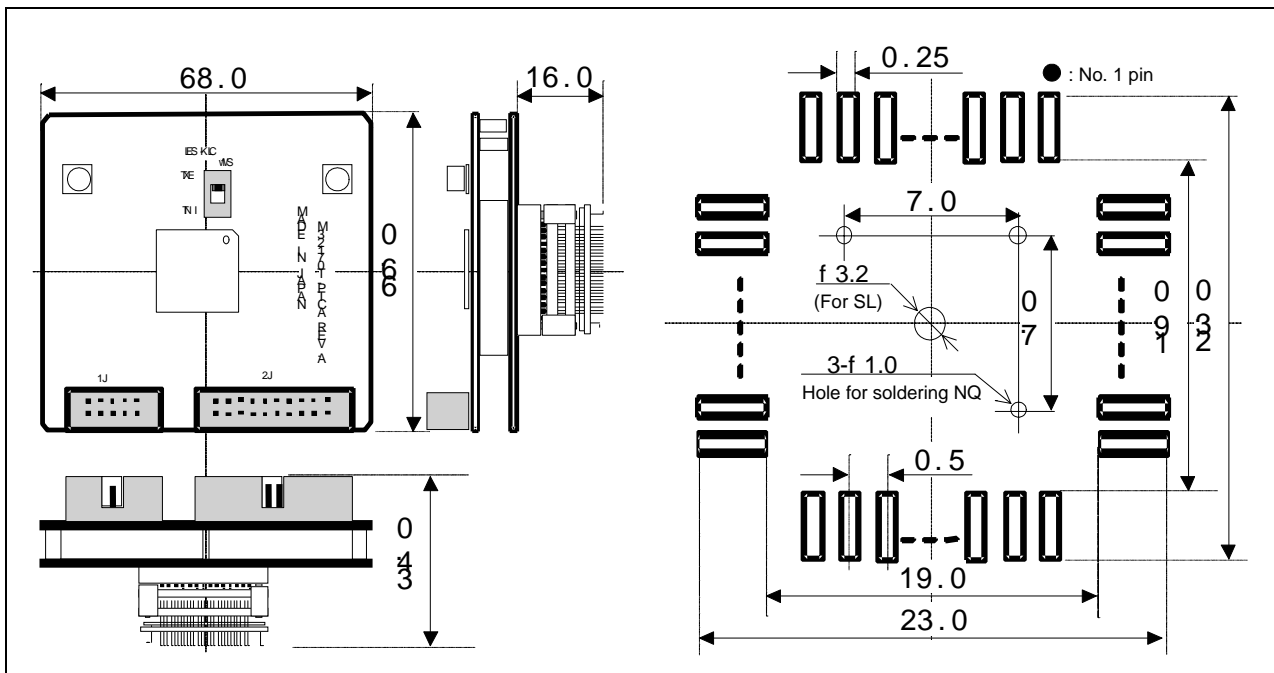


Figure 4 External dimensions and sample foot pattern of the M32171T-PTC

7. Precautions

CAUTION

Cautions for the emulator:



- For debugging, be sure to use this product in a combination with the emulator M32100T2-SDI-E, M32170T-SDI or M32100T-SDI-E.
- When starting up the PD32R, select an MCU file according to an MCU and operation mode. For selecting an MCU file, refer to the release notes of the debugger.
- Connect both the SDI MCU control interface cable (10-conductor) and SDI trace interface cable (20-conductor) to the emulator.
- For the precautions for a combination with an emulator, refer to the user's manual of each emulator.

Cautions for Differences Between the Emulator and an actual MCU:



- The M32170F6VWG (768 KB of internal flash ROM and 40 KB of internal RAM) on the M32171T-PTC is used for debugging. Take care of differences of internal memory sizes.
- When setting the clock selection switch to "EXT", connect the clock generated by an oscillator of the target system to pin XIN. The automatic oscillation between XIN and XOUT does not occur.
- Load capacity of all the signal lines of the MCU becomes greater than that of the actual signal lines on the MCU. Therefore, for a part where timing is critical, Give due consideration to its connection

Cautions to Be Taken for This Product:



- When attaching the YQPACK144SD, be sure to use the included YQ-GUIDE's.

IMPORTANT

Notes on This Product:

- We cannot accept any request for repair.
- To purchase NQPACK144SD and HQPACK144SD, contact the following.
Tokyo Eletech Corporation <http://www.tetc.co.jp/>
- For inquiries about this product or the contents of this manual, contact your local distributor.
Renesas Tools Homepage <http://www.renesas.com/en/tools>

Free Manuals Download Website

<http://myh66.com>

<http://usermanuals.us>

<http://www.somanuals.com>

<http://www.4manuals.cc>

<http://www.manual-lib.com>

<http://www.404manual.com>

<http://www.luxmanual.com>

<http://aubethermostatmanual.com>

Golf course search by state

<http://golfingnear.com>

Email search by domain

<http://emailbydomain.com>

Auto manuals search

<http://auto.somanuals.com>

TV manuals search

<http://tv.somanuals.com>