

# RICCAR®

## VIBRANCE

R20E & R20ENT

Owner's Manual





## Getting Started

Important Safety Instructions .....	2
Polarization Instructions .....	3
State of California Proposition 65 Warnings .....	3
Description of the Vacuum .....	4
Assembling the Vacuum .....	6

## Operation

Unwinding the Power Cord .....	7
Turning the Vacuum On/Off .....	7
Vacuumping Under Furniture .....	8
Carrying the Vacuum .....	9
Carpet Height Adjustment .....	9

## Attachment Cleaning

Wand Cleaning .....	10
Cleaning Tools .....	11
Adjusting The Suction Power .....	12
Optional Cleaning Tools .....	13
Connecting Attachment Hose .....	14

## Maintenance and Care

Replacing the Vacuum Bag .....	15
When to Change the Filters .....	16
Replacing the Post Filter .....	16
Replacing the Secondary Filter .....	17
Removing and Reinstalling the Bottom Plate .....	18
Replacing the Agitator Belt .....	19
Edge Cleaning .....	20
Annual Checkup Reminder .....	20

## Problem Solving Guide

Unclogging the Nozzle and Hose .....	21
Thermal Motor Protection .....	22
Troubleshooting .....	23
How to Contact Your Authorized Retailer .....	23
Visit Riccar Online .....	23

<b>Warranty</b> .....	<b>24</b>
-----------------------	-----------

# IMPORTANT SAFETY INSTRUCTIONS

---

When using an electrical appliance, basic precautions should always be followed, including the following:

## READ ALL INSTRUCTIONS BEFORE USING THIS APPLIANCE

**IMPORTANT:** The manufacturer cannot accept responsibility for damage caused when the appliance is not used according to the instructions or for uses other than those for which it was intended.

To reduce the risk of fire, electric shock or injury:

- Do not leave appliance when plugged in. Unplug from outlet when not in use and before servicing.
- Do not handle plug or appliance with wet hands.
- **WARNING: ELECTRIC SHOCK COULD OCCUR IF USED OUTDOORS OR ON WET SURFACES.**
- Do not put any object into openings. Do not use with any opening blocked; keep free of dust, lint, hair and anything that may reduce air flow.
- Do not allow to be used as a toy. Close attention is necessary when used by or near children.
- Keep hair, loose clothing, fingers and all parts of body away from openings and moving parts.
- Use only as described in this manual. Use only manufacturer's recommended attachments.
- Do not pick up anything that is burning or smoking, such as cigarettes, matches or hot ashes.
- Do not use with damaged cord or plug. If appliance is not working as it should, has been dropped, damaged, left outdoors, or dropped into water, return it to your Authorized Retailer for service.
- Do not use without vacuum bag and/or filters in place.
- Do not pull or carry by cord, use cord as a handle, close a door on the cord, or pull cord around sharp edges or corners. Do not run appliance over cord. Keep cord away from heated surfaces.
- Turn off all controls before unplugging.
- Use extra care when cleaning on stairs.
- Do not unplug by pulling on cord. To unplug, grasp the plug, not the cord.
- Do not use to pick up flammable or combustible liquids, such as gasoline, or use in areas where they may be present.
- Do not attempt to service the unit while appliance is plugged in.

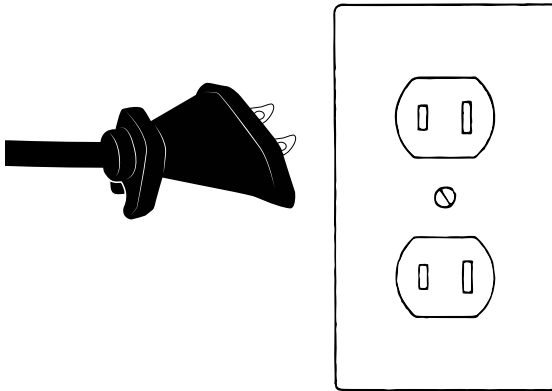
## SAVE THESE INSTRUCTIONS.

# POLARIZATION INSTRUCTIONS

---

## POWER CORD, 2-WIRE POLARIZED CORD

To reduce the risk of electric shock, this product is equipped with a polarized alternating current line plug (a plug having one blade wider than the other). This plug will fit into the power outlet only one way. This is a safety feature. If you are unable to insert the plug fully into the outlet, try reversing the plug. If the plug should still fail to fit, contact a qualified electrician to replace the obsolete outlet. Do not defeat the safety purpose of the polarized plug.



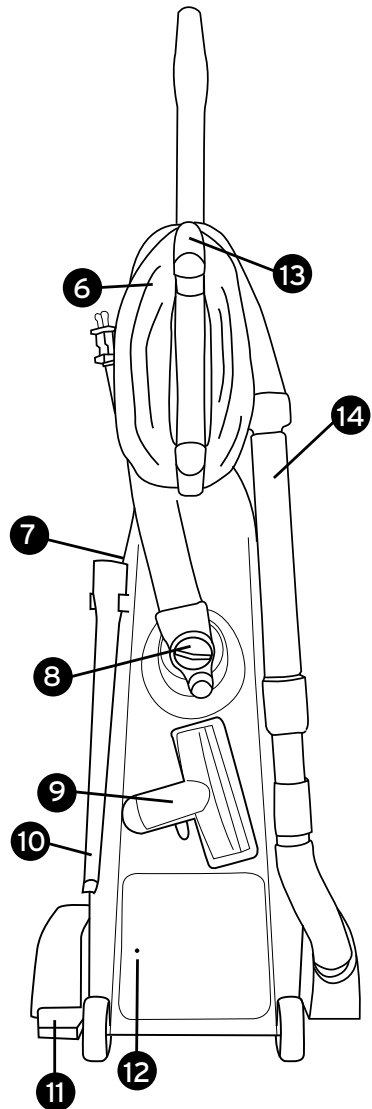
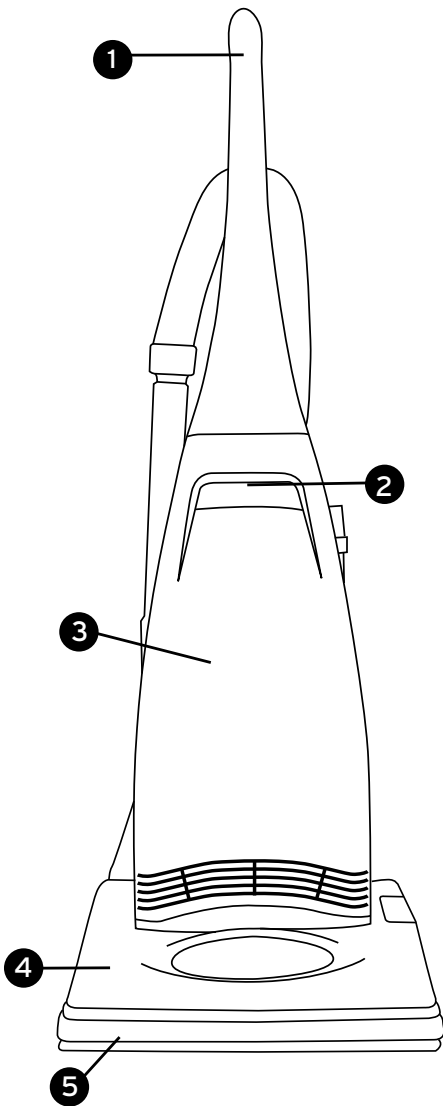
### State of California Proposition 65 Warnings:

**WARNING:** This product contains one or more chemicals known to the State of California to cause cancer.

**WARNING:** This product contains one or more chemicals known to the State of California to cause birth defects or other reproductive harm.

# DESCRIPTION OF THE VACUUM

---



# DESCRIPTION OF THE VACUUM

---

- 1 Ergonomic Handle
- 2 Carrying Handle
- 3 Bag Compartment Cover (to Replace Vacuum Bag)
- 4 Vacuum Nozzle
- 5 Furniture Guard
- 6 Power Cord
- 7 Main On/Off Power Switch
- 8 Suction Control Dial
- 9 Combination Dusting/Upholstery Brush (Model R20E)
- 10 Crevice Tool (Model R20E)
- 11 Handle Release Pedal
- 12 Thermal Motor Protection Reset Button
- 13 Quick Release Upper Cord Hook
- 14 Ready Reach™ Tools (Model R20E)

# ASSEMBLING THE VACUUM

## Attaching The Handle To The Vacuum

The vacuum cleaner and the handle are packed separately.

- After first removing the handle screw, position the handle behind the vacuum cleaner and level with the top of the unit. Hold the power cord down and away from the vacuum while the handle is being attached.
- On the bottom of the handle are two “T-shaped” rails that slide forward onto two guides located on the top of the vacuum cleaner. Line up the handle so that the “T” rails will slide into the guides and push the handle forward (Fig. 1).
- Insert the handle screw and tighten securely (Fig. 2).
- Turn the upper cord storage hook to the upright position and wind the power cord around the cord storage hooks when storing the vacuum cleaner (Fig. 3).

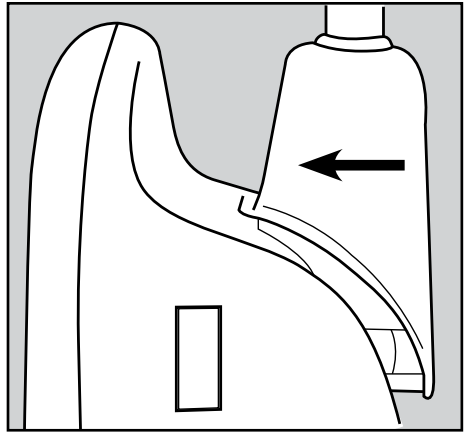


Fig. 1

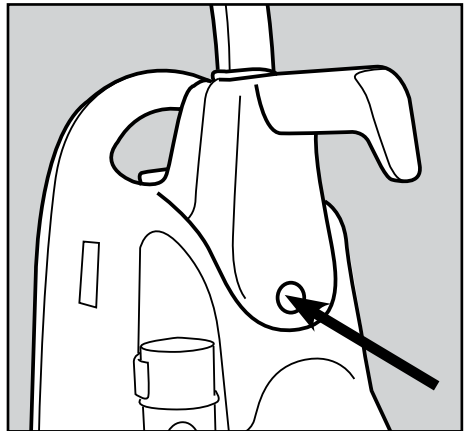


Fig. 2

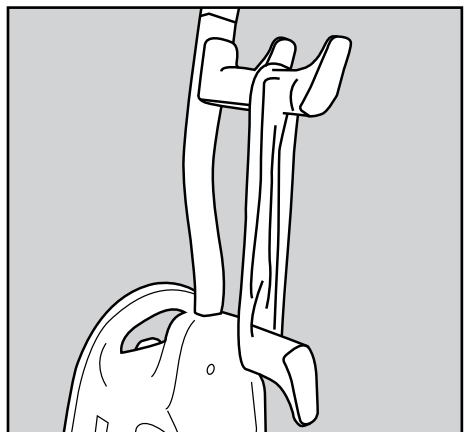
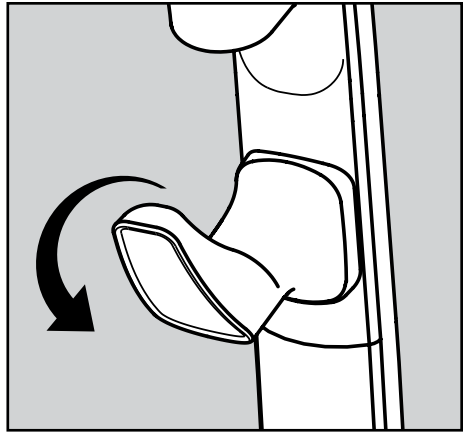


Fig. 3



## Unwinding the Power Cord

- The upper cord hook rotates to allow for quick access to the power cord.



## Turning the Vacuum On/Off

- To start the vacuum cleaner, flip the “on/off” switch located on the side of the bag compartment to the “on” position as indicated on the switch.
- To stop the vacuum cleaner, flip the “on/off” switch to the “off” position as indicated on the switch.
- Turn the vacuum cleaner off before unplugging from the electrical outlet.



# OPERATION

## Vacuumping Under Furniture

Your Riccar Vibrance will lie flat on the floor for effective cleaning under beds and tables (Fig. 1).

- Press the foot pedal release once for normal vacuum cleaning (Fig. 2).
- Press the foot pedal release a second time to enable the vacuum to lay flat on the floor (Fig. 3).

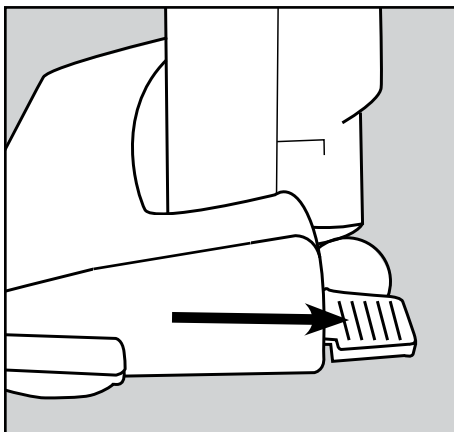


Fig. 1

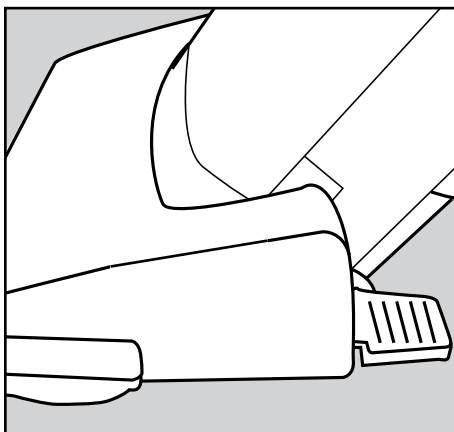


Fig. 2

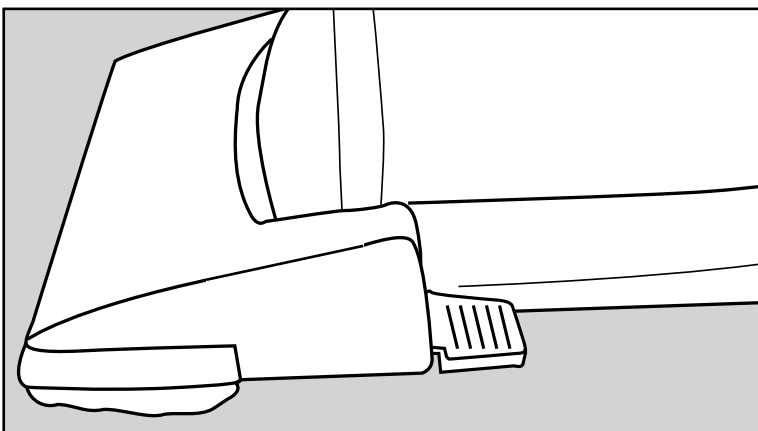
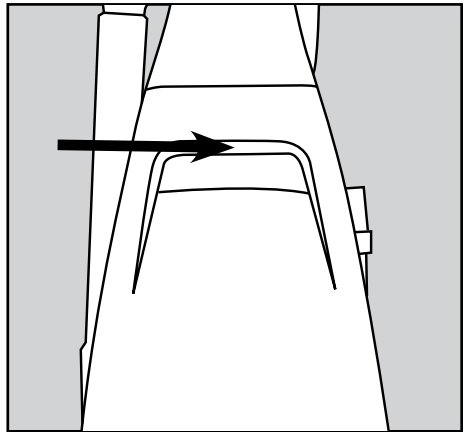


Fig. 3

## Carrying the Vacuum

To safely transport your vacuum, especially when carrying the vacuum up and down stairs, use the carrying handle.



## Carpet Height Adjustment

Your Riccar upright vacuum cleaner is designed with an automatic self-adjusting rug nozzle. No manual adjustments are required. The height of the rug nozzle is instantly and automatically adjusted to carpet pile height. This self-adjusting feature allows the rug nozzle to float evenly over all carpet pile surfaces.

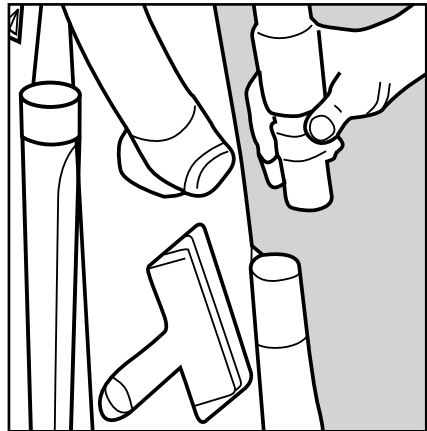
# ATTACHMENT CLEANING

---

## Wand Cleaning Model: R20E

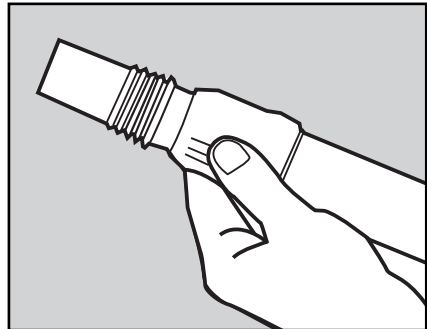
With the on-board cleaning tools and vacuum wand, your Riccar Vibrance becomes a comprehensive cleaning system. The model equipped with on-board tools includes an upholstery tool, dusting brush, crevice tool, extension wand and stretch hose.

- Remove the telescopic wand from the body of the vacuum. Unlock the wand collar (located on end of wand), extend the wand and re-lock the wand collar.



**NOTE:** The wand collar locking rotation is marked with arrows on the wand. The wand collar lock and unlock functions require only a 1/2 turn of the collar.

**NOTE:** You can connect any of the cleaning tools to the end of the extension wand(s) and twist for a secure fit. To remove the cleaning tool from the extension wand(s), simply twist and pull apart.



# ATTACHMENT CLEANING

## Ready Reach™ Cleaning tools Model: R20E

Your vacuum is equipped with a dusting brush, upholstery brush and crevice tool. Other tools are available at your Authorized Riccar Retailer.

- Remove the cleaning wand from the vacuum.
- Insert any of the tools onto the end of the wand.

### Dusting Brush:

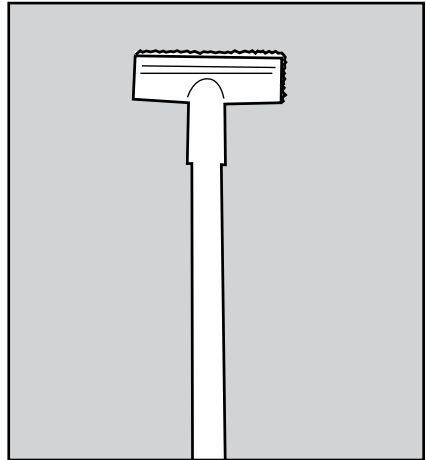
Ideal for table tops, shelves, blinds or hard surface floors.

### Upholstery Tool:

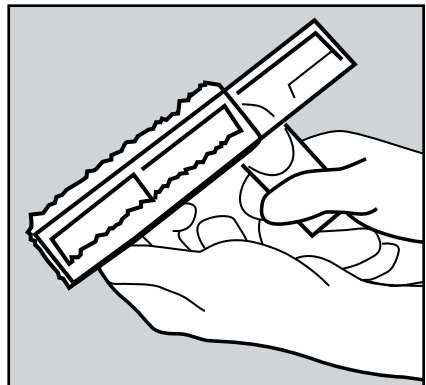
Ideal for soft surfaces like chairs and couches. Remove the dusting brush clip for upholstery cleaning.

### Crevice Tool:

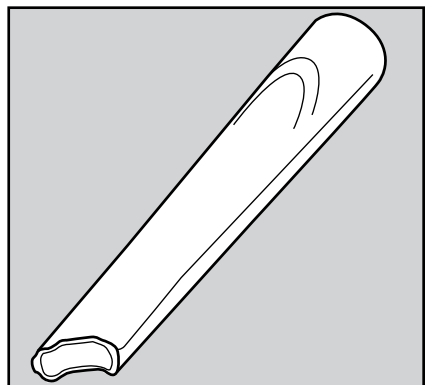
Ideal for tight places like between seat cushions or corners.



Wand with Dusting Brush



Dusting/Upholstery Tool



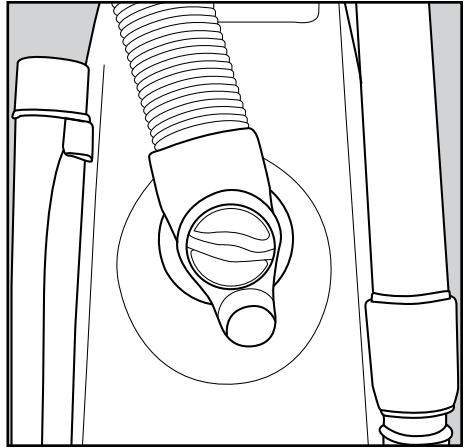
Crevice Tool

# ATTACHMENT CLEANING

---

## Adjusting the Suction Power for Tool Cleaning

On the back of the vacuum, locate the suction control dial and turn it to the desired position. This reduces the suction power coming through the hose. Close the suction control dial when finished to restore full suction power.

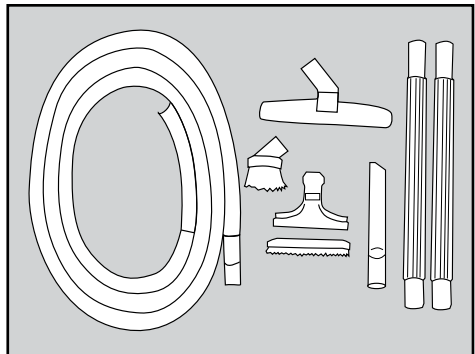


## Optional Cleaning Tools

All Riccar Vibrance vacuum cleaners offer an attachment port that enables you to insert optional cleaning tools (available through your Riccar Retailer). Should you have carpeted stairs, for example, it is highly recommended to use one of the two kits pictured, since each offers either a 12- or 15-foot hose for safe stair cleaning. These kits are effective overall cleaning tools to address some of the hard to reach areas of your home or car. Talk to your Riccar Retailer to see which tools might be beneficial for your home.

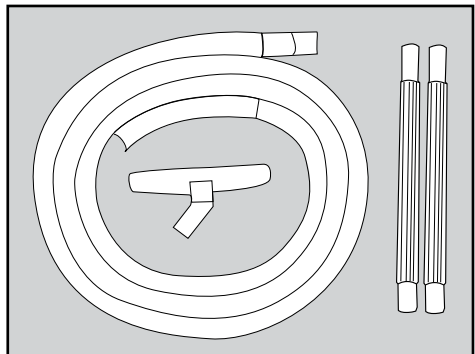
### Deluxe Attachment Set (RDK12)

1. 12-foot hose
2. Curved wand
3. Extension wand (2 pieces)
4. Dusting brush
5. Crevice tool
6. Upholstery tool
7. Upholstery brush insert
8. Deluxe floor brush



### Deluxe Attachment Set (RDK15)

1. 15-foot hose
2. Curved wand
3. Extension wand (2 pieces)
4. Deluxe floor brush



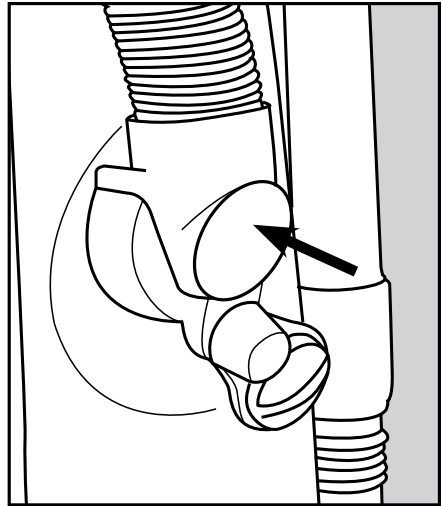
# ATTACHMENT CLEANING

---

## Connecting the Optional Attachment Hose to the Vacuum Cleaner

Pull out and open the suction control dial by turning the lid located on the back of the vacuum cleaner. Insert the soft, rubber end of the hose into the cleaning attachment opening. Push in while twisting the hose end to ensure the hose is fastened securely.

**NOTE:** You can connect any of the cleaning tools to the end of the extension wand(s) and twist for a secure fit. To remove the cleaning tool from the extension wand(s), simply twist and pull apart.



## WARNING

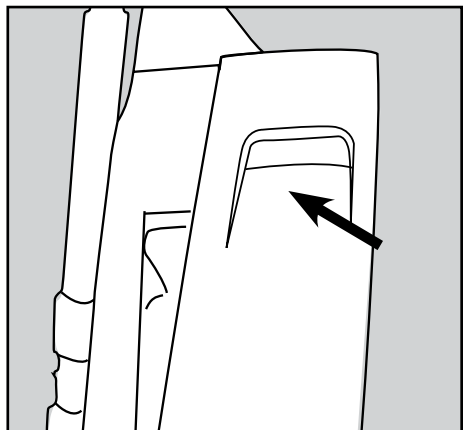
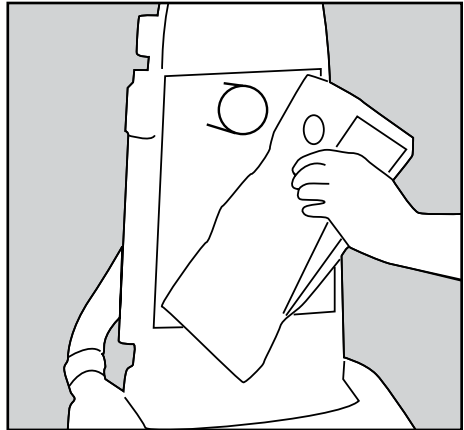
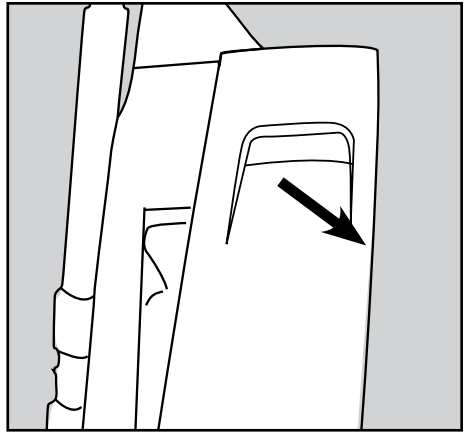
There is no way to turn the brushroll off. Therefore, when using the cleaning tools it is important to keep your Riccar vacuum from running in the same spot for a period of time, as carpet or flooring damage could result. If you need to keep the vacuum in the same spot for a period of time, such as at the base of the stairs when cleaning the stairs, place something, like a flattened cardboard box, under the vacuum to prevent damage to the floor.



## MAINTENANCE AND CARE

### Replacing the Vacuum Bag

- Open the bag compartment lid.
- Remove vacuum bag by pulling the bag collar off the bag holder.
- Attach the new vacuum bag onto the bag holder.
- Tuck the bag corners into the vacuum before replacing the bag compartment lid.
- Replace the lid and press onto the vacuum until it snaps into place.



# MAINTENANCE AND CARE

---

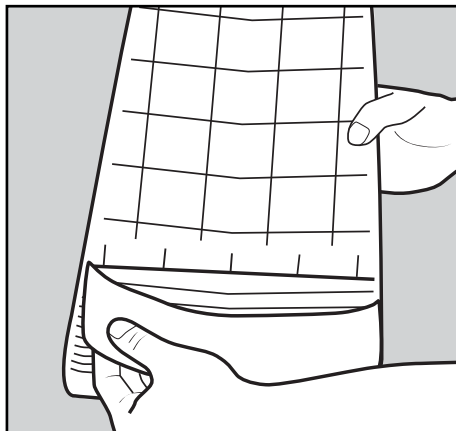
## When to Change the Filters

At minimum, it's recommended to replace the filters once a year or after using 12 vacuum bags, whichever comes first.

If someone in your household is highly sensitive to airborne allergens, it is recommended to change the filter set after every six vacuum bags.

## Replacing the Foam Post Filter

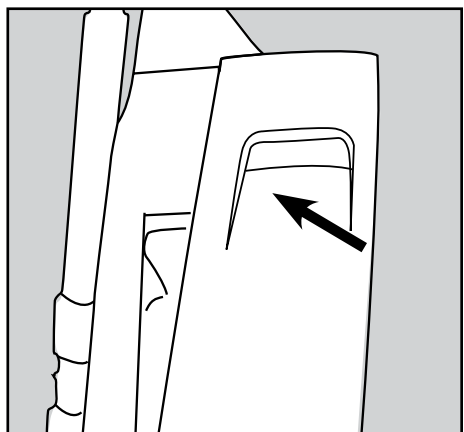
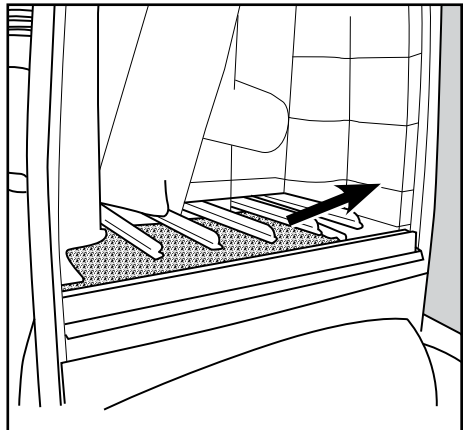
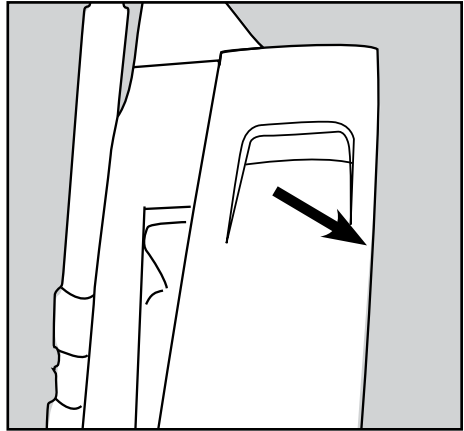
- Open the bag compartment lid and locate the filter on the inside of the lid.
- Remove the used filter from the lid.
- The foam filter can be washed and reused. If washed, make sure the filter is completely dry before reinstalling.
- When inserting the new filter, align the new filter over the Velcro strips on the inside of the dust compartment lid and press it securely into place.
- Close the bag compartment lid.



## Replacing the Foam Secondary Filter

The secondary filter protects the motor from dust and dirt. Before installing a new vacuum bag, check the filter. Accumulated dirt in the bag compartment will be collected on this filter and may restrict motor performance when the filter becomes dirty.

- Open the bag compartment lid and locate the secondary filter on the bottom of the bag compartment.
- Remove the secondary filter from the bottom of the bag compartment.
- The foam secondary filter can be washed and reused. If washed, make sure the filter is completely dry before reinstalling.
- Insert the washed or new filter by sliding it under the bag support.
- Close the bag compartment lid.



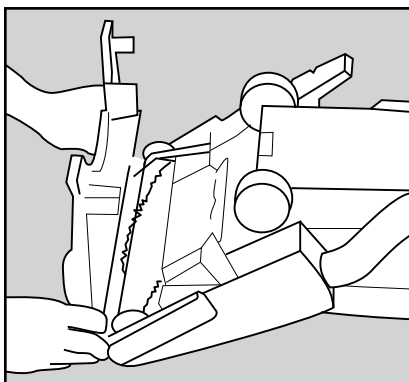
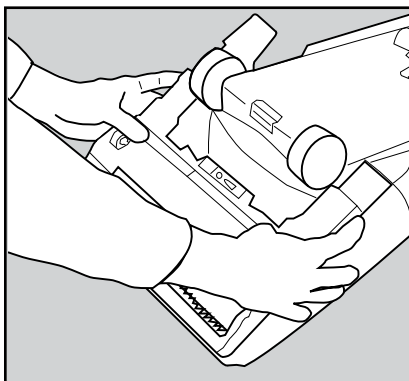
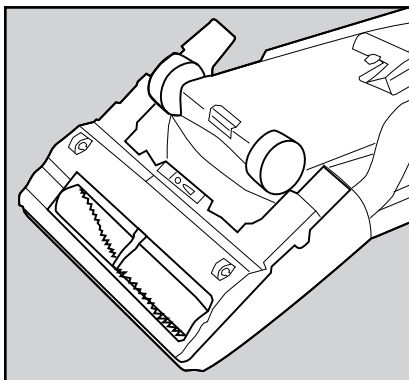
# MAINTENANCE AND CARE

---

## Removing and Reinstalling the Bottom Plate

**WARNING!** To Reduce the Risk of Electrical Shock or Injury From Moving Parts, Unplug Before Servicing or Cleaning.

- Press the handle release pedal twice and place the vacuum cleaner in the flat position.
- Turn the vacuum cleaner over, exposing the bottom plate.
- Slide the two locking latches toward the center.
- Press the tabs inward on each side and remove the bottom plate.
- Reinstall by placing the lower edge of the bottom plate along the lower edge of the nozzle. Snap the plate into place. Slide the locking latches to the outside edges.



## Replacing the Agitator Belt

**NOTE:** To ensure maximum cleaning efficiency, the condition of the belt should be checked regularly. If the belt is stretched, cracked or if excessive slipping is occurring, replace the belt.

- Unplug the vacuum cleaner from the electrical outlet.
- Turn the unit over and remove the bottom plate (See "Removing and Reinstalling the Bottom Plate") (Fig. 1).
- Remove the agitator and worn or broken belt.
- Loop the new belt around the motor drive shaft and the agitator pulley (Fig. 2).
- Reinstall the agitator by inserting the belt end of the agitator into the housing first, then press the other end of the agitator into the housing.
- Rotate the agitator, making sure that the belt is not twisted.
- Reinstall the bottom plate (See "Removing and Reinstalling the Bottom Plate").

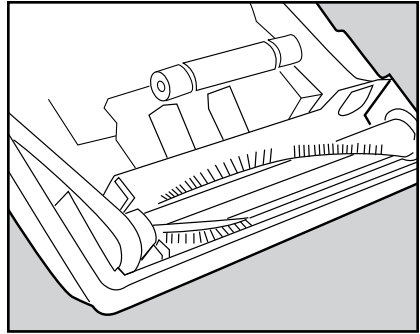


Fig. 1

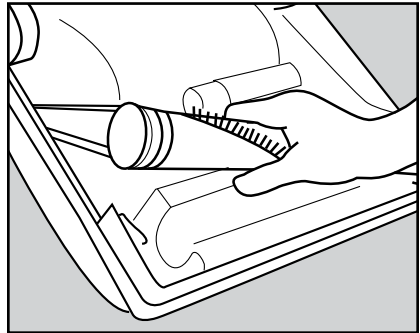


Fig. 2

# MAINTENANCE AND CARE

---

## Edge Cleaning

The edge cleaning feature provides for improved cleaning of carpets near walls and stationary furniture. For maximum edge cleaning, place the right side of the nozzle against the wall or furniture.

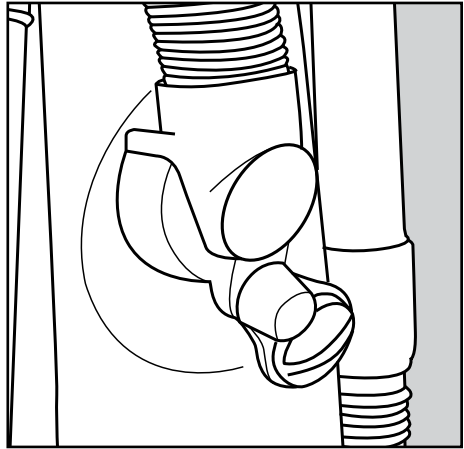
## Annual Checkup Reminder

To keep your vacuum in peak operating condition, it is recommended you bring your vacuum to an Authorized Riccar Retailer for an annual checkup. Your Retailer will conduct a comprehensive examination to ensure your vacuum is in top operating condition.

## Unclogging the Nozzle and Hose

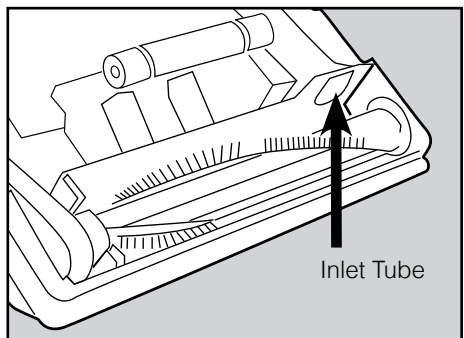
**WARNING!** To Reduce the Risk of Electrical Shock or Injury From Moving Parts, Unplug Before Servicing or Cleaning.

The hose located on the back of the vacuum carries the dirt from the nozzle to the vacuum bag. The hose also functions as the attachment cleaning hose. First check to see that a bag is properly installed.



## If the Hose Should Become Clogged

- Pull out and turn the lid of the cleaning attachment opening. Remove the clog or blockage.
- Remove the hose cuff from the nozzle inlet and check for a clog.
- Turn the unit over and remove the bottom plate (See “Removing and Reinstalling the Bottom Plate”). Check the nozzle inlet tube for obstructions. Clear tube and reinstall the bottom plate.



# PROBLEM SOLVING GUIDE

---

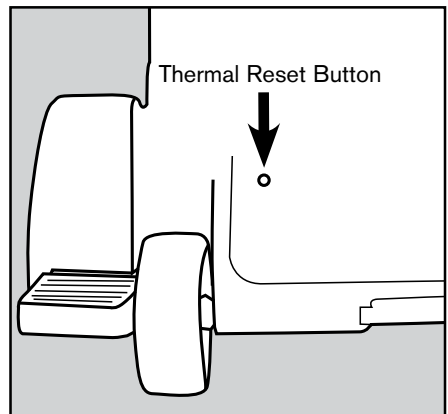
## Thermal motor protection

Your Vibrance is equipped with a safeguard to recognize when the vacuum heats up and shuts itself down to protect your vacuum cleaner. Common reasons why a vacuum may overheat include operating a vacuum with a full bag or when there is a clog in the vacuum.

- Unplug the vacuum.
- Inspect your vacuum for a full bag condition or a hose clog and correct the problem.
- Locate the Thermal Motor Reset button on the back of the vacuum. Press button and resume vacuuming.

If problem continues, contact an Authorized Riccar Retailer.

<b>Thermal Reset</b>	
1. Unplug machine	3. Correct problem
2. Locate problem source (clogged hose or full bag)	4. Press reset button
	<i>If problem persists, consult owner's manual or contact retailer.</i>





# PROBLEM SOLVING GUIDE

## Troubleshooting

**WARNING!** To Reduce the Risk of Electrical Shock or Injury From Moving Parts, Unplug Before Servicing or Cleaning.

**CAUTION!** To reduce the risk of electric shock, do not handle plug or appliance with wet hands.

PROBLEM	POSSIBLE REASON	POSSIBLE SOLUTION
Vacuum won't turn on	<ul style="list-style-type: none"><li>• Power cord not firmly plugged in</li><li>• Blown fuse or tripped breaker</li><li>• Needs service</li></ul>	<ul style="list-style-type: none"><li>• Plug unit in firmly</li><li>• Check house fuse or breaker. Replace fuse / reset breaker.</li><li>• Take to Authorized Retailer (888-6-RICCAR)</li></ul>
Vacuum won't pick up or low suction	<ul style="list-style-type: none"><li>• Vacuum bag full</li><li>• Clogged filter</li><li>• Hose clogged</li><li>• Broken belt</li></ul>	<ul style="list-style-type: none"><li>• Install new bag</li><li>• Install new filter</li><li>• Remove obstacle</li><li>• Replace belt</li></ul>
Dust escaping from vacuum	<ul style="list-style-type: none"><li>• Dust cover not installed properly</li><li>• Filter not installed correctly</li><li>• Vacuum bag not installed correctly</li></ul>	<ul style="list-style-type: none"><li>• Reinstall the dust cover</li><li>• Review filter installation (page 16-17)</li><li>• Review bag installation (page 15)</li></ul>

Any other service should be performed by an Authorized Riccar Retailer.  
To locate your nearest Authorized Riccar Retailer visit our website  
at [www.Riccar.com](http://www.Riccar.com) or call **888-6-RICCAR**.

## Key Replacement Parts

- Genuine HEPA Media Vacuum Bags: **RAH-6**
- Genuine Paper Vacuum Bags: **C13-6 and C13-12**
- Genuine Vacuum Belts: **A20-R2P**
- Genuine Filters: **RVF-2**

## For Best Performance

- Keep your vacuum clean and in good operating condition.
- Change vacuum bags once a month or when the bag is 2/3 full to maximize cleaning performance.
- Always use genuine Riccar vacuum bags and replacement parts. Use of other products may result in poor cleaning performance, potential vacuum cleaner damage and may void vacuum warranty. Genuine products are designed for maximum cleaning performance.
- Have your vacuum checked annually by your Authorized Riccar Retailer.
- Store your vacuum carefully in a dry area.
- For optimum cleaning performance and safety, follow your owner's manual instructions.

# WARRANTY

---

## **What is Covered:**

This warranty covers any defects in material and workmanship in your new Riccar Vibrance vacuum.

## **How Long Coverage Lasts:**

Warranty coverage for Riccar Vibrance models R20E and R20ENT lasts three years. Household models used commercially are only warranted for 90 days.

## **What is Not Covered:**

- Damage to the vacuum which occurs from neglect, abuse, alterations, accident, misuse or improper maintenance.
- Normal replacement items: belts, disposable bags and disposable filters.

## **What Riccar Vacuums Will Do:**

This warranty provides, at no cost to you, all labor and parts to keep this vacuum in correct operating condition during the warranted period.

## **How to Get Service:**

Warranty service can only be obtained by presenting the vacuum to an Authorized Riccar Retailer. A proof-of-purchase and product serial number will be required before service is rendered. **To locate your nearest Riccar Retailer, please call 888-6-RICCAR or visit the Riccar website at [www.Riccar.com](http://www.Riccar.com).**

THIS WARRANTY IS EXCLUSIVE AND IN LIEU OF ANY AND ALL OTHER WARRANTIES WHETHER WRITTEN, ORAL, EXPRESSED OR IMPLIED, (INCLUDING ANY WARRANTY OF MERCHANTABILITY OR FITNESS FOR A PARTICULAR PURPOSE). THIS WARRANTY DISCLAIMS LIABILITY FOR INCIDENTAL OR CONSEQUENTIAL DAMAGES.

## **How State Law Applies:**

This warranty gives you specific legal rights, and you may also have other rights which vary from state to state.

Register your warranty online at **[www.Riccar.com](http://www.Riccar.com)**

# OWNER'S WARRANTY INFORMATION

---

*keep this for your records...*

Date of purchase \_\_\_\_\_

Serial number \_\_\_\_\_

Model number \_\_\_\_\_

**Purchased from:**

Store name \_\_\_\_\_

Address \_\_\_\_\_

City, State, Zip \_\_\_\_\_

Telephone \_\_\_\_\_

RICCAR®

RICCAR®  
[www.Riccar.com](http://www.Riccar.com)

## Free Manuals Download Website

<http://myh66.com>

<http://usermanuals.us>

<http://www.somanuals.com>

<http://www.4manuals.cc>

<http://www.manual-lib.com>

<http://www.404manual.com>

<http://www.luxmanual.com>

<http://aubethermostatmanual.com>

Golf course search by state

<http://golfingnear.com>

Email search by domain

<http://emailbydomain.com>

Auto manuals search

<http://auto.somanuals.com>

TV manuals search

<http://tv.somanuals.com>