

Vantage[®] TF

The Twin Fire Unitary Infrared Heater Submittal: TF-Series

Job: _____
 Location: _____
 Engineer: _____
 Gas Specs: _____
 Date: _____

QTY.	_____	MODEL NO. TF	_____	UNIT INPUT	_____	BTU/HR
QTY.	_____	MODEL NO. TF	_____	UNIT INPUT	_____	BTU/HR
QTY.	_____	MODEL NO. TF	_____	UNIT INPUT	_____	BTU/HR
QTY.	_____	MODEL NO. TF	_____	UNIT INPUT	_____	BTU/HR
TOTAL INPUT				_____	BTU/HR	_____

Important

Before installation and operation of heating equipment, read and understand the Installation, Operation and Service Manual.

Applications, engineering and detailed guidance on systems design, installation and product performance is available upon request. ROBERTS GORDON[®] products are to be installed only in accordance with local laws, codes and regulations, and only by a contractor qualified in the installation and service of gas-fired heating equipment.



Roberts-Gordon
 1250 William Street
 P.O. Box 44
 Buffalo, New York 14240-0044
 Telephone: 716.852.4400
 Fax: 716.852.0854
 Toll Free: 800.828.7450

Roberts-Gordon Canada Inc.
 241 South Service Road West
 Grimsby, Ontario L3M 1Y7
 Canada
 Telephone: 905.945.5403
 Fax: 905.945.0511

www.rg-inc.com

Quality in Any Language™

TABLE OF CONTENTS

STANDARD PARTS LIST	1	ELBOW PACKAGE CONFIGURATION	20
Contents of TF-Series Burner Carton	1	Elbow Installation	20
Contents of Core and Extension Packages	1	Elbow Installation (continued)	20
GENERAL SPECIFICATIONS	2	Reflector Joint Installation	20
Material Specification	2	Reflector Joint Detail	21
Reflectors	2	REFLECTOR SIDE EXTENSION	22
Heater Specifications	2	Bracket Installation	22
Ignition	2	Side Reflector Installation	22
Suspension Specifications	2	LOWER CLEARANCE SHIELD INSTALLATION	23
Controls Specifications	2	Shield Support Strap Assembly	23
Gas Pressure at Manifold:	2	TWO-FOOT DECORATIVE GRILLE INSTALLATION ..	23
Dimensions:	2	Grille Installation	23
Pipe Connection:	2	Frame Shield Installation	24
Gas Inlet Pressure:.....	2	Reflector Side Extension Installation	24
Electrical Rating (all Models):	2	ONE-FOOT DECORATIVE GRILLE INSTALLATION ..	25
Standard Reflector.....	3	One-Foot Decorative Grille Bracket	25
One Side Reflector	3	Decorative Grille	25
Two Side Reflectors	3	Joint Piece and Reinforcement.....	25
45° Tilt Reflector	4	End Piece and Reflector End Cap	26
U-Tube, Standard Reflector.....	4	90° Elbow.....	26
U-Tube, Full 45°	4	PROTECTIVE GRILLE INSTALLATION	27
U-Tube, Opposite 45° Reflector	5	Silicone Cap Installation.....	27
2-Foot Deco Grille, 1-Foot Deco Grille and		Grille End Cap Installation	27
Protective Grille	5	Grille Installation	27
Lower Clearance Shield*	5	VENTING	28
Venting	6	Horizontal Ventilation 4" (10 cm) Pipe	28
TF-SERIES ASSEMBLY OVERVIEW	7	Vertical Ventilation 4" (10 cm) Pipe.....	28
Major Component Descriptions	7	CFlexible Boot Installation (Single Vent).....	29
TF-Series Linear Assembly Overview	8	Common Sidewall Venting.....	29
HEATER INSTALLATION	9	Vertical Ventilation 6" (15 cm) Pipe	30
Critical Hanger Placement	9	Flexible Boot Installation (Common Vent).....	30
TF-Series Linear Layout Overview	10	OUTSIDE COMBUSTION AIR SUPPLY	31
TF-Series Linear Layout Overview		Vertical Outside Air Supply	31
(Continued).....	11	Horizontal Outside Air Supply	31
BBurner Tube Installation	12	GAS PIPING	32
Burner Installation.....	12	WIRING	33
Tube Clamp Package Installation.....	13	Line Voltage Thermostat Wiring.....	33
Coupling and Tube Assembly	13	Low Voltage Thermostat and Relay Wiring.....	34
Coupling and Tube Assembly (Continued).....	14	Electrical Connection to the Burner	36
Turbulator Installation	15	INTERNAL BURNER DIAGRAM	37
Reflector Installation	15	THE ROBERTS GORDON® VANTAGE® TF LIMITED	
Reflector, U-Clip and Reflector Support		WARRANTY	38
Installation	16		
OPTIONAL HEATER ACCESSORIES	17		
TF-Series U-Tube Assembly Overview	17		
TF-Series U-Tube Layout Overviews	18		
TF-Series U-Tube Layout Overviews			
(Continued).....	19		

© 2004 **ROBERTS GORDON**

All rights reserved. No part of this work covered by the copyrights herein may be reproduced or copied in any form or by any means - graphic, electronic, or mechanical, including photocopying, recording, taping or information storage and retrieval systems - without the written permission of Roberts-Gordon.

STANDARD PARTS LIST

Contents of TF-Series Burner Carton

Part No.	Description	TF-120	TF-160	TF-200	TF-250	TF-300	TF-350	TF-380
090XXXX	TF Burner Assembly (Rate and Fuel Varies)	1	1	1	1	1	1	1
02568200	Gasket	1	1	1	1	1	1	1
190100NA	Installation, Operation and Service Manual	1	1	1	1	1	1	1
94273914	Hex Head Bolts 5/16-18 Rolok	8	8	8	8	8	8	8
96411600	Split Lock washer	8	8	8	8	8	8	8
91412203	Flexible Gas Connector Assembly - 3/4" NPT	1	1	1	1	1	1	1
03051503	Turbulator Adapter	2	2	2	-	-	-	-
03051504	Turbulator 2.5' (76 cm) Aluminized Steel	8	8	4	-	-	-	-
91412800	Flexible Boot	2	2	2	2	2	2	2
91901300	Boot Clamp	4	4	4	4	4	4	4
09080000	Vent Sleeve	2	2	2	2	2	2	2

Contents of Core and Extension Packages

Part No.	Description	Core Packages			Extension Packages																	
		Hot Rolled with Aluminum Reflector	Aluminized with Aluminum Reflector	Aluminized with Stainless Steel Reflector	Hot Rolled with Aluminum Reflector	Aluminized with Aluminum Reflector	Aluminized with Stainless Steel Reflector															
		20' 30' 40' (6m) (9m) (12m)	20' 30' 40' (6m) (9m) (12m)	20' 30' 40' (6m) (9m) (12m)	10' 20' 30' 40' (3m) (6m) (9m) (12m)	10' 20' 30' 40' (3m) (6m) (9m) (12m)	10' 20' 30' 40' (3m) (6m) (9m) (12m)															
91409300	Tube, Hot Rolled Steel, 10' (3m)	1 2 3	- - -	- - -	1 2 3 4	- - - -	- - - -															
91409408	Tube, HT Aluminized, 10' (3m)	- - -	1 2 3	1 2 3	- - - -	1 2 3 4	1 2 3 4															
03051101	Burner Tube, ALUMI-THERM® Steel, 10' (3m)	1 1 1	1 1 1	1 1 1	- - - -	- - - -	- - - -															
01312700	Coupling Assembly	1 2 3	1 2 3	1 2 3	1 2 3 4	1 2 3 4	1 2 3 4															
02750303	Standard Reflector, 8' (3.5m)	3 4 6	3 4 6	- - -	2 3 4 6	2 3 4 6	- - - -															
02750800	End Cap	2 2 2	2 2 2	- - -	- - - -	- - - -	- - - -															
027503SS	Stainless Steel Reflector, 8' (3.5m)	- - -	- - -	3 4 6	- - - -	- - - -	2 3 4 6															
027508SS	Stainless Steel End Cap	- - -	- - -	2 2 2	- - - -	- - - -	- - - -															
03090100	Tube and Reflector Hanger	3 4 5	3 4 5	3 4 5	1 2 3 4	1 2 3 4	1 2 3 4															
91907302	S-Hook	6 8 10	6 8 10	6 8 10	2 4 6 8	2 4 6 8	2 4 6 8															
03050010	Reflector Support Package (Strap, Wire Form, Screws)	2 3 5	2 3 5	4 5 7	2 3 4 6	2 3 4 6	2 3 4 6															
91107720	U-Clip Package	1 1 1	1 1 1	1 1 1	1 1 1 1	1 1 1 1	1 1 1 1															
90502700	Vent Adapter (Not required for TF Models)	1 1 1	1 1 1	1 1 1	- - - -	- - - -	- - - -															
01318901	Tube Clamp Package	1 1 1	1 1 1	2 2 2	- - - -	- - - -	- - - -															
Part Number		CP20HRS	CP30HRS	CP40HRS	CP20ALUM	CP30ALUM	CP40ALUM	CP20ALUMSS	CP30ALUMSS	CP40ALUMSS	EXP10HRS	EXP20HRS	EXP30HRS	EXP40HRS	EXP10ALUM	EXP20ALUM	EXP30ALUM	EXP40ALUM	EXP10ALUMSS	EXP20ALUMSS	EXP30ALUMSS	EXP40ALUMSS

GENERAL SPECIFICATIONS

Material Specification

Reflectors

.024 Aluminum

Heater Specifications

Ignition

Automatic direct spark ignition with safety shut-off.

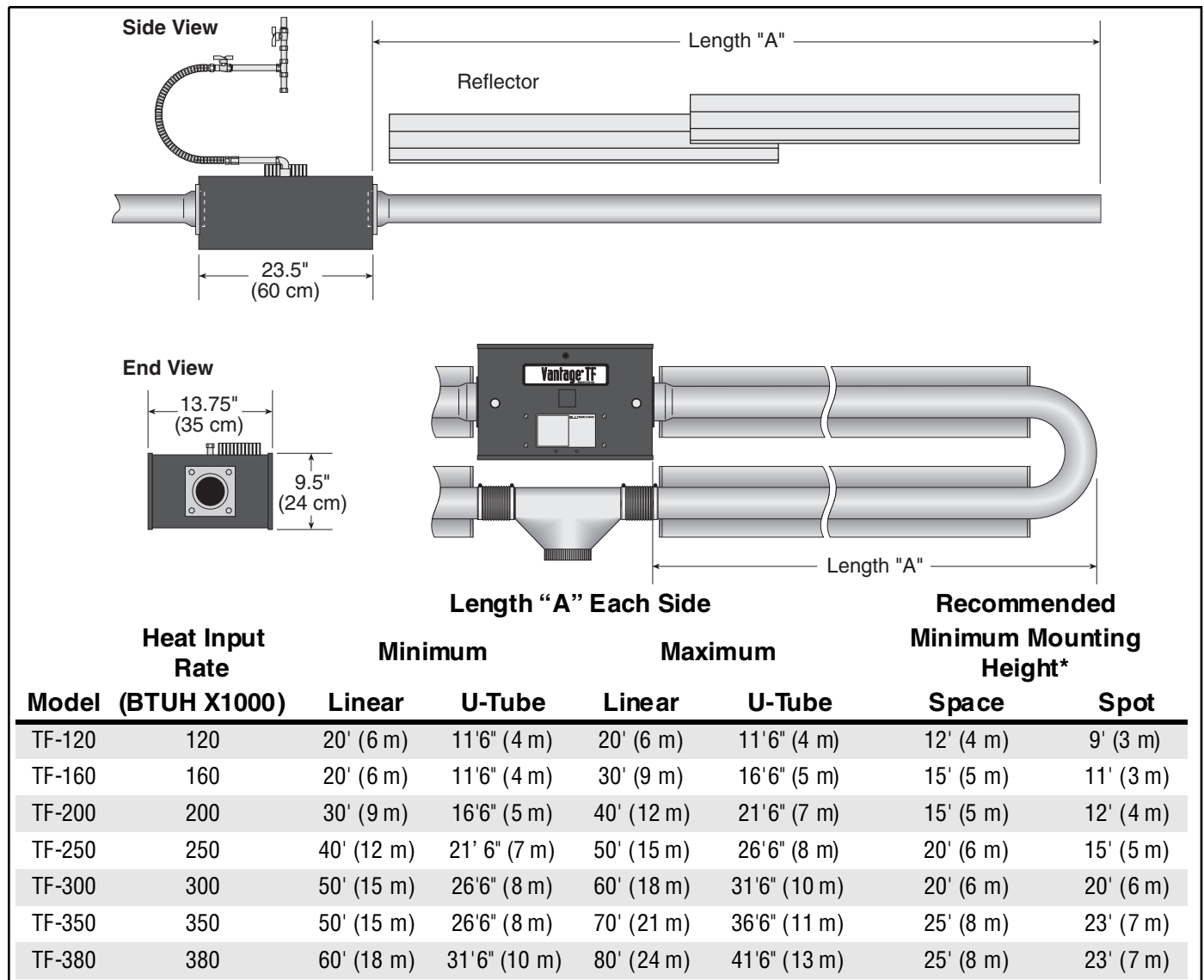
Suspension Specifications

Hang heater with materials with a minimum working load of 75 lbs (33 kg).

Controls Specifications

Time switches, thermostats, etc. can be wired into the electrical supply. External controls supplied as an optional extra.

General Specifications for TF-Series heaters are as follows:



Gas Pressure at Manifold:

Natural Gas: 3.5" w.c.

LP Gas: 10.5" w.c.

Dimensions:

Vent Connection Size:

4" (10 cm) or 6" (15 cm)

Outside Air Connection Size:

4" (10 cm) or 6" (15 cm)

Refer to figure above for dimensional information.

Pipe Connection:

3/4" NPT

Gas Inlet Pressure:

Natural Gas: 5.0" w.c. Minimum

16.0" w.c. Maximum

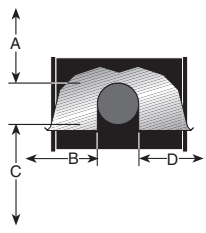
LP Gas: 12.0" w.c. Minimum

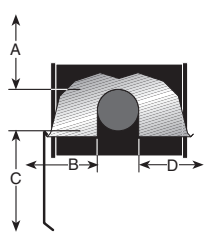
16.0" w.c. Maximum

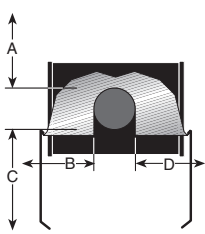
Electrical Rating (all Models):

120V - 60 Hz., 1.0 Amp

NOTE: 1. All dimensions are from the surfaces of all tubes, couplings and elbows.
 2. Clearances B, C and D can be reduced by 50% after 25' (7.5 m) of tubing downstream from where the burner and burner tube connect.

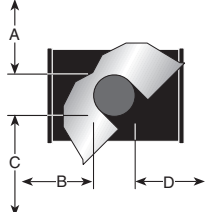
Standard Reflector		(inches)				(centimeters)			
	Model	A	B	C	D	A	B	C	D
	TF-120	6	35	63	35	16	89	161	89
	TF-160	6	38	66	38	16	97	168	97
	TF-200	6	40	71	40	16	102	181	102
	TF-250	6	46	77	46	16	117	196	117
	TF-300	6	50	80	50	16	127	204	127
	TF-350	8	52	82	52	21	133	209	133
	TF-380	8	52	82	52	21	133	209	133

One Side Reflector		(inches)				(centimeters)			
	Model	A	B	C	D	A	B	C	D
	TF-120	6	9	63	47	16	23	161	120
	TF-160	6	9	70	54	16	23	178	138
	TF-200	6	9	77	59	16	23	196	150
	TF-250	6	9	83	65	16	23	211	166
	TF-300	6	9	86	69	16	23	219	176
	TF-350	8	9	88	73	21	23	224	186
	TF-380	8	9	88	73	21	23	224	186

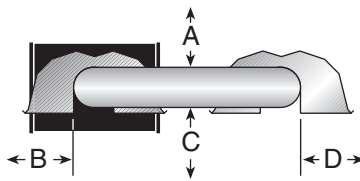
Two Side Reflectors		(inches)				(centimeters)			
	Model	A	B	C	D	A	B	C	D
	TF-120	6	23	66	23	16	59	168	59
	TF-160	6	25	72	25	16	64	183	64
	TF-200	6	27	78	27	16	69	199	69
	TF-250	6	32	84	32	16	82	214	82
	TF-300	6	35	88	35	16	89	224	89
	TF-350	8	40	91	40	21	102	232	102
	TF-380	8	40	91	40	21	102	232	102

NOTE: 1. All dimensions are from the surfaces of all tubes, couplings and elbows.
 2. Clearances B, C and D can be reduced by 50% after 25' (7.5 m) of tubing downstream from where the burner and burner tube connect.

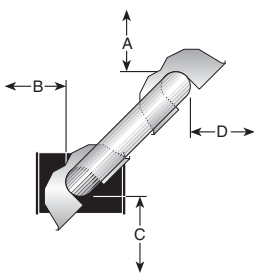
45° Tilt Reflector

	Model	(inches)				(centimeters)			
		A	B	C	D	A	B	C	D
	TF-120	8	8	60	54	21	21	153	138
	TF-160	8	8	66	60	21	21	168	153
	TF-200	10	8	74	64	26	21	188	163
	TF-250	10	8	78	69	26	21	199	176
	TF-300	12	8	84	74	31	21	214	188
	TF-350	12	8	85	79	31	21	216	201
	TF-380	12	8	85	79	31	21	216	201

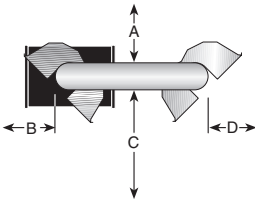
U-Tube, Standard Reflector

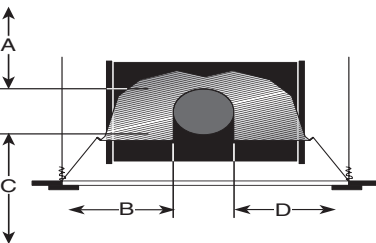
	Model	(inches)				(centimeters)			
		A	B	C	D	A	B	C	D
	TF-120	6	35	63	30	16	89	161	77
	TF-160	6	38	69	37	16	97	176	94
	TF-200	6	40	76	39	16	102	194	100
	TF-250	6	46	79	43	16	117	201	110
	TF-300	6	50	84	47	16	127	214	120
	TF-350	8	54	87	51	21	138	221	130
	TF-380	8	54	87	51	21	138	221	130

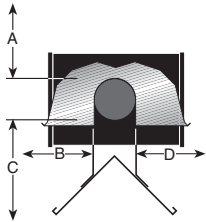
U-Tube, Full 45°

	Model	(inches)				(centimeters)			
		A	B	C	D	A	B	C	D
	TF-120	8	8	60	42	21	21	153	107
	TF-160	8	8	66	46	21	21	168	117
	TF-200	8	8	74	52	21	21	188	133
	TF-250	8	8	78	61	21	21	199	155
	TF-300	8	8	84	66	21	21	214	168
	TF-350	8	8	85	70	21	21	216	178
	TF-380	8	8	85	70	21	21	216	178

NOTE: 1. All dimensions are from the surfaces of all tubes, couplings and elbows.
 2. Clearances B, C and D can be reduced by 50% after 25' (7.5 m) of tubing downstream from where the burner and burner tube connect.

U-Tube, Opposite 45° Reflector									
	Model	(inches)				(centimeters)			
		A	B	C	D	A	B	C	D
	TF-120	8	54	60	22	21	138	153	56
	TF-160	8	60	66	22	21	153	168	56
	TF-200	10	64	74	22	26	163	188	56
	TF-250	10	70	78	22	26	178	199	56
	TF-300	12	74	84	22	31	188	214	56
	TF-350	12	76	85	22	31	194	216	56
	TF-380	12	76	85	22	31	194	216	56

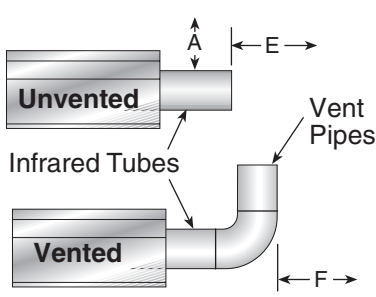
2-Foot Deco Grille, 1-Foot Deco Grille and Protective Grille									
	Model	(inches)				(centimeters)			
		A	B	C	D	A	B	C	D
	TF-120	6	35	63	35	16	89	161	89
	TF-160	6	38	66	38	16	97	168	97
	TF-200	6	40	71	40	16	102	181	102
	TF-250	6	46	77	46	16	117	196	117
	TF-300	6	50	80	50	16	127	204	127
	TF-350	8	52	82	52	21	133	209	133
	TF-380	8	52	82	52	21	133	209	133

Lower Clearance Shield*									
	Model	(inches)				(centimeters)			
		A	B	C	D	A	B	C	D
	TF-120	6	39	33	39	16	100	84	100
	TF-160	6	40	38	40	16	102	97	102
	TF-200	6	50	44	50	16	127	112	127
	TF-250	6	54	48	54	16	138	122	138
	TF-300	6	55	50	55	16	140	127	140
	TF-350**	Unapproved				Unapproved			
	TF-380**	Unapproved				Unapproved			

*When installed in the first 20' (6 m) on each side of the burner.

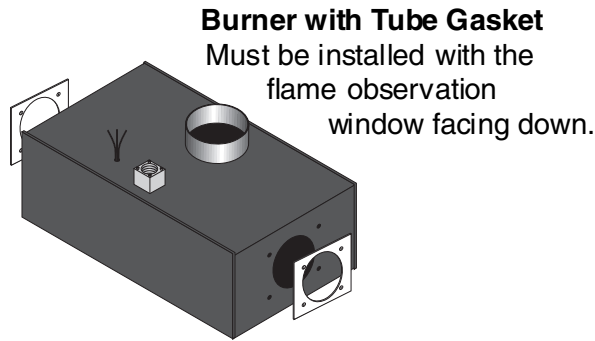
**Roberts-Gordon prohibits the installation of this heater for all unapproved applications.

NOTE: 1. All dimensions are from the surfaces of all tubes, couplings and elbows.
 2. Clearances B, C and D can be reduced by 50% after 25' (7.5 m) of tubing downstream from where the burner and burner tube connect.

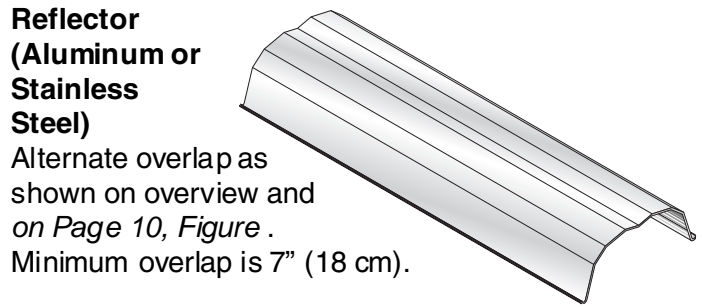
Venting		(inches)			(centimeters)		
	Model	A	E	F	A	E	F
	Unvented	TF-120	14	18	18	36	46
Vented	TF-160	20	24	18	51	61	46
	TF-200	20	24	18	51	61	46
	TF-250	20	24	18	51	61	46
	TF-300	20	30	18	51	77	46
	TF-350	20	30	18	51	77	46
	TF-380	20	30	18	51	77	46

TF-SERIES ASSEMBLY OVERVIEW

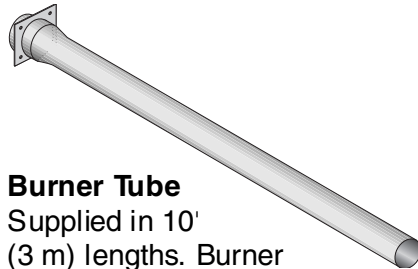
Major Component Descriptions



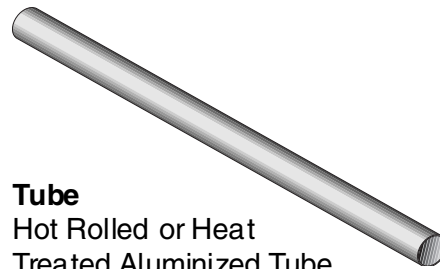
Burner with Tube Gasket
Must be installed with the flame observation window facing down.



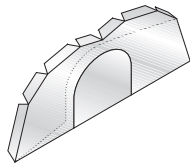
Reflector (Aluminum or Stainless Steel)
Alternate overlap as shown on overview and on Page 10, Figure . Minimum overlap is 7" (18 cm).



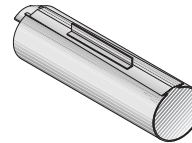
Burner Tube
Supplied in 10' (3 m) lengths. Burner tube is always the first tube after the burner.



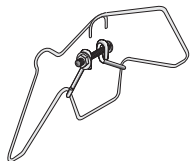
Tube
Hot Rolled or Heat Treated Aluminized Tube
Supplied in 10' (3 m) lengths.



Reflector End Cap
Punch out center section to accommodate heat exchanger tube.



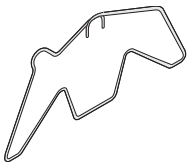
Coupling Assembly with Lock



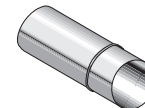
Tube and Reflector Hanger with Clamp Package
Position this hanger no more than 4" (10 cm) away from the burner.



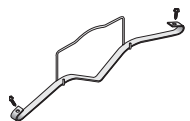
Flexible Boot
Flexible boot is used to connect the last tube to the vent.



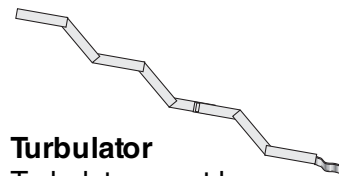
Tube and Reflector Hanger
Suspend system from these hangers.



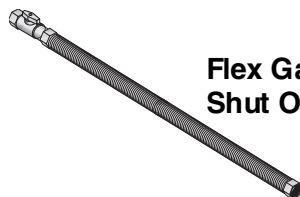
Vent Sleeve
Vent Sleeve installed inside flexible boot.



Reflector Support Strap & Wire Form

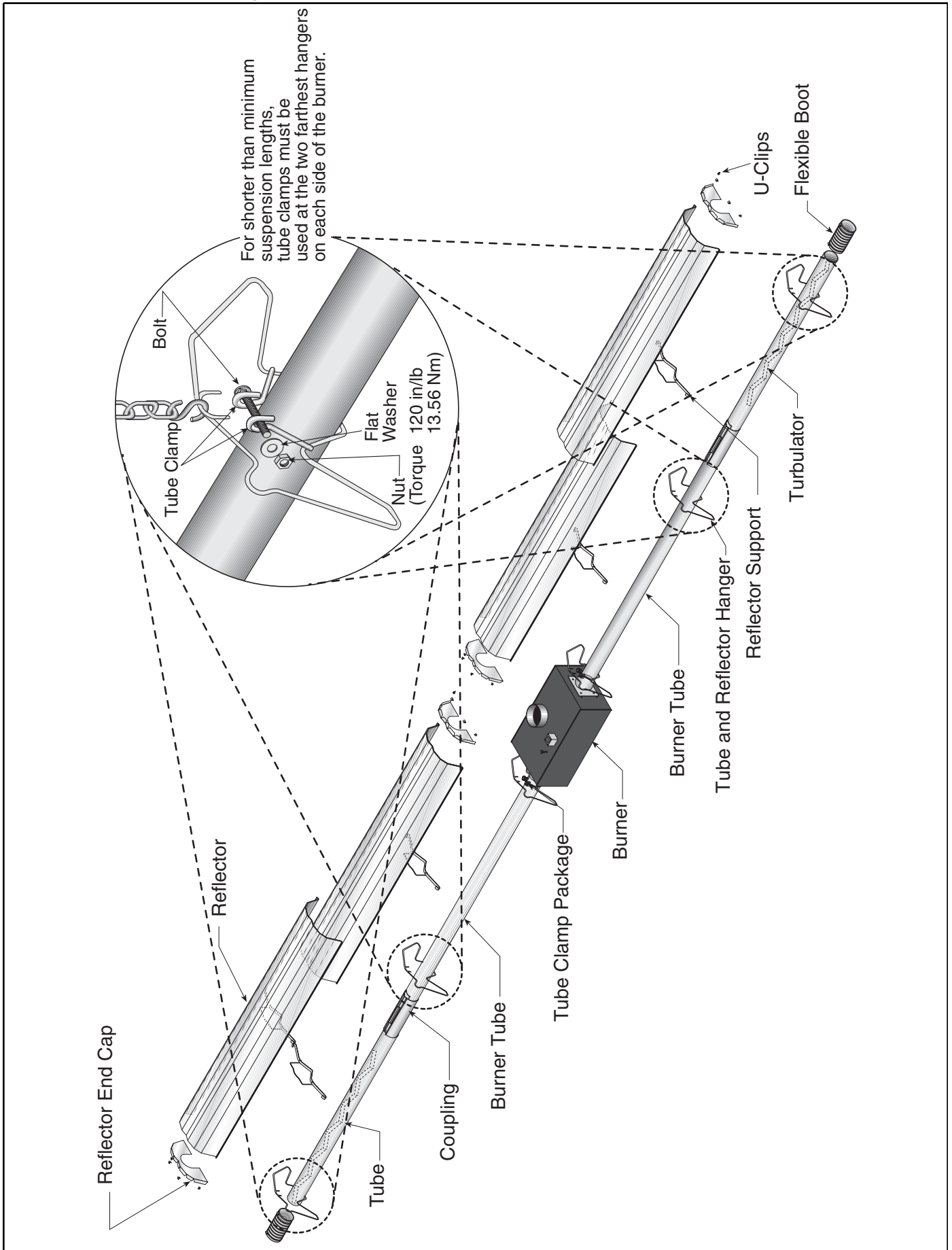


Turbulator
Turbulator must be installed in the last standard section of tube. Turbulator is not required on the TF-250/300/350/380. For installation see Page 15, Section .



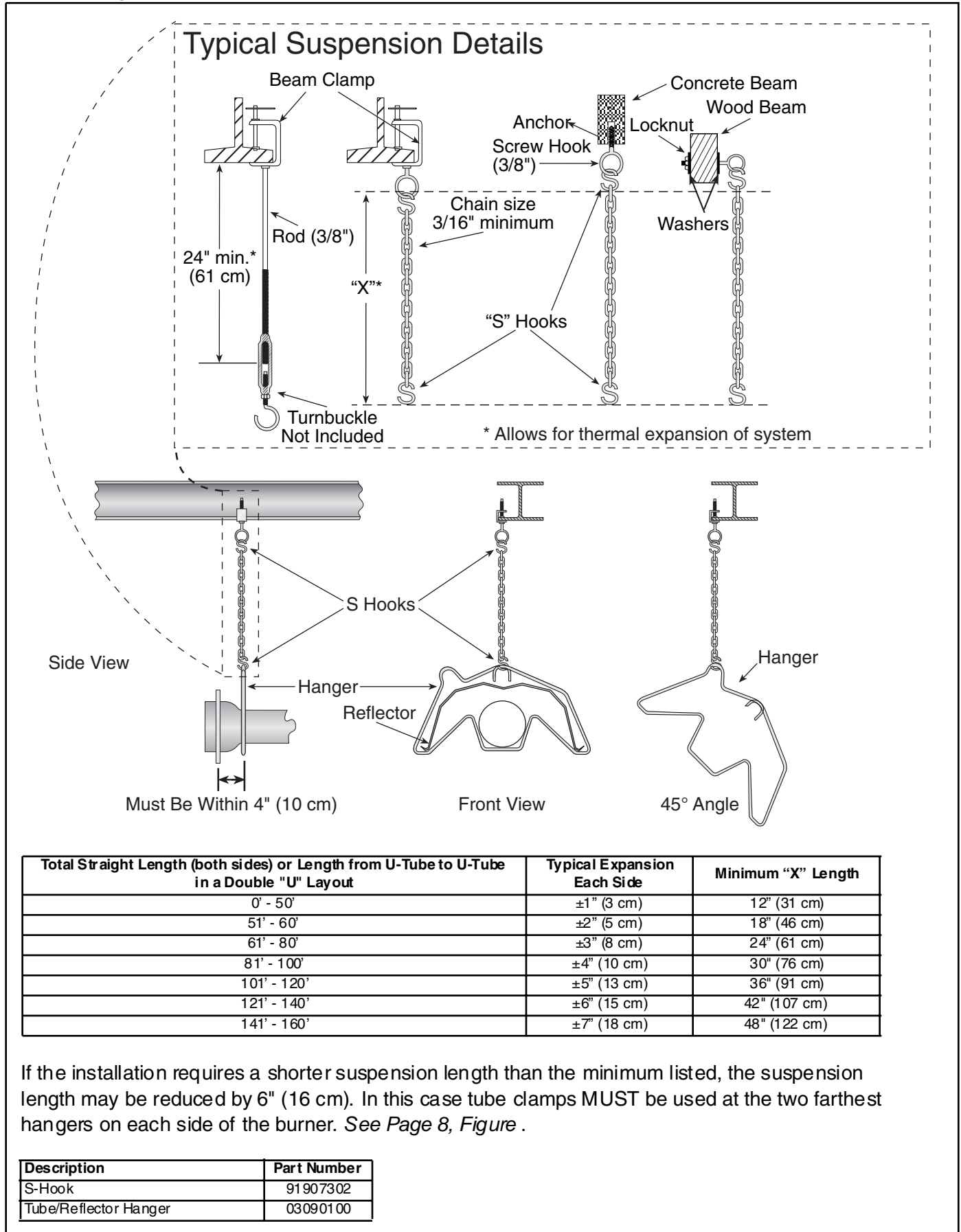
Flex Gas Line with Shut Off Cock

TF-Series Linear Assembly Overview








HEATER INSTALLATION

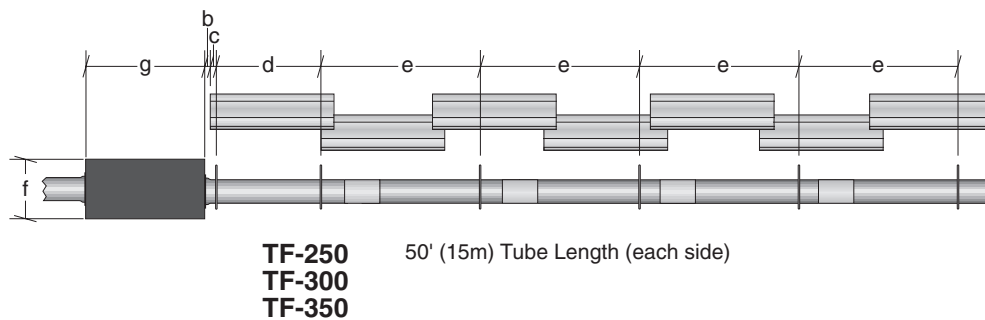
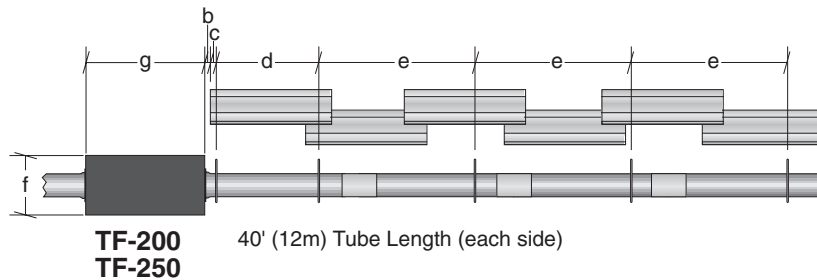
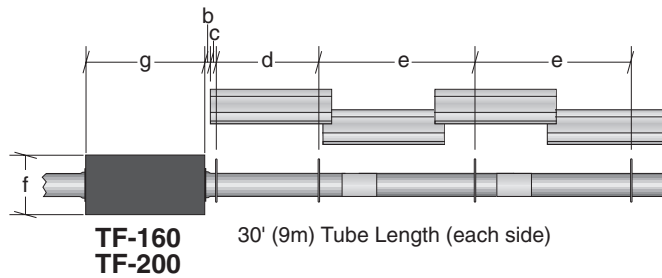
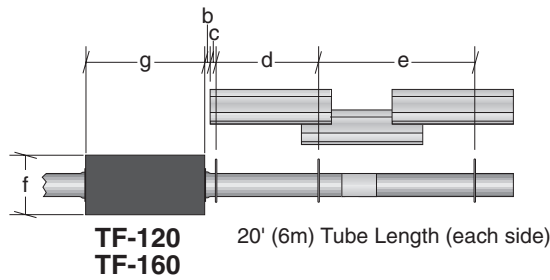
Critical Hanger Placement



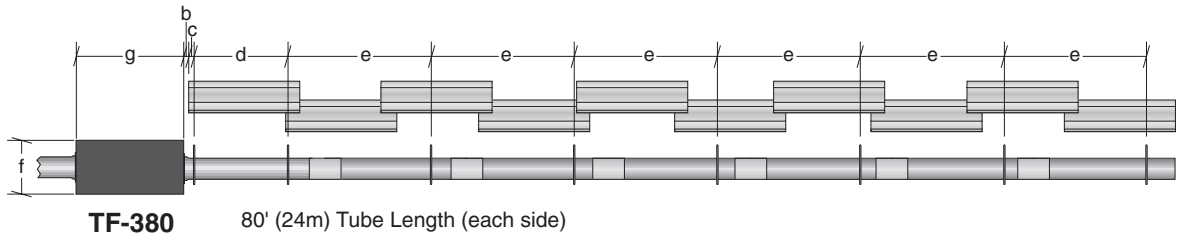
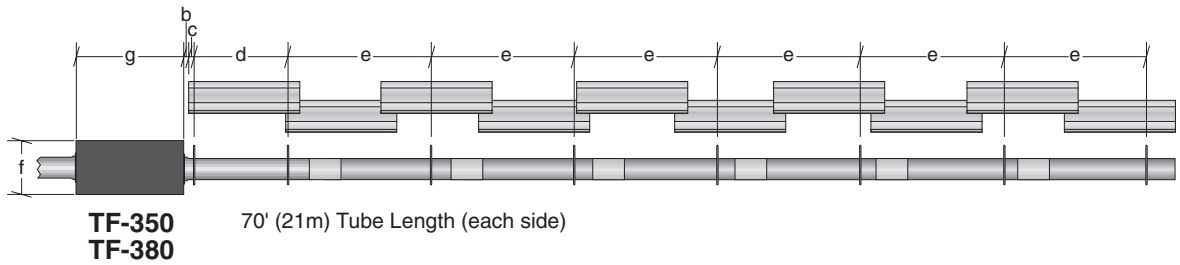
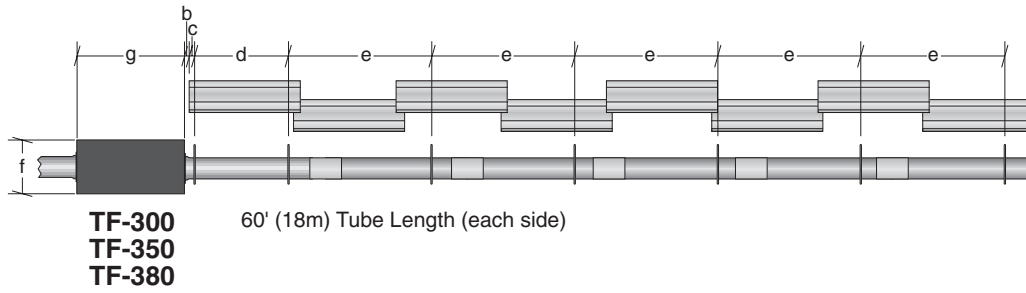
TF-Series Linear Layout Overview

Linear layouts showing one side. Use same measurements for the other side.

LEGEND	
	Burner
	Reflector
	Tube
	Tube/Reflector Hanger
	Coupling Assembly
<p>a = 14" (36 cm) reflector width (not shown)</p> <p>b = 2" (5 cm) end cap to burner</p> <p>c = 2" (5 cm) end cap to hanger</p> <p>d = 7'6" (229 cm) distance first hanger</p> <p>e = 10' (305 cm) distance between hangers</p> <p>f = 9.5" (24 cm) burner height</p> <p>g = 23.5" (60 cm) burner length</p>	



TF-Series Linear Layout Overview (Continued)



BBurner Tube Installation

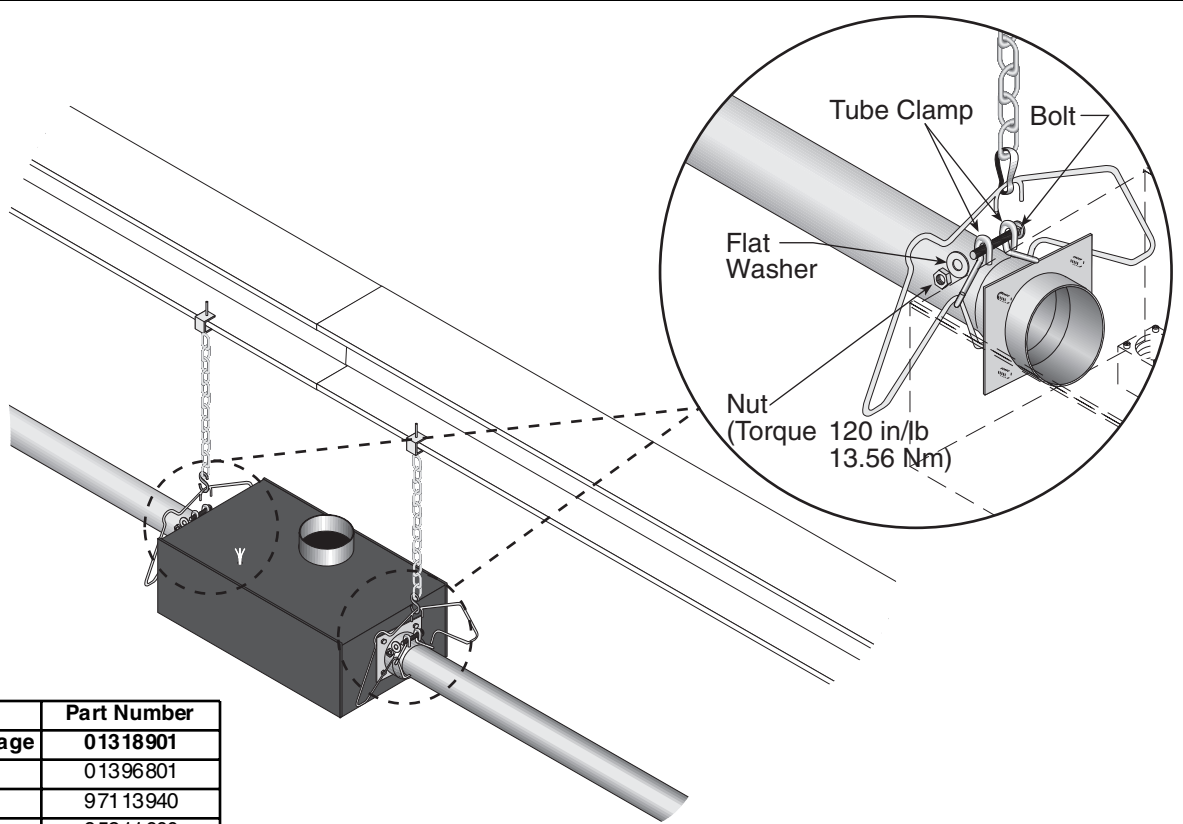
NOTE:
Tubing requires a downward slope of 1/2" (13 mm) per 20' (6 m) away from burner.

Description	Part Number
Bumer Tube	03051XXX
S-Hook	91907302
Tube/Reflector Hanger	03090100

Burner Installation

Description	Part Number
Bolt	94273914
Lock Washer	96411600
Gasket	02568200
Burner	090XXXXX

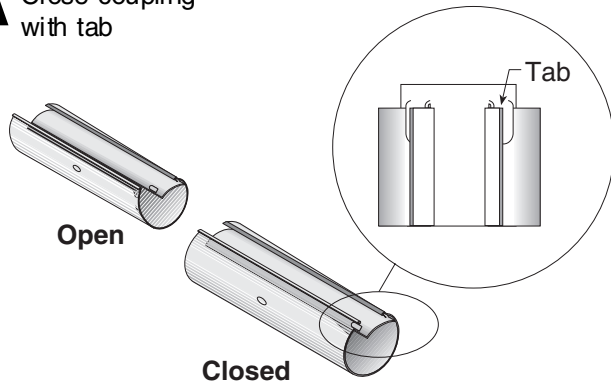
Tube Clamp Package Installation



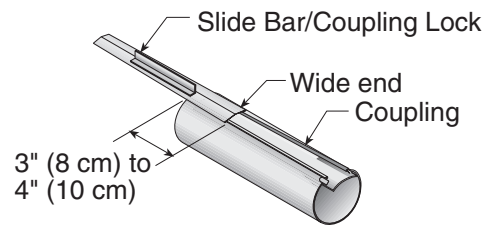
Description	Part Number
Tube Clamp Package	01318901
Tube Clamp	01396801
Bolt	97113940
Flat Washer	95211600
Nut	92113900

Coupling and Tube Assembly

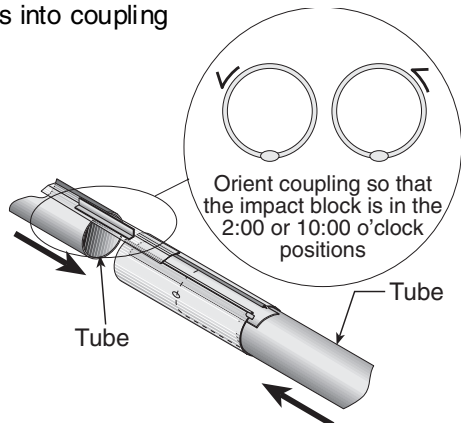
A Close coupling with tab



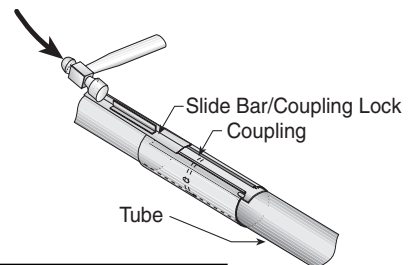
B Start Slide bar/Coupling Lock onto coupling



C Insert tubes into coupling



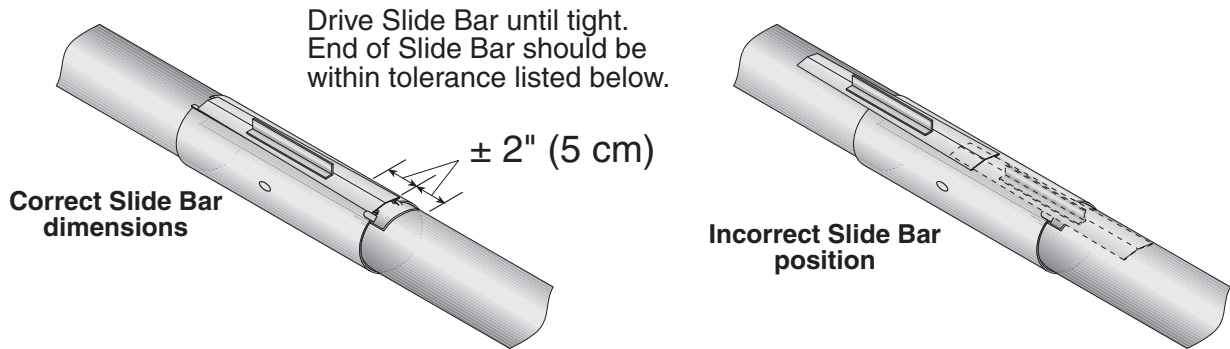
D Tighten coupling to join tubes



Description	Part Number
Coupling	01329600
Slide bar/Coupling Lock	01329700
Tube	91409XXX

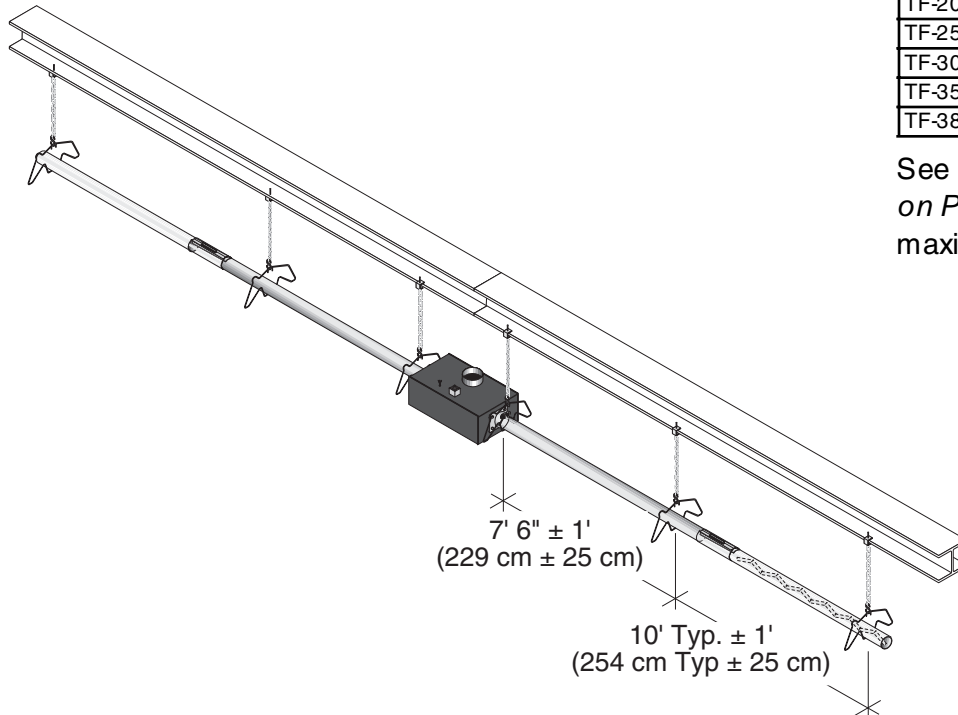
Coupling and Tube Assembly (Continued)

Tighten slide bar as shown below



• Repeat A - D until all tubes are assembled.

Coupling and Tube Assembly (Continued)



Model	Tube Length Per Side	
	Minimum	Maximum
TF-120	20' (6 m)	20' (6 m)
TF-160	20' (6 m)	30' (9 m)
TF-200	30' (9 m)	40' (12 m)
TF-250	40' (12 m)	50' (15 m)
TF-300	50' (15 m)	60' (18 m)
TF-350	50' (15 m)	70' (21 m)
TF-380	60' (18 m)	80' (24 m)

See recommended venting lengths on Page 28, Section , when using maximum tube lengths.

Turbulator Installation

Turbulator must be installed in the last standard section of tube.

Turbulator 2.5' Section

Turbulator Adapter

Tab

Twist

Pull String

Fold tab around outside of tube nearest to the vent to hold turbulator in place. Where a vent sleeve is used, do not fold tab.

Description	Part Number
Turbulator Section 1	03051503
Turbulator Section 2	03051504
Tube	91409XXX

Reflector Installation

NOTE: All tube surfaces must be covered by a reflector, except for a U-Tube.

Burner

Hanger

Burner Tube

Reflector

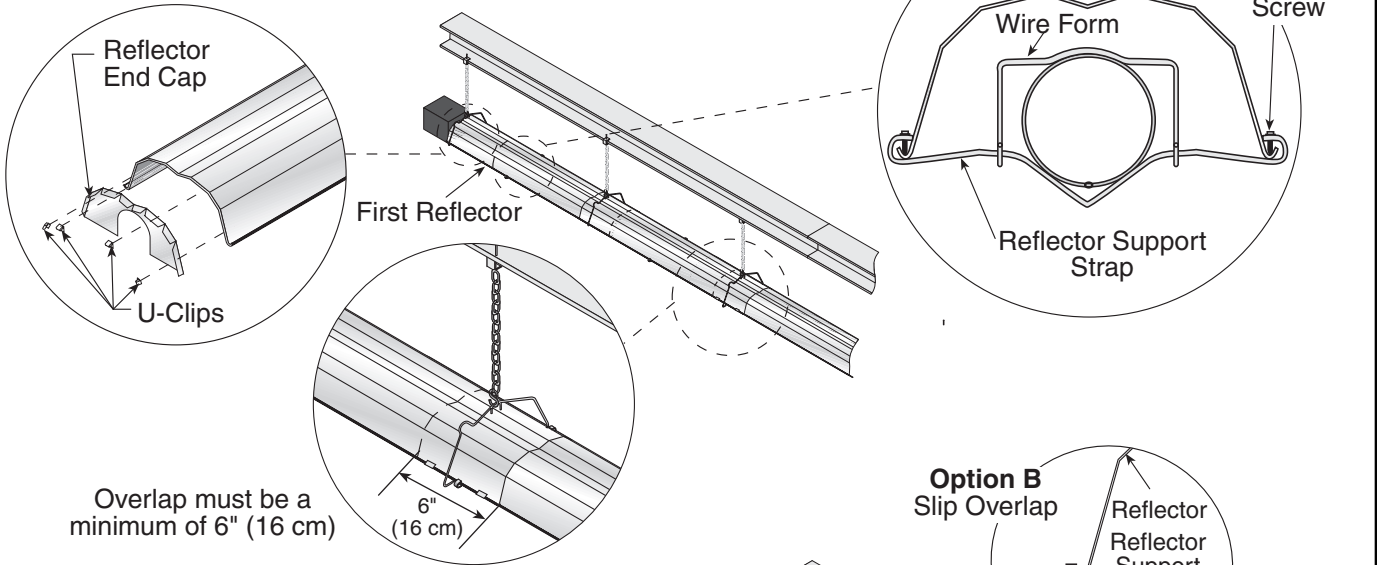
Description	Part Number
Tube/Reflector Hanger	03090100
Burner Tube	03051XXX
Reflector	02750303

Reflector, U-Clip and Reflector Support Installation

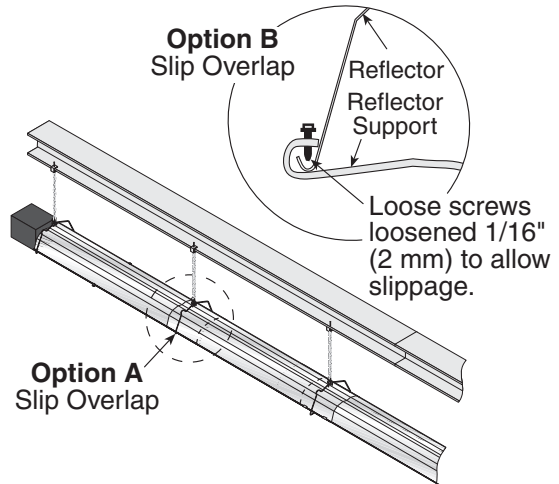
The pictorial drawings of the heater construction in this *Section* are schematic only and provide a general guideline of where hangers, reflector supports and U-clips are to be installed.

To ensure proper expansion and contraction movement of the reflectors, a combination of U-clips and reflector supports are used. The positioning of reflector supports and U-clips depend on the individual installation. The following rules must be observed.

1. The first reflector after the burner must be affixed in the middle of the reflector with a reflector support and tight screws.

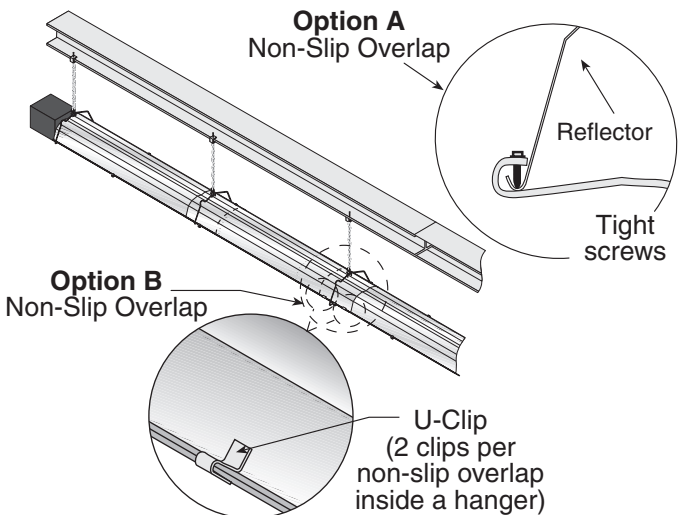


2. The overlap at the first and second reflector is a slip overlap. Thereafter, every third reflector joint is a slip overlap. A slip overlap is achieved by either:
 - a.) both reflectors lay inside a hanger. (no reflector support needed).
 - b.) using a reflector support with loose screws at the reflector overlap.



3. The remaining reflector overlaps require a non-slip overlap connection. To affix the reflectors together in a non-slip overlap either:
 - a.) use reflector support and tight screws.
 - b.) if both reflectors lay inside a hanger, u-clips or sheet metal screws may be used.

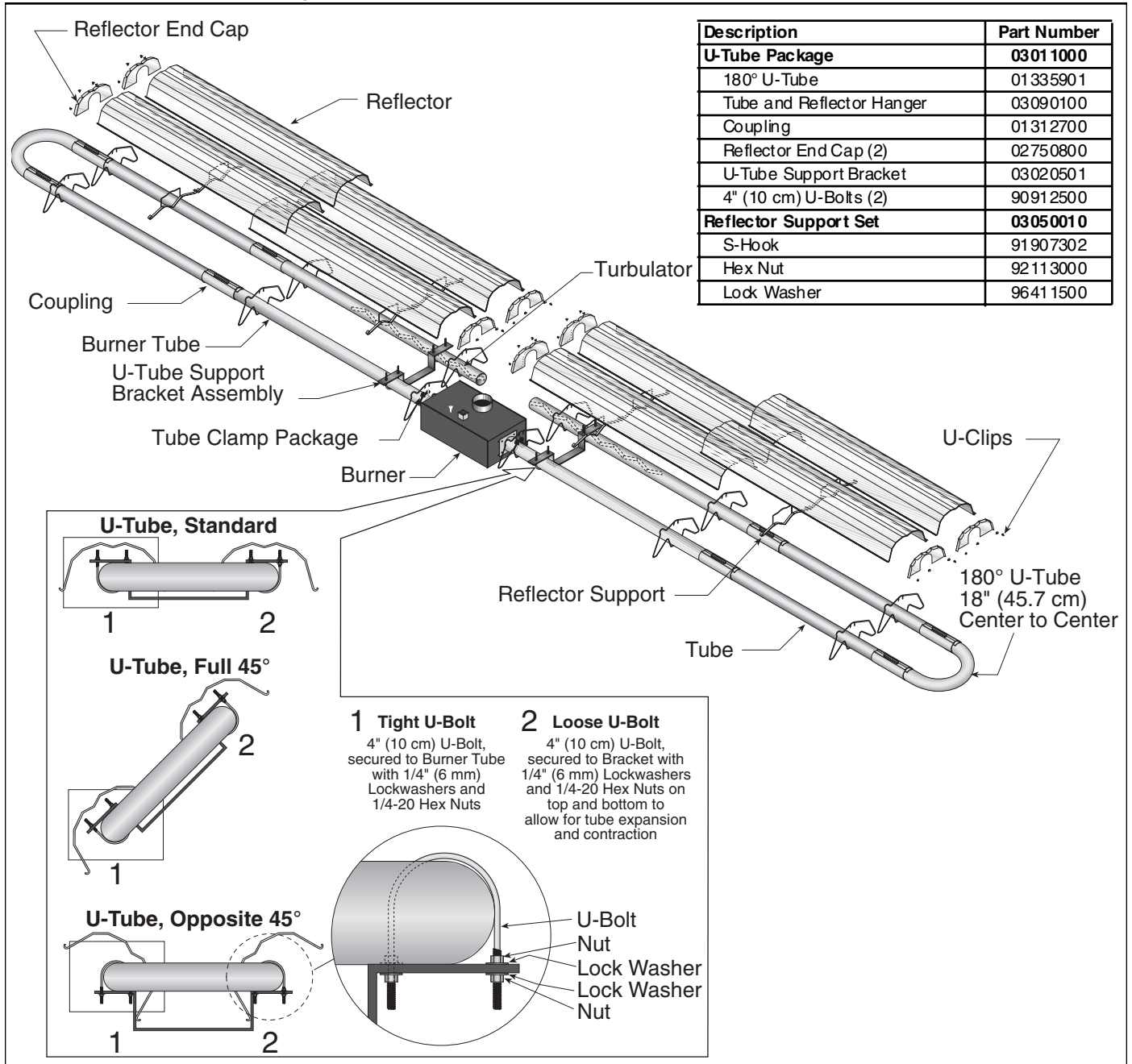
This section of three reflectors joined together must be affixed to the tube with at least one reflector support with tight screws.



Description	Part Number
Reflector Support Package	03050010
Wire Form	91908004
Reflector Support Strap	03050000
Screw #8 x 3/4	94320812
U-Clip Package	91107720
Reflector End Cap	027508XX







OPTIONAL HEATER ACCESSORIES

TF-Series U-Tube Assembly Overview



TF-Series U-Tube Layout Overviews

U-tube layouts showing one side. Use same measurements for the other side.

LEGEND	
	Burner
	Reflector
	Tube 10' (3m)
	Tube 5' (1.5m)**
	Tube/Reflector Hanger
	Coupling Assembly
	U-Tube

a = 14" (36 cm)
reflector width (not shown)

b = 2" (5 cm)
end cap to burner

c = 2" (5 cm)
end cap to hanger

d = 7'6" (229 cm)
distance first hanger

e = 10' (305 cm)
distance between hangers

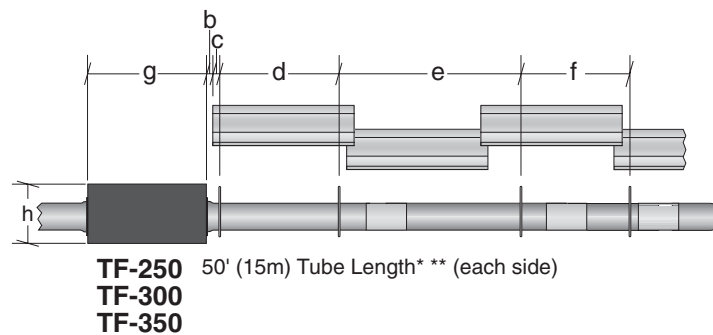
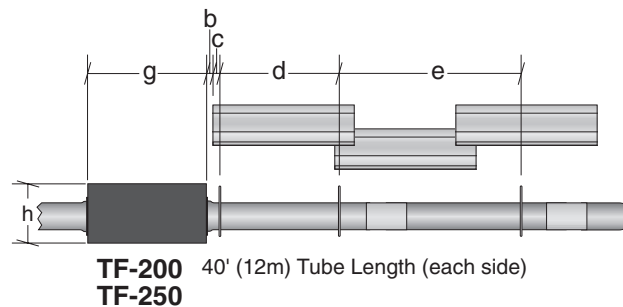
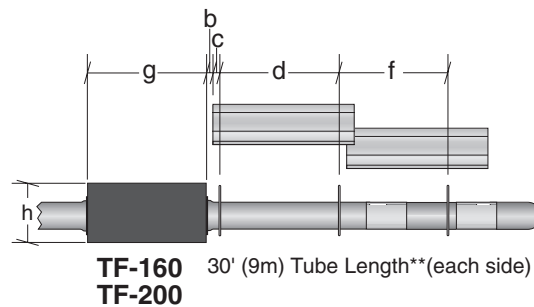
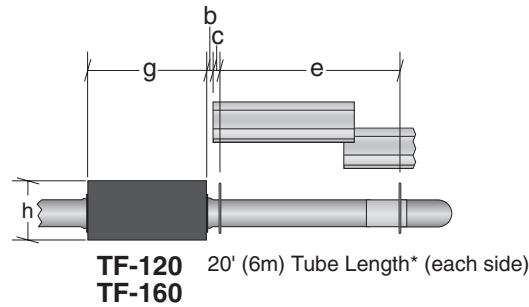
f = 5' (153 cm)
distance between last full tube hanger and half tube hanger

g = 17.5" (44 cm)
burner length

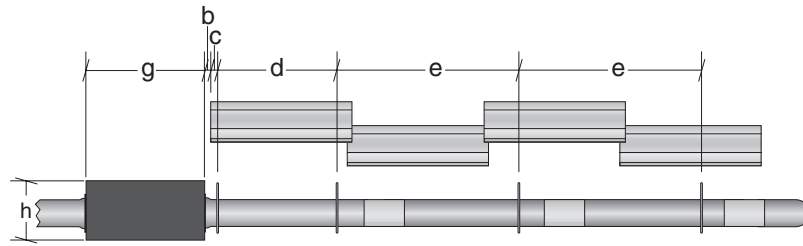
h = 9.5" (24 cm)
burner height

*Requires the last **reflector** before the U-Tube to be cut in half for use on both sides.

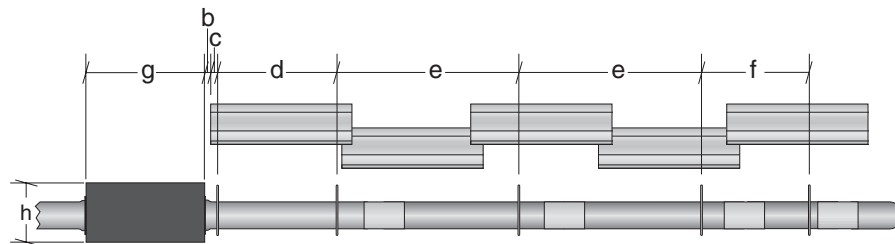
Requires the last **tube before the U-Tube to be cut in half for use on both sides.



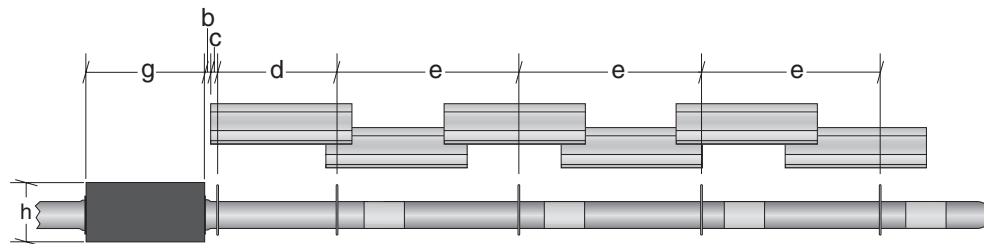
TF-Series U-Tube Layout Overviews (Continued)



TF-300 60' (18m) Tube Length (each side)
TF-350



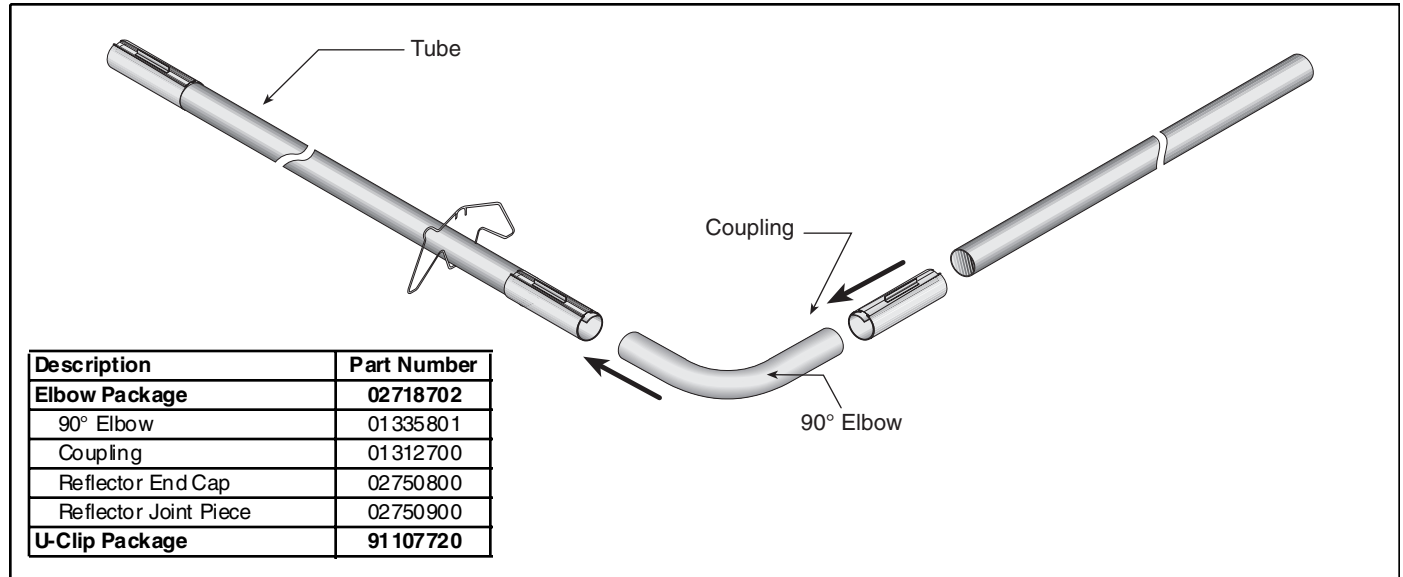
TF-350 70' (21m) Tube Length** (each side)
TF-380



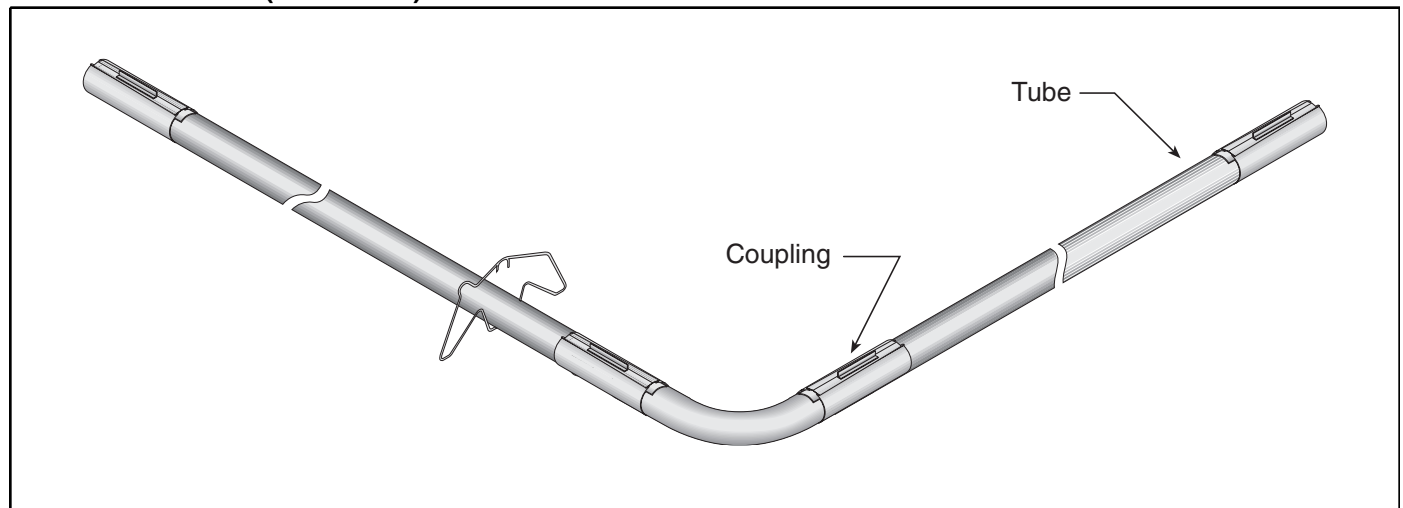
TF-380 80' (24m) Tube Length** (each side)

ELBOW PACKAGE CONFIGURATION

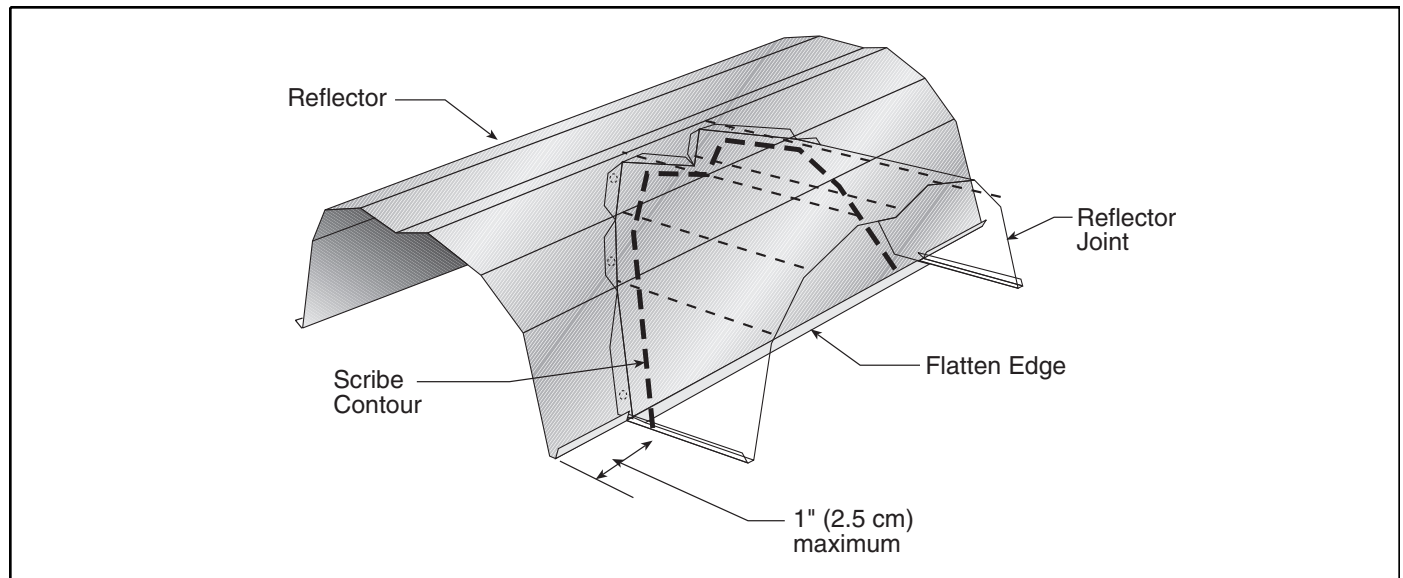
Elbow Installation



Elbow Installation (continued)

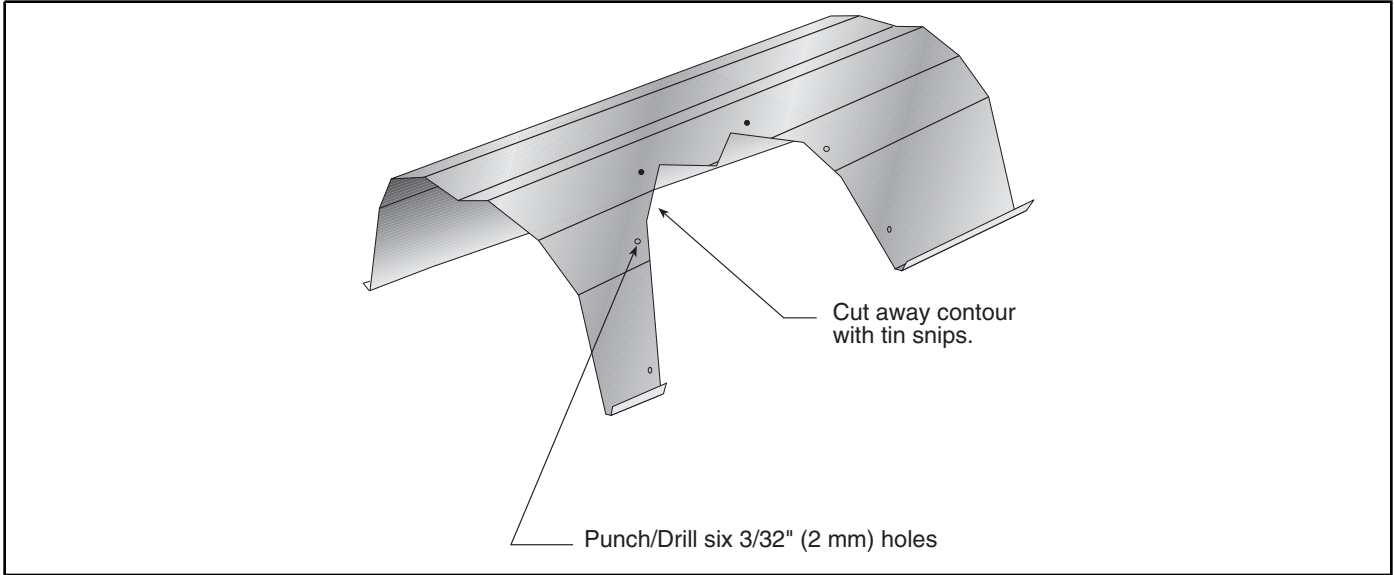


Reflector Joint Installation

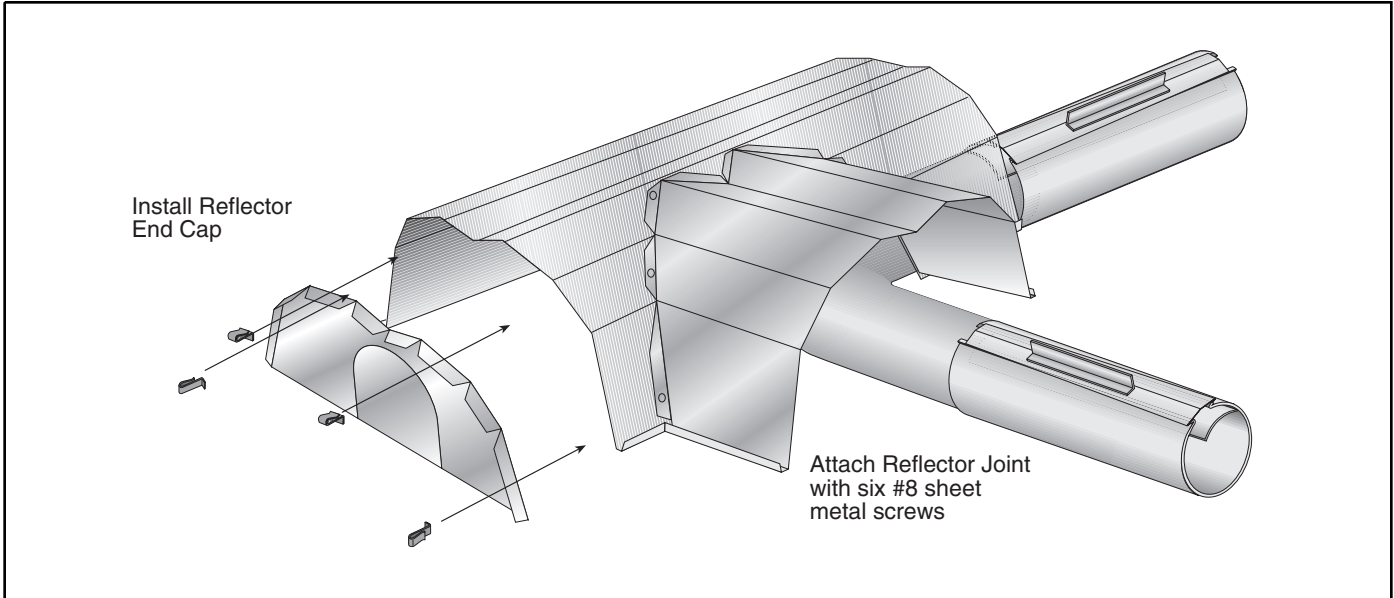


Reflector Joi29

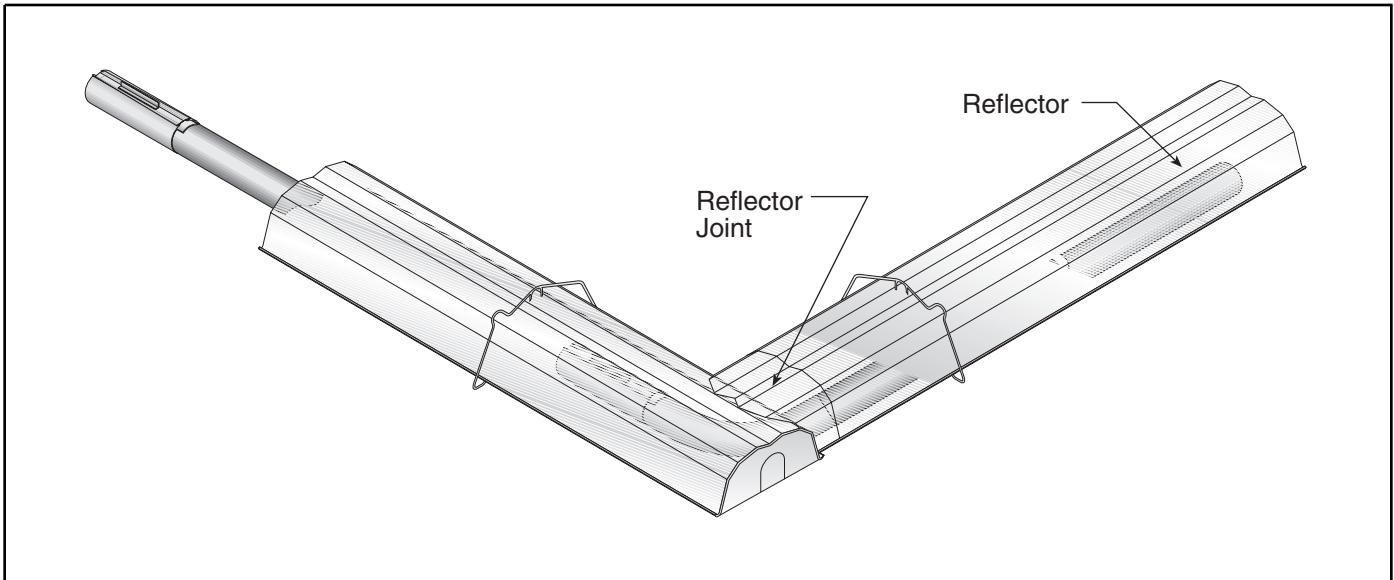
nt Installation



Reflector Joint Detail

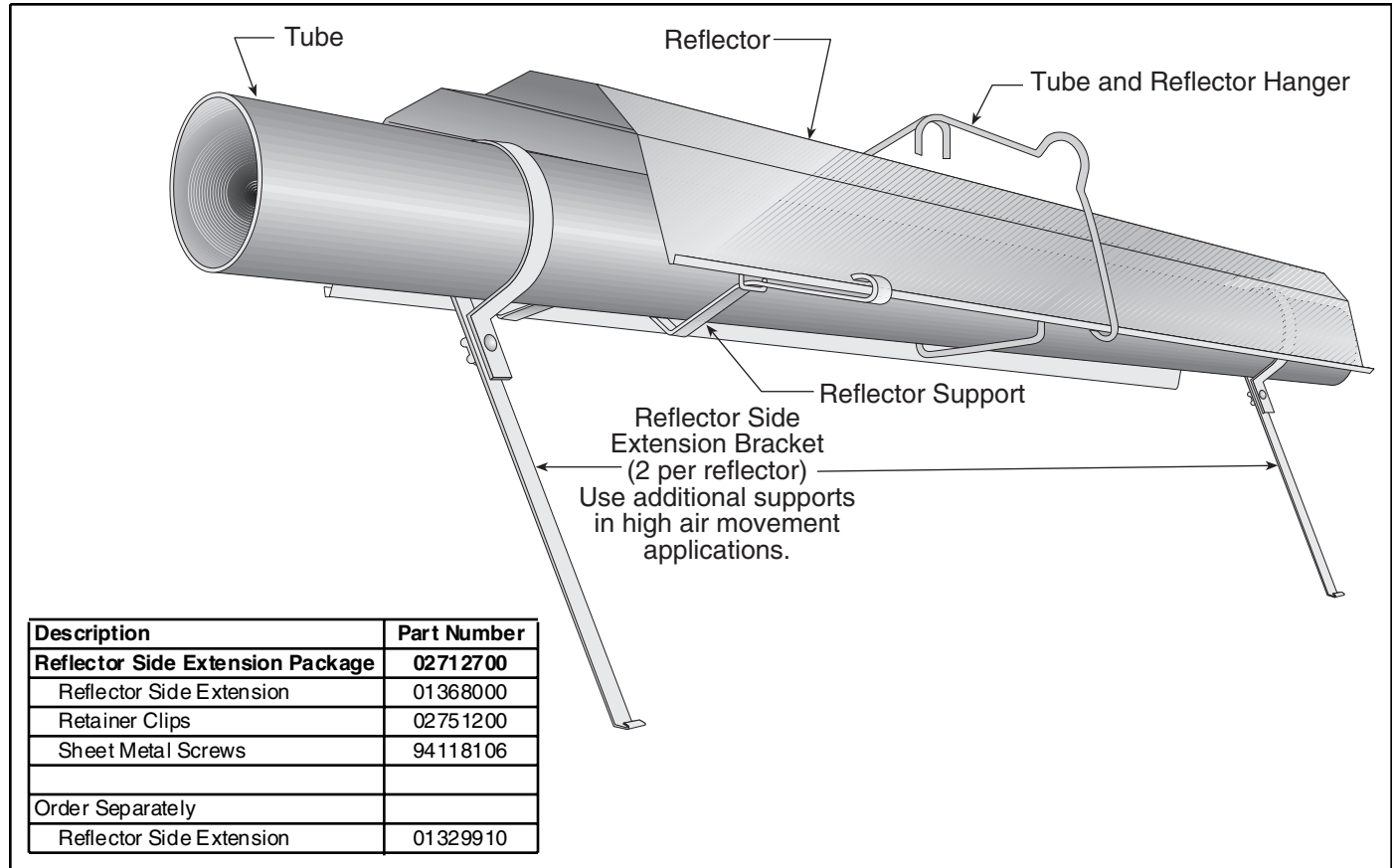


Reflector Joint Detail

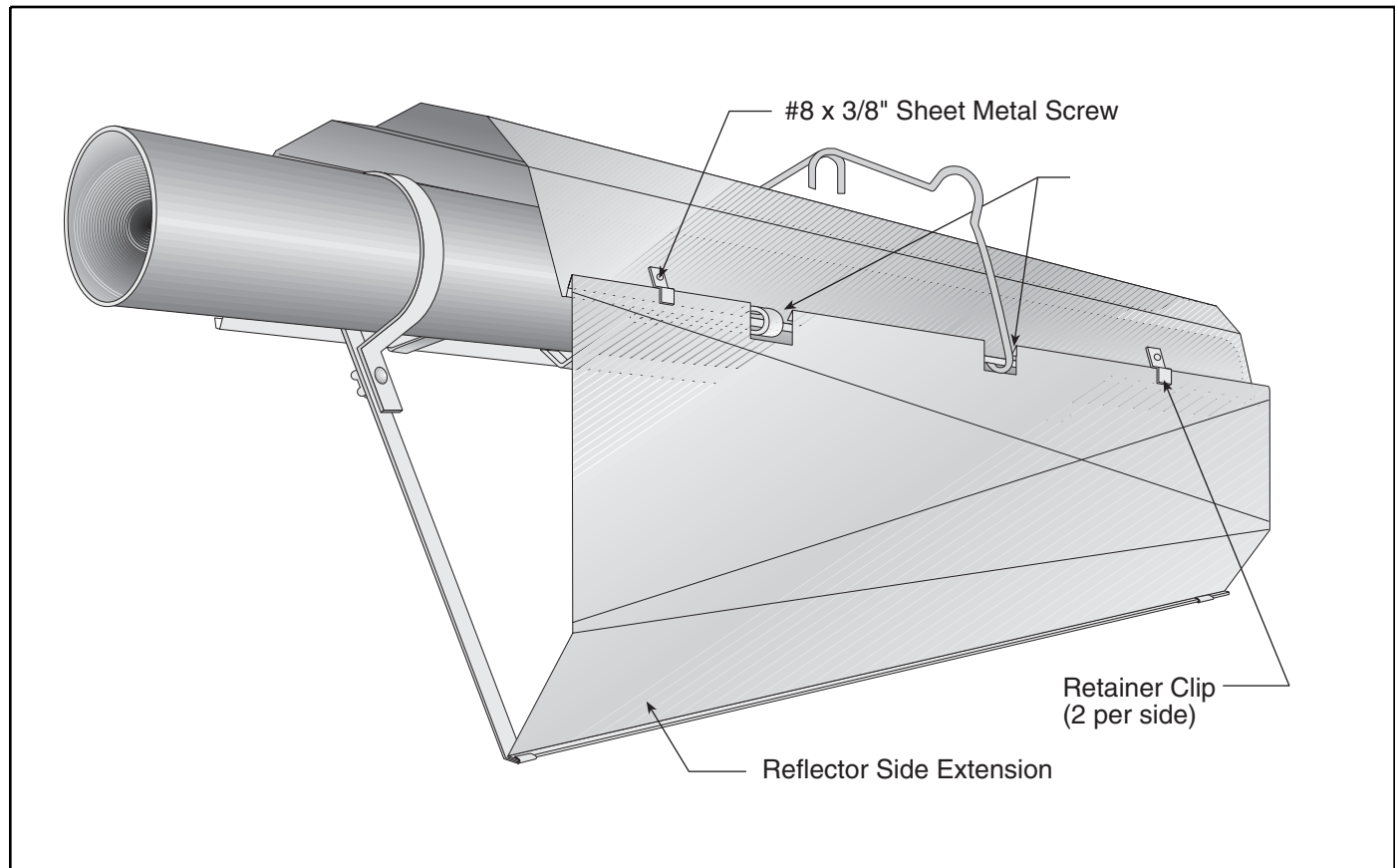


REFLECTOR SIDE EXTENSION

Bracket Installation

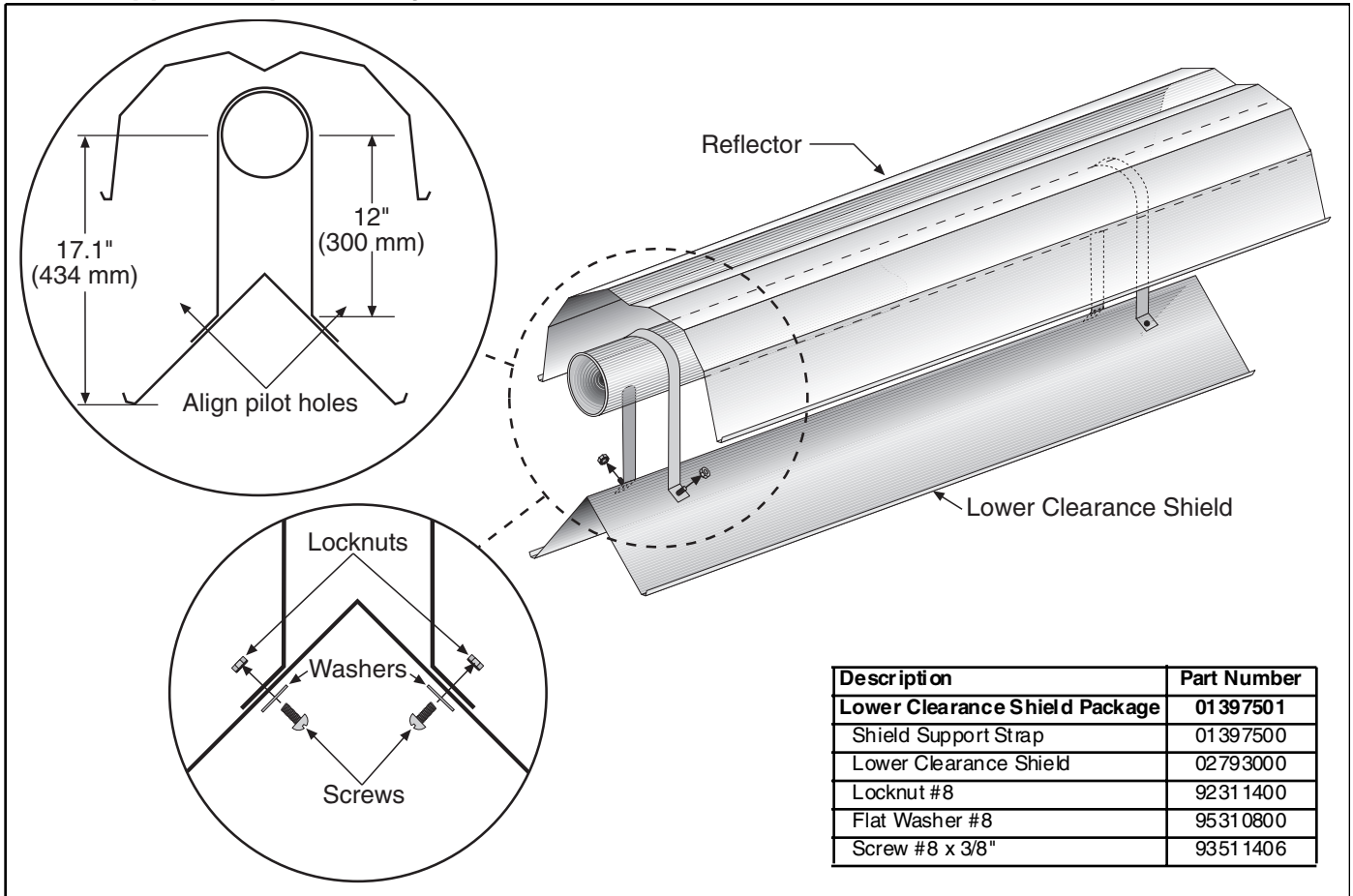


Side Reflector Installation



LOWER CLEARANCE SHIELD INSTALLATION

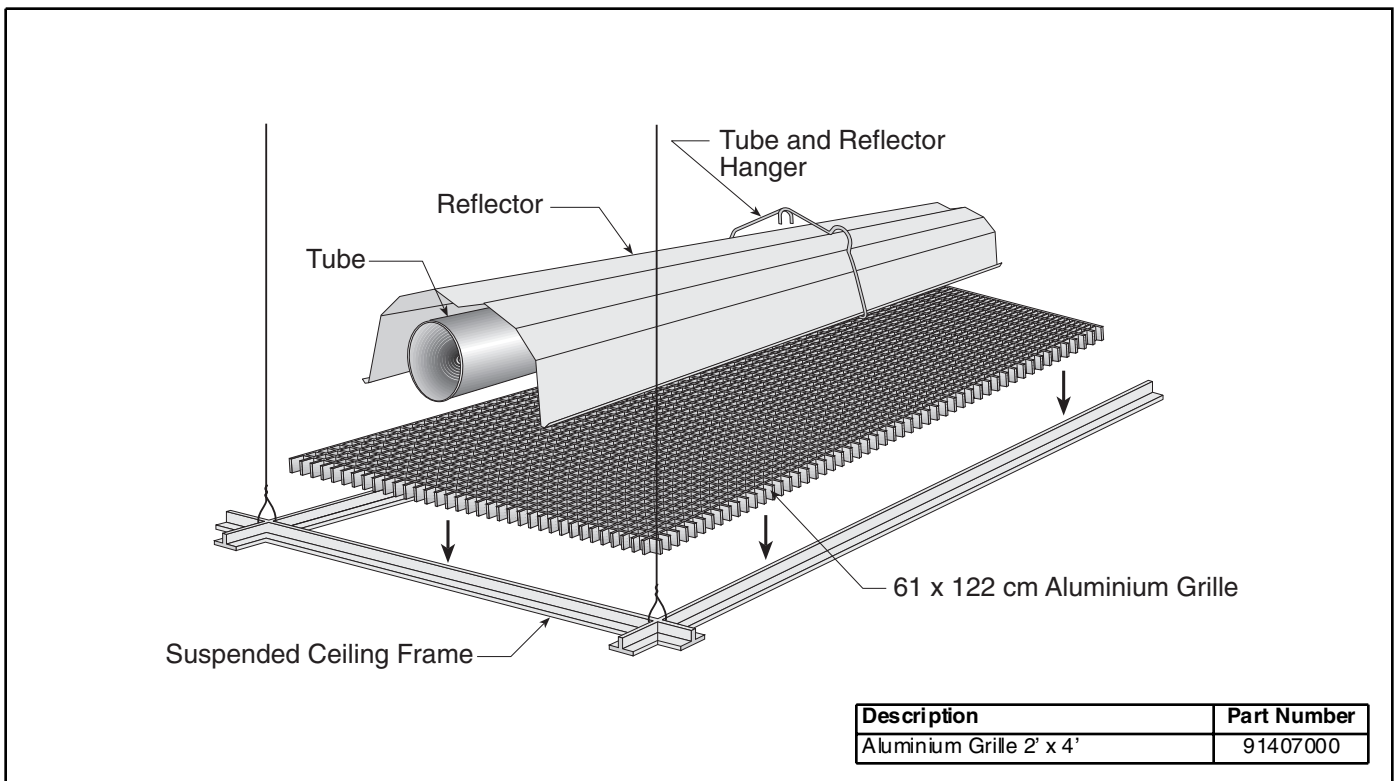
Shield Support Strap Assembly



Description	Part Number
Lower Clearance Shield Package	01 397501
Shield Support Strap	01 397500
Lower Clearance Shield	02 793000
Locknut #8	9231 1400
Flat Washer #8	9531 0800
Screw #8 x 3/8"	9351 1406

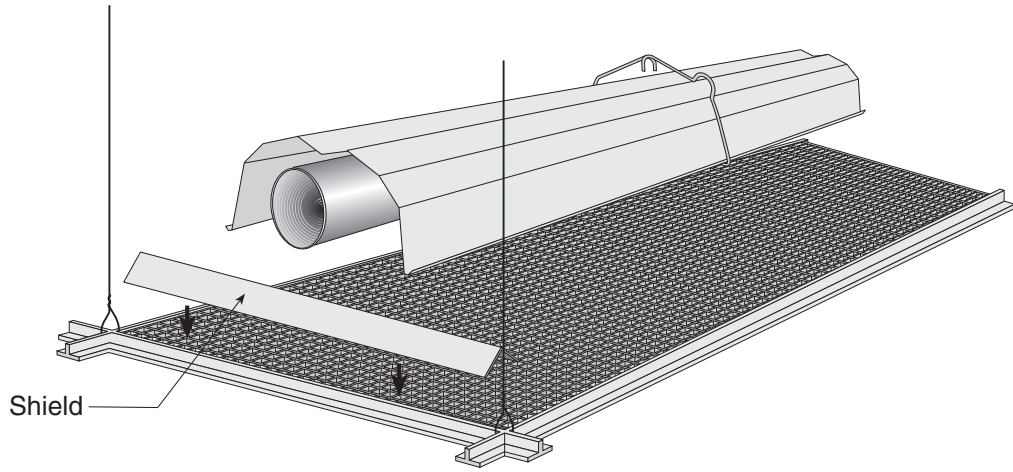
TWO-FOOT DECORATIVE GRILLE INSTALLATION

Grille Installation



Description	Part Number
Aluminium Grille 2' x 4'	91407000

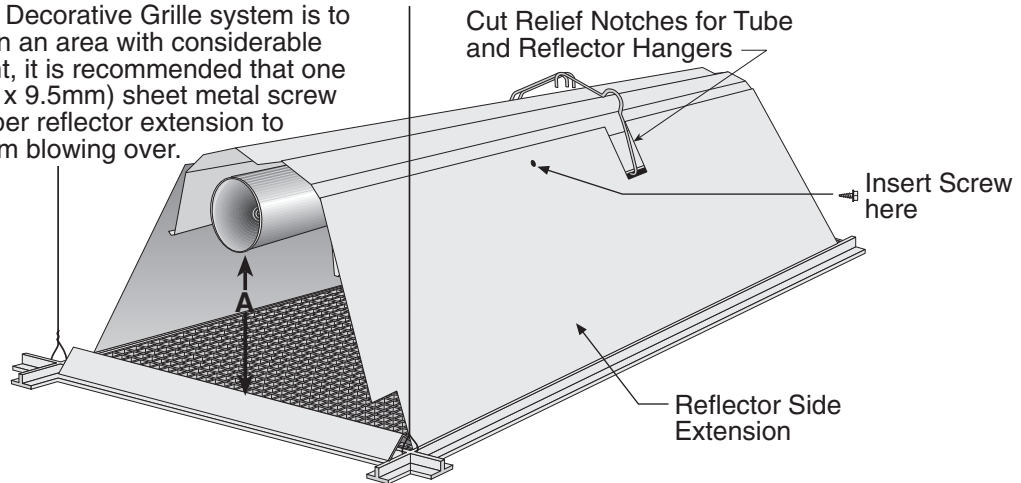
Frame Shield Installation



Description	Part Number
Deco Grille Shield	01365900

Reflector Side Extension Installation

NOTE: If the Decorative Grille system is to be installed in an area with considerable air movement, it is recommended that one #8 x 3/8 (3.9 x 9.5mm) sheet metal screw be installed per reflector extension to prevent it from blowing over.



Distance "A"		Extension	
Minimum	Maximum	Part No.	Width
2" (4 cm)	6" (15 cm)	01370408	8" (20 cm)
6" (15 cm)	10" (26 cm)	01370412	12" (30 cm)
10" (26 cm)	14" (37 cm)	01370416	16" (40 cm)

Description	Part Number
Reflector Side Extension	01370412

ONE-FOOT DECORATIVE GRILLE INSTALLATION

One-Foot Decorative Grille Bracket

In order to maintain reflector shape, do not fasten brackets together. Do not fasten bracket to adjoining reflectors. Maintain same slipjoint position as reflectors.

Description	Part Number
Bracket	01363003

Decorative Grille

Spread apart brackets and install Decorative Grille.

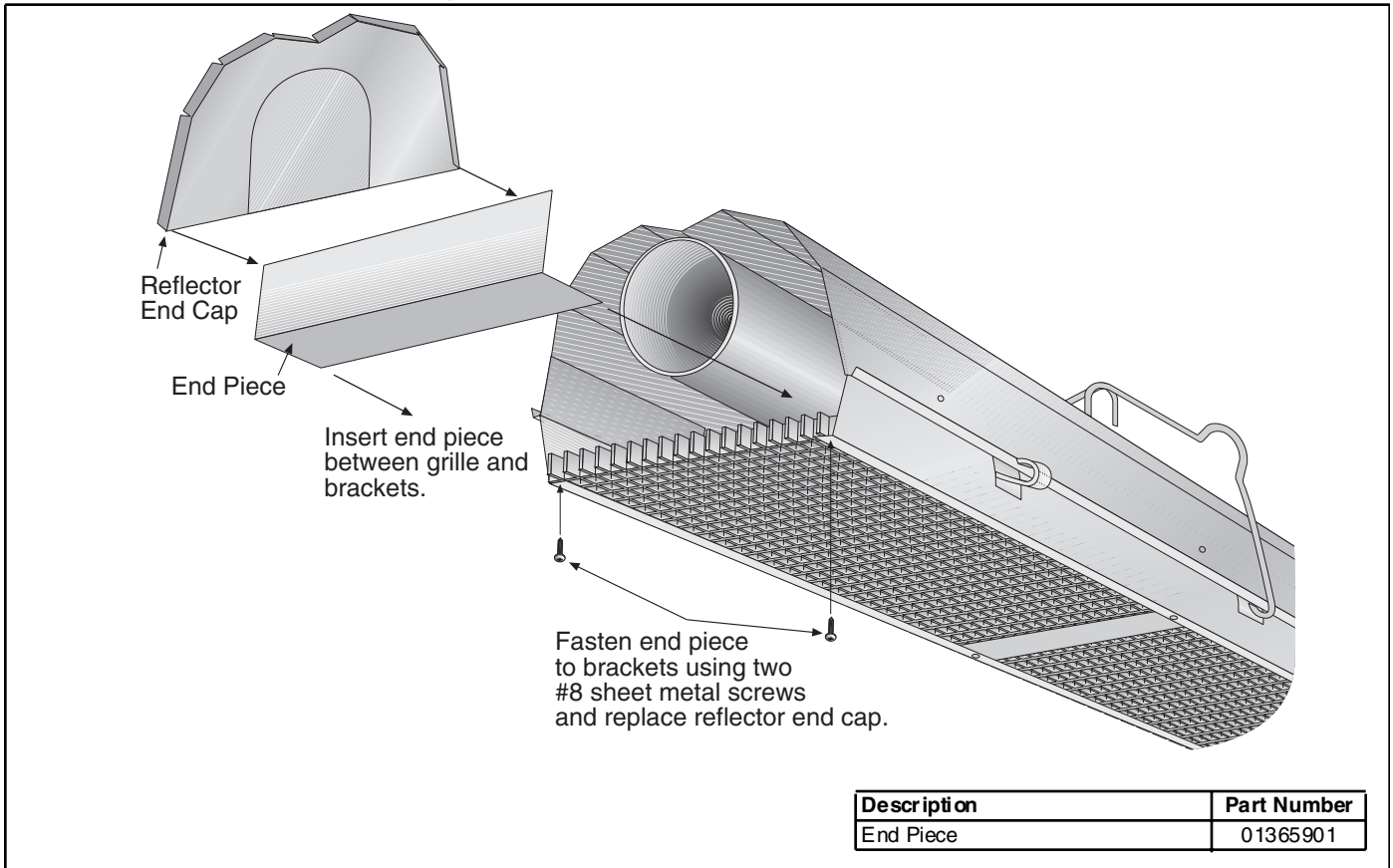
Description	Part Number
Decorative Grille 8' x 1'	91406700

Joint Piece and Reinforcement

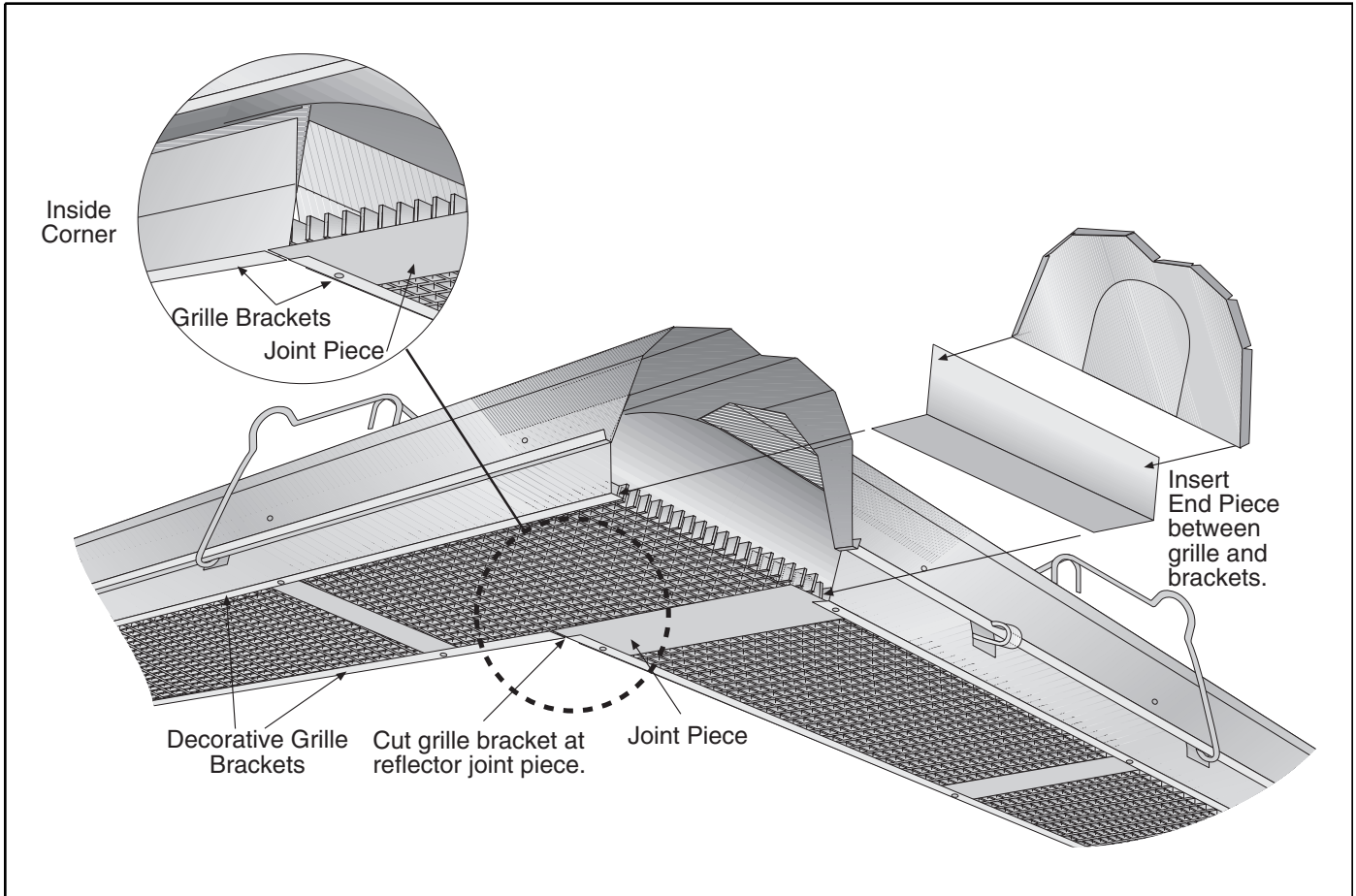
Slip joint piece into support bracket and fasten to bracket on one side of the joint only.

Description	Part Number
Joint Piece	01365903
Reinforcement	01365902

End Piece and Reflector End Cap

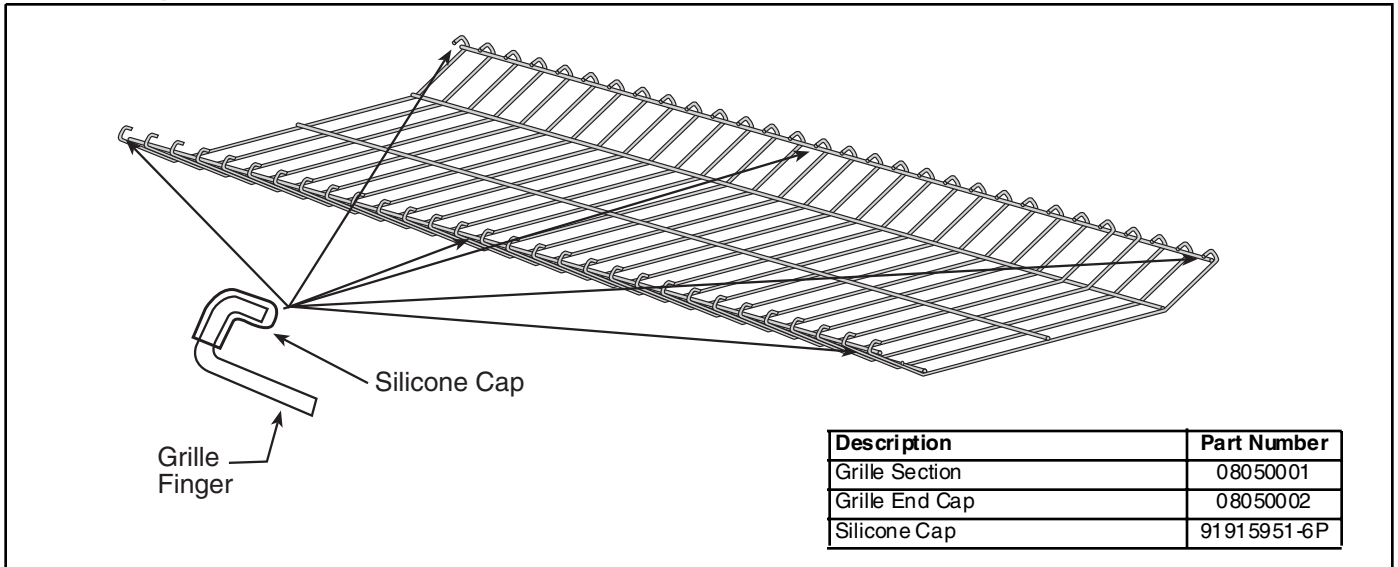


90° Elbow

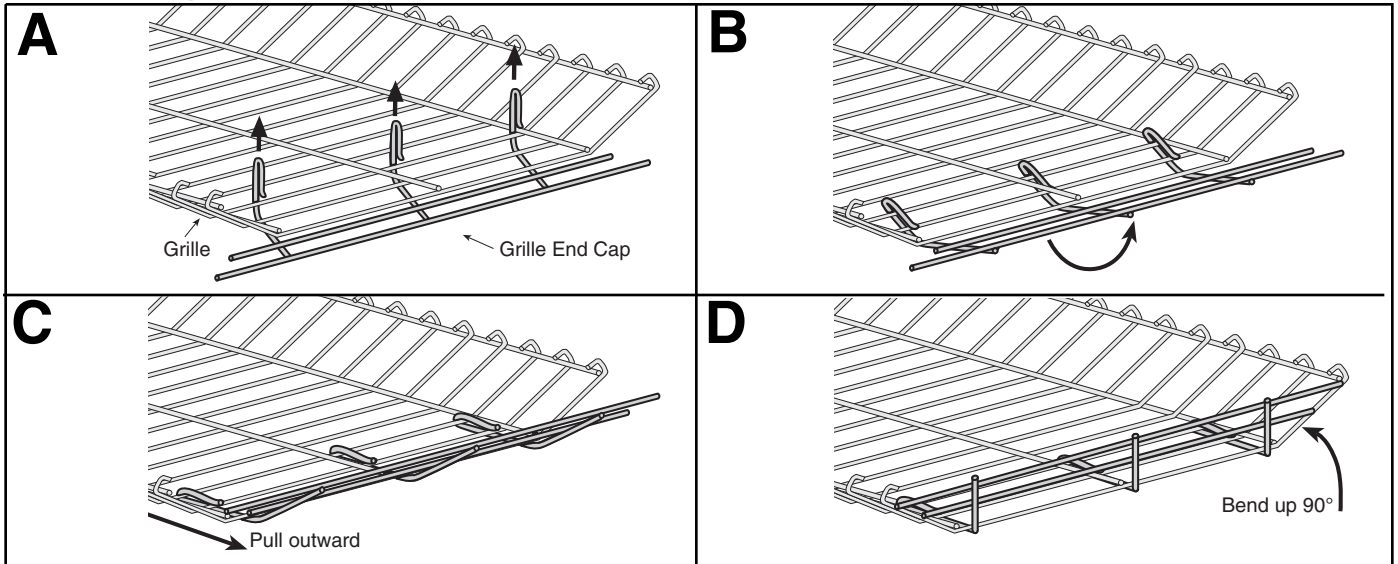


PROTECTIVE GRILLE INSTALLATION

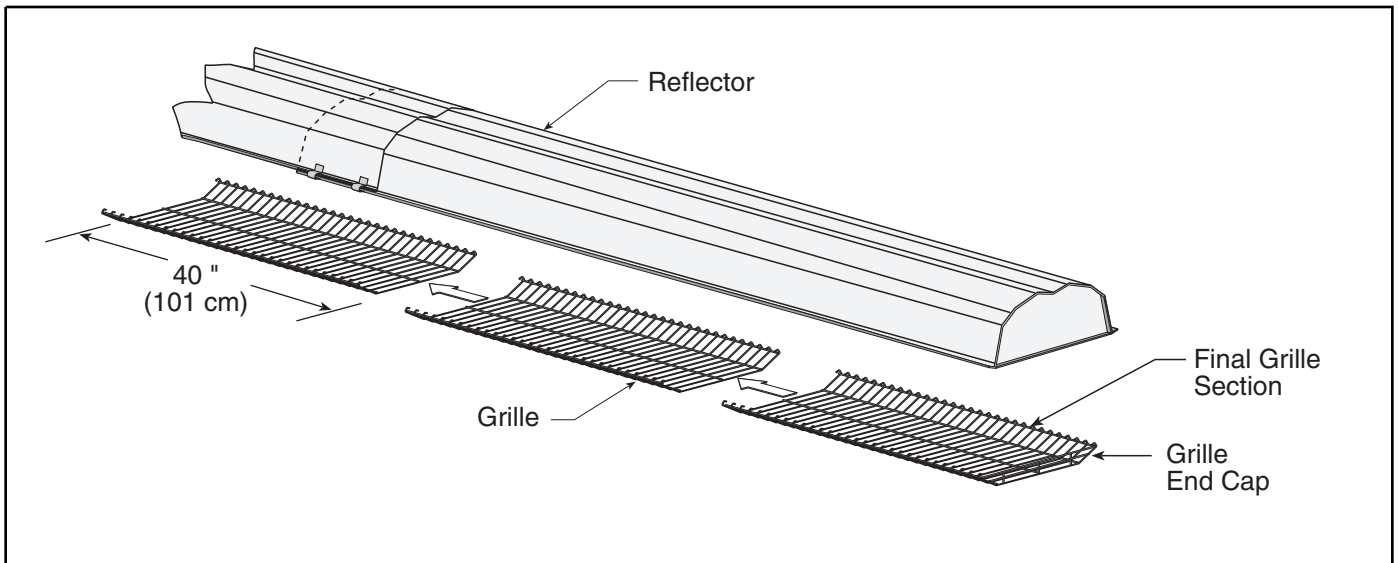
Silicone Cap Installation



Grille End Cap Installation

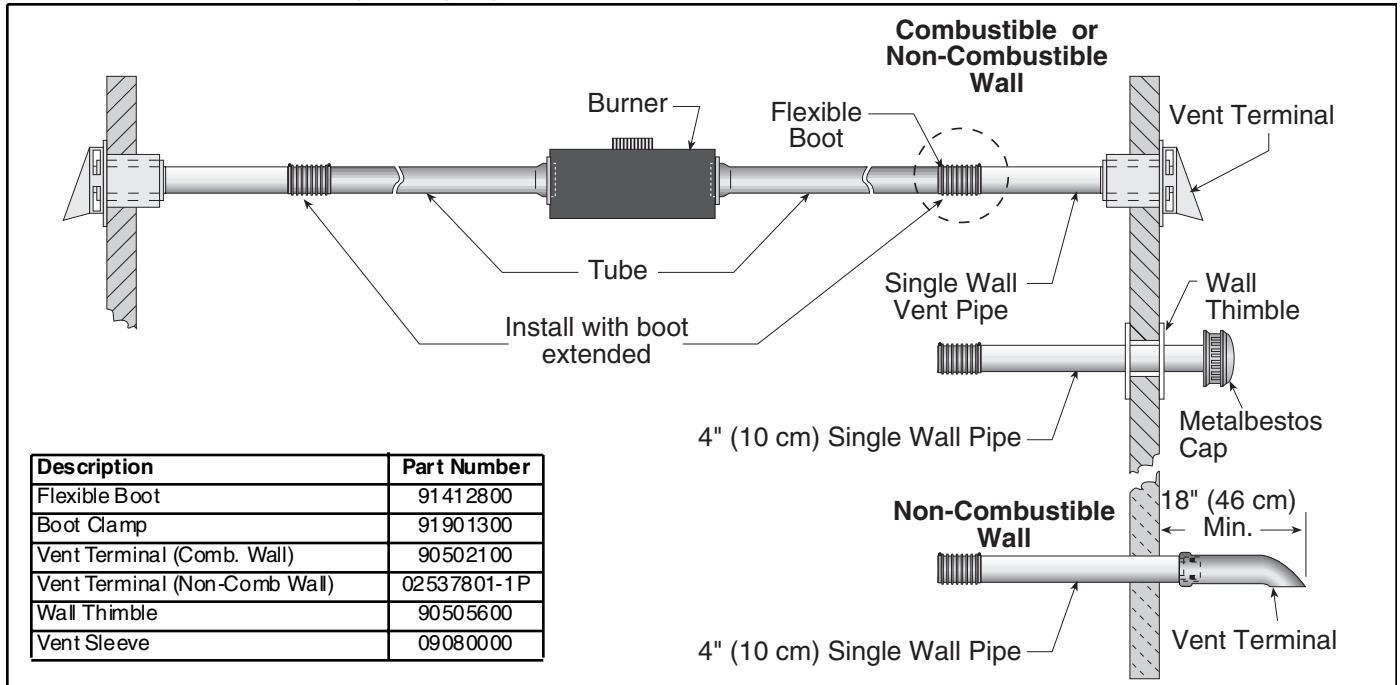


Grille Installation

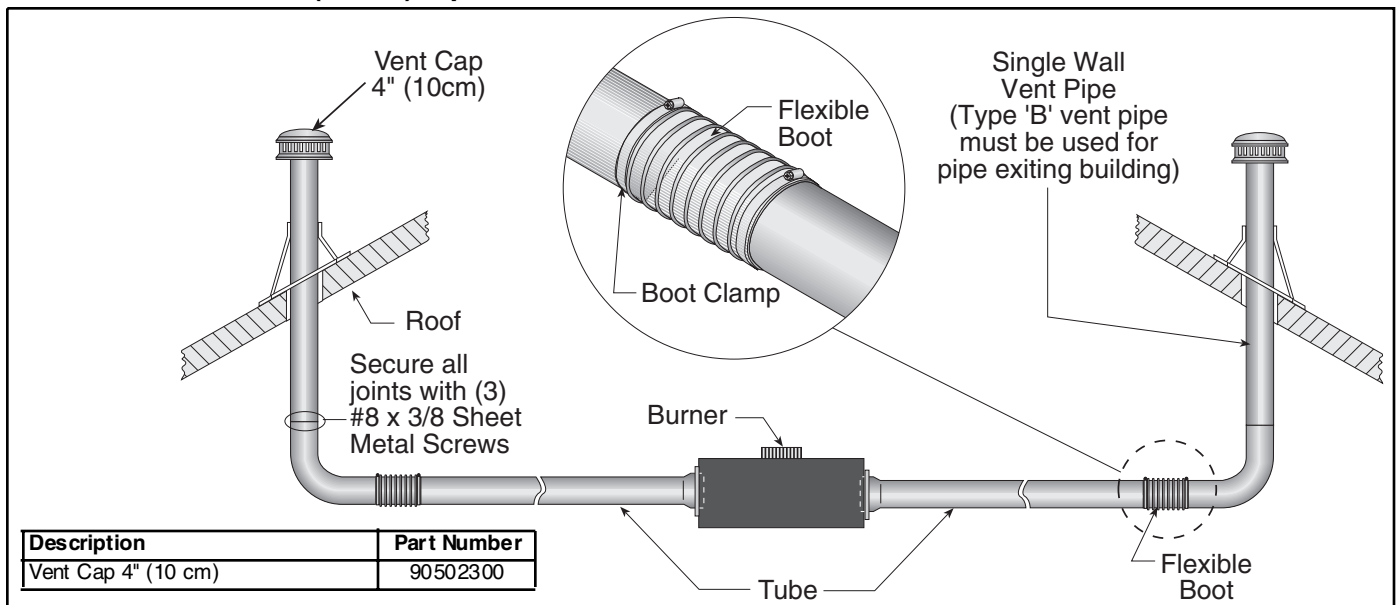


VENTING

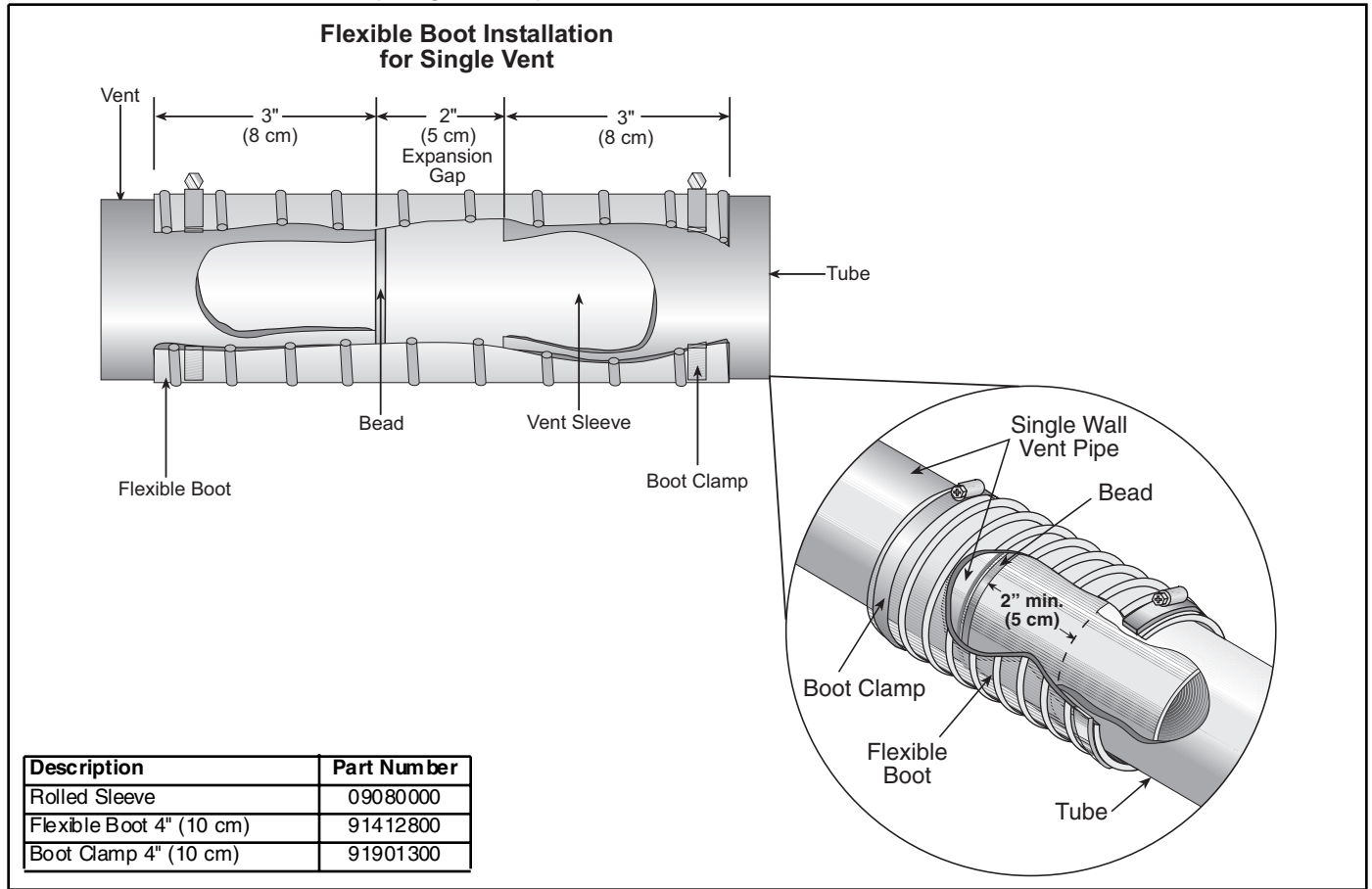
Horizontal Ventilation 4" (10 cm) Pipe



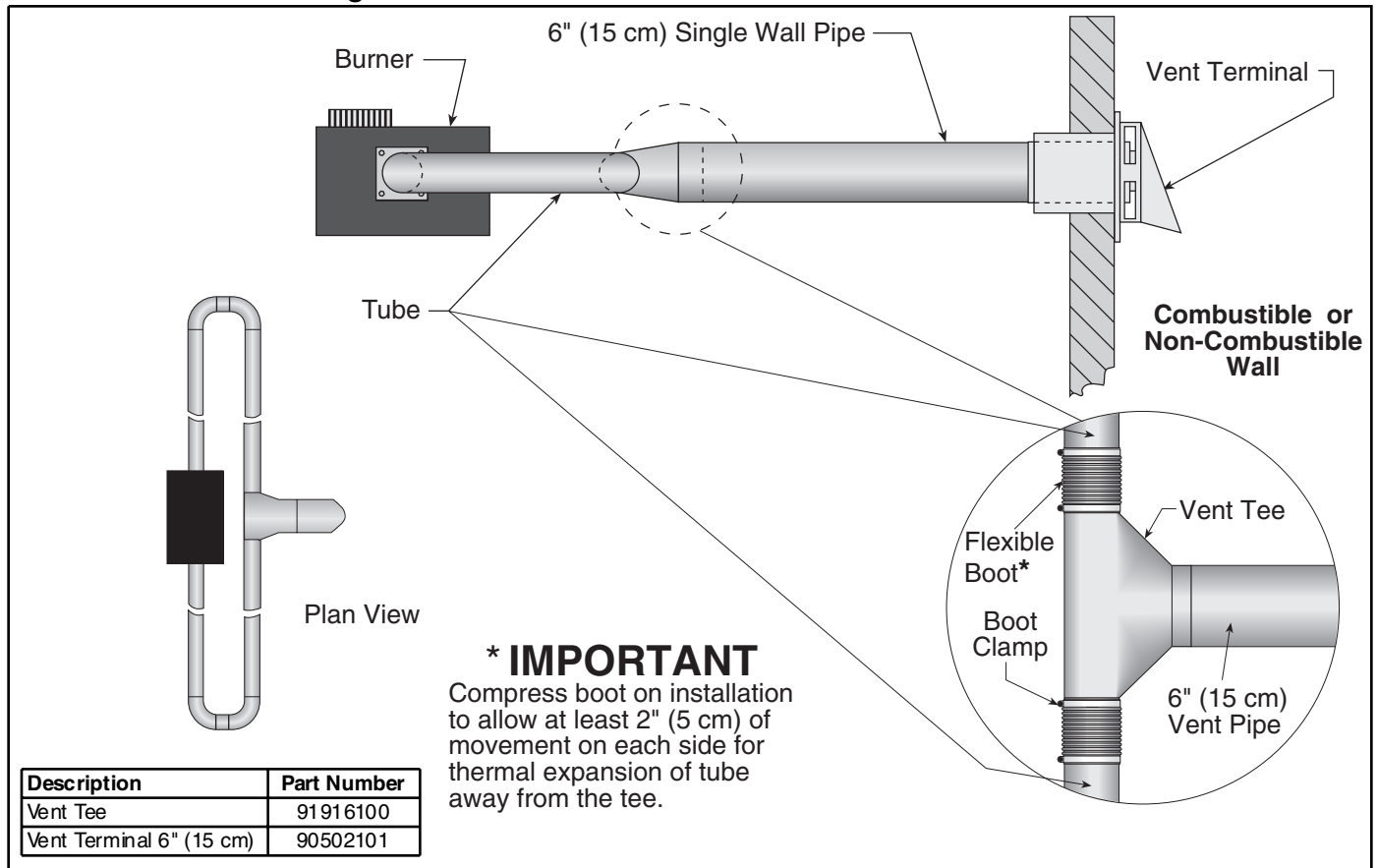
Vertical Ventilation 4" (10 cm) Pipe



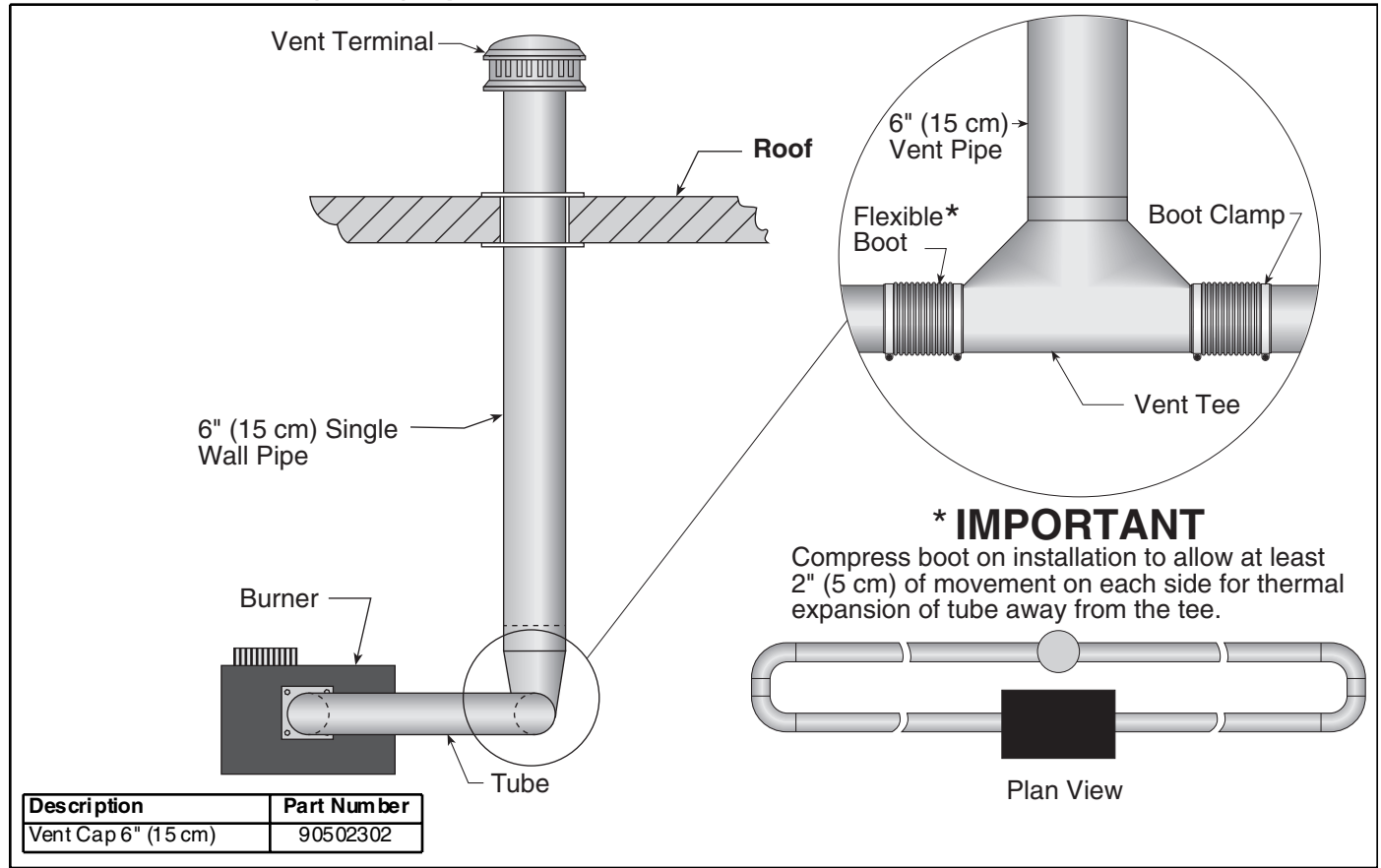
CFlexible Boot Installation (Single Vent)



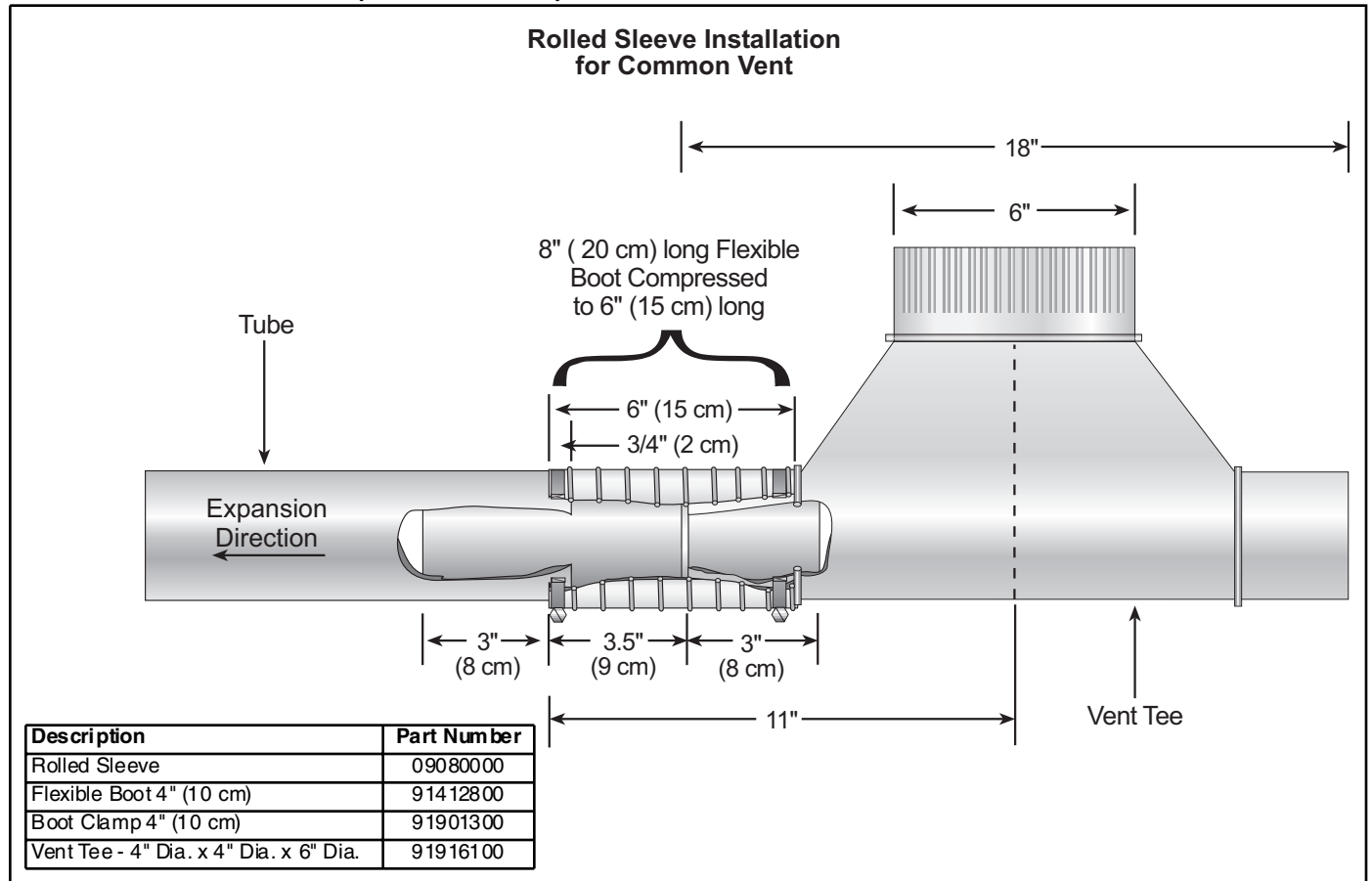
Common Sidewall Venting



Vertical Ventilation 6" (15 cm) Pipe

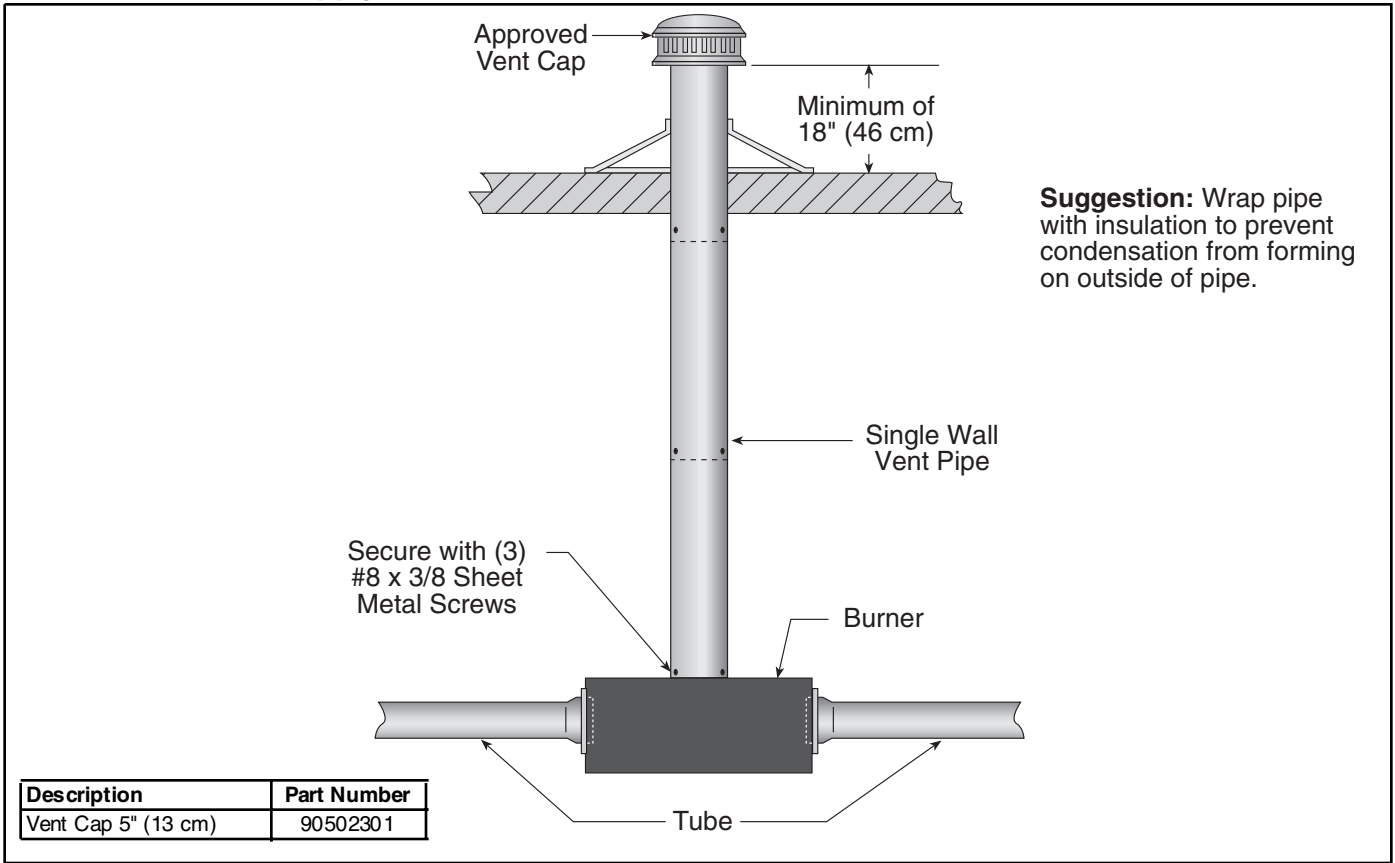


Flexible Boot Installation (Common Vent)

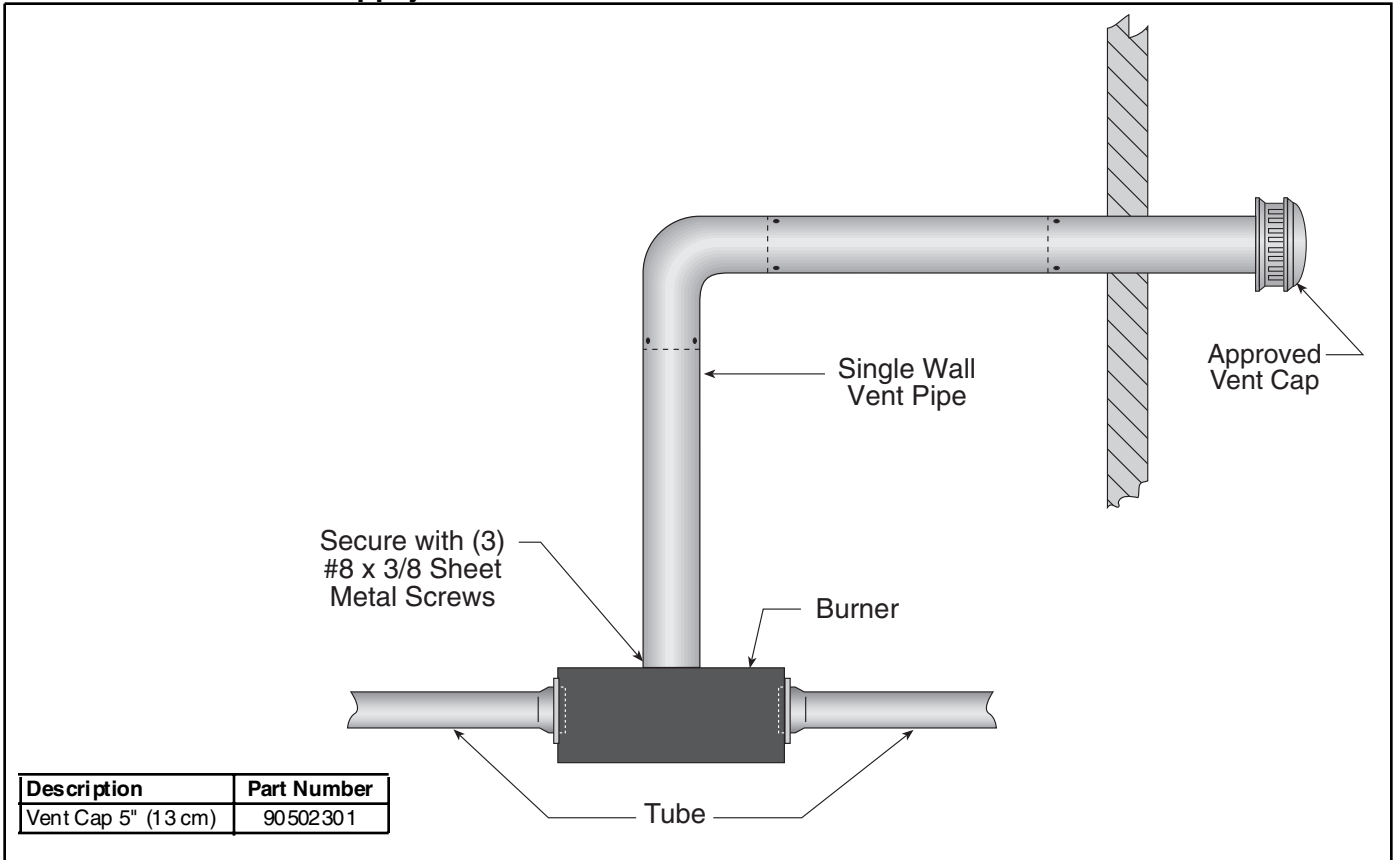


OUTSIDE COMBUSTION AIR SUPPLY

Vertical Outside Air Supply

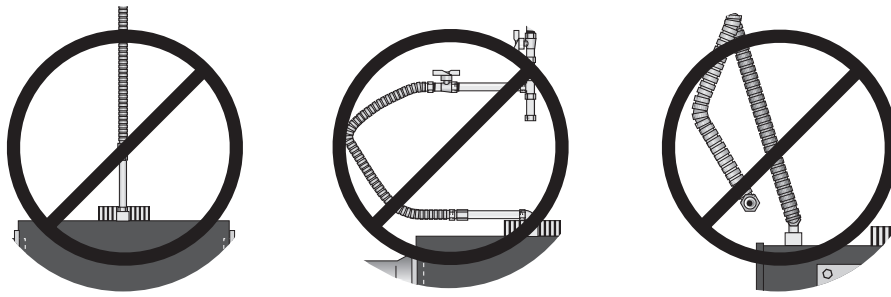


Horizontal Outside Air Supply



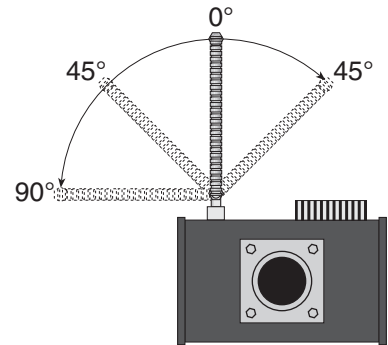
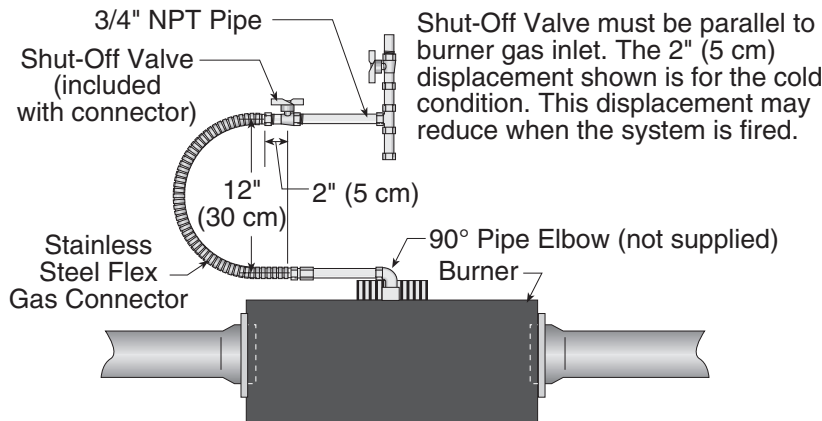
GAS PIPING

FIGURE 1: Gas Connection with Stainless Steel Flex Connector



Hold gas nipple securely with pipe wrench when attaching the flex gas connector.


Failure to follow these instructions can result in product damage.



Description	Part Number
1/2" Flex Gas Line	91412200
3/4" Flex Gas Line	91412203

WIRING

⚠ WARNING



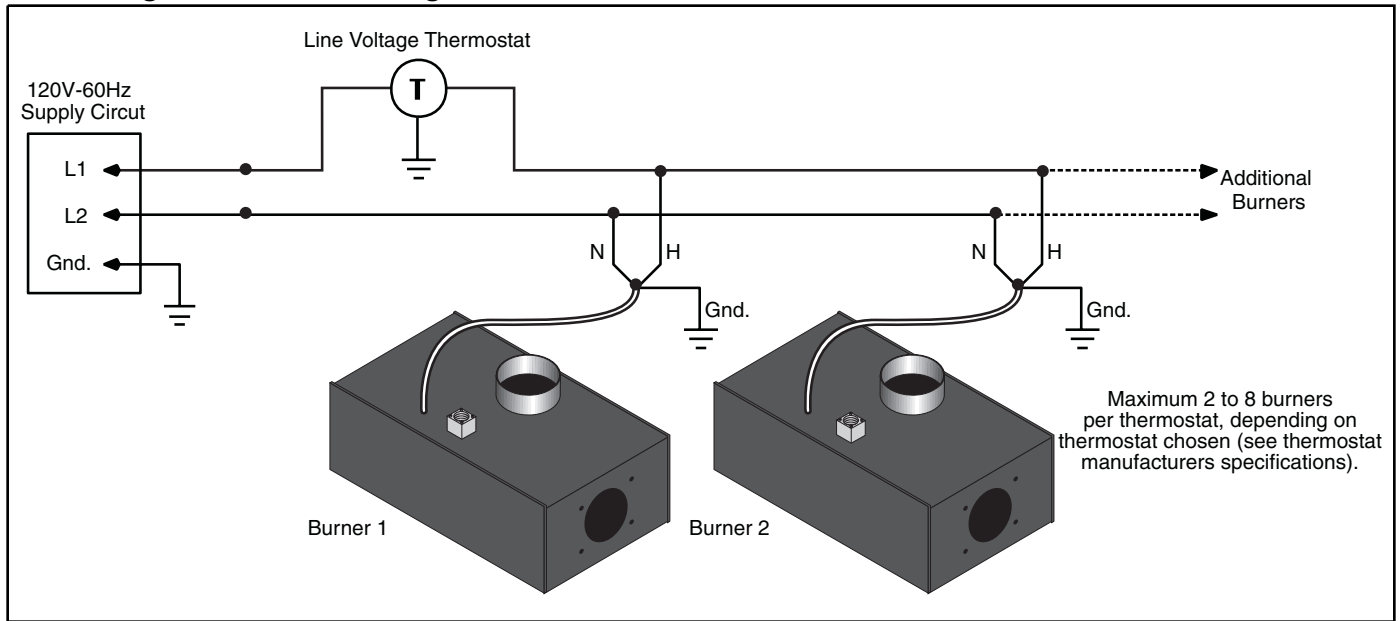
Electrical Shock Hazard

Disconnect electrical power and gas supply before servicing.


This appliance must be connected to a properly grounded electrical source.

Failure to follow these instructions can result in death or electrical shock.

Line Voltage Thermostat Wiring



⚠ WARNING



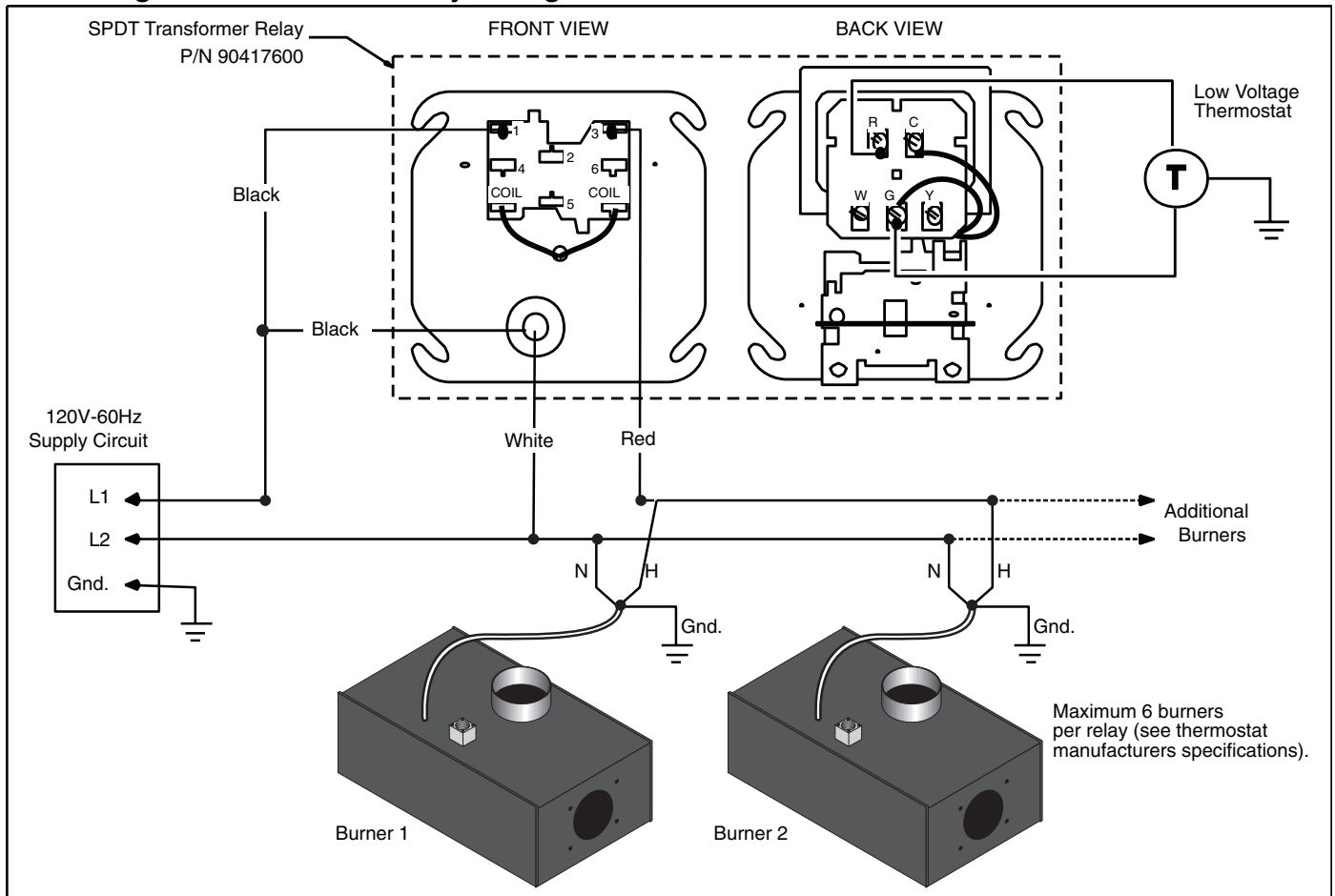
Electrical Shock Hazard

Disconnect electrical power and gas supply before servicing.

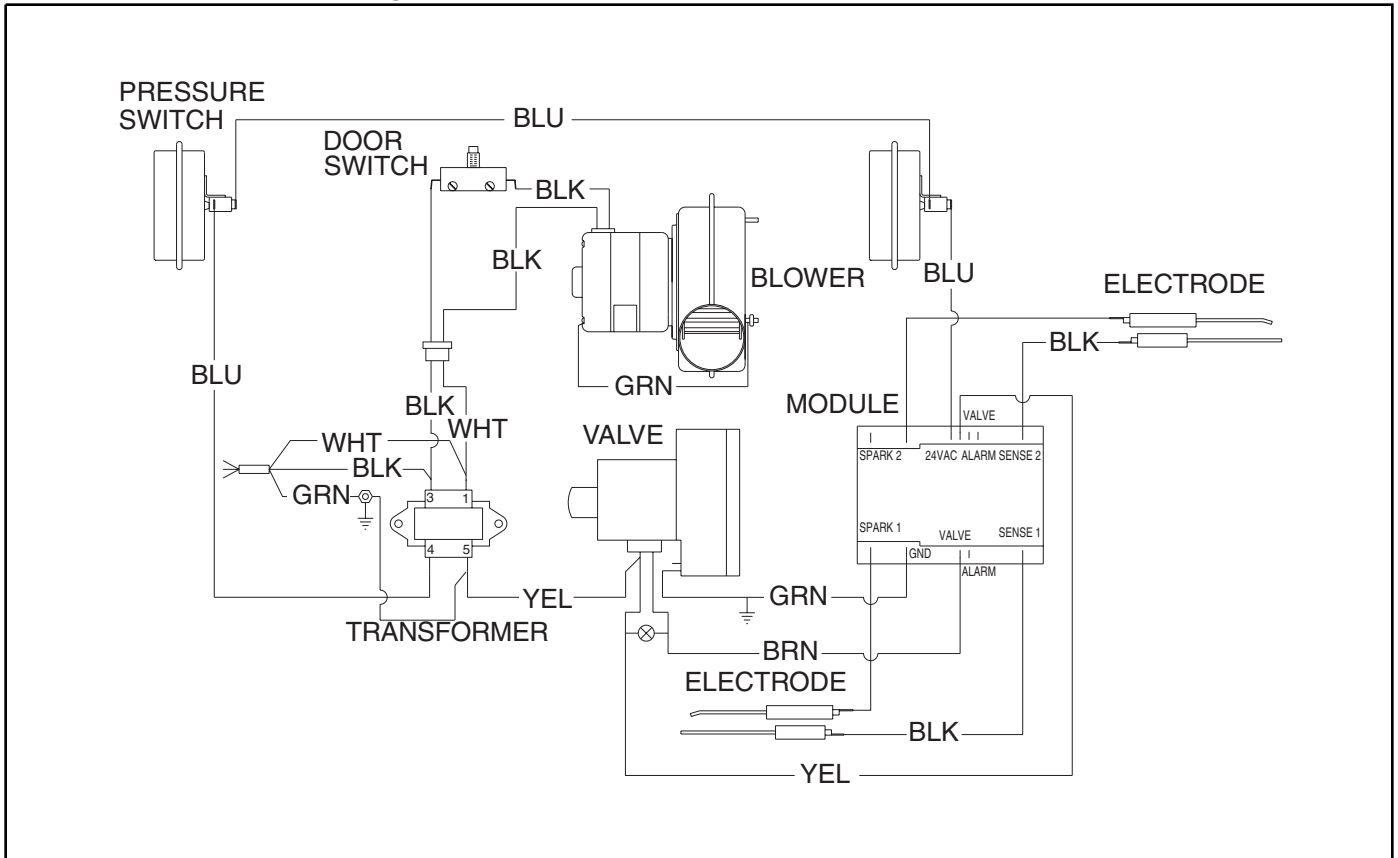
This appliance must be connected to a properly grounded electrical source.

Failure to follow these instructions can result in death or electrical shock.

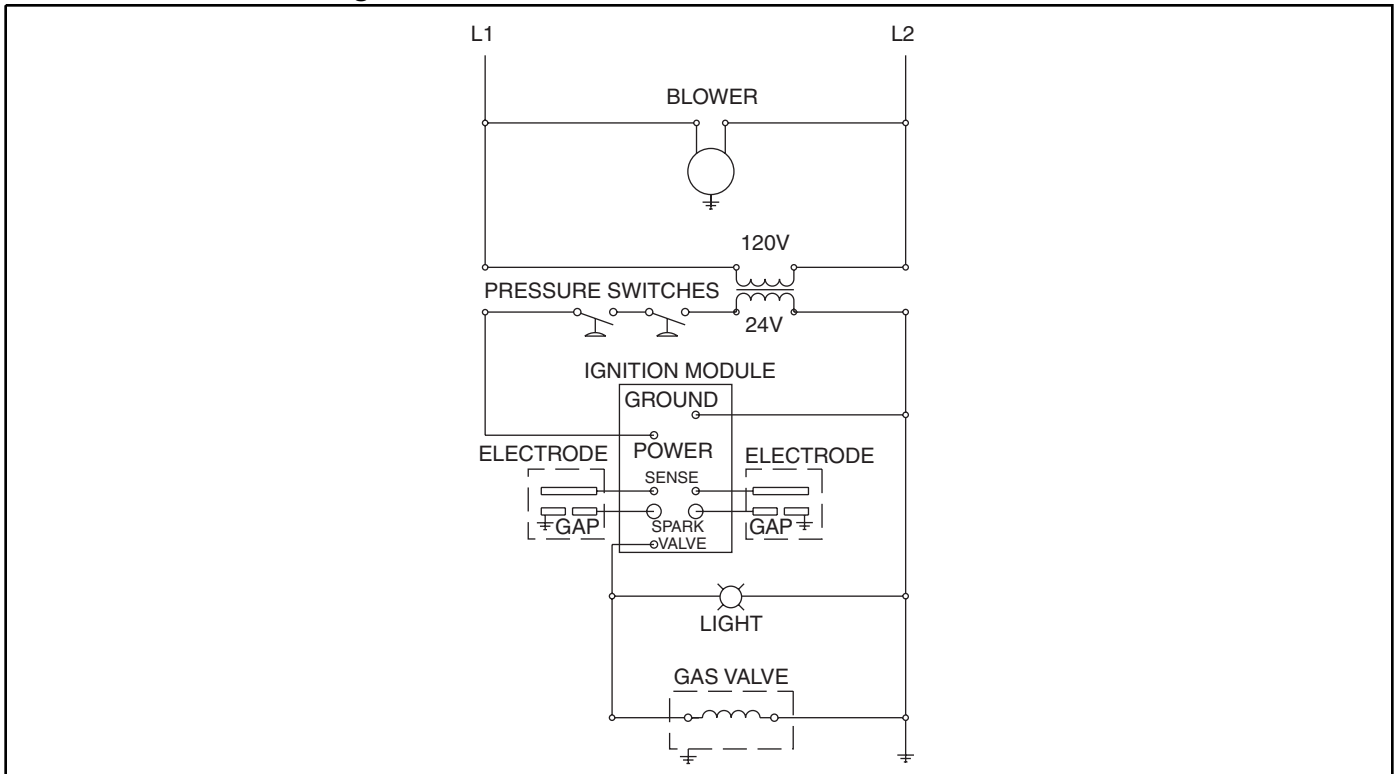
Low Voltage Thermostat and Relay Wiring



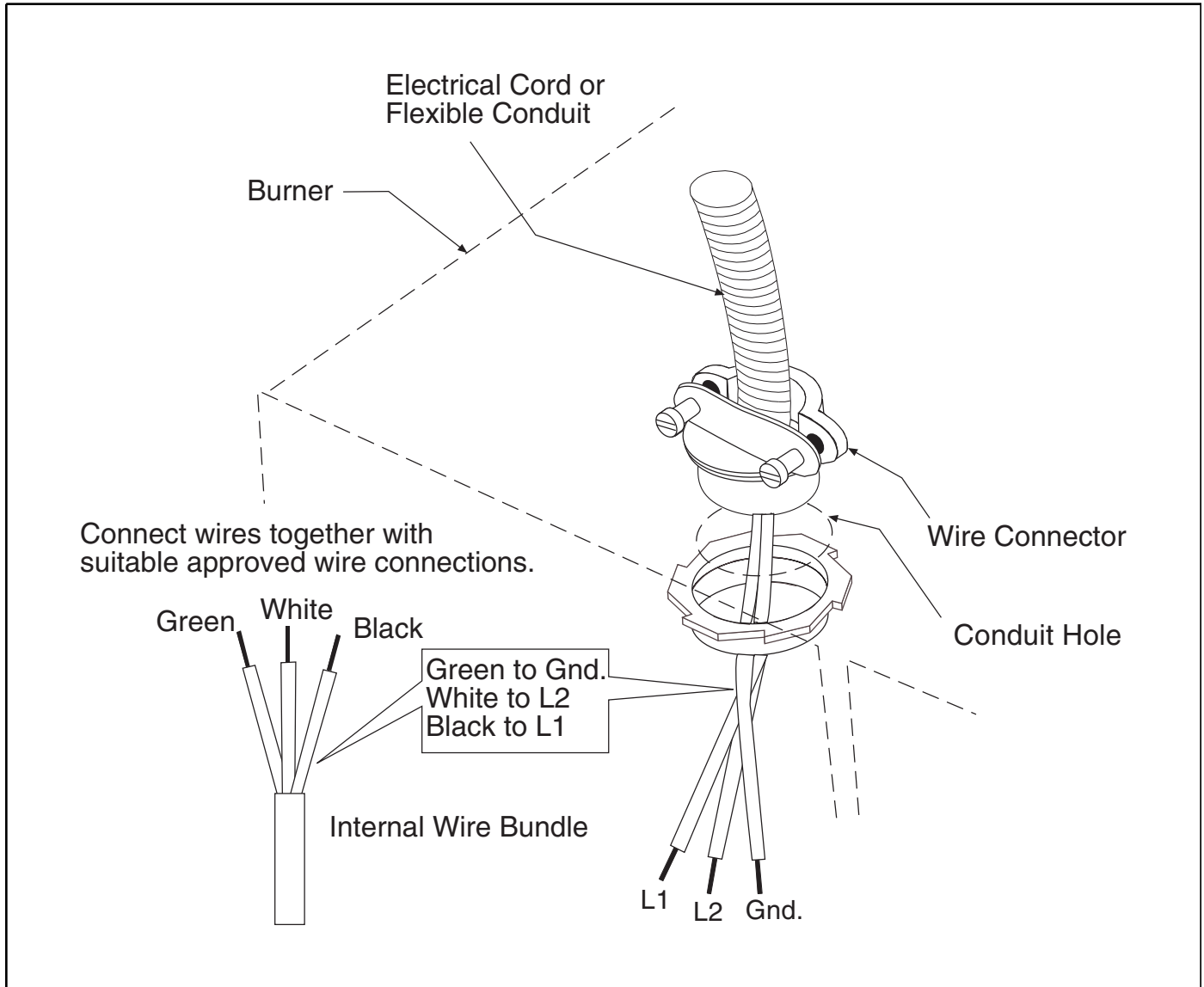
0.1 TF-Series Internal Wiring



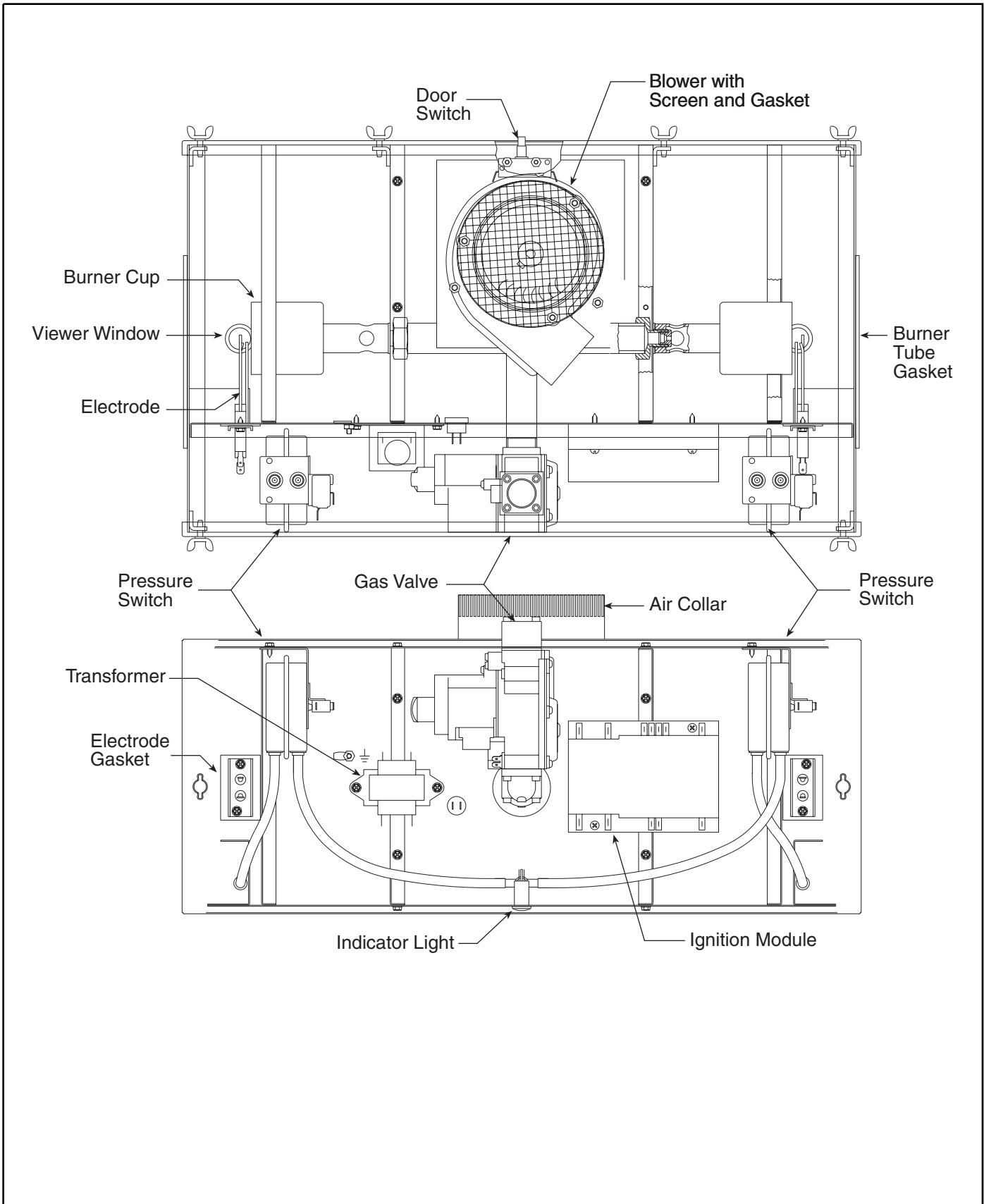
0.2 TF-Series Ladder Diagram



Electrical Connection to the Burner



INTERNAL BURNER DIAGRAM



THE ROBERTS GORDON® VANTAGE® TF LIMITED WARRANTY

ROBERTS-GORDON WILL PAY FOR:

Within 42 months from date of shipment from Roberts-Gordon, replacement parts will be provided free of charge for any part of the controller which fails due to a manufacturing or material defect.

Roberts-Gordon will require the part in question to be returned to the factory. Roberts-Gordon will, at its sole discretion, repair or replace after determining the nature of the defect and disposition of part in question.

ROBERTS GORDON® Replacement Parts are warranted for a period of 18 months from date of shipment from Roberts-Gordon or the remaining ROBERTS GORDON® VANTAGE® TF warranty.

ROBERTS-GORDON WILL NOT PAY FOR:

Service trips, service calls and labor charges.

Shipment of replacement parts.

Claims where the total price of the goods have not been paid.

Damage due to:

- Improper installation, operation or maintenance.
- Misuse, abuse, neglect, or modification of the ROBERTS GORDON® VANTAGE® TF in any way.
- Use of the ROBERTS GORDON® VANTAGE® TF for other than its intended purpose.
- Incorrect gas or electrical supply, accident, fire, floods, acts of God, war, terrorism, or other casualty.
- Improper service, use of replacement parts or accessories not specified by Roberts-Gordon.
- Failure to install or maintain the ROBERTS GORDON® VANTAGE® TF as directed in the Installation, Operation and Service manual.
- Relocation of the ROBERTS GORDON® VANTAGE® TF after initial installation
- The use of the ROBERTS GORDON® VANTAGE® TF in a corrosive atmosphere containing contaminants.
- The use of the ROBERTS GORDON® VANTAGE® TF in the vicinity of a combustible or explosive material.
- Any defect in the ROBERTS GORDON® VANTAGE® TF arising from a drawing, design, or specification supplied by or on behalf of the consumer.
- Damage incurred during shipment. Claim must be filed with carrier.

WARRANTY IS VOID IF:

The ROBERTS GORDON® VANTAGE® TF is not installed by an contractor qualified in the installation and service of gas-fired heating equipment.

You cannot prove original purchase date and required annual maintenance history.

The data plate and/or serial number are removed, defaced, modified or altered in any way.

The ownership of the ROBERTS GORDON® VANTAGE® TF is moved or transferred. This warranty is nontransferable.

Roberts-Gordon is not permitted to inspect the damaged controller and/or component parts.

READ YOUR INSTALLATION, OPERATION AND SERVICE MANUAL

If you have questions about your controller, contact your installing professional. Should you need Replacement Parts or have additional questions, call or write Roberts-Gordon:

U.S.A.

1250 William Street
P.O. Box 44
Buffalo, New York 14240-0044
716.852.4400

Canada

76 Main Street West, Unit 10
Grimsby, Ontario L3M 1R6
905.945.5403

On the web at: www.rg-inc.com

Roberts-Gordon's liability, and your exclusive remedy, under this warranty or any implied warranty (including the implied warranties of merchantability and fitness for a particular purpose) is limited to providing replacement parts during the term of this warranty.

Some jurisdictions do not allow limitations on how long an implied warranty lasts, so this limitation may not apply to you. There are no rights, warranties or conditions, expressed or implied, statutory or otherwise, other than those contained in this warranty.

Roberts-Gordon shall in no event be responsible for incidental or consequential damages or incur liability for damages in excess of the amount paid by you for the ROBERTS GORDON® VANTAGE® TF. Some jurisdictions do not allow the exclusion or limitation of incidental or consequential damages, so this limitation or exclusion may not apply to you. This warranty gives you specific legal rights, and you may also have other rights which vary from jurisdiction to jurisdiction.

Roberts-Gordon shall not be responsible for failure to perform under the terms of this warranty if caused by circumstances out of its control, including but not limited to war, fire, flood, strike, government or court orders, acts of God, terrorism, unavailability of supplies, parts or power. No person is authorized to assume for Roberts-Gordon any other warranty, obligation or liability.

LIMITATIONS ON AUTHORITY OF REPRESENTATIVES:

No representative of Roberts-Gordon, other than an Executive Officer, has authority to change or extend these provisions. Changes or extensions shall be binding only if confirmed in writing by Roberts-Gordon's duly authorized Executive Officer.

Free Manuals Download Website

<http://myh66.com>

<http://usermanuals.us>

<http://www.somanuals.com>

<http://www.4manuals.cc>

<http://www.manual-lib.com>

<http://www.404manual.com>

<http://www.luxmanual.com>

<http://aubethermostatmanual.com>

Golf course search by state

<http://golfingnear.com>

Email search by domain

<http://emailbydomain.com>

Auto manuals search

<http://auto.somanuals.com>

TV manuals search

<http://tv.somanuals.com>