



Universal CPU Cooler

RF-UPCUWR

User Guide



Universal CPU Cooler

Contents

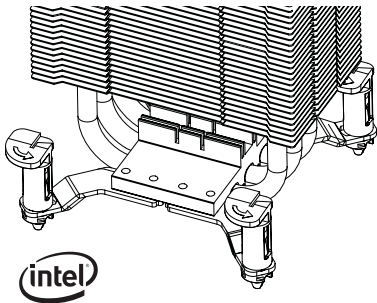
| | |
|--|----|
| Important safety instructions | 3 |
| Features..... | 4 |
| Package contents..... | 7 |
| Installing the cooler | 8 |
| Installing on an LGA 775/1156 platform | 8 |
| Installing on an AMD platform..... | 11 |
| Specifications..... | 15 |
| One-year limited warranty | 17 |

Important safety instructions

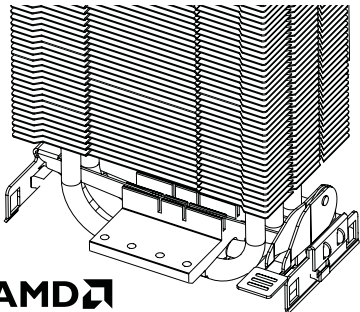
- 1 Read these instructions.
- 2 Keep these instructions.
- 3 Heed all warnings.
- 4 Follow all instructions.
- 5 Do not use this apparatus near water.
- 6 Do not block any ventilation openings. Install in accordance with the manufacturer's instructions.
- 7 Only use attachments/accessories specified by the manufacturer.
- 8 The cooler is designed for computer usage only. Using the cooler in any other application will void the warranty.
- 9 If you are not familiar with computer hardware installation, see a qualified computer technician.

Features

Compatible with Intel Socket LGA
775/1156

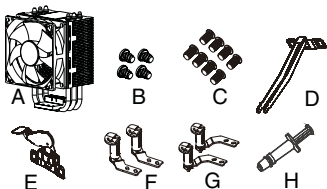


**Compatible with AMD Socket
754/939/940/AM2/AM**



- Silent CPU cooler at only 18 dBA(at 800 rpm)
- Maximum compatible CPU wattage: over 130 W TDP
- Three direct-contact heat-pipes with aluminum fins to provide excellent heat dissipation
- Option for adding second fan to increase cooling performance
- 92 mm PWM fan with distinguished blade shape and anti-vibration rubber pads
- Easily swappable fan using clips
- Flexible mountings

Package contents



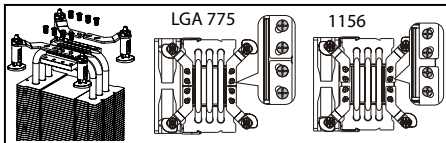
| Item | Description | Quantity |
|----------|------------------------------|----------|
| A | Cooler | 1 |
| B | Screws (a) | 4 |
| C | Screws (b) | 8 |
| D | K8/AM2 retention plate (A) | 1 |
| E | K8/AM2 retention plate (B) | 1 |
| F | 775/1156 retention plate (1) | 2 |
| G | 775/1156 retention plate (2) | 1 |
| H | Thermal grease | 1 |

Installing the cooler

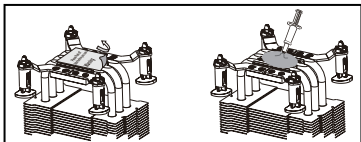
Installing on an LGA 775/1156 platform

To install the cooler:

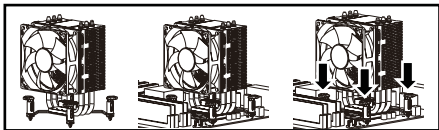
- 1 Make sure that you select the correct retention plate for your processor. See "Package contents" on page 7.
- 2 Assemble the retention plate.



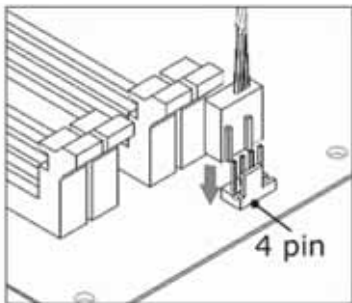
- 3 Remove the protective cover from the bottom of the cooler, then apply a small dab (about 1/2 the size of a pea) of thermal grease on the surface of the installed CPU. When the cooler is clamped to the processor, the grease will spread evenly to form a thin layer.



- 4 Place the cooler on the CPU, then press the push pins into place two at a time.



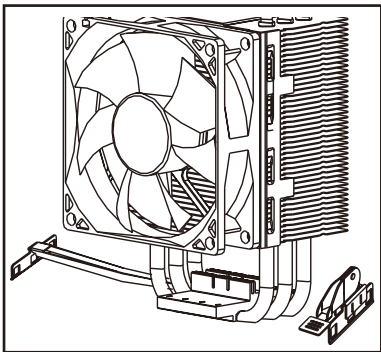
- 5 Connect the fan power cable. The following graphic is for reference only. Refer to the documentation for your system board for the location of the power connector.



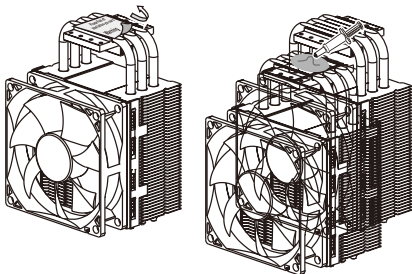
Installing on an AMD platform

To install the cooler:

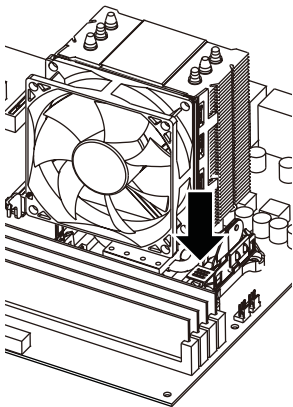
- 1 Make sure that you select the correct retention plate for your processor. See "Package contents" on page 7.
- 2 Assemble the retention plate.



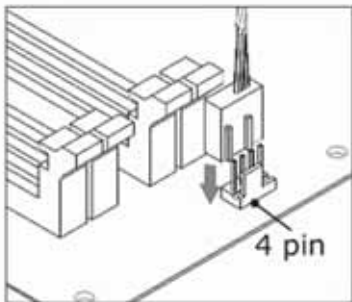
- 3 Remove the protective cover from the bottom of the cooler, then apply a small dab (about 1/2 the size of a pea) of thermal grease on the surface of the installed CPU. When the cooler is clamped to the processor, the grease will spread evenly to form a thin layer.



- 4 Place the cooler on the CPU, then push the lever down to secure the plate.



- 5 Connect the fan power cable. The following graphic is for reference only. Refer to the documentation for your system board for the location of the power connector.



Specifications

| | |
|----------------------------|---|
| CPU socket | Intel socket LGA775/1156 AMD socket 754/939/940/AM2/AM3 |
| CPU support | Intel Core 2/Pentium/Celeron AMD Phenom II/Phenom/Athlon/Sempron |
| Heatsink dimensions | 3.54 × 2.01 × 5.44 inches (90 × 51 × 139 mm) |
| Heatsink material | Aluminum fin |
| Heatpipes | 3 |
| Fan dimensions | 3.62 × 3.62 × 0.98 inches (92 × 92 × 25 mm) |
| Fan speed | 800 - 2800 rpm (PWM) |
| Fan airflow | 15.7 - 54.8 CFM |
| Fan air pressure | 0.35 - 4.27 mmH2O |
| Fan life expectancy | 40,000 hours |
| Bearing type | Long life sleeve bearing |
| Voltage rating | 12 V |
| Connector | 4-pin |
| Noise level | 17-35 dBA |
| Weight | 16.58 ounces (470 g) |

One-year limited warranty

Rocketfish Products ("Rocketfish") warrants to you, the original purchaser of this new **RF-UPCUWR** ("Product"), that the Product shall be free of defects in the original manufacture of the material or workmanship for one (1) year from the purchase of the Product ("Warranty Period"). This Product must be purchased from an authorized dealer of Rocketfish brand products and packaged with this warranty statement. This warranty does not cover refurbished Product. If you notify Rocketfish during the Warranty Period of a defect covered by this warranty that requires service, terms of this warranty apply.

How long does the coverage last?

The Warranty Period lasts for one year (365 days), beginning on the date you purchased the Product. The purchase date is printed on the receipt you received with the product.

What does this warranty cover?

During the Warranty Period, if the original manufacture of the material or workmanship of the Product is determined to be defective by an authorized Rocketfish repair center or store personnel, Rocketfish will (at its sole option): (1) repair the Product with new or rebuilt parts; or (2) replace the Product at no charge with new or rebuilt comparable products or parts. Products and parts replaced under this warranty become the property of Rocketfish and are not returned to you. If service of Products and parts are required after the Warranty Period expires, you must pay all labor and parts charges. This warranty lasts as long as you own your Rocketfish Product during the Warranty Period. Warranty coverage terminates if you sell or otherwise transfer the Product.

How to obtain warranty service?

If you purchased the Product at a retail store location, take your original receipt and the Product to the store you purchased it from. Make sure that you place the Product in its original packaging or packaging that provides the same amount of protection as the original packaging. If you purchased the Product from an online web site, mail your original receipt and the Product to the address listed on the web site. Make sure that you put the Product in its original packaging or packaging that provides the same amount of protection as the original packaging.

Where is the warranty valid?

This warranty is valid only to the original purchaser of the Product in the United States, Canada, and Mexico.

What does the warranty not cover?

This warranty does not cover:

- Customer instruction
- Installation
- Set up adjustments
- Cosmetic damage
- Damage due to acts of God, such as lightning strikes
- Accident

- Misuse
- Abuse
- Negligence
- Commercial use
- Modification of any part of the Product, including the antenna

This warranty also does not cover:

- Damage due to incorrect operation or maintenance
- Connection to an incorrect voltage supply
- Attempted repair by anyone other than a facility authorized by Rocketfish to service the Product
- Products sold as is or with all faults
- Consumables, such as fuses or batteries
- Products where the factory applied serial number has been altered or removed

REPAIR REPLACEMENT AS PROVIDED UNDER THIS WARRANTY IS YOUR EXCLUSIVE REMEDY.

ROCKETFISH SHALL NOT BE LIABLE FOR ANY INCIDENTAL OR CONSEQUENTIAL DAMAGES FOR THE BREACH OF ANY EXPRESS OR IMPLIED WARRANTY ON THIS PRODUCT, INCLUDING, BUT NOT LIMITED TO, LOST DATA, LOSS OF USE OF YOUR PRODUCT, LOST BUSINESS OR LOST PROFITS. ROCKETFISH PRODUCTS MAKES NO OTHER EXPRESS WARRANTIES WITH RESPECT TO THE PRODUCT, ALL EXPRESS AND IMPLIED

WARRANTIES FOR THE PRODUCT, INCLUDING, BUT NOT LIMITED TO, ANY IMPLIED WARRANTIES OF AND CONDITIONS OF MERCHANTABILITY AND FITNESS FOR A PARTICULAR PURPOSE, ARE LIMITED IN DURATION TO THE WARRANTY PERIOD SET FORTH ABOVE AND NO WARRANTIES, WHETHER EXPRESS OR IMPLIED, WILL APPLY AFTER THE WARRANTY PERIOD. SOME STATES, PROVINCES AND JURISDICTIONS DO NOT ALLOW LIMITATIONS ON HOW LONG AN IMPLIED WARRANTY LASTS, SO THE ABOVE LIMITATION MAY NOT APPLY TO YOU. THIS WARRANTY GIVES YOU SPECIFIC LEGAL RIGHTS, AND YOU MAY ALSO HAVE OTHER RIGHTS, WHICH VARY FROM STATE TO STATE OR PROVINCE TO PROVINCE.

Contact Rocketfish:

For customer service please call 1-800-620-2790
www.rocketfishproducts.com

Distributed by Best Buy Purchasing, LLC
7601 Penn Avenue South, Richfield, Minnesota,
U.S.A. 55423-3645

© 2009 Best Buy Enterprise Services, Inc.

All rights reserved. ROCKETFISH is a trademark of Best Buy Enterprise Services, Inc. Registered in some countries. All other products and brand names are trademarks of their respective owners.

www.rocketfishproducts.com

(800) 620-2790

Distributed by Best Buy Purchasing, LLC
7601 Penn Avenue South, Richfield, MN 55423-3645 USA
© 2009 Best Buy Enterprise Services, Inc.

All rights reserved. ROCKETFISH is a trademark of Best Buy Enterprise Services, Inc.

All other products and brand names are trademarks of their respective owners.



09-0622
ENGLISH

Free Manuals Download Website

<http://myh66.com>

<http://usermanuals.us>

<http://www.somanuals.com>

<http://www.4manuals.cc>

<http://www.manual-lib.com>

<http://www.404manual.com>

<http://www.luxmanual.com>

<http://aubethermostatmanual.com>

Golf course search by state

<http://golfingnear.com>

Email search by domain

<http://emailbydomain.com>

Auto manuals search

<http://auto.somanuals.com>

TV manuals search

<http://tv.somanuals.com>