

# WirelessHD® Adapter



## Important safety information

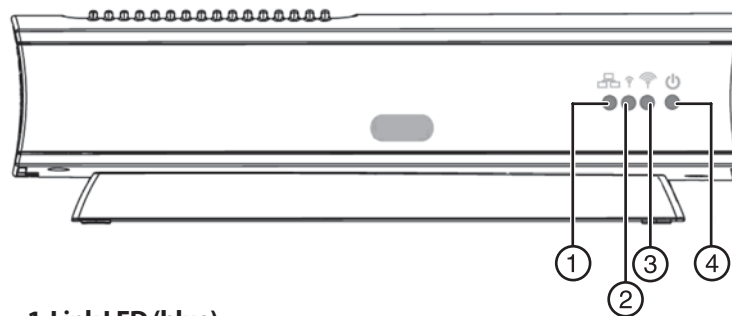
This guide contains important safety instructions. Read and follow all instructions carefully while installing and using the adapter. Read this guide thoroughly before trying to unpack, install, or use your adapter. Save these instructions in a readily accessible place.

- **Caution:** Always treat your adapter with care and keep it in a clean and dust-free place.
- Do not expose your adapter to liquid or moisture or humidity.
- Do not expose your adapter to temperatures above 104°F (40°C) when unit is operated.
- Do not drop or throw your adapter.
- Do not attempt to disassemble or modify your adapter. Only authorized personnel should perform service.
- Your adapter is not water-resistant. Keep it dry.
- Do not use a different AC adapter to avoid unit burn or smoke.

## Package contents

- 60 GHz WirelessHD transmitter
- 60 GHz WirelessHD receiver
- HDMI cables (2)
- Power adapters (2)
- Base mounting brackets (2)
- Quick Setup Guide

## Transmitter and receiver front panels



### 1 Link LED (blue)

On—Indicates the receiver is linked to the transmitter.  
Off—Indicates devices are not linked. Reset both devices.  
Blinking—Waiting for a link.

### 2 Weak LED (green)

On—Indicates the signal is weak. (The Strong LED will be off.)  
Off—Indicates there is no link or no signal.

### 3 Strong LED (green)

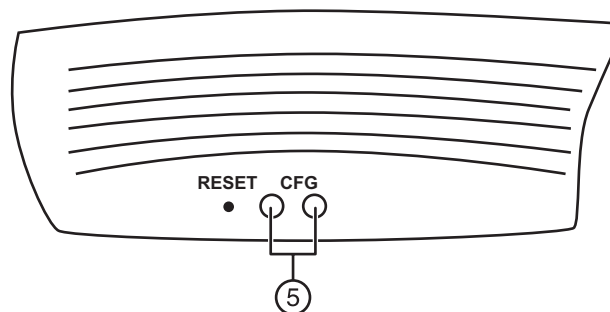
On—Indicates the signal is strong. (The Weak LED will be on.)  
Off—Indicates the signal is weak. (The Weak LED will be on.)

**Warning:** If all four LEDs are blinking at the same time, the internal cooling fan is not working. Turn off the adapter and contact Rocketfish customer service.

### 4 Power indicator

On—Indicates power is connected and turned on.  
Off—Indicates power is turned off.

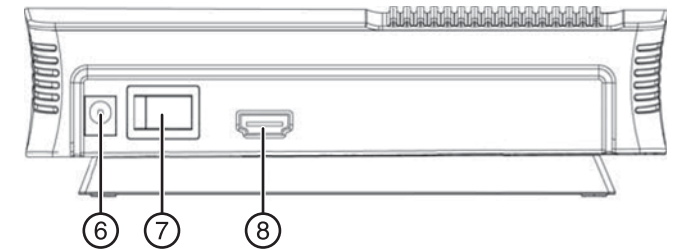
## Side panel



### 5 RESET AND CFG

These buttons are for service at the factory only, please do not press them.  
Download from [www.Somanuals.com](http://www.Somanuals.com). All Manuals Search And Download.

## Transmitter and receiver back panels



### 6 DC-IN

Connect the power adapter to this jack and to a power outlet.

### 7 Power switch

Press the Power switch to turn the unit on.

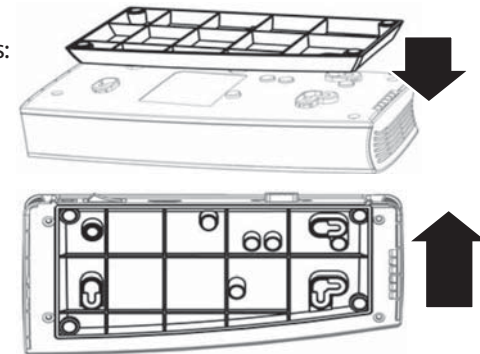
### 8 HDMI

Used to connect the HDMI cables from the source component to the transmitter, and from the receiver to the TV/Projector.

## Setting up

To attach the base stands:

- 1 Align the holes on the base stand with the mounting tabs on the bottom of the transmitter or receiver.
- 2 Press the stand down, then slide it to the left so the tabs hold the stand in place.



To connect the transmitter and receiver:

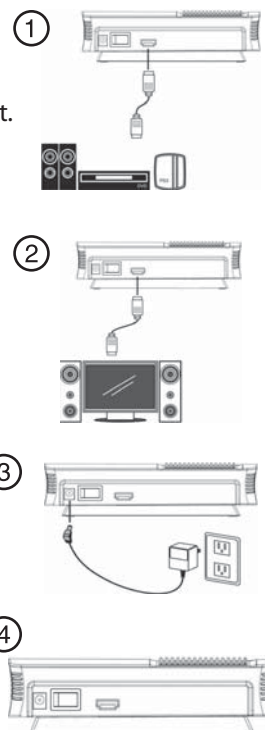
- 1 Connect one HDMI cable from the output of the source component (Blu-ray/DVD player, Gaming console, Computer, etc.) to the input on the back of the transmitter unit.

**Note:** The transmitter can be used in conjunction with Rocketfish model RF-HDMI4, 4-way HDMI Selector, to send HD signals wirelessly from up to four source components.

- 2 Connect the other HDMI cable from the output on the back of the receiver unit to an available HDMI input on the HDTV or HD Projector.

- 3 Connect the power cords to the **DC IN** jacks on the transmitter and receiver and to a power outlet.

- 4 Turn on the connected devices, then press the power switches on the transmitter and receiver to the **ON** position.



## Positioning the transmitter and receiver

For best results, the transmitter and receiver should:

- Face each other within the same room
- Be no more than 33 feet (10 meters) apart
- Be on the same level (one should not be higher than the other)
- In open spaces (not in a cabinet or an enclosed shelf)

**Note:** If you begin to see your video breaking up, try repositioning the device providing the transmitter as many open paths to the receiver as possible.

## Specifications

Standards	WirelessHD, HDMI
Frequency	60 GHz
Input/Output interface	HDMI interface
Antenna Type	36 antenna array (integrate ceramic)
Range	33 feet (10 meters) indoors
AV Port	1 HDMI port (for both the transmitter and receiver)
Physical Specifications	Stand weight: 1.29 oz. ±0.18 oz. (36.7 g ±5 g) Device weight: 13.06 oz. ±0.35 oz. (369 g ±10 g)
Dimension: (L) x (H) x L R (W)	7.48 × 1.65 × 2.99 × 3.66 inches (190 × 42 × 76 × 93 mm)
Adapter Power	AC 90-230V @ 60Hz input, DC 12V 1.5A
LED Indicators	Transmitter: Four LEDs (power, pairing indicator, weak signal strength indicator, and strong signal strength indicator) Receiver: Four LEDs (power, pairing indicator, weak signal strength indicator, and strong signal strength indicator)
Operating Environment	Operating Temperature: 32° ~ 104°F (0° ~ 40°C) ambient temperature. Storage Temperature: -22° ~ 158°F (-30° ~ 70°C)
Humidity	Operating: 10% to 90% (Non-condensing) Storage: 5% to 90% (Non-condensing)

TV format	480i/480P/576i/576P/720P/1080i/1080P
PC resolution	Resolutions supported at 60 Hz refresh rate: 640 × 480, 800 × 600, 1024 × 768, and 1280 × 1024
Refresh rate compatibility	23.94 Hz/24 Hz/50 Hz/59.94 Hz/60 Hz
Audio resolution	32-192 KHz

## Legal notices

### FCC

#### Interference Statement

This device complies with Part 15 of the FCC Rules. Operation is subject to the following two conditions: (1) this device may not cause harmful interference, and (2) this device must accept any interference received, including interference that may cause undesired operation.

**NOTE:** This equipment has been tested and found to comply with the limits for a Class B digital device, pursuant to Part 15 of the FCC Rules. These limits are designed to provide reasonable protection against harmful interference in a residential installation. This equipment generates, uses, and can radiate radio frequency energy and, if not installed and used in accordance with the instructions, may cause harmful interference to radio communications.

In order to comply with FCC RF Exposure requirements, a separation distance of at least 20 cm must be maintained between the antenna and all persons.

However, there is no guarantee that interference will not occur in a particular installation. If this equipment does cause harmful interference to radio or television reception, which can be determined by turning the equipment off and on, the user is encouraged to try to correct the interference by one or more of the following measures:

- Reorient or relocate the receiving antenna.
- Increase the separation between the equipment and receiver.
- Connect the equipment into an outlet on a circuit different from that to which the receiver is needed.
- Consult the dealer or an experienced radio/TV technician for help.

#### ICES-003 and RSS-210

This Class B digital apparatus complies with Canadian ICES-003 and RSS-210. Operation is subject to the following two conditions: (1) this device may not cause interference, and (2) this device must accept any interference, including interference that may cause undesired operation of the device.

#### One-year limited warranty

Visit [www.rocketfishproducts.com](http://www.rocketfishproducts.com) for details.

© 2009 Best Buy Enterprise Services, Inc. Distributed by Best Buy Purchasing, LLC  
7601 Penn Avenue South, Richfield, MN USA 55423-3645

## Free Manuals Download Website

<http://myh66.com>

<http://usermanuals.us>

<http://www.somanuals.com>

<http://www.4manuals.cc>

<http://www.manual-lib.com>

<http://www.404manual.com>

<http://www.luxmanual.com>

<http://aubethermostatmanual.com>

Golf course search by state

<http://golfingnear.com>

Email search by domain

<http://emailbydomain.com>

Auto manuals search

<http://auto.somanuals.com>

TV manuals search

<http://tv.somanuals.com>