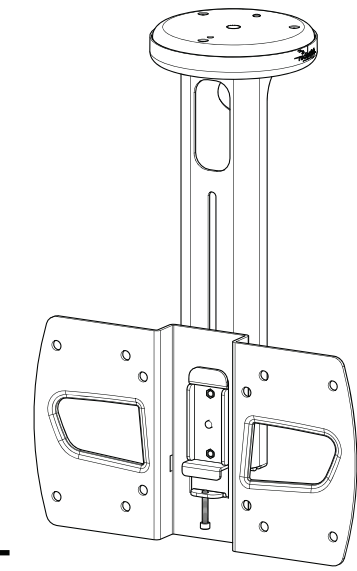


QUICK SETUP GUIDE

RF-TVMUC01



Thank you for choosing the Rocketfish RF-TVMUC01. The RF-TVMUC01 TV mount is designed to support a TV weighing up to 35 lbs. (15.9 kg).



Package contents

- A TV bracket (1)
- B Under cabinet mount (1)
- C Plate cover (1)
- D Cable cover (1)

Locking hardware

- E TV bracket screw (1)
- F 5/32 in. hex key (1)

M4 bag

- G M4 x 12 mm screws (4)

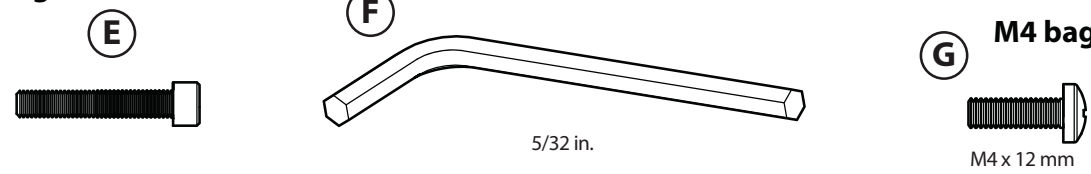
Mounting hardware

- H Cabinet mount screws (3)
10-24 x 5/8 in. phillips flat head screws
- I 3 prong T-nuts (3)

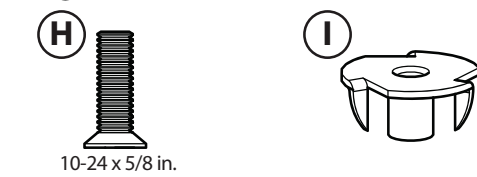
Wire ties

- J 8 in. Black Wire Ties (3)

Locking hardware



Mounting hardware



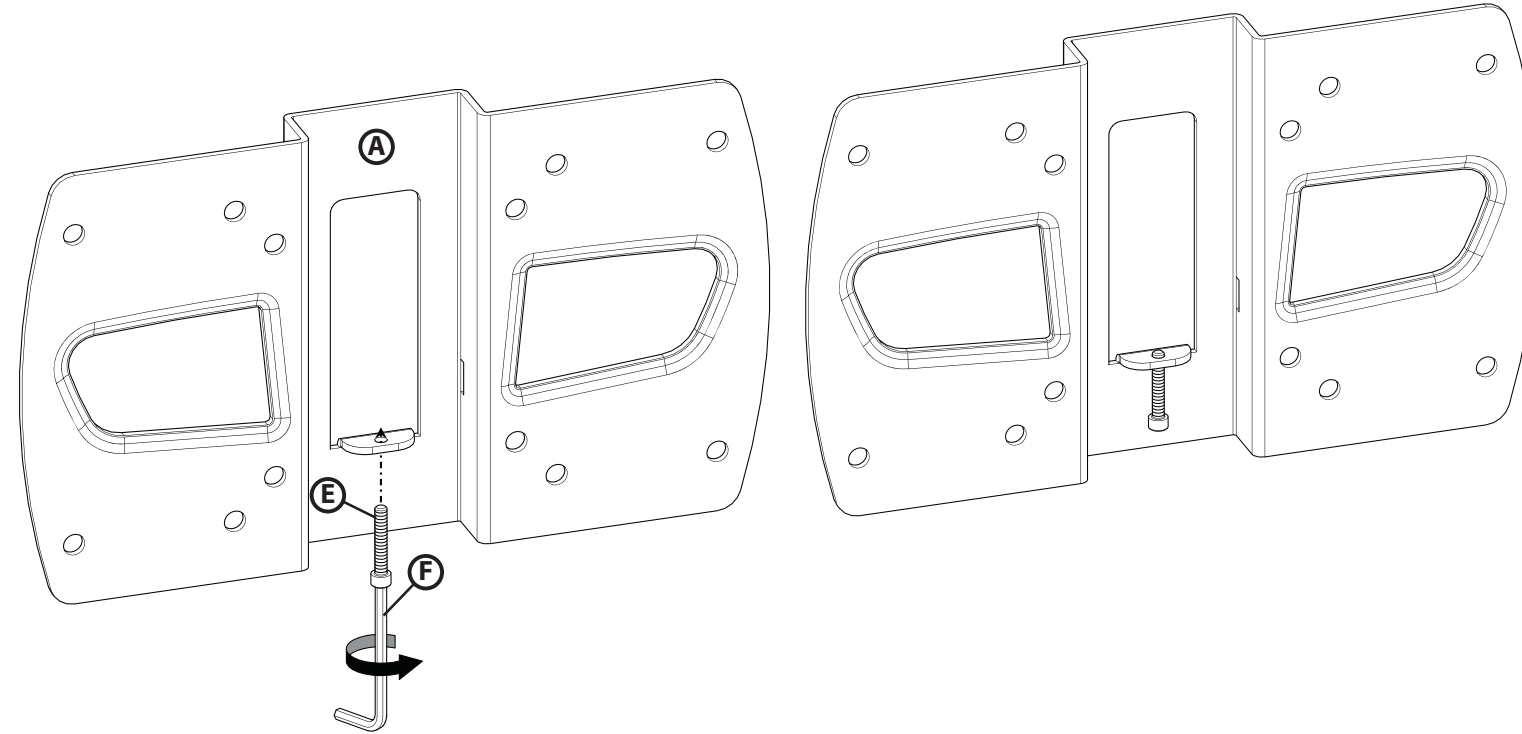
Wire ties



- Tools you will need:**
- Pencil
 - Phillips screwdriver
 - Hammer
 - 1/4 in. wood drill bit
 - Power drill

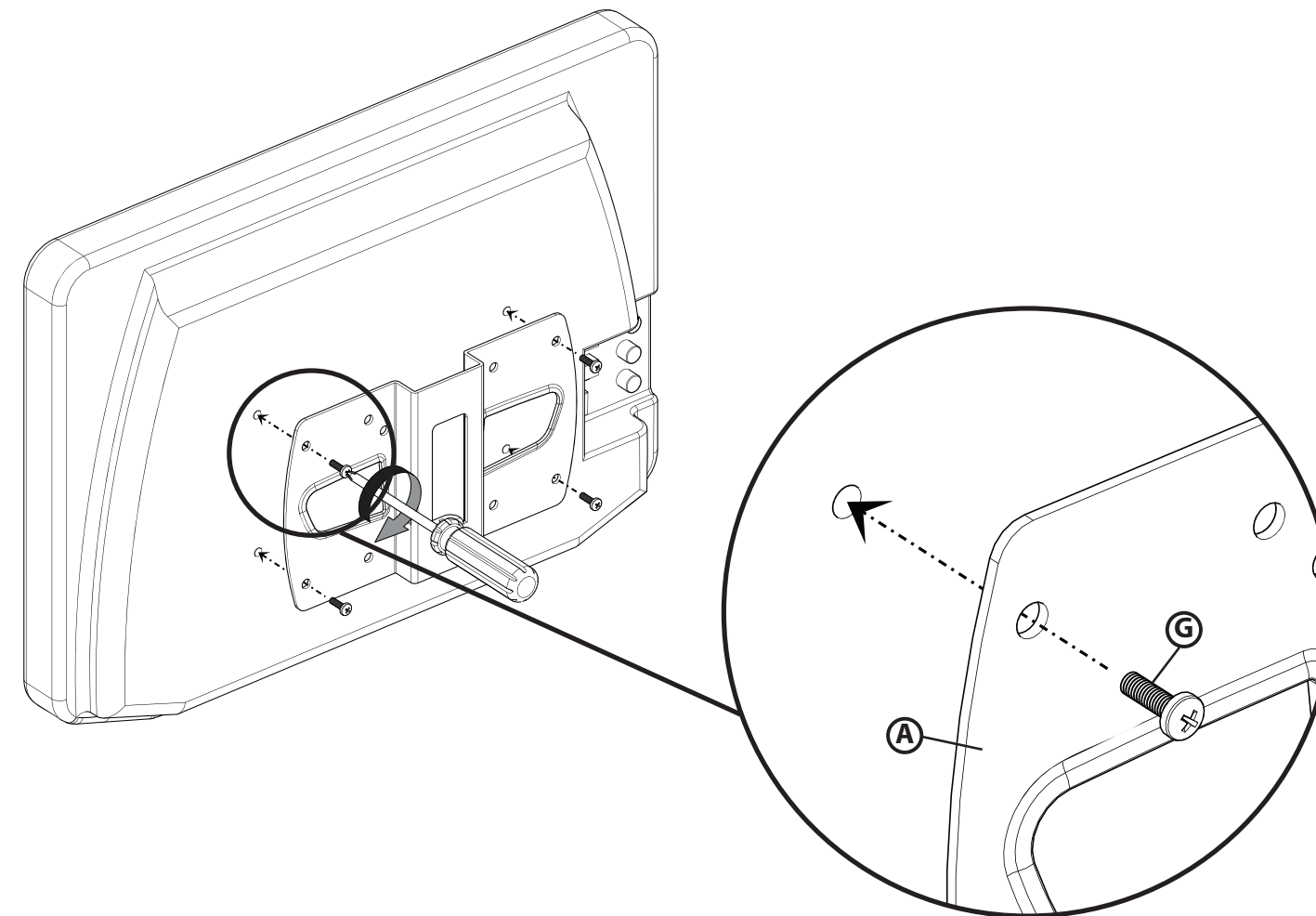
1: Install the locking screw

Screw the TV bracket locking screw (E) into the TV bracket (A) using the hex key (F). Do not screw in more than three or four turns.



2: Attach the TV bracket

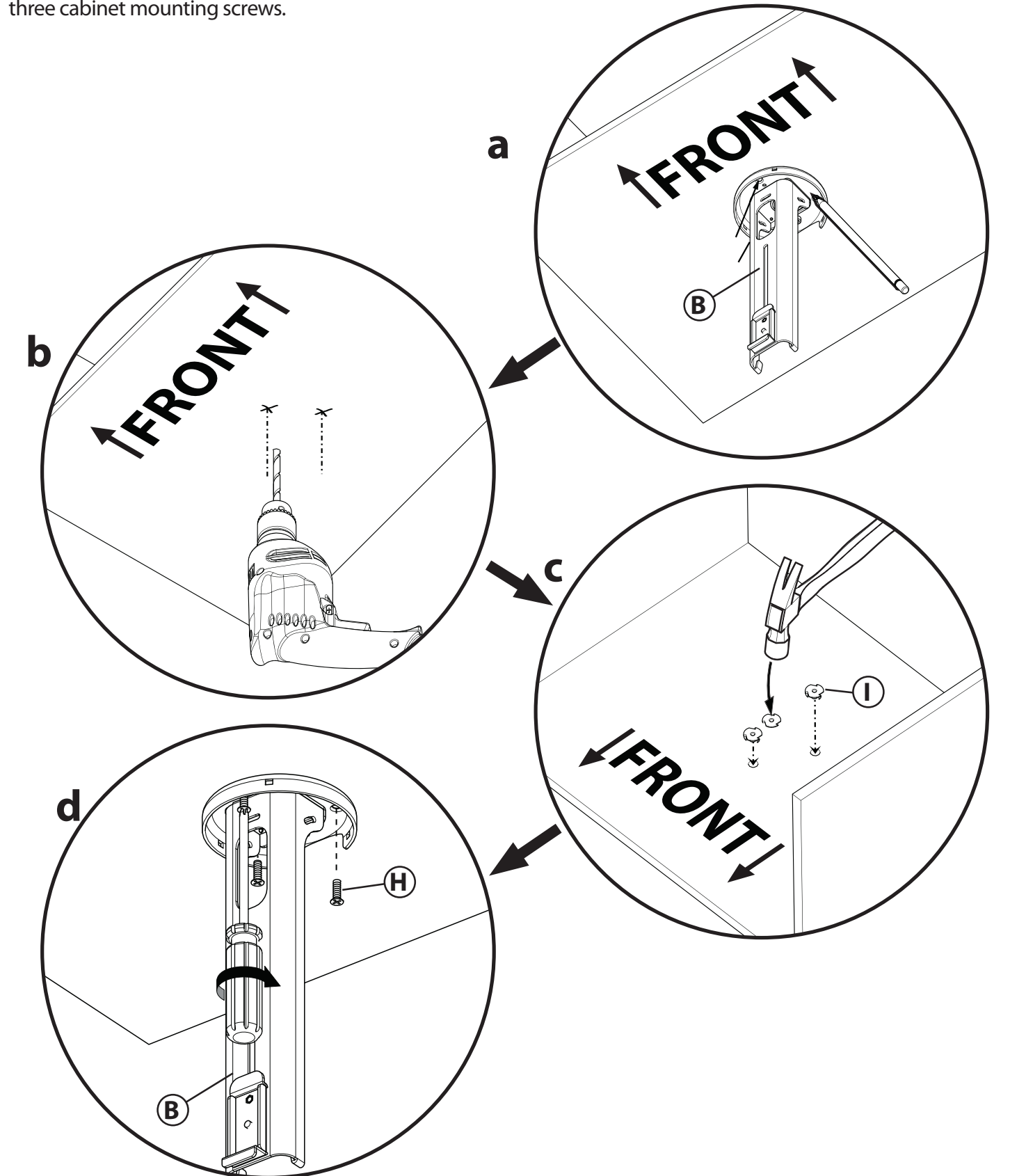
Attach the TV bracket (A) to the back of the TV using the four screws (G).



3: Install the under cabinet mount

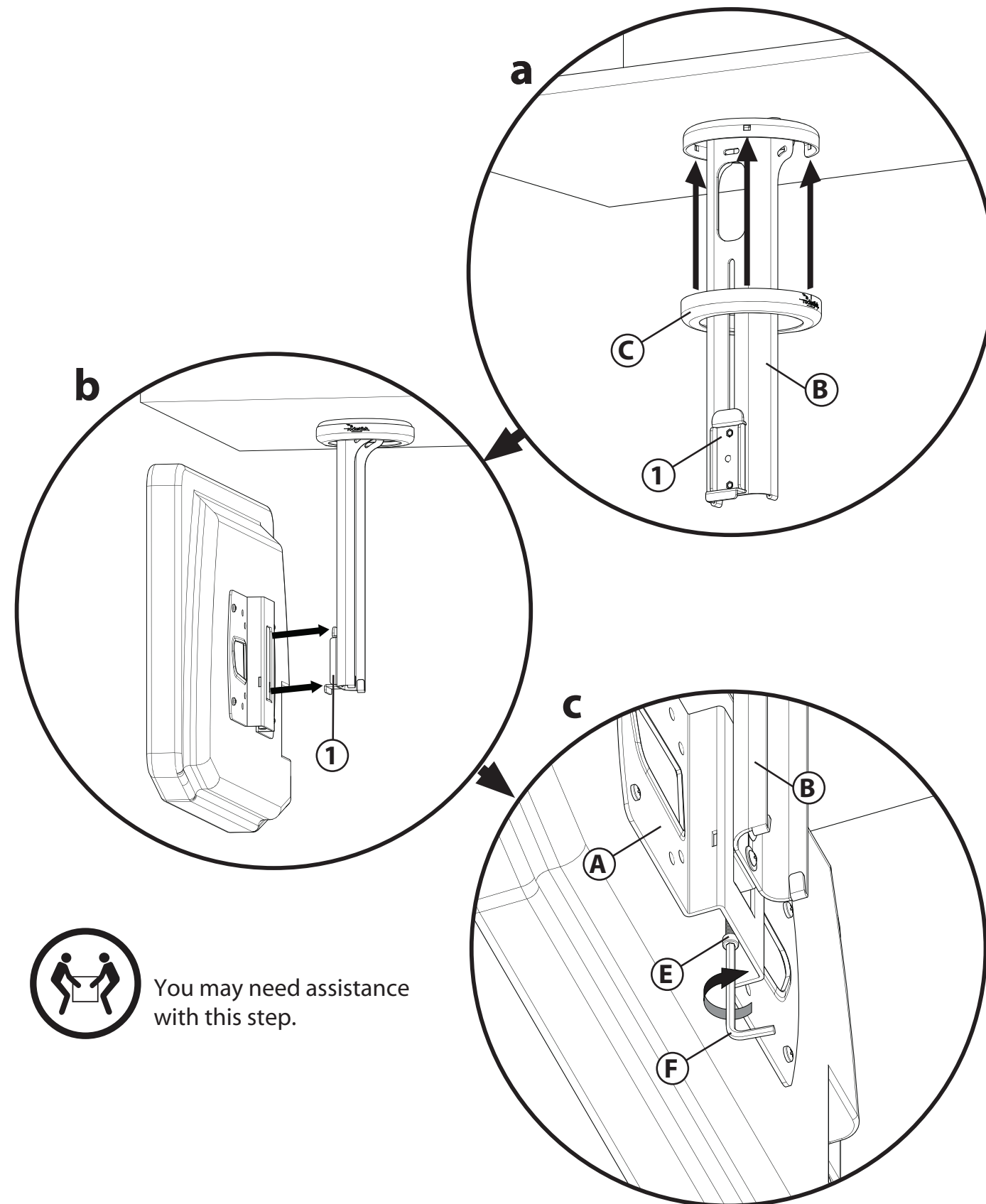
Note: Cabinet thickness must not be less than 7/16 in.

- a. Use the ceiling plate of the under cabinet mount (B) as a template to mark the hole locations.
- b. Drill holes through the bottom of the cabinet using a 1/4" drill bit.
- c. Tap the three 3-prong T-nuts (I) into the holes in the upper surface of the cabinet. Be careful not to damage cabinet surface.
- d. Attach the under cabinet mount (B) to the bottom surface of the cabinet using the three cabinet mounting screws.



4: Hang the TV on the under cabinet mount

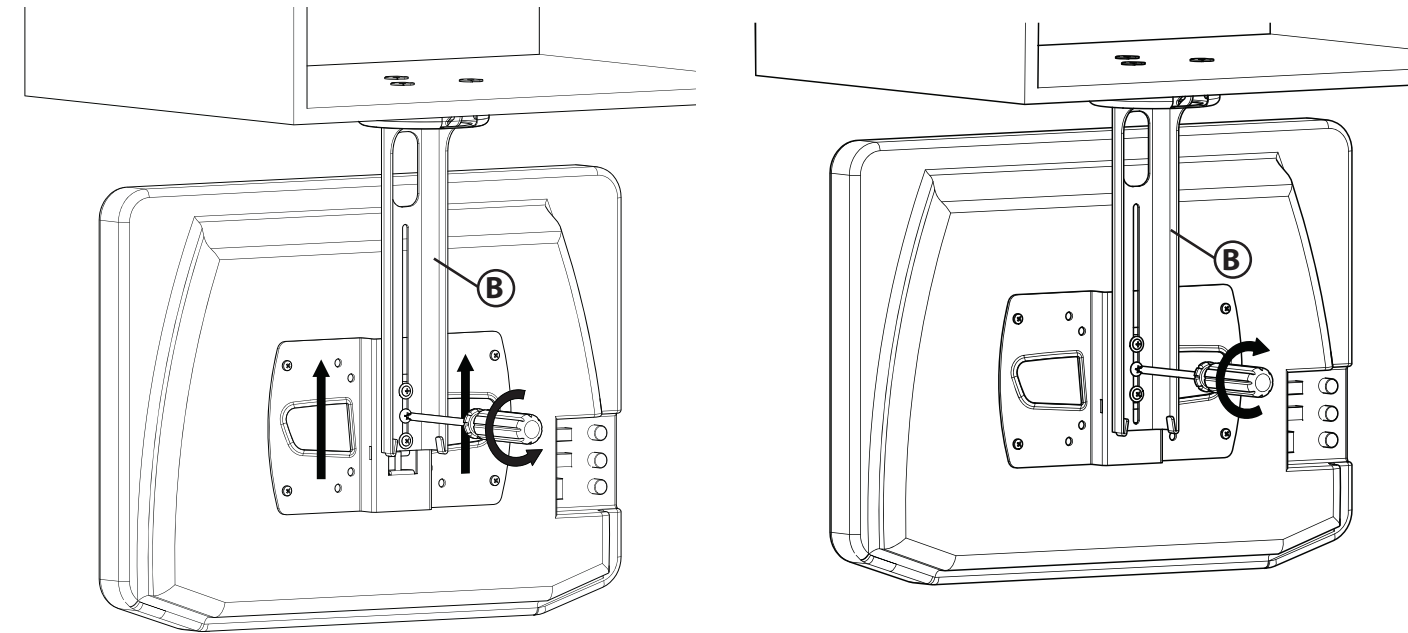
- Slide the plate cover (C) onto the under cabinet mount (B) until the cover tabs snap into the tab slots in the top plate.
- Hang the TV/TV bracket assembly onto the hanging plate (1) of the under cabinet mount (B).
- To secure the TV bracket (A) to the under cabinet mount (B) tighten the TV bracket screw (E) using the hex key (F).



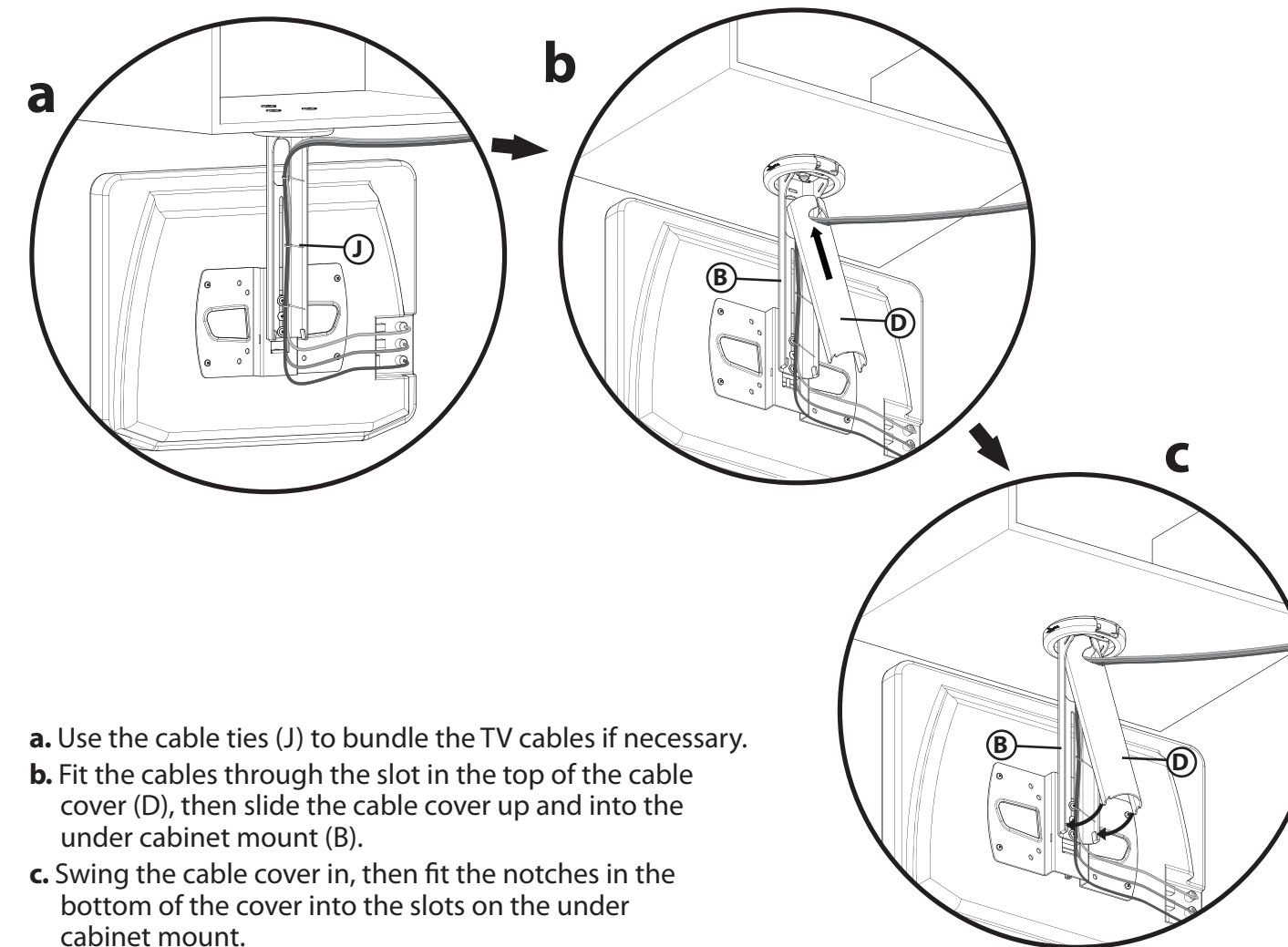
You may need assistance with this step.

5: Adjust the TV height

- Caution:** Carefully adjust the height of the TV on the under cabinet mount (B). Carefully loosen the center screw on the back side of the hanging plate, slide the TV to the height you want, then retighten the center screw.
- Caution:** Do not attempt to loosen or tighten the top and bottom screws on the hanging plate. **Only loosen the center screw to make adjustments.**



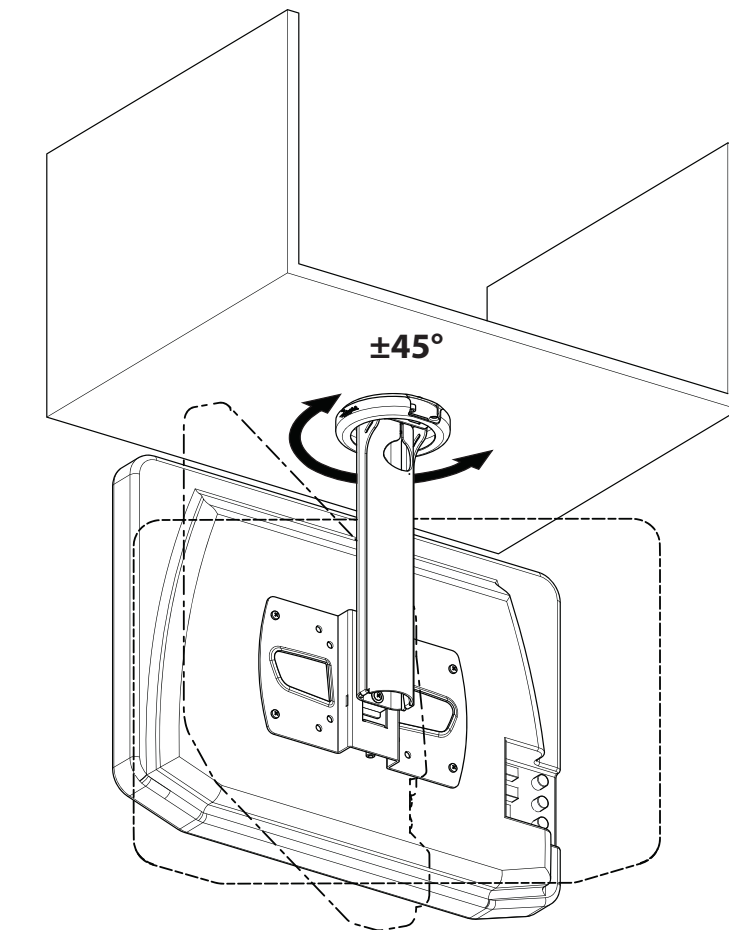
6: Attach the Cable Cover



- Use the cable ties (J) to bundle the TV cables if necessary.
- Fit the cables through the slot in the top of the cable cover (D), then slide the cable cover up and into the under cabinet mount (B).
- Swing the cable cover in, then fit the notches in the bottom of the cover into the slots on the under cabinet mount.

7: Adjust the swivel (if necessary)

Swivel the TV $\pm 45^\circ$ to provide the best viewing angle.



IMPORTANT SAFETY INSTRUCTIONS • SAVE THESE INSTRUCTIONS

Caution: Do not use this product for any purpose not explicitly specified by Rocketfish. Improper installation may cause property damage or personal injury. If you do not understand these directions, or have doubts about the safety of the installation, contact Customer Service or call a qualified contractor. Rocketfish is not responsible for damage or injury caused by incorrect installation or use. The weight of your TV must not exceed 35 lbs. (15.9 kg). The wall or cabinet bottom must be capable of supporting five times the weight of the TV and wall mount combined.

This product contains small items that could be a choking hazard if swallowed. Keep these items away from young children!

5-year limited warranty

Visit www.rocketfishproducts.com for details.

We're here for you

www.rocketfishproducts.com

For customer service, call:

800-620-2790 (U.S./Canada markets)

01 800-926-3010 (Mexico market)

© 2010 BBY Solutions, Inc., All Rights Reserved.

Distributed by Best Buy Purchasing, LLC 7601 Penn Avenue South, Richfield, MN USA 55423-3645

Best Buy Imports, S. de R.L. de C.V. Av. Santa Fe 485, Segundo Piso, Colonia Cruz Manca, Programa Parcial de Desarrollo Santa Fe, Delegación Cuajimalpa, Distrito Federal, México 05349

ROCKETFISH is a trademark of BBY Solutions, Inc. Registered in some countries. All other products and brand names are trademarks of their respective owners.



6907-002012<03>

10-0777

Free Manuals Download Website

<http://myh66.com>

<http://usermanuals.us>

<http://www.somanuals.com>

<http://www.4manuals.cc>

<http://www.manual-lib.com>

<http://www.404manual.com>

<http://www.luxmanual.com>

<http://aubethermostatmanual.com>

Golf course search by state

<http://golfingnear.com>

Email search by domain

<http://emailbydomain.com>

Auto manuals search

<http://auto.somanuals.com>

TV manuals search

<http://tv.somanuals.com>