



RFT3061A

RFT3081A

RFT3101A

Installation
& Operation



PUNCH

***AMPLIFIED
SUBWOOFER***

Installation et fonctionnement
Instalación y operación
Einbau und Betrieb
Installazione e funzionamento

INTRODUCTION

Dear Customer,

Congratulations on your purchase of the world's finest brand of car audio speakers. At Rockford Fosgate we are fanatics about musical reproduction at its best, and we are pleased you chose our product. Through years of engineering expertise, hand craftsmanship and critical testing procedures, we have created a wide range of products that reproduce music with all the clarity and richness you deserve.

For maximum performance we recommend you have your new Rockford Fosgate product installed by an Authorized Rockford Fosgate Dealer, as we provide specialized training through Rockford Technical Training Institute (RTTI). Please read your warranty and retain your receipt and original carton for possible future use.

Great product and competent installations are only a piece of the puzzle when it comes to your system. Make sure that your installer is using 100% authentic installation accessories from Connecting Punch in your installation. Connecting Punch has everything from RCA cables and speaker wire to Power line and battery connectors. Insist on it! After all, your new system deserves nothing but the best.

To add the finishing touch to your new Rockford Fosgate image order your Rockford accessories, which include everything from T-shirts and jackets to hats and sunglasses.

To get a free brochure on Rockford Fosgate products and Rockford accessories, in the U.S. call 480-967-3565 or FAX 480-967-8132.

For all other countries, call +001-480-967-3565 or FAX +001-480-967-8132.

PRACTICE SAFE SOUND™

Continuous exposure to sound pressure levels over 100dB may cause permanent hearing loss. High powered auto sound systems may produce sound pressure levels well over 130dB. Use common sense and practice safe sound.

If, after reading your manual, you still have questions regarding this product, we recommend that you see your Rockford Fosgate dealer. If you need further assistance, you can call us direct at 1-800-669-9899. Be sure to have your serial number, model number and date of purchase available when you call.

The serial number can be found on the outside of the box. Please record it in the space provided below as your permanent record. This will serve as verification of your factory warranty and may become useful in recovering your source unit if it is ever stolen.

Serial Number: _____

Model Number: _____

Introduction	2
Safety Instructions	4
Contents of Carton	4
Installation	4-8
<i>Installation Considerations</i>	4
<i>Mounting Locations</i>	5
<i>Wiring the System</i>	6
<i>Remote Punch Bass</i>	7
<i>Installing Mounting Brackets</i>	8
<i>Installing Mounting Strps</i>	8
Operation	8
<i>Adjusting Gain</i>	8
<i>Adjusting Crossover (Adj. Xover)</i>	8
Troubleshooting	9-10
Specifications	10
Warranty Information	11
International Instructions	12

NOTE: Review each section for more detailed information.

GETTING STARTED

Welcome to Rockford Fosgate! This manual is designed to provide information for the owner, salesperson and installer. For those of you who want quick information on how to install this product, please turn to the **Installation Section** of this manual. Other information can be located by using the Table of Contents. We, at Rockford Fosgate, have worked very hard to make sure all the information in this manual is current. But, as we are constantly finding new ways to improve our product, this information is subject to change without notice.

Visit our web site for the latest information on all Rockford products.

www.rockfordfosgate.com

SAFETY INSTRUCTIONS



WARNING

This symbol with “WARNING” is intended to alert the user to the presence of important instructions. Failure to heed the instructions will result in severe injury or death.



CAUTION

This symbol with “CAUTION” is intended to alert the user to the presence of important instructions. Failure to heed the instructions can result in injury or unit damage.



CAUTION: To prevent injury and damage to the unit, please read and follow the instructions in this manual. We want you to have enjoyment from this system, not a headache.



CAUTION: If you feel unsure about installing this system yourself, have it installed by a qualified Rockford Fosgate technician.



CAUTION: Before installation, disconnect the battery negative (-) terminal to prevent damage to the unit, fire and/or possible injury.

CONTENTS OF CARTON

Amplified Subwoofer, either Model
RFT3061A, RFT3081A or RFT3101A
Installation & Operation Manual

Mounting Strap Kit
Remote Punch Bass Kit with Cord
1 Fuse Connector

INSTALLATION

INSTALLATION CONSIDERATIONS


The following is a list of tools needed for installation:

Volt/Ohm Meter
Wire strippers
Wire crimpers
Wire cutters

#2 Phillips screwdriver
Battery post wrench
Hand held drill w/assorted bits
1/8" diameter heatshrink tubing

This section focuses on some of the vehicle considerations for installing your new Amplified Subwoofer. Pre-planning your system layout and best wiring routes will save installation time. When deciding on the layout of your new system, be sure that each component will be easily accessible for making adjustments.

 **CAUTION:** If you feel unsure about installing this system yourself, have it installed by a qualified Rockford Fosgate technician.

 **CAUTION:** Before installation, disconnect the battery negative (-) terminal to prevent damage to the unit, fire and/or possible injury.

Before beginning any installation, follow these simple rules:

1. Be sure to carefully read and understand the instructions before attempting to install the Unit.
2. For safety, disconnect the negative lead from the battery prior to beginning the installation.
3. For easier assembly, we suggest you run all wires prior to mounting your Source Unit in place.
4. Route all of the RCA cables close together and away from any high current wires.
5. Use high quality connectors for a reliable installation and to minimize signal or power loss.
6. Think before you drill! Be careful not to cut or drill into gas tanks, fuel lines, brake or hydraulic lines, vacuum lines or electrical wiring when working on any vehicle.
7. Never run wires underneath the vehicle. Running the wires inside the vehicle provides the best protection.
8. Avoid running wires over or through sharp edges. Use rubber or plastic grommets to protect any wires routed through metal, especially the firewall.
9. **ALWAYS** protect the battery and electrical system from damage with proper fusing. Install the appropriate fuse holder and fuse on the +12V power wire within 18" (45.7 cm) of the battery terminal.
10. When grounding to the chassis of the vehicle, scrape all paint from the metal to ensure a good, clean ground connection. Grounding connections should be as short as possible and always be connected to metal that is welded to the main body, or chassis, of the vehicle.

MOUNTING LOCATIONS

The mounting position of your amplified subwoofer will have a great effect on the sound performance produced.

Engine Compartment

Never mount this unit in the engine compartment. Mounting the unit in the engine compartment will void your warranty.

Trunk Mounting

Mounting the unit in the trunk provides good overall performance.


Passenger Compartment Mounting


Mounting the unit in the passenger compartment provides optimum sound, but reduces the area for passenger seating.

INSTALLATION

WIRING THE SYSTEM

 **CAUTION:** If you do not feel comfortable with wiring your new unit, please see your local Authorized Rockford Fosgate Dealer for installation.

 **CAUTION:** Before installation, disconnect the battery negative (-) terminal to prevent damage to the unit, fire and/or possible injury.

 **CAUTION:** Avoid running power wires near the low level input cables, antenna, power leads, sensitive equipment or harnesses. The power wires carry substantial current and could induce noise into the audio system.

1. Plan the wire routing. Keep RCA cables close together but isolated from the amplifier's power cables and any high power auto accessories, especially electric motors. This is done to prevent coupling the noise from radiated electrical fields into the audio signal. When feeding the wires through the firewall or any metal barrier, protect them with plastic or rubber grommets to prevent short circuits. Leave the wires long at this point to adjust for a precise fit at a later time.
2. Prepare the RED wire (power cable) for attachment to the amplifier by stripping 1/2" of insulation from the end of the wire. Insert the bared wire into the B+ terminal and tighten the set screw to secure the cable in place.

NOTE: The B+ cable **MUST** be fused 18" or less from the vehicle's battery. Install the fuseholder under the hood and prepare the cable ends as stated above. Connections should be water tight.

3. Trim the RED wire (power cable) within 18" of the battery and strip 1/2" of insulation from the end of the wire. Cut the wire loop that is attached to the fuseholder in half and splice the fuse into the power line using appropriate inline connectors. Use the section of cable that was trimmed earlier and connect it to the other end of the fuseholder.
4. Strip 1/2" from the battery end of the power cable and crimp a large ring terminal to the cable. Use the ring terminal to connect to the battery positive terminal. **DO NOT install the fuse at this time.**
5. Prepare the BLACK wire (Ground cable) for attachment to the amplifier by stripping 1/2" of insulation from the end of the wire. Insert the bared wire into the GND terminal and tighten the set screw to secure the cable in place. Prepare the chassis ground by scraping any paint from the metal surface and thoroughly clean the area of all dirt and grease. Strip the other end of the wire and attach a ring connector. Fasten the cable to the chassis using a non-anodized screw and a star washer.

Use one of the two following connection methods;

RCA Cable Connection

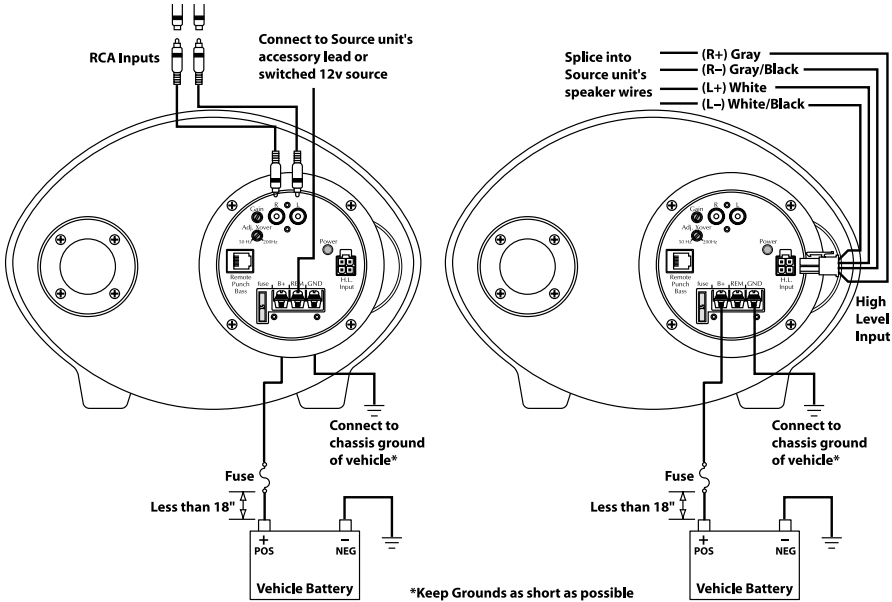
1. Prepare the REM turn-on wire for connection to the amplifier by stripping 1/2" of insulation from the wire end. Insert the bared wire into the REM terminal and tighten the set screw to secure the cable into place. Connect the other end of the REM wire to a switched 12 volt positive source. The switched voltage is usually taken from the source unit's accessory lead. If the source unit does not have this output available, the recommended solution is to wire a mechanical switch in line with a 12 volt source to activate the amplifier.

2. Connect the RCA cable inputs into their perspective plugs on the amplified subwoofer.

High Level (H.L.) Input connection

1. Using the cord provided, splice directly into the source unit's speaker outputs. Do not break connection with the source unit and speakers. Be sure to maintain proper speaker polarity. DO NOT chassis ground any of the speaker leads as unstable operation may result.

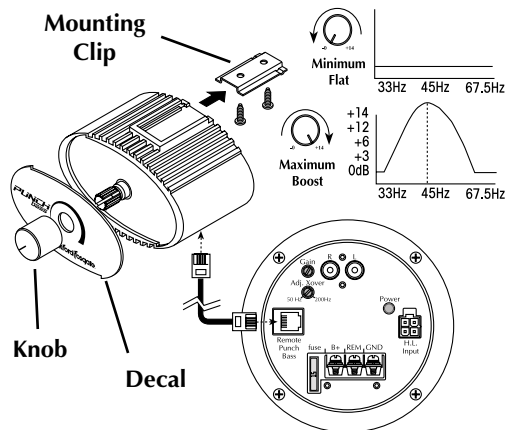
NOTE: REM connection is not required for this method. When power is supplied to the speaker wires from the source, the amplified subwoofer will automatically turn on.



REMOTE PUNCH BASS

Mounting and installation

1. Find a location, either under the dash or near the center console, that gives easy access to the remote.
2. Using the screws supplied, install the mounting clip with the tabs towards the back.
3. Route the cable for the remote and connect to both the remote and amplified subwoofer.
4. Slip the remote onto the mounting clip until it snaps into place.
5. Install the decal and knob onto the remote.



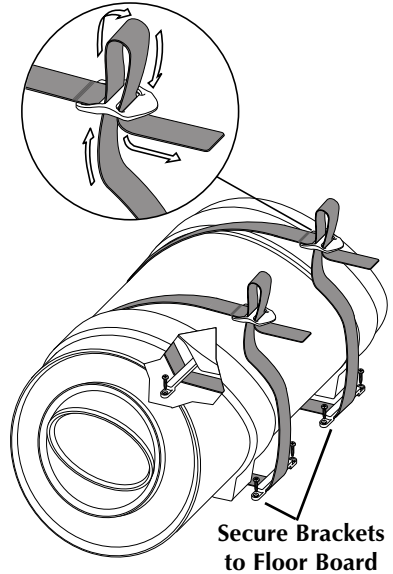
INSTALLATION

INSTALLING MOUNTING BRACKETS

⚠ CAUTION: Before drilling, check under vehicle to avoid damage to brake or fuel lines, etc.

Place the enclosure in the desired mounting location and position the mounting brackets approximately 4" from each end. Push the mounting brackets as close as possible to the enclosure without moving or lifting it. Carefully remove the enclosure and secure the brackets using the supplied screws.

NOTE: Do not mount the enclosure on cardboard or plastic panels. Doing so may allow the screws to pull out from the panel due to road vibration or sudden vehicle stops.



INSTALLING MOUNTING STRAPS

Feed each strap through the pair of mounting brackets and position the enclosure in place over the straps. Tighten each strap securely.

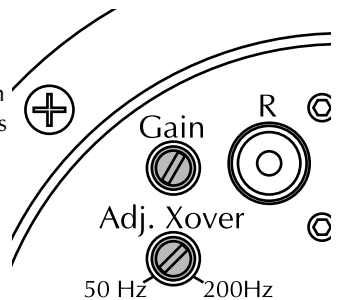
NOTE: Be sure the mounting straps are looped through the buckle correctly. Check the straps regularly to ensure your enclosure is securely mounted in place.

OPERATION

ADJUSTING GAIN

To adjust the gain setting, turn the amplifier gains all the way down. Turn the source unit volume up until distortion is audible and then turn it down a bit until the distortion is inaudible. This will be about two thirds all the way up on most source units. Next, turn the amplifier gain setting until once again distortion is audible and then back it down until the distortion is inaudible. Rockford Fosgate source units do not distort, so the volume can be used at maximum setting.

NOTE: For a more in depth setting procedure, contact Rockford Technical Support.



ADJUSTING CROSSOVER (Adj. Xover)

Turn the crossover adjustment knob all the way down. With the system playing, turn the crossover adjustment knob up slowly until the desired crossover point is achieved.

NOTE: If you are having problems after installation follow the Troubleshooting procedures below.

Procedure 1: Check Amplifier for proper connections.

Verify that POWER light is on. If POWER light is on skip to Step 2, if not continue.

1. Check in-line fuse on battery positive cable. Replace if necessary.
2. Verify that Ground connection is connected to clean metal of the vehicle's chassis. Repair/replace if necessary.
3. Verify there is 10.5 - 15.5 Volts of current present at the positive battery and remote turn-on cable. Verify quality connections for both cables at amplifier, stereo, and battery/fuseholder. Repair/replace if necessary.

Procedure 2: Check Amplifier for audio output.

1. Verify good RCA/high-level input connections at stereo and amplifier. Check entire length of cables for kinks, splices, etc. Test RCA/high-level inputs for AC current with stereo on. Repair/replace if necessary.
2. Disconnect RCA/high-level input from amplifier. Connect RCA/high-level input from test stereo directly to amplifier input.

Procedure 3: Check Amplifier if you experience Turn-on Pop.

1. Disconnect input signal to amplifier and turn amplifier on and off.
2. If the noise is eliminated, connect the REM lead of amplifier to source unit with a delay turn-on module.

OR

1. Use a different 12 Volt source for REM lead of amplifier (i.e. battery direct).
2. If the noise is eliminated, use a relay to isolate the amplifier from noisy turn-on output.

Procedure 4: Check Amplifier if you experience excess Engine Noise.

1. Route all signal carrying wires (RCA, Speaker cables) away from power and ground wires.

OR

2. Bypass any and all electrical components between the stereo and the amplifier(s). Connect stereo directly to input of amplifier. If noise goes away the unit being bypassed is the cause of the noise.

OR

3. Remove existing ground wires for all electrical components. Reground wires to different locations. Verify that grounding location is clean, shiny metal free of paint, rust etc.

OR

TROUBLESHOOTING

4. Add secondary ground cable from negative battery terminal to the chassis metal or engine block of vehicle.

OR

5. Have alternator and battery load tested by your mechanic. Verify good working order of vehicle electrical system including distributor, spark plugs, spark plug wires, voltage regulator etc.

SPECIFICATIONS

System Model Number	RFT3061A	RFT3081A	RFT3101A
Frequency Response	50Hz-200Hz	45Hz-150Hz	40Hz-125Hz
Power Output	100W	100W	100W
Overall Dimensions (in.)—			
Height	7 11/16"	9 1/8"	10 13/16"
Width	10 5/8"	12 11/16"	15"
Length	15 9/16"	17 7/16"	24 1/16"
Weight (lbs.)	8.0	13.0	21.0

LIMITED WARRANTY INFORMATION

Rockford Corporation offers a limited warranty on Rockford Fosgate products on the following terms:

Length of Warranty

3 years on electronics	90 days on electronic B-stock (receipt required)
1 year on source units	90 days on speaker B-stock (receipt required)
1 year on speakers	

What is Covered

This warranty applies only to Rockford Fosgate products sold to consumers by Authorized Rockford Fosgate Dealers in the United States of America or its possessions. Product purchased by consumers from an Authorized Rockford Fosgate Dealer in another country are covered only by that country's Distributor and not by Rockford Corporation.

Who is Covered

This warranty covers only the original purchaser of Rockford product purchased from an Authorized Rockford Fosgate Dealer in the United States. In order to receive service, the purchaser must provide Rockford with a copy of the receipt stating the customer name, dealer name, product purchased and date of purchase.

Products found to be defective during the warranty period will be repaired or replaced (with a product deemed to be equivalent) at Rockford's discretion.

What is Not Covered

1. Damage caused by accident, abuse, improper operations, water, theft
2. Any cost or expense related to the removal or reinstallation of product
3. Service performed by anyone other than Rockford or an Authorized Rockford Fosgate Service Center
4. Any product which has had the serial number defaced, altered, or removed
5. Subsequent damage to other components
6. Any product purchased outside the U.S.
7. Any product not purchased from an Authorized Rockford Fosgate Dealer

Limit on Implied Warranties

Any implied warranties including warranties of fitness for use and merchantability are limited in duration to the period of the express warranty set forth above. Some states do not allow limitations on the length of an implied warranty, so this limitation may not apply. No person is authorized to assume for Rockford Fosgate any other liability in connection with the sale of the product.

How to Obtain Service

Please call 1-800-669-9899 for Rockford Customer Service. You must obtain an RA# (Return Authorization number) to return any product to Rockford Fosgate. You are responsible for shipment of product to Rockford.

Ship to: Electronics

Rockford Corporation
Warranty Repair Department
2055 E. 5th Street
Tempe, AZ 85281
RA#: _____

Ship to: Speakers

Rockford Acoustic Design
Speaker Returns
2356 Turner Ave. NW
Grand Rapids, MI 49544
RA#: _____

INTRODUCTION

Français

Cher client,

Toutes nos félicitations pour avoir acheté la meilleure marque de haut-parleurs pour automobile. Chez Rockford Fosgate nous sommes des mordus de la reproduction musicale à son meilleur. C'est pourquoi nous sommes heureux que vous ayez choisi notre produit. Des années d'expertise en ingénierie, de savoir-faire et d'essais poussés nous ont permis de créer une vaste gamme de produits capables de reproduire toute la clarté et la richesse musicales que vous méritez.

Pour obtenir les meilleurs résultats, nous vous recommandons de faire installer votre nouvel appareil par un concessionnaire Rockford Fosgate agréé formé spécialement par notre Institut de formation technique Rockford (RTTI). Prenez soin de lire la garantie et conservez votre reçu ainsi que l'emballage d'origine pour usage ultérieur.

Pour monter un excellent système, il ne suffit pas de posséder un super produit et d'assurer une installation qualifiée compétente. Vous devez veiller à ce que votre installateur utilise des accessoires d'origine fournis par Connecting Punch. Connecting Punch a tout ce qu'il vous faut, des câbles RCA aux câbles de haut-parleurs, en passant par les câbles d'alimentation et les connecteurs de batterie. Insistez pour les avoir! Après tout, votre nouveau système ne mérite rien de moins.

Pour compléter votre nouvelle image Rockford Fosgate, commandez des accessoires Rockford tels que T-shirts, vestes, chapeaux et lunettes de soleil.

Pour obtenir une brochure gratuite sur les produits Rockford Fosgate et les accessoires Rockford, appelez aux États-Unis le 480-967-3565 ou faxez au 480-967-8132.

Pour tous les autres pays, appelez le +001-480-967-3565 ou faxez au +001-480-967-8132.

PRATIQUEZ UNE ÉCOUTE SANS RISQUES^{MD}

Une exposition continue à des niveaux de pression acoustique supérieurs à 100 dB peut causer une perte d'acuité auditive permanente. Les systèmes audio de forte puissance pour auto peuvent produire des niveaux de pression acoustique bien au-delà de 130 dB. Faites preuve de bon sens et pratiquez une écoute sans risques

Si vous avez encore des questions à propos de ce produit, même après avoir lu ce manuel, contactez votre concessionnaire Rockford Fosgate agréé. Si vous avez besoin d'aide, appelez-nous au 1-800-669-9899. Veuillez avoir les numéros de modèle et de série, ainsi que la date d'achat de l'appareil à portée de main lorsque vous appelez.

Le numéro de série est indiqué sur l'extérieur de l'emballage. Veuillez l'inscrire ci-dessous dans l'espace réservé à cet effet. Il permettra de vérifier votre garantie et de retrouver votre appareil en cas de vol.

Numéro de série : _____

Numéro de modèle : _____

Introduction	2
Consignes de sécurité.	4
Contenu de l'emballage	4
Installation	4-8
<i>Considérations concernant l'installation</i>	4
<i>Emplacements de montage</i>	5
<i>Câblage du système</i>	6
<i>Basses Punch à télécommande</i>	7
<i>Installation des crochets de montage</i>	8
<i>Installation des lanières de montage.</i>	8
Fonctionnement.	8
<i>Réglage du gain</i>	8
<i>Réglage du filtre passif (Régl. filtre)</i>	8
Dépannage	9-10
Caractéristiques	10
Informations relatives à la garantie.	11

NOTE : consultez chaque section pour de plus amples informations.

AVANT DE COMMENCER

Bienvenue à Rockford Fosgate ! Ce manuel vise à informer le propriétaire, le vendeur et l'installateur de l'appareil. Si vous désirez apprendre rapidement comment installer ce produit, consultez la section Installation du manuel. Reportez-vous à la Table des matières pour d'autres informations. Nous nous efforçons de faire en sorte que toutes les informations contenues dans ce manuel soient à jour. Mais comme nous améliorons constamment nos produits, nous nous réservons le droit de modifier ces informations sans aucun préavis.

Visitez notre site Web pour obtenir les dernières informations sur tous les produits Rockford.

www.rockfordfosgate.com

CONSIGNES DE SÉCURITÉ

Français



AVERTISSEMENT

Le symbole accompagnant le mot « AVERTISSEMENT » signale à l'utilisateur la présence d'instructions importantes. Le non-respect de ces instructions causera des blessures graves ou la mort.



MISE EN GARDE

Le symbole accompagnant l'expression « MISE EN GARDE » signale à l'utilisateur la présence d'instructions importantes. Le non-respect de ces instructions peut causer des blessures ou endommager l'appareil.



MISE EN GARDE : pour éviter des blessures et ne pas endommager l'appareil, veuillez lire et suivre les instructions du manuel. Notre but est que ce système vous donne du plaisir et non des maux de tête.



MISE EN GARDE : si vous vous sentez incapable d'installer l'appareil vous-même, confiez la tâche à un technicien Rockford Fosgate qualifié.



MISE EN GARDE : avant d'entamer l'installation, déconnectez la broche négative (-) de la batterie pour éviter tout risque de blessures, d'incendie ou de dommages à l'appareil.

CONTENU DE L'EMBALLAGE

Subwoofer amplifié, modèle RFT3061A,
RFT3081A ou RFT3101A

Manuel d'installation et d'utilisation

Kit de lanières de montage

Kit de basses Punch à télécommande avec
cordon

1 connecteur de fusible

INSTALLATION

CONSIDÉRATIONS CONCERNANT L'INSTALLATION

Voici la liste d'outils requis pour l'installation :

Voltmètre-ohmmètre

Pince à dénuder

Pince à sertir

Coupe-fils


Tournevis à embout cruciforme no 2


Clé de borne de batterie

Perceuse à main avec mèches assorties

Tube thermorétractible de 1/8" de diamètre

Cette section traite de points concernant le véhicule dont il faut tenir compte pour l'installation de votre nouveau subwoofer amplifié. Vous sauverez du temps en planifiant à l'avance la disposition du système et du câblage. Assurez-vous, entre autres, que chaque composant du système est facilement accessible pour les réglages.

 **MISE EN GARDE :** si vous vous sentez incapable d'installer l'appareil vous-même, confiez la tâche à un technicien Rockford Fosgate qualifié.

 **MISE EN GARDE :** avant d'entamer l'installation, déconnectez la broche négative (-) de la batterie pour éviter tout risque de blessures, d'incendie ou de dommages à l'appareil.

Avant de commencer l'installation, suivez ces règles toutes simples :

1. Prenez soin de bien lire et comprendre les instructions avant d'installer l'appareil.
2. Par mesure de sécurité, veuillez débrancher le fil négatif de la batterie avant de commencer l'installation.
3. Pour faciliter le montage, nous vous suggérons de dérouler tous les fils avant d'installer l'appareil.
4. Acheminez tous les câbles RCA de façon groupée, à l'écart des fils à courant élevé.
5. Utilisez des connecteurs de haute qualité pour assurer une installation fiable et minimiser la perte de signal ou de puissance.
6. Réfléchissez avant de percer quoique ce soit ! Faites attention de ne pas couper ou percer le réservoir d'essence, les conduites de carburant, de frein, hydrauliques ou de dépression, ou le câblage électrique lorsque vous travaillez sur un véhicule.
7. Ne faites jamais passer les fils sous le véhicule. Il vaut mieux les installer à l'intérieur du véhicule pour assurer une meilleure protection.
8. Évitez de faire passer les fils par dessus ou à travers des bords tranchants. Tout fil acheminé à travers du métal, un pare-feu en particulier, doit être protégé avec des bagues en caoutchouc ou plastique.
9. Protégez TOUJOURS la batterie et le circuit électrique des dommages potentiels à l'aide de fusibles. Installez un porte-fusible et un fusible appropriés sur le câble d'alimentation de +12 V à moins de 45,7 cm (18") de la borne de batterie.
10. Préparez la masse du châssis en grattant toute trace de peinture de la surface métallique afin d'assurer une bonne mise à la masse. Les connexions de masse doivent être aussi courtes que possible et toujours connectées à du métal soudé à la carrosserie ou au châssis du véhicule.

EMPLACEMENTS DE MONTAGE

L'emplacement de montage du subwoofer amplifié aura une influence considérable sur la qualité sonore.

Compartment moteur

Ne jamais monter cet appareil dans le compartiment moteur. Cela entraînerait l'annulation de la garantie.


Montage dans le coffre


Le montage dans le coffre assure un bon rendement général


Montage dans l'habitacle

Le montage dans l'habitacle assure une qualité sonore optimale, mais réduit l'espace pour les passagers.

CBLAGE DU SYSTÈME

 **MISE EN GARDE :** si vous ne vous sentez pas à l'aise pour effectuer vous-même le câblage de votre nouvel appareil, veuillez confier l'installation à votre concessionnaire Rockford Fosgate agréé.

 **MISE EN GARDE :** avant d'entamer l'installation, déconnectez la broche négative (-) de la batterie pour éviter tout risque de blessures, d'incendie ou de dommages à l'appareil.

 **MISE EN GARDE :** Évitez de faire passer les fils d'alimentation près des câbles d'entrée de signaux faibles, de l'antenne, des câbles d'alimentation, des équipements ou faisceaux sensibles. Les fils d'alimentation transportent un courant élevé et peuvent produire du bruit dans le système audio.

1. Planifiez l'acheminement des fils. Gardez les câbles RCA ensemble mais en les isolant des câbles d'alimentation de l'ampli et des autres accessoires automobiles de forte puissance, particulièrement les moteurs électriques, pour éviter que le signal audio ne subisse d'interférence de bruit provenant de champs de rayonnement électriques. Si vous faites passer les fils par un pare-feu ou autre barrière métallique, protégez-les à l'aide de bagues en caoutchouc ou en plastique pour éviter les courts-circuits. Conservez toute la longueur des fils pour l'instant. Vous l'ajusterez plus tard.
2. Préparez le fil ROUGE (câble d'alimentation) qui devra être relié à l'ampli en dénudant 1/2 po de son extrémité. Insérez la partie dénudée dans la borne B+, puis fixez le fil en vissant la vis sans tête.

REMARQUE : Le câble B+ DOIT comporter un fusible à 18 pouces ou moins de la batterie du véhicule. Installez le porte-fusible sous le capot et préparez les extrémités de câble tel qu'indiqué ci-dessus. Les connexions doivent être étanches.

3. Coupez le fil ROUGE (câble d'alimentation) à moins de 18 pouces de la batterie et dénudez 1/2 po de son extrémité. Coupez en deux la boucle reliée au porte-fusible et épissez le fusible sur le fil d'alimentation à l'aide de connecteurs en ligne appropriés. Utilisez la section de fil coupée plus tôt et connectez-la à l'autre extrémité du porte-fusible.
4. Dénudez 1/2 po de l'extrémité de batterie du câble d'alimentation et sertissez une grosse cosse à anneau sur le câble. Connectez la cosse à la borne positive de la batterie. **N'installez pas le fusible pour l'instant.**
5. Préparez le fil NOIR (câble de mise à la masse) qui devra être relié à l'ampli en dénudant 1/2 po de son extrémité. Insérez la partie dénudée dans la borne GND, puis fixez le fil en vissant la vis sans tête. Préparez la masse du châssis en grattant toute trace de peinture de la surface métallique et en nettoyant soigneusement pour éliminer tout dépôt de saleté et de graisse. Dénudez l'autre extrémité du fil et fixez un connecteur en anneau. Fixez le câble au châssis à l'aide d'une vis non anodisée et une rondelle en étoile.

Utilisez l'une des méthodes de connexion suivantes :

Connexion du câble RCA

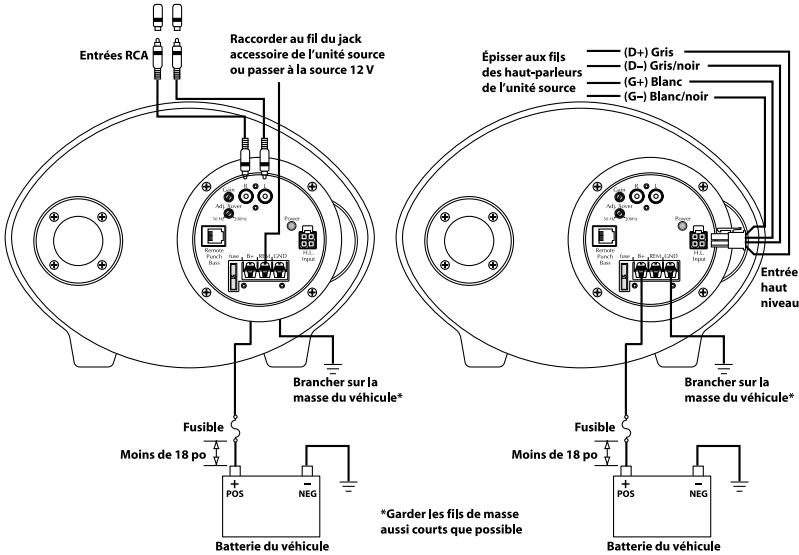
1. Préparez le fil d'activation REM qui devra être relié à l'ampli en dénudant 1/2 po de son extrémité. Insérez la partie dénudée dans la borne REM, puis fixez le fil en vissant la vis sans tête. Connectez l'autre extrémité du fil REM à une source positive commutée de 12 volts. La tension commutée provient généralement de l'antenne ou du câble d'accessoires de la source audio. Si la source audio ne comporte pas de telles sorties, nous recommandons de raccorder un interrupteur mécanique en ligne avec une source de 12 volts pour activer l'ampli.

- Connectez les entrées de câble RCA dans leurs prises respectives sur le subwoofer amplifié.

Connexion pour entrée de signaux élevés

- Épissez le cordon fourni directement dans les sorties de haut-parleur de la source audio. N'interrompez pas la connexion entre la source audio et les haut-parleurs. Veillez à respecter la polarité des haut-parleurs. NE mettez PAS les fils de haut-parleur à la masse sur le châssis car cela pourrait causer un fonctionnement instable.

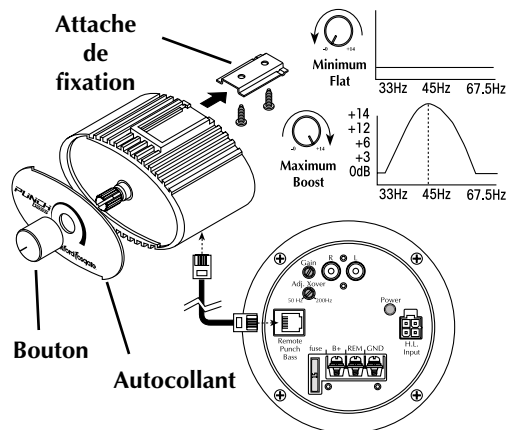
REMARQUE : Cette méthode n'exige pas de connexion REM. Lorsque la source audio alimente les fils de haut-parleur, le subwoofer amplifié s'allume automatiquement.



BASSES PUNCH À TÉLÉCOMMANDE

Montage et installation

- Trouvez un bon emplacement, sous le tableau de bord ou près de la console centrale, offrant un accès facile à l'appareil de télécommande.
- Servez-vous des vis fournies pour installer l'attache de fixation, les languettes étant dirigées vers l'arrière.
- Acheminez le câble de la télécommande et branchez-le à la télécommande et au subwoofer amplifié.
- Glissez la télécommande sur l'attache de fixation jusqu'à ce qu'elle se mette en place d'un déclic.
- Placez l'autocollant et le bouton sur la télécommande.



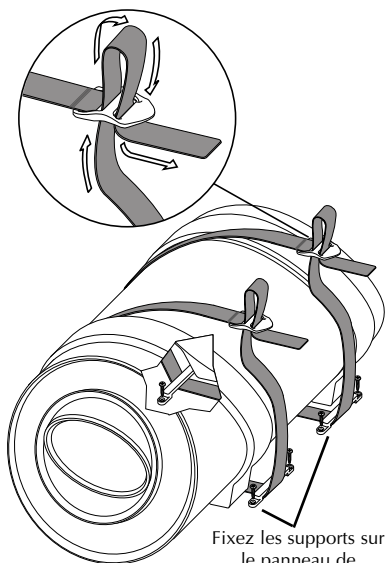
INSTALLATION

Français INSTALLATION DES CROCHETS DE MONTAGE

⚠ ATTENTION : Avant de percer, assurez-vous de ne pas endommager les organes vitaux du véhicule (conduit de freinage, d'essence, etc.)

Placez le caissons dans l'emplacement désiré et mettez-les crochets à environ 10cm avant chaque extrémité de celui-ci. Retirez doucement le caisson et fixer les crochets avec les vis fournies aussi près que possible du caisson sans le bouger ou le soulever.

REMARQUE : prenez soin de ne pas monter le boîtier sur les panneaux de carton ou de plastique car les vis pourraient en sortir sous l'effet des vibrations de la route ou des arrêts subits du véhicule.



Fixez les supports sur le panneau de plancher

INSTALLATION DES LANIÈRES DE MONTAGE

Passez chaque lanière dans le paire de crochets de montage et positionner le caisson a sa place. Serrez bien chaque lanière.

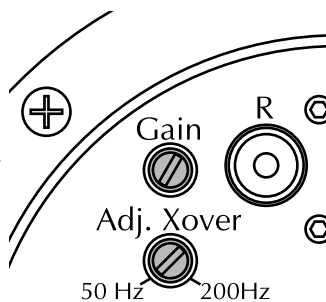
REMARQUE : Veuillez à ce que chaque lanière de montage soit correctement passée dans la boucle. Contrôlez régulièrement les boucles afin que le caisson reste solidement mis en place.

FONCTIONNEMENT

RÉGLAGE DU GAIN

Pour régler le gain, tournez le bouton de gain de l'ampli vers son niveau le plus bas. Augmentez le volume de la source audio jusqu'à produire une distorsion audible, puis baissez-le jusqu'à ce que la distorsion devienne inaudible. Cela correspondant généralement aux deux tiers du volume sur la plupart des sources audio. Augmentez ensuite le gain de l'ampli jusqu'à produire de nouveau une distorsion audible, puis baissez-le jusqu'à ce que la distorsion devienne inaudible. Les sources audio Rockford Fosgate ne produisent pas de distorsion, vous pouvez donc mettre le volume au maximum.

REMARQUE : Pour un réglage plus approfondi, communiquez avec le support technique de Rockford.



RÉGLAGE DU FILTRE PASSIF (Régl. filtre)

Baissez complètement le niveau du filtre. Le système audio étant en fonctionnement, augmentez le niveau du filtre graduellement jusqu'à atteindre le point de fréquence voulu.

REMARQUE : Si vous éprouvez des difficultés après l'installation, appliquez les procédures de dépannage ci-dessous.

Procédure 1 : Vérifiez que les connexions de l'ampli sont bien mises.

Vérifiez que le voyant POWER est allumé. Si c'est le cas, passez à l'étape 2, sinon poursuivez.

1. Vérifiez le fusible en ligne du câble positif de batterie. Remplacez-le si nécessaire.
2. Vérifiez que la connexion de mise à la masse est connectée à une surface métallique propre du châssis du véhicule. Procédez à une réparation ou un remplacement si nécessaire.
3. Vérifiez la présence d'un courant de 10,5 à 15,5 Volts au niveau de la borne positive de la batterie et du câble d'allumage à distance. Vérifiez la qualité des connexions des deux câbles au niveau de l'ampli, de la stéréo, de la batterie et du porte-fusible. Procédez à une réparation ou un remplacement si nécessaire.

Procédure 2 : Vérifiez la sortie audio de l'ampli.

1. Vérifiez que les connexions RCA/d'entrée de signaux élevés sont bonnes au niveau de la stéréo et de l'ampli. Vérifiez s'il y a des problèmes de torsion ou d'épissure tout le long des câbles, etc. Testez la présence de courant c.a. au niveau des connexions RCA/d'entrée de signaux élevés lorsque la stéréo est allumée. Procédez à une réparation ou un remplacement si nécessaire.
2. Débranchez les connexions RCA/d'entrée de signaux élevés de l'ampli. Branchez les connexions RCA/d'entrée de signaux élevés de la stéréo testée directement à l'entrée de l'ampli.

Procédure 3 : Vérifiez l'ampli si un crépitement se produit lorsque vous l'allumez.

1. Débranchez le signal d'entrée reçu par l'ampli, puis allumez et éteignez l'ampli.
2. Si le bruit disparaît, connectez le fil REM de l'ampli à la source audio avec un module d'allumage temporisé.

OU

1. Utilisez une source de 12 Volts différente pour le fil REM de l'ampli (p. ex., directement de la batterie).
2. Si le bruit disparaît, utilisez un relais pour isoler l'ampli du signal de bruit du démarrage.

Procédure 4 : Vérifiez l'ampli si un bruit de moteur excessif se produit.

1. Acheminez tous les fils de signal (RCA, câbles de haut-parleur) à l'écart des fils d'alimentation ou de masse.

OU

2. Contournez tous les composants électriques situés entre la stéréo et l'ampli. Connectez la stéréo directement à l'entrée de l'ampli. Si le bruit disparaît, l'unité contournée est la cause du bruit.

OU

3. Retirez les fils de masse de tous les composants électriques. Branchez de nouveau les fils à la masse, mais à des emplacements différents. Vérifiez que ceux-ci sont propres, que le métal est brillant sans trace de peinture, ni rouille, etc.

OU

4. Ajoutez un deuxième fil de masse allant de la borne négative de la batterie au métal du châssis ou au bloc-moteur du véhicule.

OU

5. Faites effectuer par votre mécanicien un essai de charge au niveau de l'alternateur et de la batterie. Vérifiez que le circuit électrique du véhicule fonctionne correctement, notamment le distributeur, les bougies et leurs câbles, le régulateur de tension, etc.

CARACTÉRISTIQUES

N° de modèle du système :	RFT3061A	RFT3081A	RFT3101A
Réponse en fréquence	50 Hz à 200 Hz	45 Hz à 150 Hz	40 Hz à 125 Hz
Puissance de sortie	100 W	100 W	100 W
Dimensions hors tout (pouces) —			
Hauteur	7 11/16"	9 1/8"	10 13/16"
Largeur	10 5/8"	12 11/16"	15"
Longueur	15 9/16"	17 7/16"	24 1/16"
Poids (lb)	8,0	13,0	21,0

Rockford Corporation offre une garantie limitée sur les produits Rockford Fosgate selon les termes suivants :

Durée de la garantie

3 ans sur les composants électroniques	90 jours sur le stock B électronique (reçu obligatoire)
1 an sur les sources audio	90 jours sur le stock B de haut-parleur (reçu obligatoire)
1 an sur les haut-parleurs	

Couverture

Cette garantie s'applique uniquement aux produits Rockford Fosgate vendus à des consommateurs par des concessionnaires Rockford Fosgate agréés, aux États-Unis d'Amérique et leurs territoires. Les produits achetés par des consommateurs auprès d'un concessionnaire Rockford Fosgate agréé, dans un autre pays, sont couverts par le distributeur de ce pays et non par Rockford Corporation.

Qui est couvert ?

Cette garantie s'applique uniquement à l'acheteur initial du produit Rockford acheté aux États-Unis auprès d'un concessionnaire Rockford Fosgate agréé. Afin de bénéficier du service de garantie, l'acheteur doit fournir à Rockford une copie du reçu indiquant le nom du client, le nom du concessionnaire, le produit acheté et la date d'achat.

Les produits jugés défectueux durant la période de garantie seront réparés ou remplacés (par un produit jugé équivalent) au choix de Rockford.

Non-couverture

1. Dommages causés par accident, abus, mauvaise utilisation, eau, vol
2. Coûts et frais relatifs au retrait ou à la réinstallation du produit
3. Service effectué par quelqu'un d'autre que Rockford ou un centre de service autorisé Rockford Fosgate
4. Tout produit dont le numéro de série a été oblitéré, altéré ou enlevé
5. Dommages subséquents infligés à d'autres composants
6. Tout produit acheté en dehors des États-Unis
7. Tout produit qui n'a pas été acheté auprès d'un concessionnaire Rockford Fosgate agréé

Limite sur les garanties implicites

Toute garantie implicite, y compris toute garantie d'adéquation à un usage particulier et de commerciabilité, est limitée dans le temps à la période de la garantie expresse énoncée ci-dessus. Certaines juridictions ne permettent pas de limitation sur la durée des garanties implicites. En conséquence, l'exclusion ci-dessus peut ne pas vous être applicable. Aucune personne n'est autorisée à assumer une quelconque autre responsabilité au nom de Rockford Fosgate relative à la vente de ce produit.

Pour l'obtention de service

Veuillez appeler le service à la clientèle Rockford au 1-800-669-9899. Vous devez obtenir un numéro d'autorisation de retour de marchandise (ARM) avant de renvoyer le produit à Rockford Fosgate. La responsabilité de l'envoi du produit à Rockford vous incombe entièrement

Destinataire : **Electronics**
Rockford Corporation
Warranty Repair Department
2055 E. 5th Street
Tempe, AZ 85281
N° ARM : _____

Destinataire : **Speakers**
Rockford Acoustic Design
Speaker Returns
2356 Turner Ave. NW
Grand Rapids, MI 49544
N° ARM : _____

INTRODUCCIÓN

Estimado Cliente:

Felicitaciones por su compra de la marca más fina de parlantes de automóvil. En Rockford Fosgate somos fanáticos de la mejor reproducción musical y estamos agradecidos de que haya escogido nuestro producto. Con muchos años de experiencia en ingeniería, conocimiento del oficio y procedimientos de prueba críticos, hemos creado un amplio rango de productos que reproducen música con toda la claridad y riqueza que usted se merece.

Para obtener el mejor rendimiento, le recomendamos que su nuevo producto de Rockford Fosgate sea instalado por un Concesionario Autorizado de Rockford Fosgate, ya que a través del Instituto de Capacitación Técnica Rockford (RTTI) ofrecemos capacitación especializada. Por favor lea su garantía y retenga su recibo y caja original para uso como referencia en el futuro.

Cuando se trata de su sistema, la excelencia del producto y la instalación competente sólo representan una pieza del rompecabezas. Asegúrese de que la persona que instale su sistema utilice accesorios de Connecting Punch 100% auténticos. Connecting Punch tiene todos los accesorios necesarios. Desde cables RCA y cableado para parlantes hasta líneas de alimentación y conectores de batería. ¡Insista en esto! Después de todo, su nuevo sistema sólo se merece lo mejor.

Para agregar el toque final a su nueva imagen Rockford Fosgate pida sus accesorios Rockford, que incluyen playeras, chaquetas, gorras y anteojos para sol.

Para recibir un folleto gratis de productos Rockford Fosgate y accesorios Rockford en los EE.UU. llame al 480-967-3565 o por FAX al 480-967-8132.

Desde todos los otros países, llame al +001-480-967-3565 o por fax al +001-480-967-8132.

PRACTIQUE EL SONIDO SEGURO

El contacto continuo con niveles de presión de sonido superiores a 100 dB puede causar la pérdida permanente de la audición. Los sistemas de sonido para automóviles de alta potencia pueden producir niveles de presión de sonido superiores a los 130 dB. Use su sentido común y practique el sonido seguro.

Si después de leer su manual tiene preguntas sobre este producto, le recomendamos que consulte a su concesionario de Rockford Fosgate. Si necesita asistencia adicional, puede llamarnos directamente al 1-800-669-9899. Asegúrese de tener su número de serie, número de modelo y fecha de compra disponibles cuando usted llame.

El número de serie se encuentra en el exterior de la caja. Por favor, escríbalo en el espacio que se indica a continuación para tener una anotación permanente. Esto servirá como verificación de su garantía de fábrica y podría ser de utilidad para recuperar su unidad fuente si alguna vez se la roban.

Número de serie: _____

Número de modelo: _____

Introducción	2
Instrucciones de seguridad	4
Contenidos de la caja	4
Instalación	4-8
<i>Consideraciones sobre la instalación</i>	4
<i>Lugares para el montaje</i>	5
<i>Cableado del sistema</i>	6
<i>Remoto Bass Punch</i>	7
<i>Instalación de soportes de anclaje</i>	8
<i>Instalación de bridas de anclaje</i>	8
Operación	8
<i>Ajuste de la ganancia</i>	8
<i>Ajuste del punto del divisor de frecuencias electrónico</i>	8
Solucion de fallas	9-10
Especificaciones	10
Información sobre la garantía	11

NOTA: Lea cada sección para obtener información más detallada.

CÓMO COMENZAR

¡Bienvenido a Rockford Fosgate! Este manual ha sido creado para proporcionarle información al dueño, vendedor y técnico de instalación. Para quienes desean información rápida sobre cómo instalar este producto, por favor vean la **Sección Instalación** de este manual. El resto de la información puede encontrarse usando el Índice de Materias. Nosotros, en Rockford Fosgate, hemos trabajado mucho para asegurarnos que toda la información de este manual esté actualizada. Pero, como estamos encontrando nuevas maneras de mejorar nuestros productos constantemente, esta información está sujeta a cambio sin previo aviso.

Visite nuestro sitio web para obtener la información más reciente sobre todos los productos Rockford.

www.rockfordfosgate.com

INSTRUCCIONES DE SEGURIDAD



ADVERTENCIA

Este símbolo de "ADVERTENCIA" tiene por objeto alertar al usuario sobre la presencia de instrucciones de importancia. No tener en cuenta las instrucciones podría resultar en lesiones severas o muerte.



PRECAUCIÓN

Este símbolo de "PRECAUCIÓN" tiene por objeto alertar al usuario sobre la presencia de instrucciones de importancia. No tener en cuenta las instrucciones podría resultar en lesiones o daños a la unidad.



PRECAUCIÓN: Para prevenir lesiones y daño a la unidad, por favor lea y cumpla las instrucciones de este manual. Nosotros deseamos que este sistema sea algo para disfrutar, no un dolor de cabeza.



PRECAUCIÓN: Si no está seguro sobre cómo instalar el sistema usted mismo, pídale a un técnico calificado de Rockford Fosgate que lo instale.



PRECAUCIÓN: Antes de la instalación, desconecte el terminal negativo de la batería (-) para prevenir daño a la unidad, incendio y/o posibles lesiones.

Español

CONTENIDOS DE LA CAJA

Subwoofer Amplificado, Modelos RFT3061A,
RFT3081A o RFT3101A

Manual de instalación y operaciones

Kit de abrazaderas de montaje

Kit de Punch Bass remoto con cable

1 conector para fusible

INSTALACIÓN

CONSIDERACIONES SOBRE LA INSTALACIÓN

La siguiente es una lista de las herramientas necesarias para la instalación:

Voltímetro/ohmímetro

Desforadores de cable

Plegador de cápsulas de alambre

Cortador de alambre


Destornillador Phillips N.º 2


Llave para postes de la batería

Taladro manual con distintas mechas

Tubo de plástico de 1/8 de pulgada de diámetro

Esta sección se concentra en algunas de las consideraciones para instalar su nuevo Subwoofer Amplificado. La planificación previa del diagrama de su sistema y las mejores rutas del cableado ayudarán a ahorrar tiempo en la instalación. Cuando se decide sobre el diagrama de su nuevo sistema, asegúrese de que cada componente esté accesible para realizar ajustes.

 **PRECAUCIÓN:** Si no está seguro sobre cómo instalar el sistema usted mismo, pídale a un técnico calificado de Rockford Fosgate que lo instale.

 **PRECAUCIÓN:** Antes de la instalación, desconecte el terminal negativo de la batería (-) para prevenir daño a la unidad, incendio y/o posibles lesiones.

Antes de comenzar la instalación, siga estas normas simples:

1. Asegúrese de leer y entender cuidadosamente las instrucciones antes de intentar instalar la unidad.
2. Para mayor seguridad, desconecte el electrodo negativo de la batería antes del comienzo de la instalación.
3. Para facilitar el armado, le sugerimos que haga correr todos los alambres antes de montar la unidad fuente en su lugar.
4. Pase todos los cables RCA juntos y lejos de alambres de alta corriente.
5. Use conectores de alta calidad para obtener una instalación confiable y reducir la señal o pérdida de potencia.
6. ¡Piense antes de perforar! Tenga cuidado de no cortar o perforar el tanque de combustible, las líneas de combustible o líneas hidráulicas, líneas de vacío o cableado eléctrico cuando trabaje en cualquier vehículo.
7. Nunca pase los alambres por debajo del vehículo. Pasar los alambres por el interior del vehículo ofrece la mejor protección.
8. Evite pasar los alambres sobre o por bordes filosos. Use ojales de goma o plástico para proteger a los cables pasados a través del metal, especialmente el muro contra fuego.
9. Proteja **SIEMPRE** la batería y el sistema eléctrico contra daños usando los fusibles apropiados. Instale el portafusible apropiado y el fusible en el alambre de +12 V de potencia a una distancia de 18 pulgadas (45,7 cm.) del terminal de la batería.
10. Cuando conecte el chasis del vehículo a tierra, quite la pintura del metal para asegurar una conexión a tierra buena y limpia. Las conexiones de descarga a tierra deberán ser las más cortas posibles y deberán estar siempre conectadas al metal que está soldado al cuerpo principal, o chasis del vehículo.

LUGARES DE MONTAJE

El lugar en donde instale el subwoofer amplificado tendrá un gran efecto sobre la calidad del sonido producido.

Compartimento del motor

Nunca instale esta unidad en el compartimento del motor. Instalar la unidad en el compartimento del motor anulará su garantía.


Instalación en el baúl


Instalar la unidad en el baúl ofrece un funcionamiento general bueno.


Instalación en la cabina de pasajeros

Instalar el subwoofer amplificador en la cabina de pasajeros proporciona un sonido óptimo pero reduce el espacio para que los pasajeros se sienten.

CABLEADO DEL SISTEMA

 **PRECAUCIÓN:** Si no se siente cómodo instalando el cableado de su nueva unidad fuente, por favor consulte a su Concesionario Autorizado Rockford Fosgate local sobre la instalación.

 **PRECAUCIÓN:** Antes de la instalación, desconecte el terminal negativo de la batería (-) para prevenir daño a la unidad, incendio o posibles lesiones.

 **PRECAUCIÓN:** Evite pasar los cables de alimentación cerca de los cables de entrada de bajo nivel, de la antena, de los conductores de alimentación, de equipo sensible o de cableados preformados. Los cables de alimentación llevan suficiente corriente y podrían inducir ruido en el sistema de audio.

1. Planifique la ruta de cableado. Mantenga los cables RCA juntos pero aislados de los cables de alimentación del amplificador y de cualquier accesorio del automóvil de alta potencia, especialmente de motores eléctricos. Esto se hace para evitar ruido de acoplamiento de campos eléctricos irradiantes en la señal de audio. Cuando pase los cables por el muro contra fuego o por cualquier barrera metálica, protéjalos con ojales de plástico o goma para evitar cortos circuitos. Deje los cables largos para poder ajustarlos posteriormente en forma precisa.
2. Prepare el cable ROJO (cable de alimentación) para conectarlo al amplificador, pelando 1/2 pulgada (1,3 cm) de la aislación desde el extremo final del cable. Inserte el cable sin aislación en el terminal B+ y ajuste el tornillo de fijación para asegurar el cable en su lugar.

NOTA: El cable B+ DEBE estar fusionado a 18 pulgadas (45,7 cm) de distancia o menos de la batería del vehículo. Instale el portafusibles debajo del capó y prepare los terminales del cable como se indicó anteriormente. Las conexiones no deberán permitir la entrada de agua.

3. Recorte el cable ROJO (cable de alimentación) a una distancia de 18 pulgadas (45,7 cm) de la batería y pele 1/2 pulgada (1,3 cm) de la aislación del extremo final del cable. Corte el bucle de cable que está unido al portafusibles a la mitad y empalme el fusible en la línea de alimentación usando los conectores de entrada correctos. Use la sección de cable que recortó anteriormente y conéctela al otro extremo del portafusibles.
4. Pele 1/2 pulgada (1,3 cm) del cable de alimentación del extremo de la batería y engarce a presión un anillo terminal grande al cable. Use el terminal del anillo para conectar al terminal positivo de la batería. **No instale el fusible en este momento.**
5. Prepare el cable NEGRO (cable a tierra) para conectarlo al amplificador, pelando 1/2 pulgada (1,3 cm) de la aislación del extremo final del cable. Inserte el cable sin aislación en el terminal GND (tierra) y ajuste el tornillo de fijación para asegurar el cable en su lugar. Prepare la conexión a tierra en el chasis raspando la pintura de la superficie de metal y limpie minuciosamente el polvo y la grasa del área. Pele el otro extremo del cable y conecte un anillo conector. Ajuste el cable al chasis con un tornillo no anodizado y una arandela en estrella.

Use uno de los dos métodos de conexión siguientes:

Conexión del cable RCA

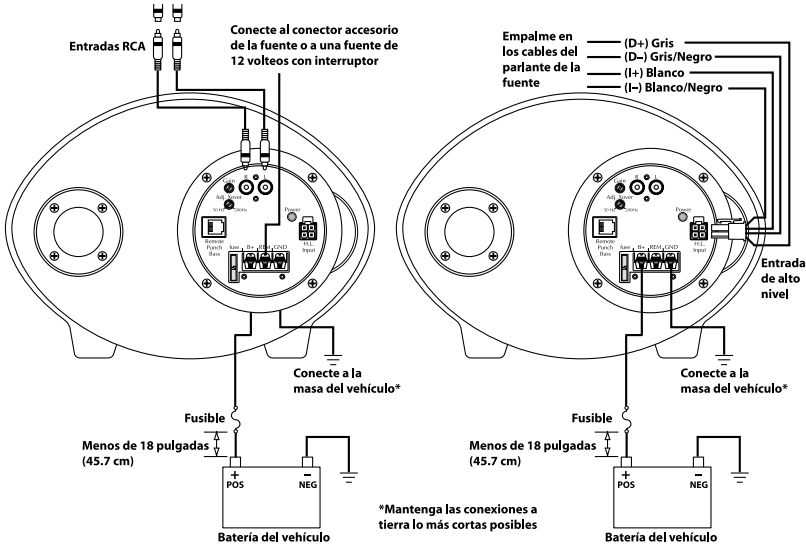
1. Prepare el cable de encendido REM para conectarlo al amplificador, pelando 1/2 pulgada (1,3 cm) de la aislación del extremo final del cable. Inserte el cable sin aislación dentro del terminal REM y ajuste el tornillo de fijación para asegurar el cable en su lugar. Conecte el otro extremo del cable REM a una fuente positiva de 12 voltios con interruptor. El voltaje conmutado generalmente se toma de la antena o de un conductor accesorio de la fuente. Si la unidad fuente no tiene estas salidas, se recomienda cablear un interruptor mecánico en línea con una fuente de 12 voltios para activar el amplificador.

- Conecte las entradas del cable RCA en sus tomas correspondientes del subwoofer amplificado.

Conexión de entrada de alto nivel (H.L.)

- Con el cable provisto, empalme directamente en las salidas de los parlantes de la fuente. No rompa la conexión con la unidad fuente y los parlantes. Asegúrese de mantener la polaridad correcta en los parlantes. NO conecte ninguno de los conductores de los parlantes a tierra, ya que esto puede resultar en un funcionamiento inestable.

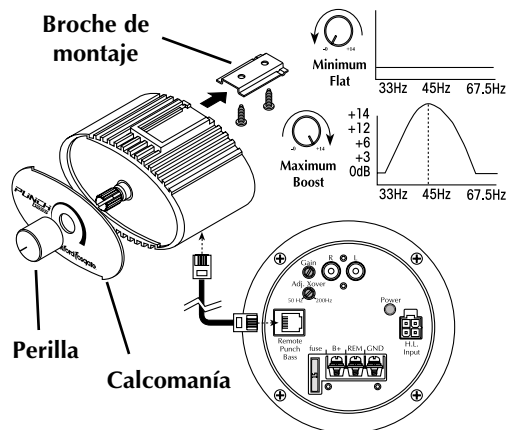
NOTA: Este método no requiere una conexión REM. Cuando se suministra alimentación a los cables de los parlantes de la fuente, el subwoofer amplificado automáticamente se encenderá.



REMOTO PUNCH BASS

Montaje e instalación

- Encuentre un lugar debajo del tablero o cerca del centro de la consola, el cual permita acceder fácilmente al remoto.
- Con los tornillos provistos, instale el broche de montaje con las aletas hacia la parte de atrás.
- Pase el cable para el remoto y conéctelo al remoto y al subwoofer amplificado.
- Deslice el remoto hacia el broche de montaje hasta que encaje en su lugar.
- Instale la calcomanía y la perilla en el remoto.



INSTALACIÓN

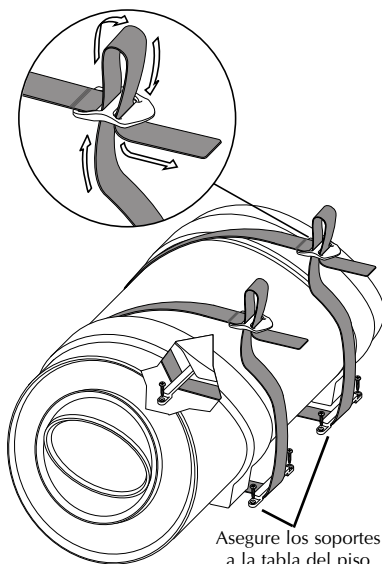
INSTALACIÓN DE SOPORTES DE ANCLAJE

⚠ ATENCIÓN: Antes de taladrar revise debajo del vehículo para prevenir daños en las conducciones de frenos o carburante.

Coloque el recinto en la posición deseada y posicione los soportes de anclaje aproximadamente a 10 cm hacia el interior de los finales del recinto. Júntelos lo más posible al recinto sin mover el mismo.

Cuidadosamente, quite el recinto y fije los soportes usando los tornillos que se le han suministrado.

NOTA: Preste atención donde atornilla los soportes. Evite paneles de plástico y cartón piedra. Si lo hiciera los tornillos podrían arrancarse por la vibración de la carretera o durante una frenada brusca.



INSTALACIÓN DE BRIDAS DE ANCLAJE

Asegure los ángulos de montaje y posicione el tubo en el lugar deseado (sobre los ángulos) estire las bridas y asegúrelas.

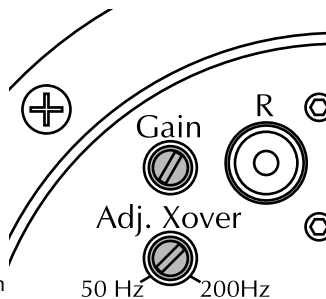
NOTA: Asegúrese de que las bridas pasan por el bucle correctamente. Verifique regularmente que el tubo esté fijamente asegurado.

OPERACIÓN

AJUSTE DE LA GANANCIA

Para ajustar el valor de la ganancia, baje la ganancia del amplificador completamente. Suba el volumen de la unidad fuente hasta que la distorsión sea audible y luego bájelo un poco hasta que la distorsión no pueda escucharse. En la mayoría de las fuentes, esto ocurrirá a aproximadamente dos tercios del volumen total. A continuación, suba la ganancia del amplificador nuevamente hasta que la distorsión sea audible y luego bájela hasta que sea inaudible. Las unidades fuentes Rockford Fosgate no distorsionan. Por eso, el volumen puede usarse al máximo.

NOTA: Para un procedimiento de calibración más detallado, comuníquese con el Departamento de Asistencia Técnica de Rockford.



AJUSTE DEL PUNTO DEL DIVISOR DE FRECUENCIAS ELECTRÓNICO

Gire la perilla del ajuste de entrecruzamiento totalmente hacia abajo. Con el sistema funcionando, gire la perilla de ajuste de entrecruzamiento lentamente hacia arriba, hasta lograr el punto del divisor de frecuencias electrónico deseado.

NOTA: Si tiene problemas después de la instalación, siga los procedimientos de solución de fallas descritos a continuación.

Procedimiento 1: Verifique que el amplificador esté bien conectado.

Verifique que la luz de ALIMENTACIÓN (POWER) esté encendida. Si la luz de ALIMENTACIÓN está encendida prosiga con el Procedimiento 2. De no ser así, continúe.

1. Verifique el fusible en línea en el cable positivo de la batería. Reemplace si es necesario.
2. Verifique que la conexión a tierra esté conectada a un área de metal limpia del chasis del vehículo. Repare o reemplace si es necesario.
3. Verifique que haya una corriente de 10,5 – 15,5 voltios en el cable positivo de la batería y en el cable de encendido remoto. Verifique la calidad de las conexiones de ambos cables en el amplificador, el estéreo y la batería/portafusibles. Repare o reemplace si es necesario.

Procedimiento 2: Verifique la salida de audio del amplificador.

1. Verifique que haya buenas conexiones RCA/de alto nivel de entrada en el estéreo y el amplificador. Fíjese que no haya pellizcos, empalmes, etc. en todo el largo de los cables. Pruebe las entradas RCA/de alto nivel para la CA actual con el estéreo encendido. Repare o reemplace si es necesario.
2. Desconecte la entrada RCA/de alto nivel del amplificador. Conecte la entrada de RCA/de alto nivel del estéreo de prueba directamente a la entrada del amplificador.

Procedimiento 3: Verifique el amplificador si tiene chasquidos al encender.

1. Desconecte la señal de entrada al amplificador y encienda y apague el amplificador.
2. Si el ruido se elimina, conecte el conductor REM del amplificador a la unidad fuente con un módulo de encendido de retardo.

O

1. Use una fuente de 12 voltios distinta para el conductor REM del amplificador (ejemplo, directo a la batería).
2. Si el ruido se elimina, use un relé para aislar el amplificador de la salida de encendido ruidosa.

Procedimiento 4: Verifique el amplificador si siente excesivo ruido de motor.

1. Pase todos los cables que llevan señales (RCA, cables de parlantes) lejos de los cables de alimentación y de tierra.

O

2. Desvíe cualquiera y todos los componentes eléctricos entre el estéreo y los amplificadores. Conecte el estéreo directamente a la entrada del amplificador. Si el ruido desaparece la unidad que está siendo desviada es la causa del ruido.

O

3. Quite los cables a tierra existentes de todos los componentes eléctricos. Vuelva a conectarlos a tierra en lugares diferentes. Verifique que el sitio de conexión a tierra esté limpio, que sea metal brillante sin pintura, óxido, etc.

O

SOLUCIÓN DE FALLAS

- Añada un cable a tierra secundario desde el terminal negativo de la batería al chasis de metal o al bloque del motor del vehículo.

O

- Haga que su mecánico pruebe la carga del alternador y la batería. Verifique que el sistema eléctrico del vehículo esté en orden, incluyendo el distribuidor, las bujías, los cables de las bujías, el regulador de voltaje, etc.

Español

ESPECIFICACIONES

Número del Modelo del Sistema	RFT3061A	RFT3081A	RFT3101A
Respuesta de frecuencia	50Hz-200Hz	45Hz-150Hz	40Hz-125Hz
Potencia de salida	100W	100W	100W
Medidas generales (pulg.)—			
Altura	7 11/16"	9 1/8"	10 13/16"
Ancho	10 5/8"	12 11/16"	15"
Largo	15 9/16"	17 7/16"	24 1/16"
Peso (lbs.)	8.0	13.0	21.0

INFORMACIÓN SOBRE LA GARANTÍA LIMITADA

Rockford Corporation ofrece una garantía limitada para los productos Rockford Fosgate según los siguientes términos:

Duración de la garantía

3 años en productos electrónicos	90 días en productos electrónicos restaurados (se requiere recibo)
1 año en unidades fuentes	90 días en parlantes restaurados (se requiere recibo)
1 año en parlantes	

Qué está cubierto

Esta garantía se aplica solamente a los productos Rockford Fosgate vendidos a consumidores por Concesionarios Autorizados Rockford Fosgate en los Estados Unidos o sus posesiones. Los productos comprados por consumidores de un Concesionario Autorizado Rockford Fosgate en otro país están cubiertos solamente por el Distribuidor de dicho país y no por Rockford Corporation.

Quién está cubierto

Esta garantía cubre solamente al comprador original del producto Rockford comprado de un Concesionario Autorizado de Rockford Fosgate en los Estados Unidos. Para poder recibir el servicio, el comprador debe proporcionar a Rockford una copia del recibo indicando el nombre del cliente, nombre del concesionario, producto comprado y fecha de la compra.

Los productos que estén defectuosos durante el período de la garantía serán reparados o reemplazados (con un producto considerado equivalente) a entera discreción de Rockford.

Qué no está cubierto

1. Daños causados por accidentes, abusos, funcionamiento inadecuado, agua, robo
2. Cualquier costo o gasto relacionado con la remoción o nueva instalación del producto
3. Servicios prestados por alguien que no sea un Centro de Servicio Autorizado por Rockford Fosgate
4. Cualquier producto que tenga el número de serie borrado, alterado o removido
5. Daños posteriores a otros componentes
6. Cualquier producto comprado fuera de los EE.UU.
7. Cualquier producto no comprado a un Concesionario Autorizado de Rockford Fosgate

Límite de las garantías implícitas

Cualquier garantía implícita incluyendo las garantías de aptitud de uso y comerciabilidad, está limitada, en duración al período de la garantía expresa indicada anteriormente. Algunos estados no permiten limitaciones en la duración de una garantía implícita, de modo que esta limitación puede no aplicarse. Ninguna persona está autorizada a asumir en nombre de Rockford Fosgate cualquier otra obligación en conexión con la venta del producto.

Cómo obtener servicio

Por favor, llame al 1-800-669-9899 para obtener Servicio al Cliente de Rockford. Debe obtener un No. RA (Número de autorización de devolución) para enviar cualquier producto a Rockford Fosgate. Usted es responsable por el envío del producto a Rockford.

Enviar a: **Electronics**
Rockford Corporation
Warranty Repair Department
2055 E. 5th Street
Tempe, AZ 85281
RA#: _____

Enviar a: **Speakers**
Rockford Acoustic Design
Speaker Returns
2356 Turner Ave. NW
Grand Rapids, MI 49544
RA#: _____

Liebe Kundin, lieber Kunde,

wir gratulieren Ihnen zu Ihrem Kauf von Autolautsprechern der besten Marke weltweit. Wir bei Rockford Fosgate sind Fanatiker, wenn es um die beste musikalische Reproduktion geht, und freuen uns darüber, dass Sie unser Produkt gewählt haben. Durch jahrelange Ingenieurserfahrung, Handwerkskunst und kritische Testverfahren haben wir ein weites Spektrum an Produkten geschaffen, die die Musik mit aller Klarheit und Klangschönheit reproduziert, die Sie verdienen.

Zur maximalen Performance empfehlen wir, dass Sie Ihr neues Rockford Fosgate Produkt von einem Vertragshändler von Rockford Fosgate einbauen lassen, da wir durch das Rockford Technical Training Institute (RTTI) spezialisierte Ausbildung bieten. Bitte lesen Sie Ihre Garantie und bewahren Sie Ihre Quittung und Originalverpackung zum eventuellen späteren Gebrauch auf.

Hervorragende Produkte und kompetenter Einbau sind nur Teile des Puzzles, wenn es um Ihr System geht. Vergewissern Sie sich, dass derjenige, der Ihr System einbaut, nur authentischen Installationszubehör von Connecting Punch bei Ihrem Einbau verwendet. Connecting Punch führt alles von RCA- und Lautsprecherkabeln zu Stromkabeln und Batterieadaptern. Bestehen Sie darauf! Schließlich verdient Ihr neues System nur das Beste.

Um Ihrem neuen Rockford Fosgate Image den letzten Schliff zu geben, bestellen Sie Ihre Rockford Accessoires. Dazu gehört alles von T-Shirts und Jacken zu Kappen und Sonnenbrillen.

Eine kostenlose Broschüre über Rockford Fosgate Produkte und Rockford Accessoires ist in den USA unter der Rufnummer (480) 967-3565 oder der Faxnummer (480) 967-8132 erhältlich. Anrufer aus anderen Ländern wählen bitte zunächst die Ländervorwahl +001.

PRAKTIZIEREN SIE SAFE SOUND

Fortgesetzte Geräuschdruckpegel von über 100 dB können beim Menschen zu permanentem Hörverlust führen.

Leistungsstarke Autosoundsysteme können Geräuschdruckpegel erzeugen, die weit über 130 dB liegen.

Bitte wenden Sie gesunden Menschenverstand an und praktizieren Sie sicheren Sound.

Falls Sie nach der Lektüre Ihrer Gebrauchsanleitung noch Fragen hinsichtlich dieses Produkts haben, empfehlen wir, dass Sie einen Rockford Fosgate Vertragshändler kontaktieren. Wenn Sie weitere Fragen haben, können Sie uns direkt unter 1-800-669-9899 anrufen. Bei Ihrem Anruf haben Sie bitte die Seriennummer, Modellnummer und das Kaufdatum griffbereit.

Die Seriennummer befindet sich auf der Außenseite der Verpackung. Bitte notieren Sie diese Nummer nachfolgend, so dass sie stets bei Ihren Unterlagen ist. Sie dient zur Verifizierung Ihrer Werksgarantie und kann sich als nützlich erweisen, sollte Ihr Gerät jemals gestohlen werden.

Serial Number: _____

Model Number: _____

Einleitung	2
Sicherheitshinweise	4
Inhalt des Kartons	4
Einbau	4-8
<i>Einbauüberlegungen</i>	4
<i>Befestigungsstellen</i>	5
<i>Verkabelung des Systems</i>	6
<i>Punch Bass Fernbedienung</i>	7
<i>Einbau der Halterungen</i>	8
<i>Einbau der Befestigungsriemen</i>	8
Bedienung	8
<i>Lautstärke einstellen</i>	8
<i>Crossover einstellen (Adj. Xover)</i>	8
Fehlerbeseitigung	9-10
Technische Daten	10
Informationen zur Garantie	11

HINWEIS: *Lesen Sie jeden Abschnitt für detaillierte Informationen.*

HIER GEHT'S LOS

Willkommen bei Rockford Fosgate! Diese Anleitung bietet dem Besitzer, Verkäufer und Einbauenden Informationen. Kurzgefasste Informationen zum Einbau dieses Produkts finden sich im **Abschnitt „Einbau“** dieser Anleitung. Andere Informationen können Sie mithilfe des Inhaltsverzeichnisses auffinden. Wir bei Rockford Fosgate haben uns sehr darum bemüht, dass alle in dieser Anleitung enthaltenen Informationen auf dem neusten Stand sind. Da wir unsere Produkte jedoch ständig weiterentwickeln, können sich diese Informationen jedoch ohne Ankündigung ändern.

Die neusten Informationen über alle Rockford Produkte finden Sie auf unserer Website im Internet.

www.rockfordfosgate.com


SICHERHEITSHINWEISE


WARNUNG


Dieses Symbol mit dem Wort „WARNUNG“ soll den Benutzer auf wichtige Hinweise aufmerksam machen. Nichtbeachtung der Hinweise führt zu schweren Verletzungen oder Tod.

VORSICHT

Dieses Symbol mit dem Wort „VORSICHT“ soll den Benutzer auf wichtige Hinweise aufmerksam machen. Nichtbeachtung der Hinweise kann zu Verletzungen oder Schäden am Gerät führen.

 **VORSICHT:** Bitte lesen Sie zur Vermeidung von Verletzungen und Schäden am Gerät die Hinweise in dieser Anleitung. Wir möchten, dass Ihr System Ihnen Freude, nicht Kopfschmerzen bereitet.

 **VORSICHT:** Wenn Sie beim Einbau des Geräts unsicher sind, lassen Sie es bitte von einem qualifizierten Rockford Fosgate Techniker einbauen.

 **VORSICHT:** Entfernen Sie vor dem Einbau den negative Batteriepol, um Schäden am Gerät, Feuer bzw. mögliche Verletzungen zu vermeiden.

Deutsch

INHALT DES KARTONS

Verstärkter Tieftöner, entweder Modell RFT3061A, RFT3081A oder RFT3101A
Einbau- und Betriebsanleitung

Befestigungsbänderset
Punch Bass Fernbedienungsset mit Kabel
1 Sicherungsstecker

EINBAU


EINBAUÜBERLEGUNGEN


Die nachfolgenden Werkzeuge werden für den Einbau benötigt:

Spannungs- und Widerstandsmesser
Abisolierzange
Drahtkripper
Drahtschere

Kreuzschraubenzieher Nr. 2
Batteriestützenschlüssel
Handbohrer mit verschiedenen Bohrspitzen
Schumpfschlauch (3 mm Durchmesser)

Dieser Abschnitt konzentriert sich auf bestimmte Überlegungen zum Einbau Ihres neuen verstärkten Tieftöners im Fahrzeug. Vorausplanung Ihres Systemlayouts und der besten Verkabelungsrouten spart Zeit beim Einbau. Prüfen Sie bei der Wahl eines Layouts für Ihr neues System, ob alle Komponenten leicht erreichbar sind, um Einstellungen vorzunehmen.

 **VORSICHT:** Wenn Sie beim Einbau des Geräts unsicher sind, lassen Sie es bitte von einem qualifizierten Rockford Fosgate Techniker einbauen.

 **VORSICHT:** Entfernen Sie vor dem Einbau den negative Batteriepol, um Schäden am Gerät, Feuer bzw. mögliche Verletzungen zu vermeiden.

Befolgen Sie vor dem Einbau diese einfachen Regeln:

1. Lesen Sie die Anleitung sorgfältig, bevor Sie versuchen das Gerät einzubauen.
2. Entfernen Sie vor dem Einbau aus Sicherheitsgründen das negative Kabel von der Batterie.
3. Um die Montage zu erleichtern, empfehlen wir, alle Kabel vor der Befestigung des Source-Geräts zu verlegen.
4. Verlegen Sie alle RCA-Kabel dicht zusammen und im Abstand zu jeglichen Hochstromkabeln.
5. Verwenden Sie nur Qualitätsstecker, um einen verlässlichen Einbau zu gewährleisten und Signal- und Stromverlust zu minimieren.
6. Denken Sie nach, bevor Sie bohren! Achten Sie darauf, nicht in den Benzintank, die Benzin-, Brems- oder hydraulische Leitungen, Vakuumleitungen oder Elektrokabel zu schneiden oder zu bohren, wenn Sie an einem Fahrzeug arbeiten.
7. Verlegen Sie Kabel nie unter dem Fahrzeug. Die Kabel im Fahrzeug zu verlegen, bietet den besten Schutz.
8. Vermeiden Sie es, Kabel über scharfe Kanten zu verlegen. Verwenden Sie Gummi- oder Plastikringe, um Kabel zu schützen, die durch Metall verlegt werden (besonders die Feuerwand).
9. Schützen Sie die Batterie und das elektrische System IMMER durch ordnungsgemäße Sicherungen vor Schäden. Installieren Sie die entsprechende Sicherungshalterung und Sicherung auf dem +12V Stromkabel maximal 45 cm vom Batteriepol.
10. Kratzen Sie bei der Erdung über das Fahrgestell alle Farbe vom Metall, um eine gute, saubere Erdungsverbindung zu gewährleisten. Erdungsverbindungen sollten so kurz wie möglich und stets an Metall angeschlossen sein, das an die Karosserie oder das Fahrgestell geschweißt ist.

BEFESTIGUNGSSTELLEN

Die Stelle, an der Ihr verstärkter Tieftöner eingebaut ist, wirkt sich stark auf die erzielte Soundperformance aus.

Motorraum

Das Gerät darf nicht im Motorraum installiert werden. Ein solcher Einbau führt zum Verlust der Garantie.




Einbau im Kofferraum

Einbau des Geräts im Kofferraum bietet insgesamt gute Performance.

Einbau im Innenraum

Einbau des Source-Geräts im Innenraum bietet optimalen Sound, reduziert jedoch den Platz für Mitfahrer.

VERKABELUNG DES SYSTEMS

-  **VORSICHT:** Wenn Sie beim Einbau des Geräts unsicher sind, lassen Sie es bitte von einem qualifizierten Rockford Fosgate Techniker einbauen.
-  **VORSICHT:** Entfernen Sie vor dem Einbau den negative Batteriepol, um Schäden am Gerät, Feuer bzw. mögliche Verletzungen zu vermeiden.
-  **VORSICHT:** Vermeiden Sie es, Stromkabel in der Nähe von niedrigaktiven Eingangskabeln, der Antenne, Stromleitungen, empfindlichem Gerät oder Halterungen zu verlegen. Die Stromkabel leiten erheblichen Strom und können Geräusche im Audiosystem verursachen.

Deutsch

1. Planen Sie die Kabelrouten. Die RCA-Kabel sollen dicht zusammen bleiben, aber von den Stromkabeln des Verstärkers und anderem Hochleistungszubehör, insbesondere von elektrischen Motoren isoliert sein. Dies dient dazu, die Kupplung von Geräuschen aus elektrischen Strahlungsfeldern in das Audiosignal zu verhindern. Werden Kabel durch die Feuerwand oder andere Metallbarrieren geführt, die Kabel zur Vermeidung von Kurzschlüssen mit Plastik- oder Gummiringen schützen. Die Kabel zunächst etwas länger lassen und erst später exakt anpassen.
2. Das ROTE Kabel (Stromkabel) zur Befestigung am Verstärker durch Abziehen von 13 mm der Isolation am Kabelende vorbereiten. Das freigelegte Kabel in den B+ Pol einführen und die Befestigungsschraube anziehen.

HINWEIS: Das B+ Kabel MUSS mit einer Sicherung versehen sein, die höchstens 45 cm von der Fahrzeugbatterie entfernt ist. Die Sicherungshalterung unter der Motorhaube befestigen und die Kabelenden wie oben beschrieben vorbereiten. Die Verbindungen müssen wasserdicht sein.

3. Das ROTE Kabel (Stromkabel) höchstens 45 cm von der Batterie trimmen und 13 mm der Isolation am Kabelende abziehen. Die Kabelschlinge, die an der Sicherungshalterung befestigt ist, in Hälften schneiden und die Sicherung unter Verwendung der entsprechenden Inline-Verbindungsstücke in das Stromkabel spleißen. Den Teil des zuvor getrimmten Kabels am anderen Ende der Sicherungshalterung anbringen.
4. Vom Batterieende des Stromkabels 13 mm Isolierung abziehen und einen großen, ringförmigen Stecker zur Befestigung am positiven Batteriepol an das Kabel crimpen. **Die Sicherung noch nicht anbringen.**
5. Das SCHWARZE Kabel (Erdungskabel) zur Befestigung am Verstärker durch Abziehen von 13 mm der Isolation am Kabelende vorbereiten. Das freigelegte Kabel in den GND-Pol einführen und die Befestigungsschraube anziehen. Den Untergrund am Fahrgestell durch Abkratzen der Farbe von der Metalloberfläche und sorgfältiges Reinigen des Bereichs von Schmutz und Schmiere vorbereiten. Die Isolation am anderen Ende des Kabels abziehen und einen ringförmigen Stecker anbringen. Das Kabel mittels einer nichteloxierten Schraube und einer Sternunterlegscheibe am Fahrgestell befestigen.

Verwenden Sie eine der beiden folgenden Anschlussmethoden:

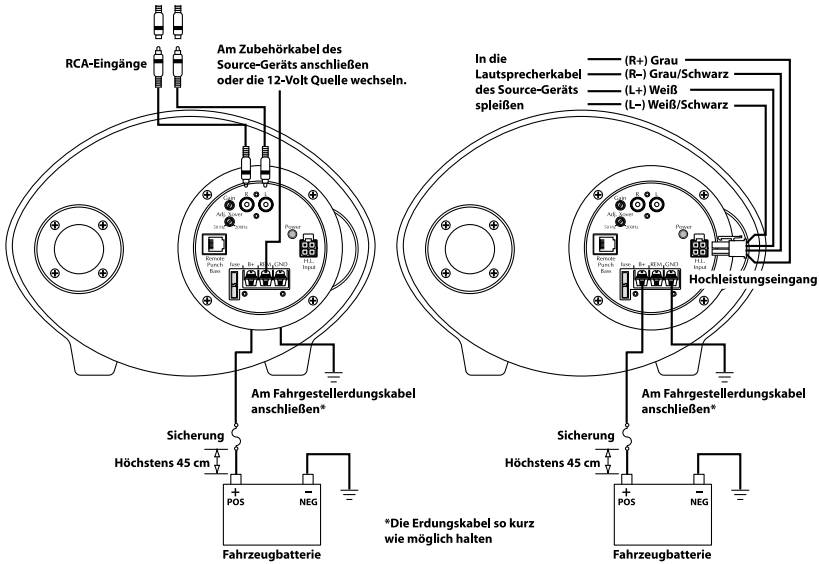
RCA-Kabelanschluss

1. Das Fernbedienungsanschlusskabel zur Befestigung am Verstärker durch Abziehen von 13 mm der Isolation am Kabelende vorbereiten. Das freigelegte Kabel in den Fernbedienungspol einführen und die Befestigungsschraube anziehen. Das andere Ende des Fernbedienungskabels an eine geschaltete positive 12-Volt Quelle anschließen. Die geschaltete Spannung wird normalerweise vom Autoantennen- oder Zubehörkabel des Source-Geräts geholt. Sollte das Source-Gerät derartige Ausgänge nicht haben, wird empfohlen, stattdessen einen mechanischen Schalter in das Kabel zu einer 12-Volt Quelle einzubauen, um den Verstärker zu aktivieren.
2. Die RCA-Kabeleingänge an ihren jeweiligen Steckern am verstärkten Tieftöner anschließen.

Hochleistungs-Eingangsverbindung (H.L.)

- Das beiliegende Kabel direkt in the Lautsprecherausgänge des Source-Geräts spleißen. Die Verbindung zum Source-Gerät und den Lautsprechern nicht unterbrechen. Die ordnungsgemäße Lautsprecherpolarität prüfen. Die Lautsprecher NICHT am Fahrgestell erden, da dies zu unstabilem Betrieb führen kann.

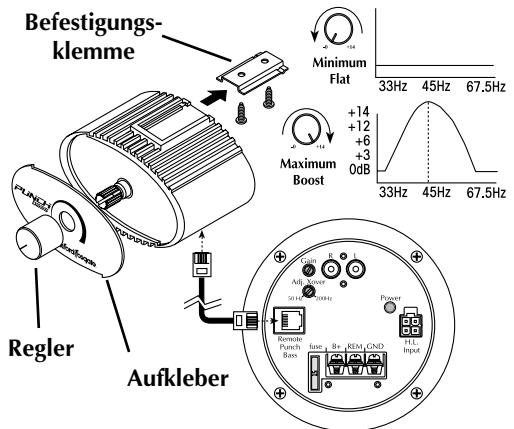
HINWEIS: Ein Fernbedienungsanschluss ist für diese Methode nicht erforderlich. Wenn die Lautsprecherkabel von der Quelle Strom erhalten, wird der verstärkte Tieftöner automatisch angestellt.



PUNCH BASS FERNBEDIENUNG

Mounting and installation

- Eine Stelle unter dem Armaturenbrett oder nahe der Mittelkonsole wählen, die leichten Zugriff auf die Fernbedienung erlaubt.
- Mithilfe der beiliegenden Schrauben die Befestigungsklemme mit den Spitzen nach hinten einbauen.
- Das Kabel für die Fernbedienung verlegen und sowohl an der Fernbedienung als auch am Tieftöner anschließen.
- Die Fernbedienung in die Befestigungsklemme schieben, bis sie einrastet.
- Aufkleber und Regler auf der Fernbedienung anbringen.

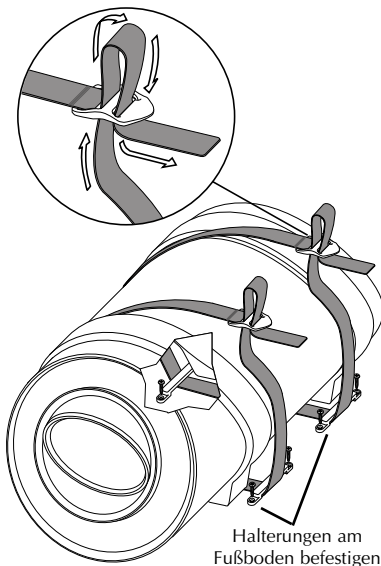


EINBAU DER HALTERUNGEN

! VORSICHT: Schauen Sie vor dem Bohren unter dem Fahrzeug nach, wo Brems- und Benzinleitungen usw. liegen, so dass diese nicht beschädigt werden.

Das Gehäuse an der gewünschten Stelle platzieren und die Halterungen jeweils ca. 10 cm von den Enden entfernt positionieren. Die Halterungen so nah wie möglich an das Gehäuse drücken, ohne es zu bewegen oder anzuheben. Das Gehäuse vorsichtig entfernen und die Halterungen mit den beiliegenden Schrauben befestigen.

HINWEIS: Das Gehäuse nicht an Papp- oder Plastikpanelen befestigen. Dies kann dazu führen, dass die Schrauben sich durch Straßenvibrationen oder plötzliches Anhalten aus den Panelen lösen.



EINBAU DER BEFESTIGUNGSRIEMEN

Die Riemen durch die Halterungen ziehen und das Gehäuse über den Riemen positionieren. Die Riemen fest anziehen.

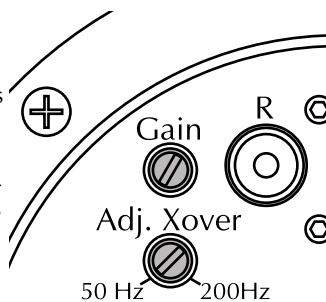
HINWEIS: Prüfen Sie, ob die Befestigungsriemen ordnungsgemäß durch die Schnallen geführt sind. Vergewissern Sie sich regelmäßig, dass das Gehäuse noch fest an seinem Platz ist.

BETRIEB

LAUTSTÄRKE (GAIN) EINSTELLEN

Zur Anpassung der Lautstärkereinstellung den Verstärker abdrehen. Die Lautstärke des Source-Geräts aufdrehen, bis eine Verzerrung hörbar wird, und sie dann etwas abdrehen, bis die Verzerrung nicht mehr hörbar ist. Dies erfordert bei den meisten Source-Geräten eine Zweidrittel-Einstellung. Als nächstes den Verstärker aufdehnen, bis eine Verzerrung erneut hörbar wird, und ihn dann abdrehen, bis die Verzerrung nicht mehr hörbar ist. Rockford Fosgate Source-Geräte verzerren nicht. Daher kann die Lautstärke bis zum Maximum aufgedreht werden.

HINWEIS: Kontaktieren Sie den technischen Kundendienst von Rockford für genauere Einstellungsverfahren.



CROSSOVER EINSTELLEN (Adj. Xover)

Den Crossover-Regler ganz abdrehen. Während das System läuft, den Crossover-Regler langsam aufdrehen, bis der gewünschte Crossover-Punkt erreicht ist.

HINWEIS: Falls Sie nach dem Einbau Probleme haben, befolgen Sie die nachfolgenden Verfahren zur Fehlerbeseitigung:

Verfahren 1: Den Verstärker auf ordnungsgemäße Anschlüsse überprüfen.

Prüfen, ob das POWER-Licht leuchtet. Wenn das POWER-Licht leuchtet, bei Schritt 2 weitermachen. Falls nicht, hier weiterlesen.

1. Die Inline-Sicherung am positiven Batteriekabel prüfen. Falls erforderlich, ersetzen.
2. Prüfen, ob die Erdung mit blankem Metall des Fahrgestells verbunden ist. Falls erforderlich, reparieren bzw. ersetzen.
3. Prüfen, ob am positiven Pol der Batterie und am Fernbedienungs-Anschaltkabel 10,5 - 15,5 Volt Strom vorhanden ist. Die Verbindungen beider Kabel am Verstärker, an der Stereoanlage und der Batterie- bzw. Sicherungshalterung auf ihre Qualität prüfen. Falls erforderlich, reparieren bzw. ersetzen.

Verfahren 2: Die Audioleistung des Verstärkers prüfen.

1. Prüfen, ob gute RCA- bzw. Hochleistungs-Eingangsverbindungen an der Stereoanlage und am Verstärker vorhanden sind. Die Kabel in ihrer gesamten Länge auf Knicke, Spleiße usw. prüfen. Die RCA- bzw. Hochleistungs-Eingänge bei angeschalteter Stereoanlage auf Wechselstrom prüfen. Falls erforderlich, reparieren bzw. ersetzen.
2. Den RCA- bzw. Hochleistungs-Eingang vom Verstärker entfernen und von der Test-Stereoanlage direkt mit dem Eingang des Verstärkers verbinden.

Verfahren 3: Prüfen, ob beim Anstellen des Verstärkers ein Knacken auftritt.

1. Das Eingangssignal zum Verstärker entfernen und den Verstärker ein- und ausschalten.
2. Falls das Geräusch eliminiert ist, das Fernbedienungskabel des Verstärkers mit einem Delay-Anschaltmodul am Source-Gerät anschließen.

ODER

1. Eine andere 12-Volt Quelle für das Fernbedienungskabel des Verstärkers verwenden (d.h. direkt von der Batterie).
2. Falls das Geräusch eliminiert ist, ein Relais zur Isolierung des Verstärkers von Anschlaggeräuschen verwenden.

Verfahren 4: Den Verstärker auf übermäßige Motorengeräusche prüfen.

1. Alle signalübertragenden Kabel (RCA-, Lautsprecherkabel) von Strom- und Erdungskabeln entfernt verlegen.

ODER

2. Alle elektrischen Komponenten zwischen der Stereoanlage und dem/den Verstärker(n) umgehen. Die Stereoanlage direkt am Verstärkereingang anschließen. Falls das Geräusch eliminiert ist, ist das umgangene Gerät die Ursache des Geräuschs.

ODER

3. Die vorhandenen Erdungskabel aller elektrischen Komponenten entfernen. Die Kabel an anderen Stellen wieder erden. Prüfen, ob die Erdungsstelle sauberes, glänzendes Metall ist, das frei von Farbe, Rost usw. ist.

ORER

FEHLERBESEITIGUNG

4. Ein zweites Erdungskabel vom Negativpol der Batterie zum Fahrgestellsmetall oder Motorblock des Fahrzeugs hinzufügen.

ODER

5. Die Drehstromlichtmaschine und Batterieladung von ihrem Mechaniker prüfen lassen. Die ordnungsgemäße Funktion des elektrischen Systems am Fahrzeug prüfen, und zwar einschließlich des Verteilers, der Zündkerzen, der Zündkerzenkabel, des Spannungsreglers usw.

Deutsch

TECHNISCHE DATEN

Systemmodellnummer	RFT3061A	RFT3081A	RFT3101A
Frequenzverhalten	50Hz-200Hz	45Hz-150Hz	40Hz-125Hz
Leistungsabgabe	100W	100W	100W
Gesamtmaße (cm)—			
Höhe	7 11/16"	9 1/8"	10 13/16"
Breite	10 5/8"	12 11/16"	15"
Länge	15 9/16"	17 7/16"	24 1/16"
Gewicht (kg)	8.0	13.0	21.0

INFORMATIONEN ZUR BESCHRÄNKTEN GARANTIE

Rockford Corporation bietet für Rockford Fosgate Produkte eine beschränkte Garantie zu folgenden Bedingungen:

Laufzeit der Garantie

3 Jahre auf elektronische Komponenten	90 Tage auf elektronischen B-Bestand (Quittung erforderlich)
1 Jahr auf Source-Geräte	90 Tage auf Lautsprecher B-Bestand (Quittung erforderlich)
1 Jahr auf Lautsprecher	

Was gedeckt ist

Diese Garantie erstreckt sich nur auf Rockford Fosgate Produkte, die von Rockford Fosgates Vertragshändlern an Verbraucher in den Vereinigten Staaten von Amerika oder deren Besitzungen verkauft wurden. Produkte, die von Rockford Fosgates Vertragshändlern an Verbraucher in einem anderen Land verkauft wurden, sind nur durch den Händler in dem betreffenden Land, nicht jedoch durch die Rockford Corporation gedeckt.

Wer ist gedeckt

Diese Garantie deckt nur den ursprünglichen Käufer von Rockford Produkten, die von einem Rockford Fosgate Vertragshändler in den Vereinigten Staaten gekauft wurden. Um Leistungen in Anspruch zu nehmen, muss der Käufer Rockford eine Kopie der Quittung vorlegen, die den Kundennamen, den Händlernamen, das Produkt und das Kaufdatum angibt.

Produkte, die sich während der Garantiezeit als defekt erweisen, werden nach Rockford Fosgates Ermessen repariert oder (mit einem Produkt, das als gleichwertig erachtet wird,) ersetzt.

Was nicht gedeckt ist

1. Schäden, die durch Unfall, Missbrauch, unsachgemäßen Betrieb, Wasser oder Diebstahl verursacht wurden
2. Jegliche Kosten, die im Zusammenhang mit Ein- bzw. Ausbau des Produkts entstanden sind
3. Leistungen, die nicht von Rockford oder einem autorisierten Rockford Fosgate Servicecenter erbracht wurden
4. Produkte, an denen die Seriennummer unkenntlich gemacht, verändert oder entfernt wurde
5. Folgeschäden an anderen Komponenten
6. Produkte, die außerhalb der USA gekauft wurden
7. Produkte, die nicht von einem Rockford Fosgate Vertragshändler gekauft wurden

Einschränkung von implizierten Garantien

Implizierte Garantien, einschließlich von Garantien der Eignung für einen bestimmten Zweck und Marktgängigkeit, werden auf den Zeitraum der obenstehenden ausdrücklichen Garantie beschränkt. Manche Staaten erlauben Einschränkungen der Gültigkeit der implizierten Garantie nicht. Daher trifft diese Einschränkung nicht in allen Fällen zu.

Inanspruchnahme des Kundendienstes

Bitte rufen Sie den Rockford Kundendienst unter 1-800-669-9899 an. Sie erhalten dann eine RA# (Rücksendungsautorisierungsnummer), um jegliche Produkte an Rockford Fosgate zurückzusenden. Sie sind für die Rücksendung des Produkts an Rockford verantwortlich.

Ship to: Electronics

Rockford Corporation
Warranty Repair Department
2055 E. 5th Street
Tempe, AZ 85281
RA#: _____

Ship to: Speakers

Rockford Acoustic Design
Speaker Returns
2356 Turner Ave. NW
Grand Rapids, MI 49544
RA#: _____

INTRODUZIONE

Egregio cliente,

Ci congratuliamo con voi per aver acquistato la miglior marca mondiale nel campo degli altoparlanti per automobili. Alla Rockford Fosgate, siamo fanatici per quanto riguarda la miglior riproduzione musicale e siamo compiaciuti che abbiate scelto il nostro prodotto. Dopo anni di competenza ingegneristica, maestria manuale e procedure di prova critica, abbiamo creato una larga gamma di prodotti che riproducono la musica con la limpidezza e la pienezza che vi meritate.

Per ottenere le massime prestazioni vi consigliamo di far installare il vostro nuovo prodotto Rockford Fosgate da un rivenditore autorizzato, in quanto noi forniamo un addestramento specializzato ai nostri tecnici attraverso il Rockford Fosgate Technical Training Institute (RTTI). Vi preghiamo di leggere con cura i termini della garanzia e di serbare sia la ricevuta che l'imballaggio originale per qualsiasi evenienza futura.

Un prodotto superiore ed un'installazione competente rappresentano soltanto una parte del quadro generale quando si tratta del vostro sistema audio. Dovrete assicurarvi che il vostro installatore abbia utilizzato accessori da installazione della Connecting Punch, autentici al 100%. La Connecting Punch ha proprio tutto—da cavi e fili RCA per altoparlanti a connettori Power di linea e di batterie. Insistete! Dopo tutto, il vostro nuovo sistema audio si merita solo il meglio.

Per aggiungere poi il tocco finale alla vostra nuova immagine da Rockford Fosgate, dovete ordinare gli accessori Rockford, che comprendono di tutto—dalle magliette e le giacche ai cappelli e gli occhiali da sole.

Per ottenere un opuscolo gratuito illustrante i prodotti della Rockford Fosgate nonché gli accessori, vi preghiamo di telefonare (dagli USA) al numero 480-967-3565 oppure di inviare una fax al numero 480-967-8132. Da tutti gli altri paesi, telefonare al numero +001-480-967-3565 oppure inviare una fax al numero +001-480-967-8132.

OSSERVATE LE REGOLE DEL "SUONO SENZA PERICOLI"

La costante esposizione a livelli di pressione acustica al di sopra dei 100dB possono causare la perdita permanente dell'udito. I sistemi audio ad alta potenza possono produrre livelli di pressione acustica ben superiori ai 130dB. Si consiglia il buon senso e l'osservanza delle regole del "suono senza pericoli"

Se dopo aver letto il vostro manuale, avete ancora delle domande al riguardo del vostro prodotto, vi preghiamo di consultare il vostro rivenditore Rockford Fosgate. Se necessitate di qualsiasi assistenza ulteriore, potrete telefonarci direttamente al numero 1-800-669-9899. Vi chiederemo di fornire il vostro numero di serie, numero di modello, e la data d'acquisto.

Il numero di serie è ubicato sull'esterno della scatola. Vi preghiamo di annotarlo in modo permanente nello spazio fornito di sotto. Questo numero vi servirà da verifica nei confronti della vostra garanzia di fabbrica e potrebbe rivelarsi utile nel recupero della vostra unità di fonte se mai venisse rubata.

Numero di serie: _____

Numero di modello: _____

Introduzione	2
Istruzioni di sicurezza	4
Contenuto dell'imballaggio	4
Installazione	4-8
<i>Considerazioni sull'installazione</i>	4
<i>Ubicazioni per il montaggio</i>	5
<i>Cablaggio del sistema audio</i>	6
<i>Toni bassi Punch a telecomando</i>	7
<i>Installazione delle staffe di montaggio</i>	8
<i>Installazione delle fascette di montaggio</i>	8
Funzionamento	8
<i>Regolazione di guadagno</i>	8
<i>Regolazione di incrocio</i>	8
Localizzazione/riparazione guasti	9-10
Specifiche	10
Informazioni inerenti alla garanzia	11

NOTA: Ripassare ciascuna sezione per ulteriori raggugli.

PRIMI PASSI

Benvenuti alla Rockford Fosgate! Questo manuale è stato concepito per fornire raggugli al proprietario, al rivenditore e all'installatore. Per coloro che desiderano informazioni rapide circa l'installazione di questo prodotto, vi preghiamo di consultare la **sezione Installazione** di questo manuale. Altri raggugli sono disponibili attraverso l'Indice. Alla Rockford Fosgate, abbiamo fatto di tutto per assicurarci che tutte le informazioni contenute in questo manuale fossero d'uso corrente. Pertanto, dato che siamo sempre alla ricerca di nuovi modi per migliorare i nostri prodotti, tali informazioni sono soggette a modifiche senza preavviso.

Vi preghiamo di visitare il nostro sito internet per le più recenti informazioni su tutti i prodotti Rockford.

www.rockfordfosgate.com

ISTRUZIONI DI SICUREZZA



AVVERTIMENTO

Questo simbolo con la dicitura "AVVERTIMENTO" intende avvertire l'utente alla presenza di istruzioni importanti. La mancata osservanza di queste istruzioni potrebbe causare gravi lesioni personali o persino la morte.



ATTENZIONE

Questo simbolo con la dicitura "ATTENZIONE" intende avvertire l'utente alla presenza di istruzioni importanti. La mancata osservanza di queste istruzioni potrebbe causare gravi lesioni personali o danni all'unità.



ATTENZIONE: Per evitare lesioni personali e danni all'unità, vi preghiamo di leggere e seguire le istruzioni in questo manuale. Desideriamo che questo sistema audio vi procuri soddisfazione, non un mal di capo.



ATTENZIONE: Se avete dei dubbi circa l'installazione, rivolgetevi ad un tecnico qualificato della Rockford Fosgate.



ATTENZIONE: Prima dell'installazione, scollegate il terminale negativo (-) della batteria per evitare danni all'unità, pericoli d'incendio e/o potenziali lesioni personali.

Italiano

CONTENUTO DELL'IMBALLAGGIO

Sottoaltoparlante amplificato per toni bassi, sia modello RFT3061A, RFT3081A o RFT3101A

Manuale di operazione e di funzionamento

Kit per fascette di montaggio

Kit per toni bassi Punch a telecomando con cordone

1 Connettore per fusibili

INSTALLAZIONE

CONSIDERAZIONI SULL'INSTALLAZIONE

Segue un elenco degli utensili necessari per eseguire l'installazione:

Voltmetro/ohmetro

Pinze spelafili

Pinze raggrinzafili

Pinze tagliafili

Cacciavite a croce no. 2


Chiave inglese per portabatterie

Trapano manuale e punte assortite

Tubo calettato a caldo, 1/8" di pollice

Questa sezione si concentra su alcune considerazioni a livello di veicolo inerenti all'installazione del vostro nuovo sottoaltoparlante amplificato per toni bassi. Programmando a priori la configurazione del vostro sistema audio nonché i migliori cablaggi, risparmierete tempo durante l'installazione. Quando avrete deciso la miglior configurazione per il vostro nuovo sistema audio, assicuratevi di poter accedere facilmente a ciascuna componente per effettuare le regolazioni necessarie.

 **ATTENZIONE:** Se avete dei dubbi circa l'installazione, rivolgetevi ad un tecnico qualificato della Rockford Fosgate.

 **ATTENZIONE:** Prima dell'installazione, scollegate il terminale negativo (-) della batteria per evitare danni all'unità, pericoli d'incendio e/o potenziali lesioni personali.

Prima di iniziare qualsiasi operazione d'installazione, vi consigliamo di seguire queste semplici regole:

1. Assicuratevi di aver letto tutte le istruzioni con cura e di averle capite prima di effettuare qualsiasi tentativo d'installazione nei confronti dell'unità.
2. Per motivi di sicurezza, scollegate il cavo negativo dalla batteria prima di dare l'avvio all'installazione.
3. Per facilitare l'installazione, vi consigliamo di far scorrere tutti i cavi prima di montare la vostra unità di fonte nell'ubicazione desiderata.
4. Fate passare tutti i cavi RCA vicini l'uno all'altro ma lontano da fili ad alta tensione.
5. Usate connettori di alta qualità per garantire un'installazione che dà affidamento e per ridurre al minimo la perdita di segnali o di potenza.
6. State attenti prima di trapanare! Cercate di non trapanare e di non incidere i serbatoi della benzina; le condutture del carburante, dei freni, del sistema idraulico e a depressione; nonché i fili elettrici quando state lavorando su qualsiasi veicolo.
7. Non far mai scorrere i fili sotto il veicolo. Si avrà la protezione migliore facendo scorrere i fili all'interno del veicolo.
8. Evitate di far scorrere i fili sopra o attraverso delle estremità affilate. Usate guarnizioni di tenuta in gomma o in plastica per proteggere qualsiasi filo che passi attraverso del metallo, soprattutto il paraframma.
9. Proteggete **SEMPRE** sia la batteria che il sistema elettrico usando fusibili adatti. Installate sia un fusibile che un portafusibili adeguati sul filo a tensione da +12V entro 18 pollici dal terminale della batteria.
10. Quando eseguite la messa a terra del telaio del veicolo, raschiate tutta la vernice dal metallo per assicurarvi un collegamento a terra pulito e saldo. I collegamenti a terra dovrebbero essere più corti possibile e sempre a contatto di metallo che sia saldato all'autotelaio del veicolo.

UBICAZIONI PER IL MONTAGGIO

L'ubicazione di montaggio del vostro sottoaltoparlante amplificato per toni bassi avrà un notevole influsso sulle prestazioni sonore prodotte.

Scompartimento del motore

Non montate mai questa unità nello scompartimento del motore. Ciò annullerà la vostra garanzia.

Montaggio nel bagagliaio

Se montate l'unità nel bagagliaio, avrete delle prestazioni sonore piuttosto buone.

Montaggio nello scompartimento passeggeri

Se montate l'unità nello scompartimento passeggeri, avrete un suono ottimale, ma ciò ridurrà alquanto l'area disponibile per i posti a sedere.

CABLAGGIO DEL SISTEMA AUDIO

⚠ ATTENZIONE: Se avete dei dubbi circa l'installazione, rivolgetevi ad un tecnico qualificato della Rockford Fosgate.

⚠ ATTENZIONE: Prima dell'installazione, scollegate il terminale negativo (-) della batteria per evitare danni all'unità, pericoli d'incendio e/o potenziali lesioni personali.

⚠ ATTENZIONE: Evitate di far scorrere i fili elettrici vicino ai cavi d'entrata a basso livello, alle antenne, ai cavi di tensione, ad attrezzature sensibili o a cablaggi preassemblati. I fili elettrici portano una tensione notevole e potrebbero indurre rumori dentro il sistema audio.

1. Programmate il cablaggio dei fili. Tenete i fili RCA insieme ma isolati dai cavi a tensione dell'amplificatore e da qualsiasi accessorio auto ad alta tensione, soprattutto i motori elettrici. Ciò è necessario per evitare che il rumore proveniente da campi elettrici irradiati possa accoppiarsi con il segnale audio. Quando fate scorrere i fili attraverso il parafiamma o attraverso qualsiasi barriera metallica, proteggerli con delle guarnizioni di tenuta in gomma o in plastica per evitare i cortocircuiti. Lasciate i fili piuttosto lunghi a questo punto; più tardi potrete regolare la loro lunghezza in modo più preciso.
2. Preparate il filo ROSSO (cavo a tensione) per poterlo attaccare all'amplificatore, spelando via 1/2" pollice di isolante dall'estremità del filo. Inserite il filo spelato dentro il terminale B+ e stringete la vite di arresto per fissare il cavo.

NOTA: Il cavo B+ DEVE essere munito di fusibile entro 18 pollici o di meno dalla batteria del veicolo. Installare il portafusibili sotto il cofano e preparate le estremità dei cavi come di sopra. I collegamenti dovrebbero essere a tenuta d'acqua.

3. Ritagliate il filo ROSSO (cavo a tensione) entro 18 pollici dalla batteria e spelate via 1/2 pollice di isolante dall'estremità del filo. Tagliate a metà l'anello del filo che è attaccato al portafusibili e giuntate il fusibile con il cavo a tensione, usando serrafili in linea adeguati. Utilizzate la sezione di cavo ritagliata precedentemente e collegatela all'altra estremità del portafusibili.
4. Spelate via 1/2 pollice dall'estremità batteria del cavo a tensione e raggrinzite un grosso terminale ad anello contro il cavo. Usate il terminale ad anello per effettuare un collegamento al terminale positivo della batteria. **Non installate ancora il fusibile.**
5. Preparate il filo NERO (cavo della messa a terra) per poterlo attaccare all'amplificatore, spelando via 1/2 pollice di isolante dall'estremità del filo. Inserite il filo spelato dentro il terminale GND e stringete la vite di arresto per fissare il cavo. Preparate la messa a terra del telaio raschiando via la vernice dalla superficie metallica e pulitela accuratamente, rimuovendo ogni traccia di lubrificazione e di sudiciume. Spelate l'altra estremità del filo e attaccategli un serrafili ad anello. Fissate il cavo al telaio usando una vite non anodizzata e una rondella a stella.

Usate uno dei due seguenti metodi per effettuare il collegamento;

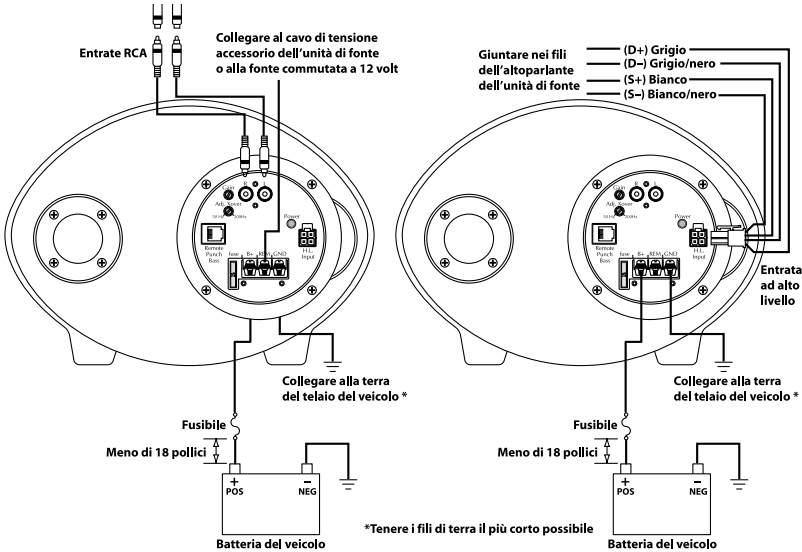
Collegamento con cavo RCA

1. Preparate il filo REM ad innesco per poterlo collegare all'amplificatore, spelando via 1/2 pollice di isolante dall'estremità del filo. Inserite il filo spelato dentro il terminale REM e stringete la vite di arresto per fissare il cavo. Collegate l'altra estremità del filo REM ad una fonte positiva commutata a 12 volt. La tensione commutata proviene generalmente dall'autoantenna o dal cavo accessorio dell'unità di fonte. Se quest'ultima non avesse tali uscite disponibili, la soluzione raccomandabile consiste nel cablare un commutatore meccanico in linea con una fonte da 12 volt per attivare l'amplificatore.
2. Collegare le entrate dei cavi RCA con le loro rispettive spine, ubicate sull'altoparlante amplificato per toni bassi.

Collegamento delle entrate ad alto livello

1. Usando il cordone fornito, eseguite una giunta direttamente nelle uscite degli altoparlanti dell'unità di fonte. Non interrompete il collegamento né con l'unità di fonte né con gli altoparlanti. Assicuratevi di mantenere la polarità adeguata per gli altoparlanti. **NON** collegate a terra con il telaio nessuno dei cavi a tensione degli altoparlanti in quanto ciò potrebbe dar luogo ad un'operazione instabile.

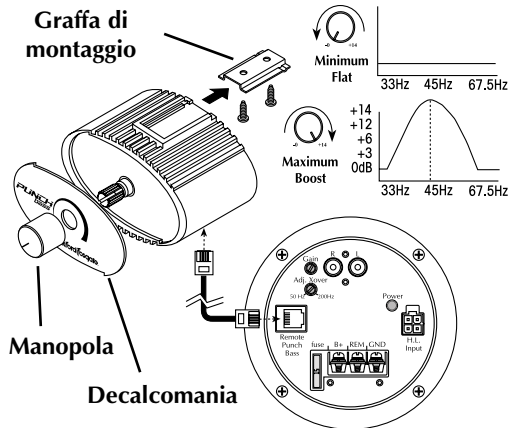
NOTA: Il collegamento REM non è richiesto se seguite questo metodo. Quando si fornisce tensione ai fili degli altoparlanti tramite la fonte, il sottoaltoparlante amplificato per toni bassi si accenderà automaticamente.



TONI BASSI PUNCH A TELECOMANDO

Montaggio ed installazione

1. Trovate un'ubicazione, sia sotto il cruscotto oppure vicino al mobile centrale, che permetta un'accesso facile al telecomando.
2. Usando le viti fornite, installate la graffa di montaggio con le linguette rivolte all'indietro.
3. Fate scorrere il cavo per il telecomando e collegatelo sia al telecomando che al sottoaltoparlante amplificato per toni bassi.
4. Fate scivolare il telecomando sulla graffa di montaggio fino a farlo scattare.
5. Installate la decalcomania e la manopola sul telecomando.



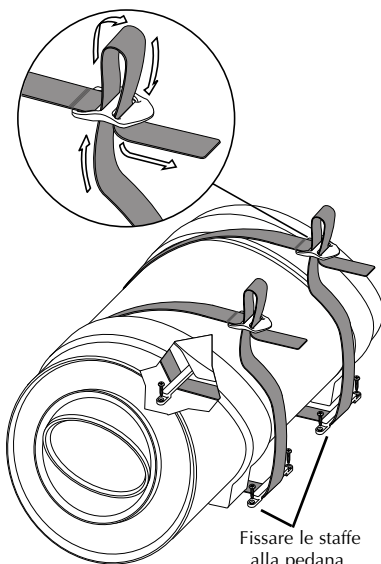
INSTALLAZIONE

INSTALLAZIONE DELLE STAFFE DI MONTAGGIO

⚠ ATTENZIONE: Prima di trapanare, controllate sotto il veicolo per evitare danni alle condutture del freno o del carburante, ecc.

Sistematelo l'alloggiamento nell'ubicazione di montaggio desiderata e posizionare le staffe di montaggio a circa 4 pollici da ciascuna estremità. Spingete le staffe di montaggio il più vicino possibile all'alloggiamento senza né spostarlo né alzarlo. Rimuovete con cura l'alloggiamento e fissate le staffe, usando le viti fornite.

NOTA: Non montate l'alloggiamento su pannelli di cartone o di plastica. Ciò potrebbe permettere alle viti di staccarsi dal pannello se si verificassero delle vibrazioni lungo la strada oppure se il veicolo dovesse fare una brusca frenata.



Italiano

INSTALLAZIONE DELLE FASCETTE DI MONTAGGIO

Far passare ciascuna fascetta attraverso le due staffe di montaggio e sistemare l'alloggiamento sopra le fascette. Stringere ciascuna fascetta di modo che sia stretta.

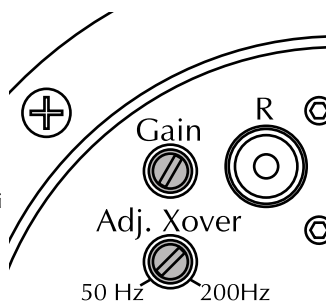
NOTA: Assicuratevi che le fascette di montaggio passino attraverso la fibbia in modo corretto. Controllate le fascette periodicamente per assicurarvi che l'alloggiamento stia sempre fisso.

FUNZIONAMENTO

REGOLAZIONE DI GUADAGNO

Per regolare la sintonizzazione del guadagno, abbassate completamente i guadagni dell'amplificatore. Alzate il volume dell'unità di fonte finché la distorsione non diventi udibile, e poi abbassatelo finché la distorsione non sia più udibile. Nella maggior parte delle unità di fonte, ciò avverrà a circa due terzi dell'alzata di volume. In seguito, girate di nuovo la sintonizzazione di guadagno dell'amplificatore finché non diventi udibile la distorsione e poi riabbassatelo fino a farla scomparire. Nelle unità di fonte della Rockford Fosgate, il suono non è soggetto a distorsione e pertanto, il volume potrà essere alzato fino al massimo.

NOTA: Per una procedura di regolazione più dettagliata, vi preghiamo di contattare l'assistenza tecnica della Rockford Fosgate.



REGOLAZIONE DI INCROCIO

Girare la manopola di regolazione dell'incrocio fino ad abbassarlo. Mentre il sistema audio è in funzione, girare la manopola di regolazione dell'incrocio lentamente in senso contrario, finché non si raggiunga il punto d'incrocio desiderato.

NOTA: Se incontraste dei problemi dopo l'installazione, seguite le procedure per la localizzazione e la riparazione dei guasti elencate di sotto.

Procedura 1: Controllate che l'amplificatore abbia i collegamenti adeguati.

Controllate che la spia dell'ACCENSIONE sia accesa. Se la spia di ACCENSIONE è accesa, passate al numero 2. Se non fosse accesa, continuate.

1. Controllate il fusibile in linea sul cavo positivo della batteria. Se del caso, effettuate sostituzioni.
2. Controllate che la messa a terra sia collegata al metallo pulito del telaio del veicolo. Se del caso, effettuate riparazioni o sostituzioni.
3. Controllate che ci siano dai 10,5 ai 15,5 volt di corrente al cavo positivo della batteria e dell'accensione a telecomando. Controllate che ci siano collegamenti di qualità per entrambi i cavi a livello dell'amplificatore, del sistema stereofonico e della batteria/portafusibili. Se del caso, effettuate riparazioni o sostituzioni.

Procedura 2: Controllate le uscite audio dell'amplificatore.

1. Controllate che sia il sistema stereofonico che l'amplificatore abbiano dei collegamenti d'entrata RCA ad alto livello. Controllate che lungo l'intera lunghezza dei cavi non ci siano attorcigliamenti, giunture, ecc. Mettete le entrate RCA ad alto livello alla prova per la corrente alternata con il sistema stereofonico acceso. Se del caso, effettuate riparazioni o sostituzioni.
2. Scollegate l'entrata RCA ad alto livello dall'amplificatore. Collegare l'entrata RCA ad alto livello dal sistema stereofonico di prova direttamente all'entrata dell'amplificatore.

Procedura 3: Controllate l'amplificatore se si verificasse uno schiocco al momento dell'accensione.

1. Scollegate il segnale d'entrata verso l'amplificatore; spegnete e riaccendete l'amplificatore.
2. Se il rumore viene eliminato, collegate il cavo a tensione REM dell'amplificatore all'unità di fonte con un modulo di accensione ad azione ritardata.

OPPURE

1. Usate una fonte da 12 volt diversa per il cavo a tensione REM dell'amplificatore (in altri termini, direttamente dalla batteria).
2. Se il rumore viene eliminato, usate un relé per isolare l'amplificatore da entrate ed uscite rumorose al momento dell'accensione.

Procedura 4: Controllate l'amplificatore se si verificasse un rumore eccessivo a livello del motore.

1. Fate scorrere tutti i fili che portano segnali (RCA, cavi degli altoparlanti) lontano dalla tensione e dai fili della messa a terra.

OPPURE

2. Bipassate tutte le componenti elettriche tra il sistema stereofonico e l'amplificatore(i). Collegare il sistema stereofonico direttamente all'entrata dell'amplificatore. Se il rumore sparisce, vuol dire che l'unità bipassata è la fonte del rumore.

OPPURE

LOCALIZZAZIONE/RIPARAZIONE GUASTI

3. Rimuovete i fili della messa a terra esistenti per tutte le componenti elettriche. Ricollegateli alla terra in ubicazioni diverse. Controllate che l'ubicazione della messa a terra sia una superficie metallica pulita, senza verniciature, senza ruggine, ecc.

OPPURE

4. Aggiungete un cavo secondario per la messa a terra dal terminale negativo della batteria al metallo del telaio o del monoblocco del veicolo.

OPPURE

5. Fate esaminare sia l'alternatore che la carica della batteria dal vostro meccanico. Controllate che il sistema elettrico del veicolo sia funzionante, compreso il distributore, le candele, i fili delle candele, il regolatore di tensione, ecc.

SPECIFICHE

Italiano

Numero di modello del sistema	RFT3061A	RFT3081A	RFT3101A
Risposta in frequenza	50Hz-200Hz	45Hz-150Hz	40Hz-125Hz
Uscite di tensione	100W	100W	100W
Dimensioni d'ingombro (pollici)			
Altezza	7 11/16"	9 1/8"	10 13/16"
Larghezza	10 5/8"	12 11/16"	15"
Lunghezza	15 9/16"	17 7/16"	24 1/16"
Peso (libbre)	8,0	13,0	21,0

INFORMAZIONI INERENTI ALLA GARANZIA LIMITATA

La Rockford Corporation offre una garanzia limitata sui prodotti della Rockford Fosgate alle seguenti condizioni:

Lunghezza della garanzia

3 anni sulle componenti elettroniche	90 giorni sulle componenti elettroniche B-stock (è necessaria la ricevuta)
1 anno sulle unità di fonte	90 giorni sugli altoparlanti B-stock (è necessaria la ricevuta)
1 anno sugli altoparlanti	

Ciò che è coperto dalla garanzia

Questa garanzia è solamente applicabile ai prodotti della Rockford Fosgate venduti a clienti da parte di rivenditori autorizzati della Rockford Fosgate negli USA o nei suoi possedimenti. Prodotti acquistati da clienti presso un rivenditore autorizzato della Rockford Fosgate in paesi esteri saranno coperti solamente dal distributore di quel paese e non dalla Rockford Corporation.

Chi è coperto dalla garanzia

Questa garanzia copre solamente l'acquirente originale di un prodotto della Rockford che sia stato acquistato presso un rivenditore autorizzato della Rockford Fosgate negli USA. Per richiedere l'assistenza, l'acquirente deve fornire alla Rockford una copia della sua ricevuta, indicando il nome dell'acquirente, il nome del rivenditore, il prodotto acquistato e la data di acquisto.

I prodotti che risulteranno difettosi durante il periodo della garanzia saranno riparati oppure sostituiti (con un prodotto giudicato equivalente) alla piena discrezione della Rockford.

Ciò che non è coperto dalla garanzia

1. Danni cagionati da incidenti, abuso, funzionamento improprio, acqua, furto
2. Qualsiasi costo o spesa relativa alla rimozione o alla reinstallazione del prodotto.
3. L'assistenza tecnica eseguita da chiunque non sia alle dipendenze della Rockford o di un centro di assistenza tecnica autorizzato della Rockford Fosgate
4. Qualsiasi prodotto su cui il numero di serie è stato deturpato, alterato o rimosso
5. Danni susseguenti ad altre componenti
6. Qualsiasi prodotto acquistato fuori dagli USA
7. Qualsiasi prodotto non acquistato presso un rivenditore autorizzato della Rockford Fosgate

Limite sulle garanzie tacite

Qualsiasi garanzia tacita, comprese le garanzie di idoneità all'uso ed alla commerciabilità, sono limitate nella loro durata al periodo coperto dalla garanzia esplicita spiegata di sopra. Alcuni stati non permettono limitazioni sulla lunghezza di una garanzia tacita. Pertanto, questa limitazione potrebbe non essere applicabile. È vietato assumere, a nome della Rockford Fosgate, qualsiasi altra responsabilità in relazione alla vendita del prodotto.

Come richiedere l'assistenza tecnica

Vi preghiamo di telefonare al numero 1-800-669-9899 per raggiungere il servizio assistenza clienti della Rockford Fosgate. Dovrete ottenere un numero RA (numero di autorizzazione per la restituzione) per restituire qualsiasi prodotto alla Rockford Fosgate. Sarete responsabili della spedizione del prodotto alla Rockford.

Spedire a: **Electronics**
Rockford Corporation
Warranty Repair Department
2055 E. 5th Street
Tempe, AZ 85281
RA#: _____

Spedire a: **Speakers**
Rockford Acoustic Design
Speaker Returns
2356 Turner Ave. NW
Grand Rapids, MI 49544
RA#: _____

Installation assistance available at:

RFTECH

www.rockfordfosgate.com/rftech



Rockford Fosgate

Rockford Corporation
546 South Rockford Drive
Tempe, Arizona 85281 U.S.A.
In U.S.A., (480) 967-3565
In Europe, Fax (49) 8503-934014
In Japan, Fax (81) 559-79-1265

www.rockfordfosgate.com

Free Manuals Download Website

<http://myh66.com>

<http://usermanuals.us>

<http://www.somanuals.com>

<http://www.4manuals.cc>

<http://www.manual-lib.com>

<http://www.404manual.com>

<http://www.luxmanual.com>

<http://aubethermostatmanual.com>

Golf course search by state

<http://golfingnear.com>

Email search by domain

<http://emailbydomain.com>

Auto manuals search

<http://auto.somanuals.com>

TV manuals search

<http://tv.somanuals.com>