



Rockford Fosgate®

Systems

P152S

P162S

P1682S

P1692S

Tweeter

P1T

Installation & Operation

Installation et fonctionnement
Instalación y funcionamiento
Einbau und Betrieb
Installazione e funzionamento

Punch Series

Component Systems

INTRODUCTION

Dear Customer,

Congratulations on your purchase of the world's finest brand of car audio speakers. At Rockford Fosgate we are fanatics about musical reproduction at its best, and we are pleased you chose our product. Through years of engineering expertise, hand craftsmanship and critical testing procedures, we have created a wide range of products that reproduce music with all the clarity and richness you deserve.

For maximum performance we recommend you have your new Rockford Fosgate product installed by an Authorized Rockford Fosgate Dealer, as we provide specialized training through Rockford Technical Training Institute (RTTI). Please read your warranty and retain your receipt and original carton for possible future use.

Great product and competent installations are only a piece of the puzzle when it comes to your system. Make sure that your installer is using 100% authentic installation accessories from Connecting Punch in your installation. Connecting Punch has everything from RCA cables and speaker wire to Power line and battery connectors. Insist on it! After all, your new system deserves nothing but the best.

To add the finishing touch to your new Rockford Fosgate image order your Rockford accessories, which include everything from T-shirts and jackets to hats and sunglasses.

To get a free brochure on Rockford Fosgate products and Rockford accessories, visit our web site at: www.rockfordfosgate.com or, in the U.S. call 1-800-669-9899 or FAX 1-800-398-3985.

For all other countries, call +001-480-967-3565 or FAX +001-480-967-8132.

PRACTICE SAFE SOUND™

Continuous exposure to sound pressure levels over 100dB may cause permanent hearing loss. High powered auto sound systems may produce sound pressure levels well over 130dB. Use common sense and practice safe sound.

If, after reading your manual, you still have questions regarding this product, we recommend that you see your Rockford Fosgate dealer. If you need further assistance, you can call us direct at 1-800-669-9899. Be sure to have your serial number, model number and date of purchase available when you call.

The serial number can be found on the outside of the box. Please record it in the space provided below as your permanent record. This will serve as verification of your factory warranty and may become useful in recovering your unit if it is ever stolen.

Serial Number: _____

Model Number: _____

TABLE OF CONTENTS

Introduction	2	Installation - Tweeters	5-6
Safety Instructions	3	Installation - Speakers	6-7
What This Manual Covers	3	Troubleshooting	8
Installation	4-5	Specifications	8-10
Installation Considerations	4	Limited Warranty Information	11
Mounting	4	International Instructions	12

NOTE: Review each section for more detailed information.

GETTING STARTED

Welcome to Rockford Fosgate! This manual is designed to provide information for the owner, salesperson and installer. For those of you who want quick information on how to install this product, please turn to the **Installation Section** of this manual. Other information can be located by using the Table of Contents. We, at Rockford Fosgate, have worked very hard to make sure all the information in this manual is current. But, as we are constantly finding new ways to improve our product, this information is subject to change without notice.

SAFETY INSTRUCTIONS

WARNING


This symbol with “**WARNING**” is intended to alert the user to the presence of important instructions. Failure to heed the instructions will result in severe injury or death.

CAUTION

This symbol with “**CAUTION**” is intended to alert the user to the presence of important instructions. Failure to heed the instructions can result in injury or unit damage.

 **CAUTION:** To prevent injury and damage to the unit, please read and follow the instructions in this manual. We want you to enjoy this system, not get a headache.

 **CAUTION** If you feel unsure about installing this system yourself, have it installed by a qualified Rockford Fosgate technician.

 **CAUTION** Before installation, disconnect the battery negative (-) terminal to prevent damage to the unit, fire and/or possible injury.

Visit our web site for the latest information on all Rockford products.

www.rockfordfosgate.com

INSTALLATION

INSTALLATION CONSIDERATIONS

The following is a list of tools needed for installation:

Volt/Ohm Meter	1/8" diameter heatshrink tubing
#2 Phillips screwdriver	Wire strippers
Battery post wrench	Wire crimpers
Hand held drill w/assorted bits	Wire cutters



CAUTION: If you feel unsure about installing this system yourself, have it installed by a qualified Rockford Fosgate technician.



CAUTION: Before installation, disconnect the battery negative (-) terminal to prevent damage to the unit, fire and/or possible injury.

Before beginning any installation, follow these simple rules:

1. Be sure to carefully read and understand the instructions before attempting to install the Unit.
2. For safety, disconnect the negative lead from the battery prior to beginning the installation.
3. For easier assembly, we suggest you run all wires prior to mounting your unit in place.
4. Use high quality connectors for a reliable installation and to minimize signal or power loss.
5. Think before you drill! Be careful not to cut or drill into gas tanks, fuel lines, brake or hydraulic lines, vacuum lines or electrical wiring when working on any vehicle.
6. Never run wires underneath the vehicle. Running the wires inside the vehicle provides the best protection.
7. Avoid running wires over or through sharp edges. Use rubber or plastic grommets to protect any wires routed through metal, especially the firewall.
8. Mount the speakers/crossovers away from electrical sources (other than the amplifier) i.e., power cables, electronic fuel pumps, vehicle computers, and other potential noise sources.
9. Mount the speakers/crossovers away from areas of extreme heat or moisture.

MOUNTING

Speakers/Tweeters

1. Determine where the speakers will be mounted. Ensure an area large enough for the speaker to mount evenly. Be sure that the mounting location is deep enough for the speaker to fit; if mounting in a door, operate all functions (windows, locks, etc.) through their entire operating range to ensure there is no obstruction.
2. When mounting the speaker(s) on the rear deck of the vehicle, check the operation of the rear hatch or trunk lid. Make sure the torsion bars and other moving parts are not obstructed by the speaker(s) installation.
3. Refer to the specification chart to determine the proper diameter hole to cut for your speaker model.

Crossovers

1. Make sure there is a flat area large enough for the crossover to mount.
2. For best results, mount the crossover(s) next to the amplifier for a decorative finish to the installation and provide an easy upgrade (no new wires to run) for a bi-amp Rockford Fosgate system in the future.

Use this section when installing Tweeters or Systems

A solid front stage with a good image is one of the most difficult tasks to achieve in a vehicle. No car has the optimum listening environment. This makes proper sound staging very difficult to accomplish. Most speakers tend to be placed where they will fit easily, as opposed to where they can perform the best. The mounting location of your speakers will have a great effect on the sound quality of your stereo system. The special care taken to place the speakers will yield many hours of listening enjoyment in return. Several important recommendations should be followed.

- Place the speakers where they have a direct path to the listening area.
- For the best integration between the midrange and tweeter, the tweeter should be placed less than 2" from the midrange (Figure 1).
- If you cannot place the tweeter less than 2" from the midrange, then place the tweeter more than 7" from the midrange. Placing the tweeter 2"-7" from the midrange can cause destructive interference (frequency response problems) which will affect the speaker's ability to reproduce the frequency range around the crossover frequency of the system.
- Whenever possible, place the tweeter directly above or below the midrange as this maximizes the imaging (point source) capability of the speakers (Figure 1).
- Sound radiated from a "point source" provides the best stereo imaging because the separation of the acoustical centers between the midrange and tweeter for each channel is at the optimum distance. In a closed environment such as an automobile, horizontal speaker alignment (Figure 2) can cause amplitude and phase differences which will degrade not only the imaging, but also the frequency response. This is due to the path length differences between the midrange and tweeter. Mounting the speaker with minimum path length difference will ensure the best staging and imaging possible from your audio system.

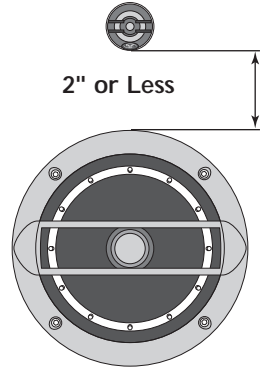


Figure 1

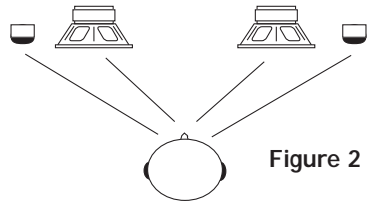
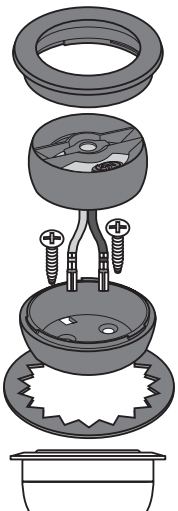


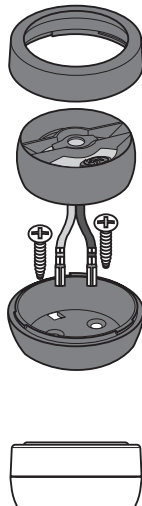
Figure 2

Flush Mount



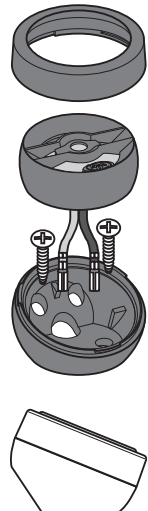
Top Housing
Tweeter
Bottom Housing
Clip

Surface Mount



Top Housing
Tweeter
Bottom Housing

Wedge Mount



TROUBLESHOOTING

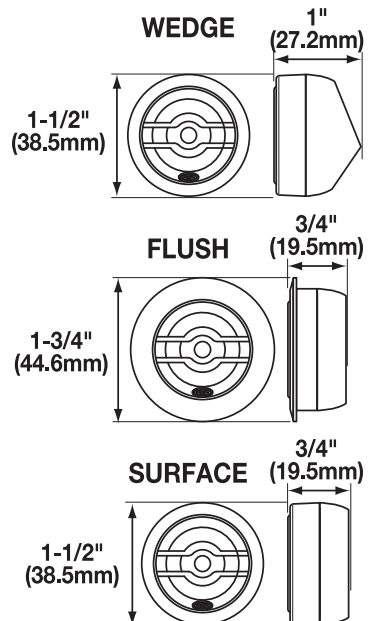
Symptom	Diagnosis	Remedy
No sound from speakers	Wires not connected properly. Amplifier has no output. Speaker wires are shorted to each other or to the chassis of vehicle. Speakers are blown.	Check wiring, repair or replace. Check with working amplifier and repair or replace as needed. Check wiring with a volt/ohm meter and repair or replace as needed Check with working speaker and repair or replace as needed.
Distorted sound from speakers	Incorrect wiring between crossover and speakers	Check wiring, repair or replace.
Tweeters "burn up" easily	Excessive power from amplifier Equalizer (if available) has excessive boost in the high frequency range	Check gain settings on amplifier and readjust as necessary Check settings on equalizer and readjust as necessary
Engine noise from one or more speakers	Wires shorted to chassis of vehicle. Speaker wires are routed near high power source. (Power cables, vehicle computers, etc.) Crossover is mounted near high power source.	Check wiring with a volt/ohm meter and repair or replace as needed Re-route speaker wiring away from noise sources. Move crossovers away from noise sources.

SPECIFICATIONS

FEATURES - Tweeters

- Inverted Aluminum Dome
- Multiple Mounting Applications

Nominal Diameter - inch (mm)	3/4 (19mm)
Nominal Impedance (ohms)	4 Ω
Frequency Response	4kHz-24kHz
Sensitivity (SPL@1w/1m)	90dB
Power Handling (Watts RMS/Peak) (with supplied crossover)	60 / 120

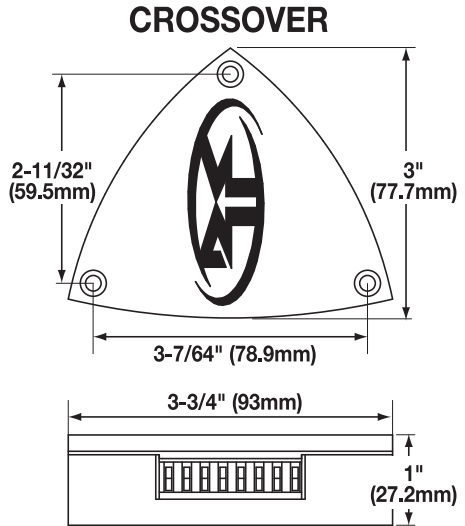


Specifications subject to change without notice

FEATURES - System Crossover

Crossover Frequency 3200Hz @ 4 Ω
 Crossover Slope 12dB/octave High-Pass
 12dB/octave Low-Pass
 Filter Q Butterworth
 Tweeter Protection Optical Compression

System Crossover Dimensions



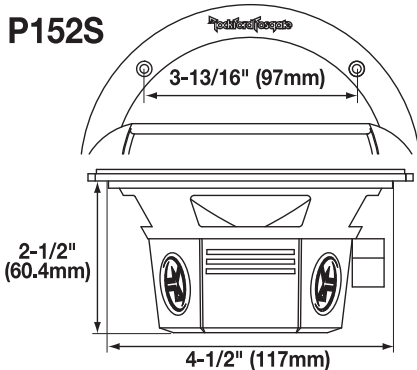
FEATURES

- Mica Injected Polypropylene Cone
- Cold Rolled Vented Steel Frame
- Polyurethane Surround
- Multiple Tweeter Mounting Configurations

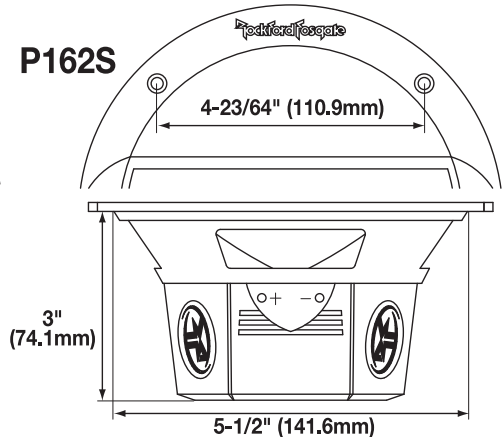
System Model

	P152S	P162S
Nominal Diameter - inch (mm)	5-1/4 (133)	6-1/2 (165)
Nominal Impedance (ohms)	4 Ω	4 Ω
Frequency Response	70Hz-22kHz	60Hz-22kHz
Sensitivity (SPL@1w/1m)	86dB	88dB
Power Handling(Watts RMS/Peak)	60 / 120	60 / 120
Mounting Diameter - inch (mm)	4-1/2 (117)	5-1/2 (141.6)
Mounting Depth - inch (mm)	2-1/2 (50.4)	3 (74.1)

P152S



P162S

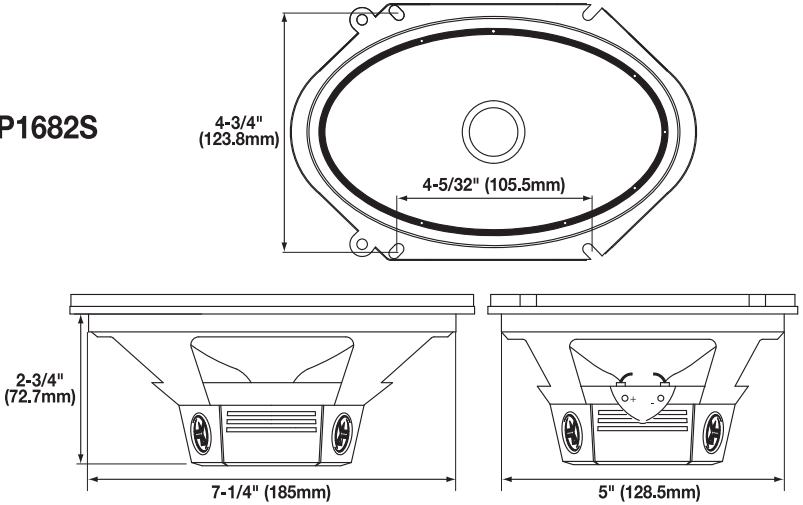


Specifications subject to change without notice

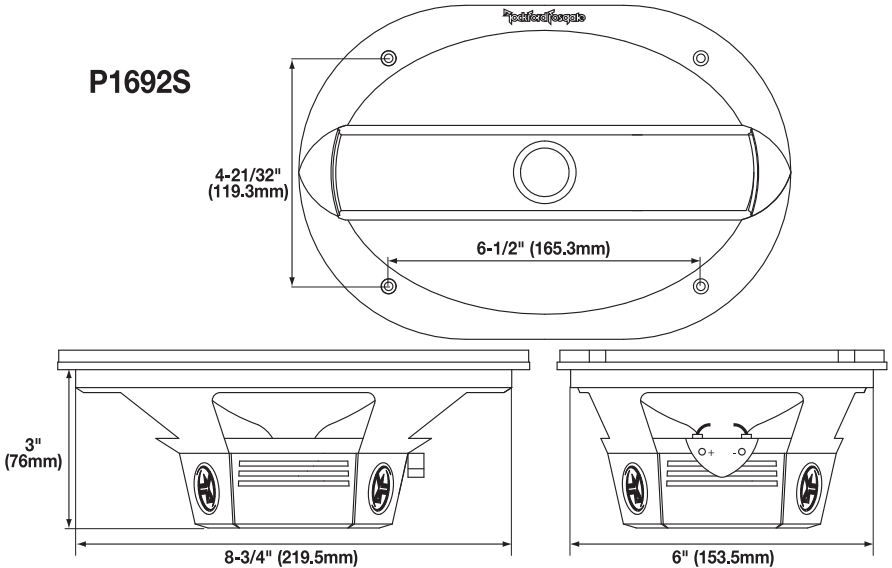
SPECIFICATIONS

System Model	P1682S	P1692S
Nominal Diameter - inch (mm)	6 x 8 (152.4 x 203.2)	6 x 9 (152.4 x 228.6)
Nominal Impedance (ohms)	4 Ω	4 Ω
Frequency Response	60Hz-22kHz	50Hz-22kHz
Sensitivity (SPL@1w/1m)	88dB	90dB
Power Handling(Watts RMS/Peak)	60 / 120	60 / 120
Mounting Diameter - inch	5 x 7-1/4	6 x 8-3/4
Mounting Diameter - mm	128.5 x 185	153.5 x 219.5
Mounting Depth - inch (mm)	2-3/4 (72.7)	3 (76)

P1682S



P1692S



Specifications subject to change without notice

Rockford Corporation offers a limited warranty on Rockford Fosgate products on the following terms:

Length of Warranty

Source Units, Speakers, Signal Processors and PUNCH Amplifiers – 1 Year
POWER Amplifiers – 2 Years Type RF Amplifiers – 3 Years
Any Factory Refurbished Product – 90 days (receipt required)

What is Covered

This warranty applies only to Rockford Fosgate products sold to consumers by Authorized Rockford Fosgate Dealers in the United States of America or its possessions. Product purchased by consumers from an Authorized Rockford Fosgate Dealer in another country are covered only by that country's Distributor and not by Rockford Corporation.

Who is Covered

This warranty covers only the original purchaser of Rockford product purchased from an Authorized Rockford Fosgate Dealer in the United States. In order to receive service, the purchaser must provide Rockford with a copy of the receipt stating the customer name, dealer name, product purchased and date of purchase.

Products found to be defective during the warranty period will be repaired or replaced (with a product deemed to be equivalent) at Rockford's discretion.

What is Not Covered

1. Damage caused by accident, abuse, improper operations, water, theft, shipping
2. Any cost or expense related to the removal or reinstallation of product
3. Service performed by anyone other than Rockford or an Authorized Rockford Fosgate Service Center
4. Any product which has had the serial number defaced, altered, or removed
5. Subsequent damage to other components
6. Any product purchased outside the U.S.
7. Any product not purchased from an Authorized Rockford Fosgate Dealer

Limit on Implied Warranties

Any implied warranties including warranties of fitness for use and merchantability are limited in duration to the period of the express warranty set forth above. Some states do not allow limitations on the length of an implied warranty, so this limitation may not apply. No person is authorized to assume for Rockford Fosgate any other liability in connection with the sale of the product.

How to Obtain Service

Contact the Authorized Rockford Fosgate Dealer you purchased this product from. If you need further assistance, call 1-800-669-9899 for Rockford Customer Service. You must obtain an RA# (Return Authorization number) to return any product to Rockford Fosgate. You are responsible for shipment of product to Rockford.

EU Warranty

This product meets the current EU warranty requirements, see your Authorized dealer for details.

Ship to: **Electronics**
Rockford Corporation
Warranty Repair Department
2055 E. 5th Street
Tempe, AZ 85281
RA#: _____

Ship to: **Speakers**
Rockford Acoustic Design
Speaker Returns
2356 Turner Ave. NW
Grand Rapids, MI 49544
RA#: _____

INTRODUCTION

Cher client,

Français

Toutes nos félicitations pour avoir acheté la meilleure marque de haut-parleurs pour automobile. Chez Rockford Fosgate nous sommes des mordus de la reproduction musicale à son meilleur. C'est pourquoi nous sommes heureux que vous ayez choisi notre produit. Des années d'expertise en ingénierie, de savoir-faire et d'essais poussés nous ont permis de créer une vaste gamme de produits capables de reproduire toute la clarté et la richesse musicales que vous méritez.

Pour obtenir les meilleurs résultats, nous vous recommandons de faire installer votre nouvel appareil par un concessionnaire Rockford Fosgate agréé formé spécialement par notre Institut de formation technique Rockford (RTTI). Prenez soin de lire la garantie et conservez votre reçu ainsi que l'emballage d'origine pour usage ultérieur.

Pour monter un excellent système, il ne suffit pas de posséder un super produit et d'assurer une installation qualifiée compétente. Vous devez veiller à ce que votre installateur utilise des accessoires d'origine fournis par Connecting Punch. Connecting Punch a tout ce qu'il vous faut, des câbles RCA aux câbles de haut-parleurs, en passant par les câbles d'alimentation et les connecteurs de batterie. Insistez pour les avoir! Après tout, votre nouveau système ne mérite rien de moins.

Pour compléter votre nouvelle image Rockford Fosgate, commandez des accessoires Rockford tels que T-shirts, vestes, chapeaux et lunettes de soleil.

Pour obtenir une brochure gratuite sur les produits Rockford Fosgate et les accessoires Rockford, Visitez notre site Web : www.rockfordfosgate.com

ou, aux États-Unis, appelez le 1-800-669-9899 ou envoyez un fax au 1-800-398-3985.

Pour tous les autres pays, appelez le +001-480-967-3565 ou faxez au +001-480-967-8132.

PRATIQUEZ UNE ÉCOUTE SANS RISQUES^{MD}

Une exposition continue à des niveaux de pression acoustique supérieurs à 100 dB peut causer une perte d'acuité auditive permanente. Les systèmes audio de forte puissance pour auto peuvent produire des niveaux de pression acoustique bien au-delà de 130 dB.

Faites preuve de bon sens et pratiquez une écoute sans risques

Si vous avez encore des questions à propos de ce produit, même après avoir lu ce manuel, contactez votre concessionnaire Rockford Fosgate agréé. Si vous avez besoin d'aide, appelez-nous au 1-800-669-9899. Veuillez avoir les numéros de modèle et de série, ainsi que la date d'achat de l'appareil à portée de main lorsque vous appelez.

Le numéro de série est indiqué sur l'extérieur de l'emballage. Veuillez l'inscrire ci-dessous dans l'espace réservé à cet effet. Il permettra de vérifier votre garantie et de retrouver votre appareil en cas de vol.

Numéro de série : _____

Numéro de modèle : _____

TABLE DES MATIÈRES

Introduction	2	Spécifications	6
Consignes de sécurité	3	Garantie limitée	7
Sujets traités dans le manuel	3		
Installation	4-5		
Considérations concernant l'installation	4		
Montage	4		

NOTE : consultez chaque section pour de plus amples informations.

AVANT DE COMMENCER

Bienvenue à Rockford Fosgate ! Ce manuel vise à informer le propriétaire, le vendeur et l'installateur de l'appareil. Si vous désirez apprendre rapidement comment installer ce produit, consultez la section Installation du manuel. Reportez-vous à la Table des matières pour d'autres informations. Nous nous efforçons de faire en sorte que toutes les informations contenues dans ce manuel soient à jour. Mais comme nous améliorons constamment nos produits, nous nous réservons le droit de modifier ces informations sans aucun préavis.


CONSIGNES DE SÉCURITÉ


AVERTISSEMENT


Le symbole accompagnant le mot « **AVERTISSEMENT** » signale à l'utilisateur la présence d'instructions importantes. Le non-respect de ces instructions causera des blessures graves ou la mort.

MISE EN GARDE

Le symbole accompagnant l'expression « **MISE EN GARDE** » signale à l'utilisateur la présence d'instructions importantes. Le non-respect de ces instructions peut causer des blessures ou endommager l'appareil.

 **MISE EN GARDE** : pour éviter des blessures et ne pas endommager l'appareil, veuillez lire et suivre les instructions du manuel. Nous espérons que ce système vous procurera du plaisir et non des tracas.

 **MISE EN GARDE** : si vous vous sentez incapable d'installer l'appareil vous-même, confiez la tâche à un technicien Rockford Fosgate qualifié.

 **MISE EN GARDE** : avant d'entamer l'installation, déconnectez la broche négative (-) de la batterie pour éviter tout risque de blessures, d'incendie ou de dommages à l'appareil.

SUJETS TRAITÉS DANS LE MANUEL

Ce manuel couvre les quatre (4) composants du système Fanatic Q suivants : les tweeters, le système, les médium-basses et les 3 voies, qui constituent une combinaison des trois autres. Vous pouvez vous procurer chacun de ces composants séparément ou ensemble. Vous pouvez aussi les connecter aux autres éléments afin de personnaliser votre système selon vos besoins.

Suivez toutes les consignes de sécurité et de montage des sections de chaque composant utilisé afin de tirer le meilleur parti de votre système Fanatic Q.


Visitez notre site Web pour obtenir les dernières informations sur tous les produits Rockford.


www.rockfordfosgate.com

CONSIDÉRATIONS CONCERNANT L'INSTALLATION

Voici la liste d'outils requis pour l'installation :

Voltmètre-ohmmètre	Tube thermorétractable de 1/8 po de diamètre
Tournevis à embout cruciforme no 2	Pince à dénuder
Clé de borne de batterie	Pince à sertir
Perceuse à main avec mèches assorties	Coupe-fils

 **MISE EN GARDE :** si vous vous sentez incapable d'installer l'appareil vous-même, confiez la tâche à un technicien qualifié.

 **MISE EN GARDE :** avant d'entamer l'installation, déconnectez la broche négative (-) de la batterie pour éviter tout risque de blessures, d'incendie ou de dommages à l'appareil.

Avant de commencer l'installation, suivez ces règles toutes simples :

1. Prenez soin de bien lire et comprendre les instructions avant d'installer l'appareil.
2. Par mesure de sécurité, veuillez débrancher le fil négatif de la batterie avant de commencer l'installation.
3. Pour faciliter le montage, nous vous suggérons de dérouler tous les câbles avant d'installer l'appareil.
4. Utilisez des connecteurs de haute qualité pour assurer une installation fiable et minimiser la perte de signal ou de puissance.
5. Réfléchissez avant de percer quoique ce soit ! Faites attention de ne pas couper ou percer le réservoir d'essence, les conduites de carburant, de frein, hydrauliques ou de dépression, ou le câblage électrique lorsque vous travaillez sur un véhicule.
6. Ne faites jamais passer les fils sous le véhicule. Il vaut mieux les installer à l'intérieur du véhicule pour assurer une meilleure protection.
7. Évitez de faire passer les fils par dessus ou à travers des bords tranchants. Tout fil acheminé à travers du métal, un pare-feu en particulier, doit être protégé avec des bagues en caoutchouc ou plastique.
8. Fixez les haut-parleurs et les filtres à l'écart des sources électriques (autres que l'ampli) c.-à-d. câbles d'alimentation, pompes à carburant électroniques, ordinateurs de bord et autres sources potentielles de bruit.
9. Fixez les haut-parleurs et les filtres à l'écart des zones à forte chaleur ou humidité.

MONTAGE

Haut-parleurs/Tweeters

1. Déterminez l'emplacement des haut-parleurs. Prévoyez un espace suffisamment grand pour assurer un montage égal des haut-parleurs. Assurez-vous que l'emplacement est assez profond pour les haut-parleurs; s'il s'agit d'une porte, actionnez complètement toutes les fonctions (fenêtres, verrous, etc.) pour vous assurer qu'il n'y a pas d'obstruction.
2. Lorsque vous montez les haut-parleurs sur la tablette arrière, vérifiez le fonctionnement du hayon arrière ou du couvercle du coffre. Assurez-vous que les barres de torsion et autres pièces mobiles ne sont pas obstruées par l'installation des haut-parleurs.
3. Reportez-vous au tableau des spécifications pour déterminer le diamètre approprié à découper pour votre modèle de haut-parleur.

Filtres passifs

1. Prévoyez un espace plat suffisamment grand pour le montage du filtre.
2. Pour obtenir les meilleurs résultats possibles, fixez le ou les filtres près de l'ampli afin de donner une belle apparence à l'ensemble et permettre une mise à niveau facile à l'avenir (pas besoin de faire passer des fils) vers un système Rockford Fosgate à deux amplis.

Suivez cette section si vous installez des tweeters, systèmes ou 3 voies

Il est particulièrement difficile de réaliser, dans un véhicule, une excellente mise en place à l'avant-plan dotée d'une bonne image acoustique. Aucune voiture ne constitue un environnement d'écoute optimal. Cela rend la mise en place particulièrement ardue. Les haut-parleurs sont la plupart temps placés en fonction de l'espace disponible et non pas de l'emplacement idéal du point de vue de la qualité sonore. L'emplacement des haut-parleurs influe grandement sur la qualité audio de votre système stéréo. Un emplacement judicieux sera récompensé par un plaisir d'écoute démultiplié. À cet égard, vous devez tenir compte de plusieurs recommandations importantes.

- Placez les haut-parleurs dans le trajet de la zone d'écoute.
- Placez le tweeter à moins de 5 cm (2 po) du haut-parleur de médium afin d'assurer une intégration idéale entre les deux (Figure 1).
- Si vous ne pouvez placer le tweeter à moins de 5 cm (2 po) du haut-parleur de médium, placez-le alors à plus de 18 cm (7 po) de celui-ci. Le placement du tweeter entre 5 et 18 cm (2-7 po) du haut-parleur de médium peut produire une interférence négative (problèmes de réponse en fréquence) qui affecte la capacité du haut-parleur à reproduire la gamme des fréquences autour de la fréquence de filtre du système.
- Placez si possible le tweeter directement au-dessus ou au-dessous du haut-parleur de médium, car cela maximise l'image acoustique (source ponctuelle) projetée par les haut-parleurs (Figure 1).
- Le son émis d'une « source ponctuelle » projette une meilleure image stéréo, car la séparation des centres acoustiques entre le haut-parleur de médium et le tweeter pour chaque canal se produit à une distance optimale. Dans un environnement fermé tel que celui d'une automobile, l'alignement horizontal des haut-parleurs (Figure 2) peut produire des différences d'amplitude et de phase extrêmes qui dégradent non seulement l'image mais aussi la réponse en fréquence. Cela est dû aux différences de longueur de trajet entre le haut-parleur de médium et le tweeter. Monter le haut-parleur en minimisant la différence de longueur de trajet assure les meilleures mise en place et image possibles pour votre système audio.

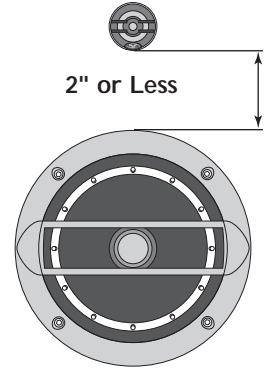


Figure 1

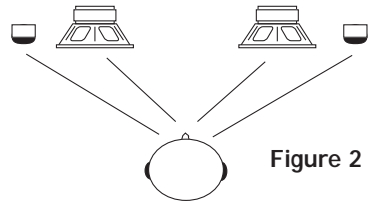
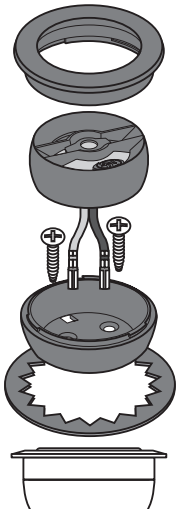


Figure 2

Montage encastré



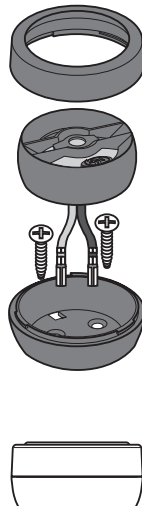
Logement Supérieur

Tweeter

Logement Inférieur

Clip

Montage de type encastré

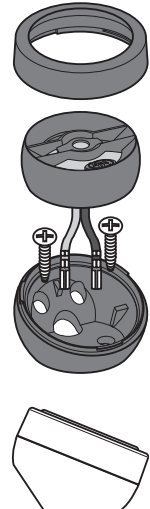


Logement Supérieur

Tweeter

Logement Inférieur

Montage en angle



INSTALLATION DES TWEETERS

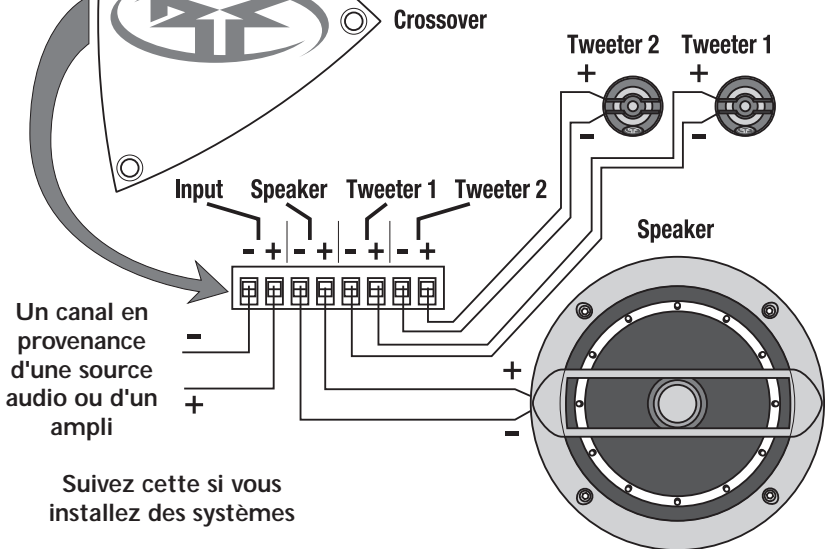
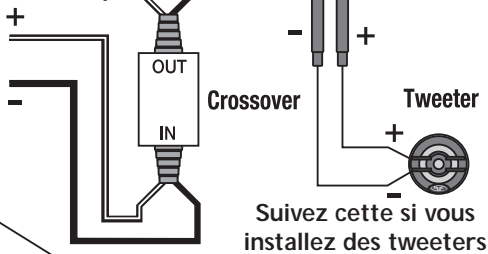
Câblage du tweeter au filtre

1. Suivez les illustrations pour effectuer une bonne connexion.
2. Veillez à respecter la polarité des haut-parleurs.

Français

Un canal en provenance d'une source audio ou d'un ampli

Black with White Stripe



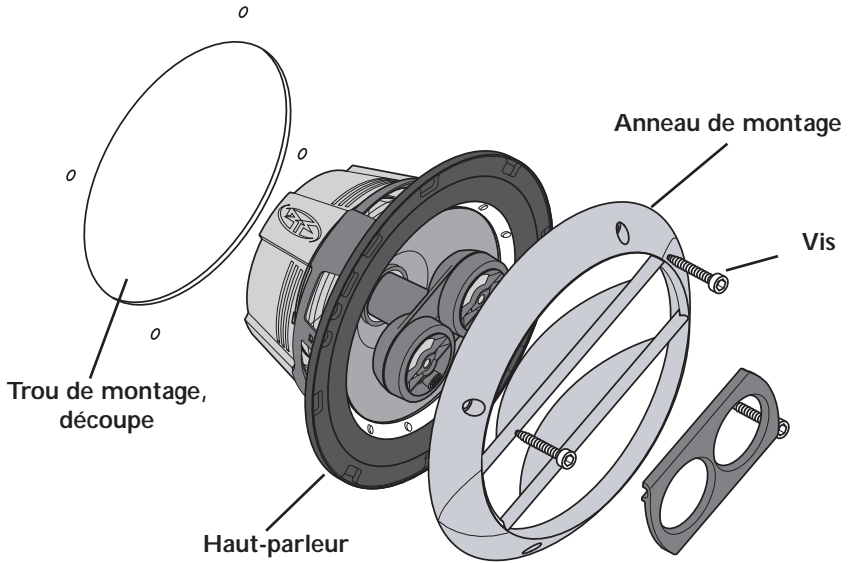
INSTALLATION DES HAUT-PARLEURS

Suivez cette section si vous installez des systèmes

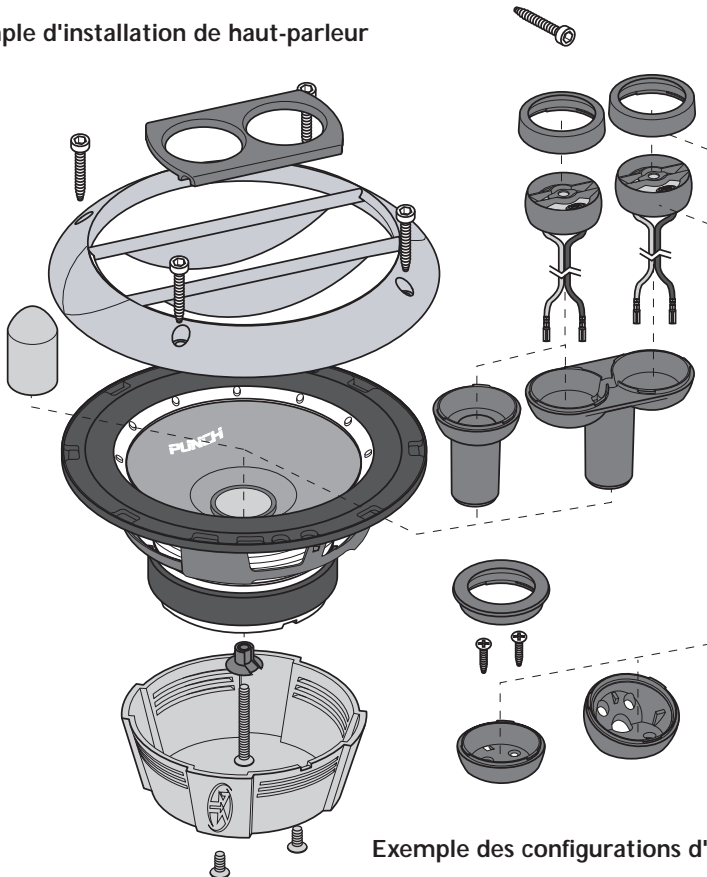
1. Découpez un trou de taille appropriée pour le haut-parleur.

REMARQUE : voir les spécifications concernant la taille appropriée du trou.

2. Placez l'anneau de montage sur le trou de montage et marquez l'emplacement des trous de montage des vis.
3. Retirez l'anneau. Percez les trous des vis à l'aide d'une mèche de 1/8 po.
4. Faites passer le fil par le trou de montage.
5. Branchez les fils en respectant la polarité des haut-parleurs.
6. Placez l'anneau de montage par dessus le haut-parleur.
7. Placez le haut-parleur dans le trou et vissez-le.



Exemple d'installation de haut-parleur



Symptôme	Diagnostic	Solution
<i>Aucun son ne provient des haut-parleurs</i>	<p>Fils mal branchés.</p> <p>L'ampli n'émet aucun son.</p> <p>Court-circuit entre les câbles de haut-parleur ou entre les câbles et le châssis du véhicule.</p> <p>Haut-parleurs brûlés.</p>	<p>Vérifiez les câbles; réparez-les ou remplacez-les.</p> <p>Vérifiez à l'aide d'un ampli en bon état de fonctionnement et réparez ou remplacez au besoin.</p> <p>Vérifiez le câblage à l'aide d'un voltmètre-ohmmètre et réparez ou remplacez au besoin</p> <p>Vérifiez à l'aide d'un haut-parleur en bon état de fonctionnement et réparez ou remplacez au besoin.</p>
<i>Distorsion du son provenant des haut-parleurs</i>	Mauvais câblage entre le filtre et les haut-parleurs	Vérifiez les câbles; réparez-les ou remplacez-les.
<i>Les tweeters « brûlent » facilement</i>	<p>Puissance excessive émise par l'ampli</p> <p>L'égalisateur (si disponible) pousse les hautes fréquences de manière excessive</p>	<p>Vérifiez les réglages de gain de l'ampli et ajustez-les au besoin</p> <p>Vérifiez les réglages de l'égalisateur et ajustez-les au besoin</p>
<i>Bruit de moteur provenant d'un ou plusieurs haut-parleurs</i>	<p>Court-circuit entre les câbles et le châssis du véhicule.</p> <p>Les câbles de haut-parleur passent près d'une source d'alimentation élevée. (Câbles d'alimentation, ordinateurs de bord, etc.)</p> <p>Le filtre est installé près d'une source d'alimentation élevée.</p>	<p>Vérifiez le câblage à l'aide d'un voltmètre-ohmmètre et réparez ou remplacez au besoin</p> <p>Faites passer les câbles de haut-parleur à l'écart des sources de bruit.</p> <p>Déplacez les filtres à l'écart des sources de bruit.</p>

CARACTÉRISTIQUES

Voir « Specifications » (caractéristiques techniques) aux pages 8-10 de la section en anglais

Les spécifications sont sujettes à changements sans préavis

Rockford Corporation offre une garantie limitée sur les produits Rockford Fosgate selon les termes suivants :

Durée de la garantie

Sources audio, haut-parleurs, processeurs de signaux et amplificateurs PUNCH — 1 an

Amplificateurs POWER — 2 ans

Amplificateurs Type RF — 3 ans

Tout produit remis à neuf en usine — 90 jours (reçu obligatoire)

Couverture

Cette garantie s'applique uniquement aux produits Rockford Fosgate vendus à des consommateurs par des distributeurs agréés Rockford Fosgate, aux États-Unis d'Amérique et leurs territoires. Les produits achetés par des consommateurs auprès d'un distributeur agréé Rockford Fosgate, dans un autre pays, sont couverts par le distributeur de ce pays et non par Rockford Corporation.

Qui est couvert?

Cette garantie s'applique uniquement à l'acheteur initial du produit Rockford acheté aux États-Unis auprès d'un distributeur agréé Rockford Fosgate. Afin de bénéficier du service de garantie, l'acheteur doit fournir à Rockford une copie du reçu indiquant le nom du client, le nom du distributeur, le produit acheté et la date d'achat.

Les produits jugés défectueux durant la période de garantie seront réparés ou remplacés (par un produit jugé équivalent) au choix de Rockford.

Non-couverture

1. Dommages pour cause d'accident, d'abus, de mauvaise utilisation, d'eau, de vol, de transport
2. Coûts et frais relatifs au retrait ou à la réinstallation du produit
3. Service effectué par quelqu'un d'autre que Rockford ou un centre de service autorisé Rockford Fosgate
4. Tout produit dont le numéro de série a été oblitéré, altéré ou enlevé
5. Dommages subséquents infligés à d'autres composants
6. Tout produit acheté en dehors des États-Unis
7. Tout produit qui n'a pas été acheté auprès d'un distributeur agréé Rockford Fosgate

Limite sur les garanties implicites

Toute garantie implicite, y compris toute garantie d'adéquation à un usage particulier et de commerciabilité, est limitée dans le temps à la période de la garantie expresse énoncée ci-dessus. Certaines juridictions ne permettent pas de limitation sur la durée des garanties implicites. En conséquence, l'exclusion ci-dessus peut ne pas vous être applicable. Aucune personne n'est autorisée à assumer une quelconque autre responsabilité au nom de Rockford Fosgate relative à la vente de ce produit.

Pour l'obtention de service

Contactez le distributeur agréé Rockford Fosgate qui vous a vendu ce produit.

Si vous avez besoin d'aide, appelez le service à la clientèle Rockford au 1-800-669-9899. Vous devez obtenir un numéro d'autorisation de retour de marchandise (RA#) avant de renvoyer le produit à Rockford Fosgate. La responsabilité de l'envoi du produit à Rockford vous incombe entièrement.

Garantie de l'Union Européenne

Ce produit est conforme aux exigences de garantie actuelles de l'UE. Voir votre distributeur agréé pour plus de détails.

Destinataire : **Electronics**
Rockford Corporation
Warranty Repair Department
2055 E. 5th Street
Tempe, AZ 85281
N° ARM : _____

Destinataire : **Speakers**
Rockford Acoustic Design
Speaker Returns
2356 Turner Ave. NW
Grand Rapids, MI 49544
N° ARM : _____

INTRODUCCIÓN

Estimado Cliente:

Felicidades por su compra de la marca más fina de altavoces de automóvil. En Rockford Fosgate somos fanáticos de la mejor reproducción musical y estamos agradecidos de que haya escogido nuestro producto. Con muchos años de experiencia en ingeniería, conocimiento del oficio y procedimientos de prueba críticos, hemos creado un amplio rango de productos que reproducen música con toda la claridad y riqueza que usted se merece.

Para obtener el mejor rendimiento, le recomendamos que su nuevo producto de Rockford Fosgate sea instalado por un Concesionario Autorizado de Rockford Fosgate, ya que a través del Instituto de Capacitación Técnica Rockford (RTTI) ofrecemos capacitación especializada. Por favor lea su garantía y retenga su recibo y caja original para uso como referencia en el futuro.

Cuando se trata de su sistema, la excelencia del producto y la instalación competente sólo representan una pieza del rompecabezas. Asegúrese de que la persona que instale su sistema utilice accesorios de Connecting Punch 100% auténticos. Connecting Punch tiene todos los accesorios necesarios. Desde cables RCA y cableado para parlantes hasta líneas de alimentación y conectores de batería. ¡Insista en esto! Después de todo, su nuevo sistema sólo se merece lo mejor.

Para agregar el toque final a su nueva imagen Rockford Fosgate pida sus accesorios Rockford, que incluyen playeras, chaquetas, gorras y anteojos para sol.

Para obtener un folleto gratis de los productos de Rockford Fosgate y accesorios Rockford visite nuestro sitio web en: www.rockfordfosgate.com o, en los EE.UU. llame al 1-800-669-9899 o por fax al 1-800-398-3985.

Para todos los demás países, llame al +001-480-967-3565 o envíe un FAX al +001-480-967-8132.

PRACTIQUE EL SONIDO SEGURO

El contacto continuo con niveles de presión de sonido superiores a 100 dB puede causar la pérdida permanente de la audición. Los sistemas de sonido para automóviles de alta potencia pueden producir niveles de presión de sonido superiores a los 130 dB. Use su sentido común y practique el sonido seguro.

Si después de leer su manual tiene preguntas sobre este producto, le recomendamos que consulte a su concesionario de Rockford Fosgate. Si necesita asistencia adicional, puede llamarnos directamente al 1-800-669-9899. Asegúrese de tener su número de serie, número de modelo y fecha de compra disponibles cuando usted llame.

El número de serie se encuentra en el exterior de la caja. Por favor, escríbalo en el espacio que se indica a continuación para tener una anotación permanente. Esto servirá como verificación de su garantía de fábrica y podría ser de utilidad para recuperar su unidad fuente si alguna vez se la roban.

Número de serie: _____

Número de modelo: _____

ÍNDICE DE MATERIAS

Introducción	2
Instrucciones de seguridad	3
Lo Que Cubre Este Manual	3
Instalación	4-5
Consideraciones sobre la instalación	4
Montaje	4

Especificaciones	6
Información sobre la garantía limitada	7

NOTA: Lea cada sección para obtener información más detallada.

CÓMO COMENZAR

¡Bienvenido a Rockford Fosgate! Este manual ha sido creado para proporcionarle información al dueño, vendedor y técnico de instalación. Para quienes desean información rápida sobre cómo instalar este producto, por favor vean la **Sección Instalación** de este manual. El resto de la información puede encontrarse usando el Índice de Materias. Nosotros, en Rockford Fosgate, hemos trabajado mucho para asegurarnos que toda la información de este manual esté actualizada. Pero, como estamos encontrando nuevas maneras de mejorar nuestros productos constantemente, esta información está sujeta a cambio sin previo aviso.

INSTRUCCIONES DE SEGURIDAD



ADVERTENCIA

Este símbolo de **“ADVERTENCIA”** tiene por objeto alertar al usuario sobre la presencia de instrucciones de importancia. No tener en cuenta las instrucciones podría resultar en lesiones severas o muerte.



PRECAUCIÓN

Este símbolo de **“PRECAUCIÓN”** tiene por objeto alertar al usuario sobre la presencia de instrucciones de importancia. No tener en cuenta las instrucciones podría resultar en lesiones o daños a la unidad.



PRECAUCIÓN:

Para prevenir lesiones y daño a la unidad, por favor lea y cumpla las instrucciones de este manual. Queremos que disfrute este sistema, no que le de un dolor de cabeza.



PRECAUCIÓN

Si no tiene la certeza de poder instalar el sistema, hágalo instalar por una persona técnicamente calificada por Rockford Fosgate.



PRECAUCIÓN

Antes de la instalación, desconecte el terminal negativo (-) de la batería para que evite posibles lesiones, daños a la unidad o incendio.

LO QUE CUBRE ESTE MANUAL

Este manual cubre cuatro (4) partes del Sistema Componente Fanatic Q. Ellas son; Altavoz para frecuencias altas, Sistema, Bajo Medio y 3 vías, lo cual es una combinación de los tres anteriores. Cada uno de estos componentes se puede comprar por separado o juntos, y se pueden conectar a las otras piezas para personalizar el sistema de acuerdo a sus necesidades.

Siga todas las instrucciones de seguridad e instalación junto con las secciones que cubren los componentes que usted usa, para que obtenga la mayor satisfacción del Sistema Fanatic Q que usted configure.

Visite nuestro sitio web para obtener la información más reciente
sobre todos los productos Rockford.

www.rockfordfosgate.com

CONSIDERACIONES SOBRE LA INSTALACIÓN

La siguiente es una lista de las herramientas necesarias para la instalación:

Voltímetro / Ohmnímetro

Destornillador Phillips No. 2

Llave para bornes de batería

Taladro manual con distintas brocas

Tubos termoretráctiles de 1/8" de diámetro

Pelacables

Tenaza engarzadora de cables

Cortador de cables



PRECAUCIÓN: Si no está seguro sobre cómo instalar el sistema usted mismo, pídalo a un técnico calificado que lo instale.



PRECAUCIÓN: Antes de la instalación, desconecte el terminal negativo de la batería (-) para prevenir daño a la unidad, incendio y/o posibles lesiones.

Antes de comenzar la instalación, siga estas normas simples:

1. Asegúrese de leer y entender cuidadosamente las instrucciones antes de intentar instalar la unidad.
2. Para mayor seguridad, desconecte el electrodo negativo de la batería antes del comienzo de la instalación.
3. Para que la instalación sea más fácil, le sugerimos que corra todos los cables antes de montar la unidad en su lugar.
4. Use conectores de alta calidad para obtener una instalación fiable y reducir la pérdida de potencia.
5. ¡Piense antes de perforar! Tenga cuidado de no cortar o perforar el tanque de combustible, las líneas de combustible o líneas hidráulicas, líneas de vacío o cableado eléctrico cuando trabaje en cualquier vehículo.
6. Nunca pase los cables por debajo del vehículo. Pasar los cables por el interior del vehículo ofrece la mejor protección.
7. Evite pasar los cables sobre o por bordes filosos. Use anillos de goma o plástico para proteger los cables pasados a través del metal, especialmente el muro contra fuego.
8. Monte los altavoces / filtros de cruce lejos de fuentes eléctricas (aparte del amplificador) por ejemplo, cables de alimentación, bomba de combustible electrónica, computadoras en el vehículo y otras fuentes de ruido potenciales.
9. Monte los altavoces / cruces lejos de puntos en donde haya demasiado calor o humedad.

MONTAJE

Altavoces/Altavoces para Frecuencias Altas

1. Determine dónde se montará los altavoces. Elija un área que sea lo suficientemente grande para montar el altavoz en forma nivelada. Asegúrese de que el lugar de montaje es lo suficientemente profundo para que el altavoz encaje; si va a montar el altavoz en una puerta, opere todas las funciones (ventanas, trabas, etc.) en movimiento completo para estar seguro de que no hay ninguna obstrucción.
2. Cuando monte los altavoces en la cubierta posterior del vehículo, revise el funcionamiento de la puerta trasera o tapa del maletero. Compruebe que las barras de torsión u otras piezas que se muevan no sean obstruidas por la instalación del altavoz.
3. Consulte la tabla de especificaciones para determinar el diámetro correcto del agujero a cortar para su modelo de altavoz.

Filtros de Cruce

1. Compruebe que haya una zona plana suficientemente amplia para montar el filtro de cruce.
2. Para obtener mejores resultados, monte el (los) filtros de cruce al lado del amplificador para darle un acabado decorativo a la instalación y facilitar la actualización (sin poner más cables) para añadir un sistema biamplificado Rockford Fosgate en el futuro.

Utilice esta sección cuando instale altavoces de frecuencias altas o sistemas

Una de las áreas más difíciles de lograr en un vehículo es una fase frontal sólida y con buena reflexión. Ningún automóvil posee el entorno auditivo óptimo. Eso hace que el logro de la representación sonora sea bastante difícil. La tendencia es poner la mayoría de los altavoces donde encajen con facilidad, en vez de ponerlos donde produzcan el mejor desempeño. El punto de montaje de los altavoces ejerce un gran efecto en la calidad del sonido de su sistema. El cuidado especial dedicado a la posición de los altavoces producirá muchas horas de placer auditivo. Se deben seguir varias recomendaciones especiales.

- Ponga los altavoces donde tengan un trayecto directo a la zona de audición.
- Para integrar los altavoces de frecuencia intermedia con los de frecuencias altas de una mejor manera, debe poner los de frecuencia alta a menos de 2" de los de frecuencia intermedia (Figura 1).
- Si no lo puede poner a menos de 2", entonces póngalo a 7". El poner el altavoz de frecuencias graves a 2"-7" del de frecuencias intermedias puede ocasionar una interferencia destructiva (problemas de frecuencia de respuesta) lo cual afecta la capacidad del altavoz para reproducir la gama de frecuencias alrededor de la frecuencia de transición del sistema.
- Cuando sea posible, ponga el altavoz de frecuencias altas directamente encima o debajo del de frecuencias intermedias, ya que eso maximiza la capacidad de reflexión (fuente de punto) de los altavoces (Figura 1).
- El sonido emanado de una "fuente de punto" brinda la mejor reflexión estéreo puesto que la separación de los centros acústicos entre el intermedio y el agudo para cada canal está a la distancia óptima. En un entorno encerrado como el de un automóvil, la alineación horizontal (Figura 2) puede causar graves diferencias de amplitud y fase, lo cual degrada no solo la reflexión, sino que también degrada la frecuencia de respuesta. Eso es debido a las diferencias de la longitud del trayecto existentes entre los altavoces intermedios y los agudos. El montaje del altavoz con una diferencia de longitud de trayecto mínima garantiza la mejor representación y reflexión posible del sistema de sonido.

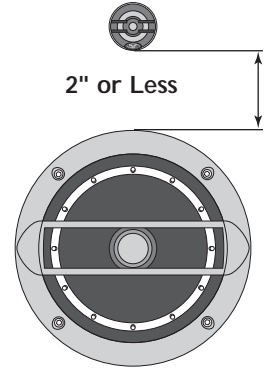


Figure 1

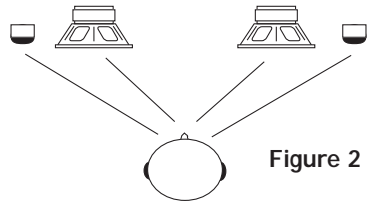
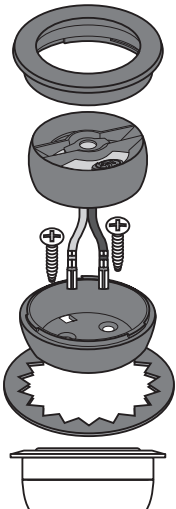


Figure 2

Montaje a ras



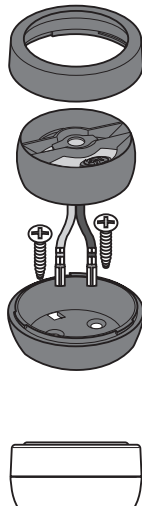
Cubierta Superior

Altavoz de frecuencias altas

Cubierta Inferior

Sujetadores

Instalación sobre superficie

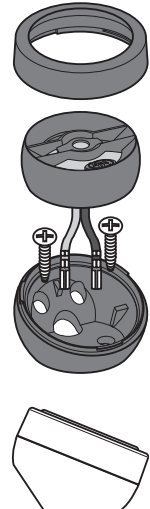


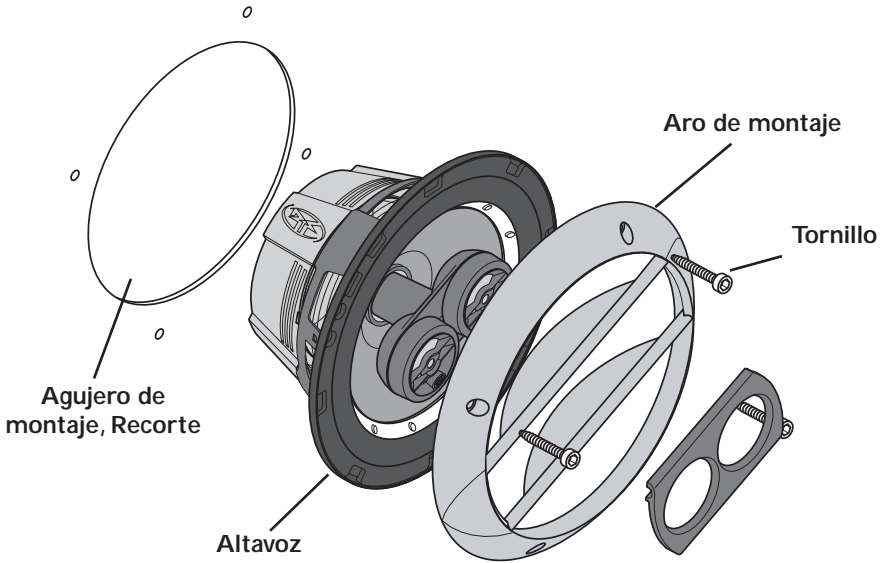
Cubierta Superior

Altavoz de frecuencias altas

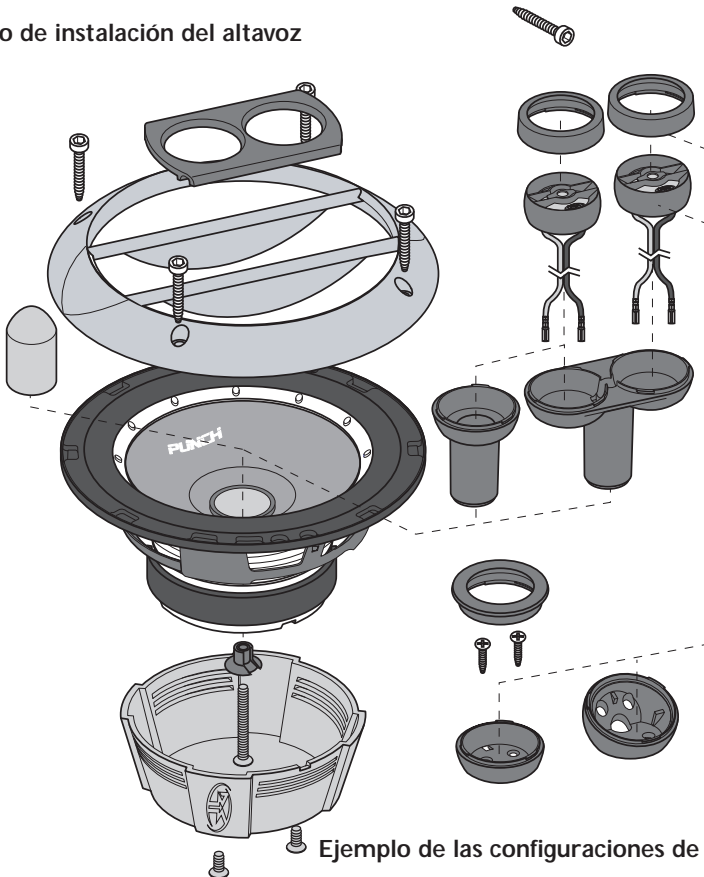
Cubierta Inferior

Montaje acuñado





Ejemplo de instalación del altavoz



Ejemplo de las configuraciones de la asamblea

Síntoma	Diagnóstico	Corrección
<i>Los altavoces no producen sonido</i>	<p>Cables sin conexiones adecuadas.</p> <p>El amplificador no tiene salida.</p> <p>Los cables de los altavoces están en corto entre sí o con el chasis del vehículo.</p> <p>Los altavoces están fundidos.</p>	<p>Revise los cables, arrégelos o cámbielos.</p> <p>Revíselo con un amplificador en funcionamiento y arrégelo o cámbielo como sea necesario.</p> <p>Revise los cables con un voltímetro / Ohmnímetro, arregle y cambie lo que sea necesario.</p> <p>Revíselo con un altavoz en funcionamiento y arrégelo o cámbielo como sea necesario.</p>
<i>El sonido de los altavoces es distorsionado</i>	Cableado incorrecto entre el filtro de cruce y los altavoces de frecuencias altas	Revise los cables, arrégelos o cámbielos.
<i>Los altavoces de frecuencia alta se "queman" fácilmente</i>	<p>Potencia excesiva proveniente del amplificador</p> <p>El ecualizador (si lo hay) está sobrealimentado en la gama de frecuencias altas</p>	<p>Revise los ajustes de ganancia en el amplificador y reajústelos como sea necesario</p> <p>Revise los ajustes del ecualizador y reajústelos como sea necesario</p>
<i>Ruido del motor proveniente de uno o más altavoces</i>	<p>Los cables están en corto con el chasis del vehículo.</p> <p>Los cables del altavoz están encaminados cerca a una fuente de alta potencia. (Cables de alimentación, computadora del vehículo, etc.)</p> <p>El filtro de cruce de frecuencias está montado cerca de una fuente de alta potencia.</p>	<p>Revise los cables con un voltímetro / Ohmnímetro, arregle y cambie lo que sea necesario.</p> <p>Reubique el cable de los altavoces lejos de fuentes de ruido.</p> <p>Mueva los filtros de cruce de frecuencia lejos de fuentes de ruido.</p>

ESPECIFICACIONES

Ver las especificaciones en las páginas 8-10 de la sección en inglés

Estas especificaciones están sujetas a cambiar sin aviso

Rockford Corporation ofrece una garantía limitada para los productos Rockford Fosgate bajo los siguientes términos:

Duración de la garantía

Unidades Fuente, altavoces, procesadores de señales y amplificadores PUNCH—1 año

Amplificadores POWER—2 años

Amplificadores Type RF—3 años

Cualquier producto de fábrica restaurado—90 días (comprobante de compra requerido)

Qué está cubierto

Esta garantía se aplica solamente a los productos Rockford Fosgate vendidos a consumidores por Concesionarios Autorizados Rockford Fosgate en los Estados Unidos o sus posesiones. Los productos comprados por los consumidores en un Distribuidor Autorizado Rockford Fosgate de otro país están cubiertos solamente por el Distribuidor de dicho país y no por Rockford Corporation.

Quién está cubierto

Esta garantía cubre solamente al comprador original del producto Rockford comprado en un Concesionario Autorizado de Rockford Fosgate de los Estados Unidos. Para poder recibir el servicio, el comprador debe presentarle a Rockford una copia del recibo indicando el nombre del cliente, nombre del distribuidor, producto comprado y la fecha de la compra.

Los productos que estén defectuosos durante el periodo de la garantía serán arreglados o reemplazados (con un producto equivalente) a entera discreción de Rockford.

Qué no está cubierto

1. Daños causados por accidentes, maltrato, operación incorrecta, agua, robo, transporte
2. Cualquier costo o gasto relacionado con la desinstalación o nueva instalación del producto
3. Servicios prestados por alguien que no sea un Centro de Servicio Autorizado por Rockford Fosgate
4. Cualquier producto que tenga el número de serie borrado, alterado o removido
5. Daños posteriores a otros componentes
6. Cualquier producto comprado fuera de los EE.UU.
7. Cualquier producto no comprado en un Distribuidor Autorizado de Rockford Fosgate

Límite de las garantías implícitas

Cualquier garantía implícita incluyendo las garantías de aptitud de uso y comerciabilidad, está limitada, en duración al período de la garantía expresa indicada anteriormente. Algunos estados no permiten limitaciones en la duración de una garantía implícita, de modo que esta limitación puede no aplicarse. Ninguna persona está autorizada a adoptar ninguna otra obligación en conexión con la venta del producto en nombre de Rockford Fosgate.

Cómo obtener servicio

Comuníquese con el distribuidor autorizado de Rockford Fosgate donde compró este producto.

Si necesita ayuda adicional, llame al 1-800-669-9899 para hablar con la oficina de Servicio al Cliente de Rockford. Debe obtener un # NADM (Número de Autorización para la Devolución del Material) para enviar cualquier producto a Rockford Fosgate. Usted es responsable por el envío del producto a Rockford.

Garantía UE

Este producto satisface los requisitos de garantía de la UE actuales, ver al distribuidor autorizado para mayores detalles.

Enviar a: **Electronics**
Rockford Corporation
Warranty Repair Department
2055 E. 5th Street
Tempe, AZ 85281
RA#: _____

Enviar a: **Speakers**
Rockford Acoustic Design
Speaker Returns
2356 Turner Ave. NW
Grand Rapids, MI 49544
RA#: _____

EINLEITUNG

Liebe Kundin, lieber Kunde,

wir gratulieren Ihnen zu Ihrem Kauf von Autolautsprechern der besten Marke weltweit. Wir bei Rockford Fosgate sind Fanatiker, wenn es um die beste musikalische Reproduktion geht, und freuen uns darüber, dass Sie unser Produkt gewählt haben. Durch jahrelange Ingenieurerfahrung, Handwerkskunst und kritische Testverfahren haben wir ein weites Spektrum an Produkten geschaffen, die die Musik mit aller Klarheit und Klangschönheit reproduziert, die Sie verdienen.

Zur maximalen Performance empfehlen wir, dass Sie Ihr neues Rockford Fosgate Produkt von einem Vertragshändler von Rockford Fosgate einbauen lassen, da wir durch das Rockford Technical Training Institute (RTTI) spezialisierte Ausbildung bieten. Bitte lesen Sie Ihre Garantie und bewahren Sie Ihre Quittung und Originalverpackung zum eventuellen späteren Gebrauch auf.

Hervorragende Produkte und kompetenter Einbau sind nur Teile des Puzzles, wenn es um Ihr System geht. Vergewissern Sie sich, dass derjenige, der Ihr System einbaut, nur authentischen Installationszubehör von Connecting Punch bei Ihrem Einbau verwendet. Connecting Punch führt alles von RCA- und Lautsprecherkabeln zu Stromkabeln und Batterieadaptoren. Bestehen Sie darauf! Schließlich verdient Ihr neues System nur das Beste.

Um Ihrem neuen Rockford Fosgate Image den letzten Schliff zu geben, bestellen Sie Ihre Rockford Accessoires. Dazu gehört alles von T-Shirts und Jacken zu Kappen und Sonnenbrillen.

Eine kostenlose Broschüre über Rockford Fosgate Produkte und Rockford Accessoires

besuchen Sie uns im Web unter: www.rockfordfosgate.com

oder wählen Sie in den USA 1-800-669-9899 oder FAX 1-800-398-3985.

Anrufer aus anderen Ländern wählen bitte zunächst die Ländervorwahl +001.

Deutsch

PRAKTIZIEREN SIE SICHEREN SOUND

Fortgesetzte Geräuschdruckpegel von über 100 dB können beim Menschen zu permanentem Hörverlust führen. Leistungsstarke Autosoundsysteme können Geräuschdruckpegel erzeugen, die weit über 130 dB liegen. Bitte wenden Sie gesunden Menschenverstand an und praktizieren Sie sicheren Sound.

Falls Sie nach der Lektüre Ihrer Gebrauchsanleitung noch Fragen hinsichtlich dieses Produkts haben, empfehlen wir, dass Sie einen Rockford Fosgate Vertragshändler kontaktieren. Wenn Sie weitere Fragen haben, können Sie uns direkt unter 1-800-669-9899 anrufen. Bei Ihrem Anruf haben Sie bitte die Seriennummer, Modellnummer und das Kaufdatum griffbereit.

Die Seriennummer befindet sich auf der Außenseite der Verpackung. Bitte notieren Sie diese Nummer nachfolgend, so dass sie stets bei Ihren Unterlagen ist. Sie dient zur Verifizierung Ihrer Werksgarantie und kann sich als nützlich erweisen, sollte Ihr Gerät jemals gestohlen werden.

Seriennummer: _____

Modellnummer: _____

INHALTSVERZEICHNIS

Einleitung	2
Sicherheitshinweise	3
Was Sie in dieser Anleitung finden	3
Einbau	4-5
Einbauüberlegungen	4
Befestigung	4

Technische Daten	6
Informationen zur beschränkten Garantie	7

HINWEIS: Lesen Sie jeden Abschnitt für detaillierte Informationen.

HIER GEHT'S LOS

Willkommen bei Rockford Fosgate! Diese Anleitung bietet dem Besitzer, Verkäufer und Einbauenden Informationen. Kurzgefasste Informationen zum Einbau dieses Produkts finden sich im **Abschnitt „Einbau“** dieser Anleitung. Andere Informationen können Sie mithilfe des Inhaltsverzeichnisses auffinden. Wir bei Rockford Fosgate haben uns sehr darum bemüht, dass alle in dieser Anleitung enthaltenen Informationen auf dem neusten Stand sind. Da wir unsere Produkte jedoch ständig weiterentwickeln, können sich diese Informationen jedoch ohne Ankündigung ändern.

SICHERHEITSHINWEISE

WARNUNG

Dieses Symbol mit dem Wort „**WARNUNG**“ soll den Benutzer auf wichtige Hinweise aufmerksam machen. Nichtbeachtung der Hinweise führt zu schweren Verletzungen oder Tod.

VORSICHT

Dieses Symbol mit dem Wort „**VORSICHT**“ soll den Benutzer auf wichtige Hinweise aufmerksam machen. Nichtbeachtung der Hinweise kann zu Verletzungen oder Schäden am Gerät führen.

VORSICHT:

Bitte lesen Sie zur Vermeidung von Verletzungen und Schäden am Gerät die Hinweise in dieser Anleitung. Wir möchten, dass Ihnen dieses System Freude, nicht Kopfschmerzen bereitet.

VORSICHT:

Wenn Sie beim Einbau des Geräts unsicher sind, lassen Sie es bitte von einem qualifizierten Rockford Fosgate Techniker einbauen.

VORSICHT:

Entfernen Sie vor dem Einbau den negative Batteriepol, um Schäden am Gerät, Feuer bzw. mögliche Verletzungen zu vermeiden.

WAS SIE IN DIESER ANLEITUNG FINDEN

Diese Anleitung befasst sich mit vier (4) Teilen des Fanatic-Q-Komponentensystems, und zwar: Hochtöner, System, Tiefmitteltöner und Dreiwegsystem, was eine Kombination der vorherigen drei ist. Jedes dieser Komponententeile kann einzeln oder zusammen gekauft und mit den anderen Teilen verbunden werden, um ein auf Ihre persönlichen Bedürfnisse zugeschnittenes System zu bilden.

Befolgen Sie alle Sicherheits- und Einbauanweisungen sowie die Abschnitte, die sich auf die jeweiligen Komponenten beziehen, die Sie benutzen, damit das Fanatic-Q-System, das Sie erstellen, Ihnen möglichst viel Freude bringt.

Die neusten Informationen über alle Rockford Produkte finden Sie auf unserer Website im Internet.

www.rockfordfosgate.com

EINBAUÜBERLEGUNGEN

Die nachfolgenden Werkzeuge werden für den Einbau benötigt:

- | | |
|--|----------------|
| Volt-/Ohmmeter | Abisolierzange |
| Kreuzschraubenzieher Nr. 2 | Drahtkripper |
| Batteriestützenschlüssel | Drahtschere |
| Handbohrer mit verschiedenen Bohrspitzen | |
| Schrumpfschlauch, 3 mm Durchmesser | |



VORSICHT: Wenn Sie beim Einbau des Geräts unsicher sind, lassen Sie es bitte von einem qualifizierten Rockford Fosgate Techniker einbauen.



VORSICHT: Entfernen Sie vor dem Einbau den negativen Batteriepol, um Schäden am Gerät, Feuer bzw. mögliche Verletzungen zu vermeiden.

Befolgen Sie vor dem Einbau diese einfachen Regeln:

1. Lesen Sie die Anleitung sorgfältig, bevor Sie versuchen das Gerät einzubauen.
2. Entfernen Sie vor dem Einbau aus Sicherheitsgründen das negative Kabel von der Batterie.
3. Zur Erleichterung der Montage empfehlen wir, vor dem Einbau Ihres Geräts zunächst alle Kabel zu verlegen.
4. Verwenden Sie nur Qualitätsstecker, um einen verlässlichen Einbau zu gewährleisten und Signal- und Stromverlust zu minimieren.
5. Denken Sie nach, bevor Sie bohren! Achten Sie darauf, nicht in den Benzintank, die Benzin-, Brems- oder hydraulische Leitungen, Vakuumleitungen oder Elektrokabel zu schneiden oder zu bohren, wenn Sie an einem Fahrzeug arbeiten.
6. Verlegen Sie Kabel nie unter dem Fahrzeug. Die Kabel im Fahrzeug zu verlegen, bietet den besten Schutz.
7. Vermeiden Sie es, Kabel über scharfe Kanten zu verlegen. Verwenden Sie Gummi- oder Plastikringe, um Kabel zu schützen, die durch Metall verlegt werden (besonders die Feuerwand).
8. Die Lautsprecher/Crossover im Abstand von Stromquellen (außer dem Verstärker), d.h. Stromkabeln, elektrischen Benzinpumpen, Fahrzeugcomputern und anderen potentiellen Geräuschquellen anbringen.
9. Die Lautsprecher/Crossover im Abstand von extrem heißen oder feuchten Bereichen anbringen.

BEFESTIGUNG

Lautsprecher/Hochtöner

1. Entscheiden Sie, wo die Lautsprecher angebracht werden sollen. Der Bereich muss groß genug sein, so dass der Lautsprecher gleichmäßig befestigt werden kann. Prüfen, ob die Befestigungsstelle die zum Einbau des Lautsprechers nötige Tiefe aufweist. Beim Einbau in einer Tür alle Funktionen (Fenster, Schlösser usw.) in ihrem gesamten Betriebsumfang testen, um zu gewährleisten, dass keine Behinderung vorliegt.
2. Bei Befestigung des/der Lautsprecher auf der Rückablage des Fahrzeugs die Funktionsfähigkeit von Heckklappe oder Kofferraumdeckel überprüfen. Die Drehstabfedern und andere bewegliche Teile dürfen durch den Einbau des/der Lautsprecher(s) nicht blockiert werden.
3. Benutzen Sie die Tabelle mit technischen Daten, um den korrekten Durchmesser des für Ihr Lautsprechermodell zu schneidenden Lochs festzustellen.

Crossover

1. Zum Einbau des Crossovers muss eine flache und ausreichend große Fläche vorhanden sein.
2. Die besten Ergebnisse werden erzielt, wenn das/die Crossover neben dem Verstärker angebracht werden. Dies hat einen dekorativen Effekt und erleichtert die spätere Erweiterung zu einem Rockford-Fosgate-System mit zwei Verstärkern (keine weitere Kabelverlegung).

Dieser Abschnitt bezieht sich auf den Einbau von Hochtönern en und Systemen

In einem Fahrzeug ist es eine der schwierigsten Aufgaben, einen soliden Frontaufbau mit guter Darstellung zu erzielen. Kein Auto bietet die optimale Hörumgebung. Dies gestaltet einen ordnungsgemäßen Klangaufbau äußerst schwierig. Die meisten Lautsprecher werden dort platziert, wo sie leicht passen, nicht dort, wo sie die beste Leistung erbringen. Die Einbaustelle Ihrer Lautsprecher wirkt sich dramatisch auf die Klangqualität Ihres Stereosystems aus. Besondere Sorgfalt bei der Platzierung der Lautsprecher macht sich durch viele Stunden an Hörvergnügen bezahlt. Mehrere wichtige Empfehlungen sollten dabei befolgt werden.

- Die Lautsprecher dort platzieren, wo sie einen direkten Weg zum Hörbereich haben.
- Die beste Integration zwischen Mitteltoner und Hochtöner wird erzielt, wenn der Hochtöner höchstens 5 cm vom Mitteltoner entfernt platziert wird (Abbildung 1).
- Wenn es nicht möglich ist, den Hochtöner höchstens 5 cm vom Mitteltoner entfernt zu platzieren, dann den Hochtöner wenigstens 18 cm vom Mitteltoner entfernt platzieren. Eine Platzierung des Hochtöners 5 bis 18 cm vom Mitteltoner kann destruktive Störungen hervorrufen (Probleme beim Frequenzverhalten), die sich auf die Fähigkeit des Lautsprechers auswirken, den Frequenzbereich um die Crossover-Frequenz des Systems zu reproduzieren.
- Wenn möglich, den Hochtöner direkt über oder unter dem Mitteltoner platzieren, da dies die Darstellungsfähigkeit (Punktquelle) des Lautsprechers maximiert (Abbildung 1).
- Klang, der von einer „Punktquelle“ strahlt, bietet die beste Stereodarstellung, weil sich die Trennung der akustischen Zentren zwischen dem Mitteltoner und Hochtöner für jeden Kanal in optimalem Abstand befindet. In einer abgeschlossenen Hörumgebung wie in einem Auto kann die horizontale Lautsprecheranordnung (Abbildung 2) ernsthafte Amplituden- und Phasenunterschiede verursachen, die nicht nur die Darstellung sondern auch das Frequenzverhalten herabsetzen. Der Grund hierfür sind die Schallwegunterschiede zwischen Mitteltoner und Hochtöner. Anbringen des Lautsprechers bei minimalem Schallwegunterschied gewährleistet bestmöglichen Aufbau und Darstellung mit Ihrem Audiosystem.

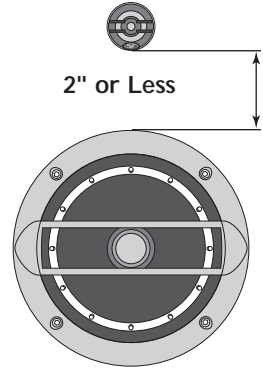


Figure 1

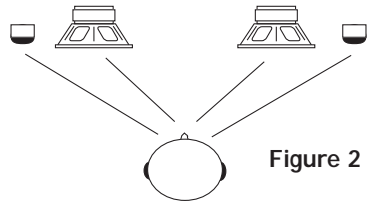
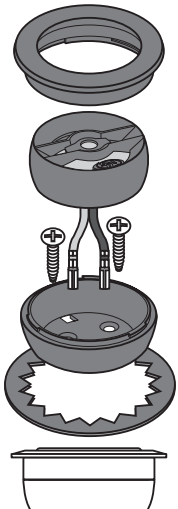


Figure 2

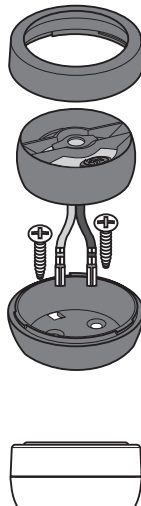
Bündiger Einbau

Oberflächeneinbau

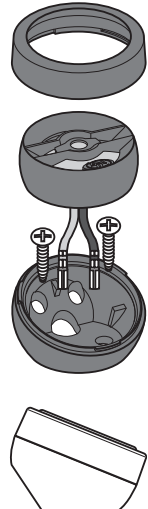
Keilförmiger Einbau

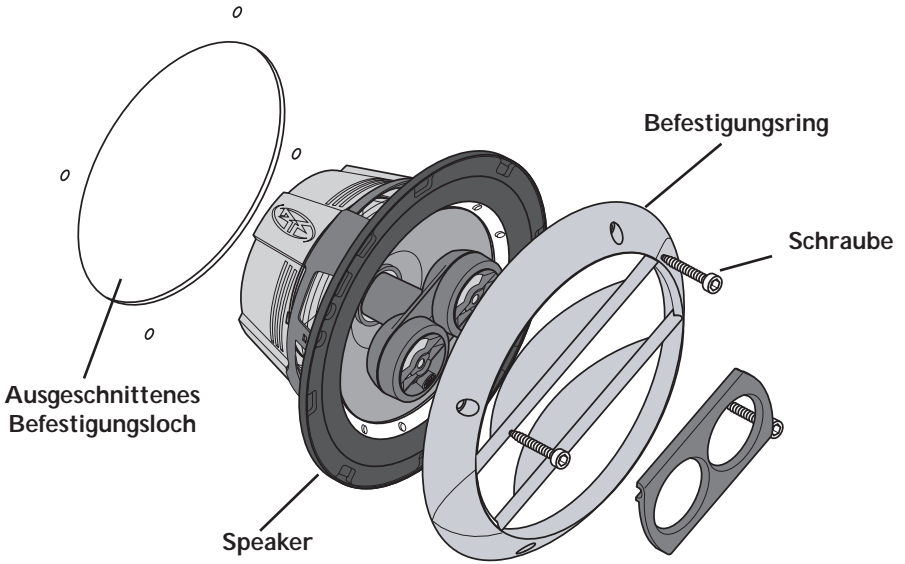


Oberes Gehäuse
Hochtöner
Unteres Gehäuse
Klemmen

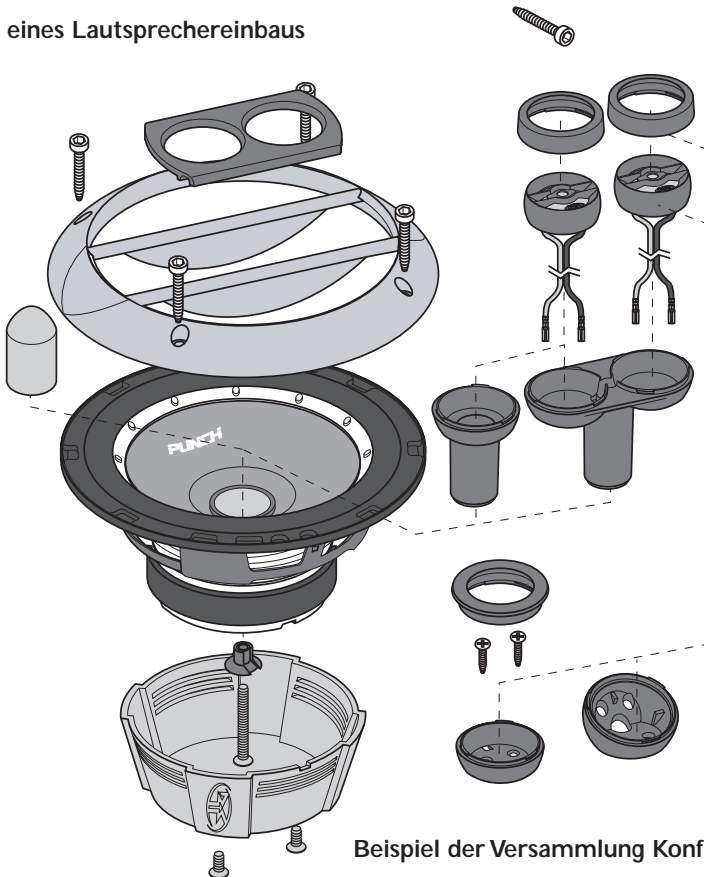


Oberes Gehäuse
Hochtöner
Unteres Gehäuse





Beispiel eines Lautsprechereinbaus



Beispiel der Versammlung Konfigurationen

FEHLERBESEITIGUNG

	Symptom	Diagnose	Maßnahme
	Kein Klang von den Lautsprechern	Kabel sind nicht ordnungsgemäß angeschlossen. Verstärker bringt keine Leistung. Lautsprecherkabel schließen sich untereinander oder über das Fahrgestell kurz. Lautsprecher sind defekt.	Verkabelung überprüfen, reparieren oder ersetzen. Mit einem funktionierenden Verstärker überprüfen und nach Bedarf reparieren oder ersetzen. Verkabelung mit einem Volt-/Ohmmeter überprüfen und nach Bedarf reparieren oder ersetzen. Mit einem funktionierenden Lautsprecher überprüfen und nach Bedarf reparieren oder ersetzen.
Deutsch	Verzerrter Klang von den Lautsprechern	Inkorrekte Verkabelung zwischen Crossover und Lautsprechern	Verkabelung überprüfen, reparieren oder ersetzen.
	Hochtöner „brennen“ leicht „durch“.	Exzessive Leistung vom Verstärker Equalizer (falls vorhanden) hat exzessiven Boost im hohen Frequenzbereich	Lautstärkeinstellungen am Verstärker überprüfen und nach Bedarf anpassen Einstellungen am Equalizer überprüfen und nach Bedarf anpassen
	Motorgeräusche aus einem oder mehreren Lautsprechern	Kabel sind über das Fahrgestell kurzgeschlossen. Lautsprecherkabel verlaufen in der Nähe einer Hochstromquelle (Stromkabel, Fahrzeugcomputer usw.). Crossover ist in der Nähe einer Hochstromquelle angebracht.	Verkabelung mit einem Volt-/Ohmmeter überprüfen und nach Bedarf reparieren oder ersetzen. Lautsprecherverkabel im Abstand von Geräuschquellen neu verlegen. Die Crossover von Geräuschquellen entfernen.

TECHNISCHE DATEN

Siehe Technische Daten auf Seite 8-10 des englischen Abschnitts

Die technischen Daten können sich ohne Ankündigung ändern.

Rockford Corporation bietet für Rockford Fosgate Produkte eine beschränkte Garantie zu folgenden Bedingungen:

Laufzeit der Garantie

Source-Geräte, Lautsprecher, Signalprozessoren und PUNCH-Verstärker – 1 Jahr
POWER-Verstärker – 2 Jahre **Type RF-Verstärker – 3 Jahre**
Alle werkseitig aufgearbeiteten Produkte – 90 Tage (Quittung erforderlich)

Was gedeckt ist

Diese Garantie erstreckt sich nur auf Rockford Fosgate Produkte, die von Rockford Fosgates Vertragshändlern an Verbraucher in den Vereinigten Staaten von Amerika oder deren Besitzungen verkauft wurden. Produkte, die von Rockford Fosgates Vertragshändlern an Verbraucher in einem anderen Land verkauft wurden, sind nur durch den Händler in dem betreffenden Land, nicht jedoch durch die Rockford Corporation gedeckt.

Wer ist gedeckt

Diese Garantie deckt nur den ursprünglichen Käufer von Rockford Produkten, die von einem Rockford Fosgate Vertragshändler in den Vereinigten Staaten gekauft wurden. Um Leistungen in Anspruch zu nehmen, muss der Käufer Rockford eine Kopie der Quittung vorlegen, die den Kundennamen, den Händlernamen, das Produkt und das Kaufdatum angibt.

Produkte, die sich während der Garantiezeit als defekt erweisen, werden nach Rockford Fosgates Ermessen repariert oder (mit einem Produkt, das als gleichwertig erachtet wird,) ersetzt.

Was nicht gedeckt ist

1. Durch Unfall, Missbrauch, unsachgemäßen Betrieb, Wasser, Diebstahl oder Versand verursachte Schäden
2. Jegliche Kosten, die im Zusammenhang mit Ein- bzw. Ausbau des Produkts entstanden sind
3. Leistungen, die nicht von Rockford oder einem autorisierten Rockford Fosgate Servicecenter erbracht wurden
4. Produkte, an denen die Seriennummer unkenntlich gemacht, verändert oder entfernt wurde
5. Folgeschäden an anderen Komponenten
6. Produkte, die außerhalb der USA gekauft wurden
7. Produkte, die nicht von einem Rockford Fosgate Vertragshändler gekauft wurden

Einschränkung von implizierten Garantien

Implizierte Garantien, einschließlich von Garantien der Eignung für einen bestimmten Zweck und Marktgängigkeit, werden auf den Zeitraum der obenstehenden ausdrücklichen Garantie beschränkt. Manche Staaten erlauben Einschränkungen der Gültigkeit der implizierten Garantie nicht. Daher trifft diese Einschränkung nicht in allen Fällen zu.

Inanspruchnahme des Kundendienstes

Kontaktieren Sie bitte den Rockford Fosgate Vertragshändler, bei dem Sie dieses Produkt gekauft haben. Benötigen Sie zusätzliche Hilfe, rufen Sie den Kundendienst von Rockford unter 1-800-669-9899 an. Sie erhalten dann eine RA# (Rücksendungsautorisierungsnummer), um jegliche Produkte an Rockford Fosgate zurückzusenden. Sie sind für die Rücksendung des Produkts an Rockford verantwortlich.

EU-Garantie

Dieses Produkt entspricht den gültigen EU-Garantiebestimmungen. Sprechen Sie mit Ihrem Vertragshändler über die Einzelheiten.

Senden an: **Electronics**
Rockford Corporation
Warranty Repair Department
2055 E. 5th Street
Tempe, AZ 85281
RA#: _____

Senden an: **Speakers**
Rockford Acoustic Design
Speaker Returns
2356 Turner Ave. NW
Grand Rapids, MI 49544
RA#: _____

INTRODUZIONE

Egregio cliente,

Congratulazioni per aver acquistato la miglior marca di altoparlanti per auto a livello mondiale. Alla Rockford Fosgate, siamo fanatici per quanto riguarda la miglior riproduzione musicale e siamo compiaciuti che abbiate scelto il nostro prodotto. Dopo anni di competenza ingegneristica, maestria manuale e procedure di prova critica, abbiamo creato una larga gamma di prodotti che riproducono la musica con la limpidezza e la pienezza che vi meritate.

Per ottenere le massime prestazioni vi consigliamo di far installare il vostro nuovo prodotto Rockford Fosgate da un rivenditore autorizzato, in quanto noi forniamo un addestramento specializzato ai nostri tecnici attraverso il Rockford Fosgate Technical Training Institute (RTTI). Vi preghiamo di leggere con cura i termini della garanzia e di serbare sia la ricevuta che l'imballaggio originale per qualsiasi evenienza futura.

Un prodotto superiore ed un'installazione competente rappresentano soltanto una parte del quadro generale quando si tratta del vostro sistema audio. Dovrete assicurarvi che il vostro installatore abbia utilizzato accessori da installazione della Connecting Punch, autentici al 100%. La Connecting Punch ha proprio tutto—da cavi e fili RCA per altoparlanti a connettori Power di linea e di batterie. Insistete! Dopo tutto, il vostro nuovo sistema audio si merita solo il meglio.

Per aggiungere poi il tocco finale alla vostra nuova immagine da Rockford Fosgate, dovrete ordinare gli accessori Rockford, che comprendono di tutto—dalle magliette e le giacche ai cappelli e gli occhiali da sole.

Per ottenere un opuscolo gratuito illustrante i prodotti della Rockford Fosgate nonché gli accessori,

visitate il nostro sito: www.rockfordfosgate.com

oppure, negli USA, chiamate il numero 1-800-669-9899 o il FAX 1-800-398-3985.

Da tutti gli altri paesi, telefonare al numero +001-480-967-3565 oppure inviare una fax al numero +001-480-967-8132.

OSSERVATE LE REGOLE DEL "SUONO SENZA PERICOLI"

La costante esposizione a livelli di pressione acustica al di sopra dei 100dB possono causare la perdita permanente dell'udito. I sistemi audio ad alta potenza possono produrre livelli di pressione acustica ben superiori ai 130dB. Si consiglia il buon senso e l'osservanza delle regole del "suono senza pericoli"

Se dopo aver letto il vostro manuale, avete ancora delle domande al riguardo del vostro prodotto, vi preghiamo di consultare il vostro rivenditore Rockford Fosgate. Se necessitaste di qualsiasi assistenza ulteriore, potrete telefonarci direttamente al numero 1-800-669-9899. Vi chiederemo di fornire il vostro numero di serie, numero di modello, e la data d'acquisto.

Il numero di serie è ubicato sull'esterno della scatola. Vi preghiamo di annotarlo in modo permanente nello spazio fornito di sotto. Questo numero vi servirà da verifica nei confronti della vostra garanzia di fabbrica e potrebbe rivelarsi utile nel recupero della vostra unità di fonte se mai venisse rubata.

Numero di serie: _____

Numero di modello: _____

INDICE

Introduzione	2	Specifiche	6
Istruzioni di sicurezza	3	Informazioni inerenti alla garanzia	
Contenuto del manuale	3	limitata	7
Installazione	4-5		
Considerazioni sull'installazione	4		
Montaggio	4		

NOTA: Ripassare ciascuna sezione per ulteriori ragguagli.

PRIMI PASSI

Benvenuti alla Rockford Fosgate! Questo manuale è stato concepito per fornire ragguagli al proprietario, al rivenditore e all'installatore. Per coloro che desiderano informazioni rapide circa l'installazione di questo prodotto, vi preghiamo di consultare la **sezione Installazione** di questo manuale. Altri ragguagli sono disponibili attraverso l'Indice. Alla Rockford Fosgate, abbiamo fatto di tutto per assicurarci che tutte le informazioni contenute in questo manuale fossero d'uso corrente. Pertanto, dato che siamo sempre alla ricerca di nuovi modi per migliorare i nostri prodotti, tali informazioni sono soggette a modifiche senza preavviso.

ISTRUZIONI DI SICUREZZA

AVVERTIMENTO

Questo simbolo con la dicitura "**AVVERTIMENTO**" intende avvertire l'utente alla presenza di istruzioni importanti. La mancata osservanza di queste istruzioni potrebbe causare gravi lesioni personali o persino la morte.

ATTENZIONE

Questo simbolo con la dicitura "**ATTENZIONE**" intende avvertire l'utente alla presenza di istruzioni importanti. La mancata osservanza di queste istruzioni potrebbe causare gravi lesioni personali o danni all'unità.

ATTENZIONE:

Per evitare lesioni personali e danni all'unità, vi preghiamo di leggere e seguire le istruzioni in questo manuale. Desideriamo che questo sistema audio vi procuri soddisfazione, non un mal di capo.

ATTENZIONE:

Se avete dei dubbi circa l'installazione, rivolgetevi ad un tecnico qualificato della Rockford Fosgate.

ATTENZIONE:

Prima dell'installazione, scollegate il terminale negativo (-) della batteria per evitare danni all'unità, pericoli d'incendio e/o potenziali lesioni personali.

CONTENUTO DEL MANUALE

Il presente manuale descrive le quattro (4) parti dell'impianto Fanatic Q: tweeter, sistema, bassi intermedi e altoparlante a 3 vie; quest'ultimo è una combinazione degli altri tre. Ciascuno di questi componenti è acquistabile separatamente o insieme ed è collegabile agli altri componenti, in modo da configurare un impianto che risponda alle proprie necessità.

Per ottenere i migliori risultati dal vostro impianto Fanatic Q, seguite tutte le istruzioni per l'installazione e la sicurezza e quelle delle sezioni relative ai componenti utilizzati.

Vi preghiamo di visitare il nostro sito internet per le più recenti informazioni su tutti i prodotti Rockford.

www.rockfordfosgate.com

CONSIDERAZIONI SULL'INSTALLAZIONE

Segue un elenco degli utensili necessari per eseguire l'installazione:

Volt-ohmmetro	Tubo termorestringente da 1/8 di pollice di diametro
Cacciavite a croce no.2	Pinze spelafili
Chiave per morsetto batteria	Pinze raggrinzafili
Trapano e punte assortite	Pinze tagliafili

 **ATTENZIONE:** Se avete dei dubbi circa l'installazione, rivolgetevi ad un tecnico qualificato della Rockford Fosgate.

 **ATTENZIONE:** Prima dell'installazione, scollegate il terminale negativo (-) della batteria per evitare danni all'unità, pericoli d'incendio e/o potenziali lesioni personali.

Prima di iniziare qualsiasi operazione d'installazione, vi consigliamo di seguire queste semplici regole:

1. Assicuratevi di aver letto tutte le istruzioni con cura e di averle capite prima di effettuare qualsiasi tentativo d'installazione nei confronti dell'unità.
2. Per motivi di sicurezza, scollegate il cavo negativo dalla batteria prima di dare l'avvio all'installazione.
3. Per facilitare il montaggio, vi suggeriamo di far scorrere tutti i fili prima di montare la vostra unità nella sua ubicazione.
4. Usate connettori di alta qualità per garantire un'installazione che dà affidamento e per ridurre al minimo la perdita di segnali o di potenza.
5. State attenti prima di trapanare! Cercate di non trapanare e di non incidere i serbatoi della benzina; le condutture del carburante, dei freni, del sistema idraulico e a depressione; nonché i fili elettrici quando state lavorando su qualsiasi veicolo.
6. Non fate mai scorrere i fili sotto il veicolo. Avrete la protezione migliore facendo scorrere i fili all'interno del veicolo.
7. Evitate di far scorrere i fili sopra o attraverso delle estremità affilate. Usate guarnizioni di tenuta in gomma o in plastica per proteggere qualsiasi filo che passi attraverso del metallo, soprattutto il paraframma.
8. Collocate gli altoparlanti e i crossover lontano da sorgenti di energia elettrica diverse dall'amplificatore, quali ad esempio cavi di alimentazione, pompe elettroniche di alimentazione, computer per veicoli e altre possibili sorgenti di rumore.
9. Collocate gli altoparlanti e i crossover lontani da aree di temperatura o umidità estrema.

MONTAGGIO

Altoparlanti/Tweeter

1. Decidete dove montare gli altoparlanti. Assicuratevi che sia un'area abbastanza grande per poter montare l'altoparlante a livello e abbastanza profonda per poterlo collocare comodamente. Se lo montate all'interno di uno sportello, controllate tutte le funzioni (finestre, serrature, ecc.), una alla volta, per assicurarvi che non ci siano ostruzioni.
2. Al momento di installare gli altoparlanti sulla piattaforma posteriore del veicolo, controllate il funzionamento del portellone o del coperchio del bagagliaio. Verificate che le barre di torsione e altre parti mobili non siano ostacolate dagli altoparlanti.
3. Fate riferimento alla tabella delle specifiche per stabilire il diametro corretto del foro che dovrete praticare per il modello del vostro altoparlante.

Crossover

1. Verificate che sia disponibile un'area piatta larga a sufficienza per collocare i crossover
2. Per conseguire i migliori risultati, collocate i crossover accanto all'amplificatore, per ottenere una finitura esteticamente valida per l'installazione ed essere in grado di potenziare facilmente l'impianto (senza bisogno di collegare nuovi cavi) in un secondo tempo, passando a un Rockford Fosgate con due amplificatori.

Seguire le istruzioni di questa sezione per installare i tweeter o i sistem

Uno degli effetti più difficili da ottenere in un veicolo è un fronte sonoro adeguato, con una buona immagine stereo. Nessuna automobile offre un ambiente di ascolto ottimale, così che risulta molto difficile ottenere una buona distribuzione del suono. In genere si collocano gli altoparlanti nel punto in cui è più facile inserirli anziché nel punto in cui danno i migliori risultati. Il punto in cui collegherete gli altoparlanti ha un grande effetto sulla qualità del suono del vostro impianto stereo. È quindi essenziale prestare particolare attenzione alla loro collocazione. Di seguito vi offriamo numerosi, importanti suggerimenti.

- Collocate gli altoparlanti in modo che emettano il suono secondo un percorso diretto verso l'area di ascolto.
- Per ottenere la migliore integrazione possibile tra il midrange e il tweeter, collocate quest'ultimo a meno di 5 centimetri dal midrange (Figura 1).
- Se non è possibile collocare il tweeter a meno di 5 centimetri dal midrange, collocatelo a ad almeno 18 cm da esso. Mettendo il tweeter a una distanza dal midrange compresa tra 5 e 18 cm si può causare un'interferenza distruttiva (problemi nella risposta in frequenza) che influisce sulla capacità dell'altoparlante di riprodurre la gamma di frequenza intorno alla frequenza di incrocio (crossover) dell'impianto.
- Ogni qualvolta possibile, collocate il tweeter direttamente sopra o sotto il midrange, ottimizzando così l'immagine stereo (sorgente puntiforme) creata dagli altoparlanti (Figura 1).
- Il suono emesso da una sorgente puntiforme offre la migliore immagine stereo in quanto la separazione dei centri acustici tra il midrange e il tweeter corrisponde, per ciascun canale, alla distanza ottimale. In un ambiente chiuso come quello di un'automobile, l'allineamento dell'altoparlante orizzontale (Figura 2) può causare differenze notevoli di ampiezza e fase, le quali peggiorano non solo l'immagine stereo ma anche la risposta in frequenza, a causa delle differenze di distanza dei canali dal punto di ascolto (path length) tra il midrange e il tweeter. Collocando l'altoparlante in modo da ottenere una differenza di distanza dei canali minima, avrete la certezza di ottenere il miglior fronte sonoro e la migliore immagine stereo possibili dal vostro impianto audio.

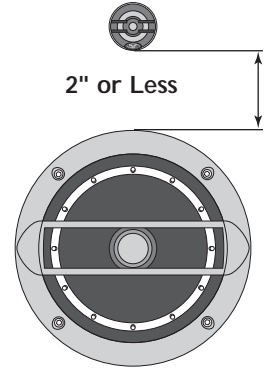


Figure 1

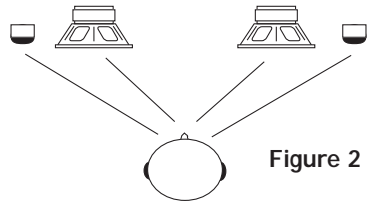
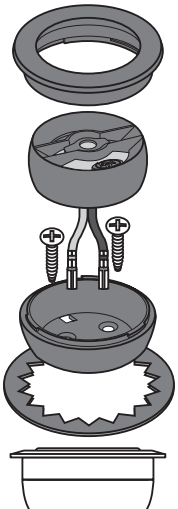


Figure 2

Montaggio a filo

Montaggio a superficie

Montaggio su supporto

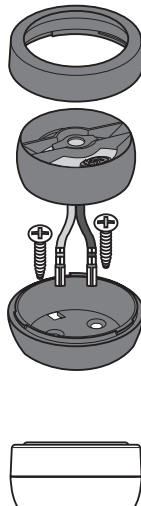


Alloggiamento Superiore

Tweeter

Alloggiamento Inferiore

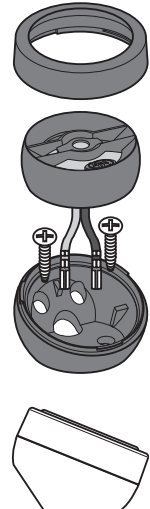
Clip

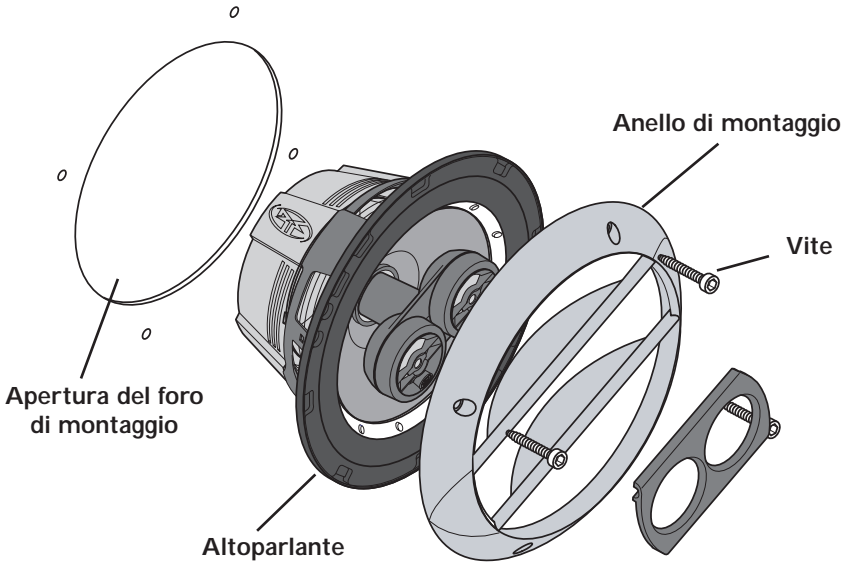


Alloggiamento Superiore

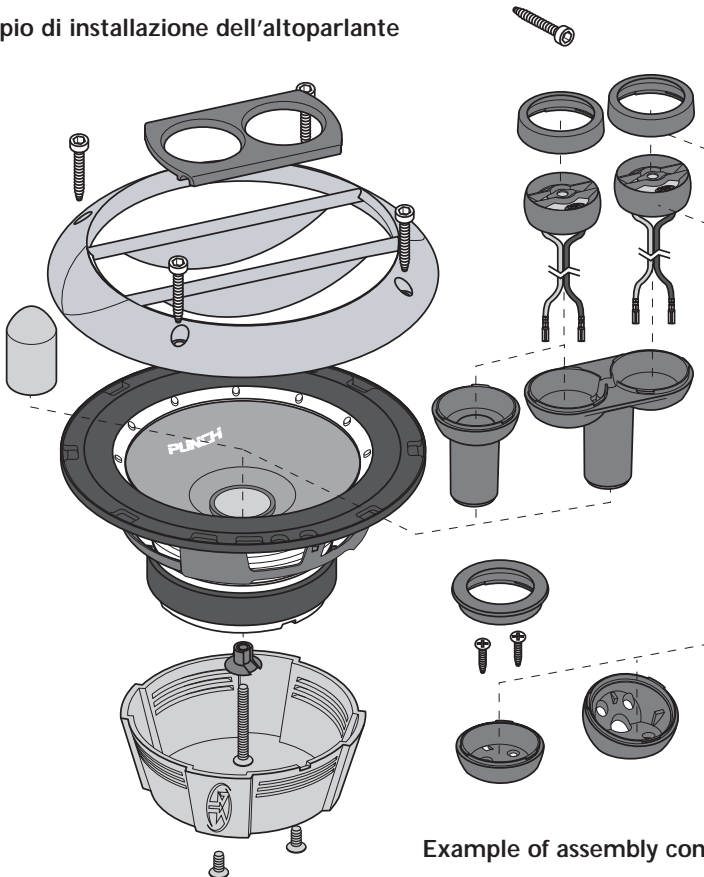
Tweeter

Alloggiamento Inferiore





Esempio di installazione dell'altoparlante



Example of assembly configurations

Sintomo	Diagnosi	Rimedio
<i>Nessun suono dagli altoparlanti.</i>	<p>Cavi collegati erroneamente.</p> <p>Uscita nulla dall'amplificatore.</p> <p>I cavi dell'altoparlante sono in cortocircuito tra di loro o con il telaio del veicolo.</p> <p>Gli altoparlanti sono guasti.</p>	<p>Controllate i cavi; riparateli o sostituiteli.</p> <p>Controllate con l'amplificatore in funzione; riparate o sostituite secondo necessità.</p> <p>Controllate i cavi con un volt-ohmmetro; riparate o sostituite secondo necessità.</p> <p>Controllate con l'altoparlante in funzione; riparate o sostituite secondo necessità.</p>
<i>Suono distorto dagli altoparlanti.</i>	Cablaggio errato tra il crossover e gli altoparlanti.	Controllate i cavi; riparateli o sostituiteli.
<i>I tweeter cessano di funzionare facilmente.</i>	<p>Potenza eccessiva dall'amplificatore.</p> <p>L'equalizzatore (se disponibile) presenta un'amplificazione eccessiva nella gamma delle alte frequenze.</p> <p>Cavi in cortocircuito con il telaio del veicolo.</p>	<p>Controllate il guadagno dell'amplificatore; regolate se necessario.</p> <p>Controllate le impostazioni dell'equalizzatore; regolate se necessario.</p> <p>Controllate i cavi con un volt-ohmmetro; riparateli o sostituiteli secondo necessità.</p>
<i>Rumore del motore emesso da uno o più altoparlanti.</i>	<p>I cavi dell'altoparlante sono disposti vicino a sorgenti di correnti elevate (cavi di alimentazione, computer per veicoli, ecc.).</p> <p>Il crossover è montato vicino a una sorgente di corrente elevata.</p>	<p>Spostate i cavi dell'altoparlante, allontanandoli dalle sorgenti di rumore.</p> <p>Spostate i crossover, allontanandoli dalle sorgenti di rumore.</p>

SPECIFICHE

Vi preghiamo di esaminare le specifiche alle pagine 8-10 della sezione inglese

Le specifiche sono soggette a modifiche senza preavviso.

La Rockford Corporation offre una garanzia limitata sui prodotti della Rockford Fosgate alle seguenti condizioni:

Lunghezza della garanzia

Unità di fonte, altoparlanti, elaboratori di segnali e amplificatori PUNCH — 1 anno
Amplificatori POWER — 2 anni **Amplificatori Type RF — 3 anni**
Prodotti rimessi a nuovo dalla fabbrica — 90 giorni (è necessaria la ricevuta)

Ciò che è coperto dalla garanzia

Questa garanzia è solamente applicabile ai prodotti della Rockford Fosgate venduti a clienti da parte di rivenditori autorizzati della Rockford Fosgate negli USA o nei suoi possedimenti. Prodotti acquistati da clienti presso un rivenditore autorizzato della Rockford Fosgate in paesi esteri saranno coperti solamente dal distributore di quel paese e non dalla Rockford Corporation.

Chi è coperto dalla garanzia

Questa garanzia copre solamente l'acquirente originale di un prodotto della Rockford che sia stato acquistato presso un rivenditore autorizzato della Rockford Fosgate negli USA. Per richiedere l'assistenza, l'acquirente deve fornire alla Rockford una copia della sua ricevuta, indicare il nome dell'acquirente, il nome del rivenditore, il prodotto acquistato e la data di acquisto.

I prodotti che risulteranno difettosi durante il periodo della garanzia saranno riparati oppure sostituiti (con un prodotto giudicato equivalente) alla piena discrezione della Rockford.

Ciò che non è coperto dalla garanzia

1. Danni causati da incidente, abuso, uso erraneo, acqua, furto, spedizione.
2. Qualsiasi costo o spesa relativa alla rimozione o alla reinstallazione del prodotto.
3. L'assistenza tecnica eseguita da chiunque non sia alle dipendenze della Rockford o di un centro di assistenza tecnica autorizzato della Rockford Fosgate
4. Qualsiasi prodotto su cui il numero di serie è stato deturpato, alterato o rimosso
5. Danni susseguenti ad altre componenti
6. Qualsiasi prodotto acquistato fuori dagli USA
7. Qualsiasi prodotto non acquistato presso un rivenditore autorizzato della Rockford Fosgate

Limite sulle garanzie tacite

Qualsiasi garanzia tacita, comprese le garanzie di idoneità all'uso ed alla commerciabilità, sono limitate nella loro durata al periodo coperto dalla garanzia esplicita spiegata di sopra. Alcuni stati non permettono limitazioni sulla lunghezza di una garanzia tacita. Pertanto, questa limitazione potrebbe non essere applicabile. È vietato assumere, a nome della Rockford Fosgate, qualsiasi altra responsabilità in relazione alla vendita del prodotto.

Come richiedere l'assistenza tecnica

Contattare il rivenditore autorizzato Rockford Fosgate dal quale si è acquistato il prodotto.

Per ulteriore aiuto, si può chiamare l'assistenza clienti Rockford al numero 1-800-669-9899. Dovrete ottenere un numero RA (numero di autorizzazione per la restituzione) per restituire qualsiasi prodotto alla Rockford Fosgate. Sarete responsabili della spedizione del prodotto alla Rockford.

Garanzia UE

Questo prodotto risponde ai requisiti della garanzia UE tuttora in vigore. Vi preghiamo di rivolgervi al vostro rivenditore autorizzato per ulteriori dettagli.

Spedire a: **Electronics**
Rockford Corporation
Warranty Repair Department
2055 E. 5th Street
Tempe, AZ 85281
RA#: _____

Spedire a: **Speakers**
Rockford Acoustic Design
Speaker Returns
2356 Turner Ave. NW
Grand Rapids, MI 49544
RA#: _____



Installation assistance available at:

RFTECH

www.rockfordfosgate.com/rftech



Rockford Fosgate
Rockford Corporation
546 South Rockford Drive
Tempe, Arizona 85281 U.S.A.
In U.S.A., (480) 967-3565
In Europe, Fax (49) 8503-934014
In Japan, Fax (81) 559-79-1265

www.rockfordfosgate.com

02/04 B.M.
1230-50708

Printed in U.S.A

Free Manuals Download Website

<http://myh66.com>

<http://usermanuals.us>

<http://www.somanuals.com>

<http://www.4manuals.cc>

<http://www.manual-lib.com>

<http://www.404manual.com>

<http://www.luxmanual.com>

<http://aubethermostatmanual.com>

Golf course search by state

<http://golfingnear.com>

Email search by domain

<http://emailbydomain.com>

Auto manuals search

<http://auto.somanuals.com>

TV manuals search

<http://tv.somanuals.com>