

# METIS

## Vacuum Tube Preamplifier



## Owner's Manual

Rogue Audio, Inc.  
3 Marian Lane  
Brodheadsville, PA 18322

Issue date: 02/19/05

## TABLE OF CONTENTS

1) Introduction	2
2) Unpacking the Metis preamplifier	2
3) Installing the Metis into your system	3
4) Operation of the preamplifier	4
5) Troubleshooting	5
6) Specifications	6
7) Product Registration and Warranty	7

## INTRODUCTION

Congratulations on your purchase decision! We at Rogue Audio truly believe that our preamplifiers provide the “smartest” value in high-end audio. If you have never owned a vacuum tube preamplifier you will be thrilled by the silky-smooth sound and incredible detail that only a tube preamplifier can provide. And with the Metis preamplifier, you can be sure that you are getting the very best in tube amplification. We at Rogue Audio are extremely proud of our products and want you to enjoy them to their fullest potential. So please, take the time to read through this short manual so that you can be confident that you have set up your preamplifier properly.

### UNPACKING THE METIS PREPREAMPLIFIER

**Tools required:** none

**WARNING - This preamplifier uses voltages that could cause injury or death. Never open the preamplifier while it is plugged in, and always wait at least one hour after turning the unit off to unplug and open the unit. *Lethal* voltages can remain in the electronics after the unit is unplugged.**

The METIS preamplifier has been painstakingly inspected for cosmetic flaws during and after assembly. In order not to damage the cosmetic appearance of your preamplifier it is important that you follow the unpacking instructions carefully.

1. Remove the small corrugated box containing the tubes, tube cage, and power cord.
2. Carefully lift the preamplifier out of the box, and remove the foam pads and plastic bag.
3. Insert the tubes into their sockets. See figure 1. Place the tube cage over the tubes and into the corresponding holes of the cover, if so desired.
4. Save the packing materials. The packing materials and box have been carefully designed to protect your valuable equipment during shipping so you don't want to throw them away.

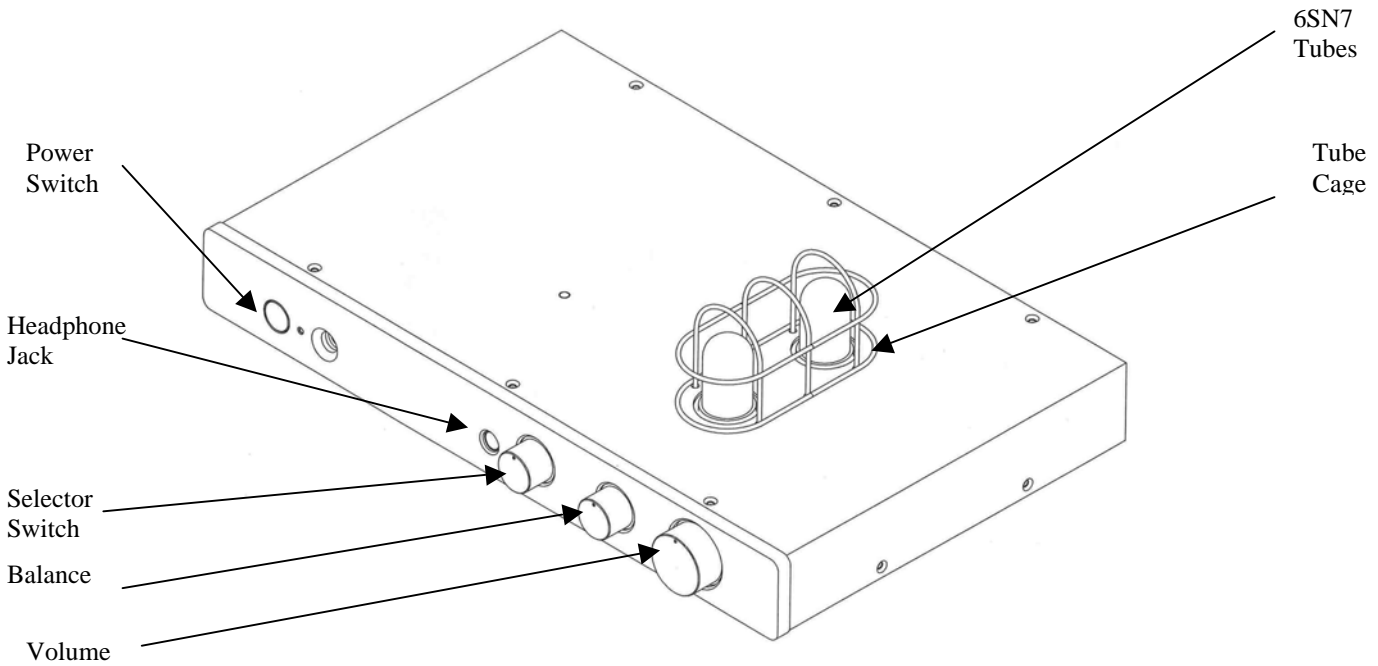


Figure 1 Metis Preamp

## INSTALLING THE METIS INTO YOUR SYSTEM

### Connecting Metis to other components:

Connections are made on the rear panel of the preamplifier and are shown in Figure 2. The input connections for source material are made via RCA jacks. There are three line level inputs including CD and two auxiliary inputs. There is also one input for a phonograph. A five-way lug is provided for grounding the turntable to the preamplifier.

The outputs are arranged to the right of the input jacks. The variable output is controlled by the volume control and should be connected to the power amplifier. The fixed output is not controlled by the volume control and is used for tape recording.

Be sure to use high quality interconnect cables as they do make a difference

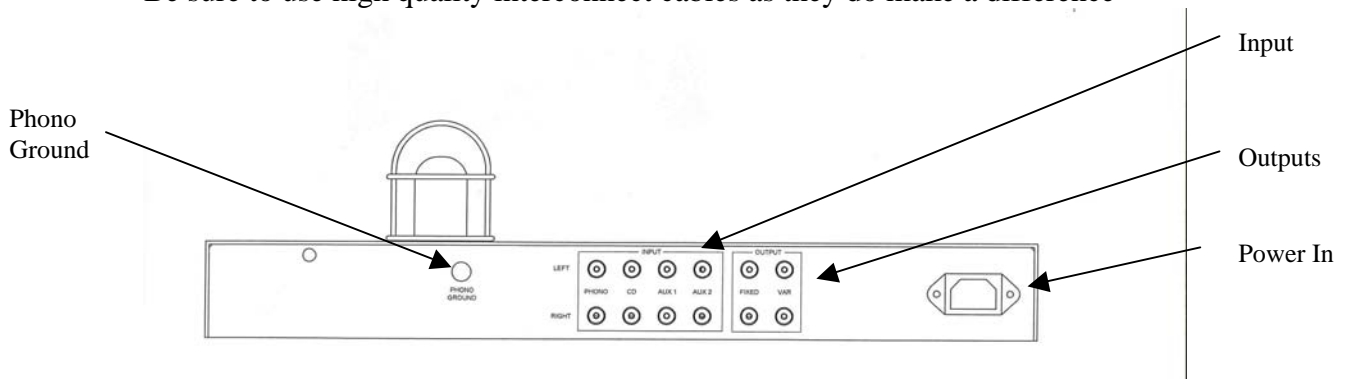


Figure 2 Metis Rear Panel

**Connecting METIS to headphones:**

The headphone jack is located on the front faceplate of the preamplifier, as shown in figure 1. The Metis headphone jack provides for a 1/4" or 6mm headphone connector. If you have headphones with a different size connector, you can use a suitable adapter. It is normal for a small amount of sound to come out of the loudspeakers when the headphones are plugged in. This can be eliminated by turning off the power amplifier.

**Connecting Metis to the power outlet:**

Connect the IEC end of the detachable power cord provided to the preamplifier, and plug the opposite end into corresponding outlet. It is recommended that both the Metis and your power amplifier are plugged into the same wall outlet if possible (perhaps using a power outlet strip). This is to avoid creating a ground loop.

**Connecting Metis to a turntable:**

The phono section provided in the Metis is suitable for a wide variety of cartridges. Best results will be obtained with moving magnet (mm) and high output moving coil (mc) cartridges. The cartridge loading is preset at 47K ohms with 150 pF of capacitance.

**Preamplifier Location:**

The Metis is an open tube design and depends on natural convection flow patterns for proper cooling. To ensure proper cooling, the unit should be located in a position so that the airflow is not impeded. In addition, the unit should have a minimum of 2 inches of free space above it.

**OPERATION OF THE PREAMPLIFIER****Powering up the System:**

- 1) After all proper connections have been made, you are now ready to turn the Metis preamplifier on. The power on/off switch is on the front of the amp. After approximately ten seconds, the high voltage supply will turn on. After an additional ten seconds, the outputs will disconnect from ground and the preamp is ready. After turning on the preamplifier, turn on the power amplifier and source material and you are ready for listening.

<b>NOTE – This unit will not play for approximately 20 seconds after power on while the tube warm up.</b>
---

**Switches and Controls:**

The Metis is equipped with the following controls:

- Volume – gain adjustment from 0-12 dB.
- Balance – full left and right channel attenuation.
- Source – selects source material (Phono, CD, Aux 1, or Aux 2)
- Power – on/off operation

**NOTE – Unlike many solid state preamplifiers, the Metis should be turned off when not in use. To prolong tube life, turn off the unit when not in use.**

### **Remote Volume Control:**

The Metis is equipped with an optional analog remote volume control. The volume may be adjusted manually using the knob on the front panel, or by using the optional remote control.

## **TROUBLESHOOTING**

### *Speaker hum*

– If hum can be heard from more than a few inches from the loudspeaker, there is probably a ground loop. Be sure to have the amp and preamp plugged into the same outlet if possible. If this fails to cure the hum, call customer service at Rogue Audio for further advice.

### *Unit does not turn on*

– Check that the power cord connection is secure.

### *Unit does not play*

- Ensure that the interconnects are connected to the proper input or output
- Ensure that the interconnects are connected securely

### *One channel does not play*

- Ensure that the balance pot is centered.
- Ensure that tubes are seated correctly and securely.

For further problems, please call Rogue Audio Technical Support at 570-992-9901.

## SPECIFICATIONS

frequency response	10Hz – 50 kHz $\pm$ 1dB
THD	< 0.1% typ, < 1% at rated power
Gain Stage	12 dB
Phono Gain	35 dB
Phono Loading	47K Ohms, 150pF capacitance
Rated Output	1 Volt RMS
Maximum Output	10 Volt
dimensions	18" W x 12.5" D x 4.5" H
weight	16 pounds (6.5 Kg)
shipping weight	22 lbs (9 Kg)
power requirements	115/230V - 50/60Hz

## OWNER AND WARRANTY REGISTRATION FORM

Included with this manual is an Owner and Warranty Registration Form. Please take a minute to fill out this card and return it to Rogue Audio. This card must be returned within 30 days of purchase to validate the warranty.

### LIMITED WARRANTY

#### Warranty Period

This product has been manufactured under the highest standards of quality and workmanship. Rogue Audio Inc. (hereinafter "Rogue Audio") warrants this product against defects in material or workmanship as follows:

With the exception of vacuum tubes, Rogue Audio warrants to the original purchaser of this product all parts of this product against defects in material and workmanship for a period of three years from the date of retail purchase. Rogue Audio warrants the vacuum tubes for a period of six months from the date of retail purchase. Any defective parts will be replaced free of charge, excluding shipping and handling.

Proof of purchase in the form of a bill of sale or recited invoice which indicates that the product is within the warranty period must be presented to obtain warranty service. Rogue Audio suggests that the purchaser retain the dealer's bill of sale as evidence of the date of retail purchase.

#### What's Not Covered

This warranty does not cover cosmetic damage or any damage that results from product misuse, product abuse, installation error, connection to an improper voltage supply, accident, improper maintenance, alterations, modifications not authorized in writing by Rogue Audio, lightening, power surges, or acts of God. Use of any other than Rogue Audio factory parts may void this warranty.

This warranty does not cover the cost of parts and labor which would be otherwise provided without charge under this warranty, obtained from any source other than Rogue Audio.

This warranty applies only to consumer use of this product and does not cover any product that is used in any trade or business, or in an industrial or commercial application.

This warranty applies only to the original purchaser of this product when purchased from an Authorized Rogue Audio dealer.

This warranty is valid only in the United States.

#### YOUR RIGHTS

ROGUE AUDIO LIMITS ITS OBLIGATIONS UNDER ANY IMPLIED WARRANTIES UNDER STATE LAWS TO A PERIOD NOT TO EXCEED THE WARRANTY PERIOD. SOME STATES DO NOT ALLOW LIMITATIONS ON HOW LONG AN IMPLIED WARRANTY LASTS, AND SOME STATES DO NOT ALLOW THE EXCLUSION OR LIMITATION OF INCIDENTAL OR CONSEQUENTIAL DAMAGES, SO THE ABOVE LIMITATIONS OR EXCLUSIONS MAY NOT APPLY TO YOU. THIS WARRANTY GIVES YOU SPECIFIC LEGAL RIGHTS, AND YOU MAY HAVE OTHER RIGHTS WHICH MAY VARY FROM STATE TO STATE.

#### To Obtain Service

To obtain service, you must contact Rogue Audio and obtain a return authorization number. The product must be delivered to Rogue Audio in its original packaging prepaid at the following address:

**Rogue Audio Inc.  
3 Marian Lane  
Brodheads ville, PA 18322**



## Free Manuals Download Website

<http://myh66.com>

<http://usermanuals.us>

<http://www.somanuals.com>

<http://www.4manuals.cc>

<http://www.manual-lib.com>

<http://www.404manual.com>

<http://www.luxmanual.com>

<http://aubethermostatmanual.com>

Golf course search by state

<http://golfingnear.com>

Email search by domain

<http://emailbydomain.com>

Auto manuals search

<http://auto.somanuals.com>

TV manuals search

<http://tv.somanuals.com>