

Perseus

Vacuum Tube Preamplifier

Owner's Manual

Rogue Audio, Inc.
3 Marian Lane
Brodheads ville, PA 18322

Issue date: 02/01/06

TABLE OF CONTENTS

1) Introduction_____	2
2) Unpacking the Perseus Preamplifier_____	2
3) Installing the Perseus into your system_____	3
4) Operation of the preamplifier_____	5
5) Troubleshooting _____	6
7) Registration card _____	7
8) Specifications_____	7
10) Product Registration and Warranty_____	8

INTRODUCTION

Congratulations on your purchase decision! We at Rogue Audio truly believe that our preamplifiers provide the “smartest” value in high-end audio. If you have never owned a vacuum tube preamplifier you will be thrilled by the silky-smooth sound and incredible detail that only a tube preamplifier can provide. And with the Perseus preamplifier, you can be sure that you are getting the very best in tube amplification. We at Rogue Audio are extremely proud of our products and want you to enjoy them to their fullest potential. So please, take the time to read through this short manual so that you can be confident that you have set up your preamplifier properly.

UNPACKING THE PERSEUS POWER PREAMPLIFIER

Tools required: none

WARNING - This preamplifier uses voltages that could cause injury or death. Never open the preamplifier while it is plugged in, and always wait at least one hour after turning the unit off to unplug and open the unit. *Lethal* voltages can remain in the electronics after the unit is unplugged.

The Perseus preamplifier has been painstakingly inspected for cosmetic flaws during and after assembly. In order not to damage the cosmetic appearance of your preamplifier it is important that you follow the unpacking instructions carefully.

1. Remove the small corrugated tube containing the power cord, and remote.
2. Carefully lift the preamplifier out of the box, and remove the foam pads and plastic bag.
3. The Perseus can be used either with or without the tube cage. To remove the tube cage, first unscrew 10 cover screws. Lift the cover off, and remove the 4 nuts holding the tube cage in place. Replace the cover prior to use.
4. Save the packing materials. The packing materials and box have been carefully designed to protect your valuable equipment during shipping so you don't want to throw them away.

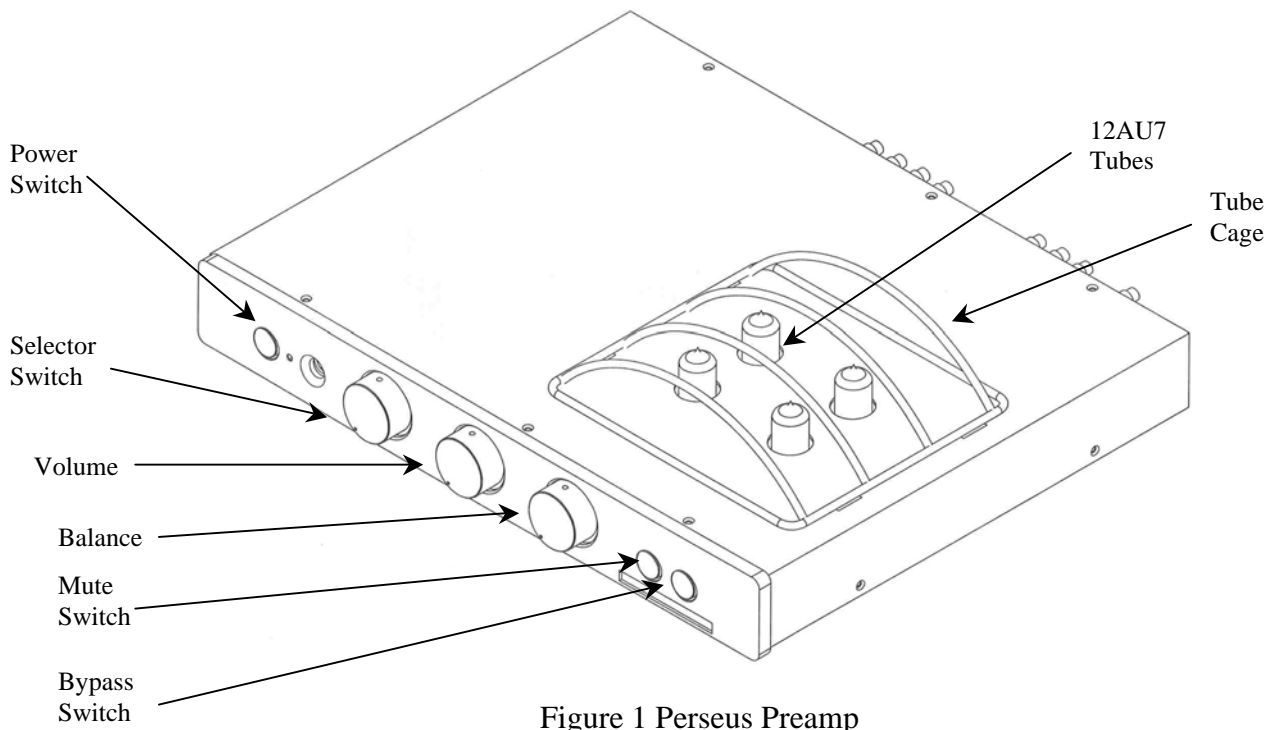


Figure 1 Perseus Preamp

INSTALLING THE PERSEUS INTO YOUR SYSTEM

Connecting the Perseus to two channel sources:

Connections are made on the rear panel of the preamplifier and are shown in Figure 2. The input connections for the channel source material are made via RCA Jacks. There are 3 line level inputs including CD, Tuner, and AUX. There is also one input for a phonograph. A five-way lug is provided for grounding the turntable to the preamplifier.

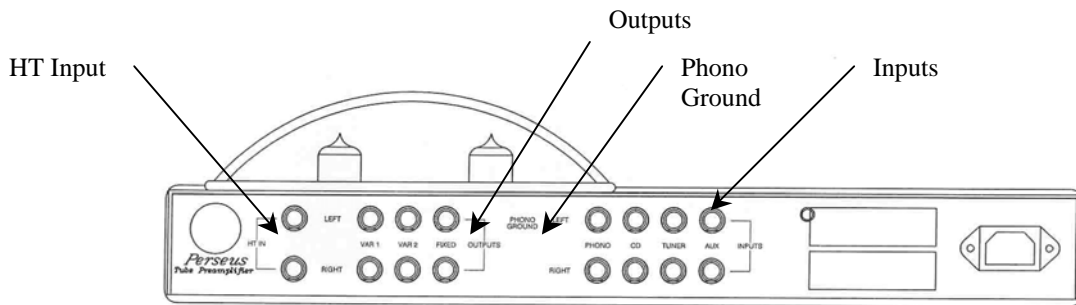


Figure 2 Perseus Rear Panel

Connecting the Perseus to multi channel sources:

The Home Theater input is to the far left of the unit. It is sometimes desirable to combine two channel music systems with multi channel home theater systems. In such cases it is common to share speakers and amps between systems. The Perseus would then be used with two channel sources such as CD Players, Turntables, and Tuners etc. A separate Processor or Multi Channel Preamp would be used with multi channel sources such as DVD movies. The Perseus HT IN input allows the Processor output to be routed directly to the power amps, effectively bypassing the Perseus, without having to unplug interconnects. The front two main channel outputs from the Processor would be connected to the Perseus HT IN input.

Connecting the Perseus to an amplifier:

The outputs are arranged to the left of the input jacks. The variable outputs are controlled by the volume control and should be connected to the power amplifier or sub-woofer. The fixed output is not controlled by the volume control and is used for tape recording.

Connecting the Perseus to power outlet:

Connect the IEC end of the detachable power cord to the preamplifier, and plug the opposite end into corresponding outlet. It is recommended that both the Perseus and your power amplifier are plugged into the same wall outlet if possible (perhaps using a power outlet strip). This is to avoid creating a ground loop.

Connecting the Perseus to a turntable:

Connect the output of the turntable, via RCA jacks, directly to the Perseus through the phono input. The phono section in the Perseus can be configured to amplify the vast majority of phono cartridges. Cartridge loading (resistance and capacitance) and gain are accessible with the cover removed. See figure 3 for switch locations. The Perseus contains hazardous voltages so be sure to unplug the unit prior to removing the cover.

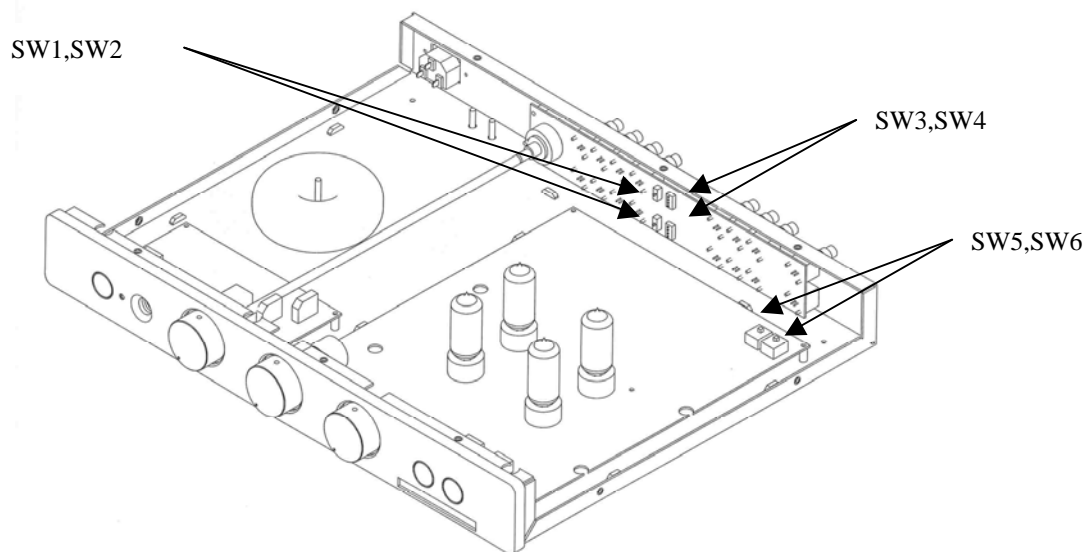


Figure 3 Perseus Internal Switch Location

Cartridge Loading can be changed using switches SW1, SW2, SW3, and SW4, as shown in Figure 3. The values are printed on the printed circuit board are listed in the table below

Switch	Parameter	A	B	C	D
SW1,SW2	Capacitance	(UP) 150 pF	(Down) 0 pF	NA	NA
SW3,SW4	Resistance	100 ohm	300 ohm	1000 ohm	47K ohm

The gain of the phono section can be changed using SW5 and SW6 as shown in Figure 3. The switch settings are printed on the printed circuit board. The two setting are mm (XXX dB) and mc (YYY).

Preamplifier Location:

The Perseus is an open tube design and depends on natural convection flow patterns for proper cooling. To ensure proper cooling, the unit should be located in a position so that the airflow is not impeded. In addition, the unit should have a minimum of 2 inches of free space above it.

OPERATION OF THE PREAMPLIFIER

Powering up the System:

After all proper connections have been made, you are now ready to turn the Perseus preamplifier on. The power on/off switch is on the front of the amp. After approximately ten seconds, the high voltage supply will turn on. After and additional ten seconds, the outputs will disconnect from ground and the preamp is ready. After turning on the preamplifier, turn on the power amplifier and source material and you are ready for listening.

NOTE - This unit will not play for approximately 20 seconds after power on while the tubes warm up.

Switches and Controls:

The Perseus is equipped with volume, balance, source, power, mute, bypass, and a remote volume.

- Volume – adjust gain from 0 to XXX dB
- Balance - full left and right channel attenuation
- Source – selects source material (PHONO, CD, TUNER, and AUX)
- Power – on/off operation
- Mute - leaves preamplifier on while muting output.
- Bypass – As explained in the Installation Section, the Bypass switch routes the HT IN input directly to the outputs, effectively bypassing the preamp.
- Remote Volume Control – The Perseus is equipped with an analog remote volume control feature. The volume may be adjusted manually using the knob on the front panel, or by using the remote control provided.

TROUBLESHOOTING

Speaker Hum

- If hum can be heard from more than a few inches from the loudspeaker, there is probably a ground loop. Be sure to have the amp and all sources plugged into the same outlet if possible. If this fails to cure the hum, call customer service at Rogue Audio for further advice.

Unit does not turn on

- Check that the power cord connection is secure

Unit does not play

- Ensure that the interconnects are connected to the proper input or output.
- Ensure that the interconnects are connected securely.

One channel does not play

- Ensure that the balance pot is centered.
- Ensure that the tubes are seated correctly and securely

For further problems, please call Rogue Audio Technical Support at 570-992-9901.

OWNER AND WARRANTY REGISTRATION FORM

Included with this manual is an Owner and Warranty Registration Form. Please take a minute to fill out this card and return it to Rogue Audio. This card must be returned within 30 days of purchase to validate the warranty.

SPECIFICATIONS

Frequency Response	10 Hz – 50 kHz 61 dB
THD	< 0.1% typ, < 1% at rated power
Gain Stage	XX dB
Phono Gain	YY dB
Rated Output	1 Volt RMS
Maximum Output	ZZ Volts
Dimensions	18 ¹ / ₈ ” x 14” x 2 ⁵ / ₈ ”
Weight	20 Lb
Shipping Weight	25 Lb
Power Requirements	115/230V – 50/60Hz

LIMITED WARRANTY

Warranty Period

This product has been manufactured under the highest standards of quality and workmanship. Rogue Audio Inc. (hereinafter "Rogue Audio") warrants this product against defects in material or workmanship as follows:

With the exception of vacuum tubes, Rogue Audio warrants to the original purchaser of this product all parts of this product against defects in material and workmanship for a period of three years from the date of retail purchase. Rogue Audio warrants the vacuum tubes for a period of six months from the date of retail purchase. Any defective parts will be replaced free of charge, excluding shipping and handling.

Proof of purchase in the form of a bill of sale or recited invoice which indicates that the product is within the warranty period must be presented to obtain warranty service. Rogue Audio suggests that the purchaser retain the dealer's bill of sale as evidence of the date of retail purchase.

What's Not Covered

This warranty does not cover cosmetic damage or any damage that results from product misuse, product abuse, installation error, connection to an improper voltage supply, accident, improper maintenance, alterations, modifications not authorized in writing by Rogue Audio, lightening, power surges, or acts of God. Use of any other than Rogue Audio factory parts may void this warranty.

This warranty does not cover the cost of parts and labor which would be otherwise provided without charge under this warranty, obtained from any source other than Rogue Audio.

This warranty applies only to consumer use of this product and does not cover any product that is used in any trade or business, or in an industrial or commercial application.

This warranty applies only to the original purchaser of this product when purchased from an Authorized Rogue Audio dealer.

This warranty is valid only in the United States.

YOUR RIGHTS

ROGUE AUDIO LIMITS ITS OBLIGATIONS UNDER ANY IMPLIED WARRANTIES UNDER STATE LAWS TO A PERIOD NOT TO EXCEED THE WARRANTY PERIOD. SOME STATES DO NOT ALLOW LIMITATIONS ON HOW LONG AN IMPLIED WARRANTY LASTS, AND SOME STATES DO NOT ALLOW THE EXCLUSION OR LIMITATION OF INCIDENTAL OR CONSEQUENTIAL DAMAGES, SO THE ABOVE LIMITATIONS OR EXCLUSIONS MAY NOT APPLY TO YOU. THIS WARRANTY GIVES YOU SPECIFIC LEGAL RIGHTS, AND YOU MAY HAVE OTHER RIGHTS WHICH MAY VARY FROM STATE TO STATE.

To Obtain Service

To obtain service, you must contact Rogue Audio and obtain a return authorization number. The product must be delivered to Rogue Audio in its original packaging prepaid at the following address:

**Rogue Audio Inc.
3 Marian Lane
Brodheads ville, PA 18322**

Free Manuals Download Website

<http://myh66.com>

<http://usermanuals.us>

<http://www.somanuals.com>

<http://www.4manuals.cc>

<http://www.manual-lib.com>

<http://www.404manual.com>

<http://www.luxmanual.com>

<http://aubethermostatmanual.com>

Golf course search by state

<http://golfingnear.com>

Email search by domain

<http://emailbydomain.com>

Auto manuals search

<http://auto.somanuals.com>

TV manuals search

<http://tv.somanuals.com>