

## LIMITED WARRANTY

This product is warranted to the original consumer purchaser to be free from defects in materials and workmanship under normal installation, use and service for a period of one (1) year from the date of purchase as shown on the purchaser's receipt.

The obligation of Rolls Corporation under this warranty shall be limited to repair or replacement (at our option), during the warranty period of any part which proves defective in material or workmanship under normal installation, use and service, provided the product is returned to Rolls Corporation, TRANSPORTATION CHARGES PRE-PAID. Products returned to us or to an authorized Service Center must be accompanied by a copy of the purchase receipt. In the absence of such purchase receipt, the warranty period shall be one (1) year from the date of manufacture.

This warranty shall be invalid if the product is damaged as a result of defacement, misuse, abuse, neglect, accident, destruction or alteration of the serial number, improper electrical voltages or currents, repair, alteration or maintenance by any person or party other than our own service facility or an authorized Service Center, or any use violative of instructions furnished by us.

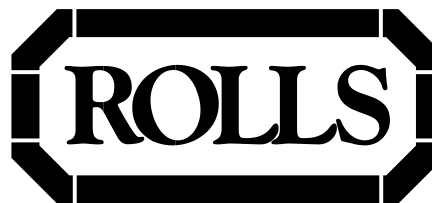
This one-year warranty is in lieu of all expressed warranties, obligations or liabilities. ANY IMPLIED WARRANTIES, OBLIGATIONS, OR LIABILITIES, INCLUDING BUT NOT LIMITED TO THE IMPLIED WARRANTIES OF MERCHANTABILITY AND FITNESS FOR A PARTICULAR PURPOSE, SHALL BE LIMITED IN DURATION TO THE ONE YEAR DURATION OF THIS WRITTEN LIMITED WARRANTY. Some states do not allow limitations on how long an implied warranty lasts, so the above limitation may not apply to you.

IN NO EVENT SHALL WE BE LIABLE FOR ANY SPECIAL, INCIDENTAL OR CONSEQUENTIAL DAMAGES FOR BREACH OF THIS OR ANY OTHER WARRANTY, EXPRESSED OR IMPLIED, WHATSOEVER. Some states do not allow the exclusion or limitation of special, incidental or consequential damages so the above limitation or exclusion may not apply to you. This warranty gives you specific legal rights, and you may also have other rights which vary from state to state.



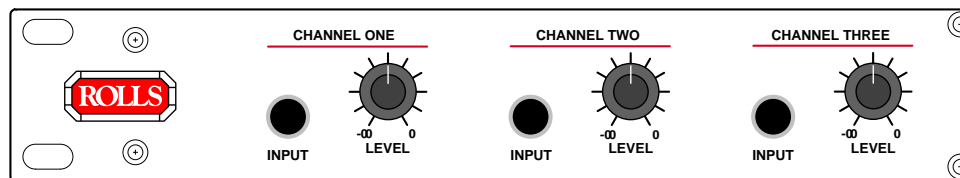
ROLLS CORPORATION  
SALT LAKE CITY, UTAH

8/00



# RDB104

## Quad Active Direct Box



### SPECIFICATIONS

Input Impedance:	100 k $\Omega$
Output Impedance:	100 $\Omega$ balanced
Max. Output Level:	+22 dB (Pad out)
Gain:	- $\infty$ to 0 dB
Dimensions	1.75" X 6" X 19" (89mm X 162mm X 482mm)
Weight	6 lbs. (2.72 Kg)
Power	120VAC (230VAC) 15VA

OWNERS MANUAL

## INTRODUCTION

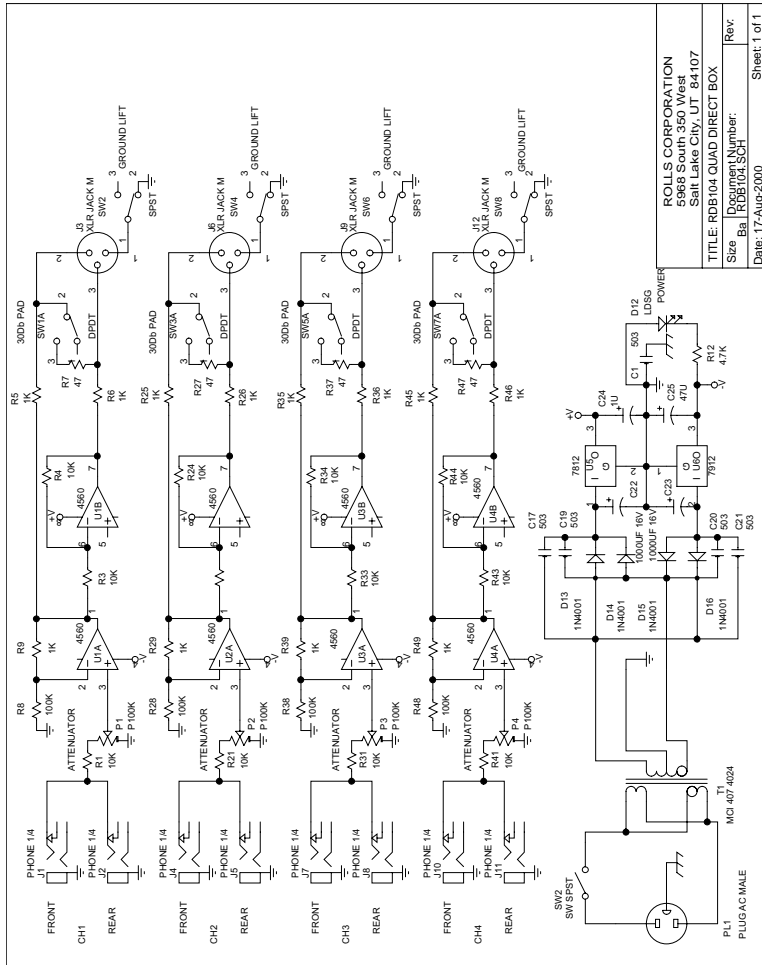
Thank you for your purchase of the ROLLS RDB104 Quad Active Direct Box. The RDB104 is an active impedance matching device with the added benefit of a variable level control. Its four channel design is ideal for a variety of applications including musicians, studios, and sound contractors. It is designed and manufactured carefully to provide years of long-lasting service. Please read the following manual carefully to ensure proper operation, and enjoy your new RDB104.

## INSPECTION

1. Unpack and inspect the RDB104 box and package.  
If obvious physical damage is noticed, contact the carrier immediately to make a damage claim. We suggest saving the shipping carton and packing materials for safely transporting the unit in the future.

2. Please complete the Warranty Registration Card and return it to the factory.

## SCHEMATIC



Download from [www.Somanuals.com](http://www.Somanuals.com). All Manuals Search And Download.

## DESCRIPTION

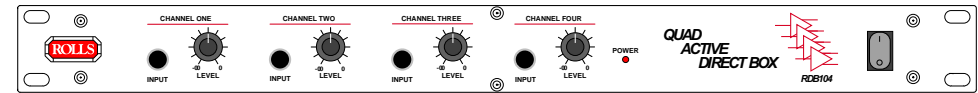
### FRONT PANEL

**NOTE: CHANNEL ONE THROUGH FOUR DESCRIPTIONS ARE IDENTICAL.**  
INPUT: 1/4" unbalanced jack for connection to an unbalanced, usually line-level, signal.

LEVEL: Varies the amount of input signal from -infinity (off) to 0 dB.

POWER LED: Indicates the RDB104 is connected to an AC outlet and power is applied.

POWER SWITCH: Applies power to the RDB104 when connected to an AC outlet.



### REAR PANEL

**NOTE: CHANNEL ONE THROUGH FOUR DESCRIPTIONS ARE IDENTICAL.**

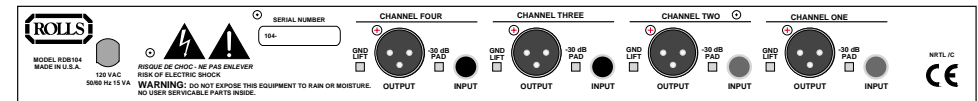
GND LIFT: Separates pin one of the XLR connector from the circuit ground.

OUTPUT: Balanced XLR jack containing the output signal. Pin 2 is "hot".

30 dB PAD: Pressing this switch in lowers or "pads" the output signal by 30 dB.

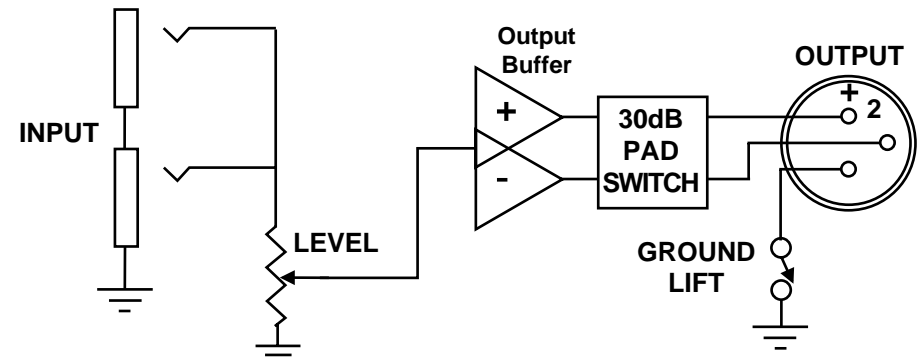
this provides a way to connect the output of the RDB104 to a mic input on a mixer.

INPUT: 1/4" unbalanced jack (parallels the front-panel Input jack.)



### BLOCK DIAGRAM

The diagram shown below represents one channel of the RDB104. All channels are identical.



## Free Manuals Download Website

<http://myh66.com>

<http://usermanuals.us>

<http://www.somanuals.com>

<http://www.4manuals.cc>

<http://www.manual-lib.com>

<http://www.404manual.com>

<http://www.luxmanual.com>

<http://aubethermostatmanual.com>

Golf course search by state

<http://golfingnear.com>

Email search by domain

<http://emailbydomain.com>

Auto manuals search

<http://auto.somanuals.com>

TV manuals search

<http://tv.somanuals.com>