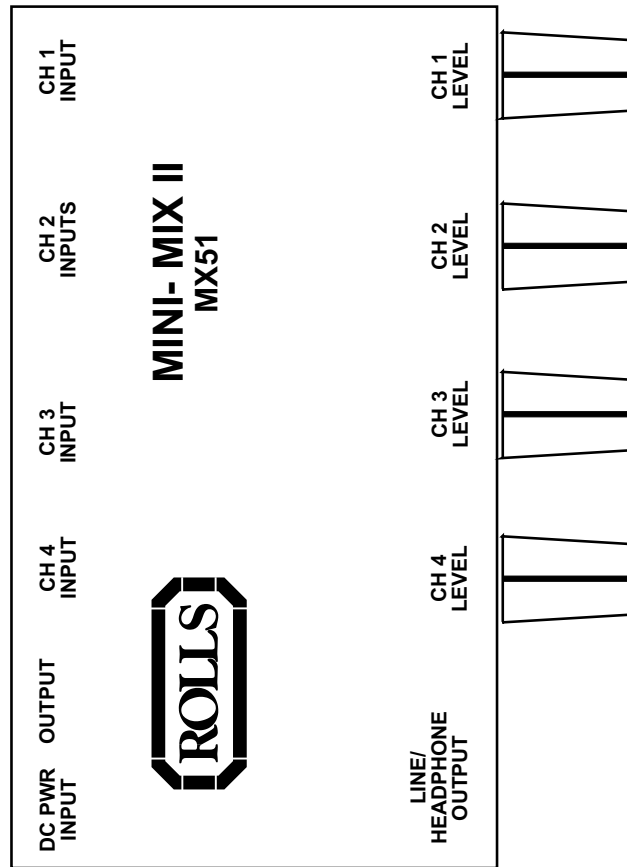




MX51 MINI-MIX II 4 Channel Mixer



Owners Manual

LIMITED WARRANTY

This product is warranted to the original consumer purchaser to be free from defects in materials and workmanship under normal installation, use and service for a period of one (1) year from the date of purchase as shown on the purchaser's receipt.

The obligation of Rolls Corporation under this warranty shall be limited to repair or replacement (at our option), during the warranty period of any part which proves defective in material or workmanship under normal installation, use and service, provided the product is returned to Rolls Corporation, TRANSPORTATION CHARGES PREPAID. Products returned to us or to an authorized Service Center must be accompanied by a copy of the purchase receipt. In the absence of such purchase receipt, the warranty period shall be one (1) year from the date of manufacture.

This warranty shall be invalid if the product is damaged as a result of defacement, misuse, abuse, neglect, accident, destruction or alteration of the serial number, improper electrical voltages or currents, repair, alteration or maintenance by any person or party other than our own service facility or an authorized Service Center, or any use violative of instructions furnished by us.

This one-year warranty is in lieu of all expressed warranties, obligations or liabilities. ANY IMPLIED WARRANTIES, OBLIGATIONS, OR LIABILITIES, INCLUDING BUT NOT LIMITED TO THE IMPLIED WARRANTIES OF MERCHANTABILITY AND FITNESS FOR A PARTICULAR PURPOSE, SHALL BE LIMITED IN DURATION TO THE ONE YEAR DURATION OF THIS WRITTEN LIMITED WARRANTY. Some states do not allow limitations on how long an implied warranty lasts, so the above limitation may not apply to you.

IN NO EVENT SHALL WE BE LIABLE FOR ANY SPECIAL, INCIDENTAL OR CONSEQUENTIAL DAMAGES FOR BREACH OF THIS OR ANY OTHER WARRANTY, EXPRESSED OR IMPLIED, WHATSOEVER. Some states do not allow the exclusion or limitation of special, incidental or consequential damages so the above limitation or exclusion may not apply to you. This warranty gives you specific legal rights, and you may also have other rights which vary from state to state.

MX51 MINI MIX 2

- For mixing up to two 1/4" inputs with up to three RCA input signals
- Four channels total
- Line / Headphone output level
- AC adapter included

The MX51 Mini Mix 2 is small four-channel mixer with individual volume controls, and a headphone / line output. The unit has two 1/4" inputs and 3 sets of stereo RCA inputs that are mixed to mono. It has enough gain and output level to connect to a power amplifier, has two RCA and one 1/4" output. The MX51 is powered by an included 12 VDC adapter.



Rolls Corporation
Salt Lake City, UT
9/95

INTRODUCTION

Thank you for your purchase of the MX51 Mini-Mix II. The MX51 is a four channel mixer designed for Audio Visual and Aerobics applications. Channels 1 and 2 have 1/4" inputs, Channels 3 and 4 have dual RCA jacks mixed to mono. Channel 2 has both RCA and 1/4" inputs. The unit also features a headphone output that will drive up to 600 Ω headphones with full frequency response. The MX51 is intended for professional applications and has an FR4 glass epoxy circuit board and vinyl laminated steel chassis. All inputs are mono - although the RCA inputs appear to be stereo, the signals are mixed to mono in order to have all signals present for A/V or aerobics applications where stereo amplification is not desirable.

DESCRIPTION

DC PWR: For connection to the power supply.

OUT: Stereo RCA jacks (mono signal) for connection to a mixer or amplification device.

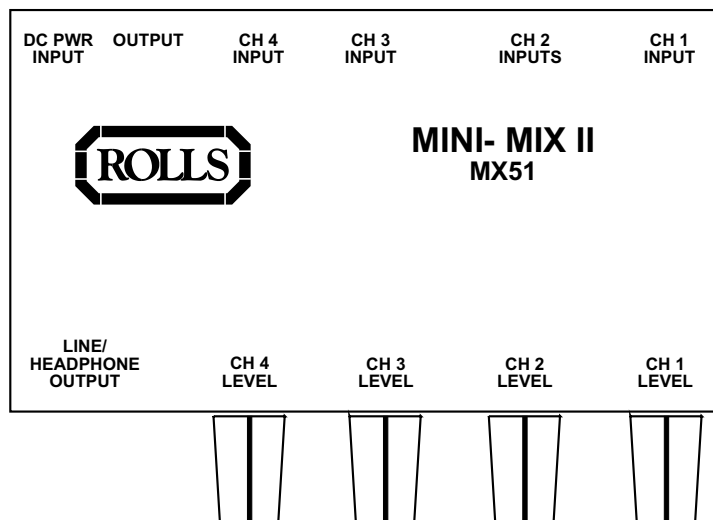
CH 4 and CH 3 INPUT: Stereo RCA jacks for connection to a signal source such as a CD player, cassette deck, tuner, etc.

CH 2 INPUTS: Stereo RCA and one 1/4" jacks (paralleled) for connection to a signal source such as that mentioned for Channels 3 and 4, or to a source such as a wireless microphone or instrument.

CH 1 INPUT: 1/4" unbalanced jack for connection to a source such as a wireless microphone or instrument.

LINE/HEADPHONE OUTPUT: 1/4" Stereo jack for connection to a mixer, amplifier or stereo headphones.

CH 1 - 4 LEVEL: Adjusts the volume level of each channel.

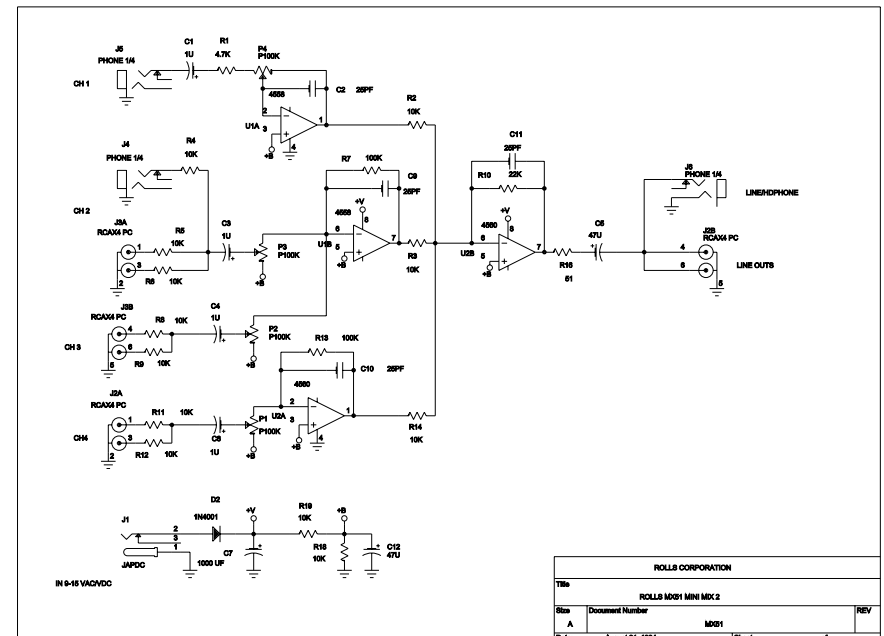


OPERATION

To operate the MX51, properly connect cords from the sources to be mixed (wireless mics, cassette decks, CD players etc.) into the channel inputs. Connect the outputs to an amplification device or sound system. Adjust the channel level controls for the desired volume. For private listening, plug stereo headphones into the LINE/HEADPHONE OUTPUT on the MX51 front.

SPECIFICATIONS

Input Impedance: 10K Ω unbalanced each jack
 CH 1 Gain: 32 dB 1/4" jack (highest gain)
 Ch2 Gain: 26 dB 1/4" and each RCA
 Ch 3 and 4 Gain: 26 dB each RCA
 Output: 1/4" stereo and stereo RCA
 S/N Ratio: >90 dB
 THD: <.008%
 IMD(SMPTE): <.008%
 Power: 12 VDC adapter
 Weight: 1 lbs. (.45 Kg)
 Size: 3" x 5" x 1.25" (8 x 13 x 3.2 cm)



Free Manuals Download Website

<http://myh66.com>

<http://usermanuals.us>

<http://www.somanuals.com>

<http://www.4manuals.cc>

<http://www.manual-lib.com>

<http://www.404manual.com>

<http://www.luxmanual.com>

<http://aubethermostatmanual.com>

Golf course search by state

<http://golfingnear.com>

Email search by domain

<http://emailbydomain.com>

Auto manuals search

<http://auto.somanuals.com>

TV manuals search

<http://tv.somanuals.com>