

LIMITED WARRANTY

This product is warranted to the original consumer purchaser to be free from defects in materials and workmanship under normal installation, use and service for a period of one (1) year from the date of purchase as shown on the purchaser's receipt.

The obligation of Rolls Corporation under this warranty shall be limited to repair or replacement (at our option), during the warranty period of any part which proves defective in material or workmanship under normal installation, use and service, provided the product is returned to Rolls Corporation, TRANSPORTATION CHARGES PREPAID. Products returned to us or to an authorized Service Center must be accompanied by a copy of the purchase receipt. In the absence of such purchase receipt, the warranty period shall be one (1) year from the date of manufacture.

This warranty shall be invalid if the product is damaged as a result of defacement, misuse, abuse, neglect, accident, destruction or alteration of the serial number, improper electrical voltages or currents, repair, alteration or maintenance by any person or party other than our own service facility or an authorized Service Center, or any use violative of instructions furnished by us.

This one-year warranty is in lieu of all expressed warranties, obligations or liabilities. ANY IMPLIED WARRANTIES, OBLIGATIONS, OR LIABILITIES, INCLUDING BUT NOT LIMITED TO THE IMPLIED WARRANTIES OF MERCHANTABILITY AND FITNESS FOR A PARTICULAR PURPOSE, SHALL BE LIMITED IN DURATION TO THE ONE YEAR DURATION OF THIS WRITTEN LIMITED WARRANTY. Some states do not allow limitations on how long an implied warranty lasts, so the above limitation may not apply to you.

IN NO EVENT SHALL WE BE LIABLE FOR ANY SPECIAL, INCIDENTAL OR CONSEQUENTIAL DAMAGES FOR BREACH OF THIS OR ANY OTHER WARRANTY, EXPRESSED OR IMPLIED, WHATSOEVER. Some states do not allow the exclusion or limitation of special, incidental or consequential damages so the above limitation or exclusion may not apply to you. This warranty gives you specific legal rights, and you may also have other rights which vary from state to state.

MX41s Mixer

- 4 Stereo 1/4" Inputs
- 1 Stereo 1/4" Output
- 100K Ohm Potentiometers

The MX41 is a stereo four channel passive mixer for expanding a console mixer, mixing instruments, cd players, cassette players, computers etc. It requires no batteries or other power source. The unit may also be used as a 1 In 4 Out stereo splitter box when all controls are turned clockwise.

MX41s Stereo Mixer



CE
ROLLS

Salt Lake City, Utah

ROLLS

MX41s 4 CHANNEL STEREO MIXER



Owners Manual

INTRODUCTION

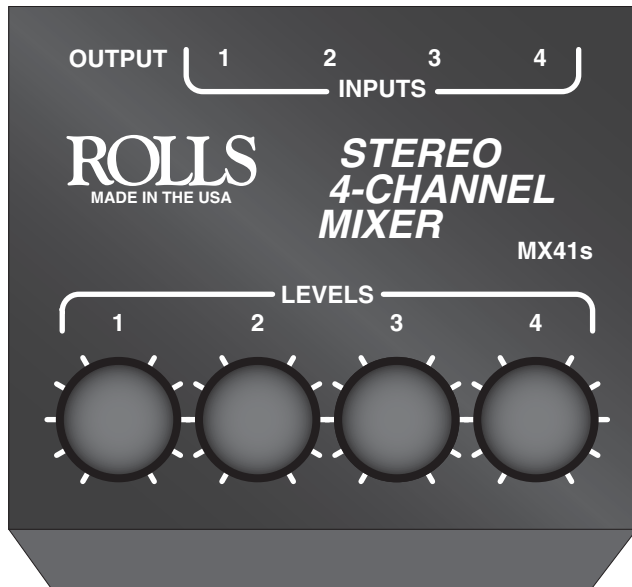
Congratulations and thank you for your purchase of the MX41s. This unit is a stereo, four channel passive mixer for expanding a console mixer, mixing instruments, cd or cassette players, or other signal sources. It requires no batteries or other power source. The unit may also be used as a stereo 1-in 4-out box when all controls are turned completely clockwise.

DESCRIPTION

OUTPUT: 1/4" Tip-Ring-Sleeve jack for connection to a mixer input or other input device.

IN 1 - 4: 1/4" Tip-Ring-Sleeve jacks for connection to line, instrument, or consumer level devices.

VOLUME 1 - 4: Control the level of the signals coming from Inputs 1 - 4.



PLEASE NOTE: The MX41s is to be operated with all mono inputs, or all stereo inputs only. Using combinations of stereo and mono will degrade the unit's performance.

SPECIFICATIONS

Input Impedance: 10K to 47K Ω

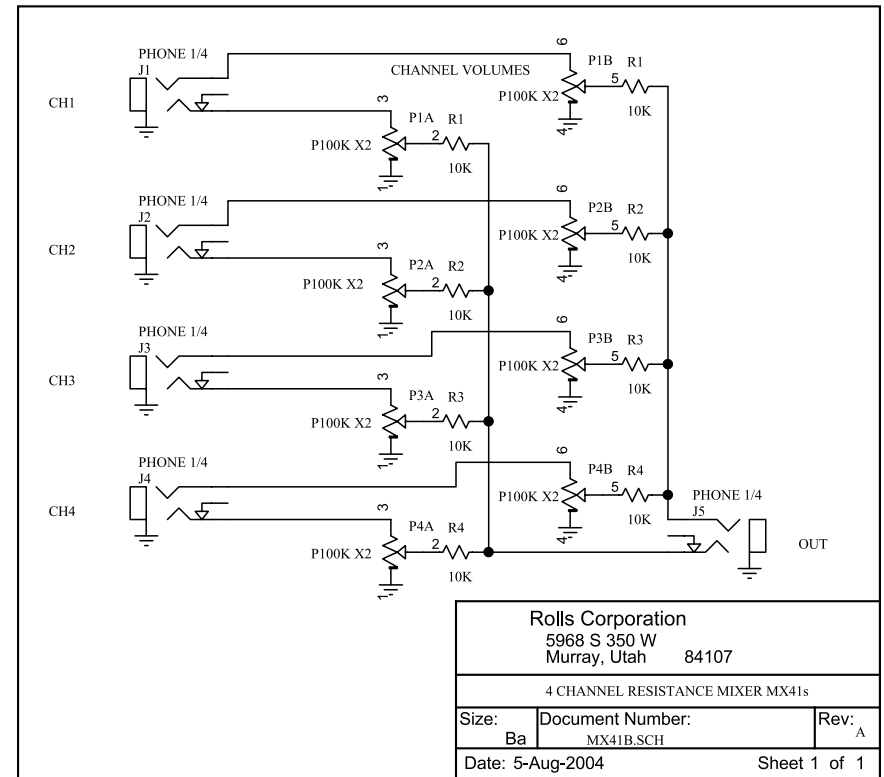
Output Impedance: 2.5K to 10K Ω

Gain: -12 dB MAX

Dimensions: 3.3" x 2.7" x 1.4" (w x h x d)

Weight: 1 lb.

SCHEMATIC



Free Manuals Download Website

<http://myh66.com>

<http://usermanuals.us>

<http://www.somanuals.com>

<http://www.4manuals.cc>

<http://www.manual-lib.com>

<http://www.404manual.com>

<http://www.luxmanual.com>

<http://aubethermostatmanual.com>

Golf course search by state

<http://golfingnear.com>

Email search by domain

<http://emailbydomain.com>

Auto manuals search

<http://auto.somanuals.com>

TV manuals search

<http://tv.somanuals.com>