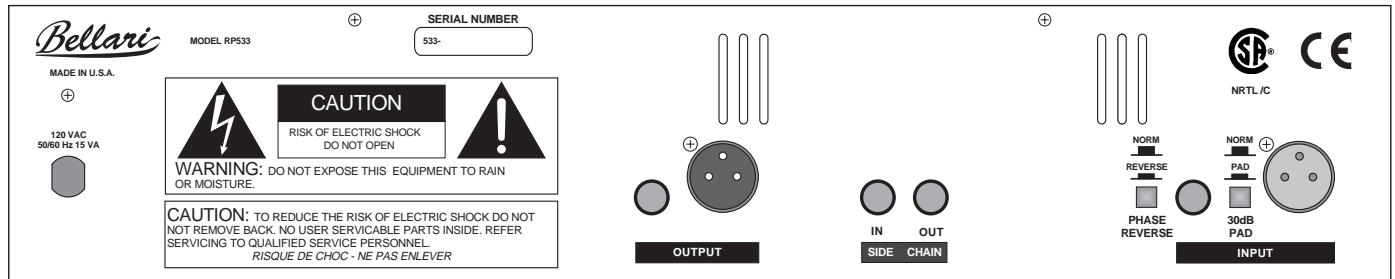
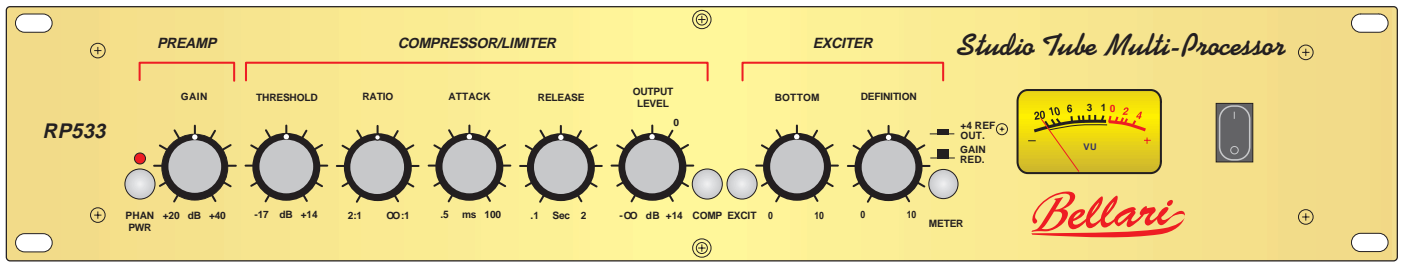


Bellari

RP533 Studio Tube Multi-Processor



The Bellari RP533 is a versatile studio tool for signal amplification, compression and spectral enhancement - all through the use of innovative tube circuitry. The unit features our highly acclaimed mic preamp circuits for pristine preamplification. The compressor/limiter section contains new, carefully designed dynamic gain reduction circuitry for subtle, natural compression. Finally, the sonic exciter section of the RP533 restores material clarity and adds distinction and character to the final signal. The meter can be switched in the circuit path to show the input level, output level, or compressor gain reduction.

FEATURES:

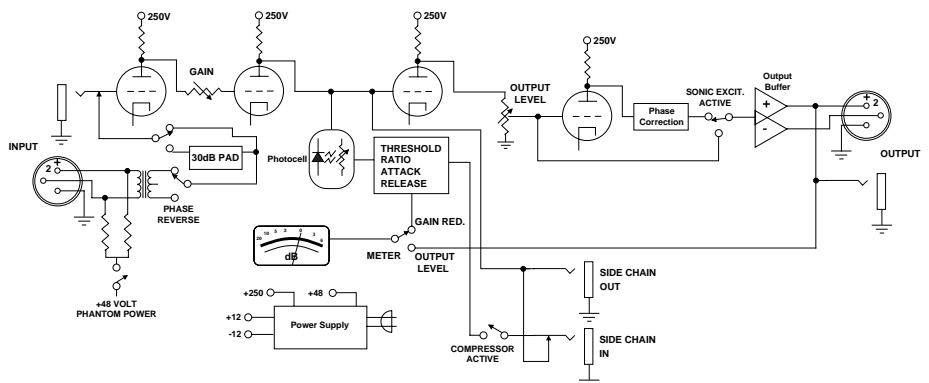
- Warm, silky tube preamplification
- Smooth, natural compression
- Sonic Exciter, frequency enhancement
- All tube gain circuitry with proper high-voltage plate voltages
- Transformer balanced input
- 1/4" and XLR inputs and outputs
- Calibrated metering - switchable in the circuit path
- +48 Volt Phantom Power
- Side Chain for direct access to the compressor's detector circuits

SPECIFICATIONS

Frequency Response	20Hz - 40kHz +/-3dB
Input Impedance	600 Ω balanced 1M Ω unbalanced
THD + Noise	<0.1% typical
Noise Floor	-90 dB
Indicators	Phantom Power LED Analog Meter
Input/Output jacks	XLR balanced 1/4" unbalanced 1/4" unbal. Side Chain
Dimensions	3" x 6" x 19" (180 X 162 X 482 mm)
Weight	7.5 lbs. (3.4 Kg)
Power	120VAC (230VAC) 15VA

Bellari

Bellari is a division of
ROLLS Corporation
5143 South Main Street
Salt Lake City, UT 84107



Free Manuals Download Website

<http://myh66.com>

<http://usermanuals.us>

<http://www.somanuals.com>

<http://www.4manuals.cc>

<http://www.manual-lib.com>

<http://www.404manual.com>

<http://www.luxmanual.com>

<http://aubethermostatmanual.com>

Golf course search by state

<http://golfingnear.com>

Email search by domain

<http://emailbydomain.com>

Auto manuals search

<http://auto.somanuals.com>

TV manuals search

<http://tv.somanuals.com>