

LIMITED WARRANTY

This product is warranted to the original consumer purchaser to be free from defects in materials and workmanship under normal installation, use and service for a period of one (1) year from the date of purchase as shown on the purchaser's receipt.

The obligation of Rolls Corporation under this warranty shall be limited to repair or replacement (at our option), during the warranty period of any part which proves defective in material or workmanship under normal installation, use and service, provided the product is returned to Rolls Corporation, TRANSPORTATION CHARGES PRE-PAID. Products returned to us or to an authorized Service Center must be accompanied by a copy of the purchase receipt. In the absence of such purchase receipt, the warranty period shall be one (1) year from the date of manufacture.

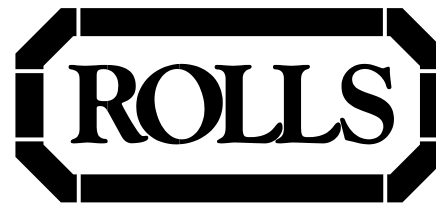
This warranty shall be invalid if the product is damaged as a result of defacement, misuse, abuse, neglect, accident, destruction or alteration of the serial number, improper electrical voltages or currents, repair, alteration or maintenance by any person or party other than our own service facility or an authorized Service Center, or any use violative of instructions furnished by us.

This one-year warranty is in lieu of all expressed warranties, obligations or liabilities. ANY IMPLIED WARRANTIES, OBLIGATIONS, OR LIABILITIES, INCLUDING BUT NOT LIMITED TO THE IMPLIED WARRANTIES OF MERCHANTABILITY AND FITNESS FOR A PARTICULAR PURPOSE, SHALL BE LIMITED IN DURATION TO THE ONE YEAR DURATION OF THIS WRITTEN LIMITED WARRANTY. Some states do not allow limitations on how long an implied warranty lasts, so the above limitation may not apply to you.

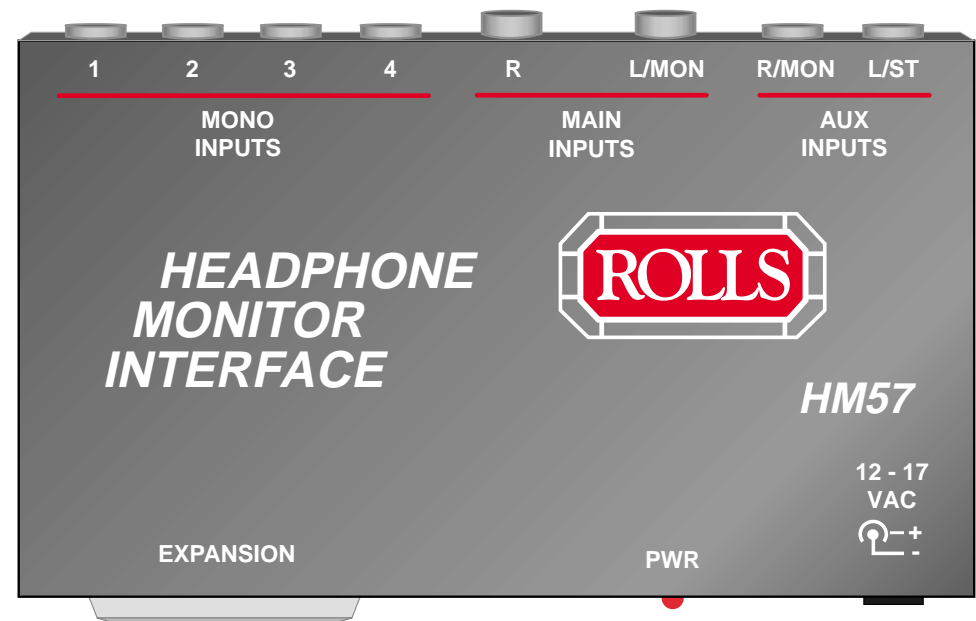
IN NO EVENT SHALL WE BE LIABLE FOR ANY SPECIAL, INCIDENTAL OR CONSEQUENTIAL DAMAGES FOR BREACH OF THIS OR ANY OTHER WARRANTY, EXPRESSED OR IMPLIED, WHATSOEVER. Some states do not allow the exclusion or limitation of special, incidental or consequential damages so the above limitation or exclusion may not apply to you. This warranty gives you specific legal rights, and you may also have other rights which vary from state to state.



ROLLS CORPORATION
SALT LAKE CITY, UTAH
3/00



HM57 Headphone Monitor Interface



NOTE: This unit connects to a Rolls HM59 or HM58 Headphone Monitor Remote for proper operation.

OWNERS MANUAL

Thank you for your purchase of the Rolls HM57 Headphone Monitor Interface. This unit connects four mono 1/4" input signals and two main stereo mix signals to either the HM58 or HM59 Headphone Monitor Remote. All signals are controlled from the Remote units.

INSPECTION

1. Unpack and inspect the HM57 box and package. If obvious physical damage is noticed, contact the carrier immediately to make a damage claim. We suggest saving the shipping carton and packing materials for safely transporting the unit in the future.

2. Please complete the Warranty Registration Card and return it to the factory.

SPECIFICATIONS

Connectors: 8: 1/4" jacks, DB25 connector, Pwr jack
 Power Requirement: 12 Volts AC
 Dimensions: 5.625"W x 3.275"H x 1.325"D
 Weight: 1 lb.

DESCRIPTION

BACK PANEL

MONO INPUTS: 4: 1/4" TRS balanced inputs for connection to a mixer auxiliary outputs or equivalent.

MAIN INPUTS: 2: 1/4" TRS balanced inputs for connection to a mixer right and left sub outputs or equivalent. The Left input is used for a mono source and will feed both sides.

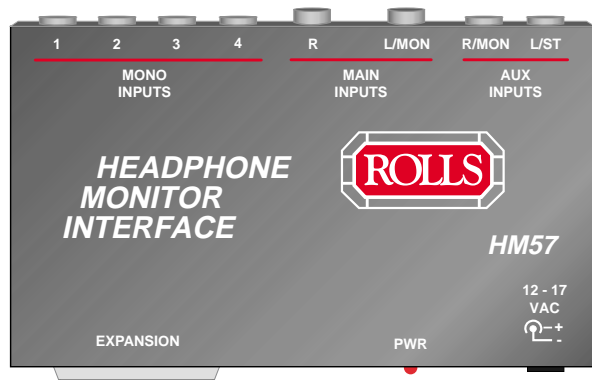
AUX INPUTS: 2 inputs to be used as stereo effects returns, or as a second pair of stereo inputs. The Right input is used for a mono source and will feed both sides. The Left input is a TRS jack that will accept a stereo input on the Tip and Ring.

FRONT PANEL

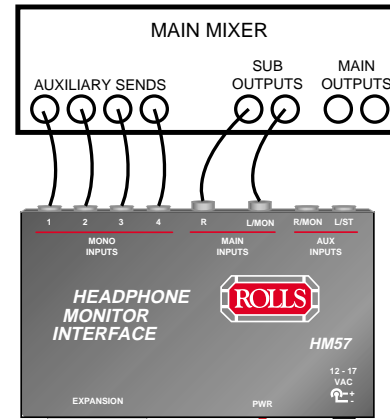
EXPANSION: 24 pin female OUTPUT jack.

PWR: LED indicating power is connected to the HM57.

12-17 VAC: Power jack - connect to the Rolls PS12.

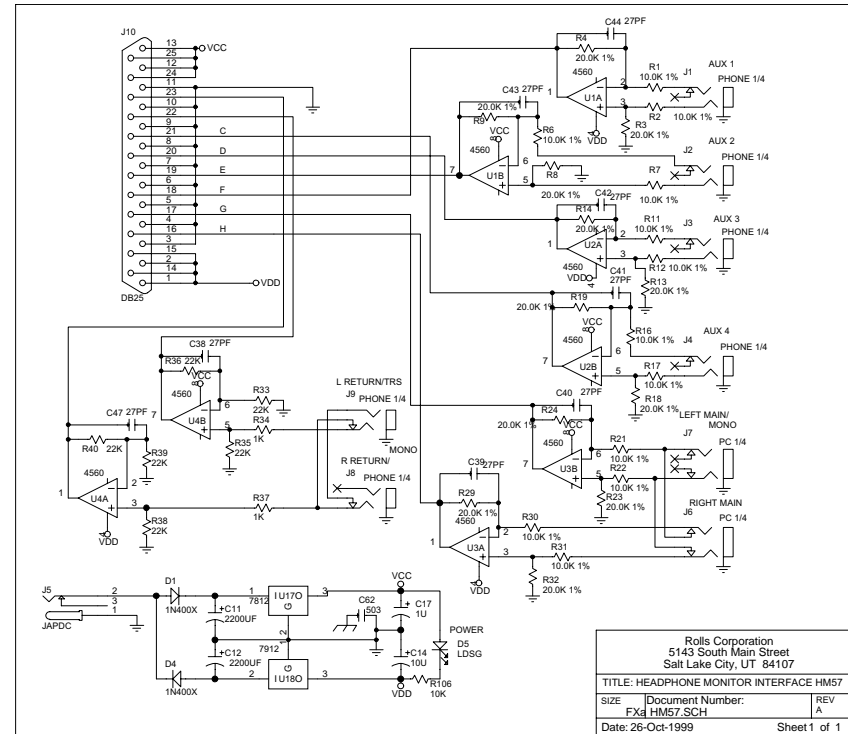


Connect the HM57 power supply (the PS12) to an AC outlet and the HM57. Connect the audio cables from the mixer to the unit as shown in the example below. Connect the DB25 cable from the HM57 Expansion jack to the input Expansion jack on the HM58 or HM59, whichever you are connecting your headphone to. Refer to the HM58 or HM59 Owners Manual for their proper operation.



To HM58 or HM59

SCHEMATIC



Rolls Corporation 5143 South Main Street Salt Lake City, UT 84107		
TITLE: HEADPHONE MONITOR INTERFACE HM57		
SIZE	Document Number:	REV
	FXd HM57.SCH	A
Date: 26-Oct-1999	Sheet 1 of 1	

Free Manuals Download Website

<http://myh66.com>

<http://usermanuals.us>

<http://www.somanuals.com>

<http://www.4manuals.cc>

<http://www.manual-lib.com>

<http://www.404manual.com>

<http://www.luxmanual.com>

<http://aubethermostatmanual.com>

Golf course search by state

<http://golfingnear.com>

Email search by domain

<http://emailbydomain.com>

Auto manuals search

<http://auto.somanuals.com>

TV manuals search

<http://tv.somanuals.com>