

ROLLS

PB224 MIC POWER IIb BATTERY POWERED Dual 48 Volt Phantom Power Supply



Owners Manual

LIMITED WARRANTY

This product is warranted to the original consumer purchaser to be free from defects in materials and workmanship under normal installation, use and service for a period of one (1) year from the date of purchase as shown on the purchaser's receipt.

The obligation of Rolls Corporation under this warranty shall be limited to repair or replacement (at our option), during the warranty period of any part which proves defective in material or workmanship under normal installation, use and service, provided the product is returned to Rolls Corporation, TRANSPORTATION CHARGES PREPAID. Products returned to us or to an authorized Service Center must be accompanied by a copy of the purchase receipt. In the absence of such purchase receipt, the warranty period shall be one (1) year from the date of manufacture.

This warranty shall be invalid if the product is damaged as a result of defacement, misuse, abuse, neglect, accident, destruction or alteration of the serial number, improper electrical voltages or currents, repair, alteration or maintenance by any person or party other than our own service facility or an authorized Service Center, or any use violative of instructions furnished by us.

This one-year warranty is in lieu of all expressed warranties, obligations or liabilities. ANY IMPLIED WARRANTIES, OBLIGATIONS, OR LIABILITIES, INCLUDING BUT NOT LIMITED TO THE IMPLIED WARRANTIES OF MERCHANTABILITY AND FITNESS FOR A PARTICULAR PURPOSE, SHALL BE LIMITED IN DURATION TO THE ONE YEAR DURATION OF THIS WRITTEN LIMITED WARRANTY. Some states do not allow limitations on how long an implied warranty lasts, so the above limitation may not apply to you.

IN NO EVENT SHALL WE BE LIABLE FOR ANY SPECIAL, INCIDENTAL OR CONSEQUENTIAL DAMAGES FOR BREACH OF THIS OR ANY OTHER WARRANTY, EXPRESSED OR IMPLIED, WHATSOEVER. Some states do not allow the exclusion or limitation of special, incidental or consequential damages so the above limitation or exclusion may not apply to you. This warranty gives you specific legal rights, and you may also have other rights which vary from state to state.

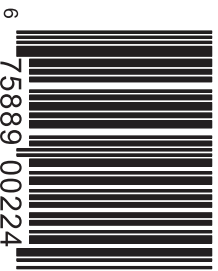
PB224 Mic Power II BATTERY POWERED

Dual 48 Volt Phantom Power Supply

- Power condenser microphones requiring phantom power
- Operates on two 9 Volt alkaline batteries, or the Rolls PS27 12VDC adapter
- High frequency switching power supply to eliminate noise

The PB224 is for powering two phantom powered microphones. The unit uses a 100kHz switching power supply to eliminate noise generated by common power supplies. The PB224 has pull-down resistors so it will work with any mixer.

PB224 Phantom Pwr Supply



ROLLS
Rolls Corporation
Salt Lake City, UT
10/05

INTRODUCTION

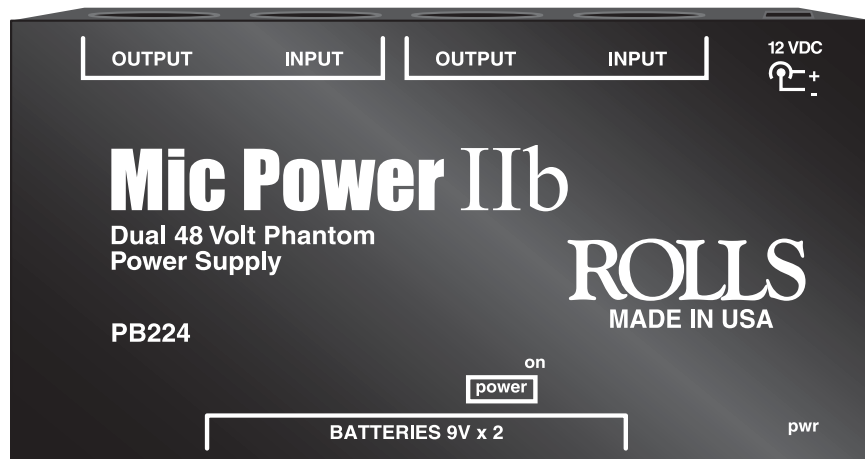
Thank you for purchasing the PB224 Mic Power IIb Dual 48 Volt Phantom Power Supply. This unit is designed and manufactured to provide 48 volts of clean dc power for two of your favorite condenser microphones on two 9 volt alkaline batteries, or the Rolls PS27 AC adapter.

Powered microphones provide much greater dynamic range, lower noise, and better sound quality.

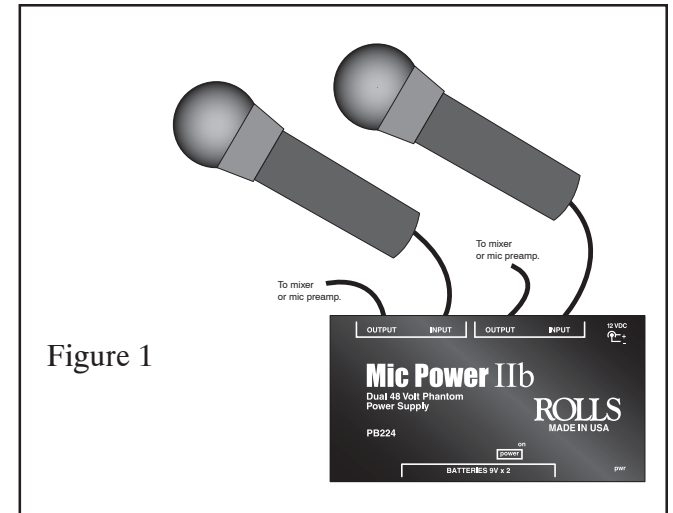
OPERATION

As shown in Figure 1, connect the two condenser microphones to three conductor XLR cables, and to each Input connector on the PB224. Connect the PB224 Outputs to a mixer or other audio input devices via other XLR cables.

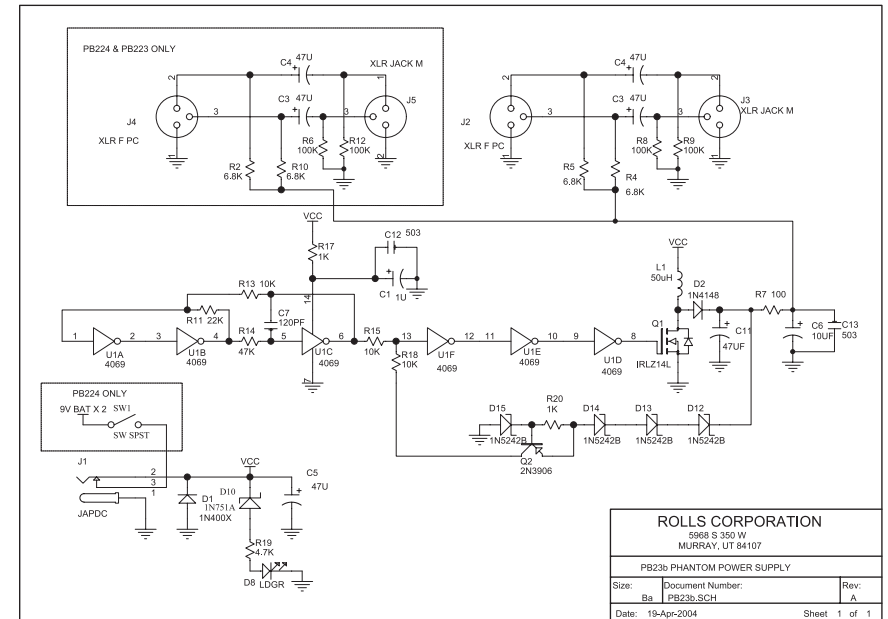
Make sure the PB224 has two fresh 9 Volt alkaline batteries installed, or the Rolls PS27 adapter is connected to an AC outlet and to the 12VDC input. Apply power to the unit by moving the **power** switch to the **on** position. The LED on the front of the unit will light. The PB224 provides no audio gain as it is not a microphone preamp.



CONNECTION



SCHEMATIC



SPECIFICATIONS

Phantom Voltage:	48V
Jacks:	2 ea: Male and Female XLR jacks, 5mm DC input jack
Power Input	2 ea: 9V Alkaline Batteries 12 - 18 VDC (Rolls PS27)
Size:	5.45" x 2.875" x 2.25"
Weight:	2 lb (.9 Kg)

Free Manuals Download Website

<http://myh66.com>

<http://usermanuals.us>

<http://www.somanuals.com>

<http://www.4manuals.cc>

<http://www.manual-lib.com>

<http://www.404manual.com>

<http://www.luxmanual.com>

<http://aubethermostatmanual.com>

Golf course search by state

<http://golfingnear.com>

Email search by domain

<http://emailbydomain.com>

Auto manuals search

<http://auto.somanuals.com>

TV manuals search

<http://tv.somanuals.com>