

PS16

POWER CENTER Personal Monitor Power Supply Signal Distribution



READ THIS MANUAL FOR IMPORTANT OPERATION INSTRUCTION. TIP-RING-SLEEVE PLUGS ARE REQUIRED FOR THE OUTPUTS OF THIS UNIT.

Owners Manual

LIMITED WARRANTY

This product is warranted to the original consumer purchaser to be free from defects in materials and workmanship under normal installation, use and service for a period of one (1) year from the date of purchase as shown on the purchaser's receipt.

The obligation of Rolls Corporation under this warranty shall be limited to repair or replacement (at our option), during the warranty period of any part which proves defective in material or workmanship under normal installation, use and service, provided the product is returned to Rolls Corporation, TRANSPORTATION CHARGES PREPAID. Products returned to us or to an authorized Service Center must be accompanied by a copy of the purchase receipt. In the absence of such purchase receipt, the warranty period shall be one (1) year from the date of manufacture.

This warranty shall be invalid if the product is damaged as a result of defacement, misuse, abuse, neglect, accident, destruction or alteration of the serial number, improper electrical voltages or currents, repair, alteration or maintenance by any person or party other than our own service facility or an authorized Service Center, or any use violative of instructions furnished by us.

This one-year warranty is in lieu of all expressed warranties, obligations or liabilities. ANY IMPLIED WARRANTIES, OBLIGATIONS, OR LIABILITIES, INCLUDING BUT NOT LIMITED TO THE IMPLIED WARRANTIES OF MERCHANTABILITY AND FITNESS FOR A PARTICULAR PURPOSE, SHALL BE LIMITED IN DURATION TO THE ONE YEAR DURATION OF THIS WRITTEN LIMITED WARRANTY. Some states do not allow limitations on how long an implied warranty lasts, so the above limitation may not apply to you.

IN NO EVENT SHALL WE BE LIABLE FOR ANY SPECIAL, INCIDENTAL OR CONSEQUENTIAL DAMAGES FOR BREACH OF THIS OR ANY OTHER WARRANTY, EXPRESSED OR IMPLIED, WHATSOEVER. Some states do not allow the exclusion or limitation of special, incidental or consequential damages so the above limitation or exclusion may not apply to you. This warranty gives you specific legal rights, and you may also have other rights which vary from state to state.

PS16 POWER CENTER

The PS16 supplies the DC power and distributes the Monitor signal to up to ten of the PM50s, the PM50sOB, and the PM350 units. This dramatically increases efficiency and eliminates the need for multiple wall-warts and adapter cables.

- Supplies power for up to ten PM50s, PM50sOB, and PM350 units.
- Directly supplies a monitor signal to the above listed units.
- Unbalanced 1/4" and TRANSFORMER-balanced XLR inputs.

PS16 PM Power Center



Rolls Corporation
Salt Lake City, UT
6/02

INTRODUCTION

Thank you for your purchase of the PS16 Personal Monitor Power Center. The PS16 supplies the DC power and distributes the Monitor signal to up to ten of the PM50s, the PM50sOB, and the PM350 units. This dramatically increases efficiency and eliminates the need for multiple wall-warts and adapter cables.

The power AND monitor signal are carried from each PS16 output using an ordinary 1/4" stereo cable to the Monitor input of the PM50s, sOB, and 350. Using stereo "Y" adapters, up to ten of the Personal Monitor Amplifiers may be daisy-chained.

NOTE: Older PM50s and PM50sOB units may need a slight modification in order to operate with the PS16. Any PM50s or PM50sOB WITHOUT a ground lift jumper and mono/stereo jumper will need this modification. Call the factory at (801) 263-9053 for details.

FEATURES

- Supplies power for up to ten PM50s, PM50sOB, and PM350 units.
- Directly supplies a monitor signal to four of the above units, indirectly (by using stereo "Y" adapters) will provide signal for up to ten units.
- Unbalanced 1/4" and TRANSFORMER-balanced XLR inputs.

DESCRIPTION

LINE INPUTS

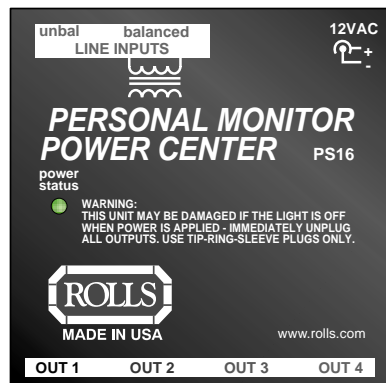
UNBALANCED: 1/4" Tip-Sleeve jack. Connects to a mixer's unbalanced Monitor or Auxiliary Send.

BALANCED: Transformer isolated female XLR jack. Connects to a mixer's balanced Monitor or Auxiliary Send.

12VAC: Connects to the included Rolls PS12 power adapter.

OUT 1 - 4: 1/4" Tip-Ring-Sleeve jacks.

The Tip of the connector contains the audio signal, the Ring has the 12 volts DC required to operate the Personal Monitor devices, and the Sleeve connects to ground.



CONNECTION / OPERATION

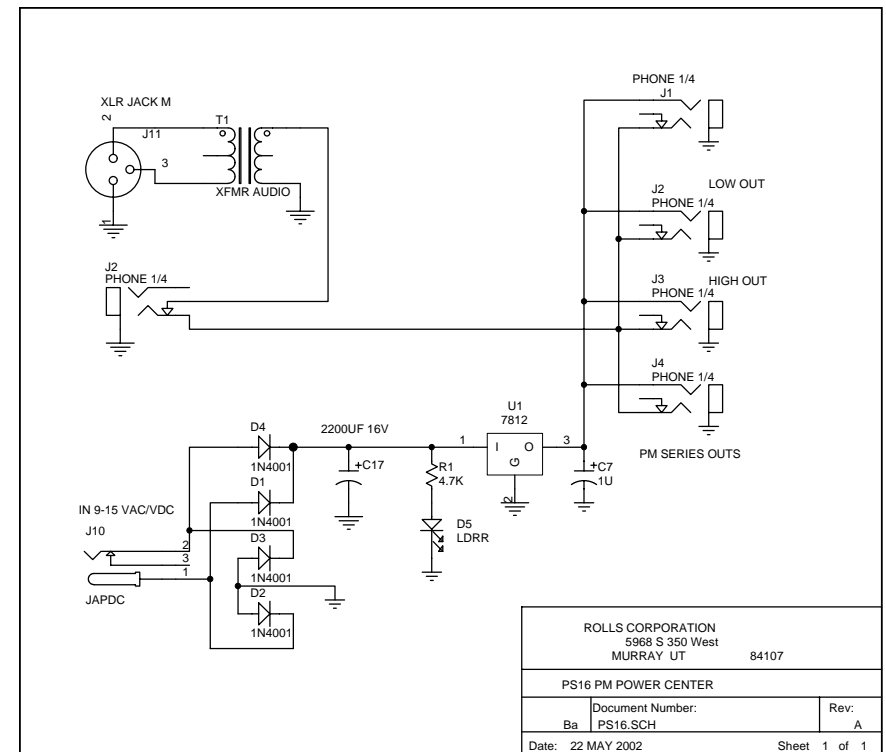
- Connect the Send of the mixer to the appropriate Input of the PS16 (balanced or unbalanced).
- Connect the PS12 adapter to the 12VAC input of the PS16. The Power/Status LED should light. If not, immediately unplug the power as this indicates a short from the Ring of an Output jack to ground.
- Connect the TIP-RING-SLEEVE STEREO cables from the PS16 Outputs to the PM series Monitor Inputs. Refer to the Personal Monitor unit owners manual for proper operation of that unit.

FOR APPLICATION DIAGRAMS, VISIT OUR WEBSITE AT WWW.ROLLS.COM.

SPECIFICATIONS

Input Power:	12 VAC, 700 mA
Output Power:	12 VDC on the Ring terminal of each OUT jack.
Size:	3.125" x 3.125" x 1.25"
Weight:	1 lb (.45 Kg)

SCHEMATIC



Free Manuals Download Website

<http://myh66.com>

<http://usermanuals.us>

<http://www.somanuals.com>

<http://www.4manuals.cc>

<http://www.manual-lib.com>

<http://www.404manual.com>

<http://www.luxmanual.com>

<http://aubethermostatmanual.com>

Golf course search by state

<http://golfingnear.com>

Email search by domain

<http://emailbydomain.com>

Auto manuals search

<http://auto.somanuals.com>

TV manuals search

<http://tv.somanuals.com>