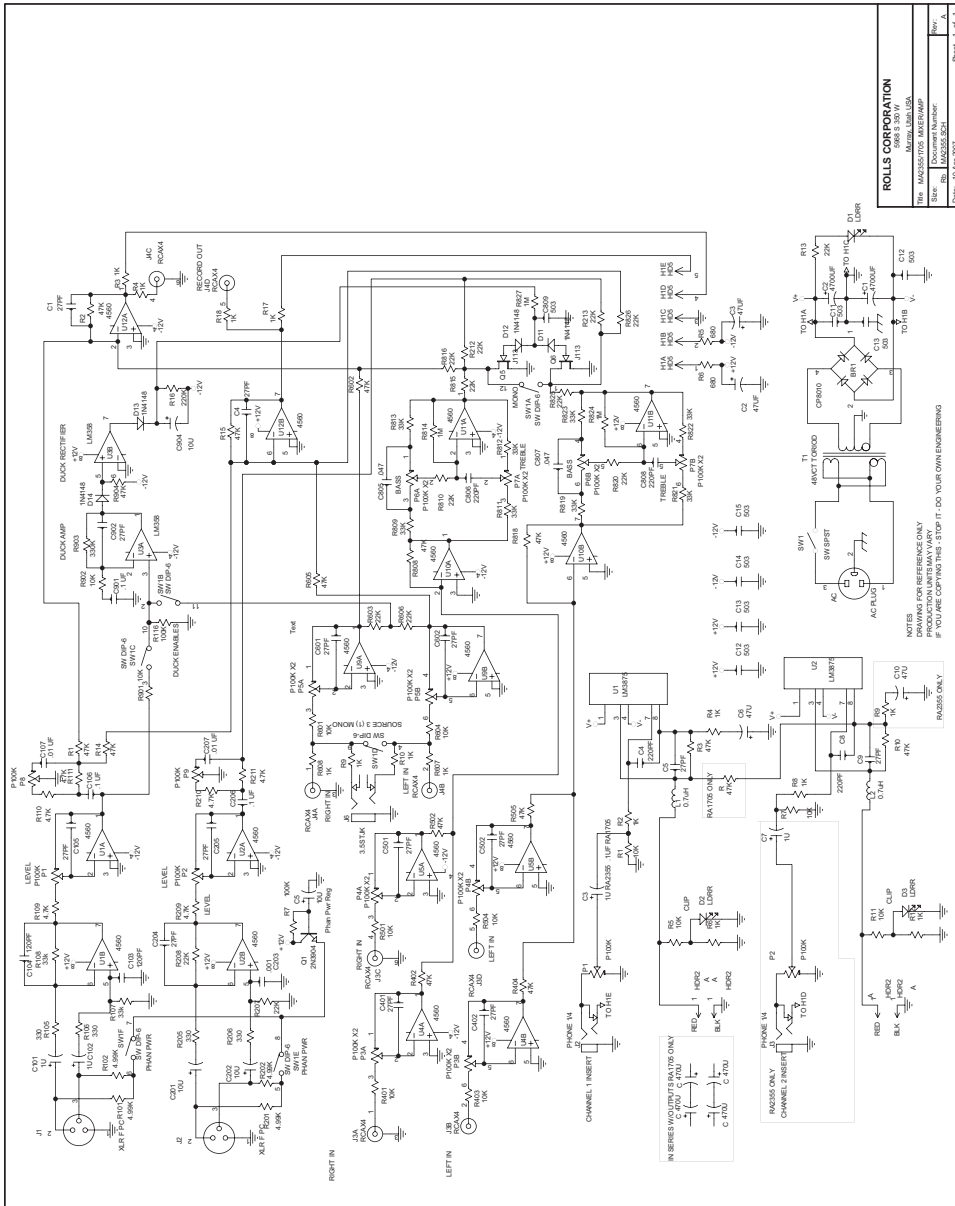


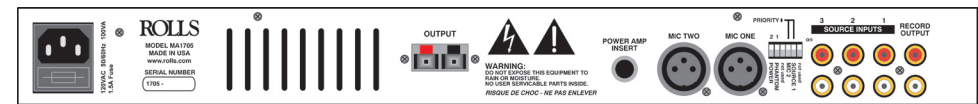
# ROLLS

## MA1705

### Mixer / 70 Volt Amplifier



ROLLS CORPORATION  
 1000 S. 1000 E.  
 SALT LAKE CITY, UT 84143  
 TEL: (801) 488-8888  
 FAX: (801) 488-8889  
 DATE: 10/14/2007  
 SHEET 1 OF 1



#### SPECIFICATIONS

- MIXER**
- Input Impedance: Mic: 600 Ohms XLR balanced
  - Source: 22K Ohms RCA
  - Insert: 22K Ohms 1/4" TS unbal.
  - Max Input Level: Mic: -14 dBV Mic level Max
  - Source: 24 dBV
  - Insert: 24 dBV
  - Connectors: 2: XLR, 6: Stereo RCA, 3: 1/4" TRS, 1: 1/4" TS, 1: 1/8" (3.5mm)
  - Phantom Power: +12 VDC
  - Max Gain: Mic: 60 dB
  - Source: 26 dBV
  - Tone Controls: +/-12 dB 100 Hz Bass
  - +/-12 dB 11kHz Treble
  - Noise Floor: Speaker Out: -67 dBV
  - Pre Out: -90 dBV
  - THD + Noise: -82 dBV
  - S/N Ratio: 96 dBV
  - Priority Attenuation: 60 dBV

#### POWER AMP

- Recommended Load: 70 Volt line (70 Watts maximum)
- Frequency Response: 60Hz to 20 kHz
- Size (W x H x D): 19" x 1.75" x 5" (48 x 4.5 x 12.7)
- Weight: 5.5 lbs (2.5 kg)

**NOTE: THIS MANUAL ASSUMES THE USER HAS A WORKING KNOWLEDGE OF AUDIO ELECTRONICS, BALANCED AND UNBALANCED CONNECTIONS, AND PROPER SIGNAL LEVEL SETTING.**



ROLLS CORPORATION  
 SALT LAKE CITY, UTAH

4/07

Thank you for your purchase of the Rolls MA1705 Mixer / Amplifier. The MA1705 is a single rack space mixer amplifier designed for restaurants, schools, churches, clubs etc. The unit provides a compact and efficient way to mix up to three sources such as AM/FM tuners, CD players, and video players with up to two microphones. Priority talkover is provided on Microphone Two for paging, and on Source One for a jukebox, telephone, etc.

**INSPECTION**

1. Unpack and inspect the MA1705 box and package. If obvious physical damage is noticed, contact the carrier immediately to make a damage claim. We suggest saving the shipping carton and packing materials for safely transporting the unit in the future.
2. For warranty information, and to register your MA1705 warranty, please visit our website at [www.rolls.com](http://www.rolls.com) and click on the Register Your Warranty Here button.

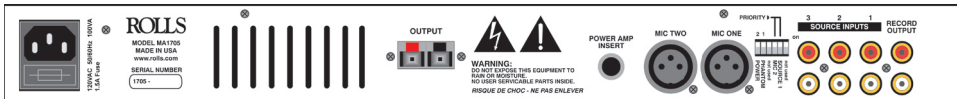
**DESCRIPTION**

**FRONT PANEL**



- Treble:** Adjusts the high frequencies of the Source 2 and 3 signals only.
- Bass:** Adjusts the low frequencies of the Source 2 and 3 signals only.
- IN 1:** 1/8" (3.5mm) Tip-Ring-Sleeve input jack - parallels the rear-panel Source Input 1.
- Source 1 - 3:** Adjust the volume of input from the RCA Source Inputs.
- Mic 1, 2:** Adjust the level of signal from the corresponding Mic Input.
- TONE 1, 2:** Adjusts the frequency content of the microphone signal in the channel. When the control is turned counter-clockwise, the high frequencies are cut, when the control is turned clockwise, the low frequencies are cut.
- Output Level:** Adjusts the output level of the MA1705 amplifier.
- Power:** LED indicating power is applied to the MA1705 and the unit is on.
- Clip:** LED indicating overload in the MA1705 amplifier.

**REAR PANEL**



- 120 VAC 50/60 HZ 15 VA:** IEC Power Cord. Connect to a properly grounded AC source.
- NOTE:** REPLACE THE FUSE WITH ONLY THE PROPER RATED FUSE. INSTALLING A FUSE OTHER THAN THE RECOMMENDED RATING WILL DAMAGE THE UNIT.
- OUTPUT:** Spring-loaded terminal for connection to the speakers.
- POWER AMP INSERT:** 1/4" Tip-Send, Ring-Return insert jack for.
- MICROPHONE ONE and TWO:** Balanced XLR inputs to be connected to dynamic or condenser microphones.
- DIP SWITCH:** Contains the small switches for engaging Mic 1, 2 phantom power, and the priority (Talk Over) functions.
- SOURCE INPUTS:** Stereo RCA jacks, Channels 1 - 3, for connection to stereo sources such as AM/FM tuners, cassette players, cd players, or a jukebox.
- RECORD OUT:** Stereo RCA jacks, contains all mixed signals before the Master Level control.

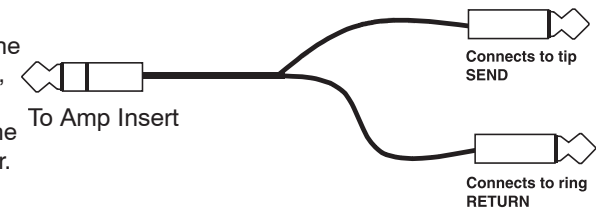
**Inputs**

Connect low impedance microphones to the Mic inputs. If a paging microphone is being used, connect it to Mic Input 2 so it may be used with the Talk Over function. Connect source signals such as CD players, cassette players or video players to the RCA Source Inputs. If a jukebox is being connected, and you want its signal to mute the other source signals, connect it to Source input 1.

For recording purposes, connect a stereo RCA cable to the Record Out jacks, and to your recording device.

**Amp Insert**

To connect a signal processor to the MA1705 signal, use an insert plug, or cable wired as shown in Fig. 1. This return signal is then sent to the output level section of the amplifier.



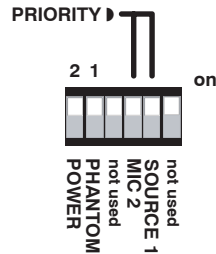
**Output**

Connect 70 Volt speakers to the Output of the MA1705 by pressing in each of the spring-loaded terminals and inserting the proper wire into the proper terminal i.e.; + = red, - = black.

**OPERATION**

**DIP SWITCH SETTINGS** (From left to right)

- If a microphone requires phantom power, move the Mic channel's corresponding PHANTOM POWER switch to the up position. This applies 12 volts dc phantom power to the indicated microphone.
- Mic 2 Priority; when in the up position, all program material on Mic 1 and Sources 2 and 3 will be "ducked" or muted when a signal is present at Mic 2. Source 1 is left un-muted. This function is used for paging.



- Source 1 Priority: when in the up position, Source 2, and 3 will be "ducked" or muted by the signals at Source 1. This function is for jukebox priority. With a jukebox connected to Source input 1, and the Talkover switch 2 on, the other Source input signals such as background music, will be muted and only the jukebox will be heard.

**FAULT PROTECTION**

The fault protection in the MA1705 limits the current to the output stage. This mode is entered whenever the output stage is called upon for too much power, it may also be fooled by impedances lower than four ohms - which may cause the output stage to overheat and be irreversibly damaged.

**BURN WARNING!**

**THE FRONT PANEL OF THE MA1705 IS THE HEAT DISTRIBUTION FOR THE OUTPUT STAGE. IF THE UNIT IS OPERATED AT HIGH VOLUMES, IT MAY GET HOT.**

## Free Manuals Download Website

<http://myh66.com>

<http://usermanuals.us>

<http://www.somanuals.com>

<http://www.4manuals.cc>

<http://www.manual-lib.com>

<http://www.404manual.com>

<http://www.luxmanual.com>

<http://aubethermostatmanual.com>

Golf course search by state

<http://golfingnear.com>

Email search by domain

<http://emailbydomain.com>

Auto manuals search

<http://auto.somanuals.com>

TV manuals search

<http://tv.somanuals.com>