

# *Rosewill*

## TFT-LCD COLOR MONITOR USER'S MANUAL

### R500N



1. Introduction

Product Description .....	Page. 2
Package Contents .....	Page. 2
Product Features .....	Page. 2
Cleaning .....	Page. 3
Precautions .....	Page. 4

2. Control Function

OSD Button .....	Page. 6
OSD Control .....	Page. 8
HOT Control .....	Page. 9

3. Inputs Diagram

Inputs .....	Page. 10
--------------	----------

4. Display Angle .....

Page. 11

5. Product Specification .....

Page. 12

6. Display Modes .....

Page. 13

7. service Information .....

Page. 14

# Introduction

---

## Product Description

Congratulations on your purchasing this new generation of monitor. Your LCD monitor incorporates high quality display into a small light weighted module. It has power-saving capabilities and emits no X-ray radiation. You will certainly benefit from this monitor in lots of way to name some of them, comfort safety and environmental protection.

This LCD monitor incorporates 15" color active matrix thin-film-transistor (TFT) liquid crystal display to provide superior display performance. A maximum resolution of XGA 1024X768 is ideal for designs that enhance this LCD monitor's performance are Plug & play compatibility, audio system and OSD (On Screen Display) controls.

English

## Package Contents

Included with your LCD monitor are following items:

- 15" TFT LCD monitor
- 15 pin D-sub signal cable
- AC power cable
- User's manual
- Sound Card Cable (Option)

## Product Features

- High contrast color TFT LCD display support resolution up to XGA 1024X768
- Compatible with IBM VGA, VESA, and Macintosh standards.
- Imbedded audio system provides sound performance. (Option)
- AUDIO-1, and PC line in sound application. (Option)

## Cleaning

- Gently wipe screen with a clean camel hair lens brush, or a soft, clean lint-free cloth.
- This removes dust and other particles that can scratch the screen.
- Do not apply pressure to the screen surface when wiping it clean.
- Do not pour or spray any liquid directly onto the screen or case of the LCD monitor.
- Chemical cleaners have been reported to damage the screen or the LCD monitor.

## Precautions

- Read all these instruction and save them for later use.
- Follow all warning and instructions on the product.

### Product

- Do not block the vent holes in the case.
- Do not insert sharp objects or spill liquid into the LCD monitor through cabinet slots.  
They may cause accident fire, electric shock or failure.
- Disconnect the power plug from the AC outlet if you will not use it for an indefinite period of time.
- Do not attempt to service this product yourself, as opening or removing covers may expose you to dangerous voltage points or other risks.
- Do not touch the screen directly with your fingers. You may damage the screen, and oil from your skin is difficult to removed.
- Do not apply pressure to screen. The LCD is very delicate.

### Power

- Use the type of power indicated on the marking label.

### Plugs

- Do not remove any of the prongs of the monitor's three-pronged power plug.
- Disconnect the power plug from the AC outlet under following conditions:
- If you will not use it for an indefinite period time.
- When the power cord or plug is damaged or frayed.
- If the product does not operate normally when the operating instructions aye followed.

Adjust only those controls may result in damage and will often require extensive work by a qualified technician to restore the product to normal operation.

- If the product has been dropped or the cabinet has been damaged.
- If the product exhibits a distinct change in performance, indicating a need for service.

### Power and extension cords

- Do not allow anything to rest on the power cord.
- Do not locate this product where persons will walk on the cord.
- Use the proper power cord with correct attachment plug type. If the power source is 120V AC, use a power cord that has UL and C-UL approvals. If the power source is a 240V AC supply, use the tandem (T blade) type attachment plug with ground conductor power cord that meets the respective European country's safety regulations, such as VDE for Germany.

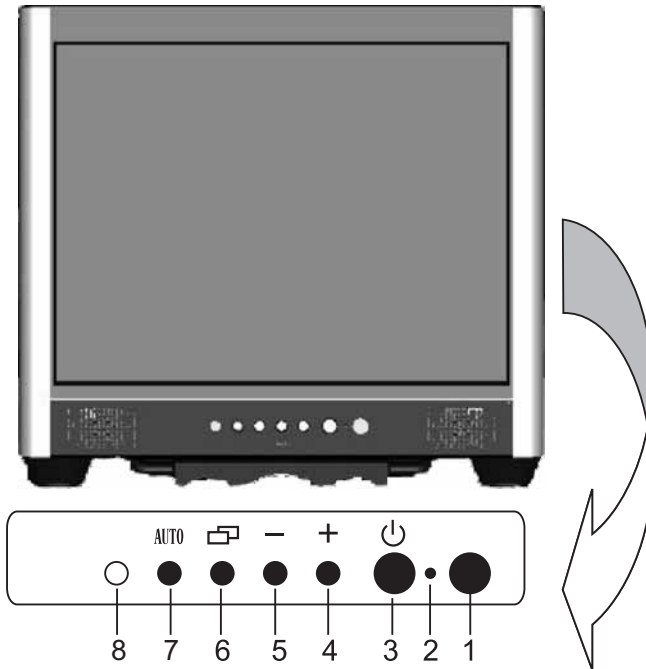
- Do not overload wall outlets or power cords. Ensure that the total of all units plugged into the wall outlet does not exceed 10 amperes.
- Ensure that the total ampere ratings on all units plugged into the extension cord is not above the cord's rating.
- If the power supply cord, which came with your monitor, is to be connected to the PC instead of the wall outlet, this equipment is to be used with UL/TUV approved computers with receptacle rated 100~240V AC,50/60Hz, 1.0A(minimum).

#### Environment

- Place the monitor on a flat and leveled surface.
- Place the monitor in a well-ventilated place.
- Keep the monitor away from:  
Overly hot, cold or humid places, places directly under sunlight, dusty surroundings, equipment that generate strong magnetic fields.

# Control Function

## Control Button Front View

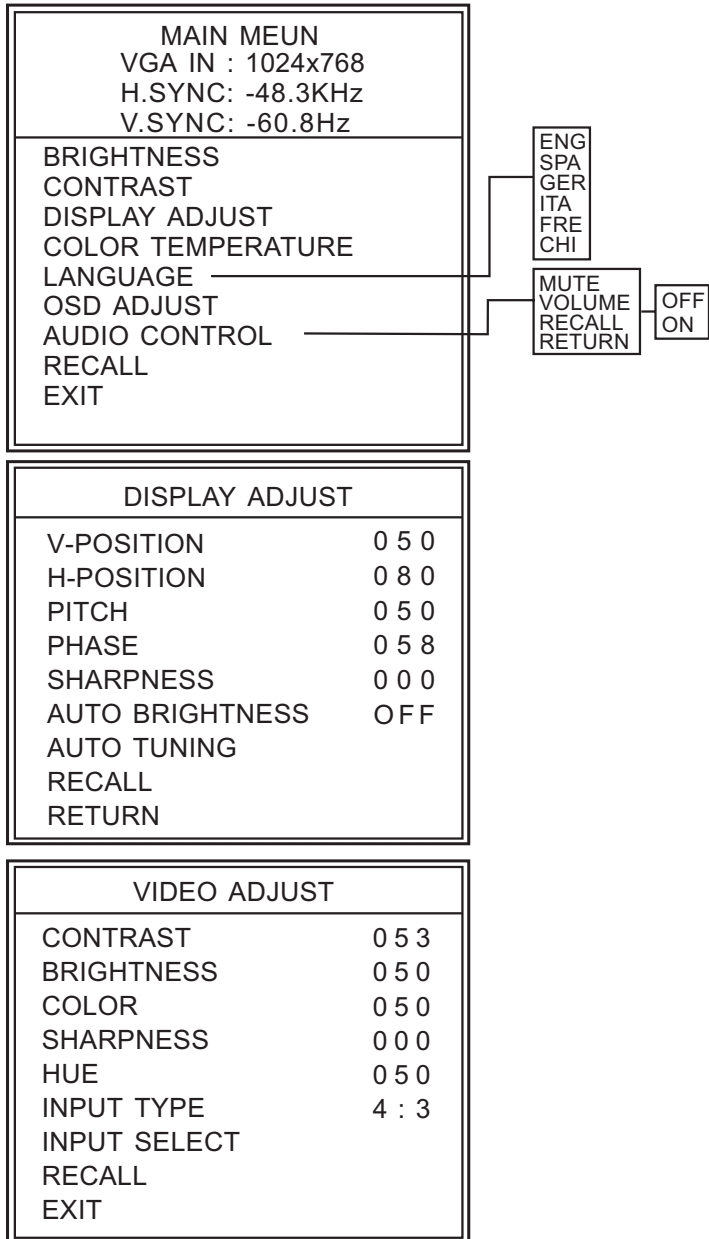


- \*1. Infrad receiver: Remote control to select the OSD of LCD Monitor and TV function.
2. PowerLED: This power LED indicates different status when this unit operates in different modes.
3. Power switch: pressing this button turns the display system power on or off.
4. Increase: This button is used to adjust the increasing Value of selected OSD control option and Volume select quickly when have Audio in function.

5. Decrease: This button is used to adjust the decreasing Value of selected OSD control option and VOLUME adjust function quickly when have Audio function.
  6. OSD Menu/select: Pressing this button pops up the OSD menus on the screen and used to select the OSD control options on the screen.
  7. Auto tuning: Automatically sixes, centers and fine tunes the Video signal to eliminate “noise” and distortion.
  - \* 8. Light sensor: Compensate light output to optimize.
- \*Option Item



# OSD CONTROL



**BRIGHTNESS:** Adjusts background black level of the screen image.

**CONTRAST:** Adjusts foreground white level of the screen image.

**H.POSITION:** Moves the screen image left or right.

**V.POSITION:** Moves the screen up and down.

**PITCH:** Adjusts image distortion appearing as vertical bars or “noise” on the screen.

**PHASE:** Adjusts image distortion appearing as horizontal “noise” on the screen.

**SHARPNESS:** Adjusts clarity and focus of the screen images.

**COLOR TEMPERATURE:** Adjusts color temperatures for users.

**LANGUAGE:** Allows you to choose among five languages as English, Spanish, German, French, Italian

**AUDIO CONTROL:** Switch muting ON/OFF and Volume control.

**RECALL:** Returns all controls back to factory setting.

## HOT KEY CONTROL

### 1. VGA HOT KEY

UP KEY ←→ BRIGHTNESS

DOWN KEY ←→ CONTRAST

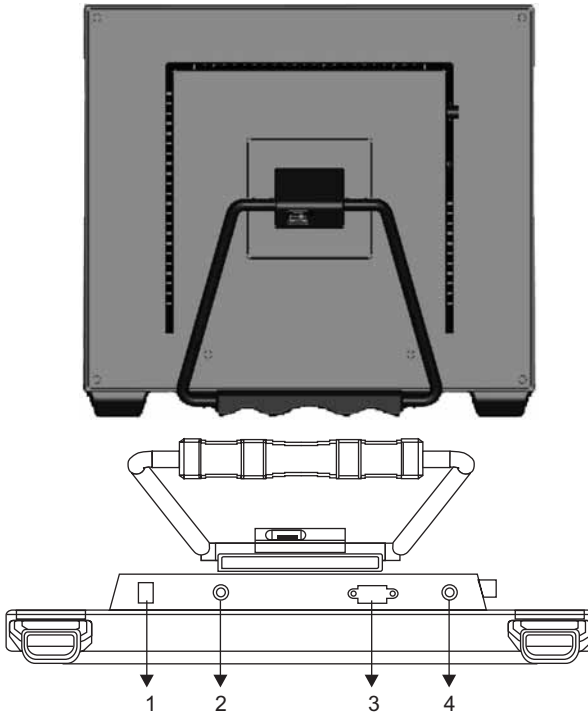
### 2. VGA+A HOT KEY

UP KEY ←→ VOLUME INCREASE

DOWN KEY ←→ VOLUME DECREASE

# Inputs Diagram

## Inputs



English

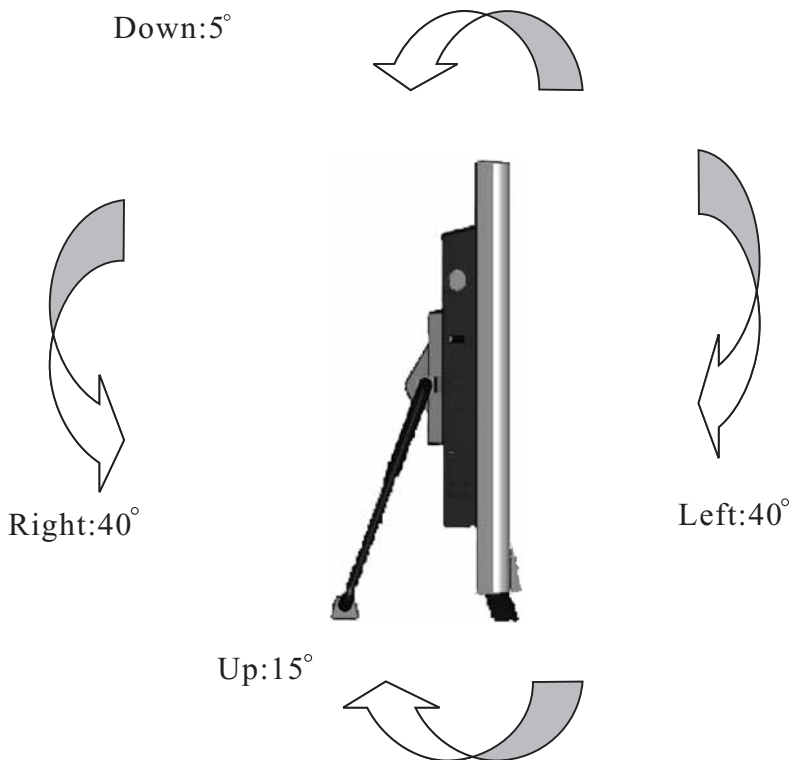
1. AC POWER INPUT : AC inlet for 12V power system
2. EARPHONE: This input would offer users another better choice in using a monitor without disturbing others
3. PC IN: This can be connected with the D-Sub15 pin signal connector
4. LINE IN : This can be connected to the stereo audio out of any sound resource

# Display Angle

## Tilting

For viewing clarity can tile the LCD forward (up to 5 degrees) or backward (up to 5 degrees).

English



# Product Specification

Spec \ Model	PC
LCD Display	15"active matrix TFT LCD panel
Pixel pitch	0.297(H)x0.297(V)mm
Max. Resolution	1024(H)x768(V)xGA
Dimensions	400(V)x405(H)x170(D)mm
Packing Dimensions	470(V)x490(H)x240(D)mm
Contrast Ratio	<input type="checkbox"/> 300:1 <input type="checkbox"/> 350:1 <input type="checkbox"/> 400:1
Brightness	<input type="checkbox"/> 250cd/m <sup>2</sup> <input type="checkbox"/> 200cd/m <sup>2</sup>
Response Time	10/30ms
Display Color	16.777M
Viewing Angle L/R	<input type="checkbox"/> 160° <input type="checkbox"/> 140° <input type="checkbox"/> 120°
U/D	<input type="checkbox"/> 160° <input type="checkbox"/> 120° <input type="checkbox"/> 110°
PC Interface Video Sync.	RGB analog 0.7V p p
Display Mode	VGA/SVGA/XGA
PC connetor	15min D-sub
Front Control	Power on/off with LED, Menu select, Up/Down Adjustment, Auto tuning, Light sensor
OSD Adjustment	Contrast, Brightness, Auto tuning, Phase, H-Position, V-Position, Input selection
Power input	DC Input:12V/4.0A
Operating Conditions	Temperature:0°C ~ 50°C Humidity:20%~80%
Storage Conditions	Temperature:-20°C ~ 60°C Humidity :20%~80%
Certification	FCC(DOC), CE-B,VCC-I, UL,CSA, TUV/GS
Weight	N/W :4.6Kgs G/W :6.4Kgs

# Display Modes

---

English

Modelo	Resolución	H Frec.(KHz)	V Frec.(Hz)
0	720*350	31.469	70.087
1	640*480	31.469	59.940
2	640*480	35.000	66.667
3	640*480	37.861	72.809
4	640*480	37.500	75.000
5	720*400	31.469	70.087
6	800*600	35.156	56.250
7	800*600	37.879	60.317
8	800*600	48.077	72.188
9	800*600	46.875	75.000
10	832*624	49.750	74.500
11	1024*768	48.363	60.004
12	1024*768	56.476	70.069
13	1024*768	58.038	71.918
14	1024*768	60.023	75.029

# Service Information

---

## Service

When you buy this excellent LCD Monitor, you are entitle to the warranty provide by us, please contact us you need for any information or helps of our product.

Thank you for buying our products again.

## Free Manuals Download Website

<http://myh66.com>

<http://usermanuals.us>

<http://www.somanuals.com>

<http://www.4manuals.cc>

<http://www.manual-lib.com>

<http://www.404manual.com>

<http://www.luxmanual.com>

<http://aubethermostatmanual.com>

Golf course search by state

<http://golfingnear.com>

Email search by domain

<http://emailbydomain.com>

Auto manuals search

<http://auto.somanuals.com>

TV manuals search

<http://tv.somanuals.com>