



**LCD Monitor Desk Mount  
Instruction Manual  
RHMS-11003**

---

Thank you for purchasing a quality Rosewill Product.  
Please register your product at : [www.rosewill.com](http://www.rosewill.com)  
for complete warranty information and future support for your product.

**NOTE:** Before starting installation, make sure you have read and completely understand these instructions. Do not attempt the installation if you are unsure of any part of these instructions.





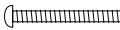
**IMPORTANT!**

- This mount is designed for LCD monitors that are VESA 75 or VESA 100 compliant. Check the specifications of your display to make sure it is compatible with this mount before attempting to install it.
- Check the contents of your hardware kit to make sure all hardware have been supplied.
- This mount is designed for LCD monitors and TVs up to 27" in size weighing up to 30 kg (66 lbs). Using a larger or heavier display with this mount may result in injury or property damage.

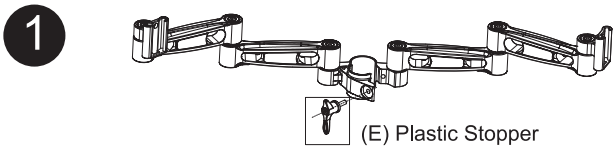
Tools required for the installation:

- Phillips Head Screw Driver

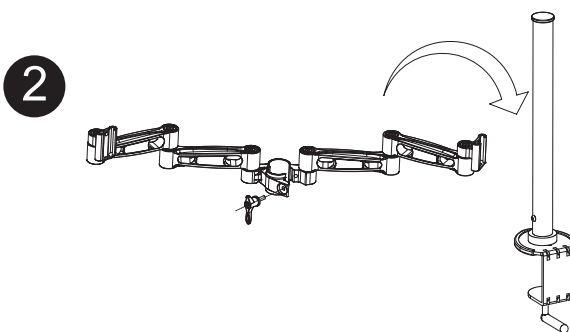
Also make sure that all of the hardware has been included with your mount. You should find the following:

(A) Spacer	X 8		(B) Allen Wrench	X 1		(E) Plastic Stopper	X 2	
(C) M4x12 Screw	X 8		(D) M4x25 Screw	X 8				

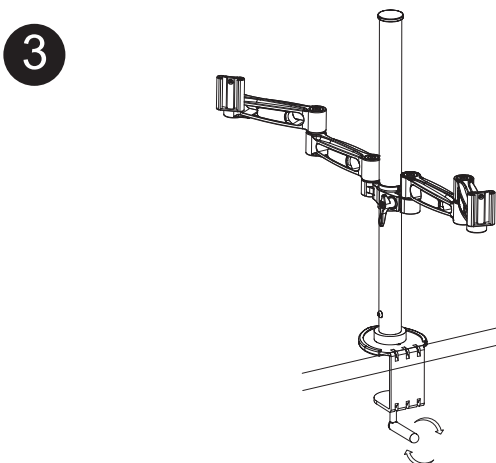
### Installing the Desk Mount



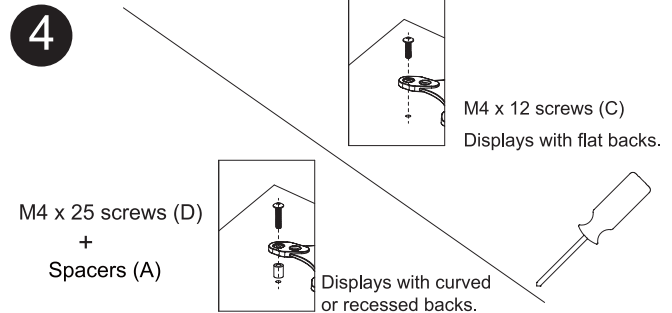
Loosen the tightening knob as shown.



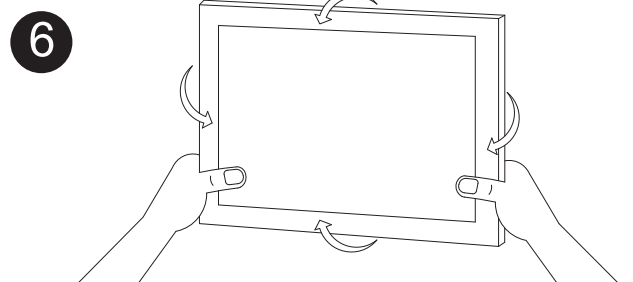
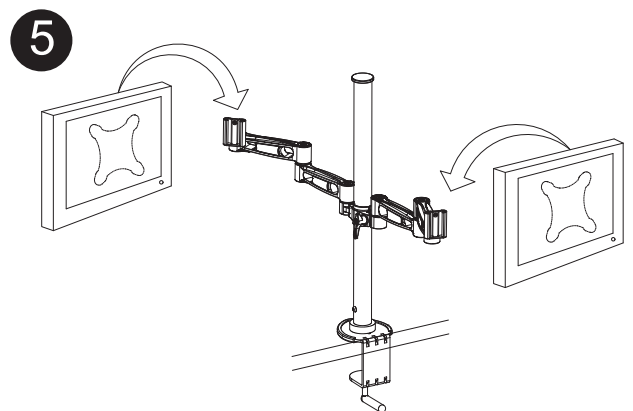
Attach the arms to the pole, adjust the arms to the desired height.



Attach the mount to your desk or table by turning the handle clockwise. Make sure the clamp is tight, but be careful not to overtighten it. The maximum clearance for the clamp is 80 mm.



Attach your LCD monitor to the mount using the hardware provided.



- Adjust the three screws located directly behind the head of the mount using the Allen Key (B).
- To adjust the tilt angle or rotate your screen, firmly grasp the sides of your display and carefully move it into position.

## Free Manuals Download Website

<http://myh66.com>

<http://usermanuals.us>

<http://www.somanuals.com>

<http://www.4manuals.cc>

<http://www.manual-lib.com>

<http://www.404manual.com>

<http://www.luxmanual.com>

<http://aubethermostatmanual.com>

Golf course search by state

<http://golfingnear.com>

Email search by domain

<http://emailbydomain.com>

Auto manuals search

<http://auto.somanuals.com>

TV manuals search

<http://tv.somanuals.com>