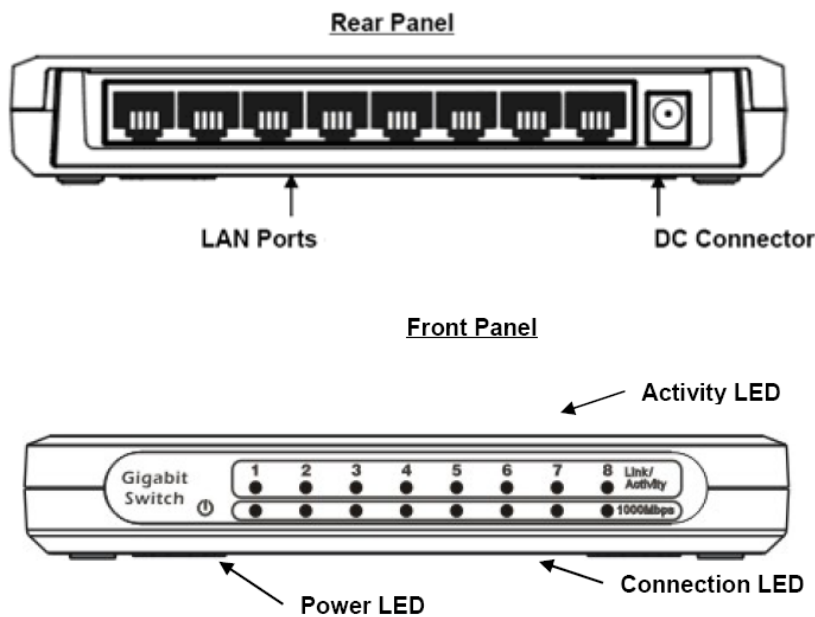




**Quick Installation Guide**  
**8 port Giga Switch RC-410X**



Thank you for purchasing RC-410X, a 8-port 10/100/1000 Gigabit desktop switch which is suited for SOHO and enterprise users seeking pain-free, plug-and-play Ethernet connectivity. The RC-410X delivers rich features, high performance, and extreme reliability in a cost-effective, space-saving design. The plastic housing provides a light-weight and user-friendly touch compared to metal casing, and the sleek and compact design of the RC-410X saves space while serving thermal needs. This is a perfect solution for high-speed connectivity.



Step	Label	Description
1	LAN Ports (1 – 8)	Use an Ethernet cable to connect each port to a computer on your Local Area Network (LAN).
2	DC Connector	Use the power cable and connect the adapter to the power socket on the wall, and the DC inlet into the DC connector.
	Connection LED	This LED will light up once an Ethernet cable is connected to one of the LAN ports or the WAN port.
	Activity LED	This LED will light up once an Ethernet cable is connected to one of the LAN / WAN ports and the network is generating traffic.
	Power LED	This LED will light up once the power cable is connected to the DC connector.

Thank you for purchasing a quality Rosewill Product.

Please register your product at : [www.rosewill.com](http://www.rosewill.com) for complete warranty information and future support for your product.

## Free Manuals Download Website

<http://myh66.com>

<http://usermanuals.us>

<http://www.somanuals.com>

<http://www.4manuals.cc>

<http://www.manual-lib.com>

<http://www.404manual.com>

<http://www.luxmanual.com>

<http://aubethermostatmanual.com>

Golf course search by state

<http://golfingnear.com>

Email search by domain

<http://emailbydomain.com>

Auto manuals search

<http://auto.somanuals.com>

TV manuals search

<http://tv.somanuals.com>