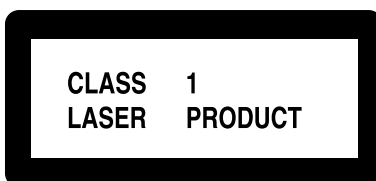
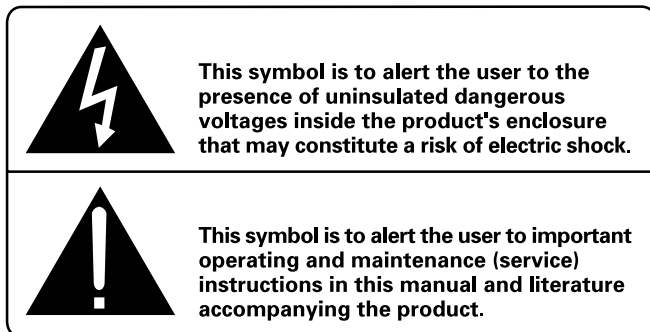




APPLICABLE FOR USA, CANADA OR WHERE APPROVED FOR THE USAGE

CAUTION: TO PREVENT ELECTRIC SHOCK, MATCH WIDE BLADE OF PLUG TO WIDE SLOT. INSERT FULLY.

ATTENTION: POUR EVITER LES CHOCS ELECTRIQUES, INTRODUIRE LA LAME LA PLUS LARGE DE LA FICHE DANS LA BORNE CORRESPONDANTE DE LA PRISE ET POUSSER JUSQU'AU FOND.



IMPORTANT FOR LASER PRODUCTS

1. CLASS 1 LASER PRODUCT
2. **DANGER:** Visible laser radiation when open and interlock failed or bypassed. Avoid direct exposure to beam.
3. **CAUTION:** Do not open the top cover. There are no user serviceable parts inside the player; leave all servicing to qualified service personnel.

WARNING!

To reduce the risk of electrical shock, fires, etc.:

1. Do not remove screws, covers or cabinet.
2. Do not expose the unit to rain or moisture.
3. Do not touch the power cord or plug with wet hands.

Important Safety Instructions

WARNING: There are no user serviceable parts inside. Refer all servicing to qualified service personnel.

WARNING: To reduce the risk of fire or electric shock, do not expose the unit to moisture or water. Do not allow foreign objects to get into the enclosure. If the unit is exposed to moisture, or a foreign object gets into the enclosure, immediately disconnect the power cord from the wall. Take the unit to a qualified service person for inspection and necessary repairs.

Read all the instructions before connecting or operating the component. Keep this manual so you can refer to these safety instructions.

Heed all warnings and safety information in these instructions and on the product itself. Follow all operating instructions.

Clean the enclosure only with a dry cloth or a vacuum cleaner.

You must allow 10 cm or 4 inches of unobstructed clearance around the unit. Do not place the unit on a bed, sofa, rug, or similar surface that could block the ventilation slots. If the component is placed in a bookcase or cabinet, there must be ventilation of the cabinet to allow proper cooling.

Keep the component away from radiators, heat registers, stoves, or any other appliance that produces heat.

The unit must be connected to a power supply only of the type and voltage specified on the rear panel of the unit.

Connect the component to the power outlet only with the supplied power supply cable or an exact equivalent. Do not modify the supplied cable in any way. Do not attempt to defeat grounding and/or polarization provisions. Do not use extension cords.

Do not route the power cord where it will be crushed, pinched, bent at severe angles, exposed to heat, or damaged in any way. Pay particular attention to the power cord at the plug and where it exits the back of the unit.

The power cord should be unplugged from the wall outlet if the unit is to be left unused for a long period of time.

Immediately stop using the component and have it inspected and/or serviced by a qualified service agency if:

- The power supply cord or plug has been damaged.
- Objects have fallen or liquid has been spilled into the unit.
- The unit has been exposed to rain.
- The unit shows signs of improper operation
- The unit has been dropped or damaged in any way

Place the unit on a fixed, level surface strong enough to support its weight. Do not place it on a moveable cart that could tip over.



| | |
|-----------|--|
| CAUTION | - LASER RADIATION WHEN OPEN. DO NOT STARE INTO BEAM. |
| ATTENTION | - RAYONNEMENT LASER EN CAS D'OUVERTURE. NE PAS REGARDER DANS LE FAISCEAU. |
| VORSICHT | - LASERSTRAHLUNG. WENN ABDECKUNG GEÖFFNET, NICHT IN DEN STRAHL BLICKEN. |
| ADVARSEL | - LASERSTRÅLING VED ÅBNING. SE IKKE IND I STRÅLEN. |
| ADVARSEL | - LASERSTRÅLING NÅR DEKSEL ÅPNES. STIRR IKKE INN I STRÅLEN. |
| VARNING | - LASERSTRÅLNING NÅR DENNA DEL ÄR ÖPPNAD. STRÅR EJ IN I STRÅLEN. |
| VARO! | - AVATTAESSA OLET ALTTIINA LASERSÄTEILYLLE. ÄLÄ TUJUTA SÄTEESEEN. |
| 注意 | - 当打开这里会出现激光, 请不要直视激光。 |
| 注意 | - ここを開くとレーザー光が出ます。 レーザー光をのぞき込まないでください。 |

Figure 1: Controls and Connections
Commandes et branchements
Bedienelemente und Anschlüsse
Comandi E Collegamenti
Controles y Conexiones
Bedieningsorganen en aansluitingen
Funktioner och anslutningar

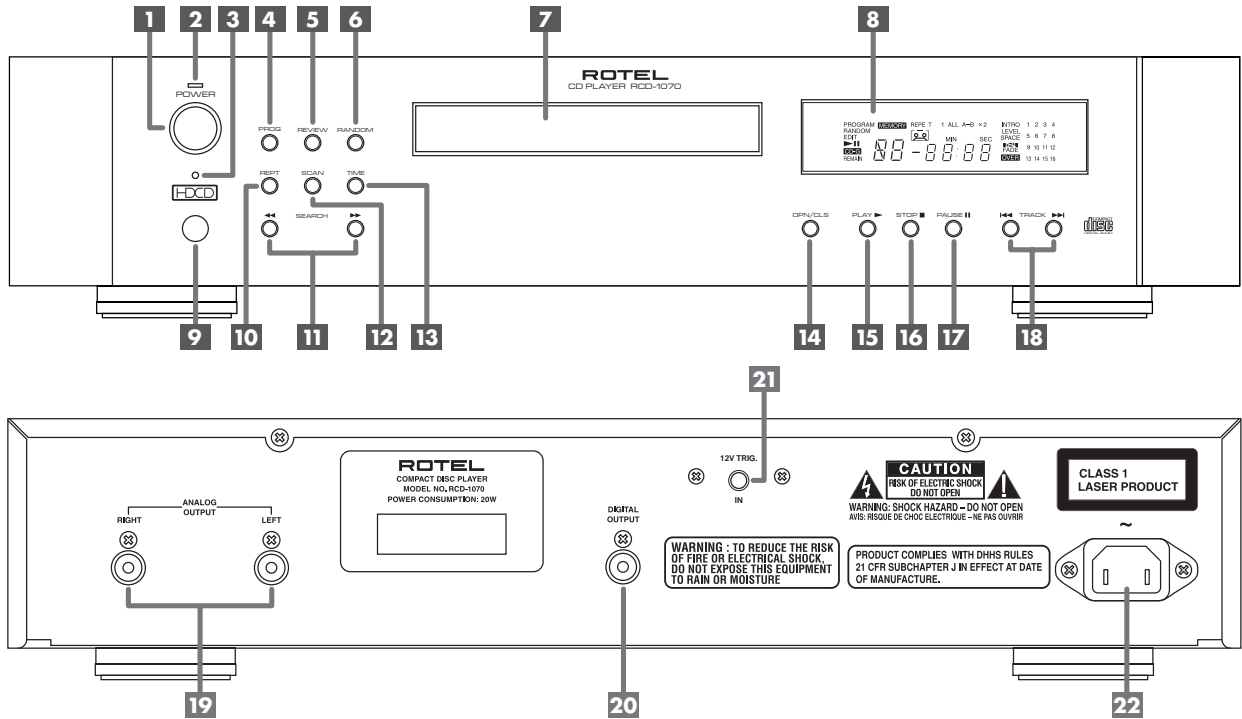


Figure 2: RR-D94 Remote Control
Télécommande RR-D94
Fernbedienung RR-D94
Comando A Distanza RR-D94
Mando a Distancia RR-D94
De RR-D94 afstandsbediening
RR-D94 Fjärrkontroll

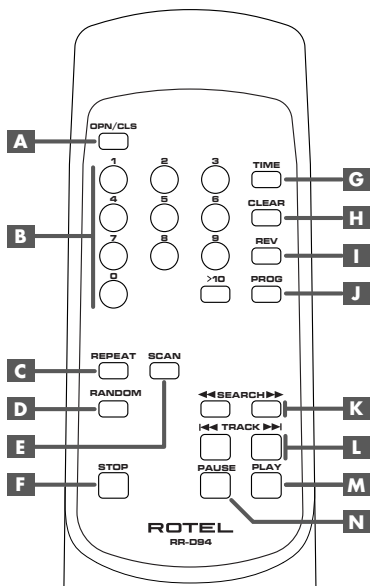


Figure 3: Analog Outputs
Sorties analogiques
Analoge Ausgänge
Uscite Analogiche
Salidas Analógicas
De analoge uitgangen
Analoga utgångar

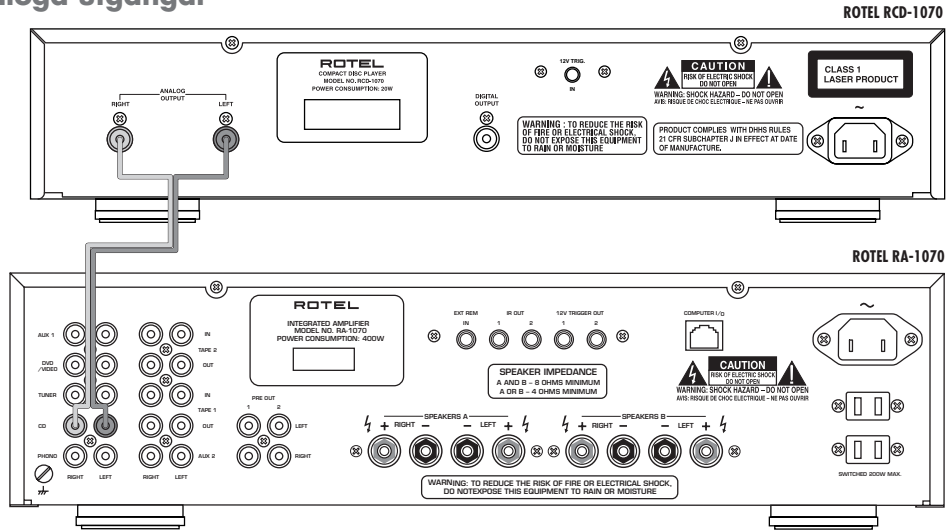
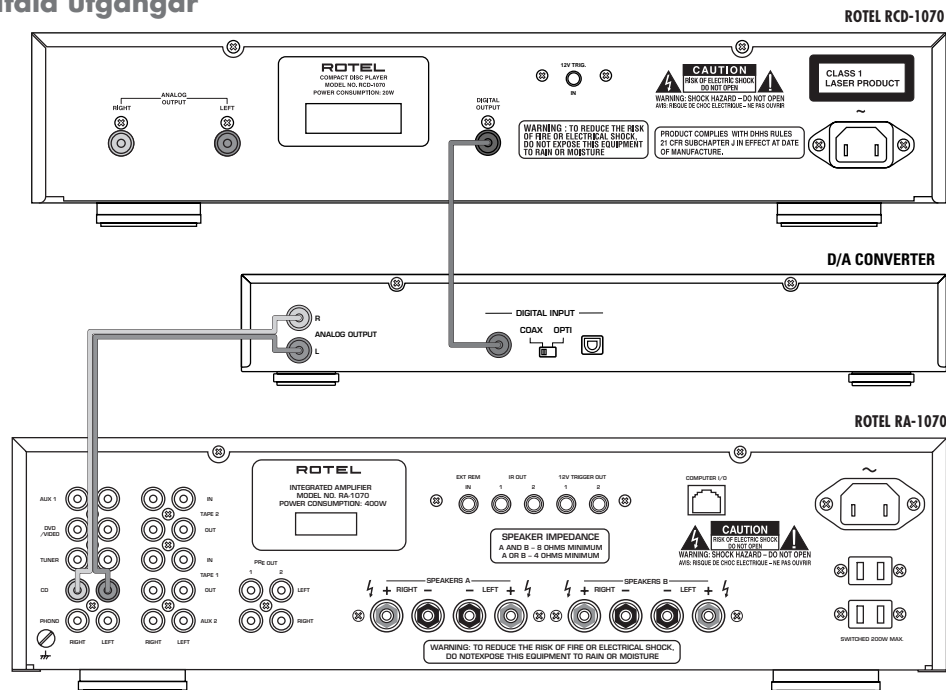


Figure 4: Digital Outputs
Sorties numériques
Digitalausgang
Uscite Digitali
Salidas Digitales
De digitale uitgangen
Digitala utgångar



Contents

| | |
|--|----------|
| Figure 1: Controls and Connections | 3 |
| Figure 2: RR-D94 Remote Control | 3 |
| Figure 3: Analog Outputs | 4 |
| Figure 4: Digital Outputs | 4 |
| About Rotel | 5 |
| Getting Started | 5 |
| A Few Precautions | 5 |
| Placement | 5 |
| Control Identification | 5 |
| AC Power and Control | 6 |
| AC Power Input 22 | 6 |
| Power Switch 1 and Power Indicator 2 | 6 |
| Output Connections | 6 |
| Analog Outputs 19 | 6 |
| Digital Output 20 | 6 |
| 12 Volt Trigger Input 21 | 6 |
| Operation | 6 |
| Infrared Remote Control 9 | 6 |
| Display 8 | 6 |
| Disc Drawer 7 | 6 |
| Transport Control Buttons | 7 |
| OPEN/CLOSE Button 14 A | 7 |
| PLAY Button 15 M | 7 |
| STOP Button 16 F | 7 |
| PAUSE Button 17 N | 7 |
| TRACK Buttons 18 L | 7 |
| DIRECT ACCESS Buttons B | 7 |
| SEARCH Buttons 11 K | 7 |
| Additional Features | 7 |
| HDCD® 3 | 7 |
| PROGRAM Button 4 J | 8 |
| REVIEW Button 5 I | 8 |
| CLEAR Button H | 8 |
| RANDOM Button 6 D | 8 |
| REPEAT Button 10 C | 8 |
| SCAN Button 12 E | 8 |
| TIME Button 13 G | 8 |
| Troubleshooting | 9 |
| Power Indicator Is Not Lit | 9 |
| Fuse Replacement | 9 |
| No Sound | 9 |
| Specifications | 9 |

About Rotel

A family whose passionate interest in music led them to manufacture high fidelity components of uncompromising quality founded Rotel over 40 years ago. Through the years that passion has remained undiminished and the family goal of providing exceptional value for audiophiles and music lovers regardless of their budget, is shared by all Rotel employees.

The engineers work as a close team, listening to, and fine tuning each new product until it reaches their exacting musical standards. They are free to choose components from around the world in order to make that product the best they can. You are likely to find capacitors from the United Kingdom and Germany, semi conductors from Japan or the United States, while toroidal power transformers are manufactured in Rotel's own factory.

Rotel's reputation for excellence has been earned through hundreds of good reviews and awards from the most respected reviewers in the industry, who listen to music every day. Their comments keep the company true to its goal - the pursuit of equipment that is musical, reliable and affordable.

All of us at Rotel, thank you for buying this product and hope it will bring you many hours of enjoyment.

Getting Started

Thank you for purchasing the Rotel RCD-1070 Stereo Compact Disc Player. Its precision transport is back up by an 18-bit equivalent, multi-level Delta-Sigma D/A converter with 8x oversampling and HDCD®. These features, combined with Rotel's Balanced Design, ensure the RCD-1070 will deliver the highest level of audio performance. When used in a high-quality audio system, your Rotel CD player will provide years of enjoyment.

A Few Precautions

Please read this manual carefully. In addition to installation and operating instructions, it provides valuable information on various RCD-1070 system configurations as well as general information that will help you get optimum performance from your system. Please contact your authorized Rotel dealer for answers to any questions you might have. In addition, all of us at Rotel welcome your questions and comments.

Save the RCD-1070 shipping carton and all enclosed packing material for future use. Shipping or moving the RCD-1070 in anything other than the original packing material may result in severe damage that is not covered by the warranty.

Fill out and send in the owner's registration card packed with the RCD-1070. Also be sure to keep the original sales receipt. It is your best record of the date of purchase, which you will need in the event warranty service is required.

Placement

Use common sense when placing the RCD-1070 in a cabinet or when stacking other equipment. Make sure that the shelf or cabinet can support its weight. Do not stack heavy components on top of the RCD-1070. Avoid placing the unit where it may be subject to excessive heat such as on top of a large power amplifier or near a heat register. For best performance, avoid placing the unit where it may be subject to vibration, such as near a speaker.

Control Identification

The cover of this manual has a fold out panel that shows illustrations of the front and rear panels and the RR-D94 remote control. Each item in the illustrations is identified with a call out in a gray box. Throughout this manual the items referred to in the text are identified by the corresponding call out. The items on the front and rear panels are identified with a number call out, such as **1**. The items on the remote control are labeled with a letter call out, such as **A**.

HDCD®, **HDCD®**, *High Definition Compatible Digital®* and *Pacific Microsonics™* are either registered trademarks or trademarks of Pacific Microsonics, Inc. in the United States and/or other countries. *HDCD* system manufactured under license from Pacific Microsonics, Inc. This product is covered by one or more of the following: In the USA: 5,479,168, 5,638,074, 5,640,161, 5,808,574, 5,838,274, 5,854,600, 5,872,531 and in Australia: 669114. Other patents pending.

AC Power and Control

AC Power Input 22

Your RCD-1070 is configured at the factory for the proper AC voltage in the country where you purchased it (either 115 volts or 230/240 volts). The AC line configuration is noted on a decal on the back panel.

Note: Should you move your CD player to another country, it may be possible to reconfigure it for use on a different line voltage. Do not attempt to perform this conversion yourself. Opening the enclosure of the RCD-1070 exposes you to dangerous voltages. Consult a qualified service person or the Rotel factory service department for information.

The RCD-1070 should be plugged directly into a 2-pin polarized wall outlet or into the switched outlet on another component in your audio system. Do not use an extension cord.

Be sure the power switch on the front panel of the RCD-1070 is turned off (in the "out" position). Then, connect the supplied power cord to the AC power receptacle on the rear of the unit and the AC power outlet.

If you are going to be away from home for an extended period of time such as a month-long vacation, it is a sensible precaution to unplug your CD player (as well as other audio and video components) while you are away.

Power Switch 1 and Power Indicator 2

The power switch is located on the front panel of your CD player. To turn the CD player on, push the switch in. The LED indicator above the switch and the Display will light up, indicating that the CD player is turned on. To turn the CD player off, push the button again and return it to the "out" position.

Note: If you are using a switched outlet to turn on and off your CD player, you should leave the power switch in the "on" position. When AC power is applied to the unit, it will power up in fully active mode.

Output Connections

The RCD-1070 gives you a choice of two different kinds of outputs – an analog output signal from the built-in D/A converter for use with conventional analog audio components and a coax digital output which provides an unprocessed digital signal for use with outboard D/A converters or digital processors.

Note: To prevent loud noises that could damage your speakers, turn off all the system components when you make any signal connections.

Analog Outputs 19

[See Figure 3 for wiring illustration]

A pair of standard RCA jacks supplies an analog output signal from the RCD-1070 to the source inputs of an audio preamplifier, integrated amplifier, or receiver.

Select high quality audio interconnect cables. Connect the left and right channel outputs of the RCD-1070 to the corresponding inputs on the preamplifier or other component.

Digital Output 20

[See Figure 4 for wiring illustration]

If you are using an outboard D/A converter or other digital processor, you will need an unprocessed digital data stream from the RCD-1070. Using a standard 75 ohm coax digital cable, connect the RCD-1070's digital output to the digital input connector on the outboard D/A converter.

12 Volt Trigger Input 21

The RCD-1070 can be activated by a 12 volt trigger signal. The trigger input accepts any control signal (AC or DC) ranging from 3 volts to 30 volts. When a cable is connected to the 12V input and a trigger signal is present, the RCD-1070 is activated. When the trigger signal is turned off, the unit goes into standby mode. The front panel power indicator remains lit, but the display goes dark and the unit will not operate.

NOTE: When using the 12V Trigger feature, leave the POWER button in the ON position.

Operation

The RCD-1070 can be operated using its front panel buttons or from corresponding buttons on the supplied infrared remote control. Specific instructions for each of these controls are detailed below. Most of the buttons are duplicated on the front panel and on the IR remote control. However, there are a few exceptions where the buttons are only available on one or the other. These exceptions are noted in the instructions.

Infrared Remote Control 9

Before using the IR remote control, it is necessary to install two "UM-4/AAA" batteries (supplied). Remove the plastic cover on the back of the IR remote, install the batteries (observing the + and – polarity indications), and reinstall the cover.

To use the IR remote control, aim it at the IR sensor 9 located in the lower left corner of the RCD-1070 front panel.

Display 8

A lighted Display on the front panel of the RCD-1070 provides useful information about the status of the unit, activation of special features, and track/time information for the disc being played. Each of these indicators is described in the detailed operating instructions that follow.



Disc Drawer 7

A motor-driven disc drawer, located in the center of the RCD-1070, slides out to accept a compact disc and retracts to play the disc. Place the compact disc in the drawer label-side up. Make sure the disc is properly centered in the tray. The drawer can be closed in two ways: pushing the OPN/CLS button or pushing the PLAY button.

Transport Control Buttons

These buttons provide basic control functions for the disc transport mechanism. Except where noted, all functions are available on the RCD-1070 front panel and the IR remote control. The numbered call outs

OPEN/CLOSE Button 14 A

When the transport disc drawer is closed, pressing this button automatically opens the drawer. To close the drawer, press this button again. The drawer can also be closed by pressing the PLAY button

When the drawer is open, the Display will read "OPEN". When it is closed with no disc, the display will read "NO DISC". When the drawer closes with a disc inserted, the Display will indicate the number of tracks on the disc and the total time of the disc in minutes and seconds.

PLAY Button 15 M

Press the PLAY button to start playing the disc. If the disc drawer is open, it will close automatically. The number of the track being played and the elapsed time will be shown in the display, along with the PLAY indicator. Normally, the disc will start playing with the first track. However, you can select a different track using the TRACK buttons or the DIRECT ACCESS buttons (see below) before pressing the PLAY button to start playing a different selection.

STOP Button 16 F

This button stops a disc that is playing and resets the player, i.e. if play is resumed, the disc will start over from the first track. Pressing the STOP button twice quickly in succession cancels any programmed selections (see below).

PAUSE Button 17 N

This button is used to temporarily suspend play. The disc continues to spin and play will be resumed from the current position. The PAUSE indicator will light in the Display. To resume playing the disc, press the PAUSE button again or press the PLAY button.

TRACK Buttons 18 L

These buttons are used to select tracks on the disc. When a disc is playing, pressing the right TRACK button advances to the beginning of the next track. Pressing the left TRACK button returns to the beginning of the current track. Pressing twice quickly in succession returns to the beginning of the previous track. The new track number appears in the Display.

These buttons are also used to select a track before pressing the PLAY button or when memorizing tracks for the PROGRAM play mode (see below). These selections are made by continuously pressing the TRACK buttons until the desired track is reached.

In PROGRAM mode, the TRACK buttons advance or reverse to the next track in the memorized selection list.

DIRECT ACCESS Buttons B

(remote only)

These eleven numeric buttons (labeled 1 through 10 and >10) are used to directly access a track from the IR remote control instead of stepping through the tracks using the TRACK buttons.

The first ten tracks on a disc can be selected by pressing the corresponding button. For example, to play the third track, press the 3 button on the remote control.

When accessing track numbers greater than 10, press the >10 button followed by the track number. For example, to select track 12, press the >10 button followed by the 1 button and then the 2 button. The number of the selected track will appear in the main numeric area at the center of the Display.

There is also a four by four matrix of track numbers (1 – 16) located at the right side of the display. This display indicates all of the tracks on the disc. If there are more than 16 tracks on the disc, all of the digits will light accompanied by the word OVER, regardless of which track is playing. This matrix is independent of the main numeric area of the Display, which will always indicate the currently playing track, even if above 16.

The DIRECT ACCESS buttons may also be used to memorize tracks in PROGRAM mode (see below).

SEARCH Buttons 11 K

These buttons fast forward or fast reverse through the currently playing disc as long as they are pressed. While the buttons are pressed, you will hear high-speed audio. Releasing the buttons returns to PLAY mode.

Additional Features

These convenience features add extra functionality to the RCD-1070, including the ability to play high-definition HDCD discs, to memorize a group of tracks to be played, to repeat a disc, program, or track over and over, to play the tracks on a disc in random order, to automatically play the first 10 seconds of each track, and to select from several available time displays.

HDCD® 3

HDCD® is an encoding technique that allows a CD to have greater effective dynamic range, reduced distortion, and increased detail. When playing HDCD encoded discs, the RCD-1070 can reproduce as much as 18-bit dynamic range. HDCD discs are identified by an HDCD logo on the package.

No user action is required to play an HDCD recording. The CD player automatically senses HDCD encoding and enables the circuitry. The HDCD LED on the front panel will light to indicate that an HDCD disc is being played.

NOTE: Some CDs that are labeled as HDCD have some tracks that are HDCD encoded and others that are not. The indicator light will light only when playing encoded tracks. This does not indicate a problem with the unit.

PROGRAM Button **4 J**

This button, labeled PROG, allows you to memorize as many as 20 tracks on the current disc for playback in a specific order. For example, you could instruct the RCD-1070 to play track 5, followed by track 3, followed by track 8. To begin a program:

1. Insert a disc and press the OPEN/CLOSE button to close the drawer. The RCD-1070 will read the contents of the disc.
2. Press the PROGRAM button on the front panel or the remote control. The PROGRAM indicator will light up in the Display, along with "P:00" indicating that the unit is waiting for the first track to be memorized.
3. To program tracks from the handheld remote control, enter the first track number using the DIRECT ACCESS buttons. Your selection will be memorized automatically and the Display indicator will change to "P:01", indicating that one track has been memorized. Continue entering the rest of your selections using the DIRECT ACCESS buttons. Note that there is no need to press the PROGRAM button as each selection is memorized as it is entered.
4. To program tracks from the front panel, select the first track number using the TRACK buttons. The track number and the program number in the display will flash for 3 seconds. While the display is flashing, press the PROGRAM button to memorize your selection. Note that once the flashing stops, you will no longer be able to memorize your selection. To memorize additional tracks, select them with the TRACK buttons, pressing the PROGRAM button after each selection.

Once you have memorized a play list, the RCD-1070 remains in PROGRAM mode until you open the disc drawer or press the STOP button twice in succession. If you press the PLAY button, the memorized program will play instead of the entire disc, starting with the first selection in the memorized list.

When a PROGRAM has been memorized, most functions that would normally affect the entire disc operate on just the memorized program. For example, the TRACK buttons advance to the next track in the memorized program, not the next track on the disc. Likewise, the REPEAT button (see below) continuously plays the memorized program, not the entire disc.

REVIEW Button **5 I**

This button is used to review the memorized tracks in PROGRAM mode. Press the button and the first memorized track number will appear in order in the Display, flashing for approximately five seconds. Pressing the REVIEW button again while the track number is flashing will continue the review sequence, showing the next memorized track. Continue pressing the REVIEW button to see the complete memorized track list.

If you do not press the REVIEW button while the track number is flashing, the review process is terminated and the unit resumes whatever mode it was in before you started to review, except that the last reviewed track number will remain active and shown in the display.

Note that you may remove a selection from the play list during the review procedure using the CLEAR button, as described below.

CLEAR Button **I**

(remote only)

This button allows you to remove a track selection from the memorized program play list during the review procedure described above. Follow the review procedure until the desired track number is flashing. Then, instead of pressing the REVIEW button to continue, remove the displayed track by pressing the CLEAR button while the number is still flashing. You may then continue the review procedure.

RANDOM Button **6 D**

This instructs the CD player to play tracks from the entire disc in random order. Once all of the selections have been played once, the disc will stop playing, unless the REPEAT Button (see below) has been engaged, in which case the random play will continue until the STOP button is pressed. When the RANDOM button is engaged, the word RANDOM appears in the Display.

REPEAT Button **10 C**

This button, labeled REPT allows you to repeat the current track or the entire disc continuously until the feature is cancelled by disengaging the REPEAT button or pressing STOP. The REPEAT button steps sequentially through the available options. Press the button once and the RCD-1070 will repeat just the current track, displaying the indicators REPEAT 1 in the Display. Press the button a second time and the RCD-1070 will repeat the entire disc, displaying REPEAT ALL in the Display. Press the button a third time to cancel the REPEAT function.

As noted above, REPEAT can be used in conjunction with the RANDOM play feature.

Note: The REPEAT function is automatically cancelled when the disc drawer is opened.

SCAN Button **12 E**

This feature automatically plays the first ten seconds of each track on the disc (or the memorized program). To activate the feature, press the SCAN button. The word INTRO appears in the Display. To stop scanning and resume normal operation at the current track, press the SCAN button again or press the PLAY button.

TIME Button **13 G**

Normally, the RCD-1070 displays the elapsed time of the currently playing track. The TIME button allows you to step through two alternative time displays. Pressing the button once displays the time remaining in the current track, which counts down as the track continues playing. Pressing the button a second time displays the time remaining on the entire disc (or memorized program). Pressing the button a third time reverts to the standard elapsed time display. When the TIME feature is activated, the word REMAIN appears in the Display.

Troubleshooting

Most difficulties in audio systems are the result of incorrect connections, or improper control settings. If you encounter problems, isolate the area of the difficulty, check the control settings, determine the cause of the fault and make the necessary changes. If you are unable to get sound from the RCD-1070, refer to the suggestions for the following conditions:

Power Indicator Is Not Lit

The Power Indicator and the basic items in the Display window should be lit whenever the RCD-1070 is plugged into the wall power outlet and the Power button is pushed in. If it does not light, test the power outlet with another electrical device, such as a lamp. Be sure the power outlet being used is not controlled by a switch that has been turned off.

Fuse Replacement

If another electrical device works when plugged into the power outlet, but the Power Indicator and the Display still will not light when the RCD-1070 is plugged into the wall outlet, it indicates that the internal power fuse may have blown. If you believe this has happened, contact your authorized Rotel dealer to get the fuse replaced.

No Sound

Check the cables between the RCD-1070 and the amplifier inputs to be sure they are connected properly. Be sure the amplifier input that the RCD-1070 is selected. Be sure the tape monitor system of the amplifier has not been activated. Check the wiring between the amplifier and the speakers.

Specifications

| | |
|---|---|
| Total Harmonic Distortion + Noise | 0.0045% @ 1kHz |
| Intermodulation Distortion | 0.0045% @ 1kHz |
| Frequency Response (± 0.5 dB) | 20-20,000 Hz |
| Channel Balance | ± 0.5 dB |
| Phase Linearity | ± 0.5 degree |
| Channel Separation | > 98 dB @ 1kHz |
| Signal to Noise Ratio | > 100dB |
| Dynamic Range | > 96 dB |
| Digital to Analog Converters | 18 bit equivalent, multi-level Delta-Sigma DAC with 8x oversampling digital filter and HDCD |
| Speed Accuracy, Wow & Flutter | Quartz Crystal Precision |
| Output Impedance | 100 Ohms |
| Digital Output | 0.5 Volt, Peak to Peak |
| Load Impedance | 75 Ohms |
| Power Requirements | |
| USA Version | AC 115V, 60 Hz |
| European Version: | AC 230V, 50 Hz |
| Power Consumption | 20 Watts |
| Dimensions (W, H, D) | 17 x 3 ¹¹ / ₁₆ x 13 ¹ / ₄ inches 432 x 93 x 337 mm |
| Front Panel Height (for rack mount) | 3 ⁵ / ₃₂ inches, 80 mm |
| Weight (net) | 5.8 kg, 12.8 lb. |

All specifications are accurate at the time of printing. Rotel reserves the right to make improvements without notice.

Rotel and the Rotel HiFi logo are registered trademarks of The Rotel Co, Ltd., Tokyo, Japan.

 HDCD[®] High Definition Compatible Digital[®] and Pacific Microsonics[™] are either registered trademarks or trademarks of Pacific Microsonics, Inc, in the United States and /or other countries.

ATTENTION : Pour réduire le risque d'électrocution, ne pas retirer le capot. Il n'y a à l'intérieur aucune pièce susceptible d'être modifiée par l'utilisateur. En cas de problème, adressez-vous à un réparateur agréé.

ATTENTION :

Il n'y a à l'intérieur aucune pièce susceptible d'être modifiée par l'utilisateur. Adressez-vous impérativement à une personne qualifiée.

ATTENTION :

Prenez garde à ce qu'aucun objet ou liquide ne tombe à l'intérieur de l'appareil par ses orifices de ventilation ; Si l'appareil est exposé à l'humidité ou si un objet tombe à l'intérieur, couper immédiatement l'alimentation secteur de tous les appareils. Débrancher l'appareil des autres maillons, et adressez-vous immédiatement et uniquement à une personne qualifiée et agréée.

Lisez les instructions de ce manuel avant d'effectuer le moindre branchement et de faire fonctionner l'appareil. Conservez soigneusement ce livret pour le consulter à nouveau pour de futures références.

Tous les conseils de sécurité contenus dans ce manuel doivent être soigneusement respectés. Respectez les procédures d'installation et de fonctionnement.

L'appareil doit être nettoyé uniquement avec un chiffon sec ou un aspirateur.

L'appareil doit être placé de telle manière qu'il existe un espace d'au moins 10 cm tout autour de lui. Par exemple, il ne doit pas être posé sur un fauteuil, un canapé, une couverture ou toute autre surface susceptible de boucher ses orifices d'aération ; ou placé dans un meuble empêchant la bonne circulation d'air autour des orifices d'aération.

Cet appareil doit être placé loin de toute source de chaleur, tels que radiateurs, chaudières, bouches de chaleur ou d'autres appareils (y compris amplificateurs de puissance) produisant de la chaleur.

Cet appareil doit être branché sur une prise d'alimentation secteur, d'une tension et d'un type conformes à ceux qui sont indiqués sur la face arrière de l'appareil.

Brancher l'appareil uniquement grâce au cordon secteur fourni, ou à un modèle équivalent. Ne pas tenter de modifier ou changer la prise. Notamment, ne pas tenter de supprimer la prise de terre si celle-ci est présente. Ne pas utiliser de cordon rallonge.

Prendre garde à ce que ce cordon d'alimentation ne soit pas pincé, écrasé ou détérioré sur tout son trajet, à ce qu'il ne soit pas mis en contact avec une source de chaleur. Vérifier soigneusement la bonne qualité des contacts, à l'arrière de l'appareil comme dans la prise murale.

Si l'appareil ne doit pas être utilisé pendant une longue période, la prise secteur sera débranchée.

L'appareil doit être immédiatement éteint, débranché puis retourné au service après-vente agréé dans les cas suivants :

- Un objet est tombé, ou du liquide a coulé à l'intérieur de l'appareil.
- L'appareil a été exposé à la pluie.
- L'appareil ne fonctionne pas normalement, ou ses performances sont anormalement limitées.
- L'appareil est tombé, ou le coffret est endommagé.

Installer l'appareil sur une surface plane, solide et rigide. Ne jamais placer l'appareil sur une surface ou un support mobile pouvant basculer.



Sommaire

| | |
|---|-----------|
| Figure 1: Commandes et branchements | 3 |
| Figure 2: Télécommande RR-D94 | 3 |
| Figure 3: Sorties analogiques | 4 |
| Figure 4: Sorties numériques | 4 |
| Au sujet de Rotel | 11 |
| Démarrage | 11 |
| Quelques précautions | 11 |
| Installation | 11 |
| Identification des commandes | 11 |
| Alimentation électrique et mise en service 11 | |
| Prise d'alimentation secteur 22 | 11 |
| Interrupteur de mise sous tension 1 et indicateur Power 2 | 12 |
| Branchements en sortie | 12 |
| Sorties analogiques 19 | 12 |
| Sortie numérique 20 | 12 |
| Entrée commutation " trigger " 12 V 21 | 12 |
| Fonctionnement | 12 |
| Télécommande infrarouge et capteur 9 | 12 |
| Afficheur 8 | 12 |
| Tiroir du disque 7 | 12 |
| Commandes du transport du disque | 12 |
| Touche d'ouverture/fermeture OPEN/CLOSE 14 A | 12 |
| Touches de lecture PLAY 15 M | 13 |
| Touche STOP 16 F | 13 |
| Touche PAUSE 17 N | 13 |
| Touches d'accès par plage TRACK 18 L | 13 |
| Touche d'accès direct DIRECT ACCESS B | 13 |
| Touches de recherche SEARCH 11 K | 13 |
| Fonctions additionnelles | 13 |
| HDCD® 3 | 13 |
| Touche de programmation PROGRAM 4 J | 13 |
| Touche de vérification de la programmation REVIEW 5 I | 14 |
| Touche d'effacement CLEAR H | 14 |
| Touche de lecture aléatoire RANDOM 6 D | 14 |
| Touche de répétition REPEAT 10 C | 14 |
| Touche de balayage des introductions SCAN 12 E | 14 |
| Touche d'affichage des durées TIME 13 G | 15 |
| Problèmes de fonctionnement | 15 |
| L'afficheur ne s'allume pas | 15 |
| Remplacement du fusible | 15 |
| Pas de son | 15 |
| Spécifications | 15 |

Au sujet de Rotel

C'est une famille de passionnés de musique qui a fondé Rotel, il y a maintenant quarante ans. Pendant toutes ces années, leur passion ne s'est jamais éteinte et tous les membres de la famille se sont toujours battus pour fabriquer des appareils présentant un exceptionnel rapport musicalité-prix, suivis en cela par tous les employés.

Les ingénieurs travaillent toujours en équipe réduite, écoutant et peaufinant soigneusement chaque appareil pour qu'il corresponde parfaitement à leurs standards musicaux. Ils sont libres de choisir n'importe quels composants dans le monde entier, uniquement en fonction de leur qualité. C'est ainsi que vous trouvez dans les appareils Rotel des condensateurs britanniques ou allemands, des transistors japonais ou américains, tandis que tous les transformateurs toriques sont directement fabriqués dans une usine Rotel.

L'excellente réputation musicale des appareils Rotel a été saluée par la plupart des magazines spécialisés ; ils ont reçu d'innombrables récompenses, et sont choisis par de nombreux journalistes critiques du monde entier, parmi les plus célèbres, ceux qui écoutent de la musique quotidiennement. Leurs commentaires restent immuables : Rotel propose toujours des maillons à la fois musicaux, fiables et abordables.

Mais plus que tout, Rotel vous remercie pour l'achat de cet appareil, et souhaite qu'il vous apporte de nombreuses heures de plaisir musical.

Démarrage

Nous vous remercions pour l'acquisition de ce lecteur de CD Rotel RCD-1070. Son mécanisme de transport du disque de haute précision est parfaitement épaulé par un convertisseur numérique/analogique Delta Sigma, de type 18 bits, à suréchantillonnage 8 fois et circuit HDCD®. Ces caractéristiques, associées à notre traditionnelle philosophie d'équilibre "Balanced Design", permettent au RCD-1070 de fournir le degré de performances musicales le plus élevé possible. Utilisé au sein d'un système Haute Fidélité de très grande qualité, il vous assure des heures de plaisir musical.

Quelques précautions

Veuillez lire très soigneusement ce manuel d'utilisation. Il vous indique tout ce qu'il faut savoir pour intégrer parfaitement ce lecteur de CD RCD-1070 dans votre chaîne, et comment en tirer les performances optimales. Si vous vous posez ensuite encore des questions, veuillez contacter votre revendeur agréé Rotel, qui se fera un plaisir d'y répondre.

Conservez le carton d'emballage et tous ses composants. Il constitue le meilleur moyen pour transporter l'appareil dans le futur, sans risque de détérioration. Sans cet emballage d'origine, la garantie ne pourrait s'appliquer.

Conservez la facture d'achat et renvoyez le bon d'enregistrement fourni avec l'appareil. Vous avez ainsi la preuve de la date d'achat, qui vous sera utile dans le cas où il serait nécessaire de faire jouer la garantie.

Installation

Nous vous recommandons d'installer le RCD-1070 de manière logique, de préférence dans un meuble spécialement destiné aux appareils hi-fi. Évitez de le placer sur un autre maillon dégageant beaucoup de chaleur ou de parasites, tel un amplificateur de puissance. Pour obtenir des performances optimales, éloignez-le aussi de toute source de vibration, comme les enceintes acoustiques par exemple.

Identification des commandes

La couverture de ce manuel d'utilisation possède un volet replié qui contient les illustrations des faces avant et arrière de l'appareil et de la télécommande RR-D94. Chaque élément de ces illustrations est identifié par un numéro ou une lettre dans un cadre grisé. Tout au long de ce manuel, ces mêmes commandes sont clairement identifiées par ces mêmes numéros ou lettres. Les commandes de l'appareil sont repérées par un numéro, comme **1**. Les commandes de la télécommande sont repérées par une lettre, comme **A**.

Alimentation électrique et mise en service

Prise d'alimentation secteur **22**

Le lecteur de CD RCD-1070 est configuré en usine, sa tension correcte étant indiquée sur sa face arrière (115 ou 230 volts, 50 ou 60 Hz).

Note : Si vous devez déménager dans un autre pays, il est possible de modifier la tension d'alimentation de votre appareil. Cette modification est exclusivement réalisée en usine : demandez conseil à un revendeur agréé Rotel. Il n'y a pas de pièces susceptibles d'être modifiées ou de commandes à l'intérieur du coffret. Ne pas enlever son capot : vous risqueriez l'électrocution. Cela peut également endommager les circuits internes, et annuler la garantie.

Le RCD-1070 doit être branché dans une prise murale deux broches. Nous vous déconseillons d'utiliser un câble rallonge.

Avant le branchement, vérifiez que le bouton de mise sous tension en face avant est bien en position "Out". Puis branchez le cordon secteur dans la prise murale.

Si vous quittez votre domicile pendant une longue période (un mois ou plus), débranchez la prise d'alimentation secteur (de même que celles des autres maillons audio et vidéo).

Le logo **HDCD**® et le nom **HDCD**®, **High Definition Compatible Digital**® et **Pacific Microsonics**™ sont des marques déposées ou la marque de Pacific Microsonics, Inc., pour les États-Unis comme le monde entier. Le système **HDCD** est fabriqué sous licence de Pacific Microsonics, Inc. Ce système est couvert par les brevets suivants : 5,479,168, 5,638,074, 5,640,161, 5,808,574, 5,838,274, 5,854,600, 5,872,531 aux États-Unis, et 669 114 en Australie. Autres brevets en cours.

Interrupteur de mise sous tension 1 et indicateur Power 2

L'interrupteur de mise sous tension sur la face avant de l'appareil. Pour allumer le lecteur de CD, pressez la touche Power. Lorsque l'appareil est effectivement sous tension, la diode Power et l'afficheur s'allument. Une seconde pression sur cet interrupteur éteint l'appareil.

Note : si vous utilisez une prise de renvoi secteur (en face arrière d'un autre appareil) pour alimenter le RCD-1070, vous devez laisser le bouton de mise sous tension de ce dernier toujours sur " On ". La mise sous tension effective se fera alors par l'appareil qui alimente le RCD-1070.

Branchements en sortie

Le RCD-1070 vous laisse le choix entre une sortie analogique stéréophonique traditionnelle, et une sortie numérique. La sortie analogique utilise un convertisseur numérique/analogique intégré dans le RCD-1070, permettant le branchement direct sur n'importe quel préamplificateur ou amplificateur intégré. La sortie numérique délivre un signal numérique non traité, destiné à être utilisé avec un convertisseur numérique/analogique ou un processeur externe.

Note : pour éviter tout bruit parasite que n'apprécieraient ni les enceintes acoustiques ni vos oreilles, toujours éteindre le système avant d'effectuer des branchements sur celui-ci.

Sorties analogiques 19

[Voir la figure 3 pour le câblage correspondant]

Une paire de prises Cinch-RCA traditionnelles fournit le signal stéréo en provenance du RCD-1070 pour les entrées correspondantes repérées " CD " d'un préamplificateur, amplificateur intégré ou ampli-tuner. Choisissez des câbles de liaison de la meilleure qualité possible. Respectez bien le branchement : canal gauche sur canal gauche (couleur noire ou blanche), et canal droit sur canal droit (couleur rouge).

Sortie numérique 20

[Voir la figure 4 pour le câblage correspondant]

Si vous désirez utiliser le RCD-1070 avec un convertisseur numérique/analogique ou un processeur externe, vous devez utiliser cette sortie numérique. Ce signal est donc fourni en face arrière de l'appareil. Il est au standard coaxial par prise RCA, nécessitant un câble de liaison 75 ohms pour la liaison avec l'entrée numérique du convertisseur externe.

Entrée commutation " trigger " 12 V 21

Le RCD-1070 peut être allumé via un signal de commutation " trigger " de 12 volts. Cette entrée accepte en fait n'importe quelle tension continue ou alternative comprise entre 3 et 30 volts. Lorsqu'un câble est branché sur l'entrée " trigger " et qu'une tension de cette valeur est réellement présente, le RCD-1070 s'allume. Lorsque la tension disparaît, l'appareil se remet automatiquement en mode de veille Standby. L'indicateur de la face avant reste allumé, mais l'afficheur s'éteint et l'appareil n'est plus actif.

Note : Lorsque vous utilisez cette possibilité d'allumage " trigger ", toujours laisser la touche de mise sous tension POWER enclenchée (position ON).

Fonctionnement

Le RCD-1070 peut être utilisé à partir des commandes de sa face avant, ou à partir des touches correspondantes de la télécommande infrarouge fournie. Les instructions spécifiques pour toutes ces commandes sont données ci-dessous. La plupart des touches sont doublées sur la façade et la télécommande. Cependant, il y en a certaines qui ne sont disponibles que sur l'une ou sur l'autre. Ces exceptions sont notées dans les instructions.

Télécommande infrarouge et capteur 9

Avant d'utiliser la télécommande, il est nécessaire d'y installer les deux piles type " UM-4/AAA " fournies. Ôtez le couvercle en plastique au dos de la télécommande, installez les piles (en respectant bien la polarité " + " et " - ") et réinstallez le couvercle.

Pour bien utiliser la télécommande, dirigez-la vers le capteur IR 9 situé dans l'angle inférieur gauche de la face avant du RCD-1070.

Afficheur 8

Un afficheur éclairé, sur la façade du RCD-1070, donne en permanence toutes les informations souhaitables sur son mode de fonctionnement, l'activation ou non de certaines fonctions spéciales, les indications de plage en lecture/durée du disque lu. Chacun de ces indicateurs est décrit en détail dans les paragraphes suivants.



Tiroir du disque 7

Un tiroir au déplacement motorisé, placé au centre de la façade, s'ouvre pour recevoir le disque compact et se ferme pour le lire. Placez le disque à l'intérieur, étiquette vers le haut. Assurez-vous que le disque est correctement centré dans le réceptacle du tiroir ; Le tiroir peut être refermé de deux manières : soit en pressant la touche repérée OPN/CLOSE, soit en pressant la touche de lecture PLAY.

Commandes du transport du disque

Ces touches permettent d'effectuer les opérations de base pour le fonctionnement du mécanisme du lecteur de CD. Sauf lorsque cela est précisé, toutes ces fonctions sont accessibles au choix à partir de la face avant du RCD-1070 ou à partir de la télécommande (voir les numéros).

Touche d'ouverture/fermeture OPEN/CLOSE 14 A

Lorsque le tiroir du disque est fermé, une pression sur cette touche l'ouvre automatiquement. Pour refermer le tiroir, pressez de nouveau sur cette touche. Le tiroir peut également être refermé en pressant la touche de lecture PLAY.

Lorsque le tiroir est ouvert, l'afficheur indique " OPEN " (ouvert) ; S'il est fermé et qu'aucun disque ne se trouve à l'intérieur, il indique " NO DISC " (Pas de disque). Lorsqu'il est refermé avec un disque à l'intérieur, l'afficheur indique le nombre de pistes présentes sur ce disque, ainsi que la durée totale de lecture exprimée en minutes et secondes.

Touches de lecture PLAY **15 M**

Pressez la touche de lecture PLAY pour démarrer la lecture du disque. Si le tiroir est ouvert, il se ferme alors automatiquement. Le numéro de la piste en cours de lecture et la durée écoulée depuis le début sont indiqués dans l'afficheur, en même temps que l'indication "PLAY". Normalement, la lecture débute sur la première piste (page). Cependant, vous pouvez aussi sélectionner une autre piste en utilisant les touches repérées TRACK ou DIRECT ACCESS (voir plus bas), avant de presser la touche PLAY.

Touche STOP **16 F**

Cette touche stoppe la lecture du disque et remet le lecteur "à zéro" : par exemple, si la lecture est arrêtée, elle repartira ensuite de la première piste. Pressez deux fois de suite la touche STOP permet également d'effacer tous les programmes éventuellement mis en mémoire au préalable (voir plus bas).

Touche PAUSE **17 N**

Cette touche est utilisée pour arrêter temporairement la lecture. Le disque continue à tourner, et la lecture pourra être reprise à l'endroit où elle a été arrêtée. L'indicateur PAUSE s'allume dans l'afficheur. Pour reprendre la lecture, pressez de nouveau sur la touche PAUSE ou pressez la touche PLAY.

Touches d'accès par page TRACK **18 L**

Ces touches sont utilisées pour sélectionner des pages particulières sur le disque. Le disque étant en lecture, une pression sur la touche de droite repérée TRACK permet d'avancer au début de la page suivante. Une pression sur la touche TRACK de gauche revient au début de la page en lecture. Deux pressions successives rapides sur cette même touche permettent de revenir au début de la page précédente. À chaque fois, le nouveau numéro de page apparaît dans l'afficheur.

Ces touches permettent également de sélectionner un numéro précis de page avant de débiter la lecture en pressant la touche PLAY, ou encore pour mettre en mémoire des pages lors d'une programmation PROGRAM (voir plus loin). Ces sélections sont faites en pressant plusieurs fois les touches TRACK jusqu'à ce que le numéro de page voulu soit atteint.

En mode de programmation PROGRAM, les touches TRACK permettent aussi de passer à la page précédente ou suivante de la programmation, par rapport à celle en lecture.

Touche d'accès direct DIRECT ACCESS **B**

(Télécommande uniquement)

Ces onze touches (repérées de 1 à 10 et > 10) constituent un clavier numérique permettant de taper directement le numéro d'une page, à partir de la télécommande, plutôt que de faire défiler les numéros de pages avec les touches TRACK.

Les dix premières pages d'un disque peuvent être sélectionnées directement en tapant simplement leur numéro. Par exemple, pour écouter la page n°3, pressez simplement la touche "3" sur la télécommande.

Pour accéder à des numéros de page supérieurs à 10, pressez tout d'abord la touche repérée "> 10" avant celle du numéro réel de la page. Par exemple, pour sélectionner la page n°12, pressez successivement les touches repérées "> 10", "1" et "2".

Le numéro sélectionné apparaît alors au centre de l'afficheur.

À la droite de l'afficheur, apparaît également une matrice 4 par 4 des numéros de pages (1-16) : elle indique le nombre total de pages contenues sur le disque ; Si celui-ci contient plus de 16 pages, tous les chiffres s'allument, ainsi que l'inscription "OVER" (nombre dépassé), quelle que soit la page en cours de lecture. Cette matrice est toujours indépendante de l'afficheur central principal, qui lui indique en permanence le numéro de page en lecture, même si celui-ci est supérieur à 16.

Le clavier numérique DIRECT ACCESS peut également être utilisé pour mettre en mémoire des pages lors d'une programmation PROGRAM (voir plus bas).

Touches de recherche SEARCH **11 K**

Ces touches permettent de faire défiler le disque à vitesse accélérée, vers l'avant ou vers l'arrière, pendant tout le temps où elles sont pressées. Vous entendez alors un son correspondant à la musique "accélérée" ; Le fait de relâcher ces touches permet de revenir automatiquement à la vitesse de lecture normale.

Fonctions additionnelles

Ces fonctions supplémentaires ajoutent encore au plaisir et à la facilité d'utilisation du RCD-1070, avec notamment possibilité de bénéficier des avantages des CD codés selon le principe HDCD®, programmation de certaines pages dans l'ordre voulu, de répéter un disque entier, une programmation, de lire les pages d'un disque en ordre aléatoire, de lire automatiquement les dix premières secondes de chaque page, et enfin de sélectionner plusieurs informations différentes de durée pour affichage.

HDCD® **3**

Les disques de type HDCD sont codés avec un flux numérique haute densité. Durant la lecture, ce flux numérique haute densité est décodé pour redevenir un signal numérique conventionnel. Ce principe de gravure haute densité réduit énormément les risques d'erreurs généralement constatées pendant les étapes de conversion tant analogique/numérique que numérique/analogique. Les disques encodés HDCD sont identifiés par un logo correspondant sur leur jaquette.

Aucune intervention de l'utilisateur n'est nécessaire pour la lecture d'un disque HDCD. Le circuit HDCD est automatiquement activé par le lecteur après détection. Le voyant HDCD s'allume dès qu'un disque codé HDCD est détecté.

Touche de programmation PROGRAM **4 J**

Cette touche, repérée "PROG", vous permet de mettre en mémoire jusqu'à 20 pages présentes sur le même disque en lecture, dans un ordre voulu. Par exemple, vous pouvez demander au RCD-1070 de lire d'abord la page 5, suivie par la page 3, suivie par la page 8, etc. Pour effectuer une telle programmation :

1. Insérez un disque et pressez la touche OPEN/CLOSE pour fermer le tiroir. Le RCD-1070 va lire le contenu du disque (nombre de pages, durée, etc.)
2. Pressez la touche PROGRAM sur la façade ou la télécommande. L'indicateur PROGRAM s'allume sur l'afficheur, suivi de la mention "P:00" indiquant que l'appareil est prêt à mettre en mémoire la première page à mémoriser.

3. Pour programmer les plages à partir de la télécommande, entre le numéro de la première plage en utilisant le clavier numérique DIRECT ACCESS. Votre sélection est alors automatiquement mise en mémoire, et l'afficheur change pour devenir " P :01 ", indiquant que la première plage a bien été mémorisée. Continuez à entrer les autres plages désirées via le clavier numérique. Notez qu'il est inutile de presser la touche PROGRAM après chaque nouvelle sélection.
4. Pour programmer les plages à partir des commandes de la face avant du RCD-1070, utilisez les touches TRACK ; Le numéro de plage en cours de sélection clignote pendant trois secondes sur l'afficheur. Pour le mettre réellement en mémoire, pressez la touche PROGRAM ; Si vous attendez trop et que le clignotement cesse, la plage correspondante ne peut plus être mise en mémoire ; il faut alors réutiliser les touches TRACK pour revenir sur ce numéro de plage. Procédez ainsi pour toutes les plages souhaitées, en pressant la touche PROGRAM à chaque fois pour rendre une sélection effective.

Une fois que votre liste de lecture est mémorisée, le RCD-1070 restera dans ce mode de programmation, avec le programme mémorisé jusqu'à ce que vous ouvriez le tiroir ou que vous pressiez la touche STOP deux fois de suite ; si vous pressez la touche de lecture PLAY, c'est le programme mémorisé qui sera lu, démarrant sur la première plage réellement mise en mémoire.

Lorsqu'un programme a été mémorisé, la plupart des autres fonctions de l'appareil ne s'appliquent plus qu'aux plages effectivement mémorisées, et non sur le disque entier. Par exemple, les touches TRACK permettent de passer sur les plages précédente ou suivante uniquement mémorisées, et pas sur les plages suivante et précédente du disque. De même, la fonction de répétition REPEAT (voir plus bas) répète le programme, et pas le disque entier.

Touche de vérification de la programmation REVIEW **5** **1**

Cette touche repérée REVIEW permet de revoir le programme que l'on vient de mettre en mémoire en mode PROGRAM. Pressez cette touche et le numéro de la première plage mise en mémoire apparaît dans l'afficheur, clignotant pendant environ 5 secondes. Une seconde pression sur la touche REVIEW et la plage mémorisée suivante s'affiche dans les mêmes conditions. Vous pouvez ainsi faire défiler toutes les plages mises en mémoire.

Si vous ne pressez plus la touche REVIEW alors que le numéro de plage affiché clignote, le processus de vérification cesse automatiquement, et l'appareil se remet dans le mode de fonctionnement qui était le sien avant que vous ne procédiez à cette vérification, sauf si c'était le dernier numéro de plage mémorisé, qui reste actif et visible dans l'afficheur.

Notez que vous pouvez éliminer une plage programmée pendant cette vérification, en pressant simplement la touche d'effacement CLEAR, comme indiqué dans le paragraphe suivant.

Touche d'effacement CLEAR **H**

(télécommande uniquement)

Cette touche vous permet de retirer une plage d'un programme précédemment mémorisé, durant la vérification de la programmation décrite au paragraphe précédent. Suivez la procédure de vérification jusqu'à ce que le numéro de la plage voulue clignote dans l'afficheur. Puis, au lieu de presser la touche REVIEW pour continuer la vérification, pressez la touche CLEAR pendant que le numéro clignote encore. Vous pouvez ensuite reprendre normalement la procédure de vérification.

Touche de lecture aléatoire RANDOM **6** **D**

Cette fonction permet au RCD-1070 de lire le contenu entier du disque, mais dans un ordre aléatoire ; Lorsque toutes les plages auront été lues dans cet ordre imprévisible, la lecture s'arrêtera, à moins que vous n'ayez aussi pressé la touche de répétition REPEAT (voir le paragraphe suivant). Dans ce cas, la lecture continuera indéfiniment jusqu'à ce que vous pressiez la touche STOP. Lorsque cette fonction est activée, le mot " RANDOM " apparaît sur l'afficheur.

Touche de répétition REPEAT **10** **C**

Cette touche vous permet de répéter la plage en cours de lecture, ou le disque en entier, indéfiniment, jusqu'à ce que vous désactiviez cette fonction, soit en pressant à nouveau la touche REPEAT, soit en pressant la touche STOP. Les pressions sur la touche REPEAT fonctionnent de manière cyclique pour choisir parmi ses différentes options. Pressez la touche REPEAT une seule fois, et l'appareil ne répétera que la plage en cours de lecture. L'indication " REPEAT 1 " apparaît alors dans l'afficheur. Pressez la touche REPEAT une seconde fois, et le RCD-1070 répétera le disque en entier. L'indication " REPEAT ALL " apparaît cette fois dans l'afficheur. Une troisième pression sur la touche REPEAT annule toutes les fonctions de répétition.

Comme déjà précisé, la fonction de répétition REPEAT peut être utilisée en association avec la fonction de lecture en mode aléatoire RANDOM.

Note : la fonction REPEAT est automatiquement annulée lorsque le tiroir du disque est ouvert.

Touche de balayage des introductions SCAN **12** **E**

Cette fonction permet de lire automatiquement les dix premières secondes de chaque plage du disque (ou de la programmation mise en mémoire). Pour activer cette fonction, pressez la touche repérée SCAN. Le mot " INTRO " apparaît alors dans l'afficheur ; pour arrêter ce balayage des introductions, et revenir à un fonctionnement normal du lecteur sur la piste en cours, pressez de nouveau la touche SCAN ou pressez la touche PLAY.

Touche d'affichage des durées TIME

Normalement, l'afficheur du RCD-1070 indique la durée écoulée de lecture de la plage en cours. Toutefois, la touche repérée TIME vous permet de choisir deux autres modes d'affichage de durée. Une première pression sur la touche TIME affiche le temps de lecture restant sur la plage en cours, avec un compte à rebours visible pendant cette lecture. Une seconde pression sur TIME affiche cette fois le temps restant pour la lecture du disque en entier (ou du programme mémorisé dans son entier). Une troisième pression sur TIME fait revenir à l'affichage d'origine. Lorsqu'une des deux fonctions supplémentaires du mode d'affichage est choisie, le mot "REMAIN" (temps restant) apparaît dans l'afficheur.

Problèmes de fonctionnement

La majorité des problèmes dans une chaîne haute-fidélité provient de mauvais branchements, ou de sélecteurs ou commandes mal positionnés. En cas de difficulté, essayez de cerner le problème (quelle source, quel canal, etc.), vérifiez la position des différents interrupteurs et sélecteurs et effectuez les modifications nécessaires. Si vous ne parvenez toujours pas à faire fonctionner correctement le RCD-1070, vérifiez plus particulièrement les points suivants :

L'afficheur ne s'allume pas

Les indicateurs permanents de l'afficheur doivent s'allumer lorsque le RCD-1070 est mis sous tension. Si ce n'est pas le cas, testez la prise d'alimentation secteur avec un autre appareil électrique (par exemple, une lampe de chevet). Soyez sûr que la prise utilisée n'est pas une prise commutée, c'est-à-dire active uniquement si un autre appareil est mis sous tension.

Remplacement du fusible

Si l'afficheur ne s'allume toujours pas alors que tout est par ailleurs normal, le fusible de protection interne du RCD-1070 a peut-être fondu. Veuillez dans ce cas contacter votre revendeur agréé Rotel qui se chargera de le vérifier et éventuellement de le changer.

Pas de son

Vérifiez que le sélecteur d'écoute de l'amplificateur ou préamplificateur est bien positionné sur la source CD. Vérifiez que la fonction tape Monitor n'est pas activée. Vérifiez, s'il y a lieu, que l'amplificateur de puissance est bien branché, allumé, et fonctionne correctement. Vérifiez une fois encore tous les câbles entre le RCD-1070 et l'amplificateur intégré ou le préamplificateur. Vérifiez aussi les câbles entre l'amplificateur et les enceintes acoustiques.

Spécifications

| | |
|--|---|
| Distorsion harmonique totale + bruit | 0,0045 % @ 1 kHz |
| Distorsion d'intermodulation | 0,0045 % |
| Réponse en fréquence (± 0,5 dB) | 20 - 20 000 Hz |
| Balance entre les canaux | ± 0,5 dB |
| Linéarité de phase | ± 0,5° |
| Séparation des canaux | > 98 dB @ 1 kHz |
| Rapport signal/bruit | > 100 dB |
| Gamme dynamique | > 96 dB |
| Convertisseurs numérique/analogique | 18 bits, Delta Sigma multi niveaux avec suréchantillonnage 8 fois et circuit HDCD |
| Précision de vitesse, pleurage et scintillement | Précision du cristal de quartz |
| Impédance de sortie | 100 ohms |
| Sortie numérique | 0,5 V, crête-à-crête |
| Impédance de charge | 75 ohms |
| Alimentation | |
| Version USA | 115 V CA 50/60 Hz (USA) ou |
| Version Europe | 230 V CA 50/60 Hz (Europe) |
| Consommation maximum | 20 watts |
| Dimensions (L x H x P) | 432 x 93 x 337 mm |
| Hauteur de la façade (pour montage en rack) | 80 mm |
| Poids | 5,8 kg |

Toutes les spécifications sont certifiées exactes au moment de l'impression. Rotel se réserve le droit d'améliorer les performances sans préavis.

Rotel et le logo Rotel HiFi sont des marques déposées de The Rotel CO., Ltd., Tokyo, Japon

Le logo HDCD®, les marques High Definition Compatible Digital et Pacific Microsonics™ sont toutes des marques déposées ou la propriété de Pacific Microsonics, Inc, pour les États-Unis et/ou les autres pays.

WICHTIGER HINWEIS FÜR LASERGERÄTE

1. **LASERPRODUKT DER KLASSE 1**
2. **GEFAHR:** Bei geöffnetem Gerät setzen Sie sich sichtbarer Laserstrahlung aus. Vermeiden Sie dies.
3. **VORSICHT:** Öffnen Sie auf keinen Fall den Gehäusedeckel. Im Innern befinden sich keine vom Bediener zu wartenden Teile. Überlassen Sie Reparaturarbeiten ausschließlich qualifiziertem Servicepersonal.

WARNUNG!

Um der Gefahr eines elektrischen Schlages, Feuer usw. vorzubeugen:

1. Entfernen Sie weder Schrauben, Abdeckungen noch das Gehäuse.
2. Setzen Sie das Gerät weder Regen noch Feuchtigkeit aus.
3. Berühren Sie weder das Netzkabel noch den Stecker mit nassen Händen.

Bitte lesen Sie sich die Bedienungsanleitung vor Gebrauch des Gerätes genau durch. Sie enthält wichtige Sicherheitsvorschriften, die unbedingt zu beachten sind! Bewahren Sie die Bedienungsanleitung so auf, daß sie jederzeit zugänglich ist.

WARNUNG: Außer den in der Bedienungsanleitung beschriebenen Handgriffen sollten vom Bediener keine Arbeiten am Gerät vorgenommen werden. Das Gerät ist ausschließlich von einem qualifizierten Fachmann zu öffnen und zu reparieren.

WARNUNG: Dieses Gerät darf nur in trockenen Räumen betrieben werden. Um die Gefahr von Feuer oder eines elektrischen Schlages auszuschließen, dürfen keine Flüssigkeiten oder Fremdkörper in das Gerät gelangen. Sollte dieser Fall trotzdem einmal eintreten, trennen Sie das Gerät sofort vom Netz ab. Lassen Sie es von einem Fachmann prüfen und die notwendigen Reparaturarbeiten durchführen.

Befolgen Sie alle Warn- und Sicherheitshinweise in der Bedienungsanleitung und auf dem Gerät.

Dieses Gerät sollte, wie andere Elektrogeräte auch, nicht unbeaufsichtigt betrieben werden.

Ist das Gerät z.B. während des Transports über längere Zeit Kälte ausgesetzt worden, so warten Sie mit der Inbetriebnahme, bis es sich auf Raumtemperatur erwärmt hat und das Kondenswasser verdunstet ist.

Um das Gerät sollte ein Freiraum von 10 cm vorhanden sein. Stellen Sie es daher weder auf ein Bett, Sofa, Teppich oder ähnliche Oberflächen. Ferner sollte es nicht an einem Ort aufgestellt werden, an dem keine ausreichende Luftzufuhr gegeben ist, zum Beispiel in einem engen Regalfach oder in einem Einbauschränk.

Stellen Sie das Gerät nicht in die Nähe von Wärmequellen (Heizkörper, Wärmespeicher, Öfen oder sonstige wärmeerzeugende Geräte).

Bevor Sie das Gerät in Betrieb nehmen, prüfen Sie, ob die Betriebsspannung mit der örtlichen Netzspannung übereinstimmt. Die Betriebsspannung ist an der Rückseite des Gerätes angegeben.

Schließen Sie das Gerät nur mit dem dazugehörigen zweipoligen Netzkabel an die Wandsteckdose an. Modifizieren Sie das Netzkabel auf keinen Fall. Versuchen Sie nicht, die Erdungs- und/oder Polarisationsvorschriften zu umgehen. Das Netzkabel sollte an eine zweipolige Wandsteckdose angeschlossen werden. Verwenden Sie keine Verlängerungskabel.

Netzkabel sind so zu verlegen, daß sie nicht beschädigt werden können (z.B. durch Trittbelastung, Möbelstücke oder Erwärmung). Besondere Vorsicht ist dabei an den Steckern, Verteilern und den Anschlußstellen des Gerätes geboten.

Sollten Sie das Gerät für eine längere Zeit nicht in Betrieb nehmen, ziehen Sie den Netzstecker aus der Steckdose.

Schalten Sie das Gerät sofort aus und ziehen Sie geschultes Fachpersonal zu Rate, wenn:

- das Netzkabel oder der Stecker beschädigt sind,
- Gegenstände bzw. Flüssigkeit in das Gerät gelangt sind,
- das Gerät Regen ausgesetzt war,
- das Gerät nicht ordnungsgemäß funktioniert bzw. eine deutliche Leistungsminderung aufweist,
- das Gerät hingefallen ist bzw. beschädigt wurde.

Ziehen Sie den Netzstecker aus der Steckdose, bevor Sie mit der Reinigung des Gerätes beginnen. Reinigen Sie die Oberflächen des Gerätes nur mit einem weichen, trockenen Tuch. Verwenden Sie keine scharfen Reinigungs- oder Lösungsmittel. Vor der erneuten Inbetriebnahme des Gerätes ist sicherzustellen, daß an den Anschlußstellen keine Kurzschlüsse bestehen und alle Anschlüsse ordnungsgemäß sind.

Stellen Sie das Gerät waagrecht auf eine feste, ebene Unterlage. Es sollte weder auf beweglichen Unterlagen noch Wagen oder fahrbaren Untergestellen transportiert werden.

**Inhaltsverzeichnis**

| | |
|---|-----------|
| Figure 1: Bedienelemente und Anschlüsse | 3 |
| Figure 2: Fernbedienung RR-D94 | 3 |
| Figure 3: Analoge Ausgänge | 4 |
| Figure 4: Digitalausgang | 4 |
| Die Firma Rotel | 17 |
| Zu dieser Anleitung | 17 |
| Einige Vorsichtsmaßnahmen | 17 |
| Aufstellung des Gerätes | 17 |
| Kennzeichnung der Geräteabbildungen | 17 |
| Netzspannung und Bedienung | 17 |
| Netzeingang 22 | 17 |
| POWER-Schalter 1 und POWER-LED 2 | 18 |
| Ausgangsanschlüsse | 18 |
| Analoge Ausgänge 19 | 18 |
| Digitalausgang 20 | 18 |
| 12-Volt-Triggereingang 21 | 18 |
| Betrieb | 18 |
| Infrarot-Fernbedienung 9 | 18 |
| Display 8 | 18 |
| CD-Schublade 7 | 18 |
| Laufwerksbedienung | 19 |
| OPEN/CLOSE-Taste (Öffnen/Schließen) 14 A | 19 |
| PLAY-Taste 15 M | 19 |
| STOP-Taste 16 F | 19 |
| PAUSE-Taste 17 N | 19 |
| TRACK-Tasten 18 L | 19 |
| Zifferntasten B | 19 |
| SEARCH-Tasten (Suche rückwärts/vorwärts) 11 K | 19 |
| Zusätzliche Ausstattungsmerkmale | 19 |
| HDCD®-LED 3 | 19 |
| PROGRAM-Taste 4 J | 20 |
| REVIEW-Taste 5 I | 20 |
| CLEAR-Taste H | 20 |
| RANDOM-Taste 6 D | 20 |
| REPEAT-Taste 10 C | 20 |
| SCAN-Taste 12 E | 20 |
| TIME-Taste 13 G | 21 |
| Bei Störungen | 21 |
| Die POWER-LED leuchtet nicht | 21 |
| Austauschen der Sicherung | 21 |
| Kein Ton | 21 |
| Technische Daten | 21 |

Die Firma Rotel

Die Firma Rotel wurde vor 40 Jahren von einer Familie gegründet, deren Interesse an Musik so groß war, daß sie beschloß, hochwertigste HiFi-Produkte herzustellen und Musikliebhabern ungeachtet ihres Geldbeutels einen außergewöhnlichen Wert zukommen zu lassen. Ein Ziel, das von allen Rotel-Angestellten verfolgt wird.

Die Ingenieure arbeiten als Team eng zusammen. Sie hören sich jedes Gerät an und optimieren es klanglich, bis es den gewünschten Musikstandards entspricht. Die eingesetzten Bauteile stammen aus verschiedenen Ländern und wurden ausgewählt, um das jeweilige Produkt zu optimieren. So finden Sie in Rotel-Geräten Kondensatoren aus Großbritannien und Deutschland, Halbleiter aus Japan oder den USA und direkt bei Rotel gefertigte Ringkerntransformatoren.

Rotels guter Ruf wird durch hunderte von Testerfolgen von den angesehensten Testern der Branche, die jeden Tag Musik hören, untermauert. Die Ergebnisse beweisen, daß das Unternehmen sein Ziel konsequent verfolgt hat, mit Equipment hoher Musikalität und Zuverlässigkeit bei gleichzeitig günstigen Preisen.

Zu dieser Anleitung

Vielen Dank, daß Sie sich für den RCD-1070 von Rotel entschieden haben. Mit seinem Präzisionslaufwerk, einem Multi Level-Delta-Sigma-D/A-Wandler mit 8fach-Oversampling (18-Bit-Äquivalent), HDCD® und Rotels Balanced-Design-Konzept garantiert dieser Stereo-CD-Player erstklassigen Klang und ist somit eine ideale Komponente für jedes qualitativ hochwertige Audiosystem.

Einige Vorsichtsmaßnahmen

Lesen Sie sich bitte die Bedienungsanleitung vor der Inbetriebnahme genau durch. Neben grundsätzlichen Installations- und Bedienungshinweisen (bitte beachten Sie auch die Sicherheits- und Warnhinweise am Anfang der Bedienungsanleitung) enthält sie wertvolle Informationen zu verschiedenen Systemkonfigurationen mit dem RCD-1070 sowie allgemeine Informationen, die Ihnen helfen werden, Ihr System mit seiner maximalen Leistungsfähigkeit zu betreiben. Bitte setzen Sie sich bei etwaigen Fragen mit Ihrem autorisierten Rotel-Fachhändler in Verbindung.

Bewahren Sie den Versandkarton und das übrige Verpackungsmaterial des RCD-1070 für einen eventuellen späteren Einsatz auf. Der Versand oder Transport des RCD-1070 in einer anderen als der Originalverpackung kann zu erheblichen Beschädigungen Ihres CD-Players führen, für die Sie keinerlei Garantieansprüche geltend machen können.

Schicken Sie die Ihrem CD-Player beiliegende Garantieanforderungskarte ausgefüllt an den Rotel-Distributor in Ihrem Land. Bewahren Sie bitte die Original-Kaufquittung auf. Sie belegt am besten das Kaufdatum, das für Sie wichtig wird, sobald Sie eine Garantieleistung in Anspruch nehmen.

Aufstellung des Gerätes

Möchten Sie den RCD-1070 auf ein Regal oder in einen Schrank stellen, so vergewissern Sie sich, daß diese stabil genug sind. Stellen Sie keine schweren Komponenten auf den RCD-1070 und vermeiden Sie es, ihn extremer Wärme auszusetzen. Plazieren Sie ihn z.B. nicht auf einer Endstufe oder in der Nähe eines Heizkörpers. Die Klangqualität ist am besten, wenn das Gerät keinerlei Schwingungen ausgesetzt wird, wie sie z.B. in der Nähe von Lautsprechern auftreten.

Kennzeichnung der Geräteabbildungen

In der ausklappbaren Deckseite am Anfang der Bedienungsanleitung finden Sie Abbildungen der Gerätefront, -rückseite und der Fernbedienung RR-D94. Diese Abbildungen sind mit grau unterlegten Zahlen bzw. Buchstaben gekennzeichnet. Diese Zahlen und Buchstaben finden Sie in den Abschnitten dieser Bedienungsanleitung wieder, in denen die entsprechenden Funktionen behandelt werden. Grau unterlegte Zahlen, wie z.B. **1**, beziehen sich auf die Bedienelemente an der Gerätefront und -rückseite. Die Tasten auf der Fernbedienung werden mit grau unterlegten Buchstaben, wie z.B. **A**, beschriftet.

Netzspannung und Bedienung

Netzeingang **22**

Der RCD-1070 wird von Rotel so eingestellt, daß er der in Ihrem Land üblichen Wechselspannung (entweder 230/240 oder 115 Volt) entspricht. Die Einstellung ist an der Geräterückseite angegeben.

Hinweis: Sollten Sie mit Ihrem RCD-1070 in ein anderes Land umziehen, kann die Einstellung des CD-Players geändert werden, so daß er mit einer anderen Netzspannung betrieben werden kann. Versuchen Sie auf keinen Fall, diese Änderung selber vorzunehmen. Durch Öffnen des Gehäuses setzen Sie sich gefährlichen Spannungen aus. Ziehen Sie hierzu stets qualifiziertes Servicepersonal zu Rate.

HDCD®, **HDCD**®, High Definition Compatible Digital® und Pacific Microsonics™ sind entweder eingetragene Warenzeichen oder Warenzeichen der Pacific Microsonics, Inc. in den USA und/oder anderen Ländern. Das HDCD-System wird in Lizenz der Pacific Microsonics, Inc. hergestellt. Dieses Produkt wird durch folgendes geschützt: 5.479.168, 5.638.074, 5.640.161, 5.808.574, 5.838.274, 5.854.600, 5.872.531 (in den USA) und 669114 (in Australien). Weitere Patente angemeldet.

Das Netzkabel sollte an eine zweipolige Wandsteckdose oder an die Gerätesteckdose einer anderen Komponente Ihres Audiosystems angeschlossen werden. Verwenden Sie kein Verlängerungskabel.

Stellen Sie sicher, daß der RCD-1070 abgeschaltet (d.h. der POWER-Schalter in der AUS-Position) ist. Schließen Sie nun das beiliegende Netzkabel an den Netzeingang an der Geräterückseite und ans Netz an.

Sind Sie, wie z.B. bei einer mehrwöchigen Urlaubsreise, für längere Zeit nicht zu Hause, sollten Sie Ihren CD-Player (ebenso wie alle anderen Audio- und Videokomponenten) während Ihrer Abwesenheit vom Netz trennen.

POWER-Schalter 1 und POWER-LED 2

Der POWER-Schalter ist in die Gerätefront des RCD-1070 integriert. Drücken Sie ihn zum Einschalten des Gerätes. Die LED über dem Schalter und das Display beginnen zu leuchten und zeigen an, daß der CD-Player eingeschaltet ist. Drücken Sie zum Ausschalten des CD-Players erneut den POWER-Schalter.

Hinweis: Ist der CD-Player an eine Gerätesteckdose angeschlossen, sollten Sie ihn eingeschaltet lassen. Er ist dann sofort spielbereit, wenn Netzspannung anliegt.

Ausgangsanschlüsse

Der RCD-1070 verfügt an der Rückseite über analoge und digitale Ausgangsanschlüsse. Über die analogen Ausgänge wird ein analoges Signal vom eingebauten D/A-Wandler zu einer herkömmlichen analogen Audiokomponente geleitet. Am Koaxial-Digitalausgang liegt ein digitales Ausgangssignal an, das zu externen D/A-Wandlern oder Digitalprozessoren gesendet wird.

Hinweis: Beim Verkabeln und Anschließen sollte der CD-Player generell abgeschaltet sein.

Analoge Ausgänge 19

[Siehe Anschlußdiagramm in Abbildung 3]

Ein Paar Cinch-Analoganschlüsse steht am RCD-1070 zur Verbindung mit den Eingängen eines Vorverstärkers, Vollverstärkers bzw. Receivers zur Verfügung.

Wählen Sie qualitativ hochwertige Audio-Verbindungskabel. Schließen Sie den Ausgang des linken Kanals des RCD-1070 an den linken Eingangskanal am Vorverstärker bzw. einer anderen Komponente an. Verbinden Sie den rechten Ausgang des RCD-1070 mit dem rechten Eingangskanal des Vorverstärkers bzw. einer anderen Komponente.

Digitalausgang 20

[Siehe Anschlußdiagramm in Abbildung 4]

Verwenden Sie einen externen D/A-Wandler oder sonstigen Digitalprozessor, so benötigen Sie einen digitalen Datenstrom vom RCD-1070. Dieses Signal steht an der Rückseite des RCD-1070 an der digitalen Ausgangsbuchse zur Verfügung. Verwenden Sie ein Standard-75-Ohm-Koaxial-Digitalkabel, um den Koaxial-Digitalausgang des RCD-1070 mit dem Koaxial-Digitaleingang am externen D/A-Wandler zu verbinden.

12-Volt-Triggereingang 21

Der RCD-1070 kann über ein 12-Volt-Triggersignal aktiviert werden. Der Triggereingang akzeptiert Gleich- und Wechsellspannungssignale von 3 bis 30 Volt. Ist ein Kabel an den 12-V-Eingang angeschlossen und liegt ein Signal an, wird der RCD-1070 aktiviert. Liegt kein Triggersignal mehr an, schaltet das Gerät in den Standby-Modus. Die POWER-LED an der Gerätefront leuchtet weiter, das Display nicht.

HINWEIS: Möchten Sie die 12-V-Triggerfunktion nutzen, so lassen Sie den POWER-Schalter in der EIN-Position.

Betrieb

Der RCD-1070 kann über die Bedienelemente an der Gerätefront oder über die Tasten der beiliegenden Infrarot-Fernbedienung bedient werden. Detaillierte Hinweise zu den einzelnen Funktionen finden Sie unten. Bis auf wenige, in der Anleitung entsprechend ausgewiesene Ausnahmen können die Funktionen über die Bedienelemente und über die Fernbedienung aktiviert werden.

Infrarot-Fernbedienung 9

Vor Inbetriebnahme der Infrarot-Fernbedienung setzen Sie bitte die beiden beiliegenden Batterien (UM-4/Größe: AAA) ein. Nehmen Sie den Batteriefachdeckel an der Rückseite der Fernbedienung ab. Legen Sie die Batterien mit richtiger Polarität (beachten Sie die +/– Zeichen auf dem Batteriefachboden und auf den Batterien) ein. Schließen Sie den Batteriefachdeckel, so daß er einrastet.

Nutzen Sie die Infrarot-Fernbedienung, so richten Sie diese direkt auf den unten links an der Gerätefront des RCD-1070 befindlichen Infrarot-Sensor.

Display 8

Über das beleuchtete Display erhält der Bediener nützliche Informationen über den Status des Gerätes, aktivierte Zusatzfunktionen und Titelnummer/Spieldauer der gerade gespielten CD. Jede dieser Funktionen wird im folgenden genau beschrieben.



CD-Schublade 7

Das Gerät verfügt über ein mittig angeordnetes Laufwerk. Die CD-Schublade ist motorgetrieben und kann zum Einlegen einer CD ausgefahren und zum Abspielen der CD eingefahren werden. Legen Sie die CD mit der bedruckten Seite nach oben ein. Stellen Sie sicher, daß die CD zentriert in der CD-Schublade liegt.

Die Lade kann durch Drücken der OPN/CLS-Taste und durch Drücken der PLAY-Taste eingefahren werden.

Laufwerksbedienung

Über die im folgenden beschriebenen Tasten werden die laufwerksbezogenen Funktionen gesteuert. Bis auf wenige, in der Anleitung ausgewiesene Ausnahmen sind alle Funktionen über die Bedienelemente und die Infrarot-Fernbedienung aktivierbar. Grau unterlegte Zahlen beziehen sich auf die Bedienelemente an der Gerätefront, grau unterlegte Buchstaben auf die Tasten der Fernbedienung.

OPEN/CLOSE-Taste (Öffnen/Schließen) 14 A

Durch Drücken dieser mit OPN/CLS gekennzeichneten Taste wird die CD-Schublade geöffnet. Durch erneutes Drücken wird die CD-Schublade geschlossen. Die CD-Schublade kann auch durch Drücken der PLAY-Taste geschlossen werden.

Bei geöffneter CD-Schublade erscheint im Display das Wort „OPEN“. Wird die CD-Schublade eingefahren und ist keine CD eingelegt, so erscheint im Display „NO DISC“. Wird die CD-Schublade mit eingelegter CD eingefahren, erscheint im Display die Anzahl der Titel auf der CD und die Gesamtspieldauer der Disc in Minuten und Sekunden.

PLAY-Taste 15 M

Drücken Sie diese Taste, um die Wiedergabe zu starten. Ist die CD-Schublade geöffnet, wird sie durch Drücken der PLAY-Taste automatisch geschlossen. Während der Wiedergabe erscheinen im Display neben dem PLAY-Symbol die Titelnummer und die abgelaufene Spieldauer des laufenden Titels.

Normalerweise wird mit der Wiedergabe des ersten Titels auf der CD begonnen. Jedoch kann der CD-Player vor dem Drücken der PLAY-Taste über die TRACK-Tasten oder die Zifferntasten der Fernbedienung (siehe unten) so eingestellt werden, daß die Wiedergabe mit einem anderen Titel beginnt.

STOP-Taste 16 F

Drücken Sie diese Taste, um die Wiedergabe zu stoppen. Wird nach der STOP- die PLAY-Taste gedrückt, so beginnt der CD-Player mit der Wiedergabe des ersten Titels. Drücken Sie die STOP-Taste zweimal schnell hintereinander, so dient diese Taste zum Löschen von Programmen (siehe unten).

PAUSE-Taste 17 N

Drücken Sie die PAUSE-Taste, um die Wiedergabe vorübergehend zu unterbrechen. Während der Wiedergabepause dreht sich die CD weiter, und das PAUSE-Symbol leuchtet. Bei nochmaligem Drücken der PAUSE-Taste oder bei Drücken der PLAY-Taste erlischt die Anzeige und die Wiedergabe wird an der Position, an der sie unterbrochen wurde, fortgesetzt.

TRACK-Tasten 18 L

Mit diesen Tasten können Titel auf der CD angewählt werden. Wird die rechte TRACK-Taste während der Wiedergabe gedrückt, springt der CD-Player zum Anfang des nachfolgenden Titels. Durch Drücken der linken TRACK-Taste kehrt der CD-Player zum Anfang des gerade gespielten Titels zurück. Drücken Sie die linke TRACK-Taste zweimal kurz hintereinander, so kehrt der CD-Player zum Anfang des vorhergehenden Titels zurück. Im Display erscheint die Nummer des neuen Titels.

Diese Tasten können auch genutzt werden, um vor dem Drücken der PLAY-Taste einen Titel auszuwählen oder um Titel im PROGRAM-Modus zu speichern (siehe unten). Drücken Sie die entsprechende TRACK-Taste so oft, bis Sie den gewünschten Titel angewählt haben.

Im PROGRAM-Modus können Sie mit Hilfe der TRACK-Tasten von einem programmierten Titel zum vorherigen oder nächsten springen.

Zifferntasten B

(nur auf der Fernbedienung)

Die elf Zifferntasten (1 bis 10 und > 10) auf der Fernbedienung dienen zur direkten Eingabe der Nummer des Titels, der wiedergegeben werden soll.

Die ersten zehn Titel einer CD können durch Drücken der entsprechenden Tasten angewählt werden. Um z.B. den dritten Titel zu spielen, drücken Sie Taste 3 auf der Fernbedienung.

Beim Zugriff auf einen Titel mit einer höheren Nummer als 10 drücken Sie zunächst auf die > 10-Taste und anschließend auf die Tasten für die Titelnummer. Möchten Sie beispielsweise Titel 12 anwählen, so drücken Sie auf die > 10-Taste und anschließend auf die Tasten 1 und 2.

Die Nummer des ausgewählten Titels wird im numerischen Bereich in der Mitte des Displays angezeigt.

Im rechten Display-Bereich befindet sich eine 4x4-Matrix für die Anzeige von Titelnummern (1 - 16). Dieser Anzeige können Sie entnehmen, wie viele Titel sich auf der CD befinden. Hat die CD mehr als 16 Titel, leuchten alle Ziffern und das Wort „OVER“. Das Wort „OVER“ erscheint unabhängig von dem gerade gespielten Titel. Im Gegensatz zu dieser Matrix zeigt die numerische Titelanzeige im Display stets die Titelnummer des laufenden Titels an, auch wenn die Titelnummer höher als 16 ist.

Die Zifferntasten dienen außerdem zur Auswahl der Titel beim Programmieren (siehe unten).

SEARCH-Tasten (Suche rückwärts/vorwärts) 11 K

Diese Tasten dienen, solange Sie gedrückt gehalten werden, zum Schnelldurchlauf der CD. Die Musik ist bei gedrückter Taste weiterhin zu hören, die Wiedergabe erfolgt nur schneller. Werden die Tasten losgelassen, kehrt der CD-Player in den normalen PLAY-Modus zurück.

Zusätzliche Ausstattungsmerkmale

Der RCD-1070 ist sehr bedienerfreundlich ausgestattet und bietet neben den oben aufgeführten weitere Ausstattungsmerkmale, wie z.B. die Möglichkeit, High-Definition(HD)-CDs abzuspielen, Titel zu programmieren, eine CD, ein Programm oder einen Titel zu wiederholen, die Titel auf einer CD in zufälliger Reihenfolge abzuspielen, automatisch die ersten 10 Sekunden jedes Titels anzuspielden und zwischen unterschiedlichen Zeitanzeigen zu wählen.

HDCD®-LED 3

HDCD® ist eine Codiertechnik, durch die der effektive Dynamikbereich einer CD vergrößert und die Detailtreue verbessert wird. Verzerrungen werden auf ein Minimum reduziert. Beim Abspielen von HDCD-codierten CDs erreicht der RCD-1070 einen Dynamikbereich von 18 Bit. HDCD-Discs sind durch das HDCD-Logo auf der Verpackung gekennzeichnet.

Beim Abspielen einer HDCD-codierten Disc muß der Bediener nichts weiter beachten. Der CD-Player erkennt die HDCD-Codierung automatisch und aktiviert den Schaltkreis. An der Gerätefront leuchtet die HDCD-LED und zeigt an, daß eine HDCD-CD abgespielt wird.

PROGRAM-Taste 4 J

Über diese mit PROG gekennzeichnete Taste können Sie 20 Titel einer CD in beliebiger Reihenfolge speichern und beispielsweise nacheinander Titel 5, Titel 3 und Titel 8 abspielen.

Programmierungsvorgang:

- 1 Legen Sie eine CD ein und schließen Sie die CD-Schublade durch Drücken der OPN/CLS-Taste. Im Display des RCD-1070 wird der Inhalt der CD angezeigt.
- 2 Drücken Sie die PROGRAM-Taste an der Gerätefront oder auf der Fernbedienung. Das Wort PROGRAM erscheint mit der Anzeige „P:00“ im Display des RCD-1070. Das Gerät wartet auf die Eingabe der ersten Titelnnummer.
- 3 Programmieren Sie die Titelnnummern über die Fernbedienung, geben Sie die erste Titelnnummer über die Zifferntasten ein. Der gewählte Titel wird automatisch gespeichert und im Display erscheint die Anzeige „P:01“ und gibt damit an, daß der erste Titel erfolgreich gespeichert wurde. Geben Sie alle zu speichernden Titel über die Zifferntasten ein. Jeder Titel wird direkt gespeichert, d.h., ein erneutes Drücken der PROGRAM-Taste ist nicht erforderlich.
- 4 Programmieren Sie die Titelnnummern über die Bedienelemente an der Gerätefront, so wählen Sie die erste Titelnnummer über die TRACK-Tasten aus. Die Titel- und die Programmnummer blinken drei Sekunden im Display. Drücken Sie in dieser Zeit die PROGRAM-Taste, um Ihre Wahl zu bestätigen. Beachten Sie, daß das Abspeichern nur solange möglich ist, wie die Nummern im Display blinken. Zur Programmierung weiterer Titel wählen Sie deren Nummern über die TRACK-Tasten aus und drücken anschließend zur Bestätigung die PROGRAM-Taste.

Haben Sie ein Programm gespeichert, so bleibt der RCD-1070 solange im PROGRAM-Modus, bis Sie die CD-Schublade öffnen oder zweimal hintereinander die STOP-Taste drücken. Drücken Sie die PLAY-Taste, so wird anstelle der gesamten CD das gespeicherte Programm gespielt. Die Wiedergabe beginnt mit dem ersten gespeicherten Titel.

Ist ein Programm gespeichert, so werden die meisten Funktionen nur für die im Programm gespeicherten Titel aktiviert und nicht, wie bei der normalen Wiedergabe, für die gesamte CD. So springt der CD-Player z.B. mit Drücken der rechten TRACK-Taste zum nächsten Titel des gespeicherten Programms und nicht zum nächsten Titel auf der CD. Nach Drücken der REPEAT-Taste (siehe unten) werden alle in einem Programm gespeicherten Titel und nicht alle Titel auf der CD wiederholt.

REVIEW-Taste 5 I

Nach Drücken dieser Taste blinken die im PROGRAM-Modus programmierten Titelnnummern der Reihenfolge nach für die Dauer von ca. 5 Sekunden im Display. Drücken Sie in dieser Zeit erneut die REVIEW-Taste, wird der REVIEW-Modus fortgesetzt und der nächste gespeicherte Titel angezeigt. Auf diese Weise können Sie nacheinander alle im Programm gespeicherten Titel abrufen.

Drücken Sie während des Aufblinkens der Titelnnummer nicht die REVIEW-Taste, so wird der REVIEW-Modus beendet. Das Gerät kehrt in den Modus zurück, in dem es sich befand, bevor Sie mit dem Überprüfen des Programminhalts begonnen haben.

Über die CLEAR-Taste haben Sie die Möglichkeit, im REVIEW-Modus bestimmte Titelnnummern aus einem Programm zu löschen (siehe unten).

CLEAR-Taste H

(nur auf der Fernbedienung)

Diese Taste dient während des oben beschriebenen REVIEW-Modus zum Löschen von bestimmten Titelnnummern aus einem Programm. Durchlaufen Sie den REVIEW-Prozess solange, bis die gesuchte Titelnnummer blinkt. Nun drücken Sie anstelle der REVIEW-Taste die CLEAR-Taste und löschen damit den angezeigten Titel. Anschließend können Sie mit dem Überprüfen des Programminhalts fortfahren.

RANDOM-Taste 6 D

Wird diese Taste gedrückt, schaltet der CD-Player auf Zufallswiedergabe. Sind alle Titel einmal wiedergegeben worden, hört der CD-Player automatisch auf zu spielen, es sei denn, der REPEAT-Modus wurde aktiviert (siehe unten). In diesem Fall wird die Zufallswiedergabe solange fortgesetzt, bis die STOP-Taste gedrückt wird. Bei gedrückter RANDOM-Taste erscheint das Wort „RANDOM“ im Display.

REPEAT-Taste 10 C

Durch Drücken dieser Taste haben Sie die Möglichkeit, den gerade gespielten Titel oder die gesamte CD solange zu wiederholen, bis erneut die REPEAT- oder die STOP-Taste gedrückt wird. Drücken Sie die REPEAT-Taste einmal, wiederholt der RCD-1070 nur den gerade gespielten Titel, im Display wird „REPEAT 1“ angezeigt. Drücken Sie die REPEAT-Taste ein zweites Mal, wiederholt der RCD-1070 die gesamte CD. Im Display erscheint „REPEAT ALL“. Wird die REPEAT-Taste ein drittes Mal gedrückt, wird damit die REPEAT-Funktion deaktiviert.

Wie oben bereits erwähnt, kann die REPEAT-Funktion mit der RANDOM-Funktion kombiniert werden.

Hinweis: Durch Öffnen der CD-Schublade wird die REPEAT-Funktion automatisch deaktiviert.

SCAN-Taste 12 E

Wird diese Taste gedrückt, spielt der CD-Player nacheinander die ersten 10 Sekunden aller Titel auf der CD (oder des gespeicherten Programms) an. Im Display erscheint das Wort „INTRO“. Zum Beenden der SCAN-Funktion und zum Fortsetzen der normalen Wiedergabe mit dem gerade gespielten Titel drücken Sie noch einmal die SCAN-Taste oder Sie drücken die PLAY-Taste.

TIME-Taste **13** **G**

Normalerweise zeigt der RCD-1070 die abgelaufene Spieldauer des laufenden Titels an. Über die TIME-Taste haben Sie nun die Möglichkeit, zwei weitere Zeitanzeigen aufzurufen. Drücken Sie die TIME-Taste einmal, so wird im Display die verbleibende Spieldauer von der jeweiligen Wiedergabeposition bis zum Ende des laufenden Titels angezeigt. Wird die TIME-Taste ein zweites Mal gedrückt, wird die auf der gesamten CD (oder die vom gespeicherten Programm) verbleibende Zeit angezeigt. Drücken Sie die TIME-Taste ein drittes Mal, so erscheint im Display wiederum die abgelaufene Spieldauer des laufenden Titels. Bei aktivierter TIME-Funktion erscheint das Wort „REMAIN“ im Display.

Bei Störungen

Tritt eine scheinbare Fehlfunktion auf, sollten zuerst die nachstehend aufgeführten Punkte überprüft werden. Viele Probleme beruhen auf Einstellungsfehlern oder fehlerhaften Anschlüssen. Sollten Störungen auftreten, grenzen Sie den Bereich ein. Versuchen Sie, die Ursache für die Störung herauszufinden. Prüfen Sie die Einstellung der Regler und nehmen Sie gegebenenfalls die erforderlichen Änderungen vor. Läßt sich das Problem nicht beheben, wenden Sie sich bitte an Ihren autorisierten Rotel-Fachhändler.

Die POWER-LED leuchtet nicht

Bei ordnungsgemäßem Betrieb beginnt die POWER-LED zu leuchten, wenn der RCD-1070 an eine stromführende Wandsteckdose angeschlossen und der POWER-Schalter gedrückt wird. Leuchtet sie nicht, prüfen Sie mit einem anderen elektrischen Verbraucher, z.B. einer Lampe, ob die Steckdose tatsächlich Strom führt. Prüfen Sie, ob der Strom nicht durch einen dazwischengeschalteten Schalter abgeschaltet worden ist.

Austauschen der Sicherung

Funktioniert ein anderes elektrisches Gerät an einer Steckdose, während die POWER-LED und das Display des RCD-1070 nicht leuchten, wenn der CD-Player an diese Steckdose angeschlossen wird, so kann dies ein Hinweis darauf sein, daß die Grobsicherung im Gehäuseinnern durchgebrannt ist. Trennen Sie den CD-Player vom Netz und lassen Sie die Sicherung von Ihrem autorisierten Rotel-Fachhändler auswechseln.

Kein Ton

Prüfen Sie, ob die Kabel zwischen dem RCD-1070 und dem Verstärker ordnungsgemäß angeschlossen sind. Stellen Sie sicher, daß der RCD-1070 am Verstärker als Signalquelle eingestellt wurde. Vergewissern Sie sich, daß das Tape-Monitor-System des Verstärkers nicht aktiviert ist. Prüfen Sie alle Verbindungskabel zwischen dem Verstärker und den Lautsprechern.

Technische Daten

| | |
|---|---|
| THD + Rauschen (bei 1 kHz) | 0,0045 % |
| Intermodulationsverzerrung (bei 1 kHz) | 0,0045 % |
| Frequenzgang ($\pm 0,5$ dB) | 20 – 20.000 Hz |
| Kanalgleichgewicht | $\pm 0,5$ dB |
| Phasenlinearität | $\pm 0,5^\circ$ |
| Kanaltrennung (bei 1 kHz) | > 98 dB |
| Geräuschspannungsabstand | > 100 dB |
| Dynamikbereich | > 96 dB |
| D/A-Wandler | Multi Level-Delta-Sigma D/A-Wandler (18-Bit-Äquivalent) mit 8fach Oversampling-Digitalfilter und HDCD |
| Gleichlaufschwankungen | quarzstabilisiert |
| Ausgangsimpedanz | 100 Ohm |
| Digitalausgang | 0,5 Volt _{SS} |
| Impedanz am Digitalausgang | 75 Ohm |
| Spannungsversorgung | |
| USA | 115 V, 60 Hz |
| Europa | 230 V, 50 Hz |
| Leistungsaufnahme | 20 Watt |
| Abmessungen (B x H x T) | 432 x 93 x 337 mm |
| Höhe der Gerätefront (wenn Sie das Gerät in ein Rack stellen möchten) | 80 mm |
| Nettogewicht | 5,8 kg |

Diese Bedienungsanleitung entspricht dem technischen Stand bei Drucklegung. Änderungen in Technik und Ausstattung vorbehalten.

Rotel und das Rotel HiFi-Logo sind eingetragene Warenzeichen von The Rotel Co. Ltd., Tokio, Japan.

HDCD®, HDCD®, High Definition Compatible Digital® und Pacific Microsonics™ sind entweder eingetragene Warenzeichen oder Warenzeichen der Pacific Microsonics, Inc. in den USA und/oder anderen Ländern.

ATTENZIONE: Rischio di scossa elettrica, non aprire.

Avvertenza: per ridurre il rischio di scossa, non togliete il coperchio del cabinet. Non contiene parti utili per l'utente. Per l'assistenza fate riferimento a personale qualificato.

Attenzione: Per ridurre il rischio di incendio o di folgorazione, non esporre l'RCD-1070 all'umidità o all'acqua. Evitare che oggetti estranei cadano all'interno del cabinet. Se l'apparecchio è stato esposto all'umidità o un oggetto estraneo è caduto all'interno del cabinet, staccare il cordone di alimentazione dalla presa di rete. Portare l'apparecchio ad un centro di assistenza qualificato per i necessari controlli e riparazioni.

Leggere attentamente tutte le istruzioni prima di collegare l'RCD-1070 alla rete di alimentazione. Conservate questo manuale per ogni riferimento futuro alle istruzioni di sicurezza.

Seguire attentamente tutte le avvertenze e le operazioni per il funzionamento del prodotto stesso.

Pulire l'RCD-1070 con un panno asciutto o con un piccolo aspirapolvere

Lasciate libere le aperture di ventilazione dell'unità. Per esempio, l'apparecchiatura non dovrebbe essere posta su un letto, divano, tappeto, o posti che possano bloccare le aperture di ventilazione. Se l'RCD-1070 è posizionato in una libreria o in un cabinet, fate in modo che ci sia abbastanza spazio attorno all'unità per consentire un'adeguata ventilazione e raffreddamento.

L'RCD-1070 dovrebbe essere posto lontano da fonti di calore come caloriferi, termostati, stufe, o altri apparecchi che producano calore

L'RCD-1070 dovrebbe essere collegato solamente a una sorgente elettrica del tipo descritto nelle istruzioni o indicato sul pannello posteriore dell'apparecchiatura.

Collegate l'RCD-1070 alla presa di alimentazione solo con il cavo a due poli polarizzato che viene fornito o con un equivalente. Non modificate in alcun modo il cavo di alimentazione in dotazione. Non cercate di eliminare la massa o di manomettere le polarizzazioni. Il cavo dovrebbe essere collegato a una presa a muro polarizzata a due poli inserendo la lama larga della spina nella fessura larga della presa. Non usare prolunghie

Non far passare il cavo di alimentazione dove potrebbe essere schiacciato, pizzicato, piegato ad angoli acuti, esposto al calore o danneggiato in alcun modo. Fate particolare attenzione al cavo di alimentazione all'altezza della spina e da dove esce dalla parte posteriore dell'apparecchio.

Il cordone di alimentazione dovrebbe essere scollegato quando l'apparecchiatura è inutilizzata per un periodo piuttosto lungo.

Cessate di utilizzare l'RCD-1070 immediatamente e portatelo in un centro di assistenza qualificato quando:

- Il cavo di alimentazione o la spina sono stati danneggiati.
- Oggetti sono caduti, o del liquido è stato versato nell'apparecchio.
- L'apparecchiatura è stata esposta alla pioggia.
- L'apparecchiatura non sembra funzionare in modo normale.
- L'apparecchiatura è caduta, o il cabinet è rimasto danneggiato

Posizionate l'RB 971 su una superficie piana abbastanza resistente da sopportarne il peso. Non posizionare l'RCD-1070 su un carrello che potrebbe ribaltarsi.



Indice

| | |
|--|-----------|
| Figura 1: Comandi e Collegamenti | 3 |
| Figura 2: Comando A Distanza RR-D94 | 3 |
| Figura 3: Uscite Analogiche | 4 |
| Figura 4: Uscite Digitali | 4 |
| Alcune Parole Sulla Rotel | 23 |
| Per Cominciare | 23 |
| Alcune Precauzioni | 23 |
| Posizionamento | 23 |
| Identificazione Dei Comandi | 23 |
| Collegamento alla Rete e Controlli | 23 |
| Ingresso di alimentazione in corrente alternata 22 | 23 |
| Tasto di Accensione 1 e Spia di Accensione 2 | 24 |
| Collegamenti In Uscita | 24 |
| Uscite analogiche 19 | 24 |
| Uscita digitale 20 | 24 |
| Ingresso per segnale 12V trigger 21 | 24 |
| Funzionamento | 24 |
| Comando A Distanza a Raggi Infrarossi 9 | 24 |
| Display 8 | 24 |
| Cassetto del Disco 7 | 24 |
| Tasti per il Controllo del Trasporto | 24 |
| Tasto OPEN-CLOSE 14 A | 25 |
| Tasto PLAY 15 M | 25 |
| Tasto STOP 16 F | 25 |
| Tasto PAUSE 17 N | 25 |
| Tasti TRACK 18 L | 25 |
| Tasti DIRECT ACCESS B | 25 |
| Tasti SEARCH 11 K | 25 |
| Altre Caratteristiche | 25 |
| HDCC® 3 | 25 |
| Tasto PROGRAM 4 J | 26 |
| Tasto REVIEW 5 I | 26 |
| Tasto CLEAR H | 26 |
| Tasto RANDOM 6 D | 26 |
| Tasto REPEAT 10 C | 26 |
| Tasto SCAN 12 E | 26 |
| Tasto TIME 13 G | 27 |
| Ricerca Dei Guasti | 27 |
| La Spia di alimentazione non si illumina | 27 |
| Sostituzione del Fusibile | 27 |
| Nessun Suono | 27 |
| Caratteristiche | 27 |

Alcune Parole Sulla Rotel

Una famiglia, la cui passione per la musica ha spinto a realizzare componenti hi-fi di elevata qualità, fondò la Rotel 40 anni fa. Nel corso degli anni la passione è rimasta intatta e l'obiettivo di offrire prodotti eccezionali agli audiofili e amanti della musica ad un costo non elevato è condiviso da tutti alla Rotel.

Gli ingegneri lavorano come una squadra affiatata, ascoltando e mettendo a punto ogni nuovo prodotto finché non raggiunge perfettamente i loro standard musicali. Sono liberi di scegliere i componenti in qualsiasi parte del mondo al fine di realizzare il prodotto nel miglior modo possibile. Così potrete trovare condensatori provenienti dall'Inghilterra e dalla Germania, semiconduttori dal Giappone o dagli Stati Uniti, mentre i trasformatori toroidali sono prodotti proprio dalla Rotel.

La fama di eccellenza della Rotel è stata guadagnata grazie a centinaia di ottime recensioni e riconoscimenti conferiti dai più autorevoli esperti del settore, che ascoltano la musica ogni giorno. I loro commenti confermano l'obiettivo della società - La ricerca di un apparecchio che sia musicale, affidabile e conveniente.

Noi tutti alla Rotel vi ringraziamo per aver scelto questo prodotto augurandovi molte ore di piacevole intrattenimento musicale.

Per Cominciare

Grazie per aver acquistato il lettore CD stereo RCD-1070. Dotato di una meccanica di trasporto di alta precisione, L' RCD1070 adotta un convertitore D/A multilivello Delta-Sigma con sovraccampionamento 8x e decodifica HDCD®. Queste caratteristiche insieme al Balanced Design della Rotel, vi garantiscono che l'RCD-1070 offra il più elevato livello di resa sonora. Utilizzato in un impianto hi-fi di alta qualità, il vostro lettore Rotel vi garantirà numerosi anni di intrattenimento musicale.

Alcune Precauzioni

Leggete attentamente questo manuale. Oltre alle istruzioni relative all'installazione e al funzionamento fornisce interessanti informazioni su diverse configurazioni di sistema dell'RCD-1070 come indicazioni generali che vi aiuteranno a ottenere prestazioni ottimali dal vostro impianto. Vi preghiamo di contattare il vostro rivenditore autorizzato Rotel per consigli o domande. Inoltre tutti noi alla Rotel saremo ben lieti di rispondere alle vostre domande e commenti.

Conservate l'imballaggio dell'RCD-1070 e tutto il materiale di imballaggio interno per un uso futuro. Trasportare l'RCD-1070 in un imballo non originale potrebbe arrecare un danno che non sarebbe coperto dalla vostra garanzia.

Compilate e inviate la carta di registrazione allegata all'RCD-1070. Assicuratevi anche di conservare la ricevuta della vendita originale. E' il vostro migliore documento per la data di acquisto di cui avrete bisogno ogni volta sia necessario il servizio di garanzia.P

Posizionamento

Usate il buon senso quando posizionate l'RCD-1070 in un mobile o vi sovrapponetevi altri apparecchi. Assicuratevi che lo scaffale o il cabinet possano sopportare il suo peso. Non sovrapponetevi all'RCD-1070 componenti pesanti.

Evitate di collocare l'apparecchio in un luogo dove possa essere soggetto a un'eccessiva fonte di calore come sopra a un grosso amplificatore di potenza o vicino a un termosifone. Per una miglior resa evitate di porre l'apparecchio in un luogo dove possa essere soggetto a vibrazioni, come ad esempio vicino a un diffusore.

HDCD®, High Definition Compatible Digital® e Pacific Microsonics® sono o marchi registrati oppure marchi registrati di Pacific Microsonics, Inc. negli Stati Uniti e/o in altri paesi. Il sistema HDCD è prodotto su licenza dalla Pacific Microsonics. Questo prodotto viene coperto da uno a più dei seguenti: In USA: 5,479,168, 5,638,074, 5,640,161, 5,808,574, 5,838,274, 5,854,600, 5,872,531 ed in Australia: 669114. Altre registrazioni seguiranno.

Identificazione Dei Comandi

La copertina di questo manuale è provvista di una parte pieghevole che mostra le illustrazioni dei pannelli anteriori e posteriori e del comando a distanza RR-D94. Ogni elemento nelle illustrazioni viene identificato con un richiamo in un riquadro grigio. Nel corso di questo manuale gli elementi a cui si fa riferimento nel testo vengono identificati con un richiamo corrispondente. Gli elementi sui pannelli anteriore e posteriore vengono identificati con un richiamo numerico **1**. Gli elementi del comando a distanza sono etichettati con una lettera **A**.

Collegamento alla Rete e Controlli

Ingresso di alimentazione in corrente alternata **22**

Il vostro RCD-1070 è predisposto già in fabbrica per il corretto voltaggio nel paese di acquisto (o 115 V o 230 V o 240 V). La configurazione di linea in corrente alternata è indicata su una decalcomania sul pannello posteriore.

NOTA: Nel caso doveste spostare il vostro lettore CD in un altro paese è possibile riconfigurarne per un utilizzo su un voltaggio diverso. Non cercate di mettere in pratica questa conversione da soli. Aprendo l'involucro dell'RCD-1070 vi esponete a voltaggi pericolosi. Consultate un personale qualificato o il reparto di assistenza della Rotel per informazioni.

L'RCD-1070 dovrebbe essere collegato direttamente ad una presa a muro polarizzata a due poli o all'uscita attivata di un altro componente del vostro impianto audio. Non utilizzate una prolunga.

Assicuratevi che l'interruttore di accensione sul pannello anteriore dell'RCD-1070 sia disattivato (in posizione "out"). Poi collegate il cordone di alimentazione in dotazione all'alloggiamento sul pannello posteriore dell'apparecchio e alla presa di alimentazione in corrente alternata.

Se dovete allontanarvi da casa per un periodo prolungato di tempo, come una vacanza di un mese, è una precauzione ragionevole quella di staccare dalla rete di alimentazione il vostro lettore CD (così come altri componenti audio e video) mentre siete assenti.

Tasto di Accensione 1 e Spia di Accensione 2

L'interruttore di alimentazione è collocato sul pannello anteriore del vostro lettore CD. Per attivare il lettore CD, premete il tasto. L'indicatore LED al di sopra dell'interruttore e il display si illumineranno, indicando che il lettore CD è acceso. Per disattivare il lettore premete nuovamente il tasto e riportatelo in posizione esterna.

NOTA : Se utilizzate un'uscita di alimentazione di un altro componente per attivare e disattivare il vostro lettore CD, dovrete lasciare l'interruttore di alimentazione in posizione "on". Quando accenderete il componente, anche il lettore CD si attiverà in modo totale.

Collegamenti In Uscita

L'RCD-1070 vi offre una scelta di due diversi tipi di collegamenti in uscita - un segnale di uscita analogico dal convertitore D/A incorporato per un utilizzo con componenti audio analogici e un'uscita digitale coassiale che fornisce un segnale digitale non elaborato per un utilizzo con convertitori D/A esterni o processori digitali.

NOTA : Per evitare forti rumori che non apprezzereste né voi né i vostri diffusori, assicuratevi che il lettore CD sia disattivato quando effettuate qualsiasi collegamento di segnale.

Uscite analogiche 19

(vedere Figura 3 per l'illustrazione dei collegamenti dei cavi)

Una coppia di connettori standard RCA fornisce un segnale di uscita analogico dall'RCD-1070 agli ingressi di sorgente di un preamplificatore audio, amplificatore integrato, o un sintoamplificatore

Scegliete cavi di interconnessione audio di alta qualità. Collegare l'uscita del canale sinistro dell'RCD-1070 all'ingresso di sorgente del canale sinistro sul preamplificatore o altro componente. Collegare l'uscita destra dell'RCD-1070 all'ingresso di sorgente del canale destro sul preamplificatore o altri componenti.

Uscita digitale 20

(vedere Figura 4 per l'illustrazione dei collegamenti cavi)

Se state utilizzando un convertitore esterno D/A o un altro processore digitale, avrete bisogno di un flusso di dati digitali non elaborati dall'RCD-1070, prelevati prima del convertitore D/A incorporato. Questo segnale viene fornito dal connettore di uscita digitale posto sul pannello posteriore dell'RCD-1070.

Utilizzando un cavo digitale coassiale standard da 75 ohm, collegate l'uscita digitale coassiale dell'RCD-1070 al connettore di ingresso digitale coassiale sul convertitore esterno D/A.

Ingresso per segnale 12V trigger 21

Il RCD-1070 può essere azionato da un segnale trigger 12V. L'ingresso per il segnale trigger accetta ogni tipo di segnale di controllo (AC o DC) variando da 3 volt a 30 volt. Quando un cavo è collegato all'ingresso 12V ed è presente un segnale trigger, il RCD-1070 viene attivato. Quando il segnale trigger è spento, l'unità va in modalità stand-by. L'indicatore di alimentazione sul pannello anteriore rimane acceso ma il display si spegnerà e l'unità non funziona.

Nota: Quando si usa la modalità trigger lasciare il tasto d'accensione in posizione ON.

Funzionamento

L'RCD-1070 può essere fatto funzionare utilizzando i tasti sul pannello anteriore o da i pulsanti corrispondenti sul comando a distanza a raggi infrarossi fornito. Istruzioni specifiche per ognuno di questi comandi sono indicate più avanti. La maggior parte dei pulsanti sono riprodotti sul pannello anteriore e sul comando a distanza a raggi infrarossi. Tuttavia vi sono alcune eccezioni per cui i pulsanti sono solo disponibili o su uno o sull'altro. Queste eccezioni sono annotate nelle istruzioni.

Comando A Distanza a Raggi Infrarossi 9

Prima di utilizzare il comando a distanza a raggi infrarossi, è necessario inserire due pile "UM-4/AAA" (in dotazione). Togliete il coperchio in plastica sul retro del comando a distanza a raggi infrarossi, sistemate le batterie (facendo attenzione alla polarità + e -, e rimettete a posto il coperchio.

Per usare il telecomando a raggi infrarossi, puntatelo verso il sensore a infrarossi 9 che si trova nell'angolo inferiore sinistro sul pannello frontale del RCD-1070.

Display 8

Un display illuminato sul pannello anteriore dell'RCD-1070 fornisce utili informazioni sul funzionamento dell'unità, sull'attivazione di funzioni speciali e informazioni tempo/traccia per il disco in ascolto. Ognuno di questi indicatori è descritto nelle istruzioni di funzionamento dettagliate che seguono.



Cassetto del Disco 7

Un cassetto motorizzato per il disco, collocato al centro dell'RCD-1070, scorre in avanti per accogliere un compact disc e si richiude per la riproduzione del disco. Ponete il disco nel cassetto con l'etichetta rivolta verso l'alto. Assicuratevi che il disco sia centrato correttamente sul cassetto.

Il cassetto può essere richiuso in due modi : premendo il tasto OPN/CLS o premendo il tasto PLAY.

Tasti per il Controllo del Trasporto

Questi tasti consentono il controllo delle funzioni di base per il trasporto del disco. Tranne che quando indicato, tutte le funzioni sono disponibili sul pannello anteriore dell'RCD-1070 e sul comando a distanza. I numeri in grassetto forniscono un comodo punto di riferimento per trovare il tasto sulle illustrazioni dell'RCD-1070 e del comando a distanza a raggi infrarossi all'inizio di questo manuale.

Tasto OPEN-CLOSE 14 A

Quando il cassetto di trasporto del disco è chiuso, premendo questo tasto il cassetto si apre automaticamente. Per chiudere il cassetto, premete nuovamente questo tasto. E' possibile anche aprire il cassetto premendo il tasto PLAY.

Quando si apre il cassetto, il Display indicherà "NO DISC". Quando si chiude il cassetto con un disco inserito, il display indicherà il numero di tracce sul disco e il tempo totale del disco in minuti e secondi.

Tasto PLAY 15 M

Premete il tasto PLAY per iniziare la riproduzione del disco. Se il cassetto del disco è aperto si chiuderà automaticamente. Il numero della traccia riprodotta e il tempo mancante verrà mostrato sul display insieme all'indicatore PLAY. Di norma, inizierà la riproduzione dalla prima traccia. Tuttavia, potete selezionare tracce differenti utilizzando i tasti TRACK o i pulsanti DIRECT ACCESS (vedere più sotto) prima di premere il tasto PLAY per iniziare la riproduzione di una diversa selezione.

Tasto STOP 16 F

Questo tasto ferma la riproduzione del disco e riavvolge il lettore, ad esempio se si riprende la riproduzione questa ricomincerà dalla prima traccia. Premendo il tasto STOP due volte velocemente in successione si annulla qualsiasi selezione programmata (vedi sotto).

Tasto PAUSE 17 N

Questo tasto è utilizzato per interrompere temporaneamente la riproduzione. Il disco continua a girare e riprenderà a suonare dal punto in cui era stata inserita la posizione. La spia PAUSE sul display si illuminerà. Per riprendere a suonare il disco, premete nuovamente il tasto PAUSE oppure premete il tasto PLAY.

Tasti TRACK 18 L

Questi tasti vengono utilizzati per selezionare le tracce sul disco. Quando un disco è in riproduzione, se premete il tasto destro TRACK avanzerà all'inizio della seguente traccia. Se premete il tasto sinistro TRACK ritornerà all'inizio della traccia in corso. Premendo velocemente due volte in successione questo ritorna all'inizio della traccia precedente. Sul display apparirà il numero nuovo di traccia.

Questi tasti sono anche utilizzati per selezionare una traccia prima di premere il tasto PLAY oppure quando memorizzate le tracce per la modalità di riproduzione PROGRAM (vedi sotto). Queste selezioni vengono effettuate premendo continuamente i tasti TRACK fino a che viene raggiunta la traccia desiderata.

Nella modalità PROGRAM, i tasti TRACK fanno avanzare o retrocedere alla traccia successiva nella lista di selezione memorizzata.

Tasti DIRECT ACCESS B

(solo comando a distanza)

Questi undici tasti numerici (marcati da 1 a 10) sono utilizzati per accedere direttamente a una traccia dal comando a distanza a raggi infrarossi anziché selezionando le tracce utilizzando i tasti TRACK.

Le prime dieci tracce sul disco possono essere selezionate premendo il tasto corrispondente sul controllo a distanza. Per esempio, per riprodurre la terza traccia premere il tasto 3 sul comando a distanza.

Quando dovete accedere a numeri di traccia più alti di 10, premete il tasto > 10 seguito dal numero di traccia. Per esempio, per selezionare la traccia 12, premete >10 seguito dal tasto 1 e poi dal tasto 2.

Il numero della traccia selezionata apparirà nell'area numerica principale al centro del display.

C'è anche una matrice di traccia quattro per quattro (1-16) collocata al lato destro del display. Questo display indica tutte le tracce sul disco. Se sul disco ci sono più di 16 tracce, tutte le cifre si illumineranno seguite dalla parola OVER, indipendentemente dalla traccia che viene riprodotta. Questa matrice è indipendente dall'area numerica principale del display che indicherà sempre la traccia in corso, anche se superiore al numero 16.

I pulsanti DIRECT ACCESS possono anche essere utilizzati per memorizzare tracce in modalità PROGRAM (vedi sotto).

Tasti SEARCH 11 K

Questi tasti fanno avanzare o retrocedere velocemente il disco in riproduzione quando vengono premuti. Mentre i tasti sono premuti, udirete a velocità accelerata, lasciando andare il tasto si ritornerà in modalità PLAY.

Altre Caratteristiche

Queste caratteristiche aggiungono ulteriori funzioni all'RCD-1070, inclusa la possibilità di riprodurre dischi ad alta definizione HDCD, di memorizzare un gruppo di tracce per l'ascolto, di ripetere un disco, programma o traccia più volte, di riprodurre le tracce su un disco in ordine sparso, di segnare un singolo passaggio di un brano per la riproduzione in playback, di riprodurre automaticamente i primi 10 secondi di ogni traccia e di selezionare diversi display di tempo disponibili.

HDCD® 3

HDCD® è una tecnica di codifica che consente a un CD di avere una gamma dinamica più estesa, una distorsione ridotta e un maggiore dettaglio. Quando utilizzate dischi con codifica HDCD l'RCD-1070 può riprodurre una gamma dinamica fino a 18 bit. I dischi HDCD sono identificabili dal logo HDCD sulla confezione.

Non è necessaria nessuna operazione da parte dell'utente per riprodurre una registrazione HDCD. Il lettore CD riconosce automaticamente la codifica HDCD e attiva la circuitazione. La spia HDCD sul pannello anteriore si illuminerà per indicare che un disco HDCD è in riproduzione.

Tasto PROGRAM **4 J**

Questo tasto con indicazione PROG, vi permette di memorizzare fino a 20 tracce sul disco per una riproduzione in un ordine specifico. Per esempio, potreste dare istruzione all'RCD-1070 di riprodurre la traccia 5, seguita dalla traccia 3, seguita dalla 8. Per iniziare un programma:

1. Inserite un disco e premete il tasto OPEN/CLOSE per richiudere il cassetto. L'RCD-1070 leggerà il contenuto del disco.
2. Premete il tasto PROGRAM sul pannello anteriore o sul comando a distanza. La spia PROGRAM si illuminerà sul display insieme a "P:00" indicando che l'apparecchio è in attesa per la prima traccia per essere memorizzata.
3. Per programmare le tracce dal comando a distanza digitate il numero della prima traccia utilizzando i tasti DIRECT ACCESS. La vostra selezione verrà automaticamente memorizzata e l'indicatore sul display cambierà in "P:01", indicando che una traccia è stata memorizzata. Continuate a digitare le rimanenti selezioni utilizzando i tasti DIRECT ACCESS. Notate che non è necessario premere il tasto PROGRAM in quanto ogni selezione viene memorizzata non appena avete digitato.
4. Per programmare le tracce dal pannello frontale, selezionate il numero della prima traccia utilizzando i tasti TRACK. Il numero di traccia e il numero di programma lampeggerà sul display per tre secondi. Mentre il display lampeggia, premete il tasto PROGRAM per memorizzare la vostra selezione. Notate che una volta che smette di lampeggiare non potrete più memorizzare la vostra selezione. Per memorizzare altre tracce selezionatele con i tasti TRACK, premendo il tasto PROGRAM dopo ogni selezione.

Una volta che avete memorizzato una lista di brani, l'RCD-1070 rimane in modalità PROGRAM fino a che voi aprite il cassetto del disco o premete il tasto STOP per due volte in successione. Se premete il tasto PLAY verrà riprodotto il programma memorizzato anziché l'intero disco, iniziando con la prima selezione della lista memorizzata.

Quando un programma è stato memorizzato, la maggior parte delle funzioni che avrebbero effetto sull'intero disco si attivano solo sul programma memorizzato. Per esempio, i pulsanti TRACK avanzano alla traccia successiva nel programma memorizzato, non alla traccia successiva sul disco. Allo stesso modo, il tasto REPEAT (vedi sotto) riproduce in continuazione il programma memorizzato non l'intero disco.

Tasto REVIEW **5 I**

Questo tasto è utilizzato per rivedere le tracce memorizzate nella modalità PROGRAM. Premete il tasto e il primo numero di traccia memorizzato apparirà nell'ordine sul display, lampeggiando approssimativamente per cinque secondi. Premendo ancora il tasto REVIEW mentre il numero di traccia sta lampeggiando, continuerà la sequenza, mostrando la successiva traccia memorizzata. Continuate a premere il tasto REVIEW per vedere la lista completa dei brani delle tracce memorizzate.

Se non premete il tasto REVIEW mentre il numero di traccia sta lampeggiando, il procedimento è concluso e l'apparecchio ritorna nella modalità in cui si trovava precedentemente, eccetto l'ultimo numero di traccia rivisto che resterà attivo e indicato sul display.

Notate che potete rimuovere una selezione dalla lista dei brani durante la procedura di review utilizzando il tasto CLEAR come viene descritto più avanti.

Tasto CLEAR **H**

(solo comando a distanza)

Questo tasto vi consente di eliminare una selezione di tracce dalla lista di brani del programma memorizzato durante la procedura di review descritta sopra. Seguite la procedura di review fino a che la traccia desiderata lampeggia. Quindi, mentre premete il tasto REVIEW per continuare, rimuovete la traccia indicata nel display schiacciando il tasto CLEAR mentre il numero sta ancora lampeggiando. Potete quindi continuare la procedura di review.

Tasto RANDOM **6 D**

Questo permette al lettore CD di riprodurre tracce dall'intero disco in ordine casuale. Una volta che tutte le selezioni sono state riprodotte per una volta, il disco fermerà la riproduzione, a meno che il tasto REPEAT (vedete più avanti) non sia stato premuto, nel qual caso la riproduzione casuale continuerà finché il TASTO STOP viene premuto. Quando il tasto RANDOM viene premuto, la parola RANDOM appare nel display.

Tasto REPEAT **10 C**

Questo tasto vi consente di ripetere la traccia che state ascoltando o l'intero disco continuamente fino a che la funzione non viene cancellata disinserendo il tasto REPEAT o premendo STOP. Il tasto REPEAT passa in sequenza attraverso le opzioni disponibili. Premete il tasto una volta e l'RCD-1070 ripeterà la traccia che state ascoltando evidenziando sul display l'indicatore REPEAT 1. Premete il tasto una seconda volta e l'RCD-1070 ripeterà l'intero disco indicando sul display REPEAT ALL. Premete il tasto una terza volta per cancellare la funzione REPEAT.

Come notato sopra la funzione REPEAT può essere utilizzata in unione con la modalità RANDOM.

NOTA : La funzione REPEAT viene automaticamente cancellata quando si apre il cassetto del disco.

Tasto SCAN **12 E**

Questa funzione consente la riproduzione automatica dei primi dieci secondi di ogni traccia sul disco (o programma memorizzato). Per attivare la funzione, premete il tasto SCAN. La parola INTRO appare nel Display. Per fermare la funzione di scanning e tornare alla traccia corrente, premete ancora il tasto SCAN o il tasto PLAY.

Tasto TIME

Normalmente, l'RCD-1070 indica il tempo trascorso della traccia in riproduzione. Il pulsante TIME vi consente di avere due display di tempo in alternativa. Premendo il tasto una volta appare il tempo rimanente della traccia, che scorre all'indietro a mano a mano che la traccia prosegue nella riproduzione. Premendo il tasto per una seconda volta appare il tempo rimanente dell'intero disco (o programma memorizzato). Premendo il pulsante un terza volta si ritorna al display standard del tempo trascorso. Quando la funzione TIME è attivata, la parola REMAIN appare nel Display.

Ricerca Dei Guasti

Nei sistemi audio molti problemi derivano da collegamenti sbagliati o inadeguate regolazioni dei controlli. Se vi si pone un problema, isolate l'area critica, verificate le regolazioni dei controlli, determinate la causa del problema e operate i necessari cambiamenti. Se non siete in grado di far suonare l'RCD-1070 fate riferimento ai suggerimenti per le condizioni che seguono:

La Spia di alimentazione non si illumina

La spia di accensione e gli elementi di base sullo schermo del display dovrebbero essere accesi ogni volta che l'RCD-1070 è collegato alla presa di alimentazione nel muro e viene premuto il pulsante di accensione. Se non si accende controllate la presa di alimentazione con un altro apparecchio elettrico, come una lampada. Assicuratevi che la presa di alimentazione in uso non sia controllata da un interruttore che è stato disattivato.

Sostituzione del Fusibile

Se un altro apparecchio elettrico funziona una volta collegato alla presa di alimentazione, e la spia di accensione continua a non illuminarsi, significa che potrebbe essersi bruciato il fusibile di alimentazione interno. Se ritenete che ciò sia successo, contattate il vostro rivenditore Rotel per la sostituzione del fusibile.

Nessun Suono

Controllate che i cavi dalla sorgente di segnale agli ingressi dell'RCD-1070 siano collegati correttamente. Controllate che il selettore d'ascolto sia posizionato sull'ingresso corretto. Assicuratevi che il tape monitor dell'amplificatore non sia stato inserito. Controllate tutti i cablaggi tra l'amplificatore e i diffusori.

Caratteristiche

| | |
|---|--|
| Distorsione armonica totale + Rumore | 0,0045% @ 1kHz |
| Distorsione di intermodulazione | 0.0045% @ 1kHz |
| Risposta in frequenza ($\pm 0,5$ dB) | 20 - 20.000 Hz |
| Bilanciamento tra i canali | $\pm 0,5$ dB |
| Linearità di fase | $\pm 0,5^\circ$ |
| Separazione tra i canali | > 98 dB @ 1kHz |
| Rapporto S/N | > 100 dB |
| Gamma dinamica | > 96 dB |
| Convertitori D/A | DAC Delta-Sigma multilivello, equivalente a 18bit con filtro digitale di sovraccampionamento 8x e HDCD |
| Wow & Flutter, scarto di velocità | Precisione al quarzo |
| Impedenza di uscita | 100 Ohm |
| Uscita digitale | 0,5 Volt, Picco a Picco |
| Impedenza del carico | 75 ohm |
| Alimentazione | 230 Volt, 50 Hz |
| Assorbimento | 20 Watt |
| Dimensioni | 432 x 93 x 337 mm |
| Altezza pannello frontale (per montaggio a rack) | 80 mm |
| Peso (netto) | 5,8 Kg |

Tutte le caratteristiche sono corrette al momento della stampa. Rotel si riserva il diritto di apportare modifiche senza alcun preavviso.

Rotel e il logo Rotel hi-fi sono marchi registrati della Rotel Co. Ltd. Tokyo Japan.

HDCD è un marchio registrato della Pacific Microsonics, Inc., CA, U.S.A.

ADVERTENCIA: No hay componentes manipulables por el usuario en el interior del aparato. Cualquier operación de mantenimiento debe ser llevada a cabo por personal cualificado.

ADVERTENCIA: Para reducir el riesgo de que se produzca un incendio o una descarga eléctrica, no exponga el aparato al agua o la humedad ni permita que ningún objeto extraño penetre en su interior. Si el aparato está expuesto a la humedad o algún objeto extraño penetra en su interior, desconecte inmediatamente el cable de alimentación de la red eléctrica. En caso de que fuera necesario, envíe el aparato a un especialista cualificado para su inspección y posterior reparación.

Lea todas las instrucciones del presente manual antes de conectar o hacer funcionar el aparato. Conserve este manual cerca de usted para el caso de que necesite revisar las instrucciones de seguridad que se indican a continuación.

Tenga siempre en mente las advertencias y la información relativa a seguridad que figuran tanto en estas instrucciones como en el propio aparato. Siga al pie de letra todas las instrucciones relacionadas con el funcionamiento del mismo.

Limpie el exterior del aparato únicamente con una gamuza seca o un aspirador.

Debe dejar unos 10 centímetros de espacio libre alrededor del aparato. No coloque nunca el aparato en una cama, un sofá, una alfombra o una superficie similar susceptible de bloquear las ranuras de ventilación. Si el aparato está ubicado en la estantería de una librería o un mueble, debe haber suficiente espacio a su alrededor y ventilación en el mueble para permitir una refrigeración adecuada.

Mantenga al aparato alejado de radiadores, estufas, cocinas o de cualquier otra instalación que produzca calor.

El aparato debe ser conectado únicamente a una fuente de alimentación del tipo y la tensión especificados en su panel posterior.

Conecte el aparato a una toma de corriente eléctrica únicamente a través del cable de alimentación de dos clavijas polarizado suministrado de serie o un equivalente exacto del mismo. No modifique de ningún modo dicho cable. No intente desactivar los terminales destinados a la conexión a tierra o polarización. No utilice ningún tipo de cable de extensión.

No coloque el cable de alimentación en lugares en que pueda ser aplastado, pinchado, doblado en ángulos críticos, expuesto al calor o dañado de algún modo. Preste particular atención al punto de unión entre el cable y la toma de corriente y también a la ubicación de esta última en el panel posterior del aparato.

El cable de alimentación debería desconectarse de la red eléctrica cuando el aparato no vaya a ser utilizado durante un largo periodo de tiempo (por ejemplo las vacaciones de verano).

Desconecte inmediatamente el aparato y envíelo a un servicio técnico cualificado para su inspección/reparación si:

- El cable de alimentación o alguna clavija del mismo ha sido dañado
- Han caído objetos o se ha derramado líquido en el interior del aparato.
- El aparato ha sido expuesto a la lluvia.
- El aparato muestra signos de funcionamiento inadecuado.
- El aparato ha sido golpeado o dañado de algún modo.

Coloque el aparato sobre una superficie fija y equilibrada que sea suficientemente resistente para soportar su peso. No coloque nunca el aparato en una carretilla móvil de la que pueda volcar.



Contenido

| | |
|--|-----------|
| Figura 1: Controles y Conexiones | 3 |
| Figura 2: Mando a Distancia RR-D94 | 3 |
| Figura 3: Salidas Analógicas | 4 |
| Figura 4: Salidas Digitales | 4 |
| Acerca de Rotel | 29 |
| Para Empezar | 29 |
| Algunas Precauciones | 29 |
| Colocación | 29 |
| Identificación de los Controles | 29 |
| Alimentación y Control | 29 |
| Entrada de Corriente Eléctrica Alterna 22 | 29 |
| Conmutador 1 e Indicador Luminoso 2 | |
| de Puesta en Marcha | 30 |
| Conexiones de Salida | 30 |
| Salidas Analógicas 19 | 30 |
| Salida Digital 20 | 30 |
| Entrada para Señal de Disparo de 12 Voltios 21 | 30 |
| Funcionamiento | 30 |
| Mando a Distancia por Infrarrojos 9 | 30 |
| Visualizador de Funciones 8 | 30 |
| Bandeja de Transporte 7 | 30 |
| Teclas de Control del Sistema de Transporte 30 | |
| Tecla OPEN/CLOSE 14 A | 31 |
| Tecla PLAY 15 M | 31 |
| Tecla STOP 16 F | 31 |
| Tecla PAUSE 17 N | 31 |
| Teclas TRACK 18 L | 31 |
| Teclas DIRECT ACCESS B | 31 |
| Teclas SEARCH 11 K | 31 |
| Funciones y Prestaciones Adicionales 31 | |
| HDCD® 3 | 31 |
| Botón PROGRAM 4 J | 32 |
| Botón REVIEW 5 I | 32 |
| Botón CLEAR H | 32 |
| Botón RANDOM 6 D | 32 |
| Botón REPEAT 10 C | 32 |
| Botón SCAN 12 E | 32 |
| Botón TIME 13 G | 33 |
| Problemas y Posibles Soluciones | 33 |
| El Indicador Luminoso de Puesta en Marcha | |
| No Se Activa | 33 |
| Sustitución del Fusible | 33 |
| No Hay Sonido | 33 |
| Características Técnicas | 33 |

Acerca de Rotel

Rotel fue fundada hace más de 40 años por una familia cuyo entusiasta interés por la música le condujo a diseñar y construir componentes de Alta Fidelidad sin ningún tipo de compromiso. Esta pasión ha permanecido inalterada durante todo este tiempo, hasta el punto de que el objetivo de los fundadores de la compañía -proporcionar productos de la máxima calidad a melómanos y audiófilos independientemente de cuales sean sus posibilidades económicas- es compartido por todos sus empleados.

Los ingenieros de Rotel trabajan como un equipo compacto, escuchando y llevando a cabo el ajuste fino de cada nuevo producto hasta que satisface de manera exacta los estándares de calidad musical para los que fue diseñado. Para lograrlo, disponen de la máxima libertad para escoger los mejores componentes allí donde se encuentren. Le sorprenderá agradablemente encontrar exquisitos condensadores procedentes del Reino Unido y Alemania o semiconductores de Japón o Estados Unidos, mientras que los transformadores toroidales de potencia son contruidos en la propia factoría de Rotel.

Rotel se ha ganado a pulso, a través de a cientos de artículos, bancos de pruebas y galardones firmados por los críticos especializados más respetados del mundo, una sólida reputación por la excelencia de sus productos. Los comentarios de estos profesionales que escuchan música cada día hacen posible que la compañía se reafirme en la validez de sus objetivos: la puesta a punto de componentes y equipos musicales fiables y asequibles.

Le agradecemos que haya adquirido este producto y esperamos que le permita disfrutar de su música predilecta durante largos años.

Para Empezar

Gracias por comprar el Reproductor de Discos Compactos Rotel RCD-1070. Su mecanismo de transporte de alta precisión es acompañado por un convertidor D/A Delta-Sigma multinivel con resolución equivalente de 18 bits que incorpora óctuple sobremuestreo y descodificación HDCD. Combinadas con el exclusivo Concepto de Diseño Equilibrado de Rotel, estas particularidades tecnológicas garantizan que el RCD-1070 le proporcionará en todo momento unos resultados excepcionales en la reproducción de la música. Utilizado en un sistema de audio de alta calidad, su reproductor de discos compactos Rotel le proporcionará años y años de satisfacción en la escucha de sus grabaciones favoritas.

Algunas Precauciones

Le rogamos que lea cuidadosamente el presente manual de instrucciones. Además de las instrucciones básicas de instalación y puesta a punto del RCD-1070, incluye información de gran valor sobre las diferentes configuraciones que permite el aparato, así como información general que le ayudará a optimizar las prestaciones de su sistema. Le rogamos asimismo que contacte con su distribuidor autorizado de Productos Rotel para cualquier duda o consulta. No le quepa la menor duda de que todos sus comentarios y observaciones serán bien recibidos.

Guarde el embalaje del RCD-1070 y todo el material en él contenido para un posible uso futuro del mismo. El embalaje o transporte del RCD-1070 en condiciones diferentes de las originales puede provocar serios daños en el aparato no cubiertos por la garantía.

Rellene y envíe la tarjeta de garantía suministrada junto con el RCD-1070. Asegúrese asimismo de mantener en su poder la factura de compra original puesto que es la mejor manera de que usted se acuerde de la fecha de compra, un dato esencial en caso de que necesite asistencia técnica durante el período de garantía.

Colocación

Utilice el sentido común cuando coloque el RCD-1070 en un mueble o lo sitúe encima de otros componentes de su equipo. Asegúrese de que la estantería o el mueble utilizado pueda soportar perfectamente el peso del aparato. No coloque componentes de peso elevado encima del RCD-1070. Evite colocar el aparato en lugares en los que pueda estar sometido a un calor excesivo, como por ejemplo la parte superior de un amplificador de potencia de grandes dimensiones o cerca de un radiador de calefacción. Para obtener los mejores resultados posibles, evite colocar el RCD-1070 en lugares en los que pueda ser afectado por vibraciones mecanoacústicas, como por ejemplo cerca de una caja acústica.

HDCD, High Definition Compatible Digital y Pacific Microsonics son o bien marcas o bien marcas registradas de Pacific Microsonics, Inc. en Estados Unidos y/o otros países. El sistema HDCD es fabricado bajo licencia de Pacific Microsonics, Inc. Este producto está cubierto por una o más de las siguientes patentes: 5.479.168, 5.638.074, 5.640.161, 5.808.574, 5.838.274, 5.854.600 y 5.872.531 en Estados Unidos y 669.114 en Australia. Hay otras patentes pendientes.

Identificación de los Controles

La cubierta de este manual contiene un desplegable en el que se muestran las ilustraciones correspondientes a los paneles frontal y posterior del RCD-1070 y el mando a distancia RR-D94. Cada uno de los iconos de las diferentes ilustraciones es identificado con un carácter en una caja con fondo gris. A lo largo de este manual, los iconos referidos al texto están identificados por el correspondiente carácter. Los iconos correspondientes a los canales frontal y posterior son identificados con un carácter numérico, como por ejemplo **1**, mientras que los correspondientes al mando a distancia son identificados con un carácter alfabético, como por ejemplo **A**.

Alimentación y Control

Entrada de Corriente Eléctrica Alterna **22**

Su RCD-1070 está configurado en fábrica para que trabaje con la tensión de red correcta que corresponda al país en el que ha sido comprado (115 ó 230 voltios de corriente alterna con una frecuencia de 50 ó 60 Hz). Dicha configuración está indicada en un lugar visible del panel posterior del aparato.

Nota: En caso de que tuviese que trasladar su RCD-1070 a otro país, es posible reconfigurarlo para que pueda trabajar con tensiones de red diferentes de la establecida en fábrica. No intente llevar a cabo esta conversión por su cuenta. El acceso al interior del RCD-1070 le expone a tensiones peligrosas. Para cualquier información al respecto, le rogamos que contacte con personal cualificado o llame al departamento de asistencia técnica postventa de Rotel.

El RCD-1070 debería ser conectado directamente a una toma de corriente polarizada de dos clavijas o a una toma de corriente alterna conmutada ("switched") de otro componente de su sistema de audio. No utilice ningún cable de extensión.

Asegúrese de que el interruptor de puesta en marcha del panel frontal del RCD-1070 está desactivado (posición "hacia fuera"). A continuación, conecte uno de los extremos del cable de alimentación suministrado de serie al receptáculo correspondiente situado en su panel posterior y el otro a una toma de corriente eléctrica.

Si va a estar fuera de su casa durante un largo período de tiempo -por ejemplo las vacaciones de verano-, le recomendamos, como precaución básica, que desconecte su reproductor de discos compactos (así como el resto de componentes de audio y vídeo de su equipo) de la red eléctrica.

Conmutador 1 e Indicador Luminoso 2 de Puesta en Marcha

El conmutador de puesta en marcha está ubicado en el panel frontal de su reproductor de discos compactos. Púlselo para poner en marcha el RCD-1070. Tanto el indicador luminoso situado encima del mismo como el visualizador de funciones se activarán, indicando que el aparato está conectado. Para desconectar el RCD-1070, basta con que pulse de nuevo el mencionado botón a fin de que éste regrese a su posición inicial.

Nota: Si va a utilizar una toma de corriente conmutada para activar y desactivar su lector de discos compactos, debería dejar siempre activado (posición "on", es decir "hacia dentro") el conmutador de puesta en marcha. De este modo, cada vez que el aparato reciba energía eléctrica se situará en su modo activo.

Conexiones de Salida

El RCD-1070 le permite escoger entre dos tipos diferentes de señales de salida: una señal de salida analógica procedente de los circuitos de conversión D/A internos para utilizar conjuntamente con componentes de audio analógicos convencionales y una salida digital que suministra una señal de datos digitales no procesada para ser tratada por convertidores D/A o procesadores digitales externos.

Nota: Para evitar que se produzcan ruidos de alta intensidad susceptibles de ser percibidos por usted o sus cajas acústicas, asegúrese de que su lector de discos compactos está desactivado cuando esté llevando a cabo las distintas conexiones.

Salidas Analógicas 19

(Ver Figura 3 para la realización de las conexiones pertinentes)

Un par de conectores RCA estándar permiten enviar una señal de salida analógica desde el RCD-1070 a las entradas pertinentes de un preamplificador, amplificador integrado o receptor de audio.

Seleccione cables de interconexión de alta calidad para la conexión del RCD-1070 a su equipo. Conecte el canal de salida izquierdo del RCD-1070 a la correspondiente entrada de fuente del canal izquierdo del preamplificador, receptor o amplificador integrado de audio y repita la operación con el canal derecho.

Salida Digital 20

(Ver Figura 4 para la realización de las conexiones pertinentes)

Si usted piensa utilizar un convertidor D/A externo u otro procesador digital, necesitará disponer de una señal de datos digitales no procesada (es decir que no haya pasado por los circuitos de conversión D/A del aparato) procedente del RCD-1070. Esta señal es suministrada por la toma de salida digital coaxial situada en el panel posterior del aparato. Utilizando un cable digital coaxial estándar de 75 ohmios de impedancia característica, conecte la salida digital del RCD-1070 al conector digital de entrada correspondiente del convertidor D/A o procesador digital externo.

Entrada para Señal de Disparo de 12 Voltios 21

El RCD-1070 puede ser activado por una señal de disparo de 12 voltios. La entrada para señal de disparo acepta cualquier señal de control (tanto si es alterna como continua) de valor comprendido entre 3 voltios y 30 voltios. Cuando se conecta un cable a la entrada de 12V y en la misma está presente una señal de disparo, el RCD-1070 se activará. Cuando la señal de disparo sea desactivada, el aparato se situará en la posición de espera ("standby"). El indicador luminoso de puesta en marcha del panel frontal permanecerá activado pero el visualizador de funciones se apagará y el aparato dejará de funcionar.

NOTA: Cuando utilice la señal de disparo de 12V, deje el botón de PUESTA EN MARCHA ("POWER") en la posición ON.

Funcionamiento

El RCD-1070 puede ser gobernado indistintamente utilizando los botones y teclas de su panel frontal o desde los equivalentes de los mismos situados en el mando a distancia suministrado de serie. Las instrucciones específicas para el uso de cada uno de estos controles se detallan a continuación. La mayoría de teclas y botones están duplicados en el panel frontal y el mando a distancia por infrarrojos; hay, sin embargo, unas pocas excepciones en las que los controles están únicamente disponibles en uno u otro. Dichas excepciones se contemplan en el presente manual de instrucciones.

Mando a Distancia por Infrarrojos 9

Antes de utilizar el mando a distancia por infrarrojos, es necesario instalar dos pilas del tipo "AAA" (suministradas de serie). Quite la cubierta de plástico situada en la parte posterior del mando a distancia por infrarrojos, instale las pilas (observando siempre que se respeten las indicaciones de polaridad) y vuelva a colocar la cubierta.

Para utilizar el mando a distancia por rayos infrarrojos, apúntelo hacia el sensor de infrarrojos 9 ubicado en la esquina inferior izquierda del panel frontal del RCD-1070.

Visualizador de Funciones 8

Un visualizador de funciones iluminado situado en el panel frontal del RCD-1070 proporciona información útil sobre el estado del aparato, así como sobre la activación de funciones especiales y sobre los tiempos y pistas del disco que está siendo reproducido. Cada una de estas indicaciones es descrita en las instrucciones detalladas que siguen.

| | | | | |
|-------------------|--------|-------|-------|-------------|
| PROGRAM RANDOM | REPEAT | 1 ALL | INTRO | 1 2 3 4 |
| ▶▶ | 02 | MIN | SEC | 5 6 7 8 |
| REMAIN | 03:56 | | | 9 10 11 12 |
| | | | OVER | 13 14 15 16 |

Bandeja de Transporte 7

Una bandeja de transporte motorizada ubicada en la parte central del RCD-1070 se desliza hacia el exterior del aparato para aceptar un disco y vuelve a introducirse en él para reproducirlo. Coloque el disco compacto en la bandeja de transporte con la cara impresa hacia arriba asegurándose de que el mismo esté perfectamente centrado en aquélla. La bandeja de transporte puede cerrarse de dos maneras: pulsando la tecla OPN/CLS o pulsando la tecla PLAY.

Teclas de Control del Sistema de Transporte

Estas teclas permiten acceder a las funciones de control básicas del mecanismo de transporte del disco. Excepto en el caso de que se indique lo contrario, todas las funciones están disponibles tanto en el panel frontal del RCD-1070 como en el mando a distancia. Los números encerrados en cajas proporcionan una referencia cómoda para encontrar cada tecla en las ilustraciones del RCD-1070 y su correspondiente mando a distancia que figuran al principio de este manual.

Tecla OPEN/CLOSE 14 A

Cuando la bandeja de transporte esté cerrada, la pulsación de esta tecla hará que la misma se abra automáticamente. Para cerrarla, pulse de nuevo dicha tecla. La bandeja de transporte también se puede cerrar pulsando la tecla PLAY.

Cuando la bandeja de transporte esté abierta, el visualizador de funciones mostrará "OPEN". Cuando esté cerrada y sin ningún disco en su interior, el visualizador de funciones mostrará "NO DISC". Cuando la bandeja de transporte se cierre con un disco en su interior, el visualizador de funciones indicará el número de pistas de dicho disco y la duración total del mismo en minutos y segundos.

Tecla PLAY 15 M

Pulse la tecla PLAY para iniciar la reproducción de un disco. Si la bandeja de transporte está abierta, se cerrará automáticamente. El número de la pista que esté siendo reproducida y el tiempo transcurrido serán mostrados en el visualizador de funciones junto con el indicador PLAY. Por lo general, la reproducción del disco se iniciará en la primera pista del mismo. Sin embargo, usted puede seleccionar una pista diferente utilizando las teclas TRACK o los botones DIRECT ACCESS (ver más adelante) antes de pulsar PLAY para proceder a la reproducción de la misma.

Tecla STOP 16 F

Esta tecla detiene la lectura del disco que esté siendo reproducido y reinicializa el aparato, lo que significa que si se reanuda la lectura la misma se iniciará en la primera pista de dicho disco. Pulsando STOP rápidamente dos veces seguidas se cancelará cualquier selección que haya sido previamente programada (ver más adelante).

Tecla PAUSE 17 N

Esta tecla se utiliza para suspender temporalmente la lectura de un disco. El disco continúa dando vueltas y la lectura del mismo puede reanudarse desde la posición en que se esté en ese momento. El indicador luminoso PAUSE del visualizador de funciones se activará. Para reanudar la lectura del disco, pulse de nuevo la tecla PAUSE o la tecla PLAY.

Teclas TRACK 18 L

Estas teclas se utilizan para seleccionar pistas del disco. Cuando se está reproduciendo un disco, la pulsación de la tecla TRACK de la derecha desplaza el cabezal de lectura hasta el principio de la siguiente pista. La pulsación de la tecla TRACK de la izquierda hace que el cabezal de lectura se sitúe en el inicio de la pista que se está leyendo. Pulsando rápidamente un par de veces seguidas esta última tecla se consigue desplazar el cabezal de lectura al principio de la pista anterior. El nuevo número de pista aparece en el visualizador de funciones.

Estas teclas también son utilizadas para seleccionar una pista antes de pulsar la tecla PLAY o durante la memorización de pistas para el modo de lectura programada (ver más adelante). Estas selecciones son efectuadas pulsando de manera continuada las teclas TRACK hasta que se alcance la pista deseada.

En el modo de lectura programada (PROGRAM), las teclas TRACK permiten avanzar o retroceder hacia la pista siguiente en la lista de temas seleccionados almacenada en la memoria del RCD-971.

Teclas DIRECT ACCESS B

(sólo en el mando a distancia)

Estas once teclas numéricas (señalizadas como 1 a 10 y >10) son utilizadas para acceder directamente a una pista desde el mando a distancia por infrarrojos en vez de saltar a través de las diferentes pistas con ayuda de las teclas TRACK.

Pueden seleccionarse las primeras diez pistas de un disco pulsando la tecla correspondiente. Por ejemplo, para reproducir la pista número 3 basta con pulsar la tecla 3 del mando a distancia.

Para acceder a una pista cuyo número es mayor que 10, pulse en primer lugar la tecla >10 y a continuación todos los dígitos correspondientes al número de dicha pista. Por ejemplo, para reproducir la pista 12 pulse >10, a continuación 1 y luego 2.

El número de la pista seleccionada aparecerá en la parte central del Visualizador de Funciones, procediéndose a la reproducción de dicha pista.

Hay también una matriz de cuatro por cuatro retículas para indicar los números de pista (1-16) ubicada en la parte derecha del visualizador de funciones. Esta visualización indica todas las pistas presentes en el disco. Si en un disco hay más de 16 pistas, todos los dígitos de la matriz se activarán acompañados de la palabra OVER independientemente de cual sea la pista que se esté reproduciendo. Esta matriz es independiente del área numérica principal del visualizador de funciones, que siempre indicará el número de la pista que se esté reproduciendo aunque el mismo sea mayor que 16.

Las teclas DIRECT ACCESS también pueden ser utilizadas para memorizar pistas en el modo PROGRAM (ver más adelante).

Teclas SEARCH 11 K

Estas teclas permiten avanzar o retroceder a gran velocidad a través del disco que está siendo reproducido mientras las mismas estén pulsadas. Durante el tiempo que dure dicha pulsación, usted oírà la señal de audio reproducida a alta velocidad. La liberación de dichas teclas le permitirá regresar al modo PLAY.

Funciones y Prestaciones Adicionales

Estas cómodas funciones y prestaciones añaden funcionalidad extra al RCD-1070, incluyéndose entre las mismas la capacidad para leer discos de alta definición codificados en HDCD, la memorización de un determinado número de pistas a reproducir, la repetición de un disco, pista o programa hasta el infinito, la reproducción de las pistas de un disco en orden aleatorio, la reproducción automática de los primeros 10 segundos de cada pista o la selección de uno de los distintos modos de visualización de tiempo disponibles.

HDCD® 3

El HDCD ("High Definition Compatible Digital") es una técnica de codificación que permite dotar de una mayor gama dinámica efectiva, una menor distorsión y un superior nivel de detalle a los discos compactos de audio. Cuando lee discos compactos codificados en HDCD, el RCD-1070 puede reproducir una gama dinámica equivalente a un sistema de 18 bits. Los discos HDCD son identificados por el correspondiente logotipo en su cajetilla.

El funcionamiento del HDCD es totalmente transparente. El reproductor de CD detecta automáticamente la presencia de un disco codificado en HDCD y activa la correspondiente circuitería. El indicador luminoso HDCD situado en el panel frontal del RCD-1070 se activará para confirmar que se está reproduciendo un disco HDCD.

Botón PROGRAM 4 J

Este botón, designado como PROG, le permite memorizar hasta 20 pistas del disco que se esté reproduciendo para su lectura en un orden específico. Por ejemplo, usted podría preparar al RCD-1070 para reproducir la pista 5 seguida de la 3 y la 8. Para crear un programa:

1. Inserte un disco y pulse la tecla OPN/CLS para cerrar la bandeja de transporte. El RCD-1070 leerá el contenido del disco.
2. Pulse el botón PROGRAM del panel frontal o del mando a distancia. El indicador luminoso PROGRAM del visualizador de funciones se activará junto con "P:00" para confirmar que el aparato está esperando que se le introduzca la primera pista a memorizar.
3. Para programar pistas desde el mando a distancia, introduzca el primer número de pista utilizando las teclas DIRECT ACCESS. Su selección será automáticamente memorizada y el indicador del visualizador de funciones cambiará a "P:01" indicando que se ha memorizado una pista. A continuación, introduzca el resto de pistas con ayuda de los botones DIRECT ACCESS. Observe que no hay ninguna necesidad de pulsar el botón PROGRAM puesto que cada pista es memorizada a medida que se introduce en la selección.
4. Para programar pistas desde el panel frontal, seleccione el primer número de pista utilizando las teclas TRACK. Tanto el número de pista como el número de programa parpadearán durante 3 segundos en el visualizador de funciones. Mientras el visualizador de funciones esté parpadeando, pulse el botón PROGRAM para memorizar su selección. Observe que una vez que el visualizador de funciones deja de parpadear ya no le será posible memorizar su selección. Para memorizar pistas adicionales, selecciónelas con las teclas TRACK pulsando el botón PROGRAM después de cada selección.

Una vez haya memorizado una lista de temas a reproducir, el RCD-1070 permanecerá en el modo PROGRAM hasta que usted abra la bandeja de transporte o pulse dos veces seguidas la tecla STOP. Si usted pulsa la tecla PLAY, se reproducirá el programa memorizado en vez de la totalidad del disco, iniciándose la lectura en la primera pista de la lista memorizada.

Cuando se haya memorizado un programa, la mayoría de funciones que en condiciones normales afectarían a la totalidad del disco actuarán únicamente sobre el programa en cuestión. Por ejemplo, las teclas TRACK permitirán avanzar hacia la pista siguiente del programa memorizado y no a la siguiente pista de dicho disco. Del mismo modo, el botón REPEAT (ver más adelante) hará que se reproduzca de manera continua el programa memorizado en vez de la totalidad del disco.

Botón REVIEW 5 I

Este botón se utiliza para revisar las pistas memorizadas en el modo PROGRAM. Púselo y el número de la primera pista memorizada aparecerá en el visualizador de funciones parpadeando durante aproximadamente 5 segundos. Pulsando de nuevo el botón REVIEW mientras el número de pista todavía está parpadeando se podrá continuar revisando la secuencia, mostrándose la siguiente pista memorizada. Continúe pulsando el botón REVIEW para ver la totalidad de la lista memorizada.

Si no pulsa el botón REVIEW mientras el número de pista está parpadeando, el proceso de revisión finalizará y el aparato reanudará la lectura en el modo en que estaba situado antes de que usted iniciara el proceso de revisión excepto en el caso de que el último número de pista revisado permanezca activado y esté siendo mostrado en el visualizador de funciones.

Observe que durante el proceso de revisión usted puede suprimir un tema determinado de la lista programada con ayuda del botón CLEAR, tal y como se describe a continuación.

Botón CLEAR H

(sólo en el mando a distancia)

Este botón le permite suprimir una pista del programa memorizado durante el proceso de revisión que se acaba de describir. Siga ejecutando dicho proceso hasta que el número de pista deseado parpadee. A continuación, en vez de pulsar el botón REVIEW para proseguir, suprima la pista visualizada pulsando el botón CLEAR mientras el número todavía esté parpadeando. Después de ello podrá proseguir con el proceso de revisión.

Botón RANDOM 6 D

Este botón permite que el lector de discos compactos lea la totalidad de las pistas de un determinado disco en orden aleatorio. Cuando todas las pistas hayan sido leídas una sola vez, el disco se detendrá a menos que haya sido pulsado el botón REPEAT (ver más adelante), en cuyo caso la lectura aleatoria proseguirá hasta que se pulse la tecla STOP. Cuando se pulsa el botón RANDOM, aparece la palabra RANDOM en el visualizador de funciones.

Botón REPEAT 10 C

Este botón le permite repetir la pista o la totalidad del disco que esté siendo reproducido hasta que la función correspondiente se desactive o se pulse la tecla STOP. El botón REPEAT salta secuencialmente entre las opciones disponibles. Púselo una sola vez y el RCD-1070 repetirá la pista que esté siendo reproducida en ese momento, mostrando REPEAT 1 en el visualizador de funciones. Púselo una segunda vez y el RCD-1070 repetirá la totalidad del disco, mostrando REPEAT ALL en el visualizador de funciones. Pulse el botón una tercera vez para cancelar la función REPEAT.

Tal y como se indica en líneas anteriores, la función REPEAT puede utilizarse conjuntamente con la función de lectura aleatoria (RANDOM).

Nota: La función REPEAT es automáticamente cancelada cuando se abre la bandeja de transporte.

Botón SCAN 12 E

La función SCAN ("EXPLORACION") permite leer de modo automático los primeros diez segundos de cada pista del disco (o de cualquier programa previamente memorizado). Para activarla, pulse el botón SCAN. La palabra INTRO aparece en el visualizador de funciones. Para detener el barrido y reanudar el funcionamiento normal en la pista en que se esté, pulse de nuevo el botón SCAN o la tecla PLAY.

Botón TIME

Normalmente, el RCD-1070 muestra el tiempo transcurrido de la pista que se está leyendo. El botón TIME le permite saltar entre dos visualizaciones de tiempo alternativas. La pulsación de dicho botón una sola vez permite visualizar el tiempo restante de la pista que se está reproduciendo, que se muestra en sentido decreciente a medida que la misma se va leyendo. La pulsación de la tecla una segunda vez permite visualizar el tiempo restante de la totalidad del disco (o del programa memorizado). La pulsación de la tecla una tercera vez permite regresar a la visualización estándar del tiempo transcurrido. Cuando se activa la función TIME, la palabra REMAIN aparece en el visualizador de funciones.

Problemas y Posibles Soluciones

La mayoría de dificultades que suelen producirse en los sistemas de audio son el resultado de conexiones realizadas incorrectamente o ajustes inapropiados. En caso de que se encuentre con algún problema, aísle en primer lugar el área afectada, compruebe los ajustes de control realizados, determine la causa del fallo y haga los cambios necesarios. Si se ve incapaz de hacer funcionar al RCD-1070, considere las sugerencias que le damos para las siguientes condiciones:

El Indicador Luminoso de Puesta en Marcha No Se Activa

El indicador luminoso de puesta en marcha y los iconos básicos de la ventana de visualización de funciones deberían activarse cada vez que el RCD-1070 fuese conectado a una toma de corriente eléctrica alterna y se pulsara su conmutador de puesta en marcha. Si el citado indicador no se activa, compruebe la toma de corriente con otro dispositivo eléctrico, como por ejemplo una bombilla. Asegúrese de que dicha toma de corriente no esté controlada por un interruptor que haya sido desactivado.

Sustitución del Fusible

En el caso de que otro dispositivo eléctrico conectado a la toma anterior funcione correctamente pero el indicador de puesta en marcha y el visualizador de funciones del RCD-1070 sigan sin activarse cuando este último es conectado a dicha toma, significa que es muy posible que el fusible de protección interno se haya fundido. Si usted cree que ha sucedido esto, contacte con su distribuidor autorizado de productos Rotel para que le proporcione un fusible nuevo y se lo instale adecuadamente.

No Hay Sonido

Compruebe los cables que unen el RCD-1070 a las entradas del amplificador para asegurarse de que han sido conectados correctamente. Asegúrese de que se ha seleccionado la entrada del amplificador correspondiente al RCD-1070. Asegúrese de que no haya sido activado el sistema de monitorización de grabaciones ("tape monitor") del amplificador. Verifique el cableado entre el amplificador y las cajas acústicas.

Características Técnicas

| | |
|--|---|
| Distorsión Armónica Total + Ruido | <0'0045% a 1 kHz |
| Distorsión por Intermodulación | <0'0045% a 1 kHz |
| Respuesta en Frecuencia ($\pm 0'5$ dB) | 20-20.000 Hz |
| Balance entre Canales | $\pm 0'5$ dB |
| Linealidad de la Fase | $\pm 0'5^\circ$ |
| Separación entre Canales | >98 dB a 1 kHz |
| Relación Señal/Ruido | >100 dB |
| Gama Dinámica | >96 dB |
| Convertidores D/A | Delta-Sigma multinivel con resolución equivalente de 18 bits, filtro digital con óctuple sobremuestreo y descodificación HDCD |
| Precisión de la Velocidad, Lloro y Témulo | Vinculadas a la Precisión del Cristal de Cuarzo utilizado |
| Impedancia de la Salida Analógica | 100 ohmios |
| Nivel de la Salida Digital | 0'5 voltios de pico a pico |
| Impedancia de Carga | 75 ohmios |
| Alimentación | |
| Versión para EE.UU.: | 115 voltios a 60 Hz |
| Versión para Europa: | 230 voltios a 50 Hz |
| Consumo | 20 vatios |
| Dimensiones (An, Al, P) | 432 x 93 x 337 mm |
| Altura del Panel Frontal (para montaje en rack) | 80 mm |
| Peso Neto | 5'8 kg |

Todas estas características técnicas son correctas en el momento de la impresión del presente manual de instrucciones. Rotel se reserva el derecho a realizar modificaciones en las mismas sin previo aviso.

Rotel y el logotipo Rotel HiFi están registrados por The Rotel Co., Ltd., Tokio, Japón.

HDCD, High Definition Compatible Digital y Pacific Microsonics son o bien marcas o bien marcas registradas de Pacific Microsonics, Inc. en Estados Unidos y/o otros países.

WAARSCHUWING: Om het risico op elektrische schokken of brand te vermijden: zorg dat het apparaat niet nat wordt. Verwijder de kast niet: er bevinden zich in het apparaat geen bedieningsorganen. Indien nodig waarschuw een bevoegd technicus!

EEN LAATSTE WAARSCHUWING: Om het risico op elektrische schokken te voorkomen: laat het apparaat gesloten. Iedere reparatie dient door een gekwalificeerde technicus verricht te worden.

Lees de gehele gebruiksaanwijzing. Voordat u met het apparaat gaat werken is het van groot belang dat u weet hoe u ermee om moet gaan en dat zo veilig mogelijk. Bewaar deze gebruiksaanwijzing op een plek, die u zich na verloop van tijd nog weet te herinneren.

De waarschuwingen op het apparaat en in de gebruiksaanwijzing zijn belangrijk, sla ze niet in de wind.

Als het apparaat vuil wordt, stof het dan af met een zachte droge doek, of maak gebruik van een stofzuiger. Gebruik nooit een oplosmiddel van welke soort dan ook.

Het apparaat moet dusdanig gebruikt worden, dat een behoorlijke koeling niet in het gedrang komt. Voorbeeldjes: Gebruik het apparaat niet op: bed, sofa, plaid of andere onregelmatige oppervlakken, waardoor de ventilatiegaten geblokkeerd zouden kunnen worden. Ook het inbouwen in een te kleine ruimte kan een voldoende koeling in de weg staan.

Het apparaat moet verre gehouden worden van warmtebronnen zoals: radiatoren en kachels, maar ook versterkers.

Het apparaat mag alleen aangesloten worden op het voltage zoals aangegeven op de achterkant, in dit geval 220 - 240 Volts 50 Hz.

Het apparaat dient alleen aangesloten te worden met de bijgeleverde netkabel, of een soortgelijke.

Maatregelen dienen genomen te worden die de aarding en polarisatie van het apparaat niet te niet doen. Gebruik vooral geen verlengsnoeren.

De lichtnetkabel dient zo neergelegd te worden, dat er niet op getrapt of door scherpe voorwerpen geklemd kan worden. Vooral de aansluitpunten zijn belangrijk: de aansluiting in de wandcontactdoos en daar waar de kabel het apparaat binnengaat.

Wanneer het apparaat voor langere tijd niet in gebruik is, dient de lichtnetkabel uit het lichtnet verwijderd te zijn.

Het apparaat zal in service gegeven moeten worden wanneer één van de volgende situaties zich voordoet:

- Wanneer het netsnoer en/of stekker beschadigd zijn.
- Wanneer er toch voorwerpen/vloeistof in het apparaat terecht zijn gekomen.
- Als het apparaat in de regen heeft gestaan.
- Als het apparaat niet normaal functioneert of een duidelijk afwijkend gedrag vertoont..
- Wanneer het apparaat gevallen is en/of de kast beschadigd is.

Plaats de versterker op een vaste, vlakke en stevige ondergrond. Plaats hem niet op een verrijdbare wagen die gemakkelijk om kan vallen.

WAARSCHUWING: Kijk niet in de laserstraal wanneer het apparaat geopend is.



Inhoud

| | |
|---|-----------|
| Figuur 1: Bedieningsorganen en aansluitingen | 3 |
| Figuur 2: De RR-D94 afstandsbediening | 3 |
| Figuur 3: De analoge uitgangen | 4 |
| Figuur 4: De digitale uitgangen: | 4 |
| Wij van Rotel | 35 |
| Aan de slag met de RCD-1070 | 35 |
| Een paar voorzorgsmaatregelen | 35 |
| Een plek voor de RCD-1070 | 35 |
| De letters en cijfers in deze gebruiksaanwijzing | 35 |
| Het aansluiten op het lichtnet en de bediening | 35 |
| De lichtnetkabel 22 | 35 |
| De aan/uitschakelaar 1 met bijbehorende indicator 2 | 36 |
| De aansluitingen | 36 |
| De analoge uitgangen 19 | 36 |
| De digitale uitgang 20 | 36 |
| 12V Trigger ingang 21 | 36 |
| De werking | 36 |
| De infrarood afstandsbediening 8 | 36 |
| Het infoscherm 9 | 36 |
| De lade 7 | 36 |
| De bediening | 36 |
| De "OPEN/CLS" toets 14 A | 36 |
| De "PLAY" toets 15 M | 36 |
| De "STOP" toets 16 F | 37 |
| De "PAUSE" toets 17 N | 37 |
| De "TRACK" toetsen 18 L | 37 |
| De directe nummerkeuzetoetsen van de afstandsbediening B | 37 |
| De "SEARCH" toetsen 11 K | 37 |
| Bijzondere eigenschappen | 37 |
| "HDCD®" 3 | 37 |
| De "PROGRAM" toets 4 J | 38 |
| De "REVIEW" toets 5 I | 38 |
| De "CLEAR" toets H | 38 |
| De "RANDOM" toets 6 D | 38 |
| De "REPEAT" toets 10 C | 38 |
| De "SCAN" toets 12 E | 38 |
| De "TIME" toets 13 G | 38 |
| Wat te doen bij problemen? | 39 |
| De lichtnet-indicator werkt niet | 39 |
| Het vervangen van de zekering | 39 |
| Geen geluid | 39 |
| Technische Gegevens | 39 |

Wij van Rotel

Het is alweer meer dan 40 jaar geleden dat een familie met een gepassioneerde betrokkenheid bij muziek besloot om zelf geluidsapparatuur van onberispelijke kwaliteit te gaan vervaardigen onder de naam Rotel. Door de loop der jaren heen is die passie gebleven en het familiedoel om audiofielen en muzikliefhebbers voor aantrekkelijke prijzen topkwaliteit te bieden wordt door iedere Rotelmedewerker gesteund.

De technici werken als een hecht team al tweakend en luisterend totdat ieder nieuw produkt dat muzikale niveau heeft bereikt dat hun bij de aanvang voor ogen stond. Zij worden volkomen vrijgelaten in hun keuze van componenten, waar ze ook op de wereld vandaan moeten komen. In Rotel apparatuur kunt u condensatoren vinden uit Duitsland en Engeland of half geleiders uit Amerika en Japan, terwijl de ringkerntransformatoren in eigen huis worden vervaardigd.

Onze goede reputatie werd gevestigd door honderden waarderende testrapporten en vele onderscheidingen die wij hebben mogen ontvangen van mensen die uit professie dag in dag uit naar muziek luisteren. Hun kritiek houdt ons bij de les: het vervaardigen van muzikale, betrouwbare en betaalbare apparatuur.

Door de aanschaf van dit produkt danken wij u voor het in ons gestelde vertrouwen en wensen wij u er veel en langdurig plezier mee.

Aan de slag met de RCD-1070

We voelen ons zeer vereerd dat u onze RCD-1070 cd-speler heeft aangeschaft. Met zijn precisie loopwerk, z'n 18 bit gelijkwaardige multilevel Delta-Sigma d/a omzetting, met 8x overbemonstering, HDCD en Rotel's "Balanced Design" concept, verzekert hij u van muziekprestaties op het allerhoogste niveau. Wij geloven dan ook, dat de muziek d.m.v. deze RCD-1070 ten gehore gebracht, voor u een jarenlange bron van plezier zal zijn.

Een paar voorzorgsmaatregelen

Leest u vooral goed de gebruiksaanwijzing. Er staat behalve over het installeren en de bediening, belangrijke informatie in over de verschillende manieren waarop u de RCD-1070 in uw installatie kan inpassen alsmede algemene richtlijnen om het maximale uit uw audio-installatie te halen. Mocht u, ondanks onze pogingen om het u zo duidelijk mogelijk te maken, toch nog vragen hebben aarzel dan niet om met uw Rotel dealer contact op te nemen: hij heeft vast en zeker de antwoorden.

Bewaar als het even kan de verpakking. Altijd handig bij een eventuele verhuizing of wanneer het apparaat opgestuurd moet worden voor reparatie, want er is geen betere bescherming tijdens transport dan zijn eigen doos.

Wanneer u van de ongelofelijk lange garantie van 5 jaar wilt genieten moet u wel even uw garantiebewijs invullen, door uw dealer laten afstempelen, een deel opsturen naar de importeur en uw deel goed bewaren bij de afleverbon van uw leverancier.

Een plek voor de RCD-1070

Gebruik uw gezonde verstand wanneer u een plek zoekt voor de RCD-1070. Controleer of de plank waarop of het meubel waarin u hem zet het gewicht wel kan torsen. Zet geen zware apparatuur of voorwerpen op de speler. Zorg er tevens voor dat hij goed gekoeld blijft door geen warmte producerende toestellen zoals een versterker direct onder hem te plaatsen. Cd-spelers zijn gevoelig voor trillingen van buitenaf zorg dus voor een stabiel plekje en dus ook niet te dicht bij de luidsprekers.

De letters en cijfers in deze gebruiksaanwijzing

Voor in deze gebruiksaanwijzing vindt u de illustraties van de voor- en achterkant van deze speler alsmede die van de afstandsbediening. Alle bedieningsorganen zijn aangegeven met een cijfer (betreffende de speler) of een letter (betreffende de afstandsbediening).

Het aansluiten op het lichtnet en de bediening

De lichtnetkabel 22

Uw RCD-1070 is ingesteld op het lichtnet-voltage van het land waarin hij gekocht is. In uw geval dus 230/240 volts. U kunt het ingestelde voltage controleren op de achterkant van het apparaat.

Extra informatie: *Mocht u ooit moeten verhuizen naar een land met een ander voltage, dan is de speler op dat andere voltage in te stellen. Doe deze operatie NIET zelf, maar laat hem verrichten door uw Rotel leverancier. Deze handelingen zijn voor een niet ingewijden niet van gevaar ontbloeit.*

U doet de steker van de RCD-1070 direct in een zich in de nabijheid bevindende wandcontactdoos of in een geschakelde spanningsuitgang op een van de andere componenten. Gebruik echter om wat voor reden dan ook geen verlengsnoer.

Controleer even of de RCD-1070 echt uitstaat (in de stand "OUT") wanneer u bovenstaande handeling uitvoert.

Als u van plan bent om langdurig van huis te zijn, adviseren wij u uw gehele beeld en geluidsinstallatie (dus ook de RCD-1070) van het lichtnet te ontkoppelen.

HDCD®, *High Definition Compatible Digital* en *Pacific Microsonics™* zijn geregistreerde handelsmerken van *Pacific Microsonics Inc.* in de Verenigde Staten en andere landen. *HDCD* wordt onder licentie vervaardigd van *Pacific Microsonics Inc.* Dit produkt wordt beschermd door één of meerdere van de volgende licentienummers: 5479168, 5638074, 5640161, 5808574, 5838274, 5854600 en 5872531 in de VS en 669114 in Australië. Elders zijn patenten aangevraagd.

De aan/uitschakelaar **1** met bijbehorende indicator **2**

De aan/uitschakelaar vindt u op de voorkant onder de aanduiding "POWER". Wanneer u de speler aan wilt zetten drukt u deze schakelaar in. Het lampje boven deze schakelaar gaat nu aan ten teken dat de speler aan staat. Wanneer u nu nogmaals de schakelaar indrukt begrijpt u waarschijnlijk wat er gebeurt: uit dus.

Extra informatie: Wanneer de RCD-1070 zijn energie ontvangt via een geschakelde uitgang van een van de andere componenten, kunt u hem aan laten staan: hij wordt immers nu aan en uit gezet via dat betreffende apparaat.

De aansluitingen

U kunt de RCD-1070 op twee manieren op uw apparatuur aansluiten. Op de conventionele manier: het linker en rechter signaal van de analoge uitgangen voert u via de bijgeleverde signaal kabels naar de CD ingangen van uw versterker, of u brengt het digitale signaal van de digitale uitgangen via een speciale digitale 75Ω kabel naar de digitale ingang van uw versterker of separate digitaal/analoog omzetter of processor.

Extra informatie: Het is zeer verstandig voor uw gehoor en luidsprekers dat wanneer u signaalverbindingen maakt van welke aard dan ook, uw apparatuur UIT staat.

De analoge uitgangen **19**

(zie figuur 3 voor extra aanwijzingen)

Op de achterkant van de RCD-1070 vindt u de aansluitingen ("OUTPUT ANALOG"). Deze cinch pluggen moeten verbonden worden met de "CD" ingangen van uw (voor)-versterker of tuner-versterker. Let u er vooral op dat u links ("LEFT") en rechts ("RIGHT") juist aansluit.

De digitale uitgang **20**

(zie figuur 4 voor extra aanwijzingen)

Aan de digitale uitgang "OUTPUT DIGITAL" kunt u een externe D/A omzetter aansluiten. Hiervoor heeft u een speciale afgeschermd 75Ω kabel nodig met cinch connectoren. Het muzikale genoeg kunt u vooral verhogen door betere verbindingkabels te gebruiken. Dit laatste geldt nog duidelijker voor de analoge verbindingen. Vraag uw handelaar ernaar: het resultaat zal u verbazen.

12V Trigger ingang **21**

De RCD1070 kan worden ingeschakeld door een 12 volt trigger signaal. De trigger ingang accepteert ieder stuursignaal (AC of DC), wat mag variëren van 3 volts tot en met 30 volts. Indien een kabel wordt aangesloten op de 12 volt ingang, zal bij aanwezigheid van een trigger signaal, de RCD-1070 worden ingeschakeld, wanneer het trigger signaal ontbreekt, zal het apparaat in de standby mode worden geschakeld. De power indicator op het voorfront blijft verlicht, maar het display wordt donker, en het apparaat werkt niet.

Let op: Indien de 12V trigger optie gebruikt wordt, moet de power knop in de AAN positie worden gezet.

De werking

De RCD-1070 kan zowel met de toetsen op het paneel als via de toetsen op de bijgeleverde afstandsbediening bediend worden. Uitgebreide instructies over beide methodes vindt u hieronder. De meeste toetsen vindt u zowel op het apparaat als op de afstandsbediening. Er zijn echter een paar uitzonderingen, deze worden ook uitgebreid hieronder beschreven.

De infrarood afstandsbediening **9**

Voordat u de afstandsbediening kan gebruiken moet u hem eerst van de nodige energie voorzien. Verwijder daarvoor het plaatje achterop de afstandsbediening en installeer vervolgens de twee bijgeleverde mini penlight-batterijen (let op de + en de -). Schuif vervolgens het plaatje weer op zijn plaats.

Om gebruik te maken van de afstandsbediening, dient u op de infraroodsensor **9** te richten, die zich in de linker onderhoek van het voorfront bevindt.

Het infoscherm **8**

Het infoscherm van de RCD-1070 zorgt voor uw nodige informatie over de werkzaamheden van het apparaat, over de opdrachten die u hem gegeven heeft en over tijd en track aanduidingen van de cd die zich op dat moment in de lade bevindt. Al deze aanduidingen worden hierna gedetailleerd voor u uit de doeken gedaan.

| | | |
|-------------------|------------------|---------------|
| PROGRAM RANDOM | REPEAT 1 ALL | INTRO 1 2 3 4 |
| ▶ | 02 | 03:56 |
| REMAIN | MIN | SEC |
| | 5 6 7 8 | 9 10 11 12 |
| | OVER 13 14 15 16 | |

De lade **7**

Met de "OPEN/CLS" (open/sluit)toets opent u de motorgestuurde lade waarin u de cd kunt plaatsen. Leg hem goed in het midden met het label naar boven. U kunt de lade op twee manieren sluiten: ten eerste met de "OPEN/CLS" toets en ten tweede door er een liefdevol zetje tegen te geven.

De bediening

Met de hierna genoemde toetsen kunt u de RCD-1070 alle basisfuncties laten verrichten. Tenzij speciaal vermeld kunt u alle opdrachten zowel op het apparaat als op de afstandsbediening geven. De nummers en letters achter de toetsvermelding verwijzen naar de nummers vermeld in de illustraties voorin in deze gebruiksaanwijzing.

De "OPEN/CLS" toets **14 A**

Zoals al bij "lade" besproken is, kunt u met deze toets(en) de cd-lade openen en sluiten. De lade sluit zichzelf ook wanneer u de afspeeltoets ("PLAY") gebruikt.

Wanneer de lade geopend is, staat er op het infoscherm "OPEN" te lezen. Is hij dicht zonder dat er zich een cd in de lade bevindt, dan ziet u "NO DISC" staan. Wanneer er zich wel een plaatje in de lade bevindt staan het totaal aantal nummers en de totale speelduur van de betreffende cd in het scherm vermeld.

De "PLAY" toets 15 M

Wanneer u bij een gevulde, geopende lade de "PLAY" (afspeel)toets(en) gebruikt sluit de lade zich en begint de RCD-1070 het plaatje vanaf het begin af te spelen. Met in het scherm vermeld "PLAY" en het spelende tracknummer, met zijn verstreken tijd.

U kunt natuurlijk ook met een ander dan het eerste nummer beginnen. U kiest dan middels de "TRACK" (spoor)toetsen of de nummerkeuzetoetsen op de afstandsbediening (zie elders) het gewenste nummer alvorens de "PLAY" toets te gebruiken.

De "STOP" toets 16 F

Wanneer u deze toets gebruikt stopt de speler met afspelen en komt in z'n "vrij" te staan. M.a.w. wanneer u nu "PLAY" indrukt begint hij weer van vooraf aan de cd af te spelen. Wanneer u tweemaal snel achtereen de "STOP" toets gebruikt wordt het eventueel geprogrammeerde geheugen gewist (zie elders).

De "PAUSE" toets 17 N

Bij het gebruik van de "PAUSE" (pauze)toets stopt de muziek, maar blijft de laser op dezelfde plaats staan. Gebruikt u de "PAUSE" of "PLAY" toets opnieuw dan herneemt de muziek zich weer. Bij gebruik van de pauzetoets staat in het beeldscherm de pauzeïndicatie (II).

De "TRACK" toetsen 18 L

Met de "TRACK" (spoor)toetsen (◀◀ ▶▶) kunt u door de CD heen "zappen", met de rechter toets gaat u bij elke aanraking naar een volgend nummer en met de linker toets naar een vorig nummer. Doet u dit laatste echter éénmaal *middenin* een nummer dan zal de speler weer gaan starten bij het begin van het nummer waarmee hij bezig was. Drukt u de linker "TRACK" toets echter tweemaal (snel) in dan zal de speler bij het daaraan voorafgaande nummer gaan starten. Het afspelende nummer verschijnt nu in het scherm.

Deze toetsen kunnen ook worden gebruikt voordat u de "PLAY" toets indrukt of bij het programmeren (zie elders).

Wanneer de "TRACK" toetsen worden gebruikt bij het afspelen van een geprogrammeerde volgorde, dan zal de RCD-1070 het vorige resp. volgende nummer van de geprogrammeerde volgorde gaan afspelen.

De directe nummerkeuzetoetsen van de afstandsbediening B

(alleen op afstandsbediening)

De elf nummerkeuzetoetsen op de afstandsbediening bieden u de mogelijkheid een bepaald nummer direct te kiezen: u wenst b.v. nummer drie te beluisteren. U drukt dan "3" in op de afstandsbediening, "et voilà".

Wenst u een nummer hoger dan 10 te horen, gebruik dan de ">10" toets om het door u gewenste nummer te bereiken. Voorbeeld: Om nummer 12 te horen toetst u ">10" in en vervolgens "1" en "2". Het gekozen nummer verschijnt nu in het infoscherm.

Voor een goede werking van uw afstandsbediening is het de bedoeling dat u hem richt op de voorkant van de RCD-1070.

Het rechthoekig vlak rechts in het infoscherm geeft een lijst met alle nummers van de cd. Heeft de betreffende cd meer dan 16 nummers dan verschijnt tevens het woordje "OVER" in het scherm. Wanneer tijdens afspelen een bepaald nummer gespeeld is verdwijnt het nummer uit de lijst. De weergave van deze lijst werkt onafhankelijk van de trackweergave elders op het scherm, deze laat wel nummers boven de 16 zien.

De directe nummerkeuzetoetsen kunnen ook gebruikt worden bij het programmeren van het geheugen.

De "SEARCH" toetsen 11 K

Met de "SEARCH" (zoek)toetsen kunt u zowel versneld voor (▶▶) als achterwaarts (◀◀) door een muzieknummer "crossen". Tijdens uw zoektochten door de muziek hoort u de muziek versneld aan u voorbij gaan.

Bijzondere eigenschappen

We gaan nu de toegevoegde waarden behandelen die de RCD-1070 extra aantrekkelijk maken in zijn functioneren. Deze zijn: het onthouden en afspelen van een door u gemaakte combinatie van tracks, het (eindeloos) herhalen van een cd of een bepaald nummer, het door elkaar afspelen van alle nummers op een cd, het automatisch afspelen van de eerste 10 seconden van elk nummer, de keuzemogelijkheid uit meerdere tijdinformaties en zelfs de mogelijkheid om "HDCD" opgenomen cd's af te kunnen spelen.

"HDCD" 3

HDCD is een speciale manier van muziekinformatie wegschrijven, waardoor de cd waarin deze techniek wordt gebruikt een groter effectief dynamisch bereik heeft, minder vervormt en een betere detaillering laat horen. Wanneer u een HDCD cd afspeelt, laat de RCD-1070 zelfs een 20-bit dynamisch bereik horen. U kunt de HDCD cd's herkennen aan het logo op het doosje.

Om HDCD cd's te kunnen weergeven hoeft u niets te doen. De RCD-1070 herkent een dergelijke cd zodra u de lade heeft gesloten, om vervolgens het benodigde circuit in te schakelen. Aan het oplichtende lampje (2) kunt u zien dat u een HDCD schijfje in de speler heeft.

De "PROGRAM" toets 4 J

Met de "PROG" (programmeer)toets kunt u de CD op een door u gewenste volgorde programmeren. Om te kunnen programmeren doet u de volgende handelingen.

1. Doe een CD in de lade en sluit deze. De speler leest nu de inhoudsopgave (TOC) van de cd.
2. Druk nu op de toets "PROG" op de speler of op de afstandsbediening, in het beeldscherm verschijnt nu het woord "PROGRAM" en "P:00". De speler wacht nu op uw commando's.

3. Kies nu op de afstandsbediening het eerste nummer dat u wenst te programmeren. Dit nummer wordt nu direct in het geheugen gezet en "P:01" verschijnt op het scherm. Herhaal deze handeling voor alle nummers die u wenst te programmeren. (U hoeft dus niet meer uw keuze te conformeren met de "PROG" toets.) Op deze wijze kunt u 20 nummers in het geheugen plaatsen.
4. U kunt ook zij het wat minder makkelijk uw gewenste nummers op de speler zelf programmeren. Kies het eerste nummer d.m.v. een van de "TRACK" toetsen. De gewenste track en het programmanummer verschijnen 3x knipperend in het scherm. Tijdens het knippen drukt u op "PROG" om uw keuze te conformeren. Wanneer u te laat bent moet u opnieuw een keuze maken. U herhaalt bovenstaande handelingen totdat u uw hele programma (tot max. 20 nummers) heeft samengesteld.

Wanneer u uw totale programma heeft samengesteld blijft de speler in "PROGRAM" staan. U kunt deze status opheffen door de lade te openen of door tweemaal op de "STOP" toets te drukken. Drukt u echter na het programmeren op de "PLAY" toets dan zal uw gemaakte selectie worden afgespeeld i.p.v. het gehele schijfje, beginnende bij het eerste door u uitgekozen nummer.

De meeste toetsen die normaal gesproken betrekking hebben op het afspelen van een gehele cd, zijn tijdens "program" alleen maar in dienst van de door u gemaakte selectie. Dus drukken op de rechter "TRACK" toets heeft tot gevolg dat u het volgende nummer van uw selectie te horen krijgt en niet het eerstvolgende nummer op de cd.

De "REVIEW" toets **5 I**

Met deze toets kunt u uw zojuist gemaakte selectie controleren. Als u op deze toets drukt verschijnt het eerste nummer van het door u gemaakte programma knipperend op het scherm. Dit knippen duurt vijf seconden. Gedurende deze tijd kunt u nogmaals de "REVIEW" toets indrukken, dan verschijnt het volgende nummer van uw selectie. Zodoende kunt u uw gehele programma checken.

Heeft u tijdens het knippen de "REVIEW" toets niet meer aangeraakt, dan stopt het controleproces en gaat de RCD-1070 verder met het werk waarmee hij bezig was. Behalve dan dat het laatst gecontroleerde nummer in het scherm geprojecteerd blijft.

Met de "CLEAR" toets kunt u nummers uit uw selectie verwijderen. Zie hieronder.

De "CLEAR" toets **H**

(alleen op de afstandsbediening)

Met deze toets kunt u nummers uit uw selectie verwijderen tijdens de "REVIEW" status. Als u met de controle van uw selectie bezig bent zoals hierboven beschreven, kunt u tijdens het knippen van een bepaald nummer i.p.v. de "REVIEW" toets de "CLEAR" (alles weg)toets indrukken. U verwijdert dan het nummer uit het programma dat op dat moment in het scherm staat. U kunt tijdens de controle deze "alles weg" toets zo vaak gebruiken als u nodig vindt.

De "RANDOM" toets **6 D**

Een extra grapje van de RCD-1070 is de "RANDOM" (hussel)functie. Met deze toets kunt u de CD op een willekeurige volgorde afspelen. Wanneer alle nummers van de cd aan de beurt zijn geweest stopt de speler met spelen, tenzij "REPEAT" in functie is (zie hieronder), dan stopt de RCD-1070 pas als u "STOP" indrukt. Wanneer "RANDOM" in bedrijf is staat er in het scherm "RANDOM" te lezen.

De "REPEAT" toets **10 C**

Met de "REPEAT" (herhaal)toets kunt u een nummer, of de gehele CD laten herhalen. Dit blijft de speler doen totdat u deze functie herroept d.m.v. de "REPEAT"- of "STOP" toets. Deze functie kan ook in combinatie met "RANDOM" gebruikt worden. U heeft met de "REPEAT" toets twee mogelijkheden: als hem eenmaal indrukt dan blijft de RCD-1070 het actuele nummer herhalen, drukt u de toets nogmaals in dan herhaalt hij de gehele cd. Een derde keer drukken heft de herhalingsstatus op.

Wilt u herhaalt verrast worden, dan kan u de "repeat" (herhaal)functie combineren met de "random" (hussel)functie.

Extra informatie: De herhaalfunctie wordt opgeheven wanneer u de lade opent.

De "SCAN" toets **12 E**

Met de "SCAN" toets kan u in vogelvlucht door een CD gaan: u hoort in volgorde de eerste 10 seconden van ieder nummer (van de gehele cd of van uw geselecteerde programma). In het scherm staat dan "INTRO" te lezen. U heft deze handige functie weer op door nogmaals op "SCAN" of op "PLAY" te drukken. De speler gaat dan door met het laatst gevonden nummer.

De "TIME" toets **13 G**

De tijd die u normaal in het infoscherm ziet is de verstreken tijd van het actuele nummer. Bij kopiëren kan het echter handig zijn om te weten wat de resterende is. Daarvoor is de "TIME" (tijd)toets. Wanneer u deze toets eenmaal indrukt verschijnt in het venster de resterende tijd van het actuele nummer. Als u hem nogmaals indrukt verschijnt de resterende tijd van de totale cd in beeld. Bij een derde keer drukken verschijnt weer de standaard tijdinformatie. Wanneer de tijdfunctie in dienst is, staat "REMAIN" in het infoscherm te lezen.

Wat te doen bij problemen?

Als er al problemen zijn, zijn deze meestal te wijten aan slechte verbindingen, slecht verbindingsmateriaal of een verkeerde stand van de knoppen/schakelaars. Controleer bij niet functioneren of alle schakelaars en knoppen in de juiste stand staan. Functioneert het één en ander niet zoals het moet, probeer dan door elimineren er achter te komen waar het probleem zit. Werkt dit ook niet volgt u dan onderstaande suggesties:

De lichtnet-indicator werkt niet

De lichtnet-indicator gaat branden zodra de RCD-1070 wordt ingeschakeld middels aan/uitschakelaar nadat u de steker in het stopcontact heeft gestoken. Doet de indicator het niet, controleer dan de lichtnet aansluiting waarop de RCD-1070 is aangesloten, met een ander elektrisch apparaat, b.v. een schemerlamp.

Het vervangen van de zekering

Ontdekt u met de schemerlampproef dat er wel degelijk spanning staat op het stopcontact en de lichtnet-indicator doet het nog steeds niet, dan kan de interne zekering van de RCD-1070 wel eens ter ziele zijn. Laat uw handelaar dit klusje voor u klaren.

Geen geluid

De indicator brandt wel, maar u hoort nog steeds niets. Controleer dan of de verbinding tussen de RCD-1070 en de (voor)versterker wel o.k. is. Controleer of de keuzeschakelaar van de (voor)versterker in de juiste stand staat en of de monitorfunctie uitstaat. Hoe is de kwaliteit van de luidsprekerkabels? Als er na al deze controles nog steeds geen geluid is, neem dan contact op met uw Rotel leverancier.

Technische Gegevens

| | |
|---|---|
| Totale harm. vervorming: | 0,0045% @ 1 kHz. |
| Intermodulatievervorming: | 0,0045% @ 1 kHz. |
| Frequentiebereik ± 0.5dB: | 20-20.000 Hz. |
| Kanaalgelijkheid: | ± 0,5 dB |
| Fase reinheid: | ± 0,5% |
| Kanaalscheiding: | > 98 dB @ 1 kHz. |
| Signaal/ruisverhouding: | > 100 dB |
| Dynamisch bereik: | > 96 dB |
| Digitaal/analoog omzetting: | equivalent van 18-bit, multilevel Delta Sigma d/a omzetting, met 8x overbe monsterend digitaal filter en HDCD |
| Gelijkloop: | Kwarts kristal gestuurde precisie |
| Uitgangsimp. (analoog): | 100 Ω |
| Uitgangsniveau (digitaal): | 0.5 Volts (p.p.) |
| Uitgangsimp. (digitaal): | 75 Ω |
| Lichtnetspanning: | 115 V 60 Hz. 220-240 V 50 Hz. |
| Vermogensopname: | 20 Watts |
| Afmetingen: | 432 x 93 x 337 mm. (bxhxd) |
| Hoogte Voorpaneel (voor rackmontage) | 80 mm |
| Netto gewicht: | 5,8 kg |

Gegevens en ontwerp zijn voorbehouden.

Rotel en het Rotel logo zijn geregistreerde handelsmerken van The Rotel Co. Ltd. Tokyo Japan.

HDCD is een geregistreerd handelsmerk van Pacific Microsonics Inc. Berkeley, CA. USA.

VIKTIGT FÖR LASERPRODUKTER**1. KLASS 1 LASERPRODUKT**

2. **FARA:** Vid synlig laserstråle. Undvik direktkontakt med strålen.

3. **WARNING!** Öppna ej höljet eller kabinettet på apparaten. Anlita alltid behörig servicetekniker för underhåll av apparaten.

WARNING!

För att undvika elektriska stötar, brand m.m.

1. Skruva ej ur skruvarna ur höljet eller kabinettet.
2. Utsätt ej apparaten för väta eller fukt.
3. Ta aldrig i strömkabeln eller kontakten med blöta eller fuktiga händer.

WARNING! Gör ej egen service på apparaten. Anlita alltid behörig servicetekniker för service.

WARNING! Utsätt aldrig apparaten för fukt, väta eller i övrigt kladdiga vätskor. Tillåt ej främmande föremål i apparaten. Om apparaten utsätts för fukt, väta eller att främmande föremål kommer in, dra omedelbart ut nätsladden ur vägguttaget. Ta apparaten till behörig servicetekniker för översyn och nödvändig reparation.

Läs alla instruktioner före du kopplar upp eller använder apparaten. Behåll denna bruksanvisning så att du alltid kan återkomma till dessa säkerhetsföreskrifter.

Beakta alla varningar och säkerhetsföreskrifter i bruksanvisningen och på själva apparaten. Följ alla användarinstruktioner.

Använd endast torrt tygstycke för rengöring av utsidan av apparaten.

Använd 10cm fritt utrymme runt om apparaten. Placera ej apparaten på en säng, soffa, filt, matta eller liknande material som kan blockera ventilationshålen. Om apparaten placeras i en bokhylla eller skåp skall det finnas utrymme för god ventilation.

Placera ej apparaten nära ett element eller liknande enheter som utvecklar värme.

Apparaten måste vara kopplad till ett vägguttag med 230V-240V, 50Hz.

Koppla apparaten till vägguttaget endast med medskickad strömkabel eller exakt motsvarande. Modifiera ej medskickad strömkabel. Ändra ej jord eller polaritet. Använd ej förlängningskabel.

Placera ej strömkabeln så att den kan bli utsatt för överkan, extrem värme eller i övrigt kan skadas. Lägg speciellt märke till var strömkabeln kopplas på baksidan av apparaten.

Strömkabeln skall vara urkopplad från vägguttaget om apparaten ej används under lång tid.

Avsluta omedelbart användandet av apparaten och låt behörig servicetekniker kontrollera den om:

- Strömkabelns kontakt eller kabel har skadats.
- Främmande föremål eller vätska kommit in i apparaten.
- Apparaten blivit utsatt för regn.
- Apparaten visar tecken på felaktig funktion.
- Apparaten har tappats eller i övrigt skadats.

Placera apparaten på en stabil yta som kan bära apparatens vikt. Placera ej apparaten på ett rörligt föremål som kan välta.

**Innehåll**

| | |
|---|-----------|
| Figure 1: Funktioner och anslutningar | 3 |
| Figure 2: RR-D94 Fjärrkontroll | 3 |
| Figure 3: Analog utgång | 4 |
| Figure 4: Digital utgång | 4 |
| Om Rotel | 41 |
| Introduktion | 41 |
| Att tänka på | 41 |
| Placering | 41 |
| Funktionsbeskrivning | 41 |
| Ström och användning | 41 |
| Strömingång 22 | 41 |
| Strömknapp 1 och strömindikator 2 | 41 |
| Utgångar | 42 |
| Analog utgång 19 | 42 |
| Digital utgång 20 | 42 |
| 12V Trigger ingång 21 | 42 |
| Komma igång | 42 |
| Fjärrkontrollen 9 | 42 |
| Displayen 8 | 42 |
| CD-slåden 7 | 42 |
| Funktionsknappar | 42 |
| OPEN/CLOSE-knappen 14 A | 42 |
| PLAY-knappen 15 M | 42 |
| STOP-knappen 16 F | 42 |
| PAUSE-knappen 17 N | 42 |
| TRACK-knapparna 18 L | 43 |
| DIRECT ACCESS-knapparna B | 43 |
| SEARCH-knapparna 11 K | 43 |
| Övriga funktioner | 43 |
| HDCD® 3 | 43 |
| PROGRAM-knappen 4 J | 43 |
| REVIEW-knappen 5 I | 44 |
| CLEAR-knappen H | 44 |
| RANDOM-knappen 6 D | 44 |
| REPEAT-knappen 10 C | 44 |
| SCAN-knappen 12 E | 44 |
| TIME-knappen 13 G | 44 |
| Felsökning | 44 |
| Strömindikatorn lyser ej | 44 |
| Byte av säkring | 44 |
| Inget ljud | 44 |
| Specifikationer | 45 |

Om Rotel

En familj vars passionerade intresse för musik grundade Rotel för över 40 år sedan. Det utmynnade till egen tillverkning av HiFi-produkter med en kvalitet utan kompromisser. Genom åren har denna passion för musik behållits och målet har alltid varit att producera prisvärda produkter för både audiofiler och musikälskare. Detta är också alla Rotelanställda delaktiga i. Rotels ingenjörer arbetar i team och har ett nära samarbete, de finslipar varje ny produkt tills den når upp till deras krav på musikaliska kvalitet. De är fria att välja komponenter från hela världen i syfte att göra produkten så bra som de kan. Kondensatorer från Storbritannien och Tyskland, halv-ledare från Japan och USA, medans strömtransformatorerna tillverkas i Rotels egna fabriker.

Rotels goda rykte för kvalitet har uppstått genom hundratals tester och erkännanden från HiFi-industrins seriösaste recensenter som lyssnar på musik varje dag. Deras erkännande håller företaget Rotel troget sitt mål att ta fram produkter som är musikaliska, pålitliga och prisvärda.

Alla vi på Rotel är glada för att du valde Rotels produkt och hoppas att den kommer att ge dig många timmar av njutning och glädje

Introduktion

Tack för att du valde Rotel RCD1070 CD-spelare. Dess precisionssläde är kombinerad med en 18-bitars Delta-Sigma D/A-omvandlare med 8x översampling och HDCD®. Dessa kvalitetskomponenter kombinerade med Rotels Balanced Design, garanterar att RCD-1070 återger musik med högsta kvalitet. Med RCD-1070 i ett kvalitetssystem kommer den att ge många års njutning.

Att tänka på

Läs denna bruksanvisning noga. Vid inkoppling och användning kommer denna bruksanvisning förse dig med värdefull information om RCD-1070 både när det gäller systemkonfiguration och allmän information. Kontakta din Rotel-återförsäljare för dina frågor. Dina frågor och kommentarer är alltid välkomna.

Spara kartong och emballage till RCD-1070 för framtida bruk. Vid frakt eller flytt av RCD-1070 i annan förpackning än originalkartongen kan ge upphov till skador som ej täcks av garantin.

Spara alltid ditt inköpskvitto. Det är ditt bästa underlag för ditt inköpstillfälle som du kan behöva vid händelse av garantiservice.

Placering

Använd sunt förnuft när du placerar RCD-1070 i ett skåp eller i en HiFi-stapel. Se till att hyllan eller kabinettet klarar vikten. Stapla ej tunga komponenter ovanpå RCD-1070. Undvik att placera RCD-1070 på komponenter som utvecklar extrem värme t.ex. ett stort slutsteg eller nära ett värmeelement. Undvik att placera RCD-1070 i närheten av produkter som skapar vibrationer t.ex. intill en högtalare.

Funktionsbeskrivning

Omslaget i denna bruksanvisning kan vikas ut med en skiss på bak- och framsida på RCD-1070 och RR-D94 fjärrkontroll. Varje punkt är markerad med en gråmarkerad bokstav eller siffra. Hänvisning på bak eller framsida på RCD-1070 markeras med en siffra t.ex. **1**. Hänvisningar på RR-D94 fjärrkontroll markeras med en bokstav t.ex. **A**.

HDCD®, High Definition Compatible Digital® och Pacific Microsonics™ är antingen registrerat varumärke eller varumärken från Pacific Microsonics, Inc. I USA och/eller i andra länder. HDCD system tillverkat under licens från Pacific Microsonics, Inc. Denna produkt gäller under ett eller flera av följande nummer. I USA: 5,479,168, 5,638,074, 5,640,161, 5,808,574, 5,838,274, 5,854,600, 5,872,531 och i Australien: 669114. Övriga patent söks.

Ström och användning

Strömingång **22**

Din RCD-1070 är fabriksinställd för rätt nätsystem. I Sverige 230/240Volt, 50Hz. Det finns en dekal på baksidan av apparaten.

OBS! Om du flyttar din CD-spelare till ett annat land, så är det möjligt att konfigurera om den till ett annat nätsystem. Gör ej detta själv. Vid intrång i apparaten kan du utsätta dig för strömförande detaljer. Kontakta behörig servicetekniker före ingreppet.

RCD-1070 skall vara kopplad direkt i vägguttaget eller i ett uttag med strömswitch (ström av/på), på en annan produkt i ditt HiFi-system. Använd ej förlängningskabel.

Var noga med att strömknappen på RCD-1070 är avstängd (i "ute" läget). Koppla sedan medföljande strömkabel till strömingången på baksidan av apparaten och till vägguttaget. Om du inte kommer att använda din CD-spelare på en månad eller längre så dra ut strömkabeln ur vägguttaget.

Det är en bra säkerhetsåtgärd att ha din CD-spelare urkopplad (även för dina övriga audio/video apparater) när du är bortrest.

Strömknapp **1** och strömindikator **2**

Strömknappen är placerad på framsidan av din CD-spelare. Tryck in strömknappen för att aktivera din CD-spelare. Lysdioden ovanför knappen tänds och den indikerar att CD-spelaren är på. För att stänga av CD-spelaren så tryck på knappen igen så att den är i "ute" läget.

OBS! Om du använder ett uttag med automatisk strömswitch (ström av/på) på en annan apparat för att aktivera din CD-spelare så skall du lämna strömknappen i intryckt läge (på). När ström kopplas på så aktiveras CD-spelaren automatiskt.

Utgångar

RCD-1070 har två olika utgångar. En analog utgång med signal från den inbyggda D/A-omvandlaren för koppling till vanliga analoga audiokomponenter och en koaxial digital utgång som ger en obehandlad digital signal för en extern D/A-omvandlare eller till en digital audioprocessor.

OBS! För att förindra kraftiga ljudspikar som kan skada dina högtalare så stäng av alla systemenheter när du kopplar in en ny signalkälla.

Analog utgång 19

[Se Figure 3 för kopplingsbeskrivning]

Ett par standard RCA utgångar ger analog utsignal från RCD-1070 till en motsvarande ingång i t.ex. ett försteg, en integrerad förstärkare eller en reciever.

Välj en audiokabel av hög kvalitet. Koppla in vänster respektive höger kanalutgång till motsvarande ingångar i ett försteg eller annan komponent.

Digital utgång 20

[Se Figure 4 för kopplingsbeskrivning]

Om du använder en extern D/A-omvandlare eller en annan digitalprocessor så behövs en obehandlad digital signal från RCD-1070. Använd en standard 75 Ohms koaxialkabel och koppla den till den externa D/A-omvandlarens digitala ingång.

12V Trigger ingång 21

RCD-1070 kan aktiveras med en 12V Triggersignal (aktiveringssignal). Triggerringången accepterar alla typer av signaler (växelström eller likström) mellan 3-30V. När en kabel är kopplad till 12V ingången och en aktiveringssignal skickas så aktiveras RCD-1070. När aktiveringssignalen stängs av så sätts CD-spelaren i standby-läge. Framsidans indikatorlampor är fortfarande tända, men displayen släcks och CD-spelaren är ej aktiv längre.

Notera att: Vid användning av 12V triggersignal ska POWER-knappen vara i ON-läge (på).

Komma igång

Funktionerna på RCD-1070 kan styras via framsidans knappar eller med motsvarande knappar på fjärrkontrollen. Grundläggande beskrivning på varje funktion förklaras längre ner i denna bruksanvisning. Knapparna på framsidan och på fjärrkontrollen är dubbletter av varandra förutom ett par undantag som finns på den ena eller den andra. Dessa undantag finns noterade i beskrivningen.

Fjärrkontrollen 9

Innan användning av fjärrkontrollen måste man installera två "UM-4/AAA" batterier (medskickade). Öppna batterilocket på baksidan av fjärrkontrollen, stoppa in batterierna (observera + och - polariteten) och sätt på locket igen. För att använda fjärrkontrollen så rikta den mot "mottagarögat" för fjärrsignalen 9 som finns i nedre vänsterkant på framsidan av RCD-1070.

Displayen 8

En belyst display (teckenruta) på RCD-1070s framsida ger information om statusen på CD-spelaren, aktiveringen av specialfunktionerna och spår/tidupplysning om CD-skivan som spelas. Alla dessa indikatorer finns beskrivna nedan.



CD-släden 7

Den motordrivna CD-släden som är placerad i mitten på RCD-1070s framsida förs ut med OPN/CLS-knappen för att ta emot en CD-skiva och förs in för att spela den. Placera CD-skivan med den blanka sidan ner (etikettsidan upp). Se till att skivan placerats i mitten av CD-släden. CD-släden kan stängas på två sätt: tryck på OPN/CLS-knappen eller tryck på PLAY-knappen.

Funktionsknappar

Följande knappar styr basfunktionerna för CD-mekanismen. Alla funktionerna finns både på RCD-1070s framsida och på fjärrkontrollen förutom de undantag som kommer att beskrivas.

OPEN/CLOSE-knappen 14 A

När CD-släden är stängd så tryck på denna knapp för att få ut den. För att stänga den så tryck på knappen igen. CD-släden kan också stängas med PLAY-knappen.

När CD-släden är ute så visar displayen "OPEN". När CD-släden är stängd och ingen skiva ligger i så visar displayen "NO DISC". När det finns en skiva i så visar displayen antalet låtar och den totala speltiden på skivan i minuter och sekunder.

PLAY-knappen 15 M

Tryck på PLAY-knappen för att spela skivan. Om CD-släden är öppen kommer den att stängas. Antalet låtar som spelats och den spelade tiden visas i displayen tillsammans med texten PLAY. Normalt startar en spelning med första låten men du kan välja vilken låt den skall börja spela med TRACK-knapparna eller DIRECT ACCESS-knapparna (se nedan) före du trycker på PLAY-knappen.

STOP-knappen 16 F

Denna knapp stoppar en spelning och nollställer CD-spelaren och trycker du på PLAY-knappen igen startar CD-spelaren från första låten. Vid tryckning på STOP-knappen två gånger i snabb följd avbryts alla programval (se nedan).

PAUSE-knappen 17 N

Denna knapp används för att tillfälligt pausa en spelning. CD-skivan fortsätter att snurra och fortsatt spelning börjar på samma ställe. I displayen visas texten "PAUSE". För att fortsätta en spelning så tryck på PAUSE-knappen igen eller på PLAY-knappen.

TRACK-knapparna 18 L

Dessa knappar används för att välja låt på skivan. När en skiva spelas och man trycker på den högra TRACK-knappen så matar man fram till nästa låt. Trycker man på den vänstra TRACK-knappen så hoppar man till början av den låt man spelar. Vid två tryckningar i snabb följd så hoppar man tillbaka till början av tidigare låtar. Den nya låtens nummer visas i displayen.

Dessa knapparna används också för att välja låt innan man tryckt på PLAY-knappen eller för att välja låtar för spelning i PROGRAMMERINGS-läget (se nedan). Dessa val görs genom att upprepa tryckningarna på TRACK-knapparna tills önskad låt är valt.

I PROGRAMMERINGS-läget så matas TRACK-knapparna framåt eller bakåt till nästa låt i urvalet av minneslistan.

DIRECT ACCESS-knapparna B

(endast via fjärrkontrollen)

Dessa elva numeriska knappar (1-10 och >10) används för direkt åtkomst till en låt från fjärrkontrollen istället för upprepande tryckningar på TRACK-knapparna.

De första tio låtarna kan väljas genom att trycka på motsvarande knappnummer. För att spela t.ex. tredje låten så tryck på 3-knappen på fjärrkontrollen.

För att komma åt låtnummer högre än 10, tryck på >10-knappen följt av låtnumret. T.ex. för att välja låt nummer 12, tryck på >10-knappen följt av 1-knappen och 2-knappen. Låtnumret som är valt visas i mitten av displayen.

Det finns också en kvadratisk matrisyta i den högra delen av displayen med låtnummer (1-16). Denna del visar alla låtnummer som finns på skivan. Om det finns mer än 16 låtar på skivan så lyser alla siffrorna och texten OVER visas i displayen oavsett vilken låt som spelas. Denna kvadratiske yta är oberoende av numret som visas i mitten av displayen som alltid visar det låtnummer som spelas för tillfället även om det är över 16.

DIRECT ACCESS-knapparna används också för att memorera låtar i PROGRAMMERINGS-läget (se nedan).

SEARCH-knapparna 11 K

Dessa knappar, sök-knappar, söker snabbt framåt eller snabbt bakåt på skivan som spelas så länge knappen är nedtryckt. Så länge knappen är nedtryckt hörs låtarna snabbspelandes. Släpp knappen för att återgå till PLAY-läget.

Övriga funktioner

Dessa funktioner ökar RCD-1070s funktionalitet inklusive möjligheten att spela HDCD-skivor, memorera en grupp av låtar för uppspelning, repetera en skiva, program eller låt om och om igen. Dessutom kan man spela låtar slumpmässigt, spela de 10 första sekunderna på varje låt och välja bland flera olika tidvisningar.

HDCD® 3

HDCD® är en kodningsteknik som möjliggör att en CD-skiva innehåller mer dynamik, minskad distortion och ökad detaljrikedom. Vid spelning av HDCD-skivor så kan RCD-1070 återge upp till 18-bitars dynamikomfång. HDCD-skivor har en HDCD-logotype på förpackningen eller på skivan.

Det krävs inget extra av användaren för att spela HDCD-skivor. CD-spelare känner automatiskt av när en HDCD-kodad skiva spelas och aktiverar kretsen för avkodning. Lysdioden som indikerar när en HDCD-skiva spelas tänds automatiskt när en HDCD-kodad skiva spelas.

OBS! Det finns CD-skivor som innehåller låtar med både HDCD-kodning och låtar utan kodning. Då tänds och släcks lysdioden beroende på om låten är HDCD-kodad eller ej.

PROGRAM-knappen 4 J

Denna knapp, PROG, ger dig möjlighet att memorera upp till 20 låtar från samma skiva för spelning i önskad ordning. Du kan t.ex. låta RCD-1070 spela låt 5 följt av låt 3 och låt 8. För att börja programmera:

1. Stoppa in en skiva och tryck på OPEN/CLOSE-knappen för att stänga CD-slåden. RCD-1070 läser innehållet på skivan.
2. Tryck på PROGRAM-knappen på framsidan eller på fjärrkontrollen. Texten PROGRAM visas i displayen tillsammans med "P:00" som indikerar att RCD-1070 väntar på att den första låten skall memoreras.
3. För att programmera låtar med fjärrkontrollen så ge första låtens nummer med hjälp av DIRECT ACCESS-knapparna. Ditt val memoreras automatiskt och texten i displayen ändras till "P:01" som visar att låtens nummer har sparats i minnet. Fortsätt att mata in resten dina val med DIRECT ACCESS-knapparna. Notera att du inte behöver trycka på PROGRAM-knappen då varje val av låt sparas direkt när det är inmatat.
4. För att programmera med hjälp av knapparna på CD-spelarens framsida används TRACK-knapparna för att göra ditt första val av låt. Låtens nummer och programnumret blinkar i displayen i 3 sekunder. Medans displayen blinkar tryck på PROGRAM-knappen för att memorera ditt val. Notera att om det slutat blinka så kan du inte längre memorera dina val av låtar. För att programmera fler låtar så välj dem med TRACK-knapparna och tryck på PROGRAM-knappen efter varje val.

När du har memorerat en grupp med låtar så är RCD-1070 i PROGRAM-läge tills du öppnar CD-slåden eller trycker på STOP-knappen två gånger i tät följd. Om du trycker på PLAY-knappen så kommer det sparade programmet att spelas med start på den första låten i programmet istället för hela skivan. När ett program är sparad så har funktioner som normalt fungerar på hela CD-skivan nu anpassats till det sparade programmet. T.ex. TRACK-knapparna matar fram till nästa låt i det sparade programmet istället för nästa låt på skivan. Likaså REPEAT-knappen (se nedan) repeterar spelning av låtarna i programmet istället för hela skivan.

REVIEW-knappen **5 I**

Denna knapp används för att visa vilka val av låtar som finns sparade i ett program. Tryck på knappen för att visa första låtens nummer i programmet. Det blinkar i ca. 5 sekunder. Tryck på REVIEW-knappen igen när displayen blinkar så visas nästa låtnummer i programmet. Fortsätt att trycka på knappen för att visa hela listan av nummer i programmet.

Om du inte trycker på REVIEW-knappen under tiden då displayen blinkar så återgår apparaten till det läge som den hade innan du tryckte på REVIEW-knappen, förutom att den sista visade låtens nummer ligger kvar i displayen.

Notera att du kan ta bort ett visat låtnummer i programmet med CLEAR-knappen som beskrivs nedan.

CLEAR-knappen **H**

(endast via fjärrkontrollen)

Denna knapp gör att du kan ta bort en inprogrammerad låt i ett program när du använder REVIEW-funktionen som är beskriven enligt ovan. Följ REVIEW-proceduren tills önskat låtnummer blinkar. Istället för att trycka på REVIEW-knappen igen tryck på CLEAR-knappen medans siffran blinkar för att ta bort den. Du kan nu fortsätta med REVIEW-funktionen.

RANDOM-knappen **6 D**

Denna knapp styr CD-spelaren att spela låtarna från hela CD-skivan i slumpmässig ordning. Då alla låtarna har spelats en gång stoppar spelningen, såvida inte REPEAT-knappen (se nedan) har aktiverats, då fortsätter isåfall den slumpmässiga spelningen tills STOP-knappen trycks in. När RANDOM-knappen är aktiverad så visas texten RANDOM i displayen.

REPEAT-knappen **10 C**

Denna knapp benämnd REPT, gör att du kan upprepa kontinuerlig spelning av en enskild låt eller en hel skiva tills REPEAT-funktionen avaktiveras eller ett tryck på STOP-knappen. REPEAT-knappen används stegvis genom de inställningar man kan aktivera. Tryck på knappen en gång och RCD-1070 repeterar den låt som för tillfället spelas och texten REPEAT 1 visas i displayen. Tryck på knappen en andra gång och RCD-1070 repeterar spelning av hela skivan och texten REPEAT ALL visas i displayen. Tryck på knappen en tredje gång för att avbryta REPEAT-funktionen.

Som beskrivits ovan kan REPEAT-knappen användas tillsammans med RANDOM-funktionen.

OB! REPEAT-funktionen avbryts när CD-slåden öppnas.

SCAN-knappen **12 E**

Denna funktion spelar de första 10 sekunderna av varje låt på hela skivan (eller i det memorerade programmet). För att aktivera funktionen tryck på SCAN-knappen. Texten INTRO visas i displayen. För att avbryta SCAN-funktionen och återgå till normalläget på aktuell låt tryck på SCAN-knappen igen eller på PLAY-knappen.

TIME-knappen **13 G**

Normalt visar RCD-1070 den spelade tiden på gällande låt. TIME-funktionen ger dig möjlighet att välja mellan två olika alternativ av tidvisning. Vid ett tryck på TIME-knappen visas den kvarvarande speltiden på den låt som spelas och tiden räknas ner så länge som låten spelas. Vid tryckning på knappen en andra gång visas tiden som är kvar på hela skivan (eller på det memorerade programmet). Vid tryck på TIME-knappen en tredje gång återgår den till standardvisning av spelad tid i displayen. När TIME-funktionen är aktiverad visas texten REMAIN i displayen.

Felsökning

De flesta problem som uppstår i ett ljudsystem är på grund av felaktig inkoppling eller felaktig inställning. Om problem uppstår, försök att lokalisera platsen för problemet, kontrollera inställningar, bestäm orsaken till felet och gör nödvändiga förändringar. Om du inte får något ljud från RCD-1070 så läs följande förslag.

Strömindikatorn lyser ej

Strömindikatorn och bas funktionerna i displayfönstret skall lysa när RCD-1070 är kopplad till ett strömförande vägguttag och strömknappen är intryckt. Om de inte lyser kontrollera vägguttaget med en annan elektrisk produkt t.ex. en lampa. Var säker på att det uttag som används ej är styrt av en switch som inte är aktiverad.

Byte av säkring

Om en annan elektrisk produkt fungerar i det aktuella strömuttaget, men strömindikatorn och displayen fortfarande är släckta när RCD-1070 är inkopplad indikerar detta att den interna säkringen är bränd. Om du tror att detta är fallet kontakta en auktoriserad Rotel återförsäljare för att få säkringen utbytt.

Inget ljud

Kolla kablarna mellan RCD-1070 och förstärkarens ingångar och försäkra dig om att de är korrekt kopplade. Kontrollera så att rätt ingång i förstärkaren är vald på förstärkarens ingångsväljare. Kolla så att Tape-Monitor funktionen på förstärkaren inte är aktiverad. Kolla kablarna mellan förstärkaren och högtalarna.

Specifikationer

| | |
|--|---|
| Total Harmonisk Distortion + Brus | 0,0045% vid 1kHz |
| Intermodulations Distortion | 0.0045% vid 1kHz |
| Frekvensåtergivning (± 0.5 dB) | 20-20,000Hz |
| Kanal Balans | ± 0.5 dB |
| Faslinjäritet | +/- 0.5° |
| Kanalseparation | > 98dB vid 1kHz |
| Signal/Brus förhållande | > 100dB |
| Dynamikomfång | > 96dB |
| Digital till Analog omvandling | upp till 18 bits , multi-nivå Delta-Sigma DAC med 8x översampling, digitalt filter och HDCD |
| Hastigetsprecision, Svaj och vibrationer | Kvarts precision |
| Utgångsimpedans | 100 Ohm |
| Digital utsignal | 0.5V i topparna |
| Belastningsimpedans | 75 Ohm |
| Strömförsörjning | Växelström 230V, 50Hz |
| Strömförbrukning | 20 Watt |
| Dimensioner (B, H, D) | 432 x 93 x 337 mm |
| Frontpanelens höjd (för rackmontering) | 80 mm |
| Vikt (netto) | 5.8 kg |

Alla specificationer är korrekta vid tidpunkten för tryckning av denna bruksanvisning. Rotel reserverar sig rättigheten att ändra utan förvarning.

Rotel och Rotel HiFi logo är registrerade varumärken av Rotel Co, Ltd., Tokyo, Japan.

HDCD® High Definition Compatible Digital® och Pacific Microsonics™ är antingen registrerade varumärken eller varumärken av Pacific Microsonics, Inc, i USA och/eller i andra länder.

Free Manuals Download Website

<http://myh66.com>

<http://usermanuals.us>

<http://www.somanuals.com>

<http://www.4manuals.cc>

<http://www.manual-lib.com>

<http://www.404manual.com>

<http://www.luxmanual.com>

<http://aubethermostatmanual.com>

Golf course search by state

<http://golfingnear.com>

Email search by domain

<http://emailbydomain.com>

Auto manuals search

<http://auto.somanuals.com>

TV manuals search

<http://tv.somanuals.com>