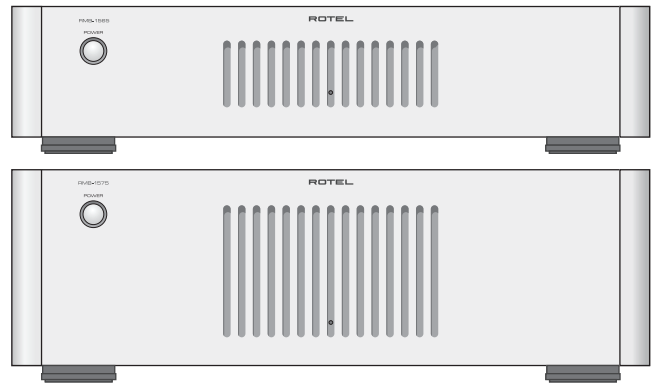




# ROTEL®



## RMB-1565 / RMB-1575

Five Channel Power Amplifiers

Fünfkanal-Endstufen

5-kanalen eindversterker

5-канальный усилитель мощности

**Owner's Manual**  
**Bedienungsanleitung**  
**Gebruiksaanwijzing**  
**Инструкция пользователя**

*Register your product at*  
[www.Rotel.com/register](http://www.Rotel.com/register)

## Important Safety Instructions

**WARNING:** There are no user serviceable parts inside. Refer all servicing to qualified service personnel.

**WARNING:** To reduce the risk of fire or electric shock, do not expose the unit to moisture or water. Do not expose the unit to dripping or splashing. Do not place objects filled with liquids, such as vases, on the unit. Do not allow foreign objects to get into the enclosure. If the unit is exposed to moisture, or a foreign object gets into the enclosure, immediately disconnect the power cord from the wall. Take the unit to a qualified service person for inspection and necessary repairs.

Read all the instructions before connecting or operating the component.

Keep this manual so you can refer to these safety instructions.

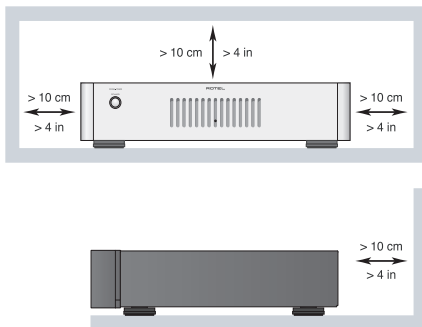
Heed all warnings and safety information in these instructions and on the product itself. Follow all operating instructions.

Clean the enclosure only with a dry cloth or a vacuum cleaner.

Do not use this unit near water.

**You must allow a minimum 10 cm or 4 inches of unobstructed clearance around the unit.**

Do not place the unit on a bed, sofa, rug, or similar surface that could block the ventilation openings. If the unit is placed in a bookcase or cabinet, there must be ventilation of the cabinet to allow proper cooling.



Keep the component away from radiators, heat registers, stoves, or any other appliance that produces heat.

**WARNING:** The rear panel power cord connector is the mains power disconnect device. The apparatus must be located in an open area that allows access to the cord connector.

The unit must be connected to a power supply only of the type and voltage specified on the rear panel. (USA: 120 V/60Hz, EC: 230V/50Hz)

Connect the component to the power outlet only with the supplied power supply cable or an exact equivalent. Do not modify the supplied cable. A polarized plug has two blades, with one wider than the other. A grounding plug has two blades plus a third grounding prong. These are provided for your safety. Do not defeat grounding and/or polarization safety provisions. If the supplied plug does not fit your outlet, please consult an electrician for replacement of the obsolete outlet. Do not use extension cords.

The main plug of the power cord set is a disconnect device of the apparatus. In order to completely disconnect the apparatus from the supply mains, the main plug of the power cord set should be unplugged from the mains (AC) outlet. The standby LED indicator will not be lit up to show the power cord is unplugged. The disconnect device shall remain readily accessible.

Do not route the power cord where it will be crushed, pinched, bent, exposed to heat, or damaged in any way. Pay particular attention to the power cord at the plug and where the cord exits the back of the unit.

The power cord should be unplugged from the wall outlet during a lightning storm or if the unit is to be left unused for a long period of time.

Use only accessories specified by the manufacturer.

Use only with a cart, stand, rack, bracket or shelf system recommended by Rotel. Use caution when moving the unit in a stand or rack to avoid injury from a tip-over.



Use Class 2 Wiring when connecting the speaker terminals of the unit to ensure proper insulation and minimise the risk of electrical shock.

Immediately stop using the component and have it inspected and/or serviced by a qualified service agency if:

- The power supply cord or plug has been damaged
- Objects have fallen or liquid has been spilled into the unit
- The unit has been exposed to rain
- The unit shows signs of improper operation
- The unit has been dropped or damaged in any way



**APPLICABLE FOR USA, CANADA OR WHERE APPROVED FOR THE USAGE**

**CAUTION:** TO PREVENT ELECTRIC SHOCK, MATCH WIDE BLADE OF PLUG TO WIDE SLOT. INSERT FULLY.

**ATTENTION:** POUR EVITER LES CHOCS ELECTRIQUES, INTRODUIRE LA LAME LA PLUS LARGE DE LA FICHE DANS LA BORNE CORRESPONDANTE DE LA PRISE ET POUSSER JUSQU'AU FOND.



This symbol is to alert the user to the presence of uninsulated dangerous voltages inside the product's enclosure that may constitute a risk of electric shock.



This symbol is to alert the user to important operating and maintenance (service) instructions in this manual and literature accompanying the product.



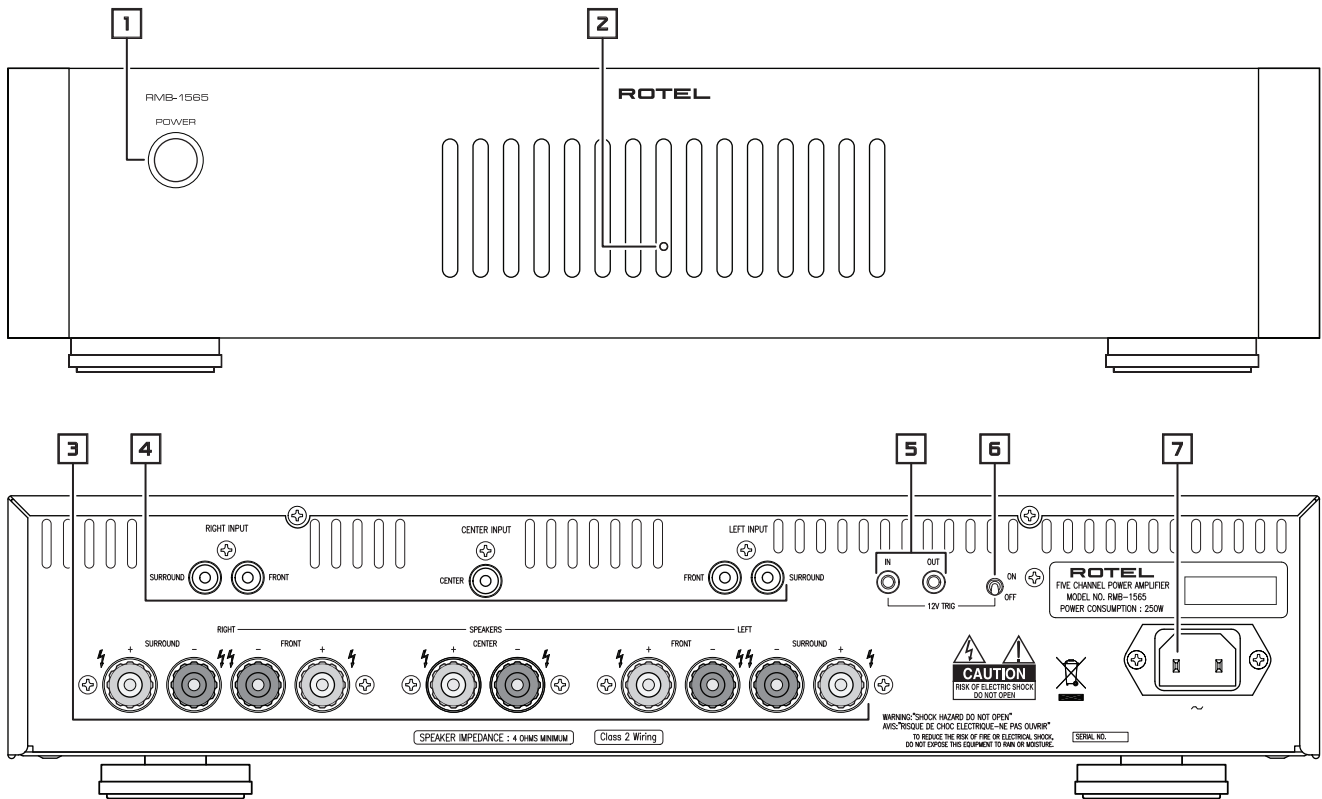
Rotel products are designed to comply with international directives on the Restriction of Hazardous Substances (RoHS) in electrical and electronic equipment and the disposal of Waste Electrical and Electronic Equipment (WEEE). The crossed wheeled bin symbol indicates compliance and that the products must be appropriately recycled or processed in accordance with these directives.



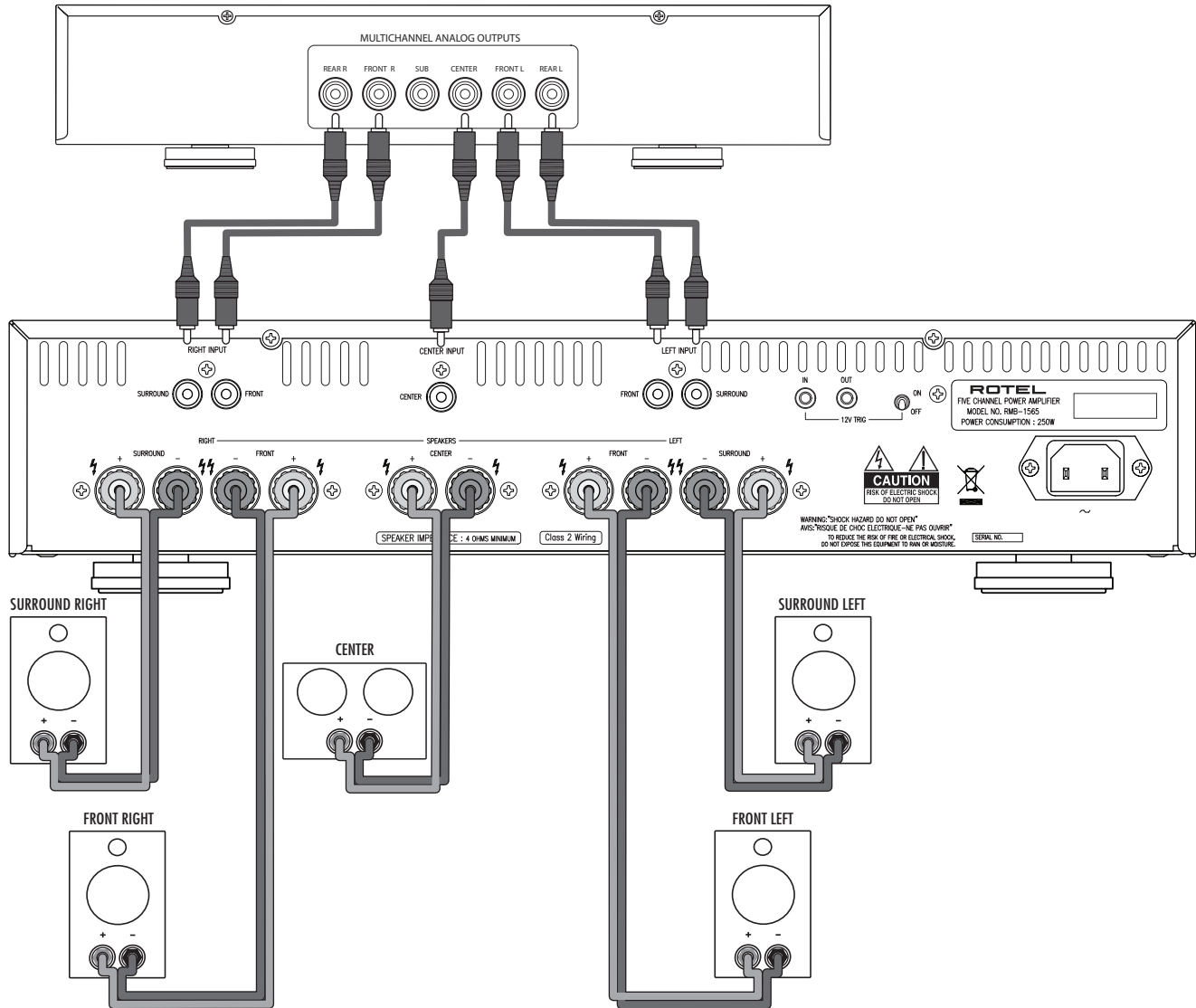
This symbol means that this unit is double insulated. An earth connection is not required.



Figure 1: Controls and Connections  
 Bedienelemente und Anschlüsse  
 De bedieningsorganen en de aansluitingen  
 Органы управления и разъемы



**Figure 2: Preamp Input and Speaker Output Connections**  
**Anschlussdiagramm**  
**De in- en uitgangsverbindingen**  
**Входы для предусилителя и выходы на колонки**



## Important Notes

### When making connections be sure to:

- ✓ Turn off **all** the components in the system **before** hooking up **any** components, including loudspeakers.
- ✓ Turn off **all** components in the system **before** changing **any** of the connections to the system.

### It is also recommended that you:

- ✓ Turn the volume control of the amplifier all the way down **before** the amplifier is turned **on or off**.

## Wichtige Hinweise

### Achten Sie beim Herstellen der Verbindungen auf Folgendes:

- ✓ Schalten Sie **alle** Komponenten im System ab, **bevor** Sie Geräte (einschließlich Lautsprecher) anschließen.
- ✓ Schalten Sie **alle** Komponenten im System ab, **bevor** Sie Anschlüsse im System verändern.

### Ferner empfehlen wir, dass

- ✓ Sie die Lautstärke herunterdrehen, **bevor** Sie die Endstufe **ein-** oder **abschalten**.

## Héél belangrijk:

- ✓ Zorg dat niet alleen de RMB-1565/1575, maar de **gehele** installatie uitstaat, als nog niet **alle** verbindingen gemaakt zijn.
- ✓ Zorg dat niet alleen de RMB-1565/1575, maar de **gehele** installatie ook uitstaat, **als** u verbindingen gaat **wijzigen**.

### Wij raden u ook aan om

- ✓ de volumeregelaar van de voorversterker geheel dicht te draaien (volkomen naar links) **wanneer** u uw eindversterker **aan- of uitzet**.

## Перед подсоединением:

- ✓ Выключите **все** компоненты, включая колонки.
- ✓ Выключите **все** компоненты в вашей системе, прежде чем что-то в ней **менять**.

### Рекомендуется также:

- ✓ Вывести громкость усилителя на **минимум**, перед тем как **включать или выключать** его.

## Contents

<b>Important Safety Instructions</b> .....	<b>2</b>
Figure 1: Controls and Connections	3
Figure 2: Preamp Input and Speaker Output Connections	4
Important Notes	5
<b>About Rotel</b> .....	<b>6</b>
<b>A Word About Watts</b> .....	<b>6</b>
<b>Getting Started</b> .....	<b>7</b>
Operating Features	7
A Few Precautions	7
Placement	7
<b>AC Power and Control</b> .....	<b>7</b>
AC Power Input <span style="border: 1px solid black; padding: 0 2px;">7</span>	7
Power Switch and Indicator <span style="border: 1px solid black; padding: 0 2px;">1</span>	7
Turn On/Off Mode Selector <span style="border: 1px solid black; padding: 0 2px;">6</span>	7
+12V Trigger Input and Output <span style="border: 1px solid black; padding: 0 2px;">5</span>	8
Protection Indicator <span style="border: 1px solid black; padding: 0 2px;">2</span>	8
<b>Input Signal Connections</b> <span style="border: 1px solid black; padding: 0 2px;">4</span> .....	<b>8</b>
<b>Speakers</b> .....	<b>8</b>
Speaker Selection	8
Speaker Wire Selection	8
Polarity and Phasing	8
Speaker Connections <span style="border: 1px solid black; padding: 0 2px;">3</span>	8
<b>Troubleshooting</b> .....	<b>9</b>
Front Panel Power Indicator Is Not Lit	9
No Sound	9
Protection Indicator Is Lit	9
<b>Specifications</b> .....	<b>9</b>

## About Rotel

Our story began nearly 50 years ago. Over the decades, we have received hundreds of awards for our products and satisfied hundreds of thousands of people who take their entertainment seriously - like you!

Rotel was founded by a family whose passionate interest in music led them to manufacture high-fidelity components of uncompromising quality. Through the years, that passion has remained undiminished and the family goal of providing exceptional value for audiophiles and music lovers, regardless of their budget, is shared by all Rotel employees.

Rotel's engineers work as a close team, listening to, and fine tuning, each new product until it reaches their exacting musical standards. They are free to choose components from around the world in order to make that product the best they can. You are likely to find capacitors from the United Kingdom and Germany, semiconductors from Japan or the United States, while toroidal power transformers are manufactured in Rotel's own factory.

We all have concerns about our environment. And, as more and more electronics are produced and later discarded, it is especially important for a manufacturer to do all it can to engineer products that have a minimum negative impact on landfill sites and water tables.

At Rotel, we are proud to do our part. We have reduced the lead content in our electronics by using special ROHS solder, while our new Class D (not digital) amplifiers are up to five times more efficient than our legacy designs and still deliver power and performance. These products run cool, give minimum wasted energy, are good for the environment and give better sound too.

Finally, we have printed this brochure on recycled paper stock.

While we understand that these are small first steps, they are still important ones. And we continue to pursue new methods and materials for a cleaner and greener manufacturing process.

All of us at Rotel thank you for buying this product. We are sure it will bring you many years of enjoyment.

## A Word About Watts

This RMB-1565 power output is quoted as 100 watts for each channel, when all five channels are operating together at full power. The RMB-1575 produces 250 watts per channel, also with all five channels operating at full power.

Rotel has chosen to specify the power output in this way because, in Rotel's experience, it gives the truest value of the receiver or amplifier's power capability.

When comparing specifications for different products, you should be aware that power output is often specified in other ways, so you may not be comparing like with like.

For example, the power output may be quoted with only one channel operating, giving a higher maximum figure. The highly regulated power supplies of the Rotel Class D amplifiers ensures that they will produce the full specified power output to one or all channels.

A loudspeaker's impedance rating indicates the electrical resistance or load it offers when connected to the amplifier, usually 8 ohms or 4 ohms. The lower the impedance, the more power the speaker will need. In effect, a 4 ohm speaker will require twice as much power as an 8 ohm speaker.

So ideally, the amplifier should be give double the power into a 4 ohm load - a rating of 100 watts into an 8 ohm load should become 200 watts into 4 ohms. Using lower impedance speakers makes greater demands on the amplifier's power supply, because it will be drawing more current and giving off more heat.

However, Rotel amplifiers are designed to work into any speaker impedance between 8 and 4 ohms, and with all the channels working up to their full power. Because the Rotel design is optimized for use with all channels operating together, Rotel is able to specify the true power output for all channels.

This can be important for your enjoyment, too. When watching movies, it's nice to have the amplifier able to reproduce full power into all the channels at the same time, especially in the case of a volcano exploding!

## Getting Started

Thank you for purchasing the Rotel RMB-1565 or RMB-1575 Five-Channel Power Amplifier. When used in a high-quality music or home theater system, your Rotel amplifier will provide years of musical enjoyment.

The RMB-1565 and RMB-1575 are sophisticated five-channel power amplifiers. Their Class D amplifier circuitry, switching power supply, premium components, and Rotel's Balanced Design ensure superb sound quality. High current allows the RMB-1565 and RMB-1575 to drive difficult speaker loads with ease.

### Operating Features

- Five amplifier channels
- User selectable power on/off configuration: manual, or controlled by remote 12 volt trigger signal
- Protection circuitry with front panel indicator

### A Few Precautions

Please read this manual carefully. In addition to installation and operating instructions, it provides information on various system configurations. Please contact your authorized Rotel dealer for answers to any questions you might have. In addition, all of us at Rotel welcome your questions and comments.

Save the amplifier shipping carton and packing material for future use. Shipping or moving the amplifier in anything other than the original packing material may result in severe damage to your amplifier.

Be sure to keep the original sales receipt. It is your best record of the date of purchase, which you will need in the event warranty service is ever required.

### Placement

The RMB-1565 and RMB-1575 generate heat as part of their normal operation. The heat sinks and ventilation openings in the amplifier are designed to dissipate this heat. The ventilation slots in the top cover must be unobstructed. There should be 10 cm (4 inches) of clearance around the chassis, and reasonable airflow through the installation location, to prevent the amplifier from overheating. Likewise, remember the weight of the amplifier when you select an installation location. Make sure that the shelf or cabinet can support its weight.

## AC Power and Control

### AC Power Input

The amplifier is supplied with the proper AC power cord. Use only this cord or an exact equivalent. Do not use an extension cord. A heavy duty multi-tap power outlet strip may be used, but only if it is rated to handle the current demand of the amplifier.

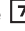
The RMB-1565 will automatically configure itself for the proper AC line voltage rating, from 110 volts to 240 volts, at 50/60Hz. No setting is required to match the unit to your local voltage.

The RMB-1575 is configured at the factory for the proper AC line voltage in the country where you purchased it (USA: 120 volts/60 Hz, Europe: 230 volts/50 Hz). The AC line configuration is noted on a label on the back panel.

---

**Note:** *Should you move your RMB-1575 to another country, it is possible to configure your amplifier for use on a different line voltage. Do not attempt to perform this conversion yourself. Opening the enclosure of the RMB-1575 exposes you to dangerous voltages. Consult a qualified technician or the Rotel factory service department for information.*

---

Plug the supplied cord into the AC INPUT receptacle  on the back panel of the unit. After all connections have been made, plug the other end into an appropriate AC wall outlet.

---

**Note:** *If you are going to be away from home for an extended period of time, it is a sensible precaution to unplug your amplifier.*

---

### Power Switch and Indicator

The Power Switch is located on the front panel. To turn the amplifier on (or to activate either of the optional automatic power-on modes), push the switch in. The ring around the switch will light, indicating that the amplifier is turned on. To turn the amplifier off, push the button again and return it to the out position.

### Turn On/Off Mode Selector

The amplifier can be turned on and off manually, or automatically by using its "12V Trigger" system. The Turn On/Turn Off Mode selector switch selects which method is used.

- With the switch in the OFF position, the amplifier is turned on or off manually using the front panel power switch. Use this mode if you are using a switched AC outlet to control power to the amplifier.
- With the switch in the 12V TRIG position, the amplifier is turned on automatically when a 12 volt trigger signal is applied to the 3.5mm jack labeled IN. The front panel POWER SWITCH overrides this function. It must be ON for the +12V trigger to work. Turning the switch OFF cuts power to the amplifier, regardless of whether or not a trigger signal is present.

### +12V Trigger Input and Output

The jack labeled IN is for connecting the 3.5mm Plug/Cable carrying a +12 volt trigger signal to turn the amplifier on and off. To use this feature the adjacent switch must be placed to the 12V TRIG position (see previous section). This input accepts any control signal (AC or DC) ranging from 3 volts to 30 volts.

The jack labeled OUT is for connecting another 3.5mm plug/cable to provide a 12V trigger signal to other components. The 12V output signal is available whenever a +12 volt trigger signal is applied to the IN connector.

### Protection Indicator

Thermal and protection circuits protect the amplifier against potential damage in the event of extreme or faulty operating conditions. Unlike many designs, the protection circuit in the RMB-1565 and RMB-1575 is independent of the audio signal and has no impact on sonic performance. Instead, the protection circuit monitors the temperature of the output devices and shuts down the amplifier if safe limits are exceeded.

In addition, the amplifier includes over-current protection which operates only when load impedances drop too low. This protection is independent for each of the five channels .

Should a faulty condition arise, the amplifier channel at fault will stop playing and the PROTECTION LED on the front panel will light.

If this happens, turn the amplifier off, let it cool down for several minutes, and attempt to identify and correct the problem. When you turn the amplifier back on, the protection circuit will automatically reset and the PROTECTION LED should go out.

In most cases, the protection circuitry activates because of a fault condition such as shorted speaker wires, or inadequate ventilation leading to an overheating condition. In very rare cases, highly reactive or extremely low impedance speaker loads could cause the protection circuit to engage.

## Input Signal Connections

See *Figure 2*

The RMB-1565 and RMB-1575 have standard unbalanced RCA-type input connectors, the type used on nearly all audio equipment. There is an RCA input for each of the five amplifier channels. These RCA inputs accept audio signals from preamplifiers or surround sound processors. Use high quality audio interconnect cables for best performance.

## Speakers

The RMB-1565 and RMB-1575 have five sets of speaker connectors, one for each amplifier channel.

### Speaker Selection

The nominal impedance of the loudspeaker(s) connected to each channel of the amplifier in the various operating modes should be no lower than 4 ohms.

### Speaker Wire Selection

Use insulated two-conductor stranded wire to connect the amplifier to the speakers. The size and quality of the wire can have an audible effect on the performance of the system. Standard speaker wire will work, but can result in lower output or diminished bass response, particularly over longer distances. In general, heavier wire will improve the sound. For best performance, you may want to consider special high-quality speaker cables. Your authorized Rotel dealer can help in the selection of appropriate cables for your system.

### Polarity and Phasing

The polarity – the positive/negative orientation of the connections – for every speaker and amplifier connection must be consistent so all the speakers will be in phase. If the polarity of one connection is mistakenly reversed, bass output will be very weak and stereo imaging degraded. All wire is marked so you can identify the two conductors. There may be ribs or a stripe on the insulation of one conductor. The wire may have clear insulation with different color conductors (copper and silver). There may be polarity indications printed on the insulation. Identify the positive and negative conductors and be consistent with every speaker and amplifier connection.

### Speaker Connections

See *Figure 2*

---

**Note:** The following text describes both binding post and plug-in connections. DO NOT use both connection methods in combination to connect multiple speakers.

---

The RMB-1565 and RMB-1575 have two color coded terminals for each amplifier channel. These speaker connectors accept bare wire, connector lugs, or “banana” type connectors (except in the European Community countries where their use is not permitted).

Route the wires from the amplifier to the speakers. Give yourself enough slack so you can move the components to allow access to the speaker connectors.

If you are using banana plugs, connect them to the wires and then plug into the backs of the speaker connectors. The collars of the speaker connectors should be screwed in all the way (clockwise).



If you are using terminal lugs, connect them to the wires. If you are attaching bare wires directly to the speaker connectors, separate the wire conductors and strip back the insulation from the end of each conductor. Be careful not to cut into the wire strands. Unscrew (turn counterclockwise) the speaker connector collar. Place the connector lug around the shaft, or insert the bundled wire into the hole in the shaft. Turn the collars clockwise to clamp the connector lug or wire firmly in place.

**NOTE:** Be sure there are no loose wire strands that could touch adjacent wires or connectors.

## Troubleshooting

Most difficulties in audio systems are the result of poor or wrong connections, or improper control settings. If you encounter problems, isolate the area of the difficulty, check the control settings, determine the cause of the fault and make the necessary changes. If you are unable to get sound from the amplifier, refer to the suggestions for the following conditions:

### Front Panel Power Indicator Is Not Lit

No mains power to the amplifier. Check AC power connections at the amplifier and the AC outlet. Check the front panel power switch. Make sure that it is set to the ON position. If using 12V trigger power on, make sure that a trigger signal is present at rear panel screw terminals.

### No Sound

If the amp is getting AC power, but is producing no sound, check the PROTECTION INDICATOR on the front panel. If lit, see below. If not, check all of your connections and control settings on associated components. Make sure that your input connections and speaker connections match your selected configuration.

### Protection Indicator Is Lit

The front panel PROTECTION INDICATOR is lit when the amplifier protection circuits have shut off the amplifier. Typically, this occurs only when the amplifier has overheated, when there is faulty speaker wiring, or after a period of extreme use. Turn off the system and wait for the amp to cool. Then push the front panel power switch in and out to reset the protection devices. If the problem is not corrected or reoccurs, there is a problem with the system or the amplifier itself.

## Specifications

### RMB-1565

<b>Continuous Power Output</b>	100 watts/channel
<i>(20-20 kHz, &lt; 0.03%, 8 ohms)</i>	
<b>Total Harmonic Distortion</b>	< 0.03%
<i>(20Hz-20kHz, 8 ohms)</i>	
<b>Intermodulation Distortion</b>	< 0.03%
<i>(60 Hz : 7 kHz, 4:1)</i>	
<b>Frequency Response</b>	10Hz - 40kHz
<i>(± 1dB)</i>	
<b>Damping Factor</b>	200
<i>(20-20,000 Hz, 8 ohms)</i>	
<b>Speaker Impedance</b>	4 ohms minimum
<i>(Normal mode)</i>	
<b>Signal to Noise Ratio</b>	105 dB
<i>(IHF A network)</i>	
<b>Input Impedance/Sensitivity</b>	8.2 k Ohms/1.25 volt
<b>Power Requirements</b>	110 -240 Volts, 50-60 Hz
<b>Power Consumption</b>	250 Watts
<b>Dimensions</b>	
Width x Height x Depth	431 x 99 x 339 mm 17 x 37/8 x 13 <sup>3</sup> / <sub>8</sub> ins.
Front Panel Height	2U
<b>Weight</b> <i>(net)</i>	6 kg, 13.23 lb.

### RMB-1575

<b>Continuous Power Output</b>	250 watts/channel
<i>(20-20 kHz, &lt; 0.03%, 8 ohms)</i>	
<b>Total Harmonic Distortion</b>	< 0.03%
<i>(20Hz-20kHz, 8 ohms)</i>	
<b>Intermodulation Distortion</b>	< 0.03%
<i>(60 Hz : 7 kHz, 4:1)</i>	
<b>Frequency Response</b>	10Hz - 80kHz
<i>(± 1dB)</i>	
<b>Damping Factor</b>	400
<i>(20-20,000 Hz, 8 ohms)</i>	
<b>Speaker Impedance</b>	4 ohms minimum
<i>(Normal mode)</i>	
<b>Signal to Noise Ratio</b>	109 dB
<i>(IHF A network)</i>	
<b>Input Impedance/Sensitivity</b>	8.3 k Ohms/1.5 volt
<b>Power Requirements</b>	
U.S. version	120 Volts, 60 Hz
European version	230 Volts, 50 Hz
<b>Power Consumption</b>	600 Watts
<b>Dimensions</b>	
Width x Height x Depth	431 x 144 x 406 mm 17 x 5 <sup>11</sup> / <sub>16</sub> x 16 ins.
Front Panel Height	3U
<b>Weight</b> <i>(net)</i>	11 kg, 24.25 lb.

All specifications are accurate at the time of printing.  
Rotel reserves the right to make improvements without notice.

## Wichtige Sicherheitshinweise

**WARNUNG:** Im Innern des Gerätes befinden sich keine vom Bediener zu wartenden Teile. Alle Servicearbeiten müssen von qualifiziertem Servicepersonal durchgeführt werden.

**WARNUNG:** Zum Schutz vor Feuer oder einem elektrischen Schlag darf das Gerät weder Feuchtigkeit noch Wasser ausgesetzt werden. Achten Sie darauf, dass keine Spritzer in das Gerät gelangen. Stellen Sie keine mit Flüssigkeit gefüllten Gegenstände (z. B. Vasen) auf das Gerät. Das Eindringen von Gegenständen in das Gehäuse ist zu vermeiden. Sollte das Gerät trotzdem einmal Feuchtigkeit ausgesetzt sein oder ein Gegenstand in das Gehäuse gelangen, so trennen Sie es sofort vom Netz. Lassen Sie es von einem Fachmann prüfen und die notwendigen Reparaturarbeiten durchführen.

Lesen Sie sich alle Hinweise vor dem Anschließen und dem Betrieb des Gerätes genau durch.

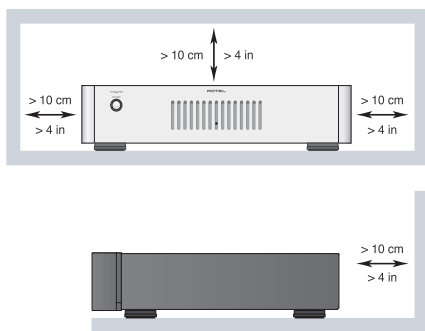
Bewahren Sie die Bedienungsanleitung so auf, dass sie jederzeit Zugriff auf diese Sicherheitshinweise haben.

Alle Warn- und Sicherheitshinweise in dieser Bedienungsanleitung und auf dem Gerät müssen genau beachtet werden. Außer den beschriebenen Handgriffen sind vom Bediener keine Arbeiten am Gerät vorzunehmen.

Reinigen Sie das Gehäuse nur mit einem weichen, trockenen Tuch oder einem Staubsauger.

Nutzen Sie das Gerät nicht in der Nähe von Wasser.

Stellen Sie sicher, dass um das Gerät ein Freiraum von 10 cm gewährleistet ist. Stellen Sie das Gerät weder auf ein Bett, Sofa, Teppich oder ähnliche Oberflächen, damit die Ventilationsöffnungen nicht verdeckt werden. Das Gerät sollte nur dann in einem Regal oder in einem Schrank untergebracht werden, wenn eine ausreichende Luftzirkulation gewährleistet ist.



Stellen Sie das Gerät nicht in die Nähe von Wärmequellen (Heizkörper, Wärmespeicher, Öfen oder sonstige wärmeerzeugende Geräte).

**WARNUNG:** Die Verbindung mit den Netz kann nur über den Netzeingang an der Geräterückseite unterbrochen werden. Das Gerät muss so aufgestellt werden, dass Sie freien Zugriff auf den Netzeingang haben.

Bevor Sie das Gerät in Betrieb nehmen, prüfen Sie, ob die Betriebsspannung mit der örtlichen Netzspannung (Europa: 230 V/50 Hz) übereinstimmt. Die Betriebsspannung ist an der Rückseite des Gerätes angegeben.

Schließen Sie das Gerät nur mit dem dazugehörigen zweipoligen Netzkabel an die Wandsteckdose an. Modifizieren Sie das Netzkabel auf keinen Fall. Versuchen Sie nicht, die Erdungs- und/oder Polarisationsvorschriften zu umgehen. Passt der Stecker nicht in die Steckdose, wenden Sie sich an einen qualifizierten Fachmann. Verwenden Sie keine Verlängerungskabel.

Netzkabel sind so zu verlegen, dass sie nicht beschädigt werden können (z. B. durch Trittbelastung, Möbelstücke oder Erwärmung). Besondere Vorsicht ist dabei an den Steckern, Verteilern und den Anschlussstellen des Gerätes geboten.

Bei Gewitter oder wenn Sie das Gerät für eine längere Zeit nicht in Betrieb nehmen ziehen Sie den Netzstecker aus der Steckdose.

Dieses Gerät sollte, wie andere Elektrogeräte auch, nicht unbeaufsichtigt betrieben werden.

Benutzen Sie nur vom Hersteller empfohlenes Zubehör.

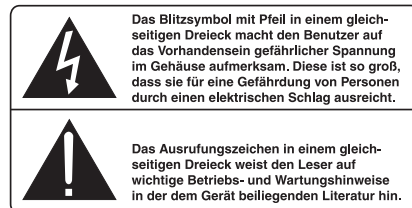
Verwenden Sie nur von Rotel empfohlene Transportmittel, Racks, Halterungen oder Regalsysteme. Seien Sie vorsichtig, wenn Sie das Gerät in einem Ständer oder Rack bewegen, um Verletzungen durch Umkippen vorzubeugen.



Verwenden Sie gemäß Class 2 isolierte Lautsprecherkabel, um eine ordnungsgemäße Installation zu gewährleisten und die Gefahr eines elektrischen Schlages zu minimieren.

Schalten Sie das Gerät sofort aus und ziehen Sie geschultes Fachpersonal zu Rate, wenn:

- das Netzkabel oder der Stecker beschädigt sind,
- Gegenstände bzw. Flüssigkeit in das Gerät gelangt sind,
- das Gerät Regen ausgesetzt war,
- das Gerät nicht ordnungsgemäß funktioniert bzw. eine deutliche Leistungsminderung aufweist,
- das Gerät hingefallen ist bzw. beschädigt wurde.








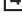

Rotel-Produkte entsprechen den internationalen Richtlinien über die Beschränkung der Verwendung bestimmter gefährlicher Stoffe in Elektro- und Elektronikgeräten (Restriction of Hazardous Substances (kurz RoHS genannt)) und über Elektro- und Elektronik-Altgeräte (Waste Electrical and Electronic Equipment (WEEE)). Die durchgestrichene Mülltonne steht für deren Einhaltung und besagt, dass die Produkte ordnungsgemäß recycelt oder diesen Richtlinien entsprechend entsorgt werden müssen.



Dieses Symbol bedeutet, dass das Gerät doppelt isoliert ist. Es muss daher nicht geerdet werden.



# Inhaltsverzeichnis

Figure 1: Bedienelemente und Anschlüsse	3
Figure 2: Anschlussdiagramm	4
Wichtige Hinweise	5
<b>Wichtige Sicherheitshinweise</b> .....	<b>10</b>
<b>Die Firma Rotel</b> .....	<b>11</b>
<b>Ein Wort zur Leistungsangabe</b> .....	<b>11</b>
<b>Zu dieser Anleitung</b> .....	<b>12</b>
Features	12
Einige Vorsichtsmaßnahmen	12
Aufstellung des Gerätes	12
<b>Netzspannung und Bedienung</b> .....	<b>12</b>
Netzanschluss 	12
Netzschalter und Betriebsanzeige 	12
ON/OFF-Kippschalter 	13
12-V-Trigger-Ein- und -Ausgang 	13
Protection-LED 	13
<b>Eingangssignalanschlüsse</b> 	<b>13</b>
<b>Lautsprecher</b> .....	<b>13</b>
Auswahl der Lautsprecher	13
Auswahl der Lautsprecherkabel	13
Polarität und Phasenabgleich	13
Anschließen der Lautsprecher 	13
<b>Bei Störungen</b> .....	<b>14</b>
Die Betriebsanzeige leuchtet nicht	14
Kein Ton	14
Protection-LED leuchtet	14
<b>Technische Daten</b> .....	<b>14</b>

## Die Firma Rotel

Unsere Geschichte begann vor ungefähr 50 Jahren. In den folgenden Jahrzehnten haben wir Hunderte von Auszeichnungen für unsere Produkte erhalten und unzähligen Menschen echten Hörgenuss bereitet, denen gute Unterhaltung wichtig ist.

Rotel wurde von einer Familie gegründet, deren Interesse an Musik so groß war, dass sie beschloss, hochwertigste HiFi-Produkte herzustellen und Musikliebhabern ungeachtet ihres Geldbeutels einen außergewöhnlichen Wert zukommen zu lassen. Ein Ziel, das von allen Rotel-Mitarbeitern verfolgt wird.

Die Ingenieure arbeiten als Team eng zusammen. Sie hören sich jedes neue Produkt an und stimmen es klanglich ab, bis es den gewünschten Musikstandards entspricht. Die eingesetzten Bauteile stammen aus verschiedenen Ländern und wurden ausgewählt, um das jeweilige Produkt zu optimieren. So finden Sie in Rotel-Geräten Kondensatoren aus Großbritannien und Deutschland, Halbleiter aus Japan oder den USA und direkt bei Rotel gefertigte Ringkerntransformatoren.

Wir fühlen uns unserer Umwelt gegenüber verpflichtet. Und da immer mehr Elektronik produziert wird und später entsorgt werden muss, ist es von Herstellerseite besonders wichtig, Produkte zu entwickeln, die unsere Mülldeponien und Gewässer möglichst wenig belasten.

Rotel ist stolz darauf, seinen Beitrag zu leisten. So konnten wir den Bleianteil in unserer Elektronik durch bleifreies Lötten reduzieren. Unsere neuen Class-D-Verstärker (nicht digital) arbeiten bis zu 5-mal effizienter als ältere Verstärker-Designs, ohne dabei an Leistung und Performance zu verlieren. Mit ihren geringeren Wärmeverlusten schonen diese Produkte nicht nur die Umwelt, sie überzeugen auch klanglich.

Last, not least ist diese Anleitung auf Recyclingpapier gedruckt.

Dies sind zwar kleine, aber wichtige Schritte. Und wir forschen weiter nach Verfahren und Materialien für einen saubereren und umweltfreundlicheren Herstellungsprozess.

Vielen Dank, dass Sie sich für dieses Rotel-Produkt entschieden haben. Wir sind sicher, dass Sie in den nächsten Jahren viel Freude daran haben werden.

## Ein Wort zur Leistungsangabe

Die Ausgangsleistung der RMB-1565 wird mit 100 Watt pro Kanal und die der RMB-1575 mit 250 Watt angegeben, wenn alle fünf Kanäle gleichzeitig die volle Ausgangsleistung liefern.

Rotel spezifiziert die Ausgangsleistung auf diese Weise, da nach unserer Erfahrung hiermit das tatsächliche Leistungspotenzial des Receivers oder Verstärkers wiedergespiegelt wird.

Beim Vergleich der technischen Daten verschiedener Hersteller sollten Sie sich darüber im Klaren sein, dass die Ausgangsleistung oftmals auf unterschiedliche Weise angegeben wird, so dass kein direkter Vergleich möglich ist.

Wird die Ausgangsleistung beispielsweise bei einem aktiven Kanal gemessen, so liegt der Maximalwert höher. Das erstklassige Schaltnetzteil der Rotel-Class-D-Verstärker gewährleistet, dass die gesamte angegebene Ausgangsleistung an einem bzw. an beiden Kanälen zur Verfügung steht.

Die Impedanz eines Lautsprechers steht für den elektrischen Widerstand oder die Last, die er für den Verstärker darstellt. Sie liegt in der Regel bei 8 oder 4 Ohm. Je geringer die Impedanz, desto höher ist die benötigte Leistung. So ist für den Antrieb eines 4-Ohm-Lautsprechers die doppelte Leistung erforderlich wie für einen 8-Ohm-Lautsprecher.

Idealerweise sollte der Verstärker an 4-Ohm-Lasten die doppelte Leistung abgeben – bei 100 Watt an 8 Ohm also 200 Watt an 4 Ohm. Grundsätzlich stellen Lautsprecher mit einer niedrigeren Impedanz höhere Ansprüche an das Netzteil des Verstärkers, da sie mehr Strom ziehen und mehr Wärme abgeben.

Daher sind Rotel-Verstärker so ausgelegt, dass sie mit jedem Lautsprecher mit einer Impedanz zwischen 8 und 4 Ohm arbeiten können, wobei alle Kanäle dabei die angegebene Ausgangsleistung liefern. Da das Rotel-Design so optimiert wurde, dass der gleichzeitige Betrieb aller Kanäle möglich ist, kann Rotel die tatsächliche Ausgangsleistung für alle Kanäle angeben.

Und das kann auch für Ihr Hörvergnügen von entscheidender Bedeutung sein. Beim Ansehen eines Filmes ist es immer von Vorteil, wenn der Verstärker in der Lage ist, auf allen Kanälen gleichzeitig die volle Ausgangsleistung zu gewährleisten. Das gilt besonders, wenn im Film ein Vulkan ausbricht!

## Zu dieser Anleitung

Vielen Dank, dass Sie sich für die RMB-1565 bzw. die RMB-1575 von Rotel entschieden haben. Diese leistungsstarken Fünfkanal-Endstufen können optimal in jedem qualitativ hochwertigen HiFi- oder Heimkinosystem eingesetzt werden.

Die RMB-1565 und die RMB-1575 sind Fünfkanal-Hochleistungsstufen und überzeugen durch höchste Wiedergabequalität. Ihre Class-D-Verstärkerschaltungen, ihr Schaltnetzteil, erstklassige Bauteile und Rotels Balanced-Design-Konzept gewährleisten eine herausragende Klangqualität. Aufgrund der hohen Stromlieferfähigkeit können die RMB-1565 und die RMB-1575 problemlos anspruchsvolle Lautsprecher antreiben.

### Features

- Fünf Verstärkerkanäle.
- Power on/off-Konfiguration: manuell oder über 12-V-Trigger-Signal.
- Schutzschaltung mit LED-Anzeige an der Gerätefront.

### Einige Vorsichtsmaßnahmen

Lesen Sie sich die Bedienungsanleitung bitte vor der Inbetriebnahme genau durch. Neben grundsätzlichen Installations- und Bedienungshinweisen (bitte beachten Sie auch die Sicherheitshinweise am Anfang der Bedienungsanleitung) enthält sie allgemeine Informationen, die Ihnen helfen werden, Ihr System mit seiner maximalen Leistungsfähigkeit zu betreiben. Bitte setzen Sie sich bei etwaigen Fragen mit Ihrem autorisierten Rotel-Fachhändler in Verbindung.

Bewahren Sie den Versandkarton und das übrige Verpackungsmaterial der Endstufe für einen eventuellen späteren Einsatz auf. Der Versand oder Transport der Endstufe in einer anderen als der Originalverpackung kann zu erheblichen Beschädigungen Ihrer Endstufe führen.

Schicken Sie die Ihrer Endstufe beiliegende Garantieforderungskarte ausgefüllt an den Rotel-Distributor in Ihrem Land. Bewahren Sie bitte die Original-Kaufquittung auf. Sie belegt am besten das Kaufdatum, das für Sie wichtig wird, sobald Sie eine Garantieleistung in Anspruch nehmen.

### Aufstellung des Gerätes

Die RMB-1565 und die RMB-1575 erwärmen sich während des normalen Betriebes. Diese Wärme kann unter normalen Bedingungen über die Kühlrippen und Ventilationsöffnungen der Endstufe problemlos abgeführt werden. Die Ventilationsöffnungen an der Oberseite dürfen nicht blockiert werden. Das Gerät ist an einem Ort aufzustellen, an dem rund um das Gehäuse ein Freiraum von 10 cm und eine ausreichende Luftzirkulation gewährleistet sind, um ein Überhitzen zu verhindern. Berücksichtigen Sie beim Aufbau das Gewicht der Endstufe. Stellen Sie sicher, dass das Regal oder der Schrank ihr Gewicht tragen können.

## Netzspannung und Bedienung

### Netzeingang

Die Endstufe wird mit dem passenden Netzkabel geliefert. Verwenden Sie nur dieses oder ein gleichwertiges Kabel. Verwenden Sie kein Verlängerungskabel. Eine hochbelastbare Mehrfachsteckdose kann eingesetzt werden, wenn sie ausreichende Strommengen für die Endstufe liefern kann.


Die RMB-1565 konfiguriert sich automatisch (von 110 bis 240 Volt bei 50/60 Hz). Sie müssen keine Einstellungen vornehmen, um das Gerät an die örtliche Netzspannung anzupassen.

Die RMB-1575 wird von Rotel so eingestellt, dass sie mit der in Ihrem Land üblichen Wechselspannung (Europa: 230 Volt Wechselspannung/50 Hz; USA: 115 Volt Wechselspannung/60 Hz) arbeitet. Die Einstellung ist an der Geräterückseite angegeben.

---

**Hinweis:** Sollten Sie mit Ihrer RMB-1575 in ein anderes Land umziehen, kann die Einstellung der Endstufe geändert werden, so dass sie mit einer anderen Netzspannung betrieben werden kann. Versuchen Sie auf keinen Fall, diese Änderung selber vorzunehmen. Durch Öffnen des Endstufengehäuses setzen Sie sich gefährlichen Spannungen aus. Ziehen Sie hierzu stets qualifiziertes Servicepersonal zu Rate.

---

Verbinden Sie das beiliegende Netzkabel mit dem Netzeingang  an der Geräterückseite. Sind alle Verbindungen hergestellt, stecken Sie das andere Ende des Kabels in die Wandsteckdose.

---

**Hinweis:** Sind Sie für längere Zeit nicht zu Hause, wie z. B. während einer mehrwöchigen Urlaubsreise, sollten Sie Ihre Endstufe (ebenso wie alle anderen Audio- und Videokomponenten) während Ihrer Abwesenheit vom Netz trennen.

---

### Netzschalter und Betriebsanzeige


Der Netzschalter befindet sich an der Gerätefront. Drücken Sie ihn zum Einschalten (oder um den optionalen, automatischen Power on-Modus zu aktivieren). Der Ring um den Schalter beginnt zu leuchten und zeigt an, dass die Endstufe eingeschaltet ist. Drücken Sie zum Ausschalten der Endstufe erneut den Netzschalter.

## ON/OFF-Kippschalter

Die Endstufe kann über ihr „12-V-Trigger“-System automatisch ein- und ausgeschaltet werden. Über den ON/OFF-Kippschalter können Sie den gewünschten Modus auswählen.

- Befindet sich der Kippschalter in der OFF-Position, wird die Endstufe manuell über den Netzschalter an der Gerätefront ein- und ausgeschaltet. Nutzen Sie diesen Modus, wenn Sie zur Stromversorgung der Endstufe eine geschaltete Steckdose einsetzen.
- Befindet sich der Kippschalter in der ON-Position, wird die Endstufe automatisch eingeschaltet, wenn an der 3,5-mm- und mit IN gekennzeichneten 12V TRIG IN-Buchse ein 12-V-Trigger-Signal anliegt. Über den Netzschalter an der Gerätefront können Sie diese Funktion umgehen. Der +12-V-Trigger funktioniert nur, wenn der Netzschalter in die Ein-Position gedrückt wurde. Befindet er sich in der Aus-Position, bleibt die Endstufe abgeschaltet, auch wenn ein Trigger-Signal anliegt.

## 12-V-Trigger-Ein- und -Ausgang

An die mit IN gekennzeichnete Anschlussbuchse kann zum Ein- und Ausschalten der Endstufe ein Anschlusskabel mit 3,5-mm-Klinkensteckern zur Übertragung eines +12-V-Trigger-Signals angeschlossen werden. Dazu ist der oben beschriebene Kippschalter  in die ON-Position zu setzen (siehe vorherigen Abschnitt). Dieser Eingang reagiert auf Gleich- oder Wechselspannungssignale von 3 bis 30 Volt.

An die mit OUT gekennzeichnete Buchse kann ein weiteres Anschlusskabel mit 3,5-mm-Klinkensteckern angeschlossen werden, über das ein 12-V-Trigger-Signal zu anderen Komponenten geleitet werden kann. Das 12-V-Ausgangssignal steht bereit, sobald ein +12-V-Trigger-Signal an der mit IN gekennzeichneten Buchse anliegt.

## Protection-LED

Die thermische Schutzschaltung schützt die Endstufe vor möglichen Schäden durch extreme oder fehlerhafte Betriebsbedingungen. Sie ist im Gegensatz zu vielen anderen Konstruktionen unabhängig vom Audiosignal und beeinflusst den Klang nicht. Stattdessen überwacht sie die Temperatur an den Leistungstransistoren und schaltet die Endstufe ab, sobald bestimmte Temperaturgrenzen überschritten werden.

Darüber hinaus ist in die Endstufe ein Überstromschutz integriert, der nur dann anspricht, wenn die Lastimpedanz zu stark abnimmt. Diese Schutzschaltung funktioniert für jeden der fünf Kanäle unabhängig.

Sollte es zu einer Störung kommen, wird der gestörte Verstärkerkanal abgeschaltet. Die Protection-LED an der Gerätefront beginnt zu leuchten.

Schalten Sie die Endstufe in diesem Fall aus. Lassen Sie sie einige Minuten abkühlen. Versuchen Sie, den Grund für die Störung herauszufinden und zu beheben. Beim erneuten Einschalten der Endstufe setzt sich die Schutzschaltung automatisch zurück, und die LED erlischt.

In den meisten Fällen wird die Schutzschaltung durch eine Fehlfunktion, wie z. B. durch kurzgeschlossene Lautsprecherkabel oder eine unzureichende Belüftung, die schließlich zu einer Überhitzung führt, aktiviert. In sehr seltenen Fällen können Lautsprecher mit einer extrem niedrigen Impedanz die Schutzschaltung aktivieren.

## Eingangssignalanschlüsse

Siehe Figure 2

An der Rückseite der RMB-1565 und der RMB-1575 befinden sich unsymmetrische Cinch-Eingänge, wie sie an jedem hochwertigen Audiogerät zu finden sind. Für jeden der fünf Verstärkerkanäle steht ein Cinch-Eingang zur Verfügung. Sie akzeptieren Audiosignale von Vorverstärkern oder Surround-Prozessoren. Verwenden Sie hochwertige Audioverbindungskabel, um eine optimale Klangqualität zu gewährleisten.

## Lautsprecher

Die RMB-1565 und die RMB-1575 verfügen über fünf Paar Lautsprecheranschlussklemmen, ein Paar für jeden Kanal.

### Auswahl der Lautsprecher

Wir empfehlen, an die RMB-1565 und die RMB-1575 Lautsprecher mit einer nominalen Impedanz von mindestens 4 Ohm anzuschließen.

### Auswahl der Lautsprecherkabel

Verbinden Sie die Endstufe und die Lautsprecher über ein isoliertes, zweiadriges Lautsprecherkabel. Aufbau und Qualität des Kabels können hörbare Effekte auf die Musikwiedergabe haben. Standard-„Klingeldraht“ wird funktionieren, jedoch können vor allem bei größeren Kabellängen Leistungsverluste und eine ungleichmäßige Wiedergabe des Frequenzspektrums das Ergebnis sein. Allgemein gilt, dass Kabel mit größerem Querschnitt eine verbesserte Wiedergabequalität gewährleisten. Für höchste Wiedergabequalität sollten Sie die Benutzung von speziellen, hochwertigen Lautsprecherkabeln erwägen. Ihr autorisierter Rotel-Fachhändler wird Ihnen bei der Auswahl dieser Lautsprecherkabel gerne weiterhelfen.

### Polarität und Phasenabgleich

Die Polarität – die positive/negative Ausrichtung der Anschlüsse – muss für jede Lautsprecher-/Verstärkerverbindung phasengleich sein. Wird die Polarität einer Verbindung irrtümlicherweise umgekehrt, führt dies zu einem unausgewogenen Klangbild mit schwachen Bässen. Die Kabel sind zur Identifizierung gekennzeichnet. So kann die Isolationsschicht eines Leiters gerippt oder ein Leiter mit einem Streifen markiert sein. Das Kabel kann verschiedenfarbige Leiter (Kupfer und Silber) besitzen und von einer transparenten Isolationsschicht umgeben sein. Bei anderen Kabeln wird die Polaritätsangabe auf die Isolationsschicht gedruckt. Unterscheiden Sie zwischen positiven und negativen Leitern und achten Sie beim Anschluss an Lautsprecher und Verstärker auf die gleiche Polung.

### Anschließen der Lautsprecherkabel

Die RMB-1565 und die RMB-1575 verfügen an der Rückseite über zwei farbig gekennzeichnete Schraubklemmen für jeden Verstärkerkanal. An diese Klemmen können blanke Drähte oder Kabelschuhe angeschlossen werden.

Führen Sie die Kabel von der Endstufe zu den Lautsprechern. Lassen Sie genügend Raum, damit Sie die Komponenten bewegen können und so einen freien Zugang zu den Lautsprecheranschlüssen sicherstellen.

Bei der Verwendung von Kabelschuhen verbinden Sie diese mit den Kabeln, stecken die Kabelschuhe hinten unter die Anschlussklemmen und drehen die Klemmen im Uhrzeigersinn fest.

Sollten die Lautsprecherkabel direkt (ohne Kabelschuhe) an die Lautsprecherklemmen angeschlossen werden, so entfernen Sie an den Kabelenden ca. 15 mm der Isolation. Lösen Sie die Schraubklemmen durch Drehen gegen den Uhrzeigersinn. Verdrillen Sie die blanken Kabelenden, um ein Zerfasern zu vermeiden, und stecken Sie das verdrillte Kabel hinter die Schraubklemmen. Anschließend drehen Sie diese im Uhrzeigersinn fest.

**Hinweis:** Achten Sie bitte darauf, dass die blanken Kabelenden vollständig an den Schraubklemmen untergebracht sind und somit das Berühren benachbarter Drähte oder Anschlüsse ausgeschlossen ist.

## Bei Störungen

Tritt eine scheinbare Fehlfunktion auf, sollten zuerst die nachstehend aufgeführten Punkte überprüft werden. Viele Probleme beruhen auf falschen Einstellungen der Bedienelemente oder fehlerhaften Anschlüssen. Lässt sich das Problem nicht beheben, wenden Sie sich bitte an Ihren autorisierten Rotel-Fachhändler.

### Die Betriebsanzeige leuchtet nicht

Die Endstufe bekommt keinen Strom. Prüfen Sie, ob der Netzschalter an der Gerätefront gedrückt wurde. Prüfen Sie die Netzanschlüsse an der Endstufe und der Wandsteckdose. Befindet sich der Kippschalter an der Geräterückseite in der ON-Position, so prüfen Sie, ob ein Trigger-Signal an der 12V TRIG IN-Buchse anliegt.

### Kein Ton

Bekommt die Endstufe Strom und ist trotzdem kein Ton zu hören, prüfen Sie, ob die Protection-LED an der Frontseite leuchtet. Falls ja, beachten Sie bitte die Hinweise unten. Falls nicht, prüfen Sie, ob alle Geräte richtig angeschlossen sind und die Einstellungen an den angeschlossenen Geräten richtig vorgenommen wurden. Stellen Sie sicher, dass die Eingangs- und Lautsprecherverbindungen entsprechend der Systemkonfiguration hergestellt worden sind.

### Protection-LED leuchtet

Wurde die Endstufe von der Schutzschaltung abgeschaltet, beginnt die Protection-LED an der Gerätefront zu leuchten. Normalerweise passiert dies nur, wenn die Endstufe überhitzt wurde, die Lautsprecher nicht richtig angeschlossen wurden oder bei extremer Belastung. Schalten Sie das System ab und warten Sie, bis sich die Endstufe abgekühlt hat. Drücken Sie den Netzschalter anschließend einmal ein und aus, um die Schutzschaltung zurückzusetzen. Ist die Störung nicht beseitigt oder tritt sie erneut auf, liegt das Problem im System oder in der Endstufe selber.

## Technische Daten

### RMB-1565

<b>Dauerausgangsleistung</b> <i>(20 Hz – 20 kHz, &lt;0,03 %, 8 Ohm)</i>	100 Watt/Kanal
<b>Gesamtklirrfaktor</b> <i>(20 Hz – 20 kHz, 8 Ohm)</i>	< 0,03 %
<b>Intermodulationsverzerrung</b> <i>(60 Hz : 7 kHz, 4:1)</i>	< 0,03 %
<b>Frequenzgang</b> <i>(±1 dB)</i>	10 Hz – 40 kHz
<b>Dämpfungsfaktor</b> <i>(20 Hz – 20 kHz, 8 Ohm)</i>	200
<b>Lautsprecherimpedanz</b> <i>(Normaler Modus)</i>	Minimum 4 Ohm
<b>Geräuschspannungsabstand</b> <i>(IHF A)</i>	105 dB
<b>Eingangsimpedanz/-empfindlichkeit</b>	8,2 kOhm/1,25 Volt
<b>Spannungsversorgung</b>	110 – 240 Volt, 50/60 Hz
<b>Leistungsaufnahme</b>	250 Watt
<b>Abmessungen</b> <i>(Breite x Höhe x Tiefe)</i>	431 x 99 x 339 mm
<b>Höhe des Frontpanels</b>	2 U
<b>Nettogewicht</b>	6,0 kg

### RMB-1575

<b>Dauerausgangsleistung</b> <i>(20 Hz – 20 kHz, &lt;0,03 %, 8 Ohm)</i>	250 Watt/Kanal
<b>Gesamtklirrfaktor</b> <i>(20 Hz – 20 kHz, 8 Ohm)</i>	< 0,03 %
<b>Intermodulationsverzerrung</b> <i>(60 Hz : 7 kHz, 4:1)</i>	< 0,03 %
<b>Frequenzgang</b> <i>(±1 dB)</i>	10 Hz – 80 kHz
<b>Dämpfungsfaktor</b> <i>(20 Hz – 20 kHz, 8 Ohm)</i>	400
<b>Lautsprecherimpedanz</b> <i>(Normaler Modus)</i>	Minimum 4 Ohm
<b>Geräuschspannungsabstand</b> <i>(IHF A)</i>	109 dB
<b>Eingangsimpedanz/-empfindlichkeit</b>	8,3 kOhm/1,5 Volt
<b>Spannungsversorgung</b>	Europa: 230 Volt, 50 Hz
<b>Leistungsaufnahme</b>	600 Watt
<b>Abmessungen</b> <i>(Breite x Höhe x Tiefe)</i>	431 x 144 x 406 mm
<b>Höhe des Frontpanels</b>	3 U
<b>Nettogewicht</b>	11,0 kg

Diese Bedienungsanleitung entspricht dem technischen Stand bei Drucklegung. Änderungen in Technik und Ausstattung vorbehalten.



## Belangrijke Veiligheidsinstructies

**WAARSCHUWINGEN:** Laat u alstublieft het apparaat gesloten, er bevinden zich binnenin geen door u te bedienen of te herstellen onderdelen. Iedere reparatie dient door een gekwalificeerde technicus verricht te worden.

**WAARSCHUWINGEN:** Om het risico op elektrische schokken of brand te vermijden, moet u zorgen dat het apparaat niet nat wordt. Zet dus geen objecten gevuld met water, b.v. een vaas bloemen, op het apparaat. Zorg er ook voor dat er geen voorwerpen in de behuizing terecht kunnen komen. Mocht het apparaat toch nat zijn geworden of voorwerpen in de behuizing terecht zijn gekomen, ontkoppel dan meteen het toestel van het lichtnet en breng het naar een erkende audiotchnicus ter controle en/of eventuele reparatie.

Lees de gehele gebruiksaanwijzing. Voordat u met het apparaat gaat werken is het van groot belang dat u weet hoe u ermee om moet gaan en dat zo veilig mogelijk.

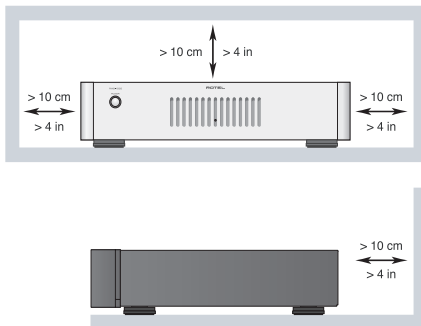
Bewaar deze gebruiksaanwijzing op een plek, die u zich na verloop van tijd nog weet te herinneren.

De waarschuwingen op het apparaat en in de gebruiksaanwijzing zijn belangrijk, sla ze niet in de wind.

Als het apparaat vuil wordt, stof het dan af met een zachte, droge doek, of maak gebruik van een stofzuiger. Gebruik nooit een oplosmiddel van welke soort dan ook.

Gebruik het apparaat niet op natte of vochtige plaatsen.

**Het apparaat moet dusdanig gebruikt worden, dat een behoorlijke koeling niet in het gedrang komt. Laat om het apparaat minstens een ruimte van 10cm. vrij.**



Gebruik het apparaat dus niet op: een bed, een sofa, een plaid of andere onregelmatige oppervlakken waardoor de ventilatiegaten geblokkeerd zouden kunnen worden. Ook het inbouwen in een te kleine ruimte kan een voldoende koeling in de weg staan.

Het apparaat moet verre gehouden worden van warmtebronnen zoals: radiatoren en kachels, maar ook van andere versterkers.

**LET OP:** Uiterst rechts op de achterzijde van het apparaat bevindt zich de lichtnet aansluiting. Zorg ervoor dat het apparaat zo is opgesteld dat u er te allen tijde bij kunt.

Het apparaat mag alleen aangesloten worden op het voltage, zoals aangegeven op de achterzijde. Hier in de Benelux 230V/50Hz.

Het apparaat dient alleen aangesloten te worden middels de bijgeleverde netkabel of een soortgelijk. Doe in ieder geval nooit iets met het netsnoer. Doe ook geen pogingen om de aarding of polariteit van het apparaat te wijzigen en gebruik geen verlengkabels.

De lichtnetstekker van het apparaat kan losgekoppeld worden. Om er echter zeker van te zijn dat hij echt losgekoppeld is, kunt u beter het lichtnetsnoer uit het muurcontact halen. Het stand-by lampje is uit om u te tonen dat de versterker werkelijk van het lichtnet is verwijderd.

De lichtnetkabel dient te neergelegd te worden, dat hij niet in het looppad ligt of geklemd kan worden tussen scherpe voorwerpen. Vooral de aansluitpunten zijn belangrijk: de aansluiting op de wandcontactdoos en daar waar de kabel op het apparaat wordt aangesloten.

Wanneer het apparaat voor langere tijd niet gebruikt wordt en tijdens onweer, dient de lichtnetkabel uit het lichtnet verwijderd te zijn.

Gebruik alleen die accessoires die door de fabrikant aanbevolen worden.

Plaats het apparaat op een vast plat oppervlak, sterk genoeg om zijn gewicht te dragen. Vermijd verrijdbare instabiele opzetmeubels.



Het apparaat zal in service gegeven moeten worden wanneer één van de volgende situaties zich voordoet:

- Wanneer het netsnoer en/of stekker beschadigd zijn.
- Wanneer er toch voorwerpen/vloeistof in het apparaat terecht zijn gekomen.
- Als het apparaat in de regen heeft gestaan.
- Als het apparaat niet normaal functioneert of een duidelijk afwijkend gedrag vertoont.
- Wanneer het apparaat gevallen is en/of de kast beschadigd is.



Rotel Producten worden zo ontworpen dat zij voldoen aan de internationale regels betreffende de beperking van milieuvriendelijke grondstoffen die gebruikt kunnen worden in elektrische en elektronische apparatuur. Het symbool met de vuilcontainer met het kruis erdoor betekent voor u dat u, wanneer u dit apparaat wilt afvoeren, dit moet doen volgens de regels die daarvoor hier gelden.



Dit symbool wil zeggen dat het betreffende apparaat dubbel geaard is. Een separate aarding is dus overbodig.



## Inhoud

Figuur 1: De bedieningsorganen en de aansluitingen	3
Figuur 2: De in- en uitgangsverbindingen	4
Héél belangrijk:	5
<b>Belangrijke Veiligheidsinstructies</b> .....	<b>15</b>
<b>Wij van Rotel</b> .....	<b>16</b>
<b>Hoe zit het nou met die "Watten"?</b> .....	<b>16</b>
<b>Aan de slag met de RB-1565/1575</b> .....	<b>17</b>
Gebruikseigenschappen	17
Een paar voorzorgsmaatregelen	17
Een plek voor de versterker	17
<b>Het aansluiten op het Lichtnet en de Bediening</b> .....	<b>17</b>
De lichtmetaansluiting <b>7</b>	17
De aan/uitschakelaar met bijbehorende indicator <b>1</b>	17
De automatische aan/uit keuzeschakelaar <b>6</b>	17
De "+12V Trigger" in- en uitgang <b>5</b>	18
De Beveiligingsaanduiding <b>2</b>	18
<b>Het aansluiten van de ingangen</b> <b>4</b> .....	<b>18</b>
<b>De Luidsprekers</b> .....	<b>18</b>
De luidsprekerkeuze	18
De luidsprekerkabelkeuze	18
Alles in fase	18
Het aansluiten van de luidsprekers <b>3</b>	18
<b>Wat te doen bij problemen?</b> .....	<b>19</b>
De lichtnetindicator werkt niet	19
Geen geluid	19
De beveiligingsindicator licht op	19
<b>Technische gegevens</b> .....	<b>19</b>

## Wij van Rotel

Onze geschiedenis begon bijna 50 jaar geleden. Gedurende die tijd mochten we honderden onderscheidingen ontvangen en hebben we honderdduizenden mensen, die hun thuisamusement serieus nemen – zoals u - gelukkig kunnen maken.

Rotel werd opgericht door een familie met een gepassioneerde betrokkenheid bij muziek, die hen leidde tot het produceren van geluidsapparatuur van onberispelijke kwaliteit. In de loop der jaren is die passie onveranderd gebleven en het familiedoel om audiofielen en muzikliefhebbers, ongeacht hun budget, topkwaliteit te bieden, wordt nog steeds door iedere Rotel-medewerker gesteund.

Rotel's technici werken als een hecht team al tweakend en luisterend totdat ieder nieuw product dat muzikale niveau heeft bereikt, dat hun bij de aanvang van het project voor ogen stond. Zij worden volkomen vrijgelaten in hun keuze van componenten, waar ze ook op de wereld vandaan moeten komen. In Rotel apparatuur kunt u condensatoren tegenkomen uit Duitsland en Engeland, of half geleiders uit Amerika en Japan. De ringkerntransformatoren komen echter altijd uit eigen huis.

We maken ons allemaal zorgen over het milieu. Daar er steeds meer elektronica-producten worden gefabriceerd en ook later weer worden afgedankt, is het voor een fabrikant van het grootste belang om er alles aan te doen, producten te vervaardigen die een zo min mogelijk negatieve impact hebben op natuur en grondwater.

Bij Rotel zijn we er trots op ons steentje te kunnen bijdragen. We hebben bijvoorbeeld het aandeel lood in onze elektronica aanzienlijk teruggebracht door over te stappen op een speciaal ROHS (Restriction of Hazardous Substances) soldeer, terwijl wij onze klasse D (niet de D van digitaal) versterkers vijfmaal zo efficiënt gemaakt hebben t.o.v. onze vroegere ontwerpen, met handhaving van vermogen en prestatie. Ze blijven koel, vermorsen vrijwel geen energie meer, zijn dus minder belastend voor het milieu en klinken nog beter ook!

Tussen twee haakjes, deze handleiding is gedrukt op hergebruikt papier.

Wij realiseren ons dat dit de eerste stapjes zijn, maar ze zijn voor ons zeer belangrijk en we blijven nieuwe wegen en materialen zoeken voor een schonere en meer "groene" productiewijze,

Door de aanschaf van dit product danken wij u voor het in ons gestelde vertrouwen en wensen wij u er veel en langdurig plezier mee.

## Hoe zit het nou met die "Watten"?

Het uitgangsvermogen van de RMB-1565 is 100 watts per kanaal met alle kanalen tegelijkertijd aangedreven. Onder dezelfde omstandigheden levert de RMB-1575 250 watts per kanaal.

Rotel heeft ervoor gekozen het vermogen op deze wijze te specificeren, omdat het de ervaring is dat, dat de meest waarheidsgetrouwe weergave van de vermogensprestaties van een versterker of receiver is.

Als u de producten van de diverse merken met elkaar vergelijkt, zult u ontdekken dat de vermogensgegevens meestal op andere en verschillende wijzen worden vermeld.

Zo kan, bij voorbeeld, het vermogen opgegeven worden tijdens het functioneren van slechts één kanaal, waardoor de cijfers ineens veel hogere waarden aangeven. De overgestabiliseerde voedingen van Rotel's klasse D geschakelde versterkers verzekeren u ervan dat het opgegeven vermogen altijd gehaald wordt, of nu één of alle versterkers gebruikt worden.

De hoogte van de impedantie van een luidspreker betekent de elektrische weerstand of belasting voor de aangesloten versterker, meestal 8Ω (Ohm) of 4Ω. Hoe lager de impedantie des te meer vermogen zal de versterker moeten leveren. In essentie vraagt een 4Ω luidspreker tweemaal zoveel vermogen als een 8Ω luidspreker.

Dus ideaal gesproken moet een versterker met een aangesloten luidspreker van 4Ω tweemaal zoveel vermogen leveren. Het opgegeven vermogen van 100 Watts bij een 8Ω belasting, moet dus 200 Watts zijn bij een luidspreker van 4Ω. Nog lagere impedanties zullen nog meer van een voeding eisen, omdat er dan weer meer stroom getrokken wordt, waardoor ook weer meer hitte afgegeven zal worden.

Rotel versterkers echter zijn ontworpen om met luidsprekers te werken tussen 4Ω en 8Ω op vol vermogen en met alle kanalen tegelijk aangestuurd. Omdat een Rotel-opzet te allen tijde is ontworpen om te functioneren met alle beschikbare kanalen tegelijk in bedrijf, is Rotel instaat om bij deze versterker het reële vermogen op te geven voor alle kanalen.



Deze opzet kan erg belangrijk zijn voor uw luisterplezier. Als u van een film aan het genieten bent, is het fijn om te weten dat de versterker op alle kanalen tegelijk, het volle vermogen kan leveren, vooral als er een vulkaan op uitbarsten staat!

## Aan de slag met de RB-1565/1575

Wij danken u voor de aankoop van onze RB-1565 of RB-1575 5-kanalen eindversterker. Wij zijn ervan overtuigd, dat de muziek d.m.v. deze versterker ten gehore gebracht, voor u een jarenlange bron van plezier zal zijn.

De RB-1565 en de RB-1575 zijn hoogontwikkelde 5-kanalen eindversterkers, voor het verrichten van zeer hoge prestaties in een audioketen. Digitale versterkertechniek, een gestabiliseerde voeding, eerste klas onderdelen en natuurlijk Rotel's "Balanced Design" concept staan borg voor een excellente geluidskwaliteit. Bovenstaande kenmerken maken de RB-1565 of de RB-1575 tot de ideale kompaan voor moeilijk aan te sturen luidsprekereenheden.

### Gebruikseigenschappen

- Vijf3 versterkerkanalen.
- Twee door gebruiker zelf in te stellen aan/uitschakelmogelijkheden: handmatig of d.m.v. een 12 volts "trigger" signaal.
- Beveiligingscircuit met aanduiding op de voorkant.

### Een paar voorzorgsmaatregelen

Leest u vooral goed de gebruiksaanwijzing. Er staat behalve over het installeren en de bediening, belangrijke informatie in over de verschillende manieren waarop u de versterker in uw installatie kan inpassen, alsmede algemene richtlijnen om het maximale uit uw audio-installatie te halen. Mocht u, ondanks onze pogingen om het u zo duidelijk mogelijk te maken, toch nog vragen hebben aarzel dan niet om met uw Rotel-dealer contact op te nemen: hij heeft vast en zeker de antwoorden.

Bewaar als het even kan de verpakking. Altijd handig bij een eventuele verhuizing of wanneer het apparaat opgestuurd moet worden voor reparatie, want er is geen betere bescherming tijdens transport dan zijn eigen doos.

Dit zijn Rotel's algemene garantievoorwaarden: 5 jaar op de elektronische onderdelen, 2 jaar op de mechanische onderdelen en 1 jaar op een laserunit. Voor het claimen van garantie moet u wel in het bezit zijn van de originele aankoopfactuur. De garantie is niet overdraagbaar.

### Een plek voor de versterker

Beide versterkers produceren, ook onder normale omstandigheden, nogal wat warmte. De koel-ribben en de ventilatieopeningen zijn echter onder normale condities ruim voldoende om deze warmte adequaat te kunnen afvoeren. Zorg dat de versterker de ruimte heeft ( $\pm 10$ cm. rondom). De ventilatieopeningen aan de bovenkant moeten vrij zijn en de lucht moet onbelemmerd langs de versterker kunnen stromen. Controleer of de plank waarop, of het meubel waarin u de versterker zet, het gewicht wel kan torsen.

## Het aansluiten op het Lichtnet en de Bediening

### De lichtmetaansluiting

Wij hebben het correcte netsnoer bij de versterker gedaan. Gebruik alleen dit snoer of een perfect equivalent. Gebruik NOOIT een verlengsnoer. U kunt een z.g. spanningsblok gebruiken, echter alleen indien deze geschikt is voor de hoeveelheid stroom die de versterker uit het lichtnet trekt.


De RB-1565 stelt zichzelf in op de spanning die door het lichtnet aangeboden wordt. Tussen de 110V en 240V, 50 of 60Hz. Het instellen op het werkvoltage is dus overbodig geworden.

De RB-1575 is ingesteld op het lichtnetvoltage van het land waarin hij gekocht is. In uw geval dus 230 volts. U kunt het ingestelde voltage controleren op de achterkant van het apparaat.

---

**Extra informatie:** Mocht u ooit moeten verhuizen naar een land met een ander voltage, dan is de versterker op dat andere voltage in te stellen. Doe deze operatie NIET zelf, maar laat hem verrichten door uw Rotel-leverancier. Deze handelingen zijn voor een niet ingewijde niet geheel van gevaar ontbloot.

---

Doe de contra-stekker van de bijgeleverde netkabel in de voedingsingang  van het apparaat. Pas als u alle verbindingen op de versterker heeft gemaakt mag u de andere stekker in het lichtnet steken.

---


**Extra informatie:** Als u van plan bent om langdurig van huis te zijn, adviseren wij u uw gehele beeld en geluidsinstallatie (dus ook deze versterker) van het lichtnet te ontkoppelen.

---

### De aan/uitschakelaar met bijbehorende indicator


De aan/uitschakelaar vindt u op de voorkant van de versterker onder de aanduiding "POWER". Wanneer u de versterker aan wilt zetten (of om de automatische aan/uit functie te activeren) drukt u deze schakelaar in. Een ring rond deze schakelaar gaat nu aan ten teken dat de versterker aanstaat. Nogmaals deze schakelaar gebruiken zet het apparaat weer uit.

### De automatische aan/uit keuzeschakelaar

U kunt deze versterker op twee manieren al dan niet automatisch aan/uit zetten. U kunt kiezen met de schakelaar  aan de achterzijde van de versterker uit de twee volgende opties:

- Met deze schakelaar in de uit ("OFF") positie kunt u de versterker middels de schakelaar "POWER" op de voorzijde handmatig aan- en uitzetten. Gebruik deze manier ook wanneer u met een geschakeld stopcontact de versterker aan/uit wilt/kunt zetten.
- Met deze schakelaar in de "12V TRIG" positie wordt de versterker automatisch aangeschakeld wanneer er een 12 volt signaal verschijnt op de 3.5mm "12 TRIG IN" mini-jackaansluiting (5) links van deze schakelaar. Zodra het 12 volt signaal verdwijnt gaat de versterker direct uit. Ook deze "auto-aan/uit" functie werkt niet wanneer de "POWER" schakelaar op de voorzijde van de versterker niet is ingedrukt.

## De "+12V Trigger" in- en uitgang

Op de 3.5mm plugaansluiting gemerkt "IN" moet u een schakelsignaal van +12 volts zetten om de versterker op afstand aan en uit te kunnen schakelen. Om deze functie te kunnen gebruiken moet de betreffende schakelaar  in de "ON" positie gezet worden. Deze functie werkt op zowel gelijk- als wisselspanning en mag variëren tussen 3 en 30 volts.

De 3.5mm aansluiting gemerkt "OUT" is om dit schakelsignaal door te kunnen sturen naar een ander component dat op dezelfde wijze aan/uitgeschakeld kan worden. Op deze aansluiting staat alleen een 12 volts signaal als ook op de aansluiting "IN" een 12 volts signaal staat.

## De Beveiligingsaanduiding

De RB-1565 en de RB-1575 zijn uitgerust met een thermische beveiliging, welke de versterkers behoedt voor schade veroorzaakt door foutief of extreem gebruik. Dit beveiligingscircuit werkt niet, zo-als bij vele andere versterkers, afhankelijk van het signaal, dus heeft het geen invloed op de geluidsweergave. De beveiliging houdt continu de temperatuur in de gaten en schakelt de versterker uit wanneer deze te heet wordt.

Bovendien heeft deze versterker een stroombeveiligingscircuit dat hem beschermt tegen te lage luidsprekerimpedanties.

Mocht deze alarmsituatie zich voordoen, dan stopt de versterker met het produceren van geluid en de beveiligingsindicator gaat branden.

Gebeurt dit, schakel de versterker dan uit, laat hem gedurende enkele minuten afkoelen en probeer er ondertussen achter te komen wat de oorzaak van het probleem zou kunnen zijn en herstel de fout. Wanneer u nu de versterker weer aanzet, zal het beveiligingscircuit zichzelf herstellen en gaat de indicator weer uit.

In de meeste gevallen wordt het beveiligingscircuit geactiveerd door een foutieve aansluiting, bv. sluiting in de luidsprekerbedrading, of slechte ventilatie bij een oververhitte situatie. Slechts in uitzonderlijke gevallen zal de impedantie (extreem laag) of de inductie (extreem hoog) van een luidspreker de oorzaak zijn van het ingrijpen van het beveiligingscircuit.

## Het aansluiten van de ingangen

### Zie figuur 2

De RB-1565 en RB-1575 sluit u aan, zoals alle huiskamercomponenten, middels kabels met de bekende cinchpluggen. Er is één aansluiting voor elke versterkertrap. Deze ingangen zijn bedoeld om te werken met signalen afkomstig van een voorversterker of een z.g. "surroundprocessor". Gebruik als het even kan kwaliteit verbindingskabels.

## De Luidsprekers

De RB-1565 en de RB-1575 hebben vijf stel luidsprekeraansluitingen. Eén stel per versterkereenheid.

### De luidsprekerkeuze

De nominale impedantie van iedere op deze versterker aan te sluiten luidspreker mag niet minder zijn dan 4Ω.

### De luidsprekerkabelkeuze

Om de volledige potentie van deze versterker te kunnen beleven adviseren wij u hoge kwaliteit luidsprekerkabel te gebruiken. Standaard tweeadrig draad werkt wel, maar, en u kunt dat geloven of niet, de kwaliteit van de kabel is echt van grote invloed op de totale prestaties van uw installatie, vooral bij grotere lengtes. Informeer eens bij uw Rotel leverancier over de diverse mogelijkheden voor uw systeem.

### Alles in fase

Het is niet alleen belangrijk dat u de luidsprekers met de juiste kanalen verbindt, (hiermee bedoelen wij links aan links en rechts aan rechts), maar ook dat u ze correct aansluit t.o.v. het signaal. Kortom, de luidsprekers moeten "in fase" worden aangesloten. Zorg ervoor dat de + (rood) van de speaker aan de + van de versterker is aangesloten en dus de - (zwart) van de speaker aan de - van de versterker. Bij goede luidsprekerkabel is, om het u gemakkelijk te maken, de fase meestal aangeduid middels een tekst die op één van de twee anders is afgedrukt, of één van de twee geleiders is gemerkt met een kleur. Als u die tekst of kleur op alle kanalen als plus heeft aangehouden, dan weet u dat u het goed gedaan heeft. Controle is dan ook niet meer noodzakelijk.

### Het aansluiten van de luidsprekers

#### Zie figuur 2

De versterker heeft twee kleurgecodeerde luidsprekeraansluitingen per versterkereenheid. De genoemde connectoren kunnen aangesloten worden met kaal gestripte kabel, middels de bekende kabelvorkjes en met banaanpluggen, hoewel de laatste mogelijkheid binnen de Europese gemeenschap (officieel) niet mag.

Gebruik genoeg kabel om eventueel bij calamiteiten de luidsprekers of de versterker te kunnen verschuiven.

Als u tegen alle community-regels in toch banaanpluggen wilt gebruiken, moet u de draaipluggen van de versterker wel eerst helemaal indraaien.

Het beste is om verbindingsvorkjes voor de luidsprekeraansluitingen te gebruiken. Wilt u echter de kabels direct aan de luidsprekeruitgangen monteren strip dan de juiste hoeveelheid isolatie van de kabel zonder het draad zelf af te snijden en steek deze dan door het gat van de verbindingsas nadat u de draaipluggen heeft losgedraaid. Draai deze dan vervolgens weer goed vast.

---

**Extra informatie:** *Let er vooral goed op dat er geen verdwaalde draadjes van de ene luidsprekeruitgang de andere uitgang kunnen raken!*

---

## Wat te doen bij problemen?

De meeste problemen in geluidsinstallaties zijn het gevolg van slechte aansluitingen of het verkeerd gebruik van de knoppen en toetsen. Als u problemen tegenkomt probeer ze dan te lokaliseren: check eerst de bedieningsorganen maak eventueel de juiste correcties. Komt u er dan nog niet uit, probeer dan de onderstaande suggesties:

### De lichtnetindicator werkt niet

Het is duidelijk: uw versterker ziet het lichtnet niet. Controleer of de aan/uitschakelaar "POWER" wel ingedrukt is en controleer tevens of de lichtnetkabel wel goed en stevig is aangesloten. Check ook even of er wel een +12 volts signaal staat op de "12V. TRIGGER IN" plug, wanneer u deze wijze van aan/ uitschakelen gebruikt.

### Geen geluid

De lichtnetindicator brandt wel, maar jammer genoeg weinig welluidende klanken. Controleer eerst of de beveiligingsindicatie op de voorkant brandt. Is dat inderdaad het geval, handel dan als onderstaand. Zo niet, check dan alle verbindingen en of de toetsen, schakelaars en knoppen van de andere apparatuur wel correct staan.

### De beveiligingsindicator licht op

Als de beveiligingsindicator oplicht is er iets loos. Er zijn nu drie mogelijkheden: de ventilatiegaten bovenop de versterker worden geblokkeerd met als gevolg oververhitting, er heerst kortsluiting bij de luidsprekeruitgangen of er is een tijd lang extreem met de versterker aan de gang gegaan. Zet de versterker eerst uit, check dan de eerste twee mogelijkheden. De derde mogelijkheid weet u zelf het best. Wacht een paar minuten om de versterker af te laten koelen. Zet de versterker aan en meteen weer uit om het beveiligingscircuit de gelegenheid te geven zich te herstellen. Als u vervolgens de versterker weer aanzet moet het probleem zijn opgelost. Doet hij het nu nog niet, dan is het tijd om contact met uw leverancier op te nemen.

## Technische gegevens

### RMB-1565

<b>Continu vermogen</b>	100 Watts per kanaal
<i>(20 – 20.000 Hz. &lt; 0.03% vervorming en bij 8Ω)</i>	
<b>Totale harmonische vervorming</b>	< 0,03%
<i>(20-20.000 Hz. bij 8Ω)</i>	
<b>Intermodulatie vervorming</b> (60 Hz : 7 kHz., 4 : 1)	< 0,03%
<b>Frequentiebereik</b> (± 1dB)	10Hz – 40kHz.
<b>Dempingsfactor</b> (20-20.000 Hz. bij 8Ω)	200
<b>Luidsprekerimpedantie</b> (normal mode)	4Ω minimaal
<b>Signaal/ruisverhouding</b> (IHF, A netwerk)	105dB
<b>Ingangsgevoeligheid/Impedantie</b>	8.2kΩ/1.25V
<b>Lichtnetspanning</b>	110-240 Volts, 50–60Hz
<b>Vermogensopname</b>	250 Watts
<b>Afmetingen</b> (b x h x d)	431x99x339mm.
<b>Hoogte van het voorpaneel i.v.m. rackmontage</b>	2U
<b>Netto gewicht</b>	6kg

### RMB-1575

<b>Continu vermogen</b>	250 Watts per kanaal
<i>(20 – 20.000 Hz. &lt; 0.03% vervorming en bij 8Ω)</i>	
<b>Totale harmonische vervorming</b>	< 0,03%
<i>(20-20.000 Hz. bij 8Ω)</i>	
<b>Intermodulatie vervorming</b> (60 Hz : 7 kHz., 4 : 1)	< 0,03%
<b>Frequentiebereik</b> (± 1dB)	10Hz – 80kHz.
<b>Dempingsfactor</b> (20-20.000 Hz. bij 8Ω)	400
<b>Luidsprekerimpedantie</b> (normal mode)	4Ω minimaal
<b>Signaal/ruisverhouding</b> (IHF, A netwerk)	109dB
<b>Ingangsgevoeligheid/Impedantie</b>	8.3kΩ/1.5V
<b>Lichtnetspanning</b>	
VS	120V. 60Hz.
EU	230V. 50Hz.
<b>Vermogensopname</b>	600 Watts
<b>Afmetingen</b> (b x h x d)	431x144x406mm.
<b>Hoogte van het voorpaneel i.v.m. rackmontage</b>	3U
<b>Netto gewicht</b>	11kg

Gegevens en ontwerp zijn voorbehouden.

Rotel houdt zich het recht voorbehouden om zonder mededeling vooraf verbeteringen aan te brengen.

## Важные инструкции по безопасности

**ПРЕДОСТЕРЕЖЕНИЕ:** Внутри нет частей, доступных для обслуживания пользователю. Доверьте обслуживание квалифицированному мастеру.

**ПРЕДОСТЕРЕЖЕНИЕ:** Для снижения опасности возгорания или поражения электрическим током не подвергайте данный аппарат воздействию дождя или влаги. Не допускайте попадания посторонних предметов внутрь корпуса. Если внутрь корпуса попала влага или посторонний предмет, немедленно выньте вилку шнура питания из розетки. Доставьте аппарат к квалифицированному специалисту для осмотра и возможного ремонта.

Прежде чем подсоединять аппарат и управлять им, прочтите все инструкции. Сохраните руководство по эксплуатации для дальнейшего использования.

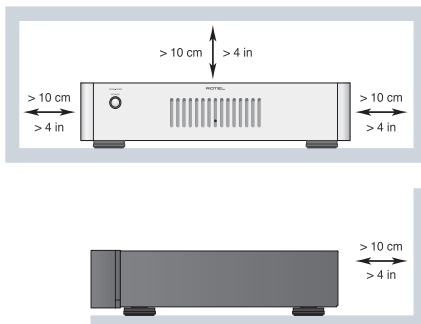
Обращайте внимание на предостережения, указанные на корпусе аппарата и в данном руководстве. Управляйте аппаратом в соответствии с инструкциями.

Производите очистку корпуса только сухой тканью или пылесосом.

Не используйте это устройство вблизи воды.

Оставьте не менее 10 см свободного пространства вокруг аппарата для обеспечения циркуляции воздуха.

Не ставьте аппарат на кровать, диван, ковер или подобную мягкую поверхность, которая может загордиться вентиляционные отверстия. Если аппарат встраивается в шкаф или другой корпус, этот корпус должен вентилироваться для обеспечения охлаждения аппарата.



Держите аппарат подальше от радиаторов отопления, обогревателей, печей и любых других устройств, выделяющих тепло.

**ПРЕДОСТЕРЕЖЕНИЕ:** Сетевой разъем на задней панели предназначен для быстрого отсоединения устройства от электрической сети. Устройство должно обеспечивать свободный доступ к задней панели, чтобы сетевой кабель можно было быстро выдернуть.

Сетевое напряжение, к которому подсоединяется аппарат, должно соответствовать требованиям, указанным на задней панели аппарата. (США: 120 В, 60 Гц, ЕС 230 В, 50 Гц)

Подсоединяйте компонент к питающей розетке только при помощи сетевого шнура из комплекта поставки, или его точного эквивалента. Не переделывайте поставляемый шнур. Поляризованный штекер имеет два ножевых контакта, один из которых шире другого. Заземляющий штекер имеет два ножевых контакта и третий заземляющий штырь. Они обеспечивают вашу безопасность. Не отказывайтесь от мер безопасности, предоставляемых заземляющим или поляризованным штекером. Если поставляемый штекер не подходит к вашей розетке, обратитесь к электрику для замены устаревшей розетки. Не используйте удлинители сетевого питания.

Основной штекер сетевого шнура является отключаемым от аппарата. Для полного отключения изделия от питающей сети, основной штекер сетевого кабеля следует отсоединять от розетки переменного тока. Светодиодный индикатор ждущего режима LED не будет гореть, показывая, что сетевой шнур отключен.

Не прокладывайте сетевой шнур там, где он может быть раздавлен, пережат, скручен, подвергнут воздействию тепла или поврежден каким-либо способом. Обращайте особое внимание на сетевой шнур вблизи штекера и там, где он входит в заднюю панель устройства.

Сетевой шнур следует отсоединять от стенной розетки во время грозы или если прибор оставлен неиспользуемым длительное время.

Используйте только принадлежности, указанные производителем.

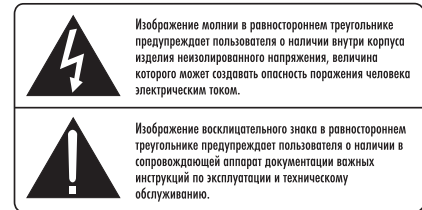
Используйте только тележку, поставку, стойку, кронштейн или полку системы, рекомендованной компанией Rotel. Будьте осторожны при перемещении прибора на подставке или стойке во избежание ранения от опрокидывания.



Используйте кабели с защитой Class 2 при подсоединении колонок к клеммам усилителя для обеспечения надежной изоляции и минимизации риска удара электричеством.

Немедленно прекратите использование компонента и передайте на обследование и/или обслуживание квалифицированной ремонтной организацией если:

- Сетевой шнур или штекер был поврежден.
- Внутри прибора уронили предметы или пролили жидкость.
- Прибор побывал под дождем.
- Прибор демонстрирует признаки ненормальной работы.
- Прибор уронили или повредили любым другим способом.



Продукты Rotel спроектированы так, чтобы соответствовать требованиям международных директив по ограничению применения вредных веществ в электротехническом и электронном оборудовании (Restriction of Hazardous Substances - RoHS), также по обращению с отслужившим свой срок электротехническим и электронным оборудованием (Waste Electrical and Electronic Equipment - WEEE). Изображение перечеркнутого мусорного бачка на колесах означает также то, что эти продукты должны быть вторично использованы (рециклированы) или же обработаны в соответствии с упомянутыми выше директивами.



Этот символ означает, что устройство имеет двойную изоляцию. Заземление не требуется.



## Содержание

Рисунок 1: Органы управления и разъемы	3
Рисунок 2: Входы для предусилителя и выходы на колонки	4
Перед подсоединением	5
<b>Важные инструкции по безопасности</b>	<b>20</b>
<b>О компании ROTEL</b>	<b>21</b>
<b>Несколько слов о мощности в Ваттах</b>	<b>21</b>
<b>Первые шаги</b>	<b>22</b>
Основные достоинства	22
Некоторые меры предосторожности	22
Размещение	22
<b>Подключение питания и управления</b>	<b>22</b>
Вход сети переменного тока <b>7</b>	22
Выключатель питания и индикатор <b>1</b>	22
Переключатель режима авто включения/выключения <b>6</b>	23
+12 В Триггерный вход и выход <b>5</b>	23
Индикатор защиты <b>2</b>	23
<b>Разъемы для входных сигналов <b>4</b></b>	<b>23</b>
<b>Акустические системы</b>	<b>23</b>
Выбор колонок	23
Выбор акустического кабеля	23
Полярность и фазировка	23
Присоединение акустических систем <b>3</b>	24
<b>Возможные неисправности</b>	<b>24</b>
Индикатор питания на передней панели не светится	24
Нет звука	24
Индикатор защиты светится	24
<b>Технические характеристики</b>	<b>25</b>

## О компании ROTEL

История нашей компании началась почти 50 лет назад. За прошедшие десятилетия мы получили сотни наград за наши продукты и сделали счастливыми сотни тысяч людей, которые относятся к своим развлечениям вполне серьезно – так же, как вы!

Компания Rotel была основана семейством, чья страсть к музыке породила стремление создавать hi-fi компоненты бескомпромиссного качества. За многие годы эта страсть ничуть не ослабла, и по сей день общая цель – выпускать продукты исключительной ценности для аудиофилов и любителей музыки, независимо от их финансовых возможностей, разделяется всеми сотрудниками Rotel.

Инженеры Rotel работают как единая команда, прослушивая и тщательно доводя каждый новый продукт до такого уровня совершенства, когда он будет удовлетворять их строгим музыкальным стандартам. Им предоставлена свобода выбора комплектующих по всему миру, чтобы сделать аппарат как можно лучше. Вероятно, вы сможете найти в наших аппаратах отборные конденсаторы из Великобритании и Германии, полупроводники из Японии и США, однако тороидальные силовые трансформаторы мы изготавливаем на собственном заводе ROTEL.

Все мы заботимся об охране окружающей среды. По мере того, как все больше электронных устройств в мире выпускается, а после окончания срока службы выбрасывается, для производителя особенно важно при конструировании продуктов сделать все возможное, чтобы они наносили минимальный ущерб земле и источникам воды.

Мы в компании Rotel, гордимся своим вкладом в общее дело. Во-первых, мы сократили содержание свинца в своей электронике, за счет использования припоя, отвечающего требованиям ROHS, во-вторых, наши новые усилители, работающие в классе D, имеют впацето более высокий к.п.д., чем предыдущие разработки, при одинаковой выходной мощности и качестве звучания. Подобные продукты практически не выделяют тепла, не растрчивают попусту энергию, хороши с точки зрения охраны окружающей среды и вдобавок лучше звучат.

Наконец, даже эту инструкцию мы отпечатали на бумаге, полученной из вторичных ресурсов.

Мы понимаем, что это маленькие шаги вперед, но они очень важны. Ведь мы продолжаем поиски новых методов и материалов для более чистых и дружелюбных к окружающей среде технологических процессов.

Все мы, сотрудники компании ROTEL, благодарим Вас за покупку этого изделия. Мы уверены, что оно доставит вам много лет удовольствия.

## Несколько слов о мощности в Ваттах

Выходная мощность усилителя RMB-1565 составляет 100 Вт на канал, при всех пяти одновременно работающих на полную мощность каналов.

Выходная мощность усилителя RMB-1575 составляет 250 Вт на канал, также при всех пяти одновременно работающих на полную мощность каналов.

Компания решила измерять выходную мощность именно таким методом потому, что по опыту Rotel, только он дает истинную оценку возможностей ресивера или усилителя.

Сравнивая данные в технических характеристиках различных продуктов, нужно иметь в виду, что выходная мощность часто измеряется совсем другим способом, так что, возможно, вы пытаетесь сравнить между собой совершенно разные вещи.

Например, выходная мощность может быть приведена только для одного работающего канала, что позволяет получить более высокий показатель максимальной мощности. В то же время блоки питания усилителей Rotel, работающих в классе D, выдают чрезвычайно стабильное напряжение и могут гарантировать, что вы получите полную паспортную мощность не только из одного, но из всех каналов.

Импеданс акустических систем показывает, каково электрическое сопротивление или нагрузка, подключаемая на выход усилителя, и обычно она равняется 8 Ом или 4 Ома. Чем ниже импеданс, тем большая мощность потребуется для колонки. В результате, акустическая система с сопротивлением 4 Ом нуждается в усилителе вдвое большей мощности, чем 8-омная АС.

Так что теоретически усилитель должен отдавать удвоенную мощность в 4-омную нагрузку – т.е. показатель 100 Вт на 8 Ом должен превратиться в 200 Вт на 4 Ом. Использование АС с более низким импедансом налагает на блок питания усилителя повышенные требования, потому что он должен извлекать из него больший ток и отдавать больше тепла.

Однако усилители Rotel спроектированы так, чтобы работать с любым импедансом колонок - от 8 Ом до 4 Ом, при всех каналах одновременно выдающих полную мощность. И так как конструкции Rotel оптимизированы для использования со всеми одновременно работающими каналами, Rotel может указывать истинную мощность для обоих каналов.

Это может оказаться чрезвычайно важно для ваших впечатлений. При просмотре кинофильмов желательно, чтобы усилитель мог выдать полную мощность во все каналы одновременно, особенно когда на экране происходит извержение вулкана!

## Первые шаги

Благодарим вас за приобретение 5-канального усилителя мощности Rotel RMB-1565 или RMB-1575. При использовании в высококачественной системе для воспроизведения музыки или домашнего кинотеатра, ваш усилитель ROTEL обеспечит годы удовольствия от прослушивания.

Rotel RMB-1565 и RMB-1575B – это 5-канальные усилители мощности со сложной и совершенной конструкцией. Их схемотехника, работающая в классе D, импульсные источники питания, отборные комплектующие премиум-класса и сбалансированная конструкция ROTEL обеспечивают им превосходное качество звучания. Способность RMB-1565/1575 отдавать большой ток позволяет им легко справляться с «трудными» нагрузками в виде колонок.

### Основные достоинства

- Пять каналов усиления.
- Выбираемые пользователем режимы авто включения/выключения: ручной или управляемый пусковым 12 В триггерным сигналом
- Схема защиты с индикатором на передней панели

### Некоторые меры предосторожности

Пожалуйста, прочитайте данное Руководство внимательно. Кроме основных наставлений по установке и эксплуатации, оно содержит информацию о различных конфигурациях системы на основе RMB-1565/1575 и общие соображения о том, как добиться от усилителя оптимального качества работы. Пожалуйста, обращайтесь к вашему авторизованному дилеру ROTEL за ответами на любые вопросы, которые могут возникнуть. Кроме того, любой сотрудник ROTEL с удовольствием примет ваши вопросы и комментарии.

Сохраните транспортную картонную коробку от RMB-1565/1575 и все вложенные упаковочные материалы для дальнейшего использования. Транспортирование или перемещение RMB-1565/1575 в любой таре и упаковке, кроме оригинальной, может привести к серьезному повреждению вашего усилителя.

Сохраните чек о покупке. Он является наилучшей регистрацией даты приобретения, которая будет востребована в случае гарантийного обслуживания, если оно когда-либо понадобится.

### Размещение

RMB-1565 и 1575 выделяют тепло при нормальной работе. Теплоотводы и вентиляционные отверстия в усилителе спроектированы для рассеивания этого тепла. Вентиляционные прорези в верхней крышке корпуса должны быть свободны. Следует оставлять не менее 10 см свободного пространства вокруг корпуса прибора, а также надлежащий воздушный поток в месте установки, чтобы предотвратить усилитель от перегрева. Кроме того, помните о весе данного усилителя, когда выбираете место для его установки. Убедитесь, что полка или стеллаж могут выдержать его вес.

## Подключение питания и управления

### Вход сети переменного тока

Усилитель поставляется с подходящим для него сетевым кабелем. Используйте только этот кабель или эквивалентный ему. Не пользуйтесь удлинителями. Можно использовать разветвитель питания высокой мощности, если он (и стенная розетка) способны выдержать ток потребления усилителя и других компонентов, включенных в разветвитель.


Усилитель RMB-1565 имеет возможность автоматической настройки на питание от сети переменного тока с напряжением от 110 В до 240 В при 50/60 Гц. Никаких настроек на параметры сети в вашей местности не требуются.

Усилитель RMB-1575 предустановлен на фабрике на стандарт сетевого напряжения в стране, где он будет приобретен (США: 120 В/60 Гц, Европа: 230 В/50 Гц). Этот стандарт указан в наклейке на задней панели.

---

**Примечание:** Если вы перевозите ваш RMB-1575 в другую страну, существует возможность сконфигурировать ваш усилитель для использования с другим сетевым напряжением. Не пытайтесь сделать это преобразование самостоятельно. Вскрытие корпуса RMB-1575 подвергает вас опасным напряжениям. Обратитесь к квалифицированному техническому специалисту или в отдел обслуживания завода ROTEL за необходимой информацией.

---

Вставьте один конец сетевого шнура в разъем  AC INPUT на задней панели усилителя. После этого вставьте другой конец сетевого кабеля с вилкой в розетку.

Примечание: Если вы уезжаете из дома на длительное время, в качестве разумной предосторожности, отключите ваш усилитель от сети.

### Выключатель питания и индикатор

Выключатель питания расположен на передней панели усилителя. Для включения усилителя (или для активации какого-либо режима автоматического включения), нажмите на выключатель. Светодиодный индикатор вокруг выключателя загорится, показывая, что усилитель включен. Чтобы выключить усилитель, нажмите на кнопку еще раз и верните ее в положение «выключено».



### Переключатель режима авто включения/выключения

Усилитель может быть включен и выключен вручную или автоматически при помощи своего 12-вольтового пускового входа. Переключатель выбора режима включения/выключения используется для выбора способа, которым будет включаться и выключаться усилитель.

- Когда переключатель находится в положении OFF, усилитель включается и выключает вручную, с помощью выключателя на передней панели. Используйте этот режим, если у вас коммутируемая розетка
- Когда переключатель находится в положении 12V TRIG, усилитель включается автоматически при появлении 12-вольтового сигнала в 3,5-мм гнезде на задней панели, обозначенном IN. Кнопка POWER SWITCH на передней панели блокирует эту функцию. Она должна находиться в положении ON, чтобы +12-вольтовый запускаящий сигнал работал. Перевод выключателя в положение OFF отключает питание усилителя вне зависимости от присутствия триггерного (пускового) сигнала.

### +12 В Триггерный вход и выход

Гнездо с маркировкой IN предназначено для присоединения кабеля с 3,5-мм штекером, несущего +12-вольтовый запускаящий сигнал, включающий и выключающий усилитель. Чтобы реализовать эту функцию, соседний движковый переключатель должен быть установлен в положение 12V TRIG (см. предыдущий раздел). Запускающий вход принимает любой управляющий сигнал (переменного или постоянного тока) в диапазоне от 3 до 30 вольт.

Гнездо с маркировкой OUT предназначено для присоединения еще одного кабеля с 3,5-мм штекером, обеспечивающего 12-вольтовый пусковой сигнал для других компонентов. Выходной 12-вольтовый сигнал появляется всякий раз, когда запускаящий сигнал +12 В приложен к гнезду IN.

### Индикатор защиты

Схемы тепловой защиты предотвращают потенциальное повреждение усилителя в случае экстремальных ситуаций или состояния отказа. В отличие от многих других усилителей, схема защиты RMB-1565 и RMB-1575 не зависит от звукового сигнала и не влияет на качество звуковоспроизведения. Вместо этого, схема защиты отслеживает температуры выходных транзисторов и отключает усилитель, если они превышают безопасные пределы.

Кроме того, усилитель снабжен защитой от превышения тока, которая срабатывает, только если импеданс нагрузки становится слишком низким. Эта защита является независимой для каждого из пяти каналов.

При возникновении отказа соответствующий канал усилителя прекращает воспроизведение и на передней панели загорается индикаторный светодиод PROTECTION LED,

Если это случится, выключите усилитель, дайте ему остыть несколько минут и попытайтесь обнаружить и исправить проблему. Для каждой пары каналов существуют свои индикаторы, которые могут помочь в определении причины неисправности. Когда вы включаете усилитель снова, схема защиты автоматически сбросится и индикатор PROTECTION LED погаснет.

В большинстве случаев, схема защиты активируется в результате неисправности, такой как короткое замыкание в акустическом кабеле или недостаточная хорошая вентиляция. В очень редких случаях, срабатывание схемы защиты может обусловить высокая реактивность или чрезвычайно низкий импеданс громкоговорителя.

## Разъемы для входных сигналов

См. Рис. 2

RMB-1565 и RMB-1575 оснащены стандартными, небалансными входными разъемами типа RCA, какие можно найти почти во всем аудио оборудовании. Имеются входы RCA для каждого из пяти каналов усилителя. Эти RCA входы принимают аудио сигналы от предусилителей или процессоров окружающего звука. Используйте межблочные кабели высокого качества для получения наилучшего звучания.

## Акустические системы

Усилители RMB-1565 и RMB-1575 имеют пять наборов колоночных клемм, по одному на каждый канал усилителя.

### Выбор колонок

Номинальное входное сопротивление колонок, присоединенных к каждому каналу RMB-1565/1575, должно быть не меньше 4 Ом.

### Выбор акустического кабеля

Используйте изолированный двухпроводной скрученный кабель для присоединения усилителя к акустическим системам. Размер и качество провода имеют заметное на слух влияние на параметры системы. Стандартный акустический кабель будет работать, но может привести к снижению громкости или ослаблению низких частот, особенно на больших расстояниях. В общем случае, более толстый кабель улучшает звучание. Для наилучших параметров, вы можете применить специальные акустические кабели высокого качества. Ваш авторизованный дилер ROTEL может помочь вам в выборе соответствующих кабелей для вашей системы.

### Полярность и фазировка

Полярность или положительная/отрицательная ориентация соединений для каждого громкоговорителя должны быть согласованы, чтобы все акустические системы были в фазе. Если полярность одного соединения по ошибке сделана обратной, звучание низких частот будет очень слабым, а стереокартина деградирует. Все акустические кабели промаркированы, чтобы вы могли отличить два проводника. Это может быть полоса или рифление на изоляции одного проводника. Кабель может иметь прозрачную изоляцию с проводниками разного цвета (медный и серебряный). Это могут быть и метки полярности, напечатанные на изоляции. Определите положительный и отрицательный проводники и согласуйте с каждым разъемом громкоговорителя и усилителя.

## Присоединение акустических систем

См. Рис. 2

**Примечание:** Ниже описывается подсоединение как к винтовым клеммам, так и к гнездам. **НИ В КОЕМ СЛУЧАЕ НЕ ИСПОЛЬЗУЙТЕ** одновременно оба способа, например, чтобы подключить несколько пар колонок.

Усилители мощности RMB-1565 и 1575 имеют по паре винтовых клемм с цветовой маркировкой для каждого канала усиления. Эти разъемы принимают зачищенный провод, наконечники типа «лопатка» или «банан» (за исключением европейских стран, где применение «бананов» запрещено).

Проложите провода от усилителя к колонкам. Оставьте для себя достаточный запас, чтобы иметь возможность перемещения компонентов с целью доступа к разъемам громкоговорителей.

Если вы применяете разъемы – «бананы», присоедините их к проводам и затем вставьте в разъемы для громкоговорителей SPEAKER CONNECTORS. Зажимные втулки разъемов громкоговорителей должны быть завинчены на всю длину (по часовой стрелке).

Если вы используете «лопатки», смонтируйте их на провода. Если вы присоединяете зачищенные кабели непосредственно к разъемам громкоговорителей, отделите проводники и снимите изоляцию с конца каждого провода. Будьте внимательны, чтобы не повредить токопроводящие жилы. Отвинтите (против часовой стрелки) зажимную втулку разъема громкоговорителя. Расположите наконечник вокруг оси втулки, или просуньте оголенный провод в отверстие в оси. Заверните втулку по часовой стрелке, чтобы надежно зафиксировать наконечник или провод.

**Примечание:** Убедитесь, что отдельные «разлохмаченные» жилы провода не касаются соседних проводов или разъемов.

## Возможные неисправности

Большинство проблем в аудио системах появляются в результате плохих или неверных соединений, или неправильных управляющих настроек. Если вы столкнулись с проблемами, изолируйте область их возникновения, проверьте настройки, определите причину неисправности и сделайте необходимые изменения. Если вы не можете добиться звука от своего усилителя, обратитесь к советам для следующих ситуаций:

### Индикатор питания на передней панели не светится

На усилитель не подается питание. Проверьте сетевые разъемы на усилителе и в розетке. Проверьте выключатель питания на передней панели. Убедитесь, что он находится в положении ON. Если используется включение 12-вольтовым запускающим сигналом, убедитесь, что запускающий сигнал присутствует в гнезде 12V TRIG IN на задней панели.

### Нет звука

Если на усилитель подается сетевое напряжение, но звук не воспроизводится, проверьте индикатор защиты PROTECTION INDICATOR на передней панели. Если он светится, переходите к следующему разделу. Если нет, проверьте все ваши входные разъемы и настройки управления для подсоединенного оборудования. Проверьте, соответствует ли подсоединение громкоговорителей и входных сигналов конфигурации вашей системы.

### Индикатор защиты светится

Индикатор защиты на передней панели светится, когда схемы защиты отключили усилитель. Обычно, это происходит, когда усилитель перегрелся, когда присоединен неисправный громкоговоритель или после периода работы на максимальной мощности. Выключите систему и подождите, чтобы усилитель остыл. Затем нажмите и отождимте кнопку включения питания на передней панели, чтобы сбросить приборы защиты. Если проблема не устранена или проявляется снова, значит, отказала ваша система или сам усилитель.



## Технические характеристики

### RMB-1565

<b>Выходная мощность непр.</b>	100 Вт/на канал
<i>(20 Гц - 20 кГц, &lt;0,03%, 8 Ом)</i>	
<b>Общие гармонические искажения THD</b>	<0,03%
<i>(20 Гц - 20 кГц, 8 Ом)</i>	
<b>Интермодуляционные искажения (60 Гц : 7 кГц, 4:1)</b>	<0,03%
<b>Диапазон частот (<math>\pm 1</math> дБ)</b>	10 Гц - 40 кГц
<b>Фактор демпфирования (20 Гц - 20 кГц, 8 Ом)</b>	200
<b>Импеданс колонок (в нормальном режиме)</b>	4 Ом, минимум
<b>Отношение сигнал/шум (A-взвешенное, IHF)</b>	105 дБ
<b>Входной импеданс / чувствительность</b>	8.2 кОм / 1,25 В
<b>Напряжение питания</b>	110 - 240 В, 50-60 Гц
<b>Потребляемая мощность</b>	250 Вт
<b>Габаритные размеры (ШХВХГ)</b>	431x99x339 мм
<b>Высота передней панели</b>	2U
<b>Вес (нетто)</b>	6 кг

### RMB-1575

<b>Выходная мощность непр.</b>	250 Вт/на канал
<i>(20 Гц - 20 кГц, &lt;0,03%, 8 Ом)</i>	
<b>Общие гармонические искажения THD</b>	<0,03%
<i>(20 Гц - 20 кГц, 8 Ом)</i>	
<b>Интермодуляционные искажения (60 Гц : 7 кГц, 4:1)</b>	<0,03%
<b>Диапазон частот (<math>\pm 1</math> дБ)</b>	10 Гц - 80 кГц
<b>Фактор демпфирования (20 Гц - 20 кГц, 8 Ом)</b>	400
<b>Импеданс колонок (в нормальном режиме)</b>	4 Ом, минимум
<b>Отношение сигнал/шум (A-взвешенное, IHF)</b>	109 дБ
<b>Входной импеданс / чувствительность</b>	8.3 кОм / 1,5 В
<b>Напряжение питания</b>	
<b>Версия для США</b>	120 В, 60 Гц
<b>Версия для Европы</b>	230 В, 50 Гц
<b>Потребляемая мощность</b>	600 Вт
<b>Габаритные размеры (ШХВХГ)</b>	431x144x406 мм
<b>Высота передней панели</b>	3U
<b>Вес (нетто)</b>	11 кг

Все характеристики являются точными на момент публикации. ROTEL оставляет за собой право вносить улучшения без уведомления.



# ROTEL®

## **The Rotel Co. Ltd.**

10-10 Shinsen-Cho  
Shibuya-Ku  
Tokyo 150-0045  
Japan

## **Rotel of America**

54 Concord Street  
North Reading, MA 01864-2699  
USA  
Phone: +1 978-664-3820  
Fax: +1 978-664-4109

## **Rotel Europe**

Dale Road  
Worthing, West Sussex BN11 2BH  
England  
Phone: + 44 (0)1903 221 761  
Fax: +44 (0)1903 221 525

## **Rotel Deutschland**

Vertrieb: B&W Group Germany GmbH  
Kleine Heide 12  
D-33790 Halle/Westf., Deutschland  
Tel.: 05201 / 87170  
Fax: 05201 / 73370  
E-Mail: [info@bwgroup.de](mailto:info@bwgroup.de)  
[www.rotel-hifi.de](http://www.rotel-hifi.de)

**[www.rotel.com](http://www.rotel.com)**

082 OMRMB1565-1575 082808  
English • Deutsch • Nederlands • Русский

## Free Manuals Download Website

<http://myh66.com>

<http://usermanuals.us>

<http://www.somanuals.com>

<http://www.4manuals.cc>

<http://www.manual-lib.com>

<http://www.404manual.com>

<http://www.luxmanual.com>

<http://aubethermostatmanual.com>

Golf course search by state

<http://golfingnear.com>

Email search by domain

<http://emailbydomain.com>

Auto manuals search

<http://auto.somanuals.com>

TV manuals search

<http://tv.somanuals.com>