

Rowenta

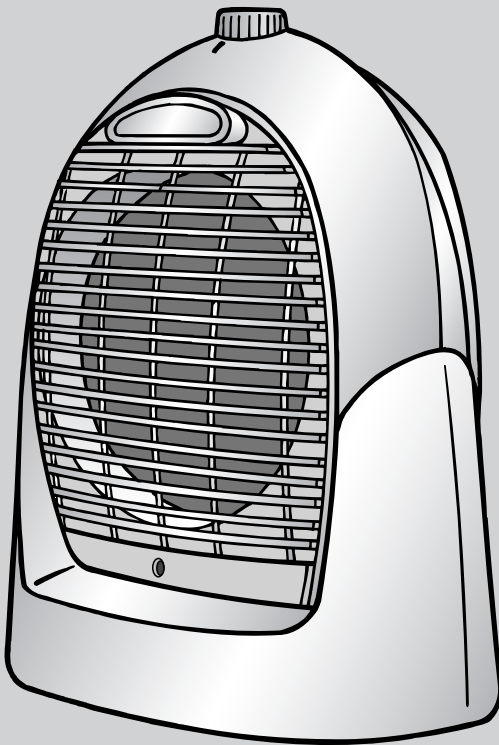
0029640 - 17/01

HA 425

HA 435

HA 475

Gebrauchsanweisung



Instructions
for use

Manuale d'uso

Instrucciones
de uso

Instruções
de utilização

Betjeningsvejledning

Brugsanvisning

Instrukcja obsługi

Návod k použití

Használati utasítás

Navodilo za
uporabo

Инструкция за
използване

Instruçiuni de
utilizare

Návod na použitie

Uputa za uporabu

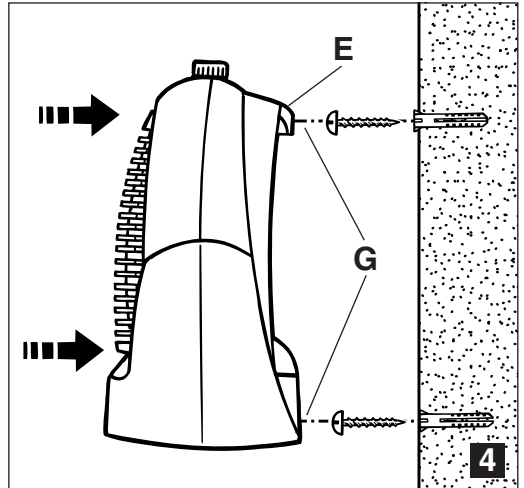
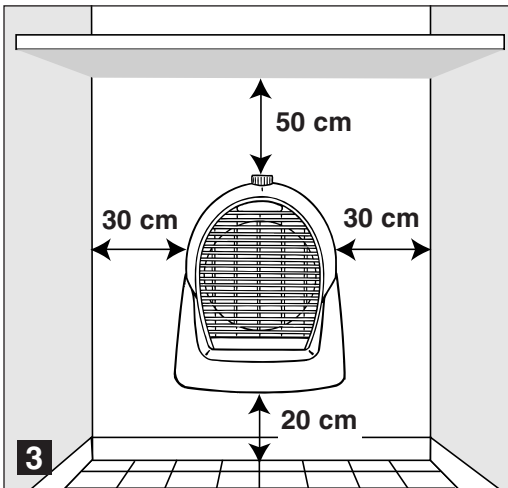
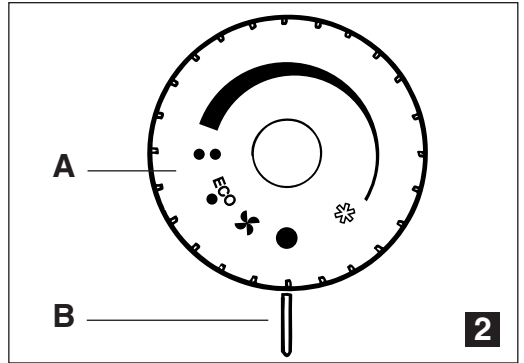
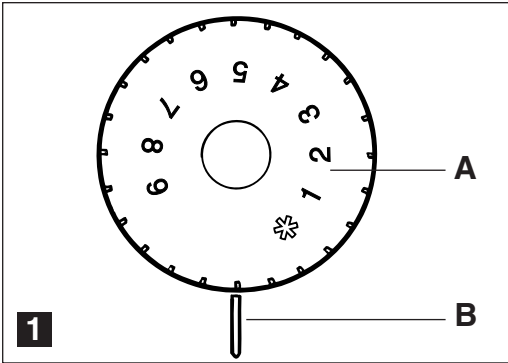
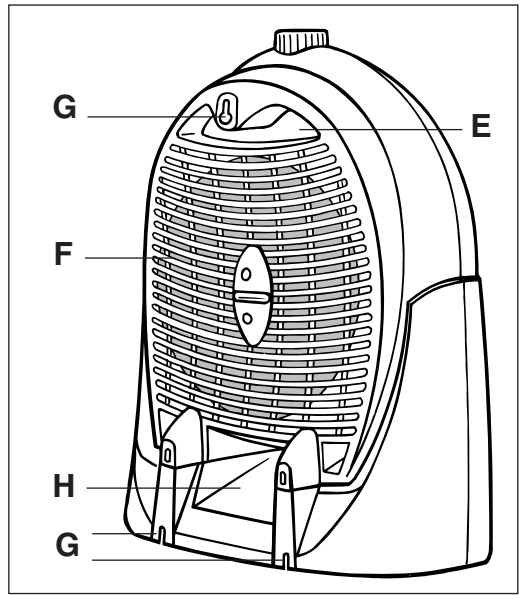
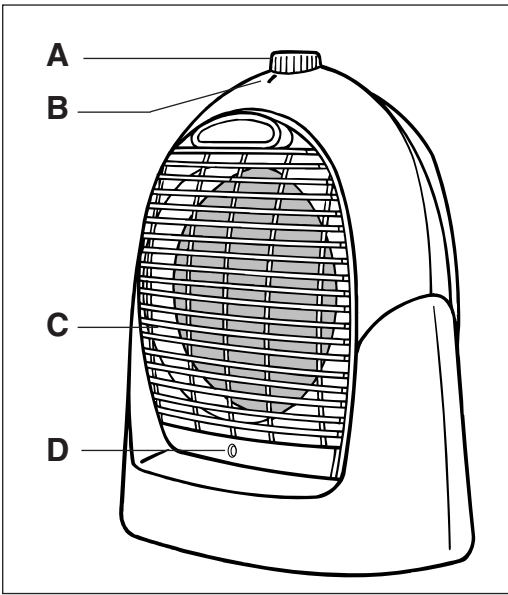
Инструкция для
пользования

經濟型電暖爐
使用說明

Kullanma talimatı

Οδηγίες χρήσεως





English

PLEASE READ CAREFULLY AND KEEP IN A SAFE PLACE

You have just purchased a fan heater, ideal for quickly heating the different rooms in your house. This highly compact appliance can be easily stored or moved around from one room to another for your comfort.

ABOUT YOUR FACTORY FITTED PLUG

The cord is already fitted with a plug incorporating an appropriate fuse. If the plug does not fit your socket outlet, see paragraph below. Should you need to replace the fuse in the plug supplied, an appropriately rated approved BS 1363 fuse must be used (refer to electrical specification for use rating).

If the plug supplied does not fit your socket outlet, it should be removed from the mains lead and disposed of safely. The flexible cord insulation should be stripped back as appropriate and a suitable alternative plug fitted.

If the plug has external access to the fuse (non-rewirable type plug) please note that the fuse cover is an important part of the plug. Please ensure that it is always refitted correctly. If you lose this cover please do not use the plug. You may contact Rowenta UK Limited for a replacement.

WIRING INSTRUCTIONS

Warning:

Important: the wires in this lead are coloured in accordance with the following codes:

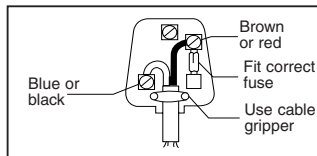
Brown - Live, Blue - Neutral.

Connect the Brown wire to the terminal in the plug marked "L" or coloured Red.

Connect the Blue wire to the terminal in the plug marked "N" or coloured Black.

A 13 amp fuse should be fitted when the appliance is connected to a BS 1363A plug.

Seek professional advice if unsure of the correct procedure for the above.



WARNINGS : It is essential that you read these instructions carefully and comply with the following recommendations.

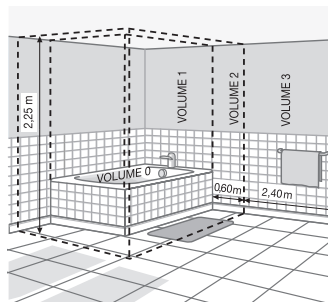
- This appliance complies with European directives 73/23/EEC and 89/336/EEC.
- Before using, always check the condition of the appliance, the power socket and the power lead.
- Do not pull the appliance using the power lead.
- Do not pull the power lead to unplug the appliance.
- Keep the appliance 30 cm away from any objects (curtains, walls, aerosols, etc.)
- Do not place the power lead near a source of heat (e.g. a hot plate) or a flame.
- Do not place the appliance immediately below a wall mounted power socket.
- Never insert objects into the appliance (e.g. needles...).
- When in use, this appliance must be kept out of the reach of young children and animals.
- Do not use your appliance in a dusty room or a room where there is a risk of fire.
- This appliance is intended for domestic use only. It must therefore not be used in industrial applications.
- The warranty will be void in the event of damage arising from improper use.
- If the power cable is damaged, it must be replaced by the manufacturer, its after-sales service or a person with similar qualifications to avoid any danger.

VERY IMPORTANT :

- **NEVER COVER THE APPLIANCE, even temporarily, as there is a danger of overheating (do not block the air inlets and outlets).**
- **NEVER USE IT TILTED OR LYING ON ITS SIDE.**
- **NEVER ALLOW WATER TO PENETRATE THE APPLIANCE.**
- **In the event of a long absence: turn the button (A) to the initial setting ● and unplug the appliance.**


1 - USE IN THE BATHROOM (protection against splashing with water)

- This "☼" unit has been specially designed so that it can be used in any room in your house, including those where there is a risk of water being splashed onto it from above (kitchen, bathroom, etc.).
- However, the electrical installation in the room, the installation of the unit and the way the unit is used must all comply with the safety standards in force in your country.



- The safety rules define three volumes in a bathroom (see diagram 5). this unit must only be installed in volume 3 of the room so that the selector button (A) cannot be touched by anyone using the bath or the shower.

2 - VOLTAGE

- Before using the appliance for the first time, ensure that your mains voltage corresponds to the voltage indicated on the appliance.
- Your appliance can be used with a power plug without an earth connection. It is a class II appliance (dual electrical insulation ).

3 - SAFETY

Heat safety

- In the event of abnormal overheating, a safety device automatically cuts out the appliance. Before re-using your appliance, you must turn it off by turning the button (A) to ● setting (*mod. HA 435 - HA 475*) then unplug the power plug (*mod. HA 425 - HA 435 - HA 475*) and wait for the temperature of the appliance to return to normal (approximately 15 min).

Protect Signal: safety beep (*mod. HA 475 only*)

- Your appliance is fitted with an exclusive audible safety system.
- If your appliance is not working properly, creating a potential risk (appliance covered, tipping over, grill clogged up, partially or completely blocked), a safety device automatically cuts it out.
- An exclusive electronic system starts up and issues a beep, to warn you that the appliance is overheating.
- To stop the beep and restart your appliance, you must:
 - turn the button (A) to the ● setting
 - unplug the power plug,
 - eliminate the cause of overheating,
 - then wait for the temperature to return to normal (approximately 15 min).
- If your appliance starts beeping again, please consult the paragraph entitled “IN THE EVENT OF PROBLEMS”, at the end of this instruction booklet.

4 - OPERATION

Starting up the appliance and choosing the operating mode:

■ Frost-free setting *

This setting enables you to automatically maintain the temperature above 0°C in a normally insulated room, whose volume corresponds to the power of your appliance.

To do this, plug in your appliance and turn button (A) so that the “*” symbol is placed opposite indicator (B).

■ Heating light.

This light (D) only comes on when your appliance is in heating mode.

Mod. HA 425

Your appliance operates at 2400 W as soon as it is plugged into the mains supply, if the thermostat is tripped.

Adjust the temperature setting, according to your own comfort, by turning button (A) (fig. 1):

- ▶ Setting 9: opposite mark (B) = warmer
- ▶ Setting 1: opposite mark (B) = cooler.

Mod. HA 435 and HA 475

Your appliance has 3 operating modes. Simply position the symbol corresponding to the chosen mode opposite mark (B) on the housing (fig. 2).

■ Cold ventilation setting: ✚

This setting enables you to use your fan heater as a fan in summer.

■ Power selection:

▶ Setting ECO: this setting provides a constant power of 1200 W (approx. 36 m³ volume heated).

▶ Setting ⚡: this setting provides a power of 2400 W (approx. 72 m³ volume heated).

It enables you to heat a room quickly and then maintain the required temperature by positioning button (A) to a setting between symbols “⚡” (max. heating) and “✚” (frost-free setting).

5 - INSTALLATION ON WALL

- Your appliance can be bolted to the wall. It must be positioned vertically, respecting the minimum distances (fig. 3 + 5).
- To bolt your appliance to the wall, use 3 appropriate screws and 3 wall-plugs.
- Start with the top hole, located above the handle (E) (fig. 4).
- Drill a hole in the wall at the required height, insert a wall-plug and a screw.
- Hang your appliance on the wall and lock it in a vertical position using the holes (G) located on the appliance stand.

6 - CLEANING

- Your appliance must be unplugged before proceeding with any cleaning work.
- You can clean it with a slightly damp cloth.
- We recommend that you clean the air inlet and outlet grills at least once a year; (clean with a vacuum cleaner if necessary).

7 - STORAGE AND TRANSPORT

- When storing your appliance you can roll the cord up and put it away in the storage compartment (H).
- It is important to allow the appliance to cool before winding the lead.
- The lead must be completely unwound again before using the appliance.
- When you are not using your appliance, store it in a dry place.

8 - IN THE EVENT OF PROBLEMS

- Never dismantle your appliance yourself. A poorly repaired appliance may be dangerous for the user.
- Before contacting one of our Approved Service Centres (see enclosed list), ensure that:
 - the appliance is set to normal operating mode;
 - the air inlet and outlet grills are totally clear.

SERVICE -SPARE PARTS. (U-K. only)

Rowenta (U.K.) Ltd has a network of Service Agents throughout the country. To telephone your nearest Rowenta Service Centre see enclosed Service Information leaflet. These Service Agents carry out in-guarantee repairs (free of charge) and out of guarantee repairs (chargeable) on behalf of Rowenta. Should service be required, or the appliance appear faulty, consult your local Rowenta Service Agent in the first instance. If a product develops a fault during the guarantee period, it is the responsibility of the consumer to supply to the Service Agent proof of the date or purchase of the appliance (eg. completed guarantee card and/or receipt showing the date of purchase).

GUARANTEE (U.K. ONLY).

Details of the Rowenta guarantee are shown on the Guarantee Card enclosed with the appliance. This guarantee does not affect your statutory rights.

Should further information be required please see the enclosed Service Information leaflet.

1 Jahr Garantie

gemäß einliegenden Bedingungen. Nur gültig mit Kassenbon.

1 year guarantee

according to enclosed conditions.

1 année de garantie

selon conditions ci-jointes.

1 jaar garantie

overeenkomstig de bijgesloten voorwaarden.

1 año de garantía

según condiciones adjuntas.

1 ano de garantia

segundo as condições anexas.

Válido somente acompanhado com a talão de caixa.

Verkaufsdatum
Date of purchase
Date de la vente
Datum van aankoop
Fecha de adquisición
Data de venda

Stempel des Fachhändlers
Stamp of your dealer
Cachet de votre magasin
Firmastempel
Sello del establecimiento
Carimbo do vendedor autorizado



Free Manuals Download Website

<http://myh66.com>

<http://usermanuals.us>

<http://www.somanuals.com>

<http://www.4manuals.cc>

<http://www.manual-lib.com>

<http://www.404manual.com>

<http://www.luxmanual.com>

<http://aubethermostatmanual.com>

Golf course search by state

<http://golfingnear.com>

Email search by domain

<http://emailbydomain.com>

Auto manuals search

<http://auto.somanuals.com>

TV manuals search

<http://tv.somanuals.com>