

Owner's Manual

RBC-1003BK

BILL COUNTER

With UV, IR and Magnetic Counterfeit Detection



Página en Español 13
Page en Français 25

*Please read and retain these instructions
To register your product, please go to
www.royalsovereign.com -customer support- registration.*

www.royalsovereign.com



BILL COUNTER

With UV, IR and Magnetic Counterfeit Detection



SAFETY INSTRUCTIONS

Warning

When using this machine follow these basic safety precautions to reduce risk of fire, electric shock or injury.

Do not place the machine in area where it may be exposed to water or other liquids.

Before cleaning the machine always unplug the machine from the wall. Do not use liquid or aerosol cleaners on the machine.

To reduce the risk of electrical shock, do not take apart the machine. When service or repair work is needed bring it to a qualified service repair technician.

Only use the power cord that comes with the machine. Using a different power cord may result in electric shock, fire or cause serious damage to machine.

Do not use the machine in areas with high temperature or high humidity. This may result in the machine not working properly.

Caution

When unplugging the power plug, grip the plug to pull it out. Pulling the cord may result in electric shock, fire or damage to the machine.

Do not use the machine if the power cord is damaged. This may result in electric shock, fire or other hazards.

Do not place objects on the power cord and do not bend it excessively. This may result in electric shock, fire or other hazards.

When not using the machine for long periods of time, unplug the power cord from the outlet.

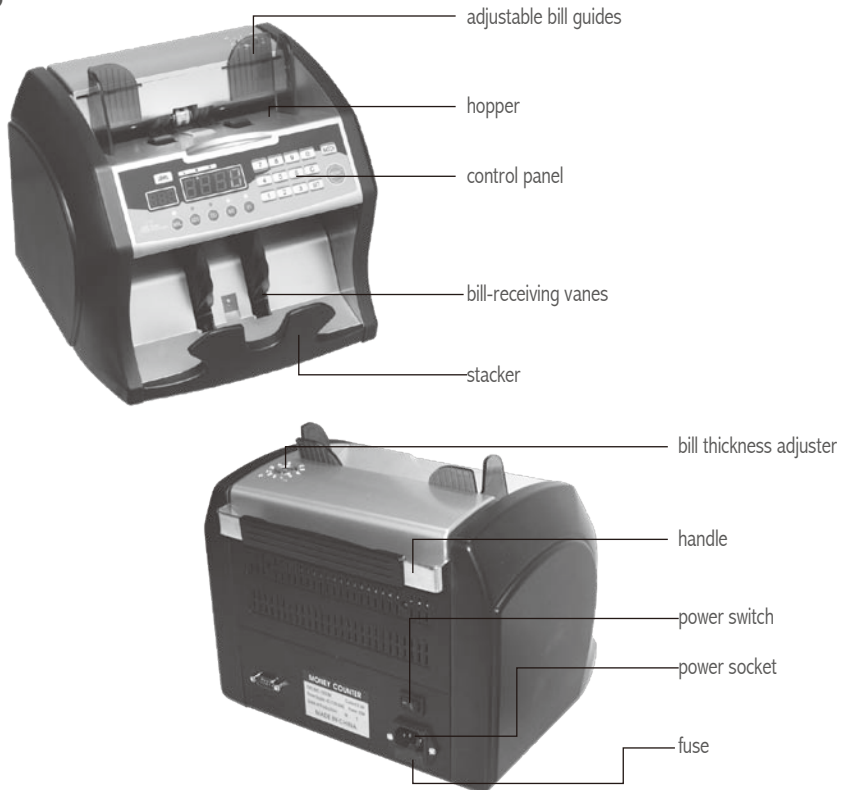
CONTENTS

Box Contents	5
Parts	5
Controls	6
Features	7
Operation	9~10
Error Code Displays	11
Specifications	11
Warranty	12
Contact Information	12
Página en Español	13
Page en Français	25

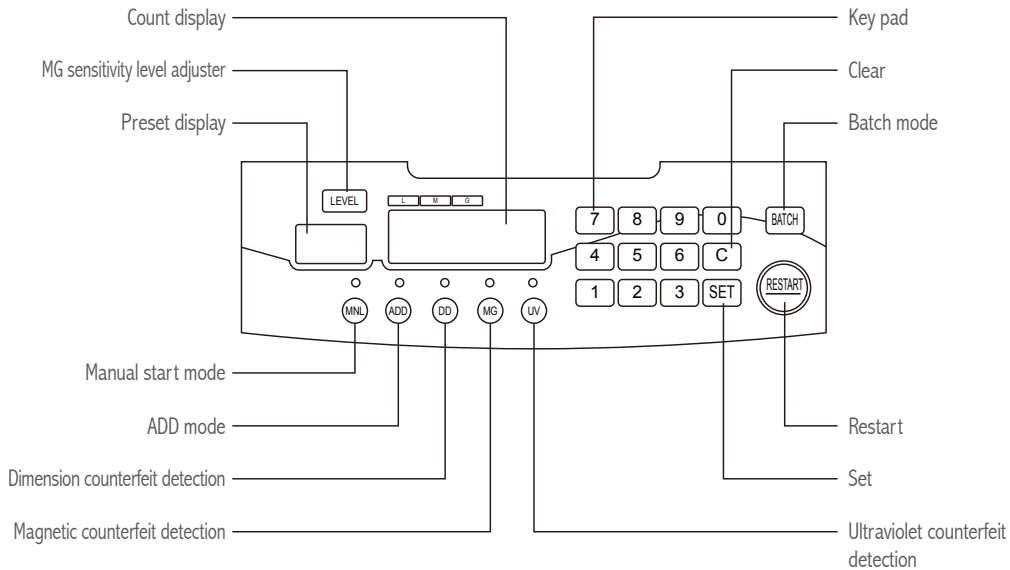
BOX CONTENTS

Bill Counter, Power Cord, Cleaning Brush

PARTS



CONTROLS



FEATURES

Front Loading

The sophisticated front loading system provides easy access to hopper, allows larger hopper capacity, and is more durable than a back loading system.

Automatic Self-Test

The machine will automatically perform a self-test when it is turned on. If there is a problem, the preset display will show an error code. (See ERROR CODE DISPLAYS.)

Auto and Manual Start Modes

The machine is preset to automatically start counting bills once placed into the hopper. To change to the manual start mode, press MNL, insert the bills into the hopper, and press RESTART.

UV Counterfeit Detection

Counterfeit bills often use white or bleached paper, which will glow under ultraviolet light. To use ultraviolet counterfeit detection, press UV. When the UV detector finds a counterfeit bill, the machine will stop counting to allow removal of the counterfeit bill and display the error code on the preset display. To resume counting, simply press RESTART.

Magnetic Counterfeit Detection

If the magnetic detector does not find the presence of magnetic components that are standard in authentic bills, the machine will stop counting to allow removal of the counterfeit bill and display the error code on the preset display. To use magnetic counterfeit detection, press MG. To adjust magnetic sensitivity level, press LEVEL for low, medium, and high. To resume counting, simply press RESTART.

Dimension Detection

The dimension detector measures the width of the center of each bill by using infrared light. If the detector finds an odd-sized bill, the machine will stop counting to allow removal of the bill and display the error code on the preset display. To use dimension counterfeit detection, press DD. The dimension (DD) counterfeit detection sensitivity level is preset on level 1 (highest level). To adjust width sensitivity level, press SET and select 1-5, 1 for highest, 5 for lowest.

To adjust width sensitivity level, press SET and select 1-5, 1 for lowest, 5 for highest.

Common and Batch Counting Modes

The machine is preset to common counting mode, which automatically counts all bills placed into the hopper. To count bills in batches, press BATCH. Batching is preset to 100 bills. To change batch amount, press C to clear, and use the keypad to enter a batch number between 1 and 999. Press SET to save the setting.

Add Mode

The ADD mode displays cumulative total of all bills counted. To turn ADD mode on, press ADD.

Memory Settings

The machine will save counterfeit detection and counting mode settings when power is turned off and on.

The machine will save counterfeit detection settings, manual, and add mode settings when power is turned off and on.

Bill Counting Mode

This machine is preset to stop counting when a counterfeit or irregular bill is detected and include these bills in the master count (shown on the count display). This preset setting is type 2, which can be accessed by pressing SET twice (preset display will show "F" and count display will show "2"). This setting is ideal for a user who does not require counterfeit detection and is sitting nearby to push RESTART as necessary.

This preset counting mode may be changed to:

1. not count counterfeit or irregular bills and stop counting to allow removal of bill(s) in question, and allow re-insertion of all bills into hopper to restart counting from zero. To set counting mode to this type, press SET twice. Preset display will show "F". Use the keypad to select "1", then press SET to save the setting. This setting is ideal for a user who requires counterfeit bills be excluded from the master count.
2. count counterfeit or irregular bills and continue counting, unless there is a jam error (either EA2, two or more bills counted as one, or EA3, part of one bill overlapping another bill), in which case the count may be inaccurate. In this case, bill(s) in question are counted, and the machine will stop to allow re-insertion of all bills into hopper to restart counting from zero. To set counting mode to this type, press SET twice. Preset display will show "F". Use the keypad to select "3", then press SET to save the setting. This setting is ideal for a user who does not require counterfeit detection and is requires fully automated, hands-free counting.

OPERATION

1. Plug in power cable and turn power switch on.

2. Select counterfeit detection mode.

To use ultraviolet (UV), magnetic (MG), and/or dimension (DD) counterfeit detection while counting, press the corresponding buttons on the control panel.

The dimension (DD) counterfeit detection sensitivity level is preset on level 1 (highest level). To adjust the sensitivity level, press SET. Preset display window will display "SE". Use the keypad to select a level from 1-5, 1-highest, 5-lowest. Press SET to store the setting.

3. Select bill counting settings.

Bill Counting Mode

The bill counting mode is preset on type 2. To adjust the counting mode, press SET twice. Preset display window will display "F". Use the keypad to select a type 1-3. Type 1 will not count counterfeit or irregular bills and stop counting to allow removal of bill(s) in question, and allow re-insertion of all bills into hopper to restart counting from zero. Type 2 will stop counting when a counterfeit or irregular bill is detected and include these bills in the master count (shown on the count display). Type 3 will count counterfeit or irregular bills and continue counting, unless there is a jam error (either EA2, two or more bills counted as one, or EA3, part of one bill overlapping another bill), in which case the count may be inaccurate. In this case, bill(s) in question are counted, and the machine will stop to allow re-insertion of all bills into hopper to restart counting from zero.

Add Mode

To continuously add totals for a cumulative total when counting several batches of bills, press ADD. The ADD indicator light will turn on.

Batching Mode

The machine is preset to common counting mode, which automatically counts all bills placed into the hopper. To count bills in batches, press BATCH. Batching is preset to 100 bills. To change batch amount, press C to clear, and use the keypad to enter a batch number between 1 and 999. Press set to save the setting.

Auto/Manual Start Modes

The machine is preset to automatically start counting bills once placed into the hopper. To change to the manual start mode, press MNL, insert the bills into the hopper, and press RESTART.

4. Test Run

Test the machine to set it to count your currency. Prepare at least five bills to test the machine. Place the bills on the hopper and run the machine. If the machine counts the bills and there are no errors, it is ready to accept your currency.

If:

1. The bills are deformed
2. The machine is considerably slow
3. Error message is lit frequently

The hopper tension is too tight. To loosen this tension, please turn the Bill Thickness Adjuster one notch to the right (+). Place the bills back into the hopper to test the machine again. If errors occur, adjust as necessary.

If:

1. The bills are flying out
2. The display shows a miscount
3. Error message is lit frequently

The hopper tension is too loose. To tighten this tension, please turn the Bill Thickness Adjuster one notch to the left (-). Place the bills back into the hopper to test the machine again. If errors occur, adjust as necessary.

When the machine is running without any errors, it is ready to accept your currency.

5. Insert bills into the hopper to begin counting.

ERROR CODE DISPLAY

When an error code appears in the preset display window and the machine stops, please refer to the following chart for an explanation.

Error code	Reason
E01	Left counting sensor
E02	Right counting sensor
E03	Left double-notes sensor
E04	Right double-notes sensor
E05	Note-receiving sensor
E06	Note-feeding sensor
E07	Width sensor
E08	UV sensor
EA0	Half sheet. Eliminate the note. Press RESTART and count continuously.
EA1	Different width or different version notes. Press RESTART and count continuously.
EA2	Double-notes. Put the notes from the stacker onto the hopper again, press RESTART to count again. If EA2 often appears, please adjust the position of the bill thickness adjuster.
EA3	Joined notes. Put the notes from the stacker onto the hopper again, press RESTART to count again.
EC4	UV Fake note or questionable note. Eliminate this note, press RESTART and count continuously.

If you are receiving error codes E01-E08 check the machine for dust. If you continue to receive error codes, please contact Royal Sovereign's Service Center at 1-800-397-1025.

SPECIFICATIONS

Model	RBC-1003BK
Power	single-phase 100~240V 50/60Hz(1±5%)
Power consumption	<50W
Surroundings temperature of usage	32~104°F / 0~40°C
Counting speed	1200pcs/min.
Note-feeding size	4.3" × 2.0" ~ 9.8" × 7.7" / 110 × 50~185 × 90(mm)
Display range	four digits counting display, three digits preset display
Cubage	10.6" × 9.8" × 7.7" / 270 × 250 × 195(mm)
Net Weight	10.1 lbs / 4.6kg

LIMITED ONE YEAR WARRANTY

This warranty applies to repair or replacement of product found to be defective in material or workmanship for one year from the date of the original purchase. This warranty is extended only to the original purchaser.

This warranty does not apply to damage resulting from abuse, misuse, or improper maintenance of damage that is attributable to acts of nature. Royal Sovereign International, Inc. (and its affiliated companies) is not liable for incidental or consequential damages of any nature. This limitation would not apply if you live in those areas that do not permit the exclusion or limitation of incidental or consequential damages.

Defective products for warranty repair or replacement cannot be returned without a Return Authorization number. Please go to www.royalsovereign.com USA-Customer Support Tab to make a request for an Office Product Return Authorization

Defective products must be returned to Royal Sovereign International Consumer Return Department, freight prepaid, with proof of purchase and Return Shipping and Handling payment (check or money order). Upon repair or replacement the product will be returned to the customer.

Return defective product to the following address with a detailed description of the problem. If possible, pack in original carton. Please prepay shipping charges.

For out of warranty service or frequently asked questions please go to www.royalsovereign.com USA- Customer Support Tab.

For sales of product, parts or accessories please visit us at www.royalfulfillmentcorp.com.

For service or sales please contact your local Royal Sovereign Office:

ROYAL SOVEREIGN INTERNATIONAL, INC.

2 Volvo Drive Rockleigh, NJ 07647 USA

TEL : +1) 800-397-1025 FAX : +1) 201-750-1022

RS CANADA INC.

164 Oakdale Road, Toronto, Ontario M3N 2S5 CANADA

TEL : +1) 416-741-8400 FAX : +1) 416-741-8185

www.royalsovereign.com

Español

Manual del Propietario

RBC-1003BK

CONTADOR DE BILLETES

Con Detección UV, IR y Magnética Falsificaciones



Página en Español 13
Page en Français 25

*Por favor lea y conserve estas instrucciones.
Para registrar su producto, por favor visite el área de
-customer support- (Soporte a clientes) en el sitio web www.royalsovereign.com*

www.royalsovereign.com

CONTADOR DE BILLETES

Con Detección UV, IR y Magnética Falsificaciones

INSTRUCCIONES DE SEGURIDAD

Advertencia

Cuando utilice este equipo siga estas precauciones básicas de seguridad para reducir el riesgo de incendio, descargas eléctricas o lesiones.

No coloque el equipo en áreas donde pueda estar expuesto a agua u otros líquidos.

Siempre desconecte el equipo del contacto eléctrico antes de limpiarlo. Para la limpieza del equipo no utilice limpiadores líquidos o en aerosol.

Para minimizar el riesgo de descargas eléctricas, no desensamble el equipo. Llame a un técnico calificado de servicio y reparación cuando se requiera dar servicio o efectuar reparaciones al equipo.

Utilice únicamente el cable de suministro de energía que viene con el equipo. El uso de un cable de suministro de energía diferente puede traer como consecuencia una descarga eléctrica, incendios o causarle un daño severo al equipo.

No utilice el equipo en lugares con altas temperaturas o excesiva humedad. Estas condiciones pueden ocasionar que el equipo tenga un mal funcionamiento.

Precaución

Cuando se desconecte el conector de energía, sujete el conector para separarlo del contacto. El jalar el cordón puede traer como consecuencia una descarga eléctrica, incendio o causarle un daño al equipo.

No utilice el equipo si el cable de alimentación de energía presenta algún daño. Este daño puede causar descargas eléctricas, incendios u otros riesgos.

No coloque objetos sobre el cable de alimentación de energía ni lo doble excesivamente. Esto puede causar descargas eléctricas, incendios u otros riesgos.

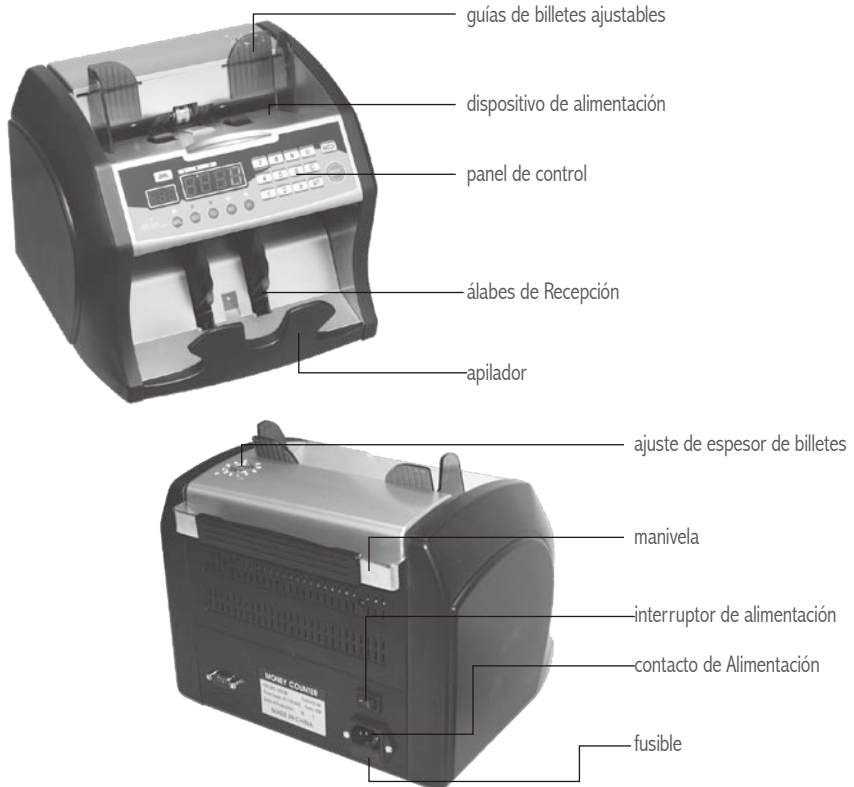
CONTENIDO

Contenido de la Caja	17
Partes	17
Controles	18
Características	19
Operación	21~22
Despliegue de Códigos de Error	23
Especificaciones	23
Garantía	24
Información de Contactos	24
Página en Español	13
Page en Français	25

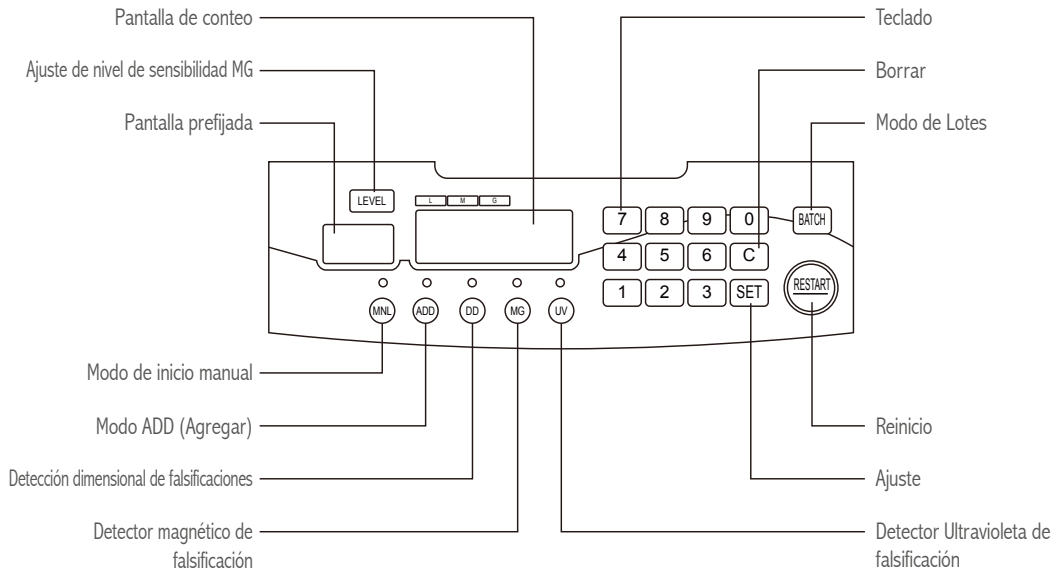
CONTENIDO DE LA CAJA

Contador de Billetes, Cable de Alimentación, Cepillo de Limpieza

PARTES



CONTROLES



CARACTERÍSTICAS

Carga Frontal

El sofisticado sistema de carga frontal proporciona un fácil acceso al dispositivo de alimentación, permite una mayor capacidad del mismo, y ofrece más durabilidad que un sistema de carga posterior.

Auto Verificación Automática

Al encenderse, la máquina realizará una auto verificación automática. Si hay problemas, la pantalla prefijada mostrará un código de error. (Consulte la sección CÓDIGOS DE ERROR EN LA PANTALLA).

Modo de Inicio Automático y Manual

La máquina está configurada para comenzar a contar billetes automáticamente cuando se colocan en el dispositivo de alimentación. Para cambiar al modo de inicio manual, oprima MNL, coloque los billetes en el dispositivo de alimentación y oprima RESTART (Reiniciar).

Detector de Falsificación con Rayos Ultravioleta

Los billetes falsificados con frecuencia son fabricados con papel blanco o blanqueado, el cual resplandece bajo la luz ultravioleta. Para utilizar el detector de falsificaciones de rayos ultravioleta, oprima UV. Cuando el detector encuentra un billete falso, la máquina deja de contar para permitir retirar el billete falso y mostrar el código de error en la pantalla prefijada. Para continuar el conteo, simplemente oprima RESTART (Reiniciar).

Detector Magnético de Falsificación

Si el detector magnético no encuentra la presencia de los componentes magnéticos estándar en los billetes auténticos, la máquina dejará de contar para permitir retirar el billete falso y mostrará el código de error en la pantalla prefijada. Para utilizar el detector magnético de falsificación, oprima MG. Para ajustar el nivel de sensibilidad magnético, oprima LEVEL (Nivel) para alternar entre bajo, medio y alto. Para continuar el conteo, simplemente oprima RESTART (Reiniciar).

Detección de las Dimensiones

El detector dimensional mide el ancho de la parte central de todos los billetes con ayuda de luz infrarroja. Cuando el detector encuentra un billete de tamaño irregular, la máquina deja de contar para permitir retirar el billete falso y muestra código de error en la pantalla prefijada. Para utilizar el detector dimensional de falsificaciones, oprima DD. El nivel de sensibilidad de detección dimensional de falsificaciones está ajustado al nivel 1 (el nivel máximo) Para ajustar el nivel de sensibilidad, oprima SET (Ajuste) y elija entre 1 y 5, donde 1 es el nivel máximo y 5 el mínimo. Para ajustar el nivel de sensibilidad del ancho, oprima SET (Ajustar) y elija entre 1 y 5, donde 1 es el máximo y 5 el mínimo.

Modo de conteo Común y por Lotes

La máquina está configurada en modo de conteo común, en el cual la máquina cuenta automáticamente todos los billetes que se colocan en el dispositivo de alimentación. Para contar los billetes en lotes, oprima BATCH (Lote). Los lotes están prefijados en 100 billetes. Para cambiar la cantidad del lote, oprima C para borrar, y utilice el teclado para ingresar un tamaño de lote entre 1 y 999. Presione SET (Ajuste) para guardar el ajuste del tamaño del lote.

Modo Add (Agregar)

El modo ADD (Agregar) muestra el total acumulado de los billetes que se han contado. Para activar el modo ADD (Agregar), oprima ADD.

Configuraciones de Memoria

La máquina guarda las configuraciones de detección y de modo de conteo al desconectar y conectar la energía.

La máquina guarda las configuraciones de detección de falsificación, manual, y modo de agregar al desconectar y conectar la energía.

Modo de conteo de Billetes

Esta máquina ha sido ajustada para suspender el conteo cuando se detecta un billete falso o irregular e incluir estos billetes en el contador maestro (desplegado en la pantalla de conteo). Este ajuste está prefijado en el Tipo 2, el cual puede ser accedido oprimiendo SET (Ajuste) dos veces (La pantalla de prefijado desplegará "F" y la pantalla de conteo mostrará "2"). Este ajuste es ideal para usuarios que no requieren la detección de falsificación y cuya ubicación cercana al equipo les permite oprimir la tecla RESTART (reiniciar) según sea necesario.

El modo de conteo prefijado puede ser cambiado a:

1. Omisión del conteo de billetes irregulares o falsos y el paro del conteo para permitir el retiro de tales billetes y permitir la reinsertión de todos los billetes en el dispositivo de alimentación para reiniciar el conteo a partir de cero. Para ajustar el modo de conteo en esta modalidad, oprima SET (Ajuste) dos veces. La pantalla de prefijado mostrará "F". Utilice el teclado para seleccionar "1" y después presione SET (Ajuste) para salvar el valor de este ajuste. Este ajuste es ideal para un usuario que quiere excluir los billetes falsos del conteo maestro.
2. Conteo de billetes irregulares o falsos y continuidad del conteo, a menos que se presente un error por atasco (ya sea EA2, dos o más billetes contados como uno solo, o EA3, parte de un billete empalmado con otro), en cuyo caso el conteo puede ser impreciso. En tal caso, los billetes en cuestión son contados, y la máquina se detiene para permitir la re inserción de billetes en el dispositivo de alimentación para reiniciar el conteo a partir de cero. Para ajustar el modo de conteo en esta modalidad, oprima SET (Ajuste) dos veces. La pantalla de prefijado mostrará "F". Utilice el teclado para seleccionar "3" y después presione SET (Ajuste) para salvar el valor de este ajuste. Este ajuste es ideal para usuarios que no requieren la detección de falsificación y necesitan un conteo completamente automatizado, "sin manos".

OPERACIÓN

1. Conecte el cable de energía y encienda el interruptor de energía.
2. Seleccione el modo de detección de falsificaciones.
Para utilizar la detección de falsificaciones ultravioleta (UV), magnética (MG), y/o dimensional (DD) mientras cuenta, oprima los botones correspondientes en el panel de control.
El nivel de sensibilidad de detección dimensional de falsificación está prefijado en el nivel 1 (el nivel máximo). Para ajustar el nivel de sensibilidad, oprima SET (Ajuste). La ventana de la pantalla de prefijado mostrará "SE". Utilice el teclado para seleccionar un nivel del 1 al 5, siendo 1 el máximo y 5 el mínimo. Oprima SET (Ajuste) para salvar el nivel del ajuste.

3. Selección de ajustes de conteo de billetes.

Modo de Conteo de Billetes

El modo de conteo de billetes está prefijado en el tipo 2. Para ajustar el modo de conteo, oprima SET (Ajustar) dos veces. La ventana de la pantalla de prefijado mostrará "F". Utilice el teclado para seleccionar entre los tipos 1 al 3. El tipo 1 no realiza el conteo de billetes irregulares o falsos, detiene el conteo para permitir el retiro de tales billetes y permite la re inserción de los billetes en el dispositivo de alimentación para reiniciar el conteo a partir de cero. El ajuste tipo 2 suspende el conteo cuando se detecta un billete falso o irregular e incluye estos billetes en el contador maestro (desplegado en la pantalla de conteo). El ajuste tipo 3 realiza el conteo de billetes irregulares o falsos y continúa el conteo, a menos que se presente un error por atasco (ya sea EA2, dos o más billetes contados como uno solo, o EA3, parte de un billete empalmado con otro), en cuyo caso el conteo puede ser impreciso. En tal caso, los billetes en cuestión son contados, y la máquina se detiene para permitir la re inserción de billetes en el dispositivo de alimentación para reiniciar el conteo a partir de cero.

Modo de Agregar

Para agregar continuamente totales para obtener un total acumulado al contar varios lotes de billetes, oprima ADD (Agregar). La luz indicadora ADD se encenderá.

Modo de Lotes

La máquina está configurada en modo de conteo común, en el cual la máquina cuenta automáticamente todos los billetes que se colocan en el dispositivo de alimentación. Para contar los billetes en lotes, oprima BATCH (Lote). Los lotes están prefijados en 100 billetes. Para cambiar la cantidad del lote, oprima C para borrar y utilice el teclado para ingresar un tamaño de lote entre 1 y 999. Presione SET (Ajuste) para salvar el ajuste del tamaño del lote.

Modos de Inicio Auto/Manual

La máquina está configurada para comenzar a contar billetes automáticamente cuando se les coloca en el dispositivo de alimentación. Para cambiar al modo de inicio manual, oprima MNL, coloque los billetes en el dispositivo de alimentación y oprima RESTART (Reiniciar).

4. Prueba de Funcionamiento

Pruebe el equipo para realizar los ajustes necesarios para contar los billetes. Utilice al menos cinco billetes para probar el equipo. Coloque los billetes en el dispositivo de alimentación y ponga en funcionamiento el equipo. Si el equipo cuenta los billetes y no se presentan errores, el equipo está listo para contar sus billetes.

Sí:

1. Los billetes están deformados
2. El equipo opera con lentitud
3. El mensaje de error se enciende frecuentemente

La tensión del dispositivo de alimentación es demasiado elevada (apretada). Para disminuir la tensión, por favor gire el Ajuste de Espesor de Billetes una muesca hacia la derecha (+). Coloque los billetes otra vez en el dispositivo de alimentación y pruebe el equipo una vez más. Si el error se presenta, ajuste según se requiera.

Sí:

1. Los billetes salen volando
2. La pantalla muestra un conteo erróneo
3. El mensaje de error se enciende frecuentemente

La tensión del dispositivo de alimentación es demasiado baja (suelta). Para incrementar la tensión, por favor gire el Ajuste de Espesor de Billetes una muesca hacia la izquierda (-). Coloque los billetes otra vez en el dispositivo de alimentación y pruebe el equipo una vez más. Si el error se presenta, ajuste según se requiera.

Cuando el equipo funcione sin errores, está listo para contra sus billetes.

5. Inserte los billetes en el dispositivo de alimentación.

DESPLIEGUE DE CÓDIGOS DE ERROR

Cuando un código de error aparece en la ventana de pantalla prefijada y la máquina se detiene, por favor consulte la siguiente tabla para su interpretación.

Códigos de error	Interpretación
E01	Sensor de conteo izquierdo
E02	Sensor de conteo derecho
E03	Sensor de doble billete izquierdo
E04	Sensor de doble billete derecho
E05	Sensor de recepción de billete
E06	Sensor de alimentación de billete
E07	Sensor de anchura
E08	Sensor ultravioleta
EA0	Media hoja. Descartar el billete. Oprima RESTART (reinicio) y continúe contando.
EA1	Anchos diferentes o versiones diferentes del billete. Oprima RESTART (reinicio) y continúe contando.
EA2	Billete duplicado. Tome los billetes del apilador y colóquelos en el dispositivo de alimentación otra vez, oprima RESTART (reinicio) para contar otra vez. Si el código EA2 aparece con frecuencia, por favor ajuste la posición del ajustador de espesor del billete.
EA3	Billetes unidos. Tome los billetes del apilador y colóquelos en el dispositivo de alimentación otra vez, oprima RESTART (reinicio) para contar otra vez.
EC4	Billete falso detectado por luz ultravioleta o billete dudoso. Descarte el billete, oprima RESTART (reinicio) y continúe contando.

Si se presentan los códigos de error E01 a E08, verifique que no haya polvo en la máquina. Si los códigos de error continúan apareciendo, póngase en contacto con el Centro de Servicio de Royal Sovereign al 1-800-397-1025.

ESPECIFICACIONES

Modelo	RBC-1003BK
Suministro de Energía	single-phase 100~240V 50/60Hz(± 5%)
Consumo de Energía	<50W
Temperatura del entorno durante la operación	32~104°F / 0~40°C
Velocidad de conteo	1200 pcs/min.
Tamaño de alimentación de billetes	4.3" × 2.0" ~ 9.8" × 7.7" / 110 × 50~185 × 90(mm)
Rango de pantalla de despliegue	Pantalla de cuatro dígitos de conteo, pantalla prefijada de tres dígitos
Volumen de compactación	10.6" × 9.8" × 7.7" / 270 × 250 × 195(mm)
Peso Neto	10.1 lbs / 4.6kg

GARANTÍA LIMITADA DE UN AÑO

Esta garantía se aplica a la reparación o al reemplazo de productos defectuosos en material o mano de obra durante un año a partir de la fecha de la compra original. Esta garantía sólo se extiende al comprador original.

Esta garantía no se aplica a daños que resulten del abuso, uso indebido, mantenimiento inadecuado o daños fortuitos. Royal Sovereign Internacional, Inc. (y sus empresas afiliadas) no es responsable de los daños incidentales o indirectos de ninguna naturaleza. Esta limitación no se aplica si usted vive en aquellas áreas donde no se permite la exclusión o limitación de daños incidentales o indirectos.

Los productos defectuosos que requieran reparación o reemplazo no pueden ser devueltos sin un Número de Autorización de Devolución. Por favor visite el sitio www.royalsovereign.com en la pestaña "USA-Customer Support" para solicitar una autorización de devolución de productos de oficina.

Los productos defectuosos deben enviarse al Departamento de Devoluciones de Cliente de Royal Sovereign Internacional, pagando el flete con antelación, junto con una prueba de la compra y pago gastos de gastos de envío (cheque o giro bancario). Luego de reparar o reemplazar el producto, éste será devuelto al cliente.

Envíe el producto defectuoso a la siguiente dirección con una descripción detallada del problema. De ser posible, embálelo en la caja de cartón original. Se ruega realizar el pago anticipado de los gastos de envío.

Para solicitar servicio fuera de la garantía o consultar las preguntas más frecuentes por favor visite www.royalsovereign.com y seleccione la pestaña "USA- Customer Support".

Para realizar consultas sobre la venta de productos, partes o accesorios, por favor visite el sitio www.royalfulfillmentcorp.com.

Para obtener servicio o ventas comuníquese con la oficina de Royal Sovereign de su localidad:

ROYAL SOVEREIGN INTERNATIONAL, INC.

2 Volvo Drive Rockleigh, NJ 07647 USA
TEL : +1) 800-397-1025 FAX : +1) 201-750-1022

RS CANADA INC.

164 Oakdale Road, Toronto, Ontario M3N 2S5 CANADA
TEL : +1) 416-741-8400 FAX : +1) 416-741-8185

www.royalsovereign.com

Français

Manuel d'utilisateur

RBC-1003BK

COMPTEUR DE BILLETS

Avec Détection de Faux Billets par Lecture
des Zones UV, IR et Magnétiques



Página en Español 13
Page en Français 25

*Veillez lire et garder ces instructions.
Pour enregistrer votre produit, veuillez vous rendre à
www.royalsovereign.com – customer support (support clientèle) -
registration (enregistrement).*

www.royalsovereign.com

COMPTEUR DE BILLETS

Avec Détection de Faux Billets par Lecture des Zones UV, IR et Magnétiques

CONSIGNES DE SÉCURITÉ

Avertissement:

Lorsque vous utilisez cet appareil, prenez les précautions de sécurité de base suivantes afin de réduire les risques d'incendie, d'électrocution ou de blessure.

Évitez de placer l'appareil dans un endroit où il serait exposé à de l'eau ou à d'autres liquides.

Avant de nettoyer l'appareil, débranchez-le toujours de la prise murale. N'utilisez pas de nettoyeurs liquides ou en aérosol sur l'appareil.

Pour réduire les risques d'électrocution, évitez de démonter l'appareil. S'il a besoin de maintenance ou de réparation, apportez-le chez un technicien qualifié.

N'utilisez que le cordon d'alimentation qui est fourni avec l'appareil. L'utilisation d'un autre cordon peut entraîner des décharges électriques, un incendie ou causer de sérieux dommages à l'appareil.

Évitez d'utiliser l'appareil dans des lieux soumis à des températures élevées ou très humides, car cela peut nuire au bon fonctionnement.

Attention :

Pour débrancher le cordon d'alimentation, saisissez-le au niveau de la prise, car si vous tirez sur le cordon, vous pouvez vous électrocuter, causer un incendie ou endommager l'appareil.

N'utilisez pas l'appareil si le cordon est endommagé, car cela peut causer une électrocution, un incendie ou comporter d'autres risques.

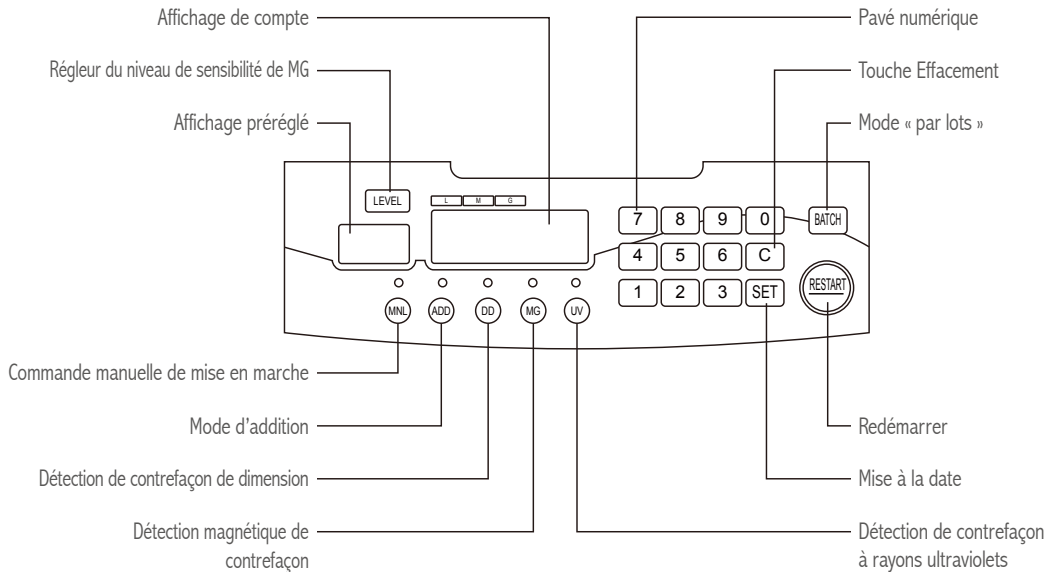
Évitez de placer des objets sur le cordon d'alimentation ou de le plier à l'excès, car cela peut causer une électrocution, un incendie ou comporter d'autres risques.

Si l'appareil doit rester inactif pendant de longues périodes, débranchez-le de la prise.

TABLE DES MATIÈRES

Contenu de la boîte	29
Pièces	29
Contrôles	30
Caractéristiques	31
Fonctionnement	33~34
Affichages de codes d'erreurs	35
Caractéristiques techniques	35
Garantie	36
Information de contact	36
Página en Español	13
Page en Français	25

CONTRÔLES



CARACTÉRISTIQUES

Chargement Frontal

Le système sophistiqué de chargement frontal offre un accès facile à la trémie, ce qui permet d'utiliser une trémie de plus grande capacité. Ce système est également plus robuste qu'un système à chargement par l'arrière.

Test de Fonctionnement Automatique

La machine teste automatiquement ses fonctions lors de la mise en marche. S'il existe un problème, l'affichage de pré-réglage montre un code d'erreur. (Voir AFFICHAGE DE CODES D'ERREUR.)

Modes de Démarrage Manuels et Automatiques

L'appareil est configuré pour commencer à compter automatiquement les billets placés dans la trémie. Pour changer au mode de démarrage manuel, appuyer sur MNL, introduire les billets dans la trémie et appuyer sur REDÉMARRER (RESTART).

Détection des Contrefaçons

Les faux billets utilisent souvent du papier blanc ou blanchi, qui brille sous la lumière ultra-violette. Pour utiliser la fonction de détection à ultraviolets, appuyer sur UV. Quand le détecteur UV trouve un faux billet, la machine arrête de compter pour permettre le retrait du faux billet et affiche le code erreur sur l'affichage du pré-réglage. Pour relancer le compte, appuyer sur REDÉMARRER (RESTART).

Détection Magnétique des Contrefaçons

Si le détecteur magnétique n'identifie pas la présence des composants magnétiques qui caractérisent les billets authentiques, la machine arrête de compter pour permettre le retrait des faux billets et affiche le code erreur sur l'affichage du pré-réglage. Pour utiliser la fonction de détection magnétique, appuyer sur MG. Vous pouvez ajuster la sensibilité magnétique en appuyant sur NIVEAU (LEVEL) et en choisissant entre bas, moyen et élevé. Pour relancer le compte, appuyer sur REDÉMARRER (RESTART).

Détecteur de Dimensions

Le détecteur de dimensions mesure la largeur du centre de chaque billet avec un capteur à infrarouge. Quand le détecteur de dimensions trouve un billet aux dimensions fausses, la machine arrête de compter pour permettre le retrait du faux billet et affiche le code erreur sur l'affichage du pré-réglage. Pour utiliser la fonction de détection de dimensions, appuyer sur DD. Pour ajuster le niveau de sensibilité de la largeur, appuyez sur RÉGLER (SET) et choisissez un nombre de 1 à 5, 1 pour le plus haut niveau et 5 pour le plus bas.

Modes de Comptage Simple et Par Lots

La machine est pré-réglée au mode de comptage simple, qui compte automatiquement tous les billets placés dans la trémie.

Pour compter des billets par lots, appuyer sur LOT. Le traitement par lots est pré réglé à 100 billets. Pour changer la quantité de lots, appuyer sur C pour effacer, et utiliser le pavé numérique pour introduire un numéro de lot entre 1 et 999. Appuyer sur RÉGLER pour sauvegarder la configuration.

Mode D'addition

Le mode d'addition affiche le total cumulatif de tous les billets comptés. Pour démarrer le mode d'addition, appuyer sur ADDITION

Configurations de Mémoire

La machine sauvegardera la détection de contrefaçon et les configurations de mode de comptage quand le courant est coupé puis rétabli.

La machine sauvegardera les réglages de détection de contrefaçon, manuels et les configurations du mode d'addition quand le courant est coupé puis rétabli.

Mode de Comptage de Billets

Cette machine est pré réglée pour cesser de compter quand un billet irrégulier ou contrefait est détecté et pour inclure ces billets dans le compte principal (montré sur l'affichage de compte). Cette configuration pré réglée est de type 2, qui peuvent être consultés en appuyant sur RÉGLER deux fois (l'affichage de pré réglage montrera un « F » et l'affichage de compte montrera un « 2 »). Cette configuration est idéale pour un utilisateur qui n'a pas besoin de la détection de contrefaçon et qui est assis tout près pour presser REDÉMARRER au besoin.

Ce mode de comptage pré réglé peut être changé en :

1. Ne pas compter les billets irréguliers ou contrefaits et arrêter le comptage pour permettre la dépose des billets en question, et permettre la réinsertion de tous les billets dans la trémie pour redémarrer le comptage à zéro. Pour régler le mode de comptage à ce type, appuyer sur RÉGLER deux fois. L'affichage pré réglé montrera un « F ». Utiliser le pavé numérique pour sélectionner « 1 », puis appuyer sur RÉGLER pour sauvegarder la configuration. Cette configuration est idéale pour un utilisateur qui exige que les billets contrefaits soient exclu du compte principal.
2. Compter les billets irréguliers ou contrefaits et continue à compter, à moins qu'il y ait une erreur de bourrage (soit EA2, deux billets ou plus comptés comme un seul billet, ou EA3, une partie d'un billet se superposant à un autre billet) dans ce cas le compte peut être erroné. Dans ce cas-ci, les billets en question sont comptés, et la machine s'arrêtera pour permettre la réinsertion de tous les billets dans la trémie pour redémarrer le compte à zéro. Pour régler le mode de comptage à ce type, appuyer sur RÉGLER deux fois. L'affichage pré réglé montrera un « F ». Utiliser le pavé numérique pour sélectionner « 3 », puis appuyer sur RÉGLER pour sauvegarder la configuration. Cette configuration est idéale pour un utilisateur qui n'a pas besoin de la détection de contrefaçon et exige un comptage entièrement automatisé et mains libres.

FUNCTIONNEMENT

1. Brancher le cordon d'alimentation et allumer l'interrupteur.

2. Sélectionner le mode de détection de contrefaçon.

Pour utiliser la détection de contrefaçon à rayons ultraviolets (UV), magnétique et/ou de dimension lors du comptage, appuyer sur les boutons correspondants sur le pavé numérique.

Le niveau de sensibilité de détection de contrefaçon de dimension (DD) est préréglé sur niveau 1 (le plus haut niveau). Pour régler le niveau de sensibilité, appuyer sur RÉGLER. L'écran d'affichage de préréglage affichera « SE ». Utiliser le pavé numérique pour sélectionner un niveau à partir de 1-5, 1 étant le plus haut, 5 le plus bas. Appuyer sur RÉGLER pour enregistrer la configuration.

3. Sélectionner les configurations de comptage de billets.

Mode de comptage de billets

Le mode de comptage de billets est préréglé sur type 2. Pour régler le mode de compte, appuyer RÉGLER deux fois. L'écran d'affichage de préréglage affichera « F ». Utiliser le pavé numérique pour sélectionner un type de 1 - 3. Le type 1 ne comptera pas les billets irréguliers ou contrefaits et arrêtera le comptage pour permettre la dépose des billets en question, et permettre la réinsertion de tous les billets dans la trémie pour redémarrer le comptage à zéro. Type - 2 cessera de compter quand un billet irrégulier ou contrefait est détecté et inclura ces billets dans le compte principal (montré sur l'affichage de compte). Le type 3 comptera les billets irréguliers ou contrefaits et continuera à compter, à moins qu'il y ait une erreur de bourrage (soit EA2, deux billets ou plus comptés comme un seul billet, ou EA3, une partie d'un billet se superposant à un autre billet) dans ce cas le compte peut être erroné. Dans ce cas-ci, les billets en question sont comptés, et la machine s'arrêtera pour permettre la réinsertion de tous les billets dans la trémie pour redémarrer le compte à zéro.

Mode d'addition

Pour ajouter continuellement des totaux pour un total cumulatif en comptant plusieurs lots de billets, appuyer ADDITION. Le voyant lumineux d'ADDITION s'illuminera.

Mode par lots

La machine est préréglée au mode de comptage simple, qui compte automatiquement tous les billets placés dans la trémie. Pour compter des billets par lots, appuyer sur LOT. Le traitement par lots est préréglé à 100 billets. Pour changer la quantité de lots, appuyer sur C pour effacer, et utiliser le pavé numérique pour introduire un numéro de lot entre 1 et 999. Appuyer sur RÉGLER pour sauvegarder la configuration.

Modes de démarrage manuel/automatique

La machine est préréglée pour commencer automatiquement à compter les billets une fois qu'ils sont placés dans la trémie. Pour changer en mode manuel de démarrage, appuyer MNL, insérer les billets dans la trémie, et appuyer REDÉMARRER.

4. Essai de fonctionnement

Effectuez un essai de l'appareil pour le régler de manière à compter votre papier-monnaie. Préparez au moins cinq billets pour effectuer un essai de l'appareil. Placez les billets sur la trieuse et faites fonctionner l'appareil. Si l'appareil compte les billets et s'il n'y a pas d'erreur, il est prêt à accepter votre papier-monnaie.

Si :

1. Les billets sont déformés
2. L'appareil est extrêmement lent
3. Un message d'erreur s'allume fréquemment

La tension de la trieuse est trop forte. Pour relâcher cette tension, veuillez tourner le régleur d'épaisseur des billets d'un cran vers la droite (+). Remettez les billets dans la trieuse pour effectuer un nouvel essai de l'appareil. En cas d'erreurs, effectuez les réglages nécessaires.

Si :

1. Les billets s'envolent
2. L'affichage indique un mauvais calcul
3. Un message d'erreur s'allume fréquemment

La tension de la trieuse est trop lâche. Pour resserrer cette tension, veuillez tourner le régleur d'épaisseur des billets d'un cran vers la gauche (-). Remettez les billets dans la trieuse pour effectuer un nouvel essai de l'appareil. En cas d'erreurs, effectuez les réglages nécessaires.

L'appareil est prêt à accepter votre papier-monnaie lorsqu'il fonctionne sans aucune erreur.

5. Insérer les billets dans la trémie pour commencer à compter.

AFFICHAGE DES CODES D'ERREURS

Lorsque s'affiche un code d'erreur à l'écran de l'afficheur préréglé et que l'appareil cesse de fonctionner, veuillez vous reporter au tableau suivant pour obtenir une explication.

Code d'erreur	Explication
E01	Détecteur gauche de comptage
E02	Détecteur droit de comptage
E03	Détecteur gauche de billets en double
E04	Détecteur droit de billets en double
E05	Détecteur de réception des billets
E06	Détecteur d'alimentation des billets
E07	Détecteur de largeur
E08	Détecteur par UV
EA0	Demi-feuille. Élimination du billet. Appuyez sur RESTART et comptez en continu.
EA1	Billets de largeurs ou de versions différentes. Appuyez sur RESTART et comptez en continu.
EA2	Billets en double. Retirez les billets du bac de réception et placez-les à nouveau dans la trieuse, puis appuyez sur RESTART pour relancer le comptage. Si le code EA2 s'affiche souvent, veuillez modifier la position du réglage d'épaisseur.
EA3	Billets aboutés. Retirez les billets du bac de réception et placez-les à nouveau dans la trieuse, puis appuyez sur RESTART pour relancer le comptage.
EC4	Billet contrefait ou douteux détecté par UV. Éliminez ce billet, appuyez sur RESTART et comptez en continu.

Si vous recevez des codes d'erreur E01-E08, vérifiez s'il y a présence de poussière dans l'appareil. Si les codes d'erreur continuent de s'afficher, veuillez communiquer avec le Centre de service de Royal Sovereign au 1 800 397-1025.

SPÉCIFICATIONS

Modèle	RBC-1003BK
Alimentation	single-phase 100~240V 50/60Hz(1±5%)
Consommation	<50W
Température ambiante de fonctionnement	32~104°F / 0~40°C
Vitesse de comptage	1200 pcs/min.
Format d'alimentation des billets	4.3" × 2.0" ~ 9.8" × 7.7" / 110 × 50~185 × 90(mm)
Gamme d'affichage	Afficheur de comptage à quatre chiffres, afficheur réglé par défaut à trois chiffres
Cubage	10.6" × 9.8" × 7.7" / 270 × 250 × 195(mm)
Poids net	10.1 lbs / 4.6kg

GARANTI RESTREINTE DE UN AN

Cette garantie s'applique au remplacement ou à la réparation du produit défectueux, soit en matériel ou en qualité d'exécution pendant un an à partir de la date de l'achat original. Cette garantie est allongée pour l'acheteur original seulement.

Cette garantie est nul et sans effets s'il y a abus, mauvais usage, entretien incorrecte ou dommage attribué en cas de force majeure. La Royal Sovereign International, Inc. (e ses sociétés associées) ne sont aucunement responsables découlant d'incidents de dommages de tout nature que ce soit. Ces limites ne s'appliqueraient pas si vous résidiez dans des régions ou l'on ne permet pas l'exclusion de dommage imprévu ou découlant de quoi que ce soit.

Les produits défectueux pour remplacement ou réparation sous garantie ne peuvent pas être retournés sans numéro d'autorisation de retour. Veuillez vous rendre à www.royalsovereign.com USA-Onglet Customer Support (Support clientèle) pour faire une demande d'autorisation de retour de produit au bureau.

Les produits défectueux doivent être retournés au service de retour des consommateurs de Royal Sovereign International, fret payé d'avance, avec preuve d'achat et paiement des frais de manipulation et d'expédition de retour (chèque ou mandat). Le produit sera retourné au client après la réparation ou le remplacement.

Le retour de produit défectueux doit être envoyé à l'adresse suivante incluant une description détaillée du problème. S'il est possible renvoyé dans la boîte originale. Assurez-vous de prépayer les frais de l'expédition.

Pour les services hors garantie ou les questions souvent posées, veuillez vous rendre à www.royalsovereign.com USA-Onglet Customer Support (Support clientèle).

Pour la vente de produits, de pièces ou d'accessoires, veuillez vous rendre à www.royalfulfillmentcorp.com.

Pour service ou ventes contactez le bureau de la Royal Sovereign :

ROYAL SOVEREIGN INTERNATIONAL, INC.

2 Volvo Drive Rockleigh, NJ 07647 USA
TEL : +1) 800-397-1025 FAX : +1) 201-750-1022

RS CANADA INC.

164 Oakdale Road, Toronto, Ontario M3N 2S5 CANADA
TEL : +1) 416-741-8400 FAX : +1) 416-741-8185

www.royalsovereign.com

Free Manuals Download Website

<http://myh66.com>

<http://usermanuals.us>

<http://www.somanuals.com>

<http://www.4manuals.cc>

<http://www.manual-lib.com>

<http://www.404manual.com>

<http://www.luxmanual.com>

<http://aubethermostatmanual.com>

Golf course search by state

<http://golfingnear.com>

Email search by domain

<http://emailbydomain.com>

Auto manuals search

<http://auto.somanuals.com>

TV manuals search

<http://tv.somanuals.com>