



# OWNER'S MANUAL

*LAMINATOR*

*Model No. NB-1900N*



Read all instructions carefully before use.

For any customer support needs, please choose the « Customer Support » tab on [www.royalsovereign.com](http://www.royalsovereign.com).

Royal Sovereign International Inc.

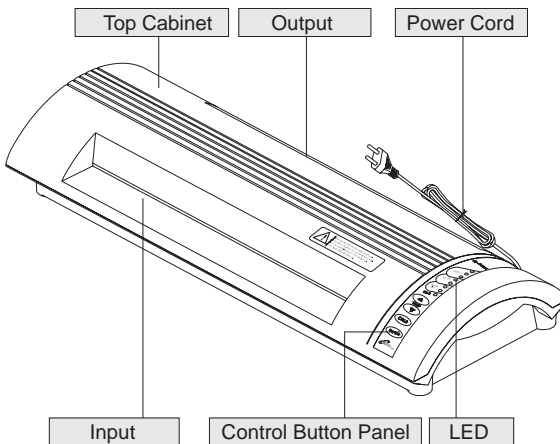
## TABLE OF CONTENTS

TOPIC	PAGE
INTRODUCTION _____	<b>3</b>
MAJOR PARTS _____	<b>3</b>
CHARACTERISTICS OF NB-1900N _____	<b>3</b>
SAFETY PRECAUTIONS _____	<b>4</b>
SET UP _____	<b>5</b>
CONTROL PANEL SETTINGS _____	<b>5</b>
HOT LAMINATING _____	<b>7</b>
COLD LAMINATING _____	<b>8</b>
COLOR FOIL LAMINATING _____	<b>9</b>
MOUNTING BOARD LAMINATING _____	<b>10</b>
CLEAN ROLLERS AND REMOVE JAMMED FILMS _____	<b>11</b>
IMPORTANT SAFETY CONCERNS _____	<b>12</b>
MAINTENANCE _____	<b>12</b>
ASSEMBLY PARTS _____	<b>12</b>
TROUBLESHOOTING _____	<b>12</b>
SPECIFICATIONS _____	<b>13</b>

## INTRODUCTION

Thank you for purchasing a Royal Sovereign Laminator.  
To insure high quality lamination, please read this instruction manual thoroughly.  
For additional product support or factory-direct ordering information.  
Call Royal Sovereign Customer Service at (800) 397-1025.

## MAJOR PARTS



## CHARACTERISTICS

LAMINATOR NB-1900N is an advanced laminator of contemporary design, utilizing the latest in laminating technology.

1. Contemporary design and rounded shape will enhance any decor.
2. A microprocessor is used for added protection.
  - 1) The microprocessor protects the rollers
    - a. Even when power is off, rollers continue to turn until properly cooled down.
    - b. In the event of a power failure, rollers continue turning until properly cooled down.
  - 2) The microprocessor prevents overheating  
If a temperature sensor fails, the microprocessor prevents rollers from overheating.
3. Designed to prevent heat from radiating through the housing, using powerful fans.
4. Eight function settings, allow you to laminate various types of film.
5. Every time a button is pressed, a buzzer sounds.
6. Temperature is controlled automatically for energy efficiency.

## SAFETY PRECAUTIONS



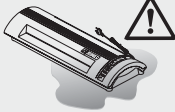
Failure to comply with any of the following safety procedures could result in serious injury. Keep this information for future reference.



1. To prevent the possibility of fire or injury, do not allow articles of clothing (neckties, scarves, or paperclips etc.) inside the machine.



2. Do not attempt to laminate items that exceed total recommended material thickness.



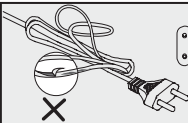
3. To prevent the possibility of electric shock, do not immerse the laminator in water or permit liquids inside the machine.



4. Do not operate machine for any other purpose other than its intended use. And do not insert sharp objects into front or rear machine openings.



5. This machine is for indoor use only.



6. Do not operate the machine if the outlet or power cord is damaged. And do not alter the electric plug in any way. Contact a qualified electrician.



7. The electrical outlet should be installed near the equipment and should be easily accessible.

## SET UP

Place laminator on a sturdy, flat work surface. Allow ample clearance behind laminator for laminated document or photograph to exit completely without bending.

Connect laminator to an electrical outlet that matches laminator's rated voltage and power requirements.

If an extension cord is required, use a cord rated higher than the laminator's capacity.

## CONTROL PANEL SETTINGS

Eight Functions allow you to laminate as necessary.

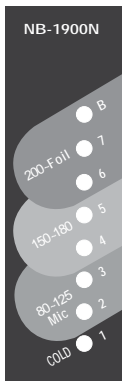
TACT-BUTTON and LED were designed for your convenience.

### 1. FUNCTION OF BUTTONS



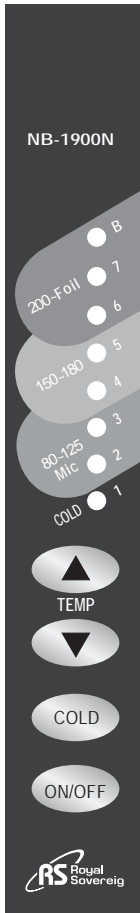
- : Increase setting
- : Decrease setting
- : COLD Function
- : Power On/off




### 2. DISPLAY





- 200~250 micron (8~10 mil) film, color foil and mount board laminating
- 150~180 micron (6~7 mil) film laminating
- 80~125 micron (3~5 mil) film laminating
- Cold film laminating

## 3. INSTRUCTION OF BUTTONS AND LED



1. Press power button to turn laminator on or off.
2. When you press power button, "FUNC 2" LED is blinking. At this time, function buttons become available.
3. To choose film thickness, press  or  and you will see the LED read-out.
4. For cold laminating, press  then green LED will light up.
5. When you choose any function, a blinking LED light means it's not ready. When the blinking stops, the laminator is ready.
6. When blinking stops, a buzzer will ring once every two minutes.
7. Even if you turn off as soon as finishing laminating, rollers will continue to turn until cooled down properly, and then stop.

## HOT LAMINATING

1. Press the power button.
2. Choose setting by  or .
3. When red LED stops blinking and buzzer rings, you're ready to laminate.  
(It takes 4~5 minutes depending on setting function.)
4. Put document to be laminated, into a laminating pouch. Leave a minimum border of about 3mm(1/8"), to provide a proper edge seal.
5. Insert pouch squarely into opening slot.
6. Finished lamination will exit through rear of machine.
7. Emerging laminated document is hot to the touch.  
(Always allow lamination to cool down on a flat surface for about a minute before handling, to prevent permanent bending. If document is not laminated well, re-insert it and run it through a second time.)
8. When continuously laminating, run the laminator at a lower setting because the internal machine temperature may be higher than the required temperature, causing the document to bend or ripple.
9. When finished laminating, turn off the machine.

### \*\*\*USEFUL INFORMATION\*\*\*

Sometimes, when continuously laminating, LED may begin blinking. If this happens, finish laminating the current document, then wait until the LED stops blinking, before inserting the next lamination.

\* Do not laminate empty or thin pouch on a thick film setting.  
The pouch could stick to the roller.

- \* Do not unplug laminator while laminating.  
This could be fatal for the rollers due to the high internal temperature.

## COLD LAMINATING

1. Press the power button to turn laminator on.
2. Press **COLD**
3. It is ready when green LED blinking stops and buzzer rings.
4. Insert document into Royal Sovereign cold laminating pouch as follows.

### \*\*HOW TO ATTACH DOCUMENT ON COLD POUCH FILM\*\*



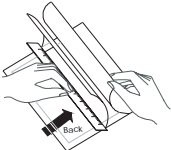
1) Prepare cold pouch film.



2) Remove protective paper inside cold pouch.  
(Be careful not to allow the pouch to close and seal itself closed. If the pouch closes on itself and seals, you will not be able to the document to be laminated inside.)



3) Place document squarely into the pouch, where the protecting paper was.  
Cold film's minimum border of about 3mm(1/8") is necessary to provide a proper edge seal.



4) Beware of dust while inserting document.  
5) Feed pouch squarely into opening slot.

5. Finished laminated pouch will exit through rear of machine.
6. When you are finished laminating, press the power button to turn off.


If it has recently been used for hot lamination, allow the rollers to be cooled down about 20~30 minutes.



## COLOR FOIL LAMINATING

Your laminator has ability to add color by using color foil to documents copied or printed by laser printer using toner.

**\*\*PAPER CARRIER is required\*\***

1. Press the power button to turn laminator on.
2. Find FOIL setting, using .
3. Machine is ready when red LED stops blinking and the buzzer rings.
4. Position color foil where you want on the document and insert it into the paper carrier.
5. Insert the paper carrier squarely into the opening slot.
6. Finished foil laminated paper will exit through rear of machine.
7. When you are finished laminating, press the power button to turn machine off.


**\*\*\*USEFUL INFORMATION\*\*\***

The document, which has been foil laminated, is hot and easily bent. Try not to touch the document until it has cooled down.

- \* When you do laminating several colors, use high temperature tape to hold color foils in place.
- \* For high quality lamination, choose FUNC depending on thickness of material and PAPER CARRIER.  
(Foil laminating temperature is set for a bond paper.)

## MOUNTING BOARD LAMINATING

\*\*You can laminate photographs or pictures on a mounting board, less than 2mm (1/12") thick without any tension adjustment.\*\*

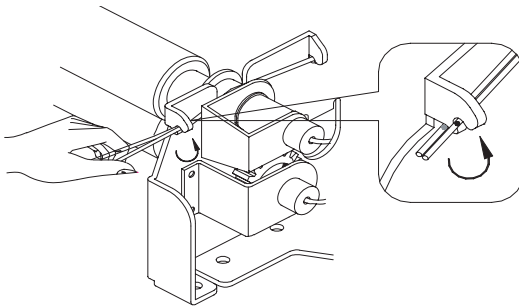
1. Press the power button to turn the machine on.
2. Set FOIL setting with .
3. When the LED light stops blinking and buzzer rings, the laminator is ready.
4. Place material on Mounting board.
5. Insert Mounting board squarely into opening slot.
6. Finished Mounting board will exit through rear of machine.
7. When you are finished laminating, press the power button to turn machine off.

### \*\*\*USEFUL INFORMATION\*\*\*

- \* The document, which has been mounting board laminated, is pretty hot and easily bent. Try not to touch the document until it has cooled down.
- \* When laminating to mounting board, pressure adjustment is needed for good quality lamination.

### \*\*\*LAMINATION PRESSURE ADJUSTMENT\*\*\*

- \* When you do laminating several colors, use high temperature tape to hold color foils in place.
1. Unplug the machine and unscrew the 8 screws on bottom of laminator, set machine upright and lift off the cover.
  2. Locate each end of left and right pressure spring on the upper part as shown.
  3. Reassemble top cover with 8 retaining screws and do lamination.



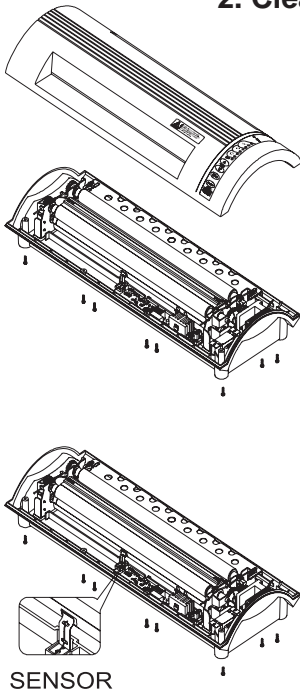
- \* For general lamination, set pressure springs to lower position.

## CLEANING ROLLERS AND REMOVING FILM JAMMED OR STUCK TO ROLLERS

### 1. Cleaning rollers with a clean and thick paper

- 1) If film adhesive appears on the laminated pouch surface, Insert a sheet of clean, thick paper (about 0.5mm(1/50") thickness) into the machine 2~3 times on "FUNC 4" setting. The paper will attract the excess adhesive from the roller.

### 2. Cleaning rollers with cleaning solvent.



- 1) When rollers are hot, turn on and set "COLD" mode to cool them down.
- 2) Press the power button to turn off.
- 3) Loosen 8 retaining screws on bottom and lift off the cover.
- 4) Use a recommended silicon roller cleaning solvent such as Laminex Poly-Off or equivalent, on a lint-free cloth to clean residue of laminate adhesive on exposed roller surface. Prevent any liquid from spilling into the unit.
- 5) Re-assemble the unit in reverse-order of disassembling.

**\* Do not turn the unit on until the rollers are completely dry.  
Wet rollers could cause serious harm.**

Be careful not to allow to damage temperature sensor, as damaged sensor could cause serious harm.

## IMPORTANT SAFETY CONCERNS

1. Be sure that neckties, necklaces, long hair and loose clothing are kept away while the laminator is in operation.
2. Prevent children from accessing the machine.
3. Place the machine on a sturdy, flat work surface to prevent damage.
4. Make certain that the machine is connected to an adequate power source.
5. Do not use for any other purpose, other than laminating.

## MAINTENANCE

1. Width of upper and lower side of film should be same in order not to allow melted adhesive to stick to the roller.
2. Routine roller cleaning is required to prevent adhesive build-up.
3. Always keep the machine clean.

To remove dust, finger prints, etc. on housing, use diluted alcohol on lint-free cloth. Prevent any liquids from getting into the laminator. (Do not use strong alcohol or petroleum-based cleaning solvents or abrasives.)

## ASSEMBLY PARTS

Owner's manual : 1EA

## TROUBLESHOOTING

Symptom	Cause	Check point
*Motor doesn't work.	1.Power cord may not be plugged in 2.Power switch in OFF mod	1.Check the power cord. 2.Check that switch is on
*Film is not laminated.	1.Cold mode is set.	1.Change the setting to hot laminatio
*Lamination is not clear.	1.Setting is too low.	1.Increase setting.

**SPECIFICATIONS**

DESCRIPTION	NB-1900N
Dimensions(w x d x h)	680x225x127mm (26.8"x10"x5")
Max. Laminating Width	445mm (17.5")
Max. Laminating Thickness	2mm (1/12")
Film Thickness	75~125(micron)
Transport Type	Four Roller (no carrier)
Heat Source	Hot roller
Pre-Heating Time	4~5 min
Temp. Operating Range	8 SETTINGS
Cooling Fan Type	DC FAN
Motor Type	AC motor
Max. Laminating Speed	520mm (20.5") per min.
Weight	11Kg (24 lbs.)
Voltage/Cycle	AC 100V 50/60Hz, AC 120V 60Hz , AC 220-240V 50/60Hz
Power Consumption	1000 W

**CORPORATE HEADQUARTERS**

Royal Sovereign International Inc.

2 Volvo Drive, Rockleigh, NJ 07647 U.S.A.

TEL : +1) 800-397-1025 FAX : +1) 201-750-1022

E-mail : [info@royalsovereign.com](mailto:info@royalsovereign.com)

**RS Holland B.V.**

Industrieweg 6K, 4104AR, Culemborg, The Netherlands

TEL : +31 (0)345 473 097

FAX: +31 (0)345 519 811

E-mail : [rseu@royalsovereign.com](mailto:rseu@royalsovereign.com)

**Royal Sovereign Inc.** <Oversea Sales Office>

1001, World Meridian II, 426-5, Gasan-dong,

Geumcheon-gu, Seoul, 153-759, KOREA

TEL : +82)2-2025-8800 FAX : +82)2-2025-8830

E-mail : [sales@royalsovereign.com](mailto:sales@royalsovereign.com)

**RS Canada Inc.**

1025 Westport Crescent, Mississauga On L5T 1E8 CANADA

TEL : +1) 905-461-1095

FAX : +1) 905-461-1096 TF: +1) 866 961-6673

E-mail : [info-ca@royalsovereign.com](mailto:info-ca@royalsovereign.com)

**RS International Australia PTY. LTD.**

30 Prime Drive, Seven Hills, NSW 2147, Australia

TEL : +61) 2-9674-2127

FAX : +61) 2-9674-2027

E-mail : [salesaust@royalsovereign.com](mailto:salesaust@royalsovereign.com)



[www.royalsovereign.com](http://www.royalsovereign.com)

## Free Manuals Download Website

<http://myh66.com>

<http://usermanuals.us>

<http://www.somanuals.com>

<http://www.4manuals.cc>

<http://www.manual-lib.com>

<http://www.404manual.com>

<http://www.luxmanual.com>

<http://aubethermostatmanual.com>

Golf course search by state

<http://golfingnear.com>

Email search by domain

<http://emailbydomain.com>

Auto manuals search

<http://auto.somanuals.com>

TV manuals search

<http://tv.somanuals.com>