



20 Litre Stainless Steel Microwave with Grill



User's Manual

Model number: RHM2015

DCP: 0587-0172-0001

SKU: 7212402

Please read these instructions carefully and keep them for future reference

Contents

	Page
About this microwave oven	3
Safety instructions.....	4
Microwave oven Installation.....	5
Feature diagram.....	6
Connection to the mains supply.....	6
Control panel.....	7
Operating instructions.....	8
Setting the clock.....	8
Microwave cooking.....	8
Quick start	9
Grill.....	9
Combination 1.....	9
Combination 2.....	9
Auto defrost.....	10
Auto cook.....	10
Hints.....	11
Child safety lock.....	11
Cleaning and care.....	11
Problem solving.....	12
Important utensil information.....	12
Non-rewireable mains plug.....	14
Specification.....	14

About this microwave oven

Microwaves are high-frequency electromagnetic waves similar to radio waves. While radio waves may vary in length from one metre to many kilometres, microwaves are very short (less than 12.5 centimetres). Microwaves do not make any heat themselves but only cause water molecules in food to vibrate. This vibration produces the heat that cooks the food. This is why your food will come out of the microwave piping hot, when your utensils inside the oven stay much cooler. The microwaves do not stay in the air or in the food when you open the microwave oven door.

The microwave oven will work using an ordinary household electrical socket. Inside the microwave oven is the magnetron, which turns the electrical energy into microwaves. Microwaves cannot go through metal, so the inside of the oven is lined with metal. The door is lined with a fine metal mesh which stops microwaves getting through. This means that when the microwave oven door is shut, there is no possibility that microwaves can be released. This is why the microwave oven has been made so that it will not work when the door is open.

Before you use your microwave oven

- 1 Remove all the packaging. **Do not remove** the small piece of card from the right hand side of the cavity wall. This is called a wave-guide cover and allows the microwaves to pass through to cook the food.
- 2 Check the oven after unpacking for any visual damage such as:
 - A misaligned door
 - Damage to the door
 - Dents or holes in the door window and screen
 - Dents in the inside

If you can see any damage do not use the oven

Safety instructions

Warning: this oven must be positioned so that the plug is accessible and the plug socket is within easy reach of the power cord.

Warning: when the appliance is operated in the combination or grill mode, children should only use the oven under adult supervision due to the temperatures generated.

- Children should be supervised to ensure they do not play with the appliance, and the appliance and cable should be kept completely out of reach of young children.
- This appliance is not designed for use by children, or persons with reduced physical, sensory or mental capabilities, and should not be used by such persons unless they can do so safely. Where necessary, such persons (or anyone with lack of experience or knowledge) should first be given supervision or instruction concerning use of the appliance by a person responsible for their safety.

Warning: it is hazardous for anyone other than a competent person to carry out any service or repair operation which involves the removal of a cover which gives protection against exposure to microwave energy.

Warning: if the door or door seals are damaged, the oven must not be operated until it has been repaired by a competent person. The door seals are located around the window on the inside of the door. These seals are not airtight, although no microwaves can be released; it is normal for small amounts of air or steam to escape when the oven is in use.

Warning: liquids and other foods must not be heated in sealed containers, as they are liable to explode.

- Do not operate the microwave if damaged or after it malfunctions. In the event the supply cord is damaged, it must only be replaced by a qualified service engineer, with a suitably approved part.
- Keep the microwave, cable and plug dry, never immerse in water.
- When heating food in plastic or paper containers, keep an eye on the oven due to the possibility of ignition.
- Only use the oven for preparing food. For example do not use for drying clothes, paper or any other non-food items, or for sterilising purposes.
- To avoid damaging the oven, do not use the oven when the cavity is empty. The oven may be empty (as a timer) in microwave mode with the power set to zero – [see page 8](#).
- Do not store anything in the oven, such as papers, cookbooks and so on.
- Do not cook any food surrounded by a membrane, such as egg yolks, potatoes, chicken livers, ready meals and so on without piercing them several times with a fork.
- Eggs in their shell and whole hard-boiled eggs should not be heated in microwave ovens since they may explode, even after microwave heating has ended.
- Never cover the air vents or put any objects into the openings in the outer case.
- Never remove parts from the oven such as the feet, screws and so on.
- Only use utensils recommended in these instructions – [see page 12](#).
- Do not try to deep-fry foods in this oven.
- Heat from the contents of a container may be transmitted to the container itself, so please be careful when removing it from the oven. Please remember that the food or liquid inside will be releasing some steam or will be spitting. Never cover any container fully, always leave a gap for steam to escape.
- Cooking utensils may become hot because of heat transferred from the heated food. This is especially true if plastic wrap has been covering the top and handles of the utensil. You may need oven gloves to handle the utensil.
- In order to avoid burns, the contents of feeding bottles and baby food jars shall be stirred or shaken and the temperature checked before consumption.
- Always test the temperature of cooked food, never eat or drink food or liquid straight from the oven, allow it to stand for a few minutes and stir to distribute the heat evenly.
- Microwave heating of beverages can result delayed eruptive boiling, therefore care must

- be taken when handling the container.
- Food containing a mixture of fat and water (for example, stock) should stand for 30 to 60 seconds in the oven after it has been turned off. This is to allow the mixture to settle and to prevent it from bubbling when a spoon is placed in it, or a stock cube is added.
- When heating or cooking food or liquid, remember that there are certain foods (such as Christmas puddings, jam and mincemeat), which heat up very quickly.
- When heating or cooking foods that contain a lot of fat or sugar, do not use plastic containers.
- Always have the glass tray and turntable support in place when using the oven.
- Do not cook food directly on the glass tray. Put food on a suitable plate or in a bowl before putting it in the oven.

To reduce the risk of fire in the oven cavity:

- Do not overcook food.
- Do not leave the microwave oven unattended while you are using it.
- Remove wire twist-ties from bags before putting the bag in the oven.
- If materials inside the oven catch fire, keep the oven door closed, turn the oven off at the wall switch, or shut the power off at the fuse or circuit breaker panel.

FOOD SAFETY

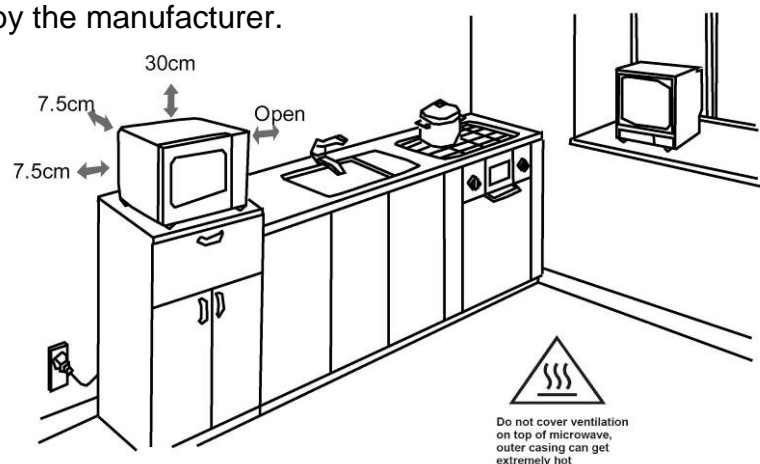
- Do not cook raw meat or raw shellfish in a microwave, due to the possibility for uneven heating.
- Do not use the microwave oven for home canning or bottling. Improperly canned or bottle foods may spoil and be dangerous to eat.
- Follow cooking instructions on food packaging and always check the temperature of food before serving.

Microwave oven installation

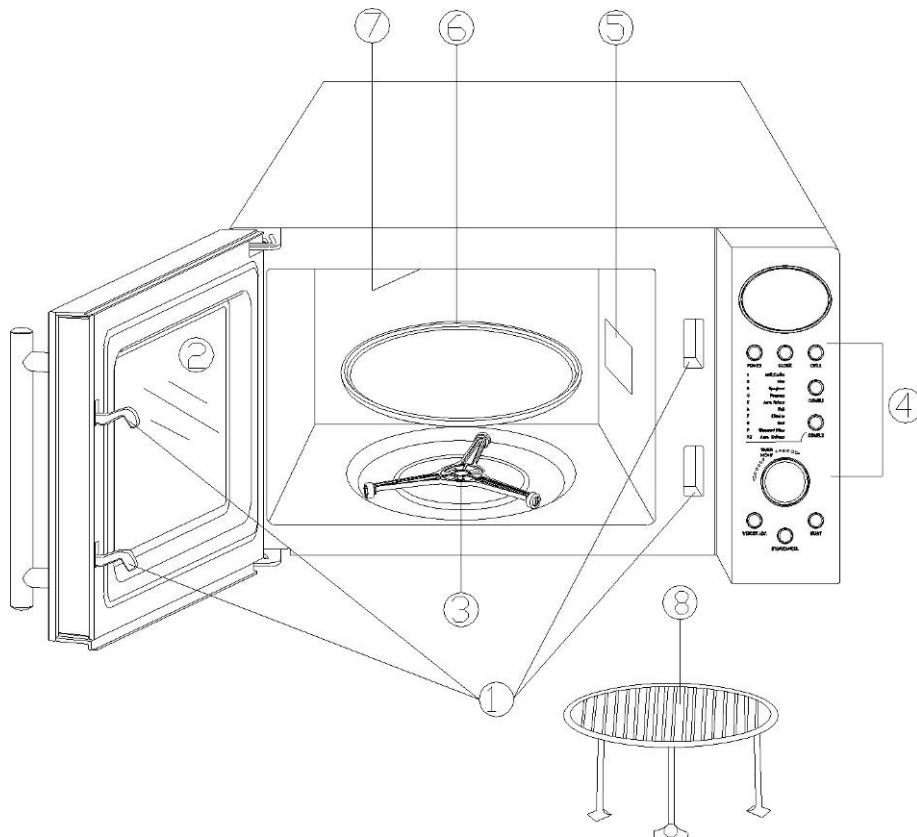
Warning: do not install the oven over a cooker or other heat producing appliance. This will damage the oven. The oven must be placed away from high temperatures and steam.

- This microwave oven weighs approximately 12.5kg so you must put it on a horizontal surface that is strong enough to support this weight.
- This microwave is designed to be free standing and is not intended to be used 'built in' or in a cabinet.
- Do not put anything on the top of the microwave oven.
- Only use the accessories supplied by the manufacturer.

1. Select a level surface that provides enough space for the outlet vents.
2. A minimum clearance of 3 inches (7.5cm) is required between the oven and any adjacent walls. One side must be open. Leave a minimum clearance of 12 inches (30cm) above the oven.
3. Place the oven as far away from radios and TV's as possible. Using the oven may cause interference with the reception.
4. Plug the oven into a suitable 13amp mains socket, make sure the voltage is the same as on the rating label (do not use extension cables or mains socket adaptors).



Feature diagram



- 1 Door safety lock system
- 2 Oven window
- 3 Turntable support
- 4 Control panel
- 5 Wave guide cover (do not remove)
- 6 Glass tray
- 7 Grill heater
- 8 Grill rack

Connection to the mains supply

WARNING - THIS APPLIANCE MUST BE EARTHED

This appliance is designed to operate from a mains supply of AC230-240V ~ 50Hz. Check that the voltage marked on the product corresponds with your supply voltage. This product is fitted with a 13A plug complying with BS1363.

If this plug is unsuitable or needs to be replaced, please note the following:

Important: The wires in the mains lead are coloured in accordance with the following code:

GREEN/YELLOW-EARTH

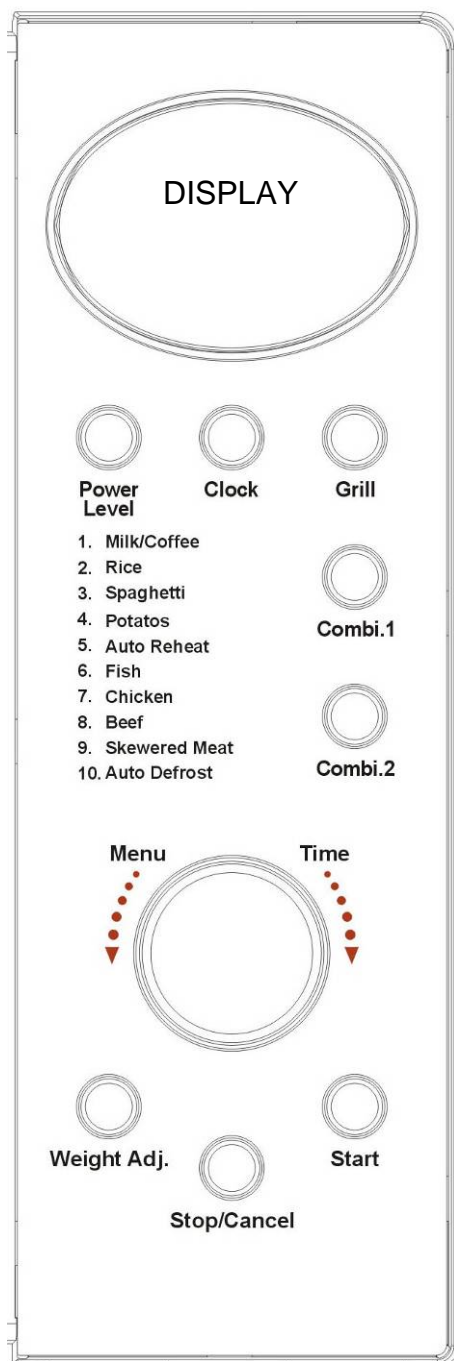
BLUE-NEUTRAL

BROWN-LIVE



DANGER
Electric
Shock Risk

Control panel



DISPLAY

Cooking time, power, action indicator and clock time are displayed.

POWER LEVEL

Press this button a number of times to set a cooking power level.

CLOCK

Touch to set the digital clock.

GRILL

Press to set a grill-cooking program.

WEIGHT ADJ.

Press to specify the food weight or the number of servings.

COMBI.1 & COMBI.2

Combined cooking with microwave and grill power.

START

Press to start a cooking program. The cooking indicator light and the oven light will turn on and the cooling fan will operate.

Simply press it a number of times to set cooking time and cook immediately at full power level.

STOP/CANCEL

Press to cancel a setting or to reset the oven before setting a cooking program.

Press once to pause a cooking program and twice to cancel a cooking program.

It is also used to set child lock.

MENU/TIME DIAL

Turn to set the oven clock time and input cooking time.

Turn to select an auto-cook menu including auto defrost.

Operating instructions

Connect the main plug into a suitable 13amp mains socket, make sure the voltage is the same as on the rating label (do not use extension cables or mains adaptors).

The microwave oven will bleeps once and the display will show the clock symbol and '1:00'

During any cooking program,

- To pause cooking press the STOP/CANCEL button.
- To stop cooking press STOP/CANCEL button again.
- Cooking or defrosting can be interrupted at any time to stir or check the food progress by opening the door. Press START button to continue program after closing the door.
- After cooking time has elapsed 'End' will be displayed and 5 bleeps will be heard every 2 minutes until the oven door is opened or the STOP/CANCEL button is pressed.

SETTING THE CLOCK

With the oven ready for input, touch the CLOCK button once or twice to set the digital clock in 12 or 24 hours cycle.

For example: If you want to set the oven clock time to 8:30.

1. Choose to set the clock in 12 or 24-hour cycle by touching the CLOCK button.
2. Turn MENU/TIME dial to indicate the hour digit 8.
3. Press CLOCK button once.
4. Turn MENU/TIME dial to indicate the minute digits until the display shows 8:30.
5. Press CLOCK button once to confirm the setting.

NOTE: To check clock time during cooking, press the CLOCK button once.

MICROWAVE COOKING

To cook with microwave power alone, press the POWER LEVEL button a number of times to select a cooking power level, and then use the dial MENU/TIME to set a desired cooking time. The longest cooking time is 95 minutes.

You can microwave food using 6 power settings:

PRESS POWER BUTTON	COOKING POWER
Once	100% (High)
Twice	80% (Medium High)
3 times	60% (Medium)
4 times	40% (Medium Low)
5 times	20% (Low)
6 times	0% (Use for kitchen timer)

For example, if you want to microwave food for 5 minutes at 60% microwave power:

1. Place the food in a container suitable for use with microwave ovens, put it into the microwave oven and close the door.
2. Press POWER LEVEL button a number of times to set microwave power 60%.
3. Turn the MENU/TIME dial to enter cooking time until the correct cooking time 5:00 is displayed.
4. Press START button.

QUICK START

This program allows you to cook food at 100% power between 30 seconds and 10 minutes by pressing the START button a number of times. For example if you want to cook food for 2 minutes.

1. Place the food in a container suitable for use with microwave ovens, put it into the microwave oven and close the door.
2. To set the time (2 minutes), press the START button 4 times. The microwave oven will automatically start to cook your food.

GRILL

Grill cooking is particularly useful for thin slices of meat, steaks, chops, kebabs, sausages and pieces of chicken. It is also suitable for hot sandwiches and au gratin dishes. The longest cooking time is 95 minutes.

For example, if you want to grill food for 12 minutes.

1. Place the food in a container suitable for use with grills, put it into the microwave oven and close the door.
2. Press GRILL button.
3. Turn the MENU/TIME dial to enter cooking time until the correct cooking time 12:00 is displayed.
4. Press START button.

NOTE: It is advised to turn the foods halfway through grilling to distribute heat evenly.

COMBINATION COOKING

The oven has the ability to combine the microwave and the grill. There are 2 combination settings 'comb1' and 'comb2'.

- Combination 1 has 30% microwave cooking time and 70% grilling time and is useful for foods such as potatoes, fish and thicker cuts of meat.
- Combination 2 has 55% microwave cooking time and 45% grilling time. This is useful for foods such as puddings omelets, baked potatoes and poultry.
- Use containers that are suitable for use with grills **and** microwave ovens.
- It is advised to turn the foods halfway through cooking to distribute heat evenly.

COMBINATION 1

For example, if you want to cook food on combination 1 cooking for 25 minutes.

1. Put food into the oven, close the door and press COMBI.1 button.
2. Turn MENU/TIME dial to enter 25:00.
3. Press START button.

COMBINATION 2

For example, if you want to cook food on combination 2 cooking for 12 minutes.

1. Put food into the oven, close the door and press COMBI.2 button.
2. Turn MENU/TIME dial to enter 12:00.
3. Press START button.

AUTO DEFROST

The oven allows the defrosting of meat, poultry, and seafood. The time and the defrosting power are adjusted automatically once the weight is programmed. The weight range of frozen foods that can be defrosted is between 100g and 1800g.

For example: If you want to defrost 600g of food.

1. Place the food in a container suitable for use with microwave ovens, put it into the microwave oven and close the door.
2. Turn MENU/TIME dial anti-clockwise once, the display will show "10" and "AUTO".
3. Touch WEIGHT ADJ. button to choose a weight "600g".
4. Press START button.

NOTE: during auto defrost program, the oven will pause and sound bleeps. Turn the food over and press the START button to resume defrosting.

AUTO COOK

In addition to the auto defrost program above, there are 9 auto menus you can use for easy cooking. It is not necessary to program the duration or the cooking power. See the chart below for the auto cook menus. For example: to cook 400g of fish.

1. Turn MENU/TIME dial anti-clockwise once to show "10" and "AUTO", then turn the dial again until display shows code 6.
2. Press WEIGHT ADJ. button repeatedly until the display shows 400g.
3. Place food in a container suited for the cooking process and press START button.

During autocook programs 7, 8 and 9, the oven will pause and sound bleeps. Turn the food over and press the START button to resume cooking.

AUTO MENU	FOOD	WEIGHTS	RECOMMENDATION
1	Milk/Coffee	1-200ml 2-400ml 3-600ml	Place the cup onto the centre of the turntable. When the liquid has been removed from the oven, leave to stand before adding sugar.
2	Rice	150g 300g 450g 600g	Place the rice into a suitable container, cover with twice the quantity of water.
3	Spaghetti	100g 200g 300g	Place the spaghetti into a suitable container with eight times the quantity of boiling water.
4	Potatoes	1-230g 2-460g 3-690g	Prick the skins and place on a suitable plate. Turn the potatoes over halfway through the cooking time.
5	Auto reheat	200g - 800g	Straight from the refrigerator.
6	Fish	200g 300g 400g 500g 600g	Place the fish in a suitable container and cover with microwave safe cling film leaving a gap for the steam to escape.
7	Chicken	800g 1000g 1200g 1400g	A combination of microwave and grill cooking is used. Place the chicken on a suitable plate and place onto the grill rack.
8	Beef	200g 300g 400g 500g 600g	A combination of microwave and grill cooking is used. Place the beef on a suitable plate and place onto the grill rack.
9	Skewered meat	100g 200g 300g 400g 500g	A combination of microwave and grill cooking is used. Place the meat on a suitable plate and place onto the grill rack. Only use wooden skewers, do not use metal skewers.

HINTS

- Do not cook, reheat or defrost foods directly on the turntable, always put the food into a suitable microwave container.
- Do not cook foods such as meat from frozen, always defrost the foods first.
- Where appropriate, cover dishes with microwave safe cling film and pierce, this will retain the moisture and prevent splashing and spillages. Always loosen lids before putting into the oven.
- To distribute heat evenly, stir or shake foods halfway through cooking.

CHILD SAFETY LOCK

This function is to help prevent small children from using the microwave oven.

The CHILD LOCK indicator will show on the display, and the oven cannot be operated while the CHILD LOCK is set.

- To set the CHILD LOCK: Press and hold the STOP/CANCEL button for 3 seconds, a bleeps sounds and lock indicator lights.
- To cancel the CHILD LOCK: Press and hold the STOP/CANCEL button for 3 seconds until lock indicator on display goes off.

Cleaning and care

Failure to maintain the oven in a clean condition, could lead to deterioration of the surface that could adversely affect the life of the appliance and possibly result in a hazardous condition. The oven should be cleaned regularly and any food deposits removed.

- Before you clean the microwave oven, turn it off and unplug it.
- Keep the inside of the oven clean. When food or liquids stick to the oven walls, wipe with a damp cloth. We recommend that you do not use harsh detergent or abrasives.
- On the right hand side wall of the cavity is the wave guide cover. Microwaves are passed through this cover to enable your food to cook. It is important that the wave guide cover is kept clean at all times. To do this wipe with mild detergent and water, then dry. Do not remove the waveguide cover.
- You should clean the outside of the oven with a damp cloth and polish dry with a soft dry cloth. Do not allow water to seep into the ventilation openings.
- Wipe the door and window on both sides, the door seals and adjacent parts frequently with a damp cloth to remove any spills or spatters. Do not use an abrasive cleaner.
- Do not allow the control panel to become wet. Clean with a soft, damp cloth. Do not use detergents, abrasives or spray-on cleaners on the control panel.
- If steam builds up inside or around the outside of the oven door, wipe with a soft cloth. This may happen when the microwave oven is used in humid conditions.
- If the inside of the oven smells, put a cup of water with the juice and the skin of one lemon in a deep microwave bowl. Microwave it for three minutes, wipe the cavity walls thoroughly and then dry with a soft cloth.
- Regularly clean the turntable support and oven floor. Simply wipe the bottom surface of the oven with mild detergents and water, and then dry. You can wash the turntable support in soapy water. Check that it is correctly fitted after cleaning.
- Regularly remove the glass tray to clean it, and wash in warm soapy water.
- Do not remove the waveguide cover on the inside wall of the cavity.

Problem solving

The microwave oven may cause interference to your radio, TV or similar equipment. If it does, you can get rid of the interference by moving the radio, TV or equipment as far away from your microwave oven as possible.

If the oven doesn't work, if the display does not appear or if the display has disappeared

- Make sure the oven is plugged in securely. If it is not, remove the plug from the socket, wait 10 seconds and plug it in again securely.
- Check the premises for a blown circuit fuse or a tripped main circuit breaker. If these seem to be working properly, test the socket with another appliance.

If the microwave power will not work

- Make sure the door is securely closed. Otherwise, the microwave energy will not flow into the oven.

Important utensil information

When using the microwave mode

- Use only cookware that is approved to be used in a microwave oven.
- Do not use metal pans or dishes with metal handles.
- Do not use anything with a metal trim.
- Do not use paper covered wire twist-ties on plastic bags.
- Do not use melamine dishes as they contain a material, which will absorb microwave energy. This may cause the dishes to crack or burn, and will slow down the cooking speed.
- Do not cook using a container with a restricted opening, such as bottles as they may explode.
- Do not heat baby bottles with the teat left on and remove the teat if replacing the bottle back into the oven.
- Only use thermometers that are approved for microwave ovens.
- Do not use the microwave oven for heating utensils.

When using the grill mode

- Use only cookware that is approved to be used under a grill – e.g. metal and heat resistant glass and ceramic ware.
- Do not use paper or plastic cookware or film.

When using the combination mode

- Use only cookware that is approved to be used for microwave AND grill use – e.g. heat resistant glass and ceramic ware.
- Do not use paper or plastic cookware or film.

Non-rewireable mains plug

If your appliance is supplied with a non-rewireable plug fitted to the mains lead you will find that it incorporates a fuse, the value of which is indicated either on the base of the plug or on the fuse carrier. Should the fuse need replacing, you must use an ASTA approved fuse (conforming to BS1362) of the same rating. If the fuse cover is lost the plug must not be used until a replacement is obtained from an electrical supplier. If you need to remove the plug, cut it from the mains lead and dispose of it. Never attempt to re-use this plug or insert it into a socket outlet, as there is a very great risk of an electric shock.

SPECIFICATIONS:

Rated voltage:	230-240V~50Hz,
Operating frequency:	2,450MHz
Microwave input:	1200W
Power output:	800W
Grill:	1000W
Outside Dimensions:	262mm x 393mm x 452mm
Oven capacity dimensions	210mm x 329mm x 315mm
Oven Capacity:	20 Litres
Weight:	Approx. 12.5kg

If you have any questions about this product, please call our Careline free on

0800 636262

Made in China under licence.

Sourced by Sainsbury's Supermarkets Ltd, EC1N 2HT. Russell Hobbs is the registered trademark of Russell Hobbs Ltd.



Revision 1

This symbol is known as the 'Crossed-out Wheelie Bin Symbol'. When this symbol is marked on a product, it means that the product should not be disposed of with your general household waste. Only discard electrical/electronic items in separate collection schemes, which cater for the recovery and recycling of materials contained within. Your co-operation is vital to ensure the success of these schemes and for the protection of the environment.

We reserve the right due to possible changes to design to alter the instruction manual without prior notice.

Free Manuals Download Website

<http://myh66.com>

<http://usermanuals.us>

<http://www.somanuals.com>

<http://www.4manuals.cc>

<http://www.manual-lib.com>

<http://www.404manual.com>

<http://www.luxmanual.com>

<http://aubethermostatmanual.com>

Golf course search by state

<http://golfingnear.com>

Email search by domain

<http://emailbydomain.com>

Auto manuals search

<http://auto.somanuals.com>

TV manuals search

<http://tv.somanuals.com>