



# Russell Hobbs

## 20 Litre Digital Microwave Oven



### **User's Manual**

Model number: RHM2306

Please read these instructions carefully and keep them for future reference

# CONTENTS

	Page
<b>About this microwave oven .....</b>	<b>1</b>
<b>Important Safety instructions.....</b>	<b>2</b>
<b>Microwave oven Installation.....</b>	<b>4</b>
<b>Feature diagram.....</b>	<b>5</b>
<b>Control panel.....</b>	<b>6</b>
<b>Operation instructions.....</b>	<b>7</b>
Setting the clock.....	7
Microwave cooking.....	7
Quick start cooking.....	8
Auto cook.....	8
Hints .....	9
Auto cook menus.....	10
Auto defrost.....	10
Multi-stage cooking.....	10
Child safety lock .....	11
Timer .....	11
<b>Cleaning and care.....</b>	<b>12</b>
<b>Problem solving.....</b>	<b>13</b>
<b>Important utensil information.....</b>	<b>13</b>
<b>Connection to the mains supply.....</b>	<b>14</b>
<b>Non-rewireable mains plug.....</b>	<b>14</b>

## ABOUT THIS MICROWAVE OVEN

Microwaves are high-frequency electromagnetic waves similar to radio waves. While radio waves may vary in length from one metre to many kilometers, microwaves are very short (less than 12.5 centimetres). Microwaves do not make any heat themselves but only cause water molecules in food to vibrate. This vibration produces heat that cooks the food. This is why your food will come out of the microwave piping hot, when your utensils inside the oven stay much cooler. The microwaves do not stay in the air or in the food when you open the microwave oven door.

The microwave oven will work using an ordinary household electrical socket. Inside the microwave oven is the magnetron, which turns the electrical energy into microwaves. Microwaves cannot go through metal, so the inside of the oven is lined with metal. The door is lined with a fine metal mesh which stops microwaves getting through. This means that when the microwave oven door is shut, there is no possibility that microwaves can be released. This is why the microwave oven has been made so that it will not work when the door is open.

Before you use your microwave oven

1. Remove all the packaging. Do not remove the small piece of card from the right hand side of the cavity wall. This is called a wave-guide cover and allows the microwaves to pass through to cook the food.
2. Check the oven after unpacking for any visual damage such as
  - A misaligned door
  - Damage to the door
  - Dents or holes in the door window and screen
  - Dents in the inside
  - If you can see any damage **do not** use the oven.

This microwave oven weighs approximately 13.6kg so you must put it on a horizontal surface that is strong enough to support this weight.

The oven must be placed away from high temperatures and steam.

Do not put anything on the top of the microwave oven.

Only use the accessories supplied by the manufacturer.

## IMPORTANT SAFETY INSTRUCTIONS

- Do not use the oven for any reason other than preparing food, such as for drying clothes, paper or any other non-food items, or for sterilizing purposes.
- Do not use the oven when it is empty. This could damage the oven.
- Do not store anything in the oven, such as papers, cookbooks and so on.
- Do not cook any food surrounded by a membrane, such as egg yolks, potatoes, chicken livers, ready meals and so on without piercing them several times with a fork.
- Eggs in their shell and whole hard-boiled eggs should not be heated in microwave ovens since they may explode, even after microwave heating has ended
- Never put any objects into the openings on the outer case.
- Never remove parts from the oven such as the feet, screws and so on.
- You should use microwave utensils only in line with these instructions.
- Do not try to deep-fry foods in this oven.
- When heating food in plastic or paper containers, keep an eye on the oven due to the possibility of ignition
- Heat from the contents of a container may be transmitted to the container itself, so please be careful when removing it from the oven. Please remember that the food or liquid inside will be releasing some steam or will be spitting. Never cover any container fully, always leave a gap for the steam to escape.
- Microwave heating of beverages can result in delayed eruptive boiling, Therefore care must be taken when handling the container.
- Cooking utensils may become hot because of heat transferred from the heated food. This is especially true if plastic wrap has been covering the top and handles of the utensil. You may need oven gloves to handle the utensil.
- The contents of feeding bottles and baby food jars shall be stirred or shaken and the temperature checked before consumption, in order to avoid burns.
- Always test the temperature of cooked food, never eat or drink food or liquid straight from the oven, allow it to stand for a few minutes and stir to distribute the heat evenly.
- Food containing a mixture of fat and water (for example, stock) should stand for 30 to 60 seconds in the oven after it has been turned off. This is to allow the mixture to settle and to prevent it from bubbling when a spoon is placed in it, or a stock cube is added.

- When heating or cooking food or liquid, remember that there are certain foods (such as Christmas puddings, jam and mincemeat) which heat up very quickly.
- When heating or cooking food that contain a lot of fat or sugar, do not use plastic containers.
- Always have the glass tray and turntable support in place when using the oven.
- Do not cook food directly on the glass tray. Put food on a suitable plate or in a bowl before putting it in the oven.
- Keep the waveguide cover clean at all times. Wipe the oven interior with a soft damp cloth after each use. If you leave grease or fat anywhere in the cavity it may overheat, smoke or even catch fire when next using the oven.

To reduce the risk of fire in the oven cavity:

- Do not overcook food
- Do not leave the microwave unattended while you are using it
- Remove wire twist-ties from bags before putting the bag in the oven.
- If materials inside the oven catch fire, keep the oven door closed, turn the oven off at the wall switch, or shut the power off at the fuse or circuit-breaker panel.

**WARNING:** this oven must be positioned so that the plug is accessible and the plug socket is within easy reach of the power cord.

**WARNING:** children should not use this microwave oven.

This appliance is not intended for use by persons (including children) with reduced physical, sensory or mental capabilities, or lack of experience and knowledge, unless they have been given supervision or instruction concerning use of the appliance by a person responsible for their safety.

Children should be supervised to ensure that they do not play with the appliance.

**WARNING:** It is hazardous for anyone other than a trained person to carry out any service or repair operation which involves the removal of any cover which gives protection against exposure to microwave energy.

**WARNING:** if the door or door seals are damaged, the oven must not be operated until it has been repaired by a competent person. The door seals are located around the window on the inside of the door. These seals are not airtight, although no microwaves can be released, it is normal for small amounts of air or steam to escape when the oven is in use.

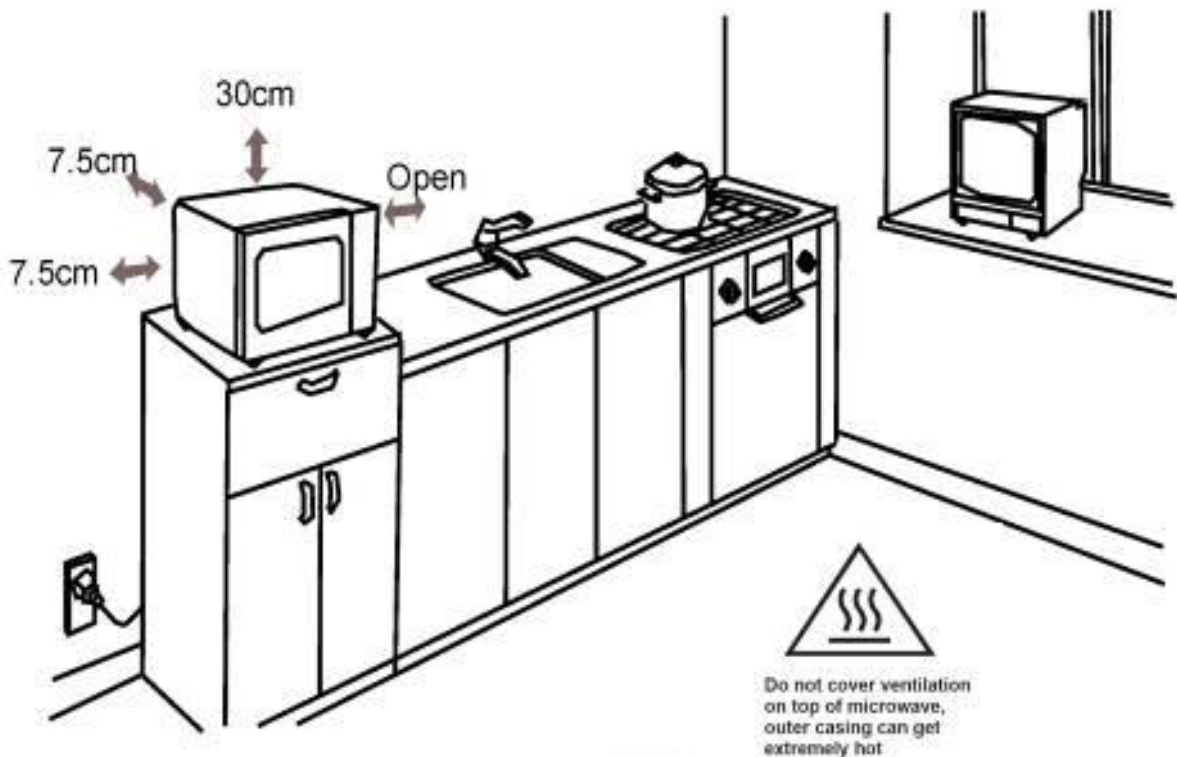
**WARNING:** Liquid or other food must not be heated in sealed containers since they are liable to explode.

## MICROWAVE OVEN INSTALLATION

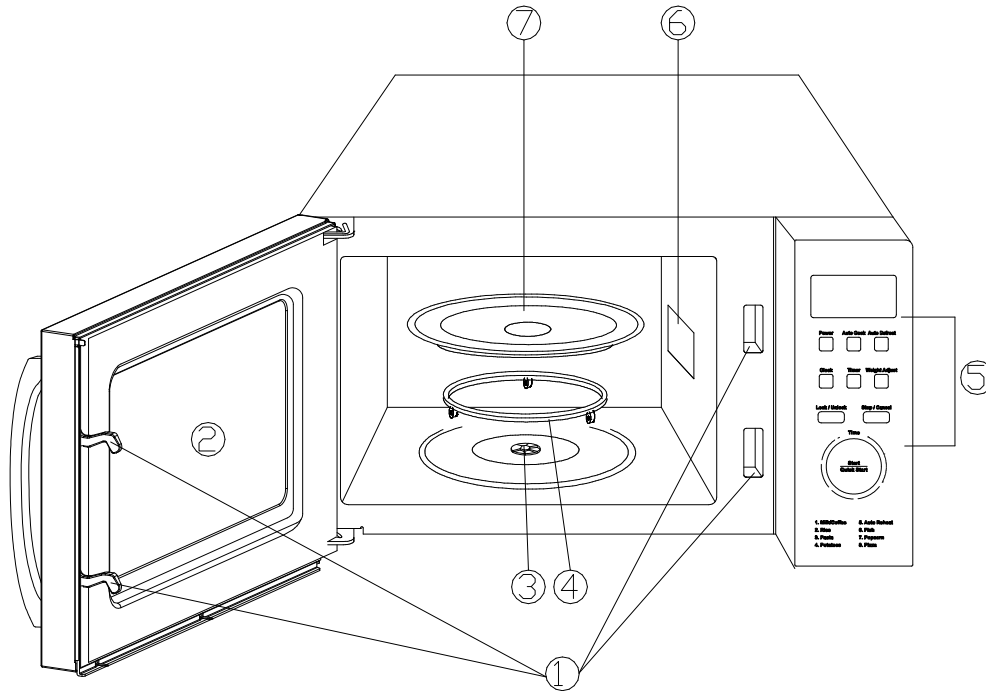
1. Select a level surface that provides enough space for the outlet vents.
2. A minimum clearance of 3 inches (7.5cm) is required between the oven and any adjacent walls. One side must be open. Leave a minimum clearance of 12 inches (30cm) above the oven.
3. Place the oven as far away from radios and TV's as possible. Using the oven may cause interference with the reception.
4. Plug the oven into a suitable 13 amp mains socket, make sure the voltage is the same as the rating label (do not use extension cables or mains socket adaptors).

**Warning:** do not install the oven over a cooker or other heat producing appliance. This will damage the oven.

**Warning:** liquids and other foods must not be heated in sealed containers as they are liable to explode.

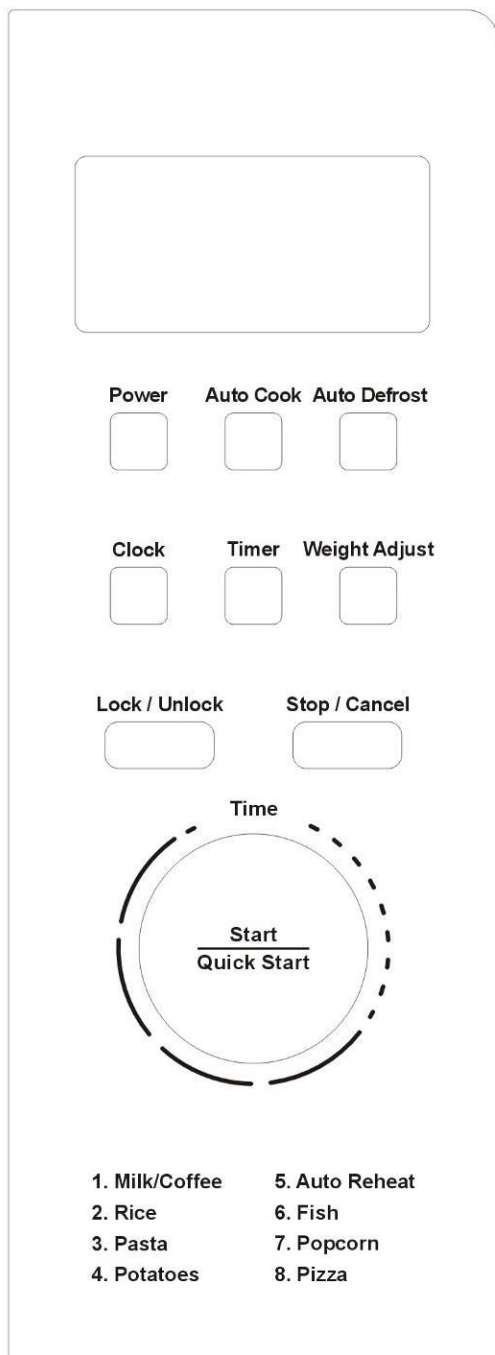


## FEATURE DIAGRAM



1. Door Safety Lock System
2. Oven Window
3. Shaft
4. Turntable support
5. Control Panel
6. Wave Guide
7. Glass Tray

## CONTROL PANEL



### **DISPLAY**

Cooking time, power, action indicators, and clock time are displayed.

### **POWER**

Press this button a number of times to set microwave cooking power level.

### **AUTO COOK**

Press this button for easy cooking menus.

### **AUTO DEFROST**

Press to defrost food by weight.

### **CLOCK**

Press this button to set the oven.

### **TIMER**

Used to set a kitchen timer program.

### **WEIGHT ADJUST**

Press this button to specify food weight or number of servings.

### **LOCK/UNLOCK**

Press to set the child lock.

### **STOP/CANCEL**

Press to cancel a setting or reset the oven before setting a cooking program.

Press once to pause a cooking program, or twice to cancel a cooking program.

### **TIME (Knob)**

Turn the knob to set the oven clock time and input cooking time.

### **Start/QUICK START**

Press to start a cooking program.

Press repeatedly to set quick start function.



## OPERATION INSTRUCTIONS

Connect the mains plug into a suitable 13amp mains socket, make sure the voltage is the same as on the rating label (do not use extension cables or mains socket adaptors). The microwave oven will beep once and the display will show the clock symbol and '1:00'.

Note: during any of the following cooking programs, to pause cooking, press the 'Stop/Cancel' button. To stop cooking, press the 'Stop/Cancel' button again.

### **Setting the clock (24 hour)**

With the oven ready for input, press the CLOCK button to set the digital clock in 24 hours cycle.

FOR EXAMPLE: If you want to set the oven clock time to 8:30.

1. Press CLOCK button once.
2. Turn TIME to indicate the hour digit 8.
3. Press CLOCK button once to confirm.
4. Turn TIME dial to indicate the minute digits until the screen shows 8: 30.
5. Press CLOCK to confirm the setting.

**Note:** You can press the CLOCK button once to check clock time during cooking.

### **Microwave Cooking**

Press the POWER LEVEL button a number of times to select a cooking power level, and then use the TIME dial to set a desired cooking time. The longest cooking time is 95 minutes.

You can microwave food using 6 settings:

Press POWER LEVEL button	Cooking power (Display)
Once	100% (100)
Twice	80% (80)
3 times	60% (60)
4 times	40% (40)
5 times	20% (20)
6 times	0% (00)

For example, if you want to microwave food for 5 minute at 60% microwave power:

1. Press POWER LEVEL button 3 times.
2. Turn TIME to 5:00.
3. Press START/QUICK START button.

**Note:** During cooking, you can check the present cooking power by pressing POWER LEVEL button.

### Quick Start Cooking

This program allows you to cook food at 100% power between 30 seconds and 10 minutes by pressing the START/QUICK START directly.

For example if you want to cook food for 2 minutes.

1. Press the START/QUICK START button 4 times, the oven will automatically start to cook your food.
2. When the food has finished cooking, the system will sound beeps with END in display. And the beeps will continue to sound every two minutes automatically until the door is opened or the any button is pressed.

### Auto Cook

There are 8 auto menus you can use for easy cooking. To access the menus, press the AUTO COOK button. For guide lines, please see below Auto Menus chart.

1. Place the food in a container suitable for use with microwave ovens, and put it into the oven.
2. Choose the 'AUTO COOK' menu you want by pressing the 'AUTO COOK' button. The 'AUTO' symbol will be displayed. Press the 'AUTO COOK' button a number of times to choose your menu.
3. Press the WEIGHT ADJUST button to indicate the number of servings or approximate weights of food you are about to cook.
4. Press the START/QUICK START button. The oven will now start to cook the food.
5. When the food has finished cooking the oven will beep to let you know and the word 'END' will be displayed.

For example: to cook 450g pizza.

1. Press AUTO MENU button to select the food code of pizza, which is 08 of the auto-menu.
2. Press WEIGHT ADJUST buttons to the desired weight 450g.
3. Press START/QUICK START button

**Note:** when using the Auto menus for weights and times, if food being cooked is between weights, please make sure that it is cooked thoroughly. It is advisable to stir and turn food where needed to ensure even cooking. Be sure to handle hot food with care.

## Hints

Do not cook, reheat or defrost foods directly on the turntable, always put the food into a suitable microwave container.

Do not cook foods such as meat from frozen, always defrost the foods first.

Where appropriate cover dishes with microwave safe cling film and pierce, this will retain the moisture and prevent splashing and spillages.

Always loosen lids before putting into the oven.

To distribute heat evenly, stir or shake foods halfway through cooking.

## Auto Cook Menu

AUTO MENU		NOTE
01	Milk/Coffee (each 200ml)	1. For items Milk/Coffee and Potatoes, the number displayed on the screen means the amount of the food. 2. The result of auto cooking depends on factors such as the shape and size of food, your personal preference as to the doneness of certain foods and even how well you happen to place food in the oven. If you find the result at any rate not quite satisfactory, please adjust the cooking time a little bit accordingly.
02	Rice (g)	
03	Pasta (g)	
04	Potatoes (each 230g)	
05	Auto Reheat (g)	
06	Fish (g)	
07	Popcorn (99g)	
08	Pizza (g)	

## Auto Defrost

The oven can be used to defrost food based on the weight you entered. The defrosting time and power level are adjusted automatically once the weight is programmed. The range weight of frozen foods varies between 100g and 1800g.

FOR EXAMPLE: If you want to defrost 600g of shrimp.

1. Place the shrimp to be defrosted into the oven.
2. Press AUTO DEFROST button once.
3. Press WEIGHT ADJUST button repeatedly to select the weight of shrimp.
4. Press START/QUICK START button.

Note: half way through the defrosting time the oven will beep and pause. This is to allow you to turn over the food for even defrosting. Turn over or rearrange the food and press the START/QUICK START button to resume defrosting. To defrost fatty meat, defrost intermittently until defrosted. Ice should be removed at all times.

## Multi-stage Cooking

Your oven can be programmed for up to 2 automatic cooking sequences.

If you want to set the following cooking program,

Microwave cooking  
(for 20 minutes at 100% power)



Microwave cooking  
(for 5 minutes at 40% power)

1. Input the first stage of microwave cooking program.
2. Input the second stage of microwave cooking program.
3. Press START/QUICK START button.

**Note:** Weight defrost, auto defrost, quick start cooking and auto cook can not be set in multi-stage cooking program.

### **Child Safety Lock**

This function is to prevent children from using the microwave oven. The CHILD LOCK indicator will show up on display screen, and the oven can not be operated while the CHILD LOCK is set.

To activate the child lock, press and hold the 'Lock/Unlock' button for 3 seconds. You will hear a beep and the LOCK symbol will be displayed.

To de-activate the child lock, press and hold the 'Lock/Unlock' button for 3 seconds. You will hear a beep and the LOCK symbol will disappear.

### **Timer**

The timer is used to set a countdown time for the convenience of the user, it can be used as a reminder.

1. Press TIMER.
2. Turn TIME knob to the length of time required.
3. Press START/QUICK START. The timer will now start to count down.

NOTE: The longest time that can be set to be counted down is 95 minutes. You can press TIMER button and then press STOP/CANCEL to cancel TIMER during timing process.

## CLEANING AND CARE

- Before you clean the microwave oven, turn it off and unplug it.
- Keep the inside of the oven clean. When food or liquids stick to the oven walls, wipe with a damp cloth. We recommend that you do not use harsh detergent or abrasives.
- On the right hand side wall of the cavity is the wave guide cover, microwaves are passed through this to enable your food to cook. It is important that this wave guide cover is kept clean at all times. To do this wipe with mild detergent and water, then dry.
- You should clean the outside of the oven with a damp cloth and polish dry with a soft dry cloth. Don't allow water to seep into the ventilation openings.
- Wipe the door and window on both sides, the door seals and adjacent parts frequently with a damp cloth to remove any spills or splatters. Do not use abrasive cleaner.
- Do not allow the control panel to become wet. Clean with a soft, damp cloth. Do not use detergents, abrasives or spray-on cleaners on the control panel.
- If steam builds up inside or around the outside of the oven door, wipe with a soft cloth. This may happen when the microwave oven is used in humid conditions.
- If the inside of the oven smells, put a cup of water with the juice and skin of one lemon in a deep microwave bowl. Microwave it for three minutes, wipe the cavity walls thoroughly and then dry with a soft cloth.
- Failure to maintain the oven in a clean condition, could lead to deterioration of the surface that could adversely affect the life of the appliance and possibly result in a hazardous condition.
- Regularly clean the turntable support and oven floor. Simply wipe the bottom surface of the oven with mild detergents and water, then dry. You can wash the turntable support in soapy water.
- Regularly remove the glass tray to clean it, and wash in warm soapy water.
- When removing the roller ring from the oven, make sure you put it back properly.
- Do not remove the waveguide cover on the inside wall of the cavity.
- The oven should be cleaned regularly and any food deposits removed.

## Problem solving

The microwave oven may cause interference to your radio, TV or similar equipment. If it does, you can get rid of the interference by moving the radio, TV or equipment as far away from your microwave oven as possible.

If the oven doesn't work, if the display does not appear or if the display has disappeared

- Make sure the oven is plugged in securely. If it is not, remove the plug from the socket, wait 10 seconds and plug it in again securely.
- Check the premises for a blown circuit fuse or a tripped main circuit breaker. If these seem to be working properly, test the socket with another appliance.

If the microwave power will not work

- Make sure the door is securely closed. Otherwise, the microwave energy will not flow into the oven.

## Important utensil information

- Do not use metal pans or dishes with metal handles.
- Do not use anything with a metal trim.
- Do not use paper covered wire twist-ties on plastic bags.
- Do not use melamine dishes as they contain a material which will absorb microwave energy. This may cause the dishes to crack or burn, and will slow down the cooking speed.
- Use only cookware that is approved to be used in a microwave oven.
- Do not cook using a container with a restricted opening, such as bottles, as they may explode.
- Do not heat baby bottles with the teat left on and remove the teat if replacing the bottle back into the oven.
- Only use thermometers that are approved for microwave ovens.
- Do not use the microwave oven for heating utensils.





## Connection to the mains supply

### WARNING- THIS APPLIANCE MUST BE EARTHED

This appliance is designed to operate from a mains supply of AC 230-240V/50Hz  
Check that the voltage marked on the product corresponds with your supply voltage.

This product is fitted with a 13A plug complying with BS1363.

If this plug is unsuitable or needs to be replaced, please note the following: Important: The wires in the mains lead are Coloured in accordance with the following code:

GREEN/YELLOW-EARTH

BLUE-NEUTRAL

BROWN-LIVE

For UK use only – Plug fitting details (where applicable):

As the colours of the wires in the mains lead of this appliance may not correspond with the coloured markings identifying the terminals in your plug, proceed as follows:

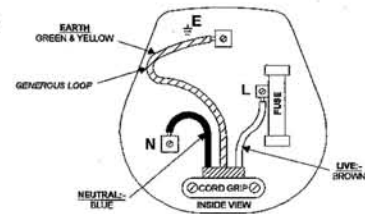
The GREEN/YELLOW wire is the EARTH and must be connected to the terminal which is marked with the letter E or by the earth symbol  $\oplus$  or coloured GREEN or GREEN/YELLOW.

The BLUE wire is the NEUTRAL and must be connected to the terminal marked with the letter N or coloured BLACK.

The BROWN wire is the LIVE wire and must be connected to the terminal marked with the letter L or coloured RED.

Always ensure that the plug cord grip is fastened correctly.

If a 13A (BS1363) fused plug is used it must be fitted with a 13amp fuse conforming to BS1362 and be BSI or ASTA approved.



## Non-rewireable mains plug

If your appliance is supplied with a non-rewireable plug fitted to the mains lead you will find that it incorporates a fuse, the value of which is indicated either on the base of the plug or on the fuse carrier. Should the fuse need replacing, you must use an ASTA approved fuse (conforming to BS1362) of the same rating. If the fuse cover is lost the plug must not be used until a replacement is obtained from an electrical supplier. If you need to remove the plug, cut it from the mains lead and dispose of it. Never attempt to re-use this plug or insert it into a socket outlet, as there is a very great risk of an electric shock.

### SPECIFICATIONS:

Rated voltage:	230-240V/50Hz
Operating frequency:	2,450MHz
Power output:	900W
Outside Dimensions:	483mm(W) x 398mm (D) x 281mm(H)
Oven capacity dimensions	340mm(W) x 320mm (D) x 220mm(H)
Oven Capacity:	23 Litres
Weight:Approx.	13.6kg

## **Important:**

**For expert product advice,  
please phone the  
Russell Hobbs  
Helpline on**

**0844 8793277**

**Monday – Thursday: 9am until 5pm**

**Friday: 9am until 4pm**

**Or send your enquiries through email to  
microwaves@russellhobbs.co.uk**



Revision 1

This symbol is known as the 'Crossed-out Wheelie Bin Symbol'. When this symbol is marked on a product, it means that the product should not be disposed of with your general household waste. Only discard electrical/electronic items in separate collection schemes, which cater for the recovery and recycling of materials contained within. Your co-operation is vital to ensure the success of these schemes and for the protection of the environment.

We reserve the right due to possible changes to design to alter the instruction manual without prior notice.

## Free Manuals Download Website

<http://myh66.com>

<http://usermanuals.us>

<http://www.somanuals.com>

<http://www.4manuals.cc>

<http://www.manual-lib.com>

<http://www.404manual.com>

<http://www.luxmanual.com>

<http://aubethermostatmanual.com>

Golf course search by state

<http://golfingnear.com>

Email search by domain

<http://emailbydomain.com>

Auto manuals search

<http://auto.somanuals.com>

TV manuals search

<http://tv.somanuals.com>