



Russell Hobbs

23 Litre Digital Microwave

Instruction Manual



Model Number: RHM2506

Please read these instructions carefully
and keep them for future reference

For Customer Services & Spare Parts please call
01204 664 084

Opening times: Monday – Friday
9am – 5pm

Contents

	Page
About this microwave oven	3
Safety instructions.....	4
Microwave oven Installation.....	5
Feature diagram.....	6
Connection to the mains supply.....	6
Control panel.....	7
Operating instructions.....	8
Setting the clock.....	8
Microwave cooking.....	8
Grill Cooking.....	9
Combination Cooking I.....	9
Convection Cooking II.....	10
Micro+ Convection.....	11
Jet defrost.....	11
Multi-Stage Cooking.....	11
Auto Cooking Menu.....	12
Quick Start.....	13
System protection.....	13
Child safety lock.....	13
Cleaning and care.....	14
Problem solving.....	15
Important utensil information.....	15
Non-rewireable mains plug.....	16
Specification.....	17

About this microwave oven

Microwaves are high-frequency electromagnetic waves similar to radio waves. While radio waves may vary in length from one metre to many kilometres, microwaves are very short (less than 12.5 centimetres). Microwaves do not make any heat themselves but only cause water molecules in food to vibrate. This vibration produces the heat that cooks the food. This is why your food will come out of the microwave piping hot, when your utensils inside the oven stay much cooler. The microwaves do not stay in the air or in the food when you open the microwave oven door.

The microwave oven will work using an ordinary household electrical socket. Inside the microwave oven is the magnetron, which turns the electrical energy into microwaves. Microwaves cannot go through metal, so the inside of the oven is lined with metal. The door is lined with a fine metal mesh which stops microwaves getting through. This means that when the microwave oven door is shut, there is no possibility that microwaves can be released. This is why the microwave oven has been made so that it will not work when the door is open.

Before you use your microwave oven

- 1 Remove all the packaging. **Do not remove** the small piece of card from the right hand side of the cavity wall. This is called a wave-guide cover and allows the microwaves to pass through to cook the food.
- 2 Check the oven after unpacking for any visual damage such as:
 - A misaligned door
 - Damage to the door
 - Dents or holes in the door window and screen
 - Dents in the inside

If you can see any damage do not use the oven

Safety instructions

Warning: this oven must be positioned so that the plug is accessible and the plug socket is within easy reach of the power cord.

Warning: only allow children to use the oven without supervision when adequate instructions have been given so that the child is able to use the oven in a safe way and understands the hazards of improper use.

- Children should be supervised to ensure they do not play with the appliance, and the appliance and cable should be kept completely out of reach of young children.
- This appliance is not designed for use by children, or persons with reduced physical, sensory or mental capabilities, and should not be used by such persons unless they can do so safely. Where necessary, such persons (or anyone with lack of experience or knowledge) should first be given supervision or instruction concerning use of the appliance by a person responsible for their safety.

Warning: it is hazardous for anyone other than a competent person to carry out any service or repair operation which involves the removal of a cover which gives protection against exposure to microwave energy.

Warning: if the door or door seals are damaged, the oven must not be operated until it has been repaired by a competent person. The door seals are located around the window on the inside of the door. These seals are not airtight, although no microwaves can be released; it is normal for small amounts of air or steam to escape when the oven is in use.

Warning: liquids and other foods must not be heated in sealed containers, as they are liable to explode.

- Do not operate the microwave if damaged or after it malfunctions. In the event the supply cord is damaged, it must only be replaced by a qualified service engineer, with a suitably approved part.
- Keep the microwave, cable and plug dry, never immerse in water.
- When heating food in plastic or paper containers, keep an eye on the oven due to the possibility of ignition
- Only use the oven for preparing food. For example do not use for drying clothes, paper or any other non-food items, or for sterilising purposes.
- To avoid damaging the oven, do not use the oven when the cavity is empty. The oven may be empty (used as a timer) with the power set to zero
- Do not use the oven when it is empty. This could damage the oven.
- Do not store anything in the oven, such as papers, cookbooks and so on.
- Do not cook any food surrounded by a membrane, such as egg yolks, potatoes, chicken livers, ready meals and so on without piercing them several times with a fork.
- Eggs in their shell and whole hard-boiled eggs should not be heated in microwave ovens since they may explode, even after microwave heating has ended.
- Never cover the air vents or put any objects into the openings in the outer case.
- Never remove parts from the oven such as the feet, screws and so on.
- Only use utensils recommended in these instructions
- Do not try to deep-fry foods in this oven.
- Heat from the contents of a container may be transmitted to the container itself, so please be careful when removing it from the oven. Please remember that the food or liquid inside will be releasing some steam or will be spitting. Never cover any container fully, always leave a gap for steam to escape.
- Cooking utensils may become hot because of heat transferred from the heated food. This is especially true if plastic wrap has been covering the top and handles of the utensil. You may need oven gloves to handle the utensil.

- In order to avoid burns, the contents of feeding bottles and baby food jars shall be stirred or shaken and the temperature checked before consumption.
- Always test the temperature of cooked food, never eat or drink food or liquid straight from the oven, allow it to stand for a few minutes and stir to distribute the heat evenly.
- Microwave heating of beverages can result delayed eruptive boiling, therefore care must be taken when handling the container.
- Food containing a mixture of fat and water (for example, stock) should stand for 30 to 60 seconds in the oven after it has been turned off. This is to allow the mixture to settle and to prevent it from bubbling when a spoon is placed in it, or a stock cube is added.
- When heating or cooking food or liquid, remember that there are certain foods (such as Christmas puddings, jam and mincemeat), which heat up very quickly.
- When heating or cooking foods that contain a lot of fat or sugar, do not use plastic containers.
- Always have the glass tray and turntable support in place when using the oven.
- Do not cook food directly on the glass tray. Put food on a suitable plate or in a bowl before putting it in the oven.

To reduce the risk of fire in the oven cavity:

- Do not overcook food
- Do not leave the microwave oven unattended while you are using it
- Remove wire twist-ties from bags before putting the bag in the oven
- If materials inside the oven catch fire, keep the oven door closed, turn the oven off at the wall switch, or shut the power off at the fuse or circuit-breaker panel

FOOD SAFETY

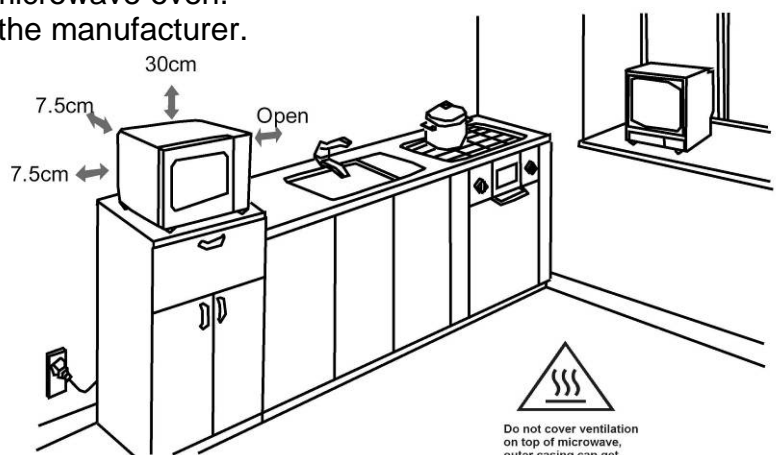
- Do not cook raw meat or raw shellfish in a microwave, due to the possibility for uneven heating.
- Do not use the microwave oven for home canning or bottling. Improperly canned or bottle foods may spoil and be dangerous to eat.
- Follow cooking instructions on food packaging and always check the temperature of food before serving.

Microwave oven installation

Warning: do not install the oven over a cooker or other heat producing appliance. This will damage the oven. The oven must be placed away from high temperatures and steam.

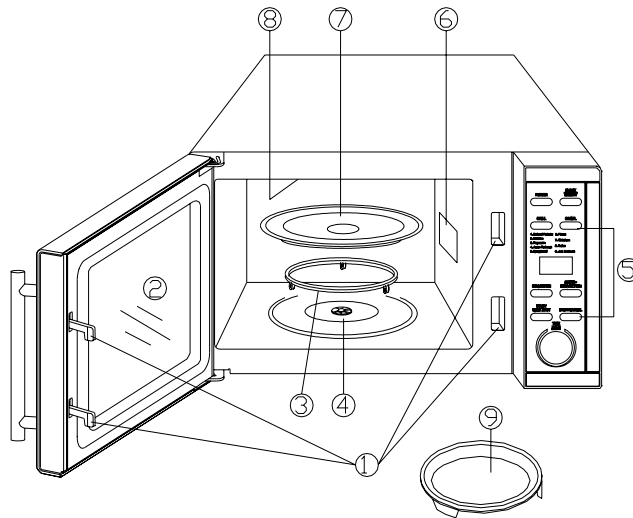
- This microwave oven weighs approximately 12kg so you must put it on a horizontal surface that is strong enough to support this weight.
- This microwave is designed to be free standing and is not intended to be used 'built in' or in a cabinet.
- Do not put anything on the top of the microwave oven.
- Only use the accessories supplied by the manufacturer.

1. Select a level surface that provides enough space for the outlet vents.
2. A minimum clearance of 3 inches (7.5cm) is required between the oven and any adjacent walls. One side must be open. Leave a minimum clearance of 12 inches (30cm) above the oven.
3. Place the oven as far away from radios and TV's as possible. Using the oven may cause interference with the reception.



4. Plug the oven into a suitable 13amp mains socket, make sure the voltage is the same as on the rating label (do not use extension cables or mains socket adaptors).

Feature diagram



- 1 Door safety lock system
- 2 Oven window
- 3 Roller Ring
- 4 Shaft
- 5 Control Panel
- 6 Wave guide cover (do not remove)
- 7 Glass tray
- 8 Grill Heater
- 9 Mental Rack

Connection to the mains supply

WARNING - THIS APPLIANCE MUST BE EARTHED

This appliance is designed to operate from a mains supply of AC230-240V ~ 50HZ. Check that the voltage marked on the product corresponds with your supply voltage. This product is fitted with a 13A plug complying with BS1363.

If this plug is unsuitable or needs to be replaced, please note the following:

Important: The wires in the mains lead are coloured in accordance with the following code:

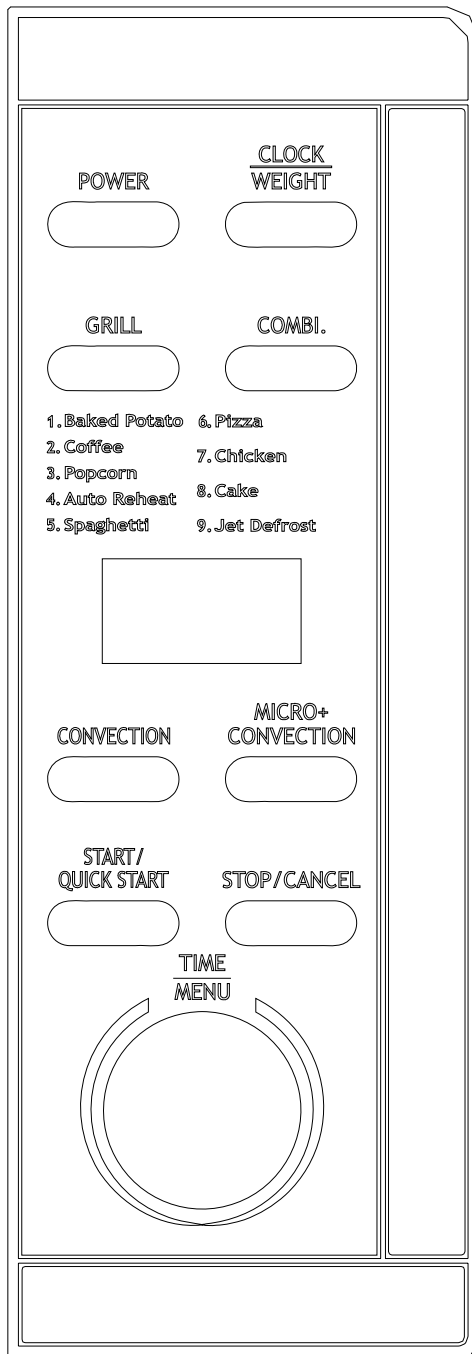
GREEN/YELLOW-EARTH

BLUE-NEUTRAL

BROWN-LIVE



Control panel



- **MENU ACTION SCREEN**

Cooking time, power, action indicators, and clock time are displayed.

- **POWER**

Touch this button to set microwave cooking power level.

- **GRILL**

Press this button to set a grill-cooking program up to 95 minutes.

- **CLOCK/WEIGHT**

Touch this button to set the oven clock.

After choosing an auto-cooking menu, use it to specify food weights or number of servings.

- **COMBI.**

Press to select one of two combination cooking settings of microwave and grill.

- **TIME/MENU**

Turn the dial to set the oven clock time and input cooking time.

Turn the TIME/MENU dial to select an auto-cooking menu including auto defrost.

- **CONVECTION**

Press to program convection cooking

- **MICRO+CONVECTION**

Press to select one of four combination cooking settings.

- **START/QUICK START**

Touch to start a cooking program.

Simply touch it a number of times to set cooking time and cook immediately at full power level.

- **STOP/CANCEL**

Press to cancel setting or reset the oven before setting a cooking program.

Press once to temporarily stop cooking, or twice to cancel cooking altogether.

It is also used for setting child lock.

For Customer Services & Spare Parts please call **01204 664 084** Opening times: Monday – Friday 9am – 5pm

Operating instructions

Connect the main plug into a suitable 13amp mains socket, make sure the voltage is the same as on the rating label (do not use extension cables or mains adaptors).

Each time a button is pressed, a beep will sound to acknowledge the press. After a cooking program finish, the system will sound beeps with END on display. And the beeps will continue to sound every two minutes automatically until the door is opened or PAUSE/CANCEL button is pressed, the system return to standby mode.

SETTING THE CLOCK

This is a 12 and 24 hour clock; you can press the CLOCK/WEIGHT button once or twice to select it.

FOR EXAMPLE: Suppose you want to set the oven clock time to 8:30.

1. Press CLOCK/WEIGHT button once or twice.
2. Turn TIME/MENU to set 8 o'clock.
3. Press CLOCK /WEIGHT button.
4. Turn TIME/MENU to set 30 minutes.
5. Press CLOCK/WEIGHT to confirm the setting.

Note: you can press CLOCK/WEIGHT button to check the clock during cooking.

MICROWAVE COOKING

For microwave cooking, press the POWER button to select a cooking power level, and then use the TIME/MENU dial to set a desired cooking time. The longest cooking time is 95 minutes.

Select power level by pressing the POWER button.

Press POWER	Power	Description
once	100%(P100)	High
twice	90%(P-90)	
3 times	80%(P-80)	
4 times	70%(P-70)	Medium High
5 times	60%(P-60)	
6 times	50%(P-50)	Medium
7 times	40%(P-40)	
8 times	30%(P-30)	Med. Low/Defrost

For Customer Services & Spare Parts please call **01204 664 084** Opening times: Monday – Friday 9am – 5pm

9 times	20%(P-20)	
10 times	10%(P-10)	Low
11 times	0%(P-00)	

For example, suppose you want to cook for 10 minute at 60% of microwave power.

1. Press STOP/CANCEL button to reset the oven.
2. Press POWER button to set 60%.the display shows "MICRO"
3. Turn TIME/MENU to 10:00,the display shows "ENTER","MICRO""TIME"
4. Press START/QUICK START button.

Note: You can check the power level during cooking by pressing POWER.

GRILL COOKING

The longest cooking time is 95 minutes. The grill cooking is particularly useful for thin slices of meat, steaks, chops, kebabs, sausages of piece of chicken. It is also suitable for hot sandwiches and au gratin dishes.

For example, suppose you want to grill for 12 minutes.

1. Press STOP/CANCEL button.
2. Press GRILL button, the display shows "ENTER"," GRILL","TIME" and " : ".
3. Turn the TIME/MENU to 12:00.
4. Press START/QUICK START button, the display shows "GRILL"、 "COOK"

COMBINATION COOKING I

This feature allows you to combine grill and microwave cooking on two different settings. The longest cooking time is 95 minutes.

During cooking, you can see the programmed setting by pressing COMBI. Button

COMBINATION 1

Use for fish or au gratin.

FOR EXAMPLE: Suppose you want to set combination 1 cooking for 25 minutes.

1. Press STOP/CANCEL button.
2. Press COMBI. Button once.
3. Turn TIME/MENU to 25:00.
4. Press START/QUICK START button.

For Customer Services & Spare Parts please call **01204 664 084** Opening times: Monday – Friday 9am – 5pm

COMBINATION2

Use for pudding, omelets, baked poultry.

FOR EXAMPLE: Suppose you want to set combination 2 cooking for 12 minutes.

1. Press STOP/CANCEL button.
2. Press COMBI. Button twice.
3. Turn TIME/MENU to 12:00.
4. Press START/QUICK START button

CONVECTION

The maximum cooking time is 95 minutes.

During convection cooking, hot air is circulated throughout the oven cavity to crisp foods quickly and evenly. This oven can be programmed for ten different cooking temperatures (110°C~200°C) .

To Cook with Convection

Press CONVECTION button to set convection temperature, the displays shows "CONV" and "selected temperature"

Suppose you want to cook at 160°C for 40 minutes.

1. Press CONVECTION button to select temperature.
2. Rotate the TIME/MENU dial until the correct cooking time is displayed.
3. Press START/QUICK START button.

Note:

You can check the convection temperature while cooking is in progress by pressing the CONVECTION button.

To Preheat and Cook with Convection

Your oven can be programmed to combine preheating with convection cooking operations.

Suppose you want to preheat to 150°C and then cook 30 minutes.

1. Press CONVECTION button to select temperature, the displays shows "CONV", "COOK" and "PREH" flashing
2. Press START/QUICK START button. When the oven reaches the programmed temperature, beep will sound and "PREH" stop flashing
3. Open the door and place container of food at the center of the turntable.
4. Rotate the TIME/MENU dial until the correct cooking time is displayed. the displays shows "ENTER", "TIME", "CONV" and "·."

For Customer Services & Spare Parts please call **01204 664 084** Opening times: Monday – Friday 9am – 5pm

5. Press START/QUICK START button.

Note:

When the oven reaches the preheat temperature, the system will sound DE- every 5 seconds. If there is no any operation within 30 minutes, the system will display End.

MICRO + CONVECTION

The maximum cooking time is 95 minutes.

This oven has four pre-programmed settings that make it easy to cook with both convection heat and microwave automatically.

Press MICRO+CONVECTION button to select convection temperature:

Press	Oven temperature(°C)
once	200
twice	170
3 times	140
4 times	110

Suppose you want to bake food for 26 minutes with 170°C.

1. Press MICRO +CONVECTION button to select temperature, the displays shows "MICRO"and "CONV""
2. Rotate the TIME/MENU dial until the correct cooking time is displayed.
3. Press START/QUICK START button to start, the display shows "MICRO", "CONV" and " COOK"

Note:

You can check the combination cooking power while cooking is in progress by pressing the MICRO+CONVECTION button.

JET DEFROST

Suppose you want to defrost frozen food for five minutes.

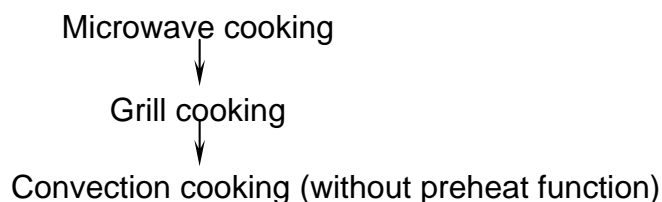
1. Rotate the TIME/MENU dial in anti-clockwise direction until "9" and "CODE" are displayed.
2. Press CLOCK/WEIGHT button once, the display shows "DEF"、 "ENTER"、 "TIME" and " :10 "
3. Rotate the TIME/MENU dial to enter the defrosting time.
4. Press START/QUICK START.

Note: After defrosting 2/3 time the system will sound to remind you to turn over the food and pause until you press the button START/QUICK START to enter into the next defrosting stage, and the system resume. The longest defrosting time you can set is 95 minutes.

For Customer Services & Spare Parts please call **01204 664 084** Opening times: Monday – Friday 9am – 5pm

MULTI-STAGE COOKING

Your oven can be programmed for up to 3 automatic cooking sequences. Suppose you want to set the following cooking program.



Steps:

1. Enter the first stage of a microwave cooking program.
2. Enter the second stage of a grill cooking program.
3. Enter the third stage of a convection cooking program.
4. Press START/QUICK START button.

Note:

1. QUICK START cannot be set into multi-stage cooking program.

If the cooking stages are 2 stage or 3 stage, MEM will appears in display.

AUTO COOK MENU

For food or the following cooking mode, it is not necessary to program the time and the cooking power. It is sufficient to indicate the type of food that you want to cook as well as the weight of this food.

1. In standby mode, rotate the digital knob TIME/MENU in anti-clockwise direction once and then rotate it in another direction to select food code to specify the food to be cooked.
2. Press CLOCK/WEIGHT to enter the food weight or the number of serving.
3. Press START/QUICK START.

Code	Food	
1	Potato (230g/unit)	1. The user is required to set weight by pressing CLOCK/WEIGHT button, then the system will set the cooking time automatically. 2. The result of auto cooking depends on factors such as the shape and size of food, your personal preference as to the doneness of certain foods and even how well you happen to place food in the oven. If you find the result at any rate not quite satisfactory, please adjust the cooking time a little bit accordingly. 3. For food 7 (meat), beeps can be heard during cooking to remind user to turn food over for better cooking effort, then press START/QUICK START to resume.
2	Beverage (200ml/cup)	
3	Popcorn (99g)	
4	Reheat (g)	
5	Spaghetti (g)	
6	Pizza (g)	
7	Meat (g)	
8	Cake (475g)	

For Customer Services & Spare Parts please call **01204 664 084** Opening times: Monday – Friday 9am – 5pm

QUICK START

Use this feature to program the oven to microwave food at 100% power conveniently.

Press START/QUICK START button in quick succession to set the cooking time. The oven will auto-start immediately. The longest time you can set is 10 minutes.

SYSTEM PROTECTION

Overheating protection

During cooking, when the temperature of the cavity reaches over 300 °C, the display will show E-1 with buzzer sounding, after eliminating the problem, press the STOP/CANCEL button, the system resume to normal.

Sensor malfunction protection

In case of short or open circuit, the system enters into malfunction protection.

The display shows E-3 with buzzer DE-DE until pressing the STOP/CANCEL button, the oven will be back to normal.

Cooling Feature

The controlling system of the microwave oven has the feature of cooling. As for any cooking mode which cooking time above 2 minutes, after cooking, the oven fan will work about 3 minutes automatically to cool the oven for prolonging the life of the oven.

CHILD PROOF LOCK

The child proof lock prevents unsupervised operation by little children.

To set the child proof lock: Press STOP/CANCEL button for 3 seconds, then a beep will sound and the indicator light will turn on. In the lock state, all buttons are disabled.

To cancel the child proof lock: Press STOP/CANCEL button for three seconds, then a beep will sound and the indicator light will turn off.

For Customer Services & Spare Parts please call **01204 664 084** Opening times: Monday – Friday 9am – 5pm

Cleaning and Care

Failure to maintain the oven in a clean condition, could lead to deterioration of the surface that could adversely affect the life of the appliance and possibly result in a hazardous condition. The oven should be cleaned regularly and any food deposits removed.

- Before you clean the microwave oven, turn it off and unplug it.
- Keep the inside of the oven clean. When food or liquids stick to the oven walls, wipe with a damp cloth. We recommend that you do not use harsh detergent or abrasives.
- On the right hand side wall of the cavity is the wave guide cover. Microwaves are passed through this cover to enable your food to cook. It is important that the wave guide cover is kept clean at all times. To do this wipe with mild detergents and water, then dry. Do not remove the waveguide cover.
- You should clean the outside of the oven with a damp cloth and polish dry with a soft dry cloth. Do not allow water to seep into the ventilation openings.
- Wipe the door and window on both sides, the door seals and adjacent parts frequently with a damp cloth to remove any spills or splatters. Do not use an abrasive cleaner.
- Do not allow the control panel to become wet. Clean with a soft, damp cloth. Do not use detergents, abrasives or spray-on cleaners on the control panel.
- If steam builds up inside or around the outside of the oven door, wipe with a soft cloth. This may happen when the microwave oven is used in humid conditions.
- If the inside of the oven smells, put a cup of water with the juice and the skin of one lemon in a deep microwave bowl. Microwave it for three minutes, wipe the cavity walls thoroughly and then dry with a soft cloth.
- Regularly clean the turntable support and oven floor. Simply wipe the bottom surface of the oven with mild detergents and water, and then dry. You can wash the turntable support in soapy water. Check that it is correctly fitted after cleaning.
- Regularly remove the glass tray to clean it, and wash in warm soapy water.
- Do not remove the waveguide cover on the inside wall of the cavity.

Problem solving

The microwave oven may cause interference to your radio, TV or similar equipment. If it does, you can get rid of the interference by moving the radio, TV or equipment as far away from your microwave oven as possible.

If the oven doesn't work, if the display does not appear or if the display has disappeared

- Make sure the oven is plugged in securely. If it is not, remove the plug from the socket, wait 10 seconds and plug it in again securely.
- Check the premises for a blown circuit fuse or a tripped main circuit breaker. If these seem to be working properly, test the socket with another appliance.

If the microwave power will not work

- Make sure the door is securely closed. Otherwise, the microwave energy will not flow into the oven.

Important utensil information

- Use only cookware that is approved to be used in a microwave oven.
- Do not use metal pans or dishes with metal handles.
- Do not use anything with a metal trim.
- Do not use paper covered wire twist-ties on plastic bags.
- Do not use melamine dishes as they contain a material, which will absorb microwave energy. This may cause the dishes to crack or burn, and will slow down the cooking speed.
- Do not cook using a container with a restricted opening, such as bottles, as they may explode.
- Do not heat baby bottles with the teat left on and remove the teat if replacing the bottle back into the oven.
- Only use thermometers that are approved for microwave ovens.
- Do not use the microwave oven for heating utensils.

Non-rewireable mains plug

If your appliance is supplied with a non-rewireable plug fitted to the mains lead you will find that it incorporates a fuse, the value of which is indicated either on the base of the plug or on the fuse carrier. Should the fuse need replacing, you must use an ASTA approved fuse (conforming to BS1362) of the same rating. If the fuse cover is lost the plug must not be used until a replacement is obtained from an electrical supplier. If you need to remove the plug, cut it from the mains lead and dispose of it. Never attempt to re-use this plug or insert it into a socket outlet, as there is a very great risk of an electric shock.

SPECIFICATIONS:

Rated voltage:	230-240V~50Hz,
Operating frequency:	2,450MHz
Microwave input:	1200W
Power output:	900W 1000W (Grill) 1950W (Convection)
Outside Dimensions:	281mm x 483mm x 422mm
Oven capacity dimensions	220mm x 340mm x 344mm
Oven Capacity:	25 Litres
Weight:	Approx. 16kg

For Customer Service and
Spare Parts please call

01204 664 084

Opening times:

Monday – Friday

9am until 5pm

Revision 1



This symbol is known as the 'Crossed-out wheellie bin Symbol'. When this symbol is marked on a product/batteries, it means that the product/batteries should not be disposed of with your general household waste. Only discard electrical/electronic/battery items in separate collection schemes, which cater for the recovery and recycling of materials contained within. Your co-operation is vital to make sure the success of these schemes and for the protection of the environment. For your nearest disposal facility, visit www.recycle-more.co.uk or ask in store for details.

We reserve the right due to possible changes to design to alter the instruction manual without prior notice.

Free Manuals Download Website

<http://myh66.com>

<http://usermanuals.us>

<http://www.somanuals.com>

<http://www.4manuals.cc>

<http://www.manual-lib.com>

<http://www.404manual.com>

<http://www.luxmanual.com>

<http://aubethermostatmanual.com>

Golf course search by state

<http://golfingnear.com>

Email search by domain

<http://emailbydomain.com>

Auto manuals search

<http://auto.somanuals.com>

TV manuals search

<http://tv.somanuals.com>