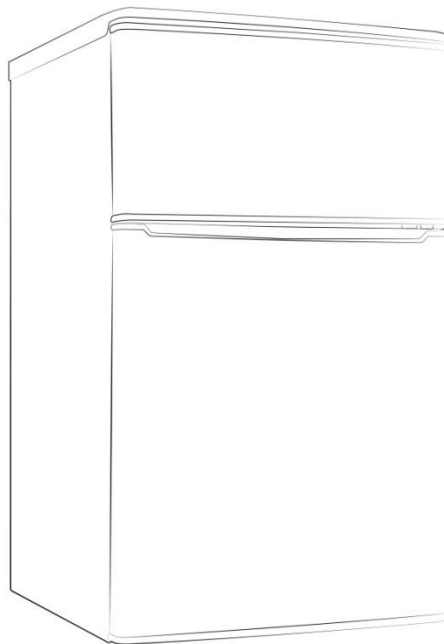




# Russell Hobbs

## 48cm Under Counter Fridge Freezer

### Instruction Manual



**Model number: RHUCFF48(B)**

For Customer Services & Spare Parts please call **0845 208 8750**  
Opening times: Monday - Friday 8am – 6pm & Saturday 9am – 1pm or visit  
us at **[www.productcareuk.com](http://www.productcareuk.com)**

# Contents

<b>Before using the appliance</b>	.....	<b>3</b>
<b>Safety Instructions</b>	.....	<b>3</b>
<b>Conformity Information</b>	.....	<b>3</b>
<b>Before switching on</b>	.....	<b>4</b>
<b>Unit &amp; Spare Parts</b>	.....	<b>4</b>
<b>Transportation &amp; Handling</b>	.....	<b>5</b>
<b>Positioning</b>	.....	<b>5</b>
<b>Door reversal &amp; Bulb replacement</b>	.....	<b>6</b>
<b>Appliance Safety</b>	.....	<b>7</b>
<b>Electrical Safety</b>	.....	<b>7</b>
<b>Installation</b>	.....	<b>8</b>
<b>How to use</b>	.....	<b>9</b>
<b>Temperature selection</b>	.....	<b>9</b>
<b>Power Failure</b>	.....	<b>10</b>
<b>Storage Advice</b>	.....	<b>10</b>
<b>Cleaning &amp; Maintenance</b>	.....	<b>10</b>
<b>Defrosting</b>	.....	<b>11</b>
<b>Internal Cleaning</b>	.....	<b>11</b>
<b>External Cleaning</b>	.....	<b>11</b>
<b>When not in Use</b>	.....	<b>11</b>
<b>Trouble shooting</b>	.....	<b>12</b>
<b>Important notes</b>	.....	<b>14</b>
<b>Connection to the mains</b>	.....	<b>15</b>

## Safety Instructions

### Before using the appliance

#### Safety Instructions

- This model contains R600a refrigerant (the coolant isobutane), a natural gas that is very environmentally friendly but also combustible. When transporting and installing the unit care must be taken to ensure that none of the refrigeration circuit components become damaged. In the event of damage avoid any naked flames or any sources of ignition and ventilate the room in which the unit is placed for a few minutes.

**Warning:** *Keep the ventilation openings in the appliance enclosure, clear of obstruction.*

- Do not use mechanical devices or other artificial means to accelerate the defrosting process.
- Do not use electrical appliances in the freezer appliance.
- If this appliance is to replace an old refrigerator with a lock; break or remove the lock as a safety measure before storing it, to protect children from locking themselves inside.
- Old refrigerators and freezers contain insulation gases and refrigerant, which must be disposed of properly. Entrust the disposal of a scrap unit categorically to the competence of your local waste disposal service and contact your local authority or your dealer if you have any questions. Please ensure that the pipe of work of your refrigerating unit does not get damaged prior to being picked-up by the relevant waste disposal service.

#### Important note:

Please read this booklet before installing and switching on this appliance. The manufacturer assumes no responsibility for incorrect installation and usage as described in this booklet.

**Caution: Risk of fire** – do not store flammable liquid or other flammable material in this refrigerator.

For Customer Services & Spare Parts please call **0845 208 8750**  
Opening times: Monday - Friday 8am – 6pm & Saturday 9am – 1pm or visit us at  
**[www.productcareuk.com](http://www.productcareuk.com)**

## Important information

### Before Switching On

- Wait 4 hours before plugging in the appliance in to the mains supply to ensure optimum performance, this allows the refrigerant to settle.
- There may be an odour when you first switch on the appliance, it will disappear when the appliance starts to cool.

### Unit Parts

Before installation, check that all parts listed below are present. If any parts are missing, please contact the product care service team on **0845 2088750**.

## Unit & Spare Parts

**For the following spares please contact the customer service team on  
0845 208 8750 or visit [productcareuk.com](http://productcareuk.com)**

Item	Quantity
Vegetable crisper	1
Steel shelf	1
Glass cover	1
Instruction Booklet	1

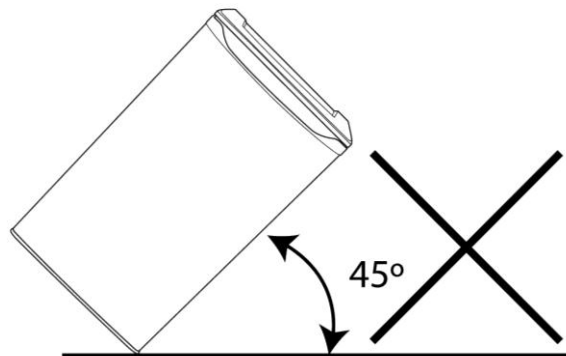
For Customer Services & Spare Parts please call **0845 208 8750**  
Opening times: Monday - Friday 8am – 6pm & Saturday 9am – 1pm or visit us at  
**[www.productcareuk.com](http://www.productcareuk.com)**

## Important information

### Transportation and Handing

For safe lifting, tilt the appliance backwards by no more than 45 degrees, hold the base and rear corners of cabinet. Lift the freezer carefully. Never use the door handles for lifting. To move the appliance on a flat level surface, tilt it slightly backwards onto the two rear rollers and push backwards.

**This unit is heavy and could cause injury – ensure there is sufficient person power to move the appliance. (actual fridge freezer is not pictured)**

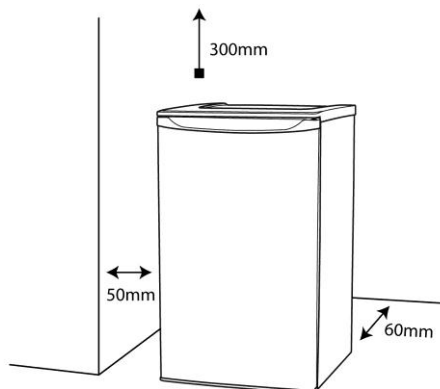


### Positioning

This appliance should only be placed on a flat, firm surface.

Choose a dry and well-ventilated space. No less than 5cm must be left around the sides to allow efficient cooling.

Choose a location away from a heat source, such as direct sunlight, a radiator or oven. The appliance should be positioned so that the plug is easily accessible.



## Door reversal & Bulb replacement

### Door reversal

Remove the screw covers on the top of the fridge freezer. There are two screws at the back of the lid and two at the front, remove all four screws. Remove the three screws on the top of the freezer door hinge. Remove the washer, nut and hinge pin.

Remove the freezer door.

Remove the two screws from the middle hinge and remove the fridge door.

Underneath the fridge, unscrew the adjustable foot, remove the three screws, the nut, the washer, the lower hinge, and the bottom hinge pin. Transfer these parts to the other side of the fridge, placing them in a symmetrical position to where they were removed. Build the hinges on the left side of the fridge freezer, as they were removed from the right side. Fit the lid to the top of the fridge freezer, replacing the four screws.

For assistance with this or any issues please contact the service team on **0845 208 8750**

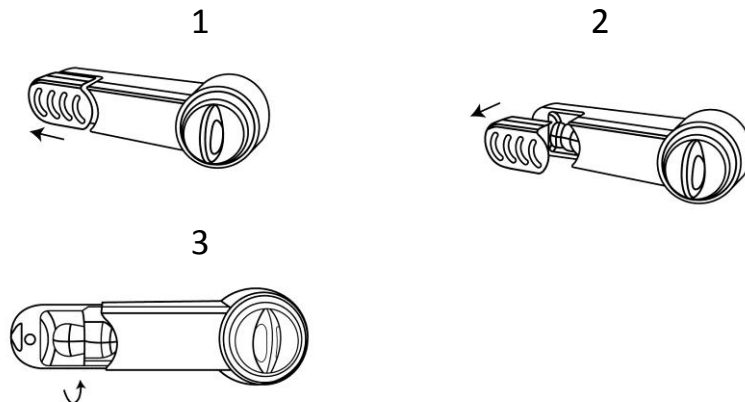
### Bulb replacement

To replace the internal refrigerator bulb the required rating is: **10W**.

Unplug the appliance

Remove bulb cover – see image 1 and 2 below

Unscrew the light bulb by turning anti-clockwise and replace with new bulb – see the image 3 below.



For Customer Services & Spare Parts please call **0845 208 8750**  
Opening times: Monday - Friday 8am – 6pm & Saturday 9am – 1pm or visit us at  
**[www.productcareuk.com](http://www.productcareuk.com)**

## Appliance safety

### Appliance Safety

This appliance is not intended for use by persons (including children) with reduced physical, sensory or mental capabilities, or lack of experience and knowledge, unless they have been given supervision or instruction concerning use of the appliances by a person responsible for their safety.

Children should be supervised to ensure that they do not play with the appliance.

If the supply lead is damaged it must be replaced by a qualified person using the correct lead, available from **0845 208 8750**.

Do not store chemicals or liquids such as methanol or petrol etc., which are easy to evaporate burn or explode.

Do not store heavy objects on top of the refrigerator and do not allow the refrigerator to become wet.

After turning off the electricity do not switch back on for at least five minutes, otherwise the compressor may be damaged.

To save energy, you should minimize the frequency and duration of door opening.

It is not recommended to use an extension lead to power this appliance.

The circuitry for the refrigerator should be isolated. The unit should always be plugged into its own plug socket and never into an extension lead.

The voltage of this products should be 220-240V,50Hz

Only ever remove the plug from the socket by gripping the plug firmly – do not pull the wire to remove the plug.

This appliance is not suitable for use by children.

### Electrical Safety

#### **THIS APPLIANCE MUST BE PLUGGED INTO AN EARTHED SOCKET**

Before switching on, make sure that the voltage of your electricity supply is the same as that indicated on the rating plate. This product is designed to operate on 220 – 240V AC; 50Hz, 120 W, 1A. Connection to any other power source may damage the unit.

This product may be fitted with a non re-wireable plug. If it is necessary to change the fuse in the plug, the fuse cover must be refitted. If the fuse cover becomes lost or damaged, the plug must not be used until a suitable replacement is obtained.

If the plug has to be changed because it is not suitable for your socket, or becomes damaged in any way, it should be cut off and an appropriate plug fitted following the wiring instructions below. This should be carried out by a qualified electrician. The plug removed must be disposed of safely, as insertion into a 13 Amp socket is likely to cause an electrical hazard.

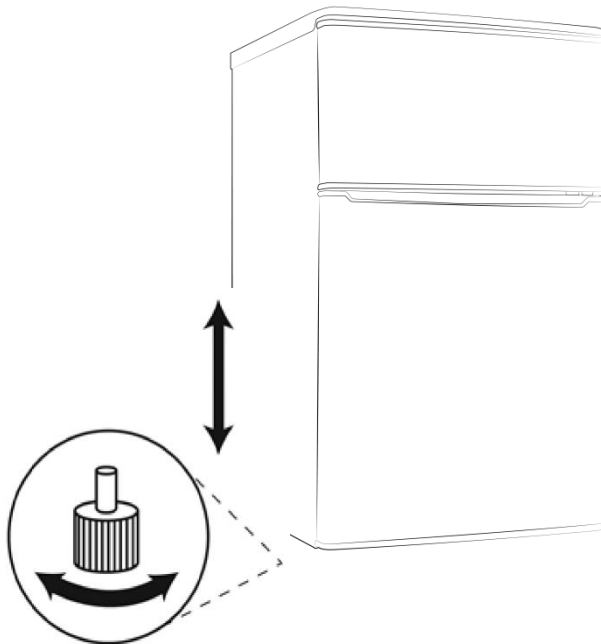
## Installation

### Installation

After installation, do not switch the power to the refrigerator on for at least 4 hours – the unit needs to stand. The unit should be kept away from direct sunlight. If the appliance is located on carpet, damage may be caused to the carpet due to heat being emitted from the unit.

Remove all transport tapes and foam protection pieces . Clean the interior of the freezer with a cloth dampened in lukewarm soap and water. Wipe with clear water and wipe dry. When the appliance has been positioned, adjust the two front feet to ensure the unit is stable. This is essential to ensure quiet running and proper door opening /closing. See below.

Once the appliance has been standing for 4 hours, plug in the freezer, locate the thermostat knob inside the compartment and set to “4” position and switch on the electricity . The compressor will begin to work. Close the door.



For Customer Services & Spare Parts please call **0845 208 8750**  
Opening times: Monday - Friday 8am – 6pm & Saturday 9am – 1pm or visit  
us at **[www.productcareuk.com](http://www.productcareuk.com)**



## How to use

**!** Allow to stand for a minimum of 4 hours before plugging in to the mains

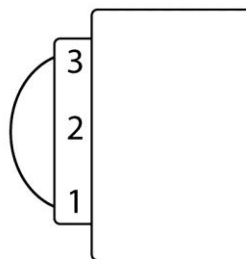
The temperature in the appliance is controlled by the temperature control knob located on the main body. Rotate the control knob left or right to regulate the temperature inside the freezer.

On the temperature control, 1 is the warmest setting and 7 is the coldest setting. Under normal conditions the temperature control should be set at '4'. Once the temperature control has been set, close the door and plug in the appliance. We recommend that the door is not opened for a minimum of 2.5 hours to allow the appliance to reach the standard operating temperature.

Note: The standard operating temperature for the freezer compartment should be between  $-18^{\circ}\text{C}$  and  $-25^{\circ}\text{C}$ .

### Temperature selection

The temperature of the freezer is controlled manually by the knob – see below. However the number shown on the knob does not correspond to a temperature. The larger the number, the lower the interior temperature will be. '0' represents 'off' and '4' represents normal use. 1 is the warmest setting and 7 is the coolest.



For Customer Services & Spare Parts please call **0845 208 8750**  
Opening times: Monday - Friday 8am – 6pm & Saturday 9am – 1pm or visit  
us at **[www.productcareuk.com](http://www.productcareuk.com)**

## How to use

### Power Failure

If there is a power failure during the storage of frozen foods, keep the door closed. If the temperature within your freezer should rise, do not refreeze the food without checking it's condition.

Ice Cream: Once thawed should be discarded.

Fruit and Vegetables: If soft should be cooked and used up.

Bread and Cakes: Can be refrozen without danger.

Shellfish: Should be refrigerated and used up quickly.

Cooked Dishes: i.e. casseroles should be refrigerated and used up.

Large Pieces of Meat: Can be re-frozen providing there are ice crystals remaining within them.

Small Joints: Should be cooked and then re-frozen as cooked dishes.

Chicken: Should be cooked and re-frozen as a fresh dish

### Storage Advice

Store fresh food in airtight boxes or wrap in bags or foil which is suitable for freezing.

Do not allow frozen food into direct contact with food to be frozen.

Pre frozen food must be place in the freezer as quickly as possible after purchasing.

To prevent frost damage to fresh vegetables or fruits they must be processed appropriately before being placed into the freezer compartment.

For Customer Services & Spare Parts please call **0845 208 8750**  
Opening times: Monday - Friday 8am – 6pm & Saturday 9am – 1pm or visit  
us at **[www.productcareuk.com](http://www.productcareuk.com)**

## Cleaning and maintenance

### To Defrost the Freezer

1. Try to use as much as possible of the food in the freezer, before defrosting. However, any food that is left, insulate to when defrosting.
2. Switch the appliance off at the wall socket and remove the plug.
3. Open the freezer door
4. Place a suitable container to collect the water created from the defrosted ice.
5. After defrosting, clean and dry the interior.
6. Switch the appliance on and replace any frozen food.

Defrosting can be speeded up by putting bowls of hot (not boiling) water in the freezer and loosening the frost with a suitable plastic scraper.

- ❗ **Never use sharp metal tools as it may damage the appliance.**
- ❗ **Never use an electrical heater, this may cause an electric shock.**

### Internal Cleaning

**Disconnect the appliance from the power supply before cleaning.**

Do not pour water over the appliance.

The cavity should be cleaned periodically using a solution of bicarbonate of soda and lukewarm water.

Clean the accessories separately with soap and water. Do not put them in the dishwasher. Do not use abrasive products, detergents or soaps. After washing, rinse with clean water and dry carefully. When the cleaning operations are complete, reconnect the plug with **dry hands**.

### External Cleaning

Wash the outer cabinet with warm soapy water. Do NOT use abrasive products.

There are sharp edges on the underside of the product so care should be taken when cleaning.

### When the Appliance is Not in Use

When the appliance is not in use for long periods, disconnect from the electricity supply, empty all of the food and clean the inside. Leave the door open to prevent the build-up of odours.

## Trouble shooting

### Trouble shooting

#### **If the appliance has stopped functioning completely:**

- Check the electrics in the location of the appliance.
- Check the plug has been correctly connected to the socket.
- Check the fuse in the plug.
- Are there any faults with the socket? For this purpose, try the plug of your refrigerator by connecting it to a socket which you are sure is working.

#### **If your freezer does not get cold enough:**

- Turn the Thermostat control further towards 7.
- Are the doors of your freezer opened very frequently and do they remain open for long periods of time? If so, reduce the frequency and length of time the doors are open for.
- Ensure the door is fully shut and the seal is making complete contact to the cabinet.
- Are any containers or dishes placed in your refrigerator contacting the back wall in such a way that they are obstructing the air circulation?
- Is your refrigerator over-filled?
- Check that there is a minimum of 2cm gap around the appliance.

#### **If the appliance is operating noisily:**

Occasionally the compressor will make some noise. This is perfectly normal and is part of the cooling process. This noise should also diminish periodically.

#### **If there is still noise:**

- Check the appliance is level. Use a spirit level if necessary. Adjust the feet at the front base of the appliance.
- Check there is nothing behind the appliance.
- If there is a vibrating sound from the shelves or the items placed on the shelves, rearrange the items so that they are more secure.

#### **Compressor Noise:**

- It is a normal engine noise. This noise indicates that the compressor is operating normally.
- As the compressor is being energized, it might run a bit more noisily for a short period of time.

For Customer Services & Spare Parts please call **0845 208 8750**  
Opening times: Monday - Friday 8am – 6pm & Saturday 9am – 1pm or visit  
us at **[www.productcareuk.com](http://www.productcareuk.com)**

## Trouble shooting

### **Bubbling and gurgling sound:**

- This noise is emitted as the coolant fluid flows through the pipes within the system. This is normal.

### **Water flowing sound:**

- This is the normal sound of water flowing into the drain trough during the defrosting process.

### **Heavy frost occurs on the back of the appliance**

Placing warm or humid food in the refrigerator can cause this problem. Ensure food is cooled first.

### **Climate Class Ambient Temperature (°C)**

**T** Between 16 and 43 (°C)

**ST** Between 16 and 38 (°C)

**N** Between 16 and 32 (°C)

**SN** Between 10 and 32 (°C)

### **Excessive moisture build up inside the refrigerator:**

- Check all food is covered and sealed. Check wet containers have not been placed in the appliance.
- Are the doors of the refrigerator opened very frequently? Once the door is opened, the humidity found in the air in the room enters the refrigerator. Especially if the humidity levels in the room are very high. The more frequently the door is opened in humid conditions the more chance of the build up of moisture.

### **The doors do not close properly:**

- Ensure there are no obstructions preventing door closure.
- Check the door compartments and shelves are correctly in place
- Check the door seal is not warped or torn.
- Check the appliance is level.

For Customer Services & Spare Parts please call **0845 208 8750**  
Opening times: Monday - Friday 8am – 6pm & Saturday 9am – 1pm or visit  
us at **[www.productcareuk.com](http://www.productcareuk.com)**

## Important notes

### IMPORTANT NOTES:

- In case of a sudden power loss or disconnecting and reconnecting of the plug to the electrical socket, the compressor protective thermal element will be opened as the pressure of the gas in the cooling system of your refrigerator has not yet been balanced. 4 or 5 minutes later, your refrigerator will start to operate; this is normal.
- If you won't be using your refrigerator for a long time, disconnect the plug from the socket. Clean your refrigerator as per the cleaning instructions and leave the door open to prevent any humidity or odour formation.

In case of a sudden power loss or disconnecting and reconnecting of the plug to the electrical socket, the compressor protective thermal element will be opened as the pressure of the gas in the cooling system of your refrigerator has not yet been balanced. Four or five minutes later, your refrigerator will start to operate; this is normal.

If you won't be using your refrigerator for a long time (such as on summer holidays), please disconnect the plug from the socket. Clean your refrigerator as documented in this booklet and leave the door open to prevent any humidification or odour formation. If there is still a problem with your refrigerator although you have followed the instructions in this book, please consult your nearest authorized service centre.

For Customer Services & Spare Parts please call **0845 208 8750**  
Opening times: Monday - Friday 8am – 6pm & Saturday 9am – 1pm or visit  
us at **[www.productcareuk.com](http://www.productcareuk.com)**

## Connection to the mains supply

### **WARNING-** THIS APPLIANCE MUST BE EARTHED

This appliance is designed to operate from a mains supply of AC230V ~ 50HZ.  
Check that the voltage marked on the product corresponds with your supply voltage.

This product is fitted with a 13A plug complying with BS1363.

If this plug is unsuitable or needs to be replaced, please note the following:

Important: The wires in the mains lead are  
Coloured in accordance with the following code:

GREEN/YELLOW - EARTH

BLUE - NEUTRAL

BROWN - LIVE



For UK use only – Plug fitting details (where applicable):

As the colours of the wires in the mains lead of this appliance may not correspond with the coloured markings identifying the terminals in your plug, proceed as follows:

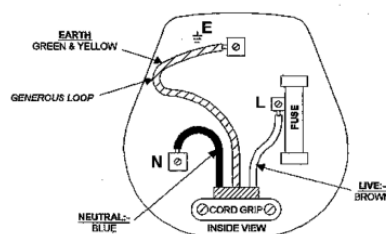
The GREEN/YELLOW wire is the EARTH and must be connected to the terminal which is marked with the letter E or by the earth symbol or coloured GREEN or GREEN/YELLOW.

The BLUE wire is the NEUTRAL and must be connected to the terminal marked with the letter N or coloured BLACK.

The BROWN wire is the LIVE wire and must be connected to the terminal marked with the letter L or coloured RED.

Always ensure that the plug cord grip is fastened correctly.

If a 13A (BS1363) fused plug is used it must be fitted with a 13amp fuse conforming to BS1362 and be BSI or ASTA approved.



For Customer Services & Spare Parts please call **0845 208 8750**

Opening times: Monday - Friday 8am – 6pm & Saturday 9am – 1pm or visit us at **[www.productcareuk.com](http://www.productcareuk.com)**

For Customer Services & Spare Parts  
please call

**0845 208 8750**

Opening times: Monday - Friday  
9am – 5pm & Saturday 9am – 1pm

or visit us at

**[www.productcareuk.com](http://www.productcareuk.com)**

Revision 1



This symbol is known as the 'Crossed-out wheellie bin Symbol'. When this symbol is marked on a product/batteries, it means that the product/batteries should not be disposed of with your general household waste. Only discard electrical/electronic/battery items in separate collection schemes, which cater for the recovery and recycling of materials contained within. Your co-operation is vital to make sure the success of these schemes and for the protection of the environment. For your nearest disposal facility, visit [www.recycle-more.co.uk](http://www.recycle-more.co.uk) or ask in store for details.

We reserve the right due to possible changes to design to alter the instruction manual without prior notice.

For Customer Services & Spare Parts please call **0845 208 8750**  
Opening times: Monday - Friday 8am – 6pm & Saturday 9am – 1pm or visit  
us at **[www.productcareuk.com](http://www.productcareuk.com)**



## Free Manuals Download Website

<http://myh66.com>

<http://usermanuals.us>

<http://www.somanuals.com>

<http://www.4manuals.cc>

<http://www.manual-lib.com>

<http://www.404manual.com>

<http://www.luxmanual.com>

<http://aubethermostatmanual.com>

Golf course search by state

<http://golfingnear.com>

Email search by domain

<http://emailbydomain.com>

Auto manuals search

<http://auto.somanuals.com>

TV manuals search

<http://tv.somanuals.com>