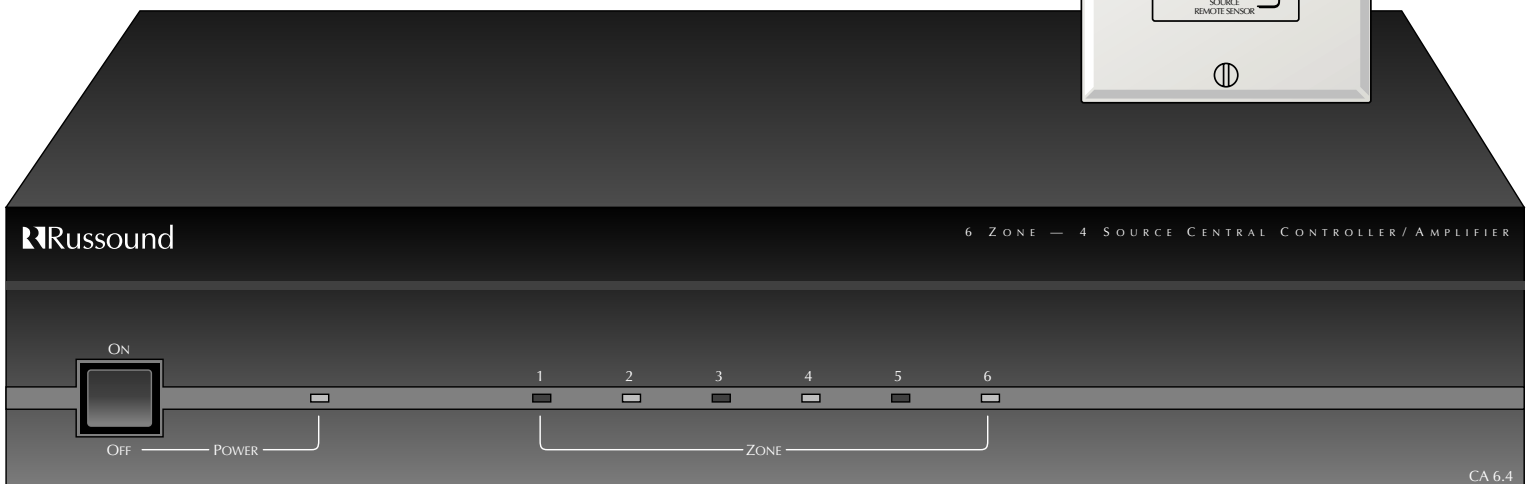
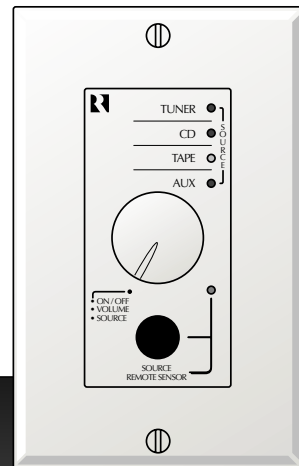


CA6.4

Instruction Manual

6-Zone, 4-Source
Central Controller/Amplifier



1. Safety Instructions



“WARNING” “ TO REDUCE THE RISK OF FIRE OR ELECTRIC SHOCK, DO NOT EXPOSE THIS APPLIANCE TO RAIN OR MOISTURE.”

“CAUTION” “ TO REDUCE THE RISK OF ELECTRIC SHOCK, DO NOT REMOVE COVER. NO USER - SERVICEABLE PARTS INSIDE. REFER SERVICING TO QUALIFIED SERVICE PERSONNEL.



The lightning flash with arrowhead symbol, within an equilateral triangle, is intended to alert the user to the presence of uninsulated “dangerous voltage” within the products enclosure that may be of sufficient magnitude to constitute a risk of electric shock to persons.



The exclamation point within an equilateral triangle is intended to alert the user to the presence of important operating and maintenance (servicing) instructions in the literature accompanying the appliance.

Safety Instructions

1. Read Instructions - All the safety and operating instructions should be read before the appliance is operated.
2. Retain Instructions - The safety and operating instructions should be retained for future reference.
3. Heed Warnings - All warnings on the appliance in the operating instructions should be adhered to .
4. Follow Instructions - All operating and user instructions should be followed.
5. Water and Moisture - The appliance should not be used near water - for example, near a bathtub, washbowl, kitchen sink, laundry tub, in a wet basement, or near a swimming pool, and the like.
6. Carts and Stands - The appliance should be used only with a cart or stand that is recommended by the manufacturer. An appliance and cart combination should be moved with care. Quick stops, excessive force and uneven surfaces may cause the appliance and cart combination to overturn.
7. Wall or ceiling Mounting - The appliance should be mounted to a wall or ceiling only as recommended by the manufacturer.
8. Ventilation - The appliance should be situated so that its location or position does not interfere with its proper ventilation. For example, the appliance should not be situated on a bed, sofa, rug, or similar surface that may block the ventilation openings or, placed in a built-in installation, such as a bookcase or cabinet that may impede the flow of air through the ventilation openings. Place the CA6.4 in a well-ventilated location, leaving at least 2 inches (5cm) of clearance on all sides, top and rear of unit for air flow. If ventilation is blocked, the CA6.4 may overheat and malfunction.
9. Heat - The appliance should be situated away from heat sources such as radiators, heat registers, stoves, or other appliances (including amplifiers) that produce heat.
10. Power Sources - The appliance should be connected to a power supply only of the type described in the operating instructions or as marked on the appliance.
11. Grounding or Polarization - The precautions that should be taken so that the grounding or polarization means of an appliance is not defeated .
12. Power - Cord Protection - Power supply cords should be routed so that they are not likely to be walked on or pinched by items placed upon or against them, paying particular attention to cords at plugs, receptacles, and the point where they exit from the appliance.
13. Cleaning - The appliance should be cleaned only as recommended by the manufacturer.



14. Non-use Periods - The power cord of the appliance should be unplugged from the outlet when left unused for a long period of time.
15. Object and Liquid Entry - Care should be taken so that objects do not fall and liquids are not spilled into the enclosure through the openings.
16. Damage Requiring Service - The appliance should be serviced by qualified service personnel when:
 - A. The power - supply cord or the plug has been damaged; or
 - B. Objects have fallen, or liquid has been spilled into the appliance; or
 - C. The appliance has been exposed to rain; or
 - D. The appliance does not appear to operate normally; or
 - E. The appliance has been dropped or the enclosure is damaged.
17. Servicing - The user should not attempt to service the appliance beyond that described in the operating instructions. All other servicing should be referred to qualified service personnel.

Precautions

1. Power – WARNING - BEFORE TURNING ON THE POWER FOR THE FIRST TIME , READ THE FOLLOWING SECTION CAREFULLY. All CA6.4 models are designed for use with either 110 VAC 50-60 Hz. or 240 VAC 50-60 Hz. A voltage selection switch is located on the rear of the CA6.4 above the power receptacle. The voltage selection switch will come set to the 110 VAC position. If you are in an area which has a 220 VAC or 240 VAC supply, move the voltage selection switch to the 240 VAC position.
2. Do Not Touch The CA6.4 With Wet Hands. Do not handle the CA6.4 or power cord when your hands are wet or damp. If water or any other liquid enters the CA6.4 cabinet, take the CA6.4 to qualified service personal for inspection.
3. Location of the CA6.4 - Do not expose the CA6.4 to direct sun light or heating units as the CA6.4 internal components temperature may rise and shorten the life of the components. Avoid damp and dusty places .
4. Care – From time to time you should wipe off the front and side panels and the cabinet with a soft cloth. Do not use rough material, thinners, alcohol or other chemical solvents or cloths since this may damage the finish or remove the panel lettering.

Contents

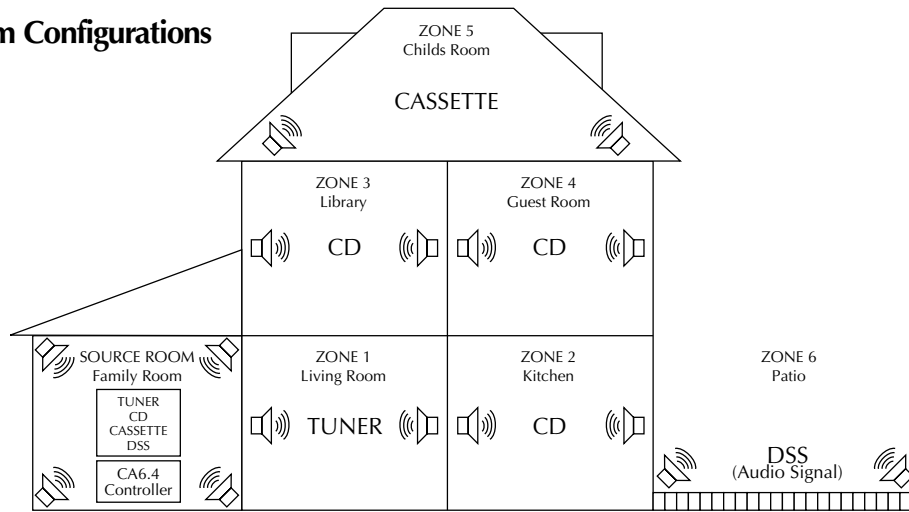
1. Safety Instructions.	2
2. Introduction	3
3. Possible System Configurations.	3
4. Unpacking and Warranty Card	3
5. Getting Started	3-4
6. Basic Planning and Layout Considerations.	4-5
7. Back Panel Connections	5
7.1 Source Input Connections	5
7.2 Speaker Connections	5
7.3 Connecting The Infra-red Components.	5-6
7.4 Connecting the IR Link.	6
7.5 Keypad Connections	6
8. Keypad Installation	6
8.1 Installing the KP Keypads	6
8.2 Installing the LRN Keypads	7
9. Speaker Installation.	7
10. Operation	7
11. Technical Information:	8
12. Warranty	8

2. Introduction

Congratulations on your recent purchase of the Russound CA6.4 multi-room controller. This six-zone, four-source, multi-room controller is an affordable integrated amplifier. The CA6.4 controller is the heart of the system. Six stereo power amplifiers are built into the Russound CA6.4 allowing simple connections to each speaker in the system. Each zone is operated by an intuitive easy-to-use keypad. The keypad controls all the functions of the CA6.4 controller. CA6.4KP keypads have a built-in infra-red receiver used to repeat your source equipment remote functions back through the CA6.4 controller.

The Russound CA6.4 is built with pride. Fidelity, Reliability and Quality is the primary objective. Russound products are guaranteed to provide years of enjoyment. The CA6.4 is UL listed and CSA approved for your protection and peace of mind. Please take a moment to fill out the warranty card and return it to Russound.

3. Possible System Configurations



4. Unpacking and Warranty Card

- Carefully unpack the CA6.4 and keep the original carton and packing materials for future moving, shipment or long-term storage. After opening the box, please check for any visible signs of damage that were not apparent from the outside of the box. If you do encounter what appears to be concealed damage, please consult your Russound dealer before proceeding to further unpack or install the unit.
- Make sure to save your sales receipt. Your receipt is extremely important to establish the duration of your limited Warranty, and for insurance purposes.
- Warranty Card – The serial number appears on the rear panel of this unit near the power cord. Copy the serial number onto your warranty card and mail it back to Russound / FMP, Inc. 5 Forbes Road Newmarket, New Hampshire 03857. Be sure to retain a copy and keep it in a safe place.

5. Getting Started

The following information will indicate some tools and materials necessary for a complete installation of the CA6.4:

- 4 twisted pair communication wire (commonly referred to as CAT 5). This wire will be used to connect the keypads in each zone to the CA6.4 controller. 16 Gauge minimum, 2 conductor CL3 rated wire. (Russound AW162CL3) This wire is used for direct connection between the CA6.4 and your speakers.
NOTE: CAT5 should not be run more than 100' or in combination with the CA6.4 LRN. For runs more than 100' or when using optional CA6.4 LRN please use 8-conductor 20AWG wire shielded.
- A small jewelers flat-head screwdriver.
- A medium sized flat-head screwdriver.
- Wire strippers and cutters.
- Electric drill and a 1/2" x 6 "drill bit.
- A steel-wire fish tape.

Additional tools required to complete installation:

- A keyhole saw.
- Electrical junction boxes (6).
- A stud finder.
- A screwdriver (cordless recommended)
- Misc. hand tools, nails & screws.
- Cable staples.

If you have problems or you are not absolutely comfortable with what you are doing, consult a professional carpenter, electrician, or system installer.

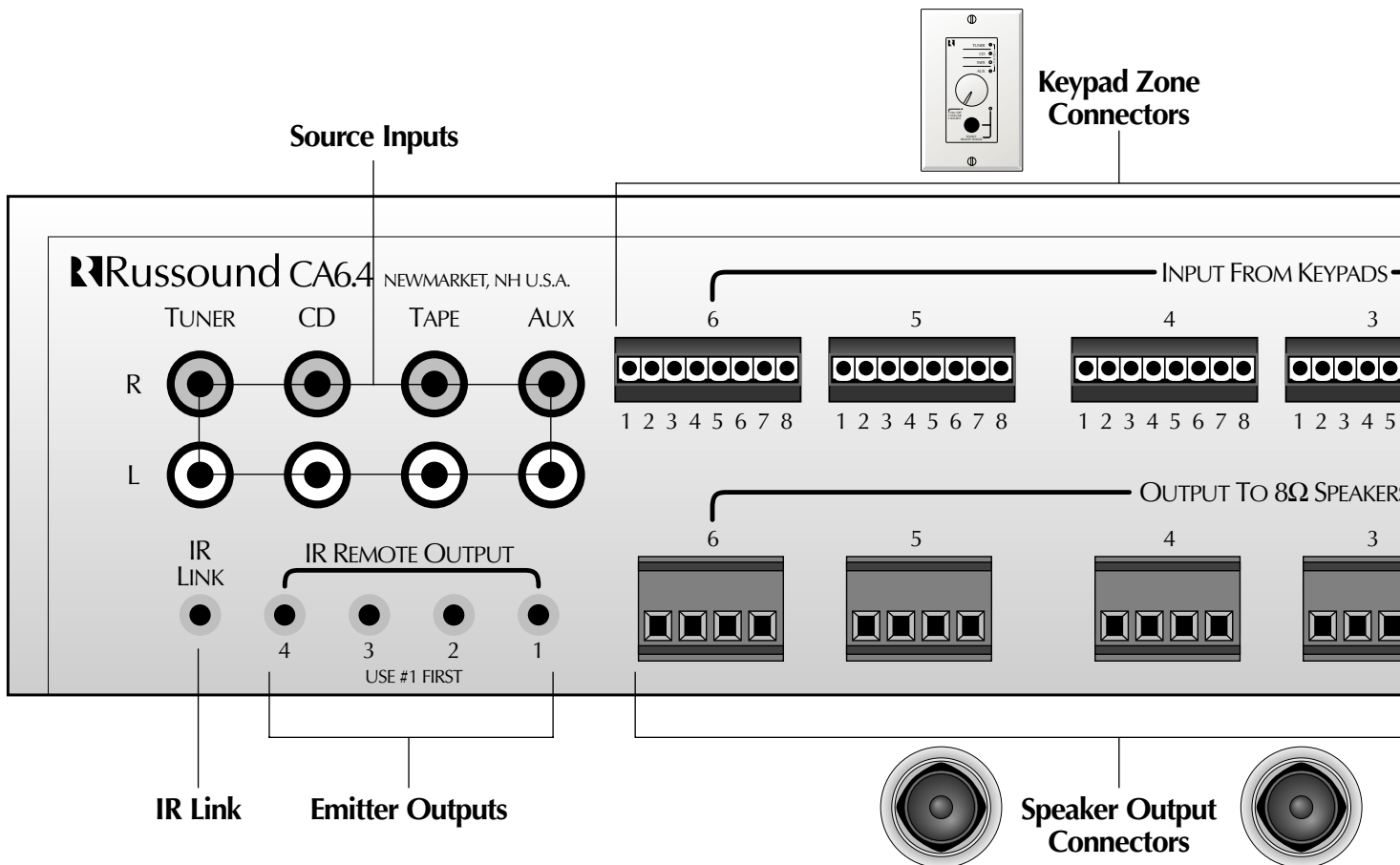
6. Basic Planning and Layout Considerations

- Where will the speakers be located ?
- How will the wiring be routed to each location ?
- Where will the keypads be located ?
- Where is the equipment located ?
- Where is the CA6.4 controller going to be located ?

Speaker Wire Length	Gauge of Speaker Wire
10-50 feet	18 AWG
50-100 feet	16 AWG
100-150 feet	14 AWG
Over 150 feet	12 AWG

Connection Tips

- Disconnect all power cords before connecting to the CA6.4.
- Verify that all connections and polarity are correct.
- Keep all power cords away from all signal cables to prevent noise or humming.
- Choose reliable signal cables / patch cords.
- Label all wires with room location at both ends of the wire.
- Take your time!!! Don't panic about the number of wires; simply connect one at a time.



7. Back Panel Connections

7.1 Source Input Connections

- Your source inputs are located at the top left corner of the back panel. Connect each source output, left and right, using quality signal cables / patch cables. Label each cable the name of your source and the input number of the CA6.4 you have selected. Repeat until all sources are connected. List them down below.

figure 1 –Input 1 _____ Input 2 _____ Input 3 _____ Input 4 _____

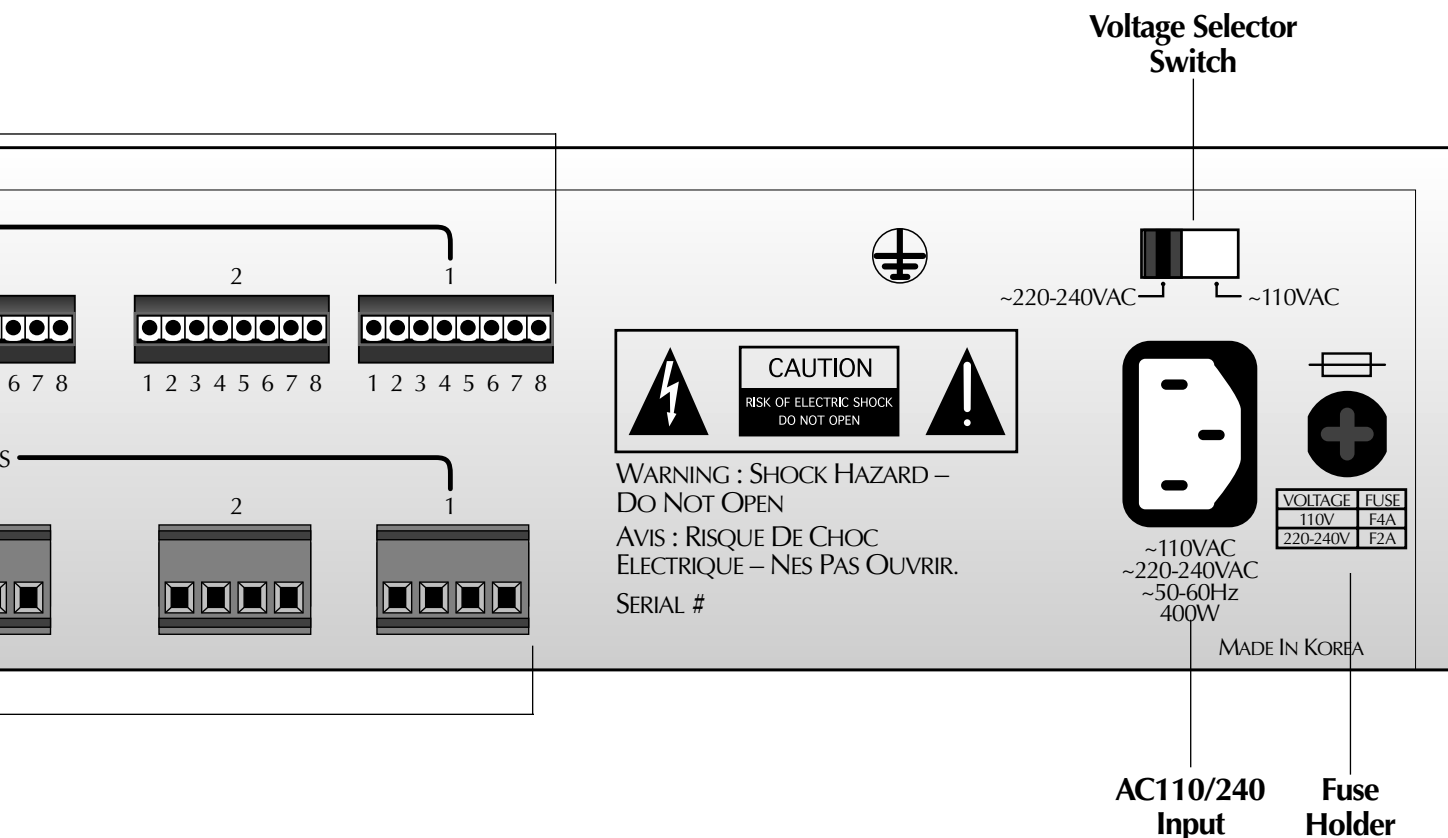
7.2 Speaker Connections

- Keeping in mind the location of the corresponding keypad, connect your speakers by first removing the connector. Using wire strippers, strip back 1/8" of the end of the wire. Insert the proper polarity, left + to left +, left- to left- etc., until all wires are connected in each zone output. Label each wire with the room name and zone number. Write down the room name to the zone number below. Note: Connect 8 Ohm minimum speakers only.

figure 2 –(Color) Left + _____ Left - _____ Right + _____ Right - _____
 Zone 1 _____ Zone 2 _____ Zone 3 _____
 Zone 4 _____ Zone 5 _____ Zone 6 _____

7.3 Connecting The Infra-red Components (diagram on next page)

- In order for your CA 6.4 to transmit the IR signal from the keypads to a source, an emitter must be connected from the IR outputs marked 1-4. Each of these outputs are wired in series and must be connected in consecutive order. For example, the #1 emitter output must be connected in order for the #2 emitter output to transmit the IR command.
- Connect each 845 mini-emitter to the source IR output. Refer to the source number you had written down above figure 1.

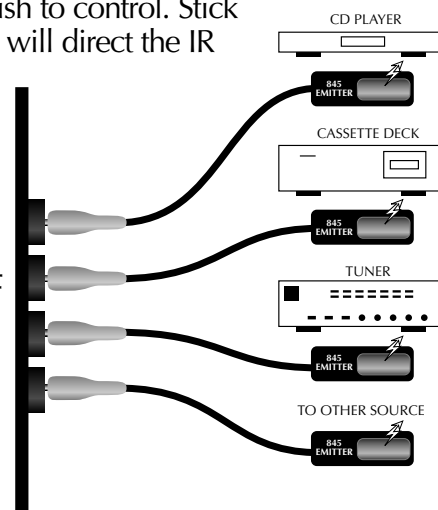


- Remove the adhesive back and locate the IR receiver on the product you wish to control. Stick the 845 emitter directly over the source components IR window. The CA6.4 will direct the IR command to the source component you wish to control.
- Repeat connections until all emitters match the selected sources.

7.4 Connecting the IR Link

- When two CA6.4 Controllers are to be used in an installation, the IR Link connection is used to pass IR signal between the two units. Use a 1/8", mono, phone plug, male to male cable connected from the IR Link on the first CA6.4 Controller to the IR Link on the second CA6.4. When connected, you may connect your IR emitters to either unit's IR Remote Output jacks.

REAR OF
CA6.4



7.5 Keypad Connections

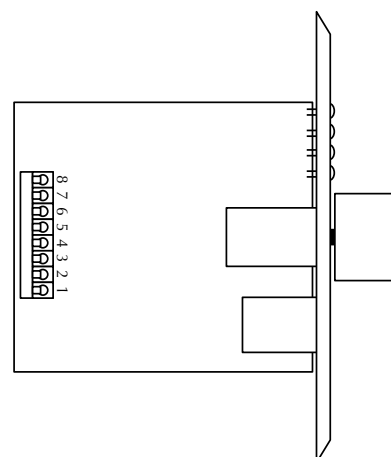
- Each keypad connection on the back panel corresponds to the room / zone number chosen for your speakers. Each zone operates independently, so it is very important to connect the keypad to the correct zone keypad input. Remove the connector and strip 1/8" off each end of the wire insulation. Connect each wire 1 thru 8 using a small jewelers screwdriver. At this point it is not important what color wires connect where, however, take note of the color of each wire and number indicated on the connector when connected to the back panel.
- Write down the room name to the zone number on next page. Note: the keypad and the speakers in each room must be hooked to the same zone number. See figures 2 and 3

figure 3

Zone 1 _____ Zone 2 _____ Zone 3 _____
 Zone 4 _____ Zone 5 _____ Zone 6 _____

figure 4 –Connector numbers and wire color should be written down below.

Pin 1 _____ Pin 2 _____ Pin 3 _____ Pin 4 _____
 Pin 5 _____ Pin 6 _____ Pin 7 _____ Pin 8 _____



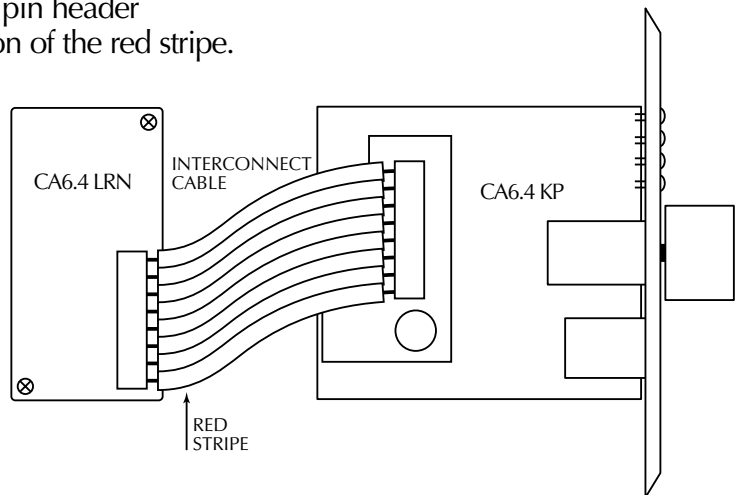
8. Keypad Installation

8.1 Installing the KP Keypads

- The best performance is achieved with the keypad away from any direct sunlight. Also consider the convenience when choosing a location.
- Choose a place that is easily seen from the position where a person is most likely to be located.
- Check whether or not you can route the wire to the location you have chosen.
- Purchase retro-fit plastic junction boxes (min. 20 cubic inches) and cut in the boxes using a key-hole saw or sheetrock knife/hand saw.
- Route the wire to the junction box from the CA6.4 location.
- Strip the insulation back 1/8" from each twisted wire. Connect each wire to the correct position 1 thru 8. Refer to figure 4.
- If you feel uncomfortable cutting into your walls and running wire through the walls, seek help from a professional installer or an electrician.
- Mount the keypad in the junction box and attach the Decora plate.
- The CA6.4 keypad has source labels for your convenience. Place the label on the keypad keeping the input number in sequence with the source selected.
- Repeat the above steps until all keypads are installed.

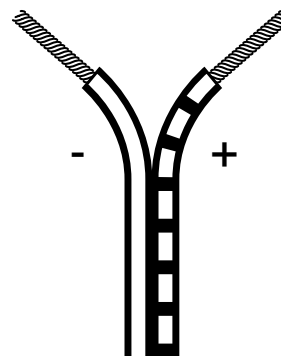
8.2 Installing the LRN Keypads

- Connect the CA6.4 LRN's Interface cable to the 16 pin header located on the CA6.4 KP Interface. Note the location of the red stripe.
- Mount the keypads into double gang box and attach the double gang Decora plate.



9. Speaker Installation

- If you are installing in-wall speakers, follow the instructions provided with your speakers for mounting.
- Connect each speaker wire to the correct polarity (+,-).



Finally!!!

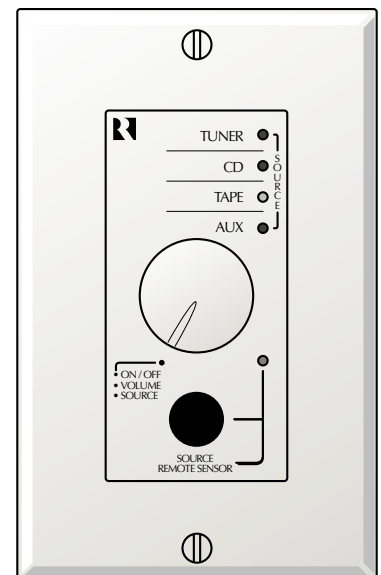
- Power up by plugging in all power cords and turning the CA6.4 and sources on.

10. Operation

- Power switch - When the power switch is engaged, the CA6.4 power indicator will be lit an amber color. The CA6.4 should be left on at all times. The unit will consume very little power unless the zones are on and active. The unit has a stand-by mode when the zones are inactive.
- The zone indicator will light either red for off or green for on. The zones can only be turned on from the keypads. All functions are accessed through the keypad only.

Operating The CA6.4 Keypad

- Power ON / OFF - This knob on the CA6.4 keypad controls all functions except for the IR management. To turn the unit on, simply turn the control knob clockwise. You will feel and hear a click verifying that the unit has been activated. The lights on the keypad will also illuminate to verify the zone is now on. Note - The CA6.4 front panel zone-management lights also informs you which zone is On or Off.
- Volume UP / DOWN - Once the unit is on, the knob can be used to adjust the volume. To adjust the volume up, turn the knob clockwise, and to turn the volume down, turn counter-clockwise.
- Source Selection - By pressing the knob, the zone will scroll through the four sources connected to the CA6.4. The keypad has four lights (LED's) that indicate the source selected.
- IR Source Control - The IR window repeats all source commands from the source component's remote through the CA6.4 and 845 emitters. Most IR receivers have a range of 20' at an angle of 60-65 degrees.



11. Technical Information:

- Frequency Response: 20 Hz to 20 KHz (+/- 1 dB)
- 15 Watts RMS / Channel @ 8Ω
- 12 Channels / 6 Stereo Amplifiers
- Total Harmonic Distortion: .1%
- Signal to Noise Ratio: 89 dB min, "A" weighted
- Power Supply: ~110VAC/~220-240VAC 50-60Hz 400W High Current Toroidal
- ETL listed. Conforms to UL Standard UL1492 and CSA Standard C22-2 No. 1-M94
- CE Approved
- Fully Functional Keypad with IR Receiver Centered at 40 KHz

12. Warranty

The Russound CA6.4 is fully guaranteed for Two (2) years from the date of purchase against all defects in materials and workmanship. During this period Russound will replace any defective parts and correct any defect in workmanship without charge for either parts or labor. For this warranty to apply, the unit must be installed and used according to its written instructions. If service is necessary, it must be performed by Russound. The unit must be returned to Russound at the owners expense and with prior written permission. Accidental damage and shipping damage are not considered defects under the terms of the warranty. Russound assumes no responsibility for defects resulting from abuse or servicing performed by an agency or person not specifically authorized in writing by Russound. Damage to or destruction of components due to improper use voids the warranty. In these cases the repair will be made at the owners expense. To return for repairs, the unit must be shipped to Russound at the owners expense, along with a note explaining the nature of the service required. Be sure to pack in a corrugated container with at least 3 inches of resilient material to protect the unit from damage in transit.

Now sit back and let all members of the household enjoy the personalization that the Russound CA6.4 provides. Happy listening!

Russound
A/V DISTRIBUTION & CONTROL SYSTEMS

5 Forbes Rd. Newmarket, NH 03857
☎ 603.659.5170 • Fax 603.659.5388
e-mail: tech@russound.com

the right
connection

Come visit us at:

www.russound.com

Free Manuals Download Website

<http://myh66.com>

<http://usermanuals.us>

<http://www.somanuals.com>

<http://www.4manuals.cc>

<http://www.manual-lib.com>

<http://www.404manual.com>

<http://www.luxmanual.com>

<http://aubethermostatmanual.com>

Golf course search by state

<http://golfingnear.com>

Email search by domain

<http://emailbydomain.com>

Auto manuals search

<http://auto.somanuals.com>

TV manuals search

<http://tv.somanuals.com>