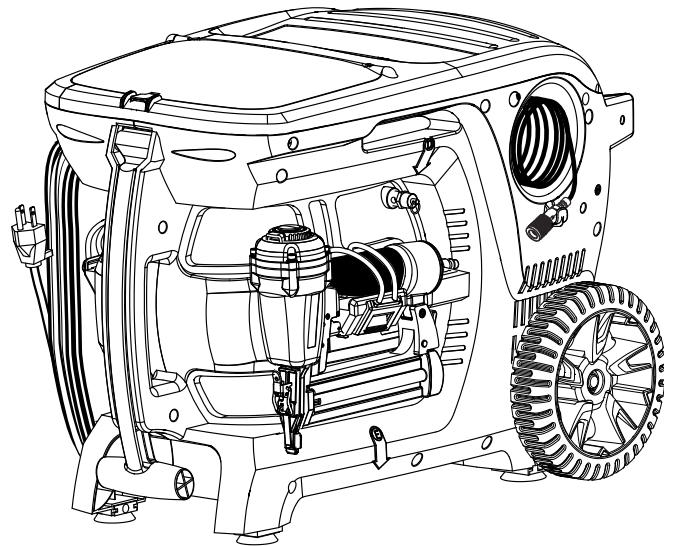




OPERATOR'S MANUAL MANUEL D'UTILISATION MANUAL DEL OPERADOR

3 GALLON AIR COMPRESSOR 3 GALONES COMPRESOR DE AIRE 3 GALLON COMPRESSEUR D'AIR

YN301PL
YN301PL1



Your air compressor has been engineered and manufactured to our high standard for dependability, ease of operation, and operator safety. When properly cared for, it will give you years of rugged, trouble-free performance.

WARNING: To reduce the risk of injury, the user must read and understand the operator's manual before using this product. If you do not understand the warnings and instructions in the operator's manual, do not use this product.

Thank you for your purchase.

SAVE THIS MANUAL FOR FUTURE REFERENCE

Ce compresseur d'air a été conçu et fabriqué conformément à nos strictes normes de fiabilité, simplicité d'emploi et sécurité d'utilisation. Correctement entretenue, elle vous donnera des années de fonctionnement robuste et sans problème.

AVERTISSEMENT : Pour réduire les risques de blessures, l'utilisateur doit lire et veiller à bien comprendre le manuel d'utilisation avant d'employer ce produit. Si tous les avertissements et toutes les consignes de sécurité et instructions du manuel d'utilisation ne sont pas bien compris, ne pas utiliser ce produit.

Merci de votre achat.

**CONSERVER CE MANUEL POUR
FUTURE RÉFÉRENCE**

Su compresor de aire ha sido diseñada y fabricada de conformidad con las estrictas normas para brindar fiabilidad, facilidad de uso y seguridad para el operador. Con el debido cuidado, le brindará muchos años de sólido y eficiente funcionamiento.

ADVERTENCIA: Para reducir el riesgo de lesiones, el usuario debe leer y comprender el manual del operador antes de usar este producto. Guarde este manual del operador y estúdielo frecuentemente para lograr un funcionamiento seguro y continuo de este producto.

Le agradecemos su compra.

**GUARDE ESTE MANUAL PARA
FUTURAS CONSULTAS**

TABLE OF CONTENTS

| | |
|--|-----------|
| ■ Introduction | 2 |
| ■ Warranty | 2 |
| ■ General Safety Rules | 3-4 |
| ■ Specific Safety Rules | 4-5 |
| ■ Symbols | 6-7 |
| ■ Electrical | 8 |
| ■ Glossary of Terms | 9 |
| ■ Features | 9-10 |
| ■ Assembly | 10-11 |
| ■ Operation | 11-14 |
| ■ Maintenance | 14 |
| ■ Troubleshooting | 15 |
| ■ Figure numbers (illustrations) | 16 |
| ■ Parts Ordering / Service | Back page |

INTRODUCTION

This product has many features for making its use more pleasant and enjoyable. Safety, performance, and dependability have been given top priority in the design of this product making it easy to maintain and operate.

WARRANTY

RYOBI® POWER TOOL - LIMITED TWO YEAR WARRANTY AND 30 DAY EXCHANGE POLICY

One World Technologies, Inc., warrants its RYOBI® power tools with the following conditions:

30-DAY EXCHANGE POLICY: During the first 30 days after date of purchase, you may either request service under this warranty or you may exchange any RYOBI® power tool which does not work properly due to defective workmanship or materials by returning the power tool to the dealer from which it was purchased. To receive a replacement power tool or requested warranty service, you must present proof of purchase and return all original equipment packaged with the original product. The replacement power tool will be covered by the limited warranty for the balance of the two year period from the date of the original purchase.

WHAT THIS WARRANTY COVERS: This warranty covers all defects in workmanship or materials in your RYOBI® power tool for a period of two years from the date of purchase. With the exception of batteries, power tool accessories are warranted for ninety (90) days. Batteries are warranted for two years.

HOW TO GET SERVICE: Just return the power tool, properly packaged and postage prepaid, to an Authorized Service Center. You can obtain the location of the Service Center nearest you by contacting a service representative at One World Technologies, Inc., P.O. Box 1207, Anderson, SC 29622-1207, by calling 1-800-525-2579 or by logging on to www.ryobitools.com. When you request warranty service, you must also present proof of purchase documentation, which includes the date of purchase (for example, a bill of sale). We will repair any faulty workmanship, and either repair or replace any defective part, at our option. We will do so without any charge to you. We will complete the work in a reasonable time, but, in any case, within ninety (90) days or less.

WHAT'S NOT COVERED: This warranty applies only to the original purchaser at retail and may not be transferred. This warranty only covers defects arising under normal usage and does not cover any malfunction, failure or defects resulting from misuse, abuse, neglect, alteration, modification or repairs by other than Authorized Service Centers. One World Technologies, Inc. makes no warranties, representations or promises as to the quality or performance of its power tools other than those specifically stated in this warranty.

ADDITIONAL LIMITATIONS: Any implied warranties granted under state law, including warranties of merchantability or fitness for a particular purpose, are limited to two years from the date of purchase. One World Technologies, Inc. is not responsible for direct, indirect, or incidental damages, so the above limitations and exclusions may not apply to you. This warranty gives you specific legal rights, and you may also have other rights which vary from state to state.

GENERAL SAFETY RULES



DANGER:

READ AND UNDERSTAND TOOL LABELS AND MANUAL. Failure to follow warnings could result in DEATH or SERIOUS INJURY.

SAVE THESE INSTRUCTIONS WORK AREA

- **Keep your work area clean and well lit.** Cluttered benches and dark areas invite accidents. Floor must not be slippery from wax or dust.
- **Do not operate power tools in explosive atmospheres, such as in the presence of flammable liquids, gases, or dust.** Power tools create sparks which may ignite the dust or fumes.
- **Keep bystanders, children, and visitors away while operating tools.** Distractions can cause you to lose control.
- **Operate air compressor in an open area at least 18 in. away from any wall or object that could restrict the flow of fresh air to ventilation openings.**

ELECTRICAL SAFETY

- **Avoid body contact with grounded surfaces such as pipes, radiators, ranges, and refrigerators.** There is an increased risk of electric shock if your body is grounded.
- **Don't expose power tools to rain or wet conditions.** Water entering a power tool will increase the risk of electric shock.
- **Do not abuse the cord. Never use the cord to carry the tool or pull the plug from an outlet. Keep cord away from heat, oil, sharp edges, or moving parts. Replace damaged cords immediately.** Damaged cords increase the risk of electric shock.
- **When operating a power tool outside, use an outdoor extension cord marked "W-A" or "W".** These cords are rated for outdoor use and reduce the risk of electric shock.

PERSONAL SAFETY

- **Use safety equipment. Always wear eye protection.** Dust mask, nonskid safety shoes, hard hat, or hearing protection must be used for appropriate conditions.
- **Always wear eye protection with side shields marked to comply with ANSI Z87.1, along with hearing protection.** Failure to do so could result in objects being thrown into your eyes and other possible serious injuries.
- **The employer and/or user must ensure that proper eye protection is worn.** We recommend a Wide Vision Safety Mask for use over eyeglasses or standard safety glasses that provide protection against flying particles both from the front and side. Always use eye protection which is marked to comply with ANSI Z87.1.
- **Ensure compatibility of accessories before using.**

- **Read and understand the operator's manual for any accessories or air tools before using.**
- **Additional safety protection will be required in some environments.** For example, the working area may include exposure to a noise level which can lead to hearing damage. The employer and user must ensure that any necessary hearing protection is provided and used by the operator and others in the work area. Some environments will require the use of head protection equipment. When required, the employer and user must ensure that head protection marked to comply with ANSI Z89.1 is used.
- **Stay alert, watch what you are doing, and use common sense when operating a power tool. Do not use tool while tired or under the influence of drugs, alcohol, or medication.** A moment of inattention while operating power tools may result in serious personal injury.
- **Dress properly. Do not wear loose clothing or jewelry. Contain long hair. Keep your hair, clothing, and gloves away from moving parts.** Loose clothes, jewelry, or long hair can be caught in moving parts.
- **Do not overreach. Keep proper footing and balance at all times.** Proper footing and balance enables better control of the tool in unexpected situations.
- **Do not use on a ladder or unstable support.** Stable footing on a solid surface enables better control of the tool in unexpected situations.

TOOL USE AND CARE

- **Do not exceed the pressure rating of any component in the system.**
- **Protect material lines and air lines from damage or puncture.** Keep hose and power cord away from sharp objects, chemical spills, oil, solvents, and wet floors.
- **Check hoses for weak or worn condition before each use, making certain all connections are secure.** Do not use if defect is found. Purchase a new hose or notify an authorized service center for examination or repair.
- **Release all pressures within the system slowly.** Dust and debris may be harmful.
- **Store idle tools out of the reach of children and other untrained persons.** Tools are dangerous in the hands of untrained users.
- **Maintain tools with care.** Follow maintenance instructions. Properly maintained tools are easier to control.
- **Check for misalignment or binding of moving parts, breakage of parts, and any other condition that may affect the tool's operation. If damaged, have the tool serviced before using.** Many accidents are caused by poorly maintained tools.
- **Never point any tool toward yourself or others.**

GENERAL SAFETY RULES

- **Keep the exterior of the air compressor dry, clean, and free from oil and grease.** Always use a clean cloth when cleaning. Never use brake fluids, gasoline, petroleum-based products, or any strong solvents to clean the unit. Following this rule will reduce the risk of deterioration of the enclosure plastic.

SERVICE

- **Tool service must be performed only by qualified repair personnel.** Service or maintenance performed by unqualified personnel may result in a risk of injury.

- **Disconnect power supply, open drain valve to decompress tank and allow water to drain, and allow air compressor to become cool to the touch before servicing.** Turn pressure regulator knob fully counter-clockwise after shutting off compressor.
- **When servicing a tool, use only identical replacement parts. Follow instructions in the Maintenance section of this manual.** Use of unauthorized parts or failure to follow Maintenance instructions may create a risk of injury.

SPECIFIC SAFETY RULES




- **Know your air compressor.** Read operator's manual carefully. Learn its applications and limitations, as well as the specific potential hazards related to this tool. Following this rule will reduce the risk of electric shock, fire, or serious injury.
- **Drain tank of moisture after each day's use.** If unit will not be used for a while, it is best to leave drain valve open until such time as it is to be used. This will allow moisture to completely drain out and help prevent corrosion on the inside of tank.
- **Risk of Fire or Explosion.** Do not spray flammable liquid in a confined area. Spray area must be well ventilated. Do not smoke while spraying or spray where spark or flame is present. Keep compressors as far from the spraying area as possible, at least 15 feet from the spraying area and all explosive vapors.
- **Risk of Bursting.** Do not adjust regulator to result in output pressure greater than marked maximum pressure of attachment and/or the item being inflated. Never use at pressure greater than 135 psi.
- **Use an air pressure gauge periodically while inflating an item to check the air pressure.**
- **If connected to a circuit protected by fuses, use time-delay fuses with this product.**
- **To reduce the risk of electric shock, do not expose to rain. Store indoors.**
- **Inspect tank yearly for rust, pin holes, or other imperfections that could cause it to become unsafe.** Never weld or drill holes in the air tank.
- **Make sure the hose is free of obstructions or snags.** Entangled or snarled hoses can cause loss of balance or footing and may become damaged.
- **Use the air compressor only for its intended use. Do not alter or modify the unit from the original design or function.**
- **Always be aware that misuse and improper handling of this tool can cause injury to yourself and others.**
- **Do not place over 250 lbs on the work seat. Doing so could result in damage to the product.**
- **Never step or stand on the work seat.** Following this rule will reduce the risk of serious personal injury.
- **To reduce the risk of personal injury, do not use work seat as a step or platform.**
- **Never leave a tool unattended with the coil air hose attached.**
- **Do not operate this tool if it does not contain a legible warning label.**
- **Do not continue to use a tool or hose that leaks air or does not function properly.**
- **Always disconnect the air supply and power supply before making adjustments, servicing a tool, or when a tool is not in use.**
- **Do not attempt to pull or carry the air compressor by the hose.**
- **Your tool may require more air consumption than this air compressor is capable of providing.**
- **Always follow all safety rules recommended by the manufacturer of your air tool, in addition to all safety rules for the air compressor.** Following this rule will reduce the risk of serious personal injury.
- **Never direct a jet of compressed air toward people or animals. Take care not to blow dust and dirt towards yourself or others.** Following this rule will reduce the risk of serious injury.

SPECIFIC SAFETY RULES










- **Do not use this air compressor to spray chemicals.** Your lungs can be damaged by inhaling toxic fumes. A respirator may be necessary in dusty environments or when spraying paint. Do not carry while painting.
- **Inspect tool cords and hoses periodically and, if damaged, have repaired at your nearest Authorized Service Center. Constantly stay aware of cord location.** Following this rule will reduce the risk of electric shock or fire.
- **Never use an electrical adaptor with this grounded plug.**
- **Check damaged parts. Before further use of the air compressor or air tool, a guard or other part that is damaged should be carefully checked to determine that it will operate properly and perform its intended function. Check for alignment of moving parts, binding of moving parts, breakage of parts, mounting, and any other conditions that may affect its operation. A guard or other part that is damaged should be properly repaired or replaced by an authorized service center.** Following this rule will reduce the risk of shock, fire, or serious injury.
- **Make sure your extension cord is in good condition. When using an extension cord, be sure to use one heavy enough to carry the current your product will draw. A wire gauge size (A.W.G.) of at least 14 is recommended for an extension cord 25 feet or less in length. A cord exceeding 50 feet is not recommended. If in doubt, use the next heavier gauge. The smaller the gauge number, the heavier the cord.** An undersized cord will cause a drop in line voltage resulting in loss of power and overheating.
- **This equipment incorporates parts, such as snap switches, receptacles, and the like that tend to produce arcs or sparks** and, therefore, when located in a garage, it should be in a room or enclosure provided for the purpose, or should be 18 in. (457 mm) or more above the floor.
- **Never store tool with air connected.** Storing the tool with air connected can result in unexpected firing and possible serious personal injury.
- **Protect your lungs.** Wear a face or dust mask if the operation is dusty. Following this rule will reduce the risk of serious personal injury.
- **Do not operate coil air hoses above the rated psi.** Following this rule will reduce the risk of serious personal injury.
- **If the power supply cord is damaged,** it must be replaced only by the manufacturer or by an authorized service center to avoid risk.
- **Save these instructions.** Refer to them frequently and use them to instruct others who may use this tool. If you loan someone this tool, loan them these instructions also.

SYMBOLS

The following signal words and meanings are intended to explain the levels of risk associated with this product.


| SYMBOL | SIGNAL | MEANING |
|---|-----------------|--|
|  | DANGER: | Indicates an imminently hazardous situation, which, if not avoided, will result in death or serious injury. |
|  | WARNING: | Indicates a potentially hazardous situation, which, if not avoided, could result in death or serious injury. |
|  | CAUTION: | Indicates a potentially hazardous situation, which, if not avoided, may result in minor or moderate injury. |
| | CAUTION: | (Without Safety Alert Symbol) Indicates a situation that may result in property damage. |

Some of the following symbols may be used on this product. Please study them and learn their meaning. Proper interpretation of these symbols will allow you to operate the product better and safer.

| SYMBOL | NAME | DESIGNATION/EXPLANATION |
|---|----------------------------|---|
|  | Safety Alert | Indicates a potential personal injury hazard. |
|  | Read The Operator's Manual | To reduce the risk of injury, user must read and understand operator's manual before using this product. |
|  | Eye Protection | Always wear eye protection with side shields marked to comply with ANSI Z87.1. |
|  | Wet Conditions Alert | Do not expose to rain or use in damp locations. |
|  | Risk of Bursting | Do not adjust regulator to result in output pressure greater than marked maximum pressure of attachment and/or the item being inflated. Never use at pressure greater than 135 psi. |
|  | Risk of Fire or Explosion | Do not spray flammable liquid in a confined area. Spray area must be well ventilated. Do not smoke while spraying or spray where spark or flame is present. Keep compressors as far from the spraying area as possible, at least 15 feet from the spraying area and all explosive vapors. |
|  | Risk of Electrical Shock | Hazardous Voltage: Disconnect from power source before servicing. Compressor must be grounded. |
|  | Hot Surface | To reduce the risk of injury or damage, avoid contact with any hot surface. |
|  | Risk to Breathing | Air obtained directly from the air compressor should never be used to supply air for human consumption. |

SYMBOLS

Some of the following symbols may be used on this product. Please study them and learn their meaning. Proper interpretation of these symbols will allow you to operate the product better and safer.

| SYMBOL | NAME | DESIGNATION/EXPLANATION |
|---|-----------------------|-------------------------------|
| A | Amperes | Current |
| Hz | Hertz | Frequency (cycles per second) |
| ~ | Alternating Current | Type of current |
| V | Volts | Voltage |
|  | Class II Construction | Double-insulated construction |

DANGER:

This compressor/pump is not equipped and should not be used to supply breathing quality air. Additional equipment would be necessary to properly filter and purify the air to meet minimal specifications for Grade D breathing as described in Compressed Gas Association Commodity Specification G 7.1 - 1966, OSHA 29 CFR 1910.134. Compressed Gas Association, 4221 Walney Road, Fifth Floor, Chantilly, VA 20151-2923, (703) 788-2700, www.cganet.com. Any such additional equipment has not been examined and no implication of proper use for breathing air is intended or implied.

If this compressor is altered in any way, existing warranties shall be voided. Ryobi® and One World Technologies, Inc. disclaim any liabilities whatsoever for any loss, personal injury, or damage.

DISCLAIMER OF WARRANTIES

In the event the compressor is used for the purpose of breathing air application and proper in-line safety and alarm equipment is not simultaneously used, existing warranties shall be voided, and Ryobi® disclaims any liabilities whatsoever for any loss, personal injury, or damage.

ELECTRICAL

EXTENSION CORDS

Use only 3-wire extension cords that have 3-prong grounding plugs and 3-pole receptacles that accept the product's plug. When using a power tool at a considerable distance from the power source, use an extension cord heavy enough to carry the current that the tool will draw. An undersized extension cord will cause a drop in line voltage, resulting in a loss of power and causing the motor to overheat. Use the chart provided below to determine the minimum wire size required in an extension cord. Only round jacketed cords listed by Underwriter's Laboratories (UL) should be used.

**Ampere rating (on product data plate)

| Cord Length | Wire Size (A.W.G.) | | | | | |
|-------------|--------------------|---------|---------|---------|----------|-----------|
| | 0-2.0 | 2.1-3.4 | 3.5-5.0 | 5.1-7.0 | 7.1-12.0 | 12.1-16.0 |
| 25' | 16 | 16 | 16 | 16 | 14 | 14 |
| 50' | 16 | 16 | 16 | 14 | 14 | 12 |
| 100' | 16 | 16 | 14 | 12 | 10 | — |

**Used on 12 gauge - 20 amp circuit.

NOTE: AWG = American Wire Gauge

When working with the product outdoors, use an extension cord that is designed for outside use. This is indicated by the letters "W-A" or "W" on the cord's jacket.

Before using an extension cord, inspect it for loose or exposed wires and cut or worn insulation.

WARNING:

Keep the extension cord clear of the working area. Position the cord so that it will not get caught on lumber, tools, or other obstructions while you are working with a power tool. Failure to do so can result in serious personal injury.

WARNING:

Check extension cords before each use. If damaged replace immediately. Never use the product with a damaged cord since touching the damaged area could cause electrical shock resulting in serious injury.

ELECTRICAL CONNECTION

This product is powered by a precision-built electric motor. It should be connected to a **power supply that is 120 V, AC only, (normal household current) 60 Hz**. Do not operate this product on direct current (DC). A substantial voltage drop will cause a loss of power and the motor will overheat. If the product does not operate when plugged into an outlet, double check the power supply.

GROUNDING INSTRUCTIONS

This product must be grounded. In the event of a malfunction or breakdown, grounding provides a path of least resistance for electric current to reduce the risk of electric shock. This product is equipped with an electric cord having an equipment-grounding conductor and a grounding plug. The plug must be plugged into a matching outlet that is properly installed and grounded in accordance with all local codes and ordinances.

Do not modify the plug provided. If it will not fit the outlet, have the proper outlet installed by a qualified electrician.

WARNING:

Improper installation of the grounding plug is liable to result in a risk of electric shock. When repair or replacement of the cord is required, do not connect the grounding wire to either flat blade terminal. The wire with insulation having an outer surface that is green with or without yellow stripes is the grounding wire.

Check with a qualified electrician or service personnel if the grounding instructions are not completely understood, or if in doubt as to whether the product is properly grounded.

Repair or replace a damaged or worn cord immediately.

This product is for use on a nominal 120 V circuit and has a grounding plug similar to the plug illustrated in figure 1. Only connect the product to an outlet having the same configuration as the plug. Do not use an adapter with this product.

See Figure 1, page 16.

GLOSSARY OF TERMS

Air Filter

Porous element contained within a metal or plastic housing attached to the compressor cylinder head which removes impurities from the intake air of the compressor.

Air Tank

Spherical component which contains the compressed air.

Amperage Overload Switch (Manual)

Automatically shuts off the compressor if the amperage of the electric motor exceeds a predetermined limit.

Check Valve

Device that prevents compressed air from flowing back from the air tank to the compressor pump.

Cut-In Pressure

The low pressure at which the motor will automatically restart.

Cut-Off Pressure

The high pressure at which the motor will automatically shut off.

Electric Motor

Device which provides the rotational force necessary to operate the compressor pump.

NPT (National Pipe Thread)

A seal thread tape must be used to provide a leak-free seal on pipe threaded connections.

Pressure Regulator Knob

Regulates the outgoing pressure from the air outlet to the tool. It is possible to increase or decrease the pressure at the outlet by adjusting this control knob.

Pressure Switch

Automatically controls the on/off cycling of the compressor. It stops the compressor when the cut-off pressure in the tank is reached and starts the compressor when the air pressure drops below the cut-in pressure.

PSI (Pounds Per Square Inch)

Measurement of the pressure exerted by the force of the air. The actual psi is measured by a pressure gauge on the compressor.

Pump

Produces the compressed air with a reciprocating piston contained within the cylinder.

Regulator Pressure Gauge

Displays the current line pressure. Line pressure is adjusted by rotating the pressure regulator knob.

Safety Valve

Prevents air pressure in the air tank from rising over a predetermined limit.

SCFM (Standard Cubic Feet Per Minute) or CFM (Cubic Feet Per Minute)

A unit of measure of air delivery.

Tank Pressure Gauge

Indicates the pressure in the air tank.

FEATURES

PRODUCT SPECIFICATIONS

Air Tank Capacity3.0 gal.
Air Delivery2.0 SCFM @ 90 psi
Air Pressure 135 psi max.
Input 120 V, AC only, 60 Hz, 9.0 Amps

Tank Pressure Gauge 1.5 in. diameter
Regulatory Pressure Gauge2 in. diameter
Net Weight.....32 lbs.

KNOW YOUR AIR COMPRESSOR

See Figure 2, page 16.

The safe use of this product requires an understanding of the information on the product and in this operator's manual as well as a knowledge of the project you are attempting. Before use of this product, familiarize yourself with all operating features and safety rules.

CARRY HANDLE

The air compressor has a carry handle for easy transport.

CORD WRAP

The cord wrap keeps the cord neatly out of the way for storage.

DRAIN VALVE

The drain valve on the tank is for draining condensation to help prevent tank corrosion.

ACCESSORY STORAGE

The air compressor features a storage space for pneumatic accessories.

FEATURES

FOLDING HANDLE AND HAND GRIPS

The air compressor is equipped with conveniently placed hand grips for lifting and a folding handle that can be adjusted for storage and transportation.

HEAVY-DUTY PLASTIC HOUSING

The sturdy plastic housing frames the air compressor to help protect the gauges and controls from damage due to impact.

INTEGRATED COIL HOSE RETAINER WITH 25-FT. AIR HOSE

This tool is equipped with an integrated coil hose retainer feature that will hold up to 25 feet of coiled 1/4-in. air hose. A 25-ft. coiled hose is included with your air compressor.

OIL-FREE PUMP

The oil-free pump reduces the need for maintenance.

PRESSURE REGULATOR KNOB

Use the pressure regulator knob to adjust the amount of air being delivered through the hose. Pressing down on the knob will lock it into place. This prevents movement of the knob caused by vibration during use.

QUICK COUPLER

The air compressor has a 1/4-in. quick connect coupler located on the side of the unit.

REGULATOR PRESSURE GAUGE

The current line pressure is displayed on the regulator pressure gauge. This pressure can be adjusted by rotating the pressure regulator knob.

SAFETY VALVE

The safety valve is designed to automatically release air if the air tank pressure exceeds the preset maximum.

SIDE CONNECT STORAGE AREAS

The side connect storage areas can secure up to two pneumatic nailers.

TANK PRESSURE GAUGE

The tank pressure gauge indicates the pressure of the air in the tank.

VERTICAL STORAGE

The air compressor has been designed to safely stow in the horizontal or upright position.

WORK SEAT

The air compressor has a built in work seat that can hold up to 250 lbs.

ASSEMBLY

UNPACKING

This product has been shipped completely assembled.

- Carefully remove the product and any accessories from the box. Make sure that all items listed in the packing list are included.

WARNING:

Do not use this product if it is not completely assembled or if any parts appear to be missing or damaged. Use of a product that is not properly and completely assembled could result in serious personal injury.

- Inspect the product carefully to make sure no breakage or damage occurred during shipping.
- Do not discard the packing material until you have carefully inspected and satisfactorily operated the product.
- If any parts are damaged or missing, please call 1-800-525-2579 for assistance.

PACKING LIST

25 ft. Coiled Air Hose

Air Compressor with Hose Retainer

Barbed Plug (attached to coiled hose)

Operator's Manual

This unit may come with additional accessories. Check for an additional list of accessories.

ASSEMBLY

WARNING:

Do not attempt to modify this product or create accessories not recommended for use with this product. Any such alteration or modification is misuse and could result in a hazardous condition leading to possible serious personal injury.

WARNING:

Do not connect to power supply until assembly is complete. Failure to comply could result in accidental starting and possible serious personal injury.

OPERATION

DANGER:

Do not disassemble check valve, tank drain valves or safety relief valve with air in tank — bleed tank. Failure to depressurize tank could result in explosion and/or serious personal injury.

WARNING:

Do not allow familiarity with tools to make you careless. Remember that a careless fraction of a second is sufficient to inflict severe injury.

WARNING:

Always wear eye protection with side shields marked to comply with ANSI Z87.1. Failure to do so could result in objects being thrown in your eyes and other possible serious injuries.

WARNING:

This equipment incorporates parts, such as snap switches, receptacles, and the like that tend to produce arcs or sparks and, therefore, when located in a garage, it should be in a room or enclosure provided for the purpose, or should be 18 in. (457 mm) or more above the floor.

WARNING:

Do not attach any tools to the open end of the hose until start-up has been completed. Attaching a tool prematurely could result in accidental operation causing serious injury.

CAUTION

Do not use in an environment that is dusty or otherwise contaminated. Using the air compressor in this type of environment may cause damage to the unit.

APPLICATIONS

Air compressors are utilized in a variety of air system applications. Match hoses, connectors, air tools, and accessories to the capabilities of the air compressor.

You may use this product for the purposes listed below:

- Operating some air-powered tools
- Operating air accessories such as air nozzles and inflators
- Operates some air powered paint spraying products

TRANSPORTING THE AIR COMPRESSOR

See Figure 3 - 4, page 17.

The air compressor should be moved as shown in figure 4. This will help you to avoid damaging the wheels or the air compressor by rolling it over items in its path.

To move the air compressor:

- Ensure **AUTO/OFF** switch is in the **OFF** position and the air compressor is unplugged.

NOTE: To reduce the risk of tripping secure the 25 ft. hose to the clip located outside the integrated coil hose retainer and make sure the power cord is secured in the cord wrap.

- Pull the folding handle out
- Facing the back of the air compressor, grasp the folding handle firmly with one hand.
- Lift the air compressor toward you until it balances on the wheels.
- Turn around and pull the unit along behind you to the desired location.
- Lower the air compressor until it sits securely on a flat surface.

OPERATION

TRANSPORTING THE AIR COMPRESSOR UP OR DOWN STAIRS

See Figure 5, page 17.

To transport the air compressor down stairs:

- Using the carrying handle get a firm grasp of the unit. Lift the unit into a safe and comfortable carrying position.
NOTE: Use good lifting techniques and get help if needed.
- With proper footing and balance, carry the unit down one step at a time.
- Use care in transporting the unit down or up stairs to avoid damage to the stairs, damage to the unit, and personal injury.
- Lower the air compressor until it sits securely on a flat surface.

TOOL STORAGE

See Figure 6 - 7, page 17.

- Pneumatic accessories may be stored in the accessory compartment.

NOTE: Always disconnect the tools from the air hose and securely close the accessory compartment before storage.

- Certain pneumatic nailers can be mounted to the sides of the air compressor using the side connect storage areas. Framing and roofing nailers should not be stowed in these storage areas as they are too large.

NOTE: Never rest the trigger of the nailer/stapler tool on this storage mount.

- The air compressor should be stored on a stable flat surface either in the horizontal or upright position.

NOTE: Do not suspend the air compressor as it may result in damage to the air compressor or personal injury.

AUTO/OFF

See Figure 8, page 17.

- Connect the air compressor to a power supply. Turn the power switch to the **AUTO** position to power the compressor on, as shown in the start up section of the quick reference label.

NOTE: Do not run the compressor in the vertical position.

- To turn the air compressor off, turn the power switch to the **OFF** position.

NOTE: When the compressor is in the **AUTO** position, the air compressor will automatically turn back on when the tank air pressure drops below the preset pressure limit. It will also shut off again when the max pressure is reached.

RESETTING THE COMPRESSOR

When amperage into the air compressor exceeds the specified amperage, the air compressor will automatically shut off.

To reset the air compressor:

- Turn the air compressor off.
- Unplug the air compressor to allow unit to cool and to trigger reset.
NOTE: If the overload protector is actuated, the motor must be allowed to cool down for 30 minutes.
- Plug the air compressor into an approved outlet.
- Turn the air compressor on.

WARNING

Never exceed the air tool's pressure rating as recommended by the manufacturer. When using this air compressor as an inflation device, always follow the maximum inflation guidelines stated by the manufacturer of the item being inflated.

WARNING

Always ensure the switch is in the **OFF** position and the regulator pressure gauge reads zero (0) psi before changing air tools or disconnecting the hose from the air outlet. Failure to do so could result in possible serious personal injury.

CONNECTING/DISCONNECTING HOSES TO THE AIR COMPRESSOR

See Figures 8 - 10, pages 17 - 18.

When connecting a pneumatic air nailer or other air tool always follow the manufacturer's recommended start-up procedure.

When connecting/disconnecting a hose to the air compressor always do the following:

- Ensure **AUTO/OFF** switch is in the **OFF** position and the air compressor is unplugged.
- Confirm that the outlet pressure is at zero (0) psi by fully turning the regulator knob counterclockwise to fully reduce air pressure at the outlet.

NOTE: Turning the knob clockwise increases air pressure at the outlet. Turning counterclockwise reduces air pressure at the outlet.

- Attach coiled air hose to coupler on the side of the air compressor.
- Connect the air compressor to a power supply and turn power switch to the **AUTO** position.

OPERATION

- Allow unit to reach max pressure as indicated on the tank pressure gauge.
- Set regulator to desired pressure by rotating pressure regulator knob. The regulator pressure will appear on the gauge marked as outlet.

To disconnect a coiled air hose:

- Confirm that the outlet pressure is at zero (0) psi.
- When disconnecting a hose from 1/4-in. quick coupler, always firmly hold release end of hose.
- Pull back on the release sleeve on the 1/4-in. quick coupler.
- With a firm grip, pull out the quick-connect air fitting that is attached to the quick coupler.

ATTACHING OR DISCONNECTING PNEUMATIC TOOLS FROM THE AIR COMPRESSOR

NOTE: Each tool is different. Refer to manufacturer's instruction before operating a tool in the seated position.

USING THE AIR COMPRESSOR

See Figure 11, page 18.

WARNING:

Risk of bursting. Do not adjust regulator to result in output pressure greater than marked maximum pressure of attachment and/or the item being inflated. Never use at pressure greater than 135 psi. Failure to heed this warning could result in possible serious personal injury.

WARNING:

Air powered tools may require more air consumption than this air compressor is capable of providing. Check the tool manual to avoid damage to the tool or risk of personal injury.

- Follow the instructions in "Connecting Hoses to the Air Compressor."
- Control the amount of air flow with the pressure regulator knob. Turning the knob fully counterclockwise will completely stop the flow of air, as shown in the start up section of the quick reference label.

NOTE: Always use the minimum amount of pressure necessary for your application. Using a higher pressure than needed will drain air from the tank more rapidly and cause the unit to cycle on more frequently.

- When finished, always drain the tank and unplug the unit. Never leave the unit plugged in and/or running unattended.

DRAINING THE TANK

See Figure 12 - 13, page 18.

To help prevent tank corrosion and keep moisture out of the air used, the air tank of the compressor should be drained daily.

To drain:

- Turn the air compressor off, as shown in the shut down section of the quick reference label.
- Pull the ring on the safety valve to release until pressure gauge reads less than 20 psi, as shown in the shut down section of the quick reference label.
- Release the ring.
- Rotate drain valves counterclockwise to open, as shown in the shut down section of the quick reference label.
- Tilt tank to drain moisture from tank into a suitable container.

NOTE: Condensate is a polluting material and should be disposed of in compliance with local regulations.

- If drain valve is clogged, release all air pressure, remove and clean valve, then reinstall.

WARNING:

Unplug the air compressor and release all air from the tank before servicing. Failure to depressurize tank before attempting to remove valve can cause serious personal injury.

- Rotate drain valve clockwise until tightly closed.

CHECKING THE SAFETY VALVE

See Figure 12, page 18.

DANGER:

Do not attempt to tamper with the safety valve. Anything loosened from this device could fly up and hit you. Failure to heed this warning could result in death or serious personal injury.

The safety valve will automatically release air if the air tank pressure exceeds the preset maximum. The valve should be checked before each day of use by pulling the ring by hand.

- Turn the air compressor on and allow the tank to fill. The compressor will shut off when the pressure reaches the preset maximum.
- Turn the air compressor off.
- Pull the ring on the safety valve to release air for three to five seconds to allow pressurized air to escape. Release the ring. The safety release valve must reset and hold pressure before all compressed air is exhausted from the tank/pressure vessel.

OPERATION

- Any continued loss of air after performing the above steps indicates a problem with the safety valve. Discontinue use and seek service before continued use of the air compressor.

WARNING:

If air leaks after the ring has been released or if the valve is stuck and cannot be actuated by the ring, do not use the air compressor until the safety valve has been replaced. Use of the air compressor in this condition could result in serious personal injury.

MAINTENANCE

WARNING:

When servicing use only identical Ryobi® replacement parts. Use of any other parts may create a hazard or cause product damage.

WARNING:

Always wear eye protection marked to comply with ANSI Z87.1 during maintenance. If operation is dusty, also wear a dust mask.

WARNING:

Always release all pressure, disconnect from power supply, and allow unit to cool to the touch before cleaning or making repairs on the air compressor.

WARNING:

Do not at any time let brake fluids, gasoline, petroleum-based products, penetrating oils, etc., come in contact with plastic parts. Chemicals can damage, weaken or destroy plastic which may result in serious personal injury. Electric tools used on fiberglass material, wallboard, spackling compounds, or plaster are subject to accelerated wear and possible premature failure because the fiberglass chips and grindings are highly abrasive to bearings, brushes, commutators, etc. Consequently, we do not recommend using this product for extended work on these types of materials. However, if you do work with any of these materials, it is extremely important to clean the product using compressed air.

GENERAL MAINTENANCE

Avoid using solvents when cleaning plastic parts. Most plastics are susceptible to damage from various types of commercial solvents and may be damaged by their use. Use clean cloths to remove dirt, dust, oil, grease, etc.

LUBRICATION

All of the bearings in this product are lubricated with a sufficient amount of high grade lubricant for the life of the unit under normal operating conditions. Therefore, no further lubrication is required.

NOTE: FIGURES (ILLUSTRATIONS) START ON PAGE 16 AFTER SPANISH LANGUAGE SECTION.

TROUBLESHOOTING

| PROBLEM | CAUSE | SOLUTION |
|--|---|--|
| Compressor will not run | Loss of power or overheating No electrical power Blown shop/house fuse Shop/house breaker open Amperage overload open Pressure switch bad Tank is full of air | Check for proper use of extension cord Check to be sure unit is plugged in Check fuse/breaker Replace shop/house blown fuse Reset shop/house breaker, determining why problem happened Unit must be unplugged and allowed to cool for 30 minutes to initiate reset. Replace pressure switch Compressor will turn on when tank pressure drops to cut-in pressure |
| Motor hums but cannot run or runs slowly | Low voltage Wrong gauge wire or length of extension cord Shorted or open motor winding Defective check valve or unloader | Check with voltmeter Check for proper gauge wire and cord length Take compressor to service center Take compressor to service center |
| Amperage overload protector cuts out repeatedly | Low voltage Lack of proper ventilation/room temperature too high Wrong gauge wire or length of extension cord | Check with voltmeter Move compressor to well-ventilated area. Unit must be unplugged and allowed to cool for 30 minutes to initiate reset. Check for proper gauge wire and cord length |
| Airtank pressure drops when compressor shuts off | Loose connections (fittings, tubing, etc.) Loose drain valve/Open drain valve Check valve leaking | Check all connections with soap and water solution and tighten Tighten drain valve/Close drain valve Take compressor to service center <hr/> <p> DANGER: Do not disassemble check valve, tank drain valves or safety relief valve with air in tank — bleed tank</p> <hr/> |
| Excessive moisture in discharge air | Excessive water in air tank High humidity | Drain tank Move to area of less humidity; use air line filter |
| Compressor runs continuously | Defective pressure switch Excessive air usage Piston rings are worn | Take compressor to service center Decrease air usage; compressor not large enough for tool's requirement Replace piston rings; Call customer service for assistance |
| Air output lower than normal | Broken inlet valves Connections leaking | Take compressor to service center Tighten connections |

TABLE DES MATIÈRES

| | |
|--|--------------|
| ■ Introduction | 2 |
| ■ Garantie | 2 |
| ■ Règles de sécurité générales | 3-4 |
| ■ Règles de sécurité particulières | 4-5 |
| ■ Symboles..... | 6-7 |
| ■ Équipement électrique..... | 8 |
| ■ Glossaire..... | 9 |
| ■ Caractéristiques | 9-10 |
| ■ Assemblage..... | 10-11 |
| ■ Utilisation..... | 11-14 |
| ■ Entretien | 14 |
| ■ Dépannage | 15 |
| ■ Figure numéros (illustrations)..... | 16 |
| ■ Commande de pièces / réparation..... | Page arrière |

INTRODUCTION

Cet produit offre de nombreuses fonctions destinées à rendre son utilisation plaisante et plus satisfaisante. Lors de la conception de ce produit, l'accent a été mis sur la sécurité, les performances et la fiabilité, afin d'en faire un produit facile à utiliser et à entretenir.

GARANTIE

OUTILS ÉLECTRIQUES RYOBI® – GARANTIE LIMITÉE DE DEUX ANS ET POLITIQUE D'ÉCHANGE DE 30 JOURS

One World Technologies, Inc., garantit ses outils électriques dans les conditions suivantes :

POLITIQUE D'ÉCHANGE DE 30 JOURS : En cas de défaillance due à des vices de matériaux ou de fabrication au cours des 30 jours suivant la date d'achat, l'acheteur pourra faire réparer tout outil électrique RYOBI® au titre de cette garantie ou le retourner l'établissement où il a été acheté. Pour obtenir un outil en échange ou demander la réparation en garantie, l'équipement complet devra être retourné, dans son emballage d'origine, accompagné d'une preuve d'achat. L'outil fourni en échange sera couvert par la garantie limitée pour le restant de la période de validité de deux ans à compter de la date d'achat.

CE QUI EST COUVERT PAR LA GARANTIE : Cette garantie couvre tous les vices de matériaux et de fabrication de cet outil électrique RYOBI®, pour une période de deux ans, à compter de la date d'achat. À l'exception des batteries, les accessoires sont garantis pour une période de quatre-vingt-dix (90) jours. Les batteries sont garanties deux ans.

RÉPARATIONS SOUS GARANTIE : Il suffit de retourner l'outil, correctement emballé, en port payé, à un centre de réparations agréé. L'adresse du centre de réparations agréé le plus proche peut être obtenue en contactant un représentant du service après-vente par courrier, à l'adresse One World Technologies, Inc., P.O. Box 1207, Anderson, SC 29622-1207, par téléphone au 1-800-525-2579 ou par courriel, à l'adresse Internet www.ryobitools.com. Lors de toute demande de réparation sous garantie, une preuve d'achat datée (par exemple un reçu de vente) doit être fournie. Nous nous engageons à réparer tous les défauts de fabrication et à réparer ou remplacer, à notre choix, toutes les pièces défectueuses. Les réparations et remplacements seront gratuits. Les réparations sous garantie seront effectuées dans un délai raisonnable, ne dépassant en aucun cas quatre-vingt-dix (90) jours.

CE QUI N'EST PAS COUVERT : La garantie ne couvre que l'acheteur au détail original et n'est pas transférable. Cette garantie ne couvre que les défauts résultant d'une utilisation normale. Elle ne couvre pas les problèmes de fonctionnement, défaillances ou autres défauts résultant d'un usage incorrect ou abusif, de la négligence, de la modification, de l'altération ou de réparations effectuées par quiconque autre qu'un centre de réparations agréé. One World Technologies, Inc. ne fait aucune autre garantie, représentation ou promesse concernant la qualité et les performances de cet outil électrique, autres que celles expressément indiquées dans le présent document.

AUTRES LIMITATIONS : Toutes les garanties implicites accordées par les lois en vigueur, y compris les garanties de valeur marchande ou d'adéquation à un usage particulier, sont limitées à une durée de deux ans, à compter de la date d'achat. One World Technologies, Inc. déclinant toute responsabilité pour les dommages directs ou indirects, les limitations et exclusions peuvent ne pas s'appliquer à chaque acheteur. Cette garantie donne au consommateur des droits spécifiques, et celui-ci peut bénéficier d'autres droits, qui varient selon les états ou provinces.

RÈGLES DE SÉCURITÉ GÉNÉRALES

DANGER :

Lire et veiller à bien comprendre toutes les instructions. Le non-respect de toutes les instructions ci-dessous peut entraîner un choc électrique, un incendie et/ou des blessures graves.

CONSERVER CES INSTRUCTIONS LIEU DE TRAVAIL

- **Garder le lieu de travail propre et bien éclairé.** Les établis encombrés et les endroits sombres sont propices aux accidents. Le sol ne doit pas être rendu glissant par de la cire ou de la sciure.
- **Ne pas utiliser d'outils électriques dans des atmosphères explosives, par exemple en présence de liquides, gaz ou poussières inflammables.** Les outils électriques produisent des étincelles risquant d'enflammer les poussières ou vapeurs.
- **Garder les badauds, enfants et visiteurs à l'écart pendant l'utilisation d'outils.** Les distractions peuvent causer une perte de contrôle.
- **Utiliser le compresseur d'air dans un endroit dégagé, à au moins 460 mm (18 po) de toute paroi ou objet risquant de gêner l'entrée de l'air dans les ouvertures de ventilation.**

SÉCURITÉ ÉLECTRIQUE

- **Éviter tout contact du corps avec des surfaces mises à la terre, telles que tuyaux, radiateurs, cuisinières et réfrigérateurs.** Le risque d'électrocution est accru lorsque le corps est mis à la terre.
- **Ne pas exposer les outils électriques à la pluie ou l'humidité.** La pénétration d'eau dans ces outils accroît le risque de choc électrique.
- **Ne pas maltraiter le cordon d'alimentation. Ne jamais utiliser le cordon d'alimentation pour transporter l'outil et ne jamais débrancher ce dernier en tirant sur le cordon. Garder le cordon à l'écart de la chaleur, de l'huile, des objets tranchants et des pièces en mouvement. Remplacer immédiatement tout cordon endommagé.** Un cordon endommagé accroît le risque d'électrocution.
- **Pour les travaux à l'extérieur, utiliser un cordon spécialement conçu à cet effet, marqué « W-A » ou « W ».** Ces cordons sont spécifiques à l'emploi en plein-air et réduisent les risques d'électrocution.

SÉCURITÉ PERSONNELLE

- **Utiliser l'équipement de sécurité.** Toujours porter une protection oculaire. Suivant les conditions, le port d'un masque filtrant, de chaussures de sécurité, d'un casque ou d'une protection auditive est recommandé.
- **Toujours porter une protection oculaire certifiée conforme à la norme ANSI Z87.1 ainsi qu'une protection auditive.** Si cette précaution n'est pas prise, des objets peuvent être projetés dans les yeux et causer des lésions graves.

- **Il incombe à l'employeur et/ou l'utilisateur de veiller à ce qu'une protection oculaire adéquate soit utilisée.** Nous recommandons d'utiliser un masque facial à champ de vision se portant par-dessus des lunettes de vue ou de sécurité et protégeant des débris projetés sur le devant et les côtés. Toujours porter une protection oculaire certifiée conforme à la norme ANSI Z87.1.
- **S'assurer que les accessoires sont compatibles avant de les utiliser.**
- **Lire et veiller à bien comprendre le manuel d'utilisation des accessoires ou des outils pneumatiques avant de les utiliser.**
- **Des équipements de protection supplémentaires sont requis dans certains environnements.** Par exemple, le lieu de travail peut présenter un niveau de bruit susceptible d'entraîner des lésions auditives. Il incombe à l'opérateur et à l'utilisateur qu'une protection auditive soit fournie et utilisée par l'opérateur et les autres personnes se trouvant sur le lieu de travail. Certains environnements requièrent le port d'un casque. Il incombe à l'employeur et/ou l'utilisateur de veiller à ce qu'un casque conforme à la norme ANSI Z89.1 soit utilisé.
- **Rester attentif, prêter attention au travail et faire preuve de bon sens lors de l'utilisation de tout outil électrique. Ne pas utiliser cet outil en état de fatigue ou sous l'influence d'alcool, de drogues ou de médicaments.** Un moment d'inattention pendant l'utilisation d'un outil électrique peut entraîner des blessures graves.
- **Porter une tenue appropriée. Ne porter ni vêtements amples, ni bijoux. Attacher ou couvrir les cheveux longs. Garder les cheveux, les vêtements et les gants à l'écart des pièces en mouvement.** Les vêtements amples, bijoux et cheveux longs peuvent se prendre dans les pièces en mouvement.
- **Ne pas travailler hors de portée. Toujours se tenir bien campé et en équilibre.** Une bonne tenue et un bon équilibre permettent de mieux contrôler l'outil en cas de situation imprévue.
- **Ne pas utiliser l'outil sur une échelle ou un support instable.** Une bonne tenue et un bon équilibre permettent de mieux contrôler l'outil en cas de situation imprévue.

UTILISATION ET ENTRETIEN DE L'OUTIL

- **Ne pas dépasser les pressions nominales des composants du système.**
- **Protéger les flexibles d'alimentation et d'outil contre les dommages et risques de perforation.** Garder le flexible et le cordon d'alimentation électrique à l'écart de la chaleur, de l'huile, des solvants et sols humides ou mouillés.
- **Avant chaque utilisation, s'assurer que les flexibles ne sont pas affaiblis ou endommagés et vérifier tous les branchements.** Ne pas utiliser le compresseur si les flexibles ne sont pas en bon état. Acheter de nouveaux flexibles ou contacter un centre de réparations agréé, pour les faire inspecter ou réparer.
- **Relâcher toutes les pressions du système lentement.** La projection de poussières et de débris peut être dangereuse.

RÈGLES DE SÉCURITÉ GÉNÉRALES

- **Ranger les outils non utilisés hors de portée des enfants et des personnes n'ayant pas reçu des instructions adéquates.** Dans les mains de personnes n'ayant pas reçu des instructions adéquates, les outils sont dangereux.
- **Entretien soigneusement les outils.** Respecter toutes les instructions d'entretien. Les outils correctement entretenus sont plus faciles à contrôler.
- **Vérifier qu'aucune pièce mobile n'est mal alignée, grippée ou brisée et s'assurer qu'aucun autre problème risque d'affecter le bon fonctionnement de l'outil. En cas de dommages, faire réparer l'outil avant de l'utiliser de nouveau.** Beaucoup d'accidents sont causés par des outils mal entretenus.
- **Ne pas pointer un outil quel qu'il soit vers soi ou d'autres personnes.**
- **Garder l'extérieur du compresseur sec, propre et exempt d'huile ou de graisse.** Toujours utiliser un chiffon propre pour le nettoyage. Ne jamais utiliser de liquide de freins, d'essence, de produits à base de pétrole ou de

solvants puissants pour nettoyer l'outil. Le respect de cette règle réduira les risques de perte du contrôle et d'endommagement du boîtier en plastique.

DÉPANNAGE

- **Le dépannage des outils doit être confié exclusivement à un personnel qualifié.** Les réparations ou entretiens effectués par des personnes non qualifiées présentent des risques de blessures.
- **Débrancher le compresseur, ouvrir le robinet de purge pour relâcher la pression, laisser l'eau s'écouler et laisser la machine refroidir avant de procéder à tout entretien.** Après avoir arrêté le compresseur, tourner le bouton du détendeur à fond vers la droite.
- **Utiliser exclusivement des pièces identiques à celles d'origine pour les réparations. Se conformer aux instructions de la section Entretien de ce manuel.** L'usage de pièces non autorisées ou le non respect des instructions d'entretien peut présenter des risques de blessures.

RÈGLES DE SÉCURITÉ PARTICULIÈRES

- **Apprendre à connaître compresseur d'aire.** Lire attentivement le manuel d'utilisation. Apprendre les applications et les limites de l'outil, ainsi que les risques spécifiques relatifs à son utilisation. Le respect de cette règle réduira les risques d'incendie, de choc électrique et de blessures.
- **Purger le réservoir après chaque journée de travail.** Si le compresseur ne doit pas être utilisé pendant un certain temps, il est préférable de laisser le robinet de purge ouvert. Cela permettra d'évacuer complètement l'humidité et aidera à empêcher la corrosion de l'intérieur du réservoir.
- **Risque d'incendie ou d'explosion.** Ne pas vaporiser de liquides inflammables dans un endroit confiné. La zone de pulvérisation doit être bien ventilée. Ne pas fumer pendant la pulvérisation ou pulvériser en présence de flammes. Garder les compresseurs le plus loin possible des zones de pulvérisation, au moins à 4,6 m (15 pi) de la zone de pulvérisation et de toutes vapeurs explosives.
- **Risque d'éclatement.** Ne pas ajuster le régulateur pour une pression de sortie supérieure à la pression maximale indiquée sur l'accessoire utilisé ou sur l'article gonflé. La pression ne doit jamais dépasser 135 psi.
- **Pendant le gonflage d'un article, utiliser un manomètre à air comprimé périodiquement afin de vérifier la pression d'air.**
- **Si connecter à un circuit protéger par des fusibles, utiliser des fusibles coussinets avec ce produit.**
- **Pour réduire le risque de choc électrique, ne pas exposer à la pluie. Remiser à l'intérieur.**
- **Une fois l'an, s'assurer que le réservoir n'est pas rouillé ou piqué et ne présente aucun défaut risquant de le rendre dangereux.** Ne jamais percer ou souder le réservoir.




- **S'assurer que le flexible n'est ni bloqué, ni accroché.** Un flexible emmêlé ou entortillé peut causer une perte d'équilibre et être endommagé.
- **Le compresseur ne doit être utilisé que pour les applications pour lesquelles il est conçu. Ne pas altérer ou modifier le compresseur ou l'utiliser pour des applications pour lesquelles il n'est pas conçu.**
- **Ne jamais oublier qu'un usage incorrect ou abusif de cet outil peut mettre l'opérateur et les autres personnes présentes en danger.**
- **Ne pas placer plus de 113,64 kg (250 lb) sur le siège de travail.** Ne pas respecter cette directive peut faire en sorte d'endommager le produit.
- **Ne pas marcher ou se tenir debout sur le siège de travail.** Observer cette règle de sécurité aide à réduire le risque de blessures graves.
- **Pour réduire le risque de blessures, ne pas utiliser le siège de travail comme marchepied ou comme plateforme.**
- **Ne jamais laisser l'outil sans surveillance avec le flexible d'air branché.**
- **Ne pas utiliser cet outil s'il ne comporte pas d'autocollant d'avertissement.**
- **Ne pas utiliser un outil qui présente des fuites d'air ou ne fonctionne pas correctement.**
- **Toujours débrancher l'outil des alimentations pneumatique et électrique avant d'effectuer des réglages ou entretiens et lorsque l'outil n'est pas utilisé.**
- **Ne pas essayer de tirer ou de transporter le compresseur par son flexible.**

RÈGLES DE SÉCURITÉ PARTICULIÈRES










- **La consommation d'air de l'outil peut être supérieure à la capacité de ce compresseur.**
- **Toujours respecter les consignes de sécurité du fabricant de l'outil pneumatique, ainsi que toutes les règles de sécurité d'utilisation du compresseur.** Le respect de cette consigne réduira les risques de blessures graves.
- **Ne jamais diriger le jet d'air comprimé vers des personnes ou animaux. Veiller à ne pas projeter de la poussière ou de la saleté vers soi-même ou d'autres personnes.** Le respect de cette règle réduira les risques de blessures graves.
- **Ne pas utiliser ce compresseur pour la pulvérisation de produits chimiques.** L'inhalation de vapeurs toxiques peut causer des lésions pulmonaires. Le port d'un respirateur peut être nécessaire dans les environnements poussiéreux ou lors de la pulvérisation de peinture. Ne pas porter lorsque vous êtes en train de peindre.
- **Inspecter régulièrement le cordon d'alimentation de l'outil et les flexibles. S'ils sont endommagés, les confier au centre de réparations agréé le plus proche. Toujours être conscient de l'emplacement du cordon.** Le respect de cette consigne réduira les risques de choc électrique et d'incendie.
- **Ne jamais utiliser un adaptateur électrique avec cette prise de terre.**
- **Vérifier l'état des pièces. Avant d'utiliser le compresseur de nouveau, examiner soigneusement les pièces et dispositifs de protection qui semblent endommagés afin de déterminer s'ils fonctionnent correctement et remplissent les fonctions prévues. Vérifier l'alignement des pièces mobiles, s'assurer qu'aucune pièce n'est bloquée ou cassée, vérifier la fixation de chaque pièce et s'assurer qu'aucun autre problème ne risque d'affecter le bon fonctionnement de l'outil. Toute protection ou pièce endommagée doit être correctement réparée ou remplacée dans un centre de réparations agréé.** Le respect de cette consigne réduira les risques de choc électrique, d'incendie et de blessures graves.
- **S'assurer que le cordon prolongateur est en bon état. Si un cordon prolongateur est utilisé, s'assurer que sa capacité est suffisante pour supporter le courant de fonctionnement de l'outil. Un calibre de fil (A.W.G) d'au minimum 14 est recommandé pour un cordon prolongateur de 7,62 mètres (25 pi) maximum. L'usage d'un cordon de plus de 15 mètres (50 pi) est déconseillé. En cas de doute, utiliser un cordon du calibre immédiatement supérieur. Moins le numéro de calibre est élevé, plus la capacité du fil est grande.** Un cordon de capacité insuffisante causerait une baisse de la tension de ligne, entraînant une perte de puissance et une surchauffe.
- **Un cet équipement incorpore des parties, commutateurs telles que de claquement, les prises, et l'aimé qu'avoir tendance à produire des arcs ou des étincelles et, donc, quand localisé dans un garage, ce doit être dans une pièce ou la clôture a pourvu au but, ou doit être 18 po (457 mm) ou plus au-dessus du plancher.**
- **Ne jamais emmagasiner l'outil avec l'air connecté.** Emmagasiner l'outil avec l'air connecté peut avoir pour résultat vider imprévu et la blessure personnelle, sérieuse et possible.
- **Protection respiratoire.** Porter un masque facial ou respiratoire si le travail produit de la poussière. Le respect de cette règle réduira les risques de blessures graves.
- **Ne jamais utiliser les tuyaux à air au delà de la pression indiquée (en psi).** Le non-respect de cet avertissement pourrait entraîner des blessures graves ou mortelles.
- **Si le cordon d'alimentation est endommagé, il doit être remplacé uniquement pas le fabricant ou par un centre de réparation agréé pour éviter tout risque.**
- **Conserver ces instructions.** Les consulter fréquemment et les utiliser pour instruire les autres utilisateurs éventuels. Si cet outil est prêté, il doit être accompagné de ces instructions.

SYMBOLES

Les termes de mise en garde suivants et leur signification ont pour but d'expliquer le degré de risques associé à l'utilisation de ce produit.


| SYMBOLE | SIGNAL | SIGNIFICATION |
|---|------------------------|---|
|  | DANGER : | Indique une situation extrêmement dangereuse qui, si elle n'est pas évitée, aura pour conséquences des blessures graves ou mortelles. |
|  | AVERTISSEMENT : | Indique une situation potentiellement dangereuse qui, si elle n'est pas évitée, pourrait entraîner des blessures graves ou mortelles. |
|  | ATTENTION : | Indique une situation potentiellement dangereuse qui, si elle n'est pas évitée, pourrait entraîner des blessures légères ou de gravité modérée. |
| | ATTENTION : | (Sans symbole d'alerte de sécurité) Indique une situation pouvant entraîner des dommages matériels. |

Certains des symboles ci-dessous peuvent être utilisés sur l'produit. Veiller à les étudier et à apprendre leur signification. Une interprétation correcte de ces symboles permettra d'utiliser l'produit plus efficacement et de réduire les risques.

| SYMBOLE | NOM | DÉSIGNATION / EXPLICATION |
|---|-------------------------------------|--|
|  | Symbole d'alerte de sécurité | Indique un risque de blessure potentiel. |
|  | Lire le manuel d'utilisation | Pour réduire les risques de blessures, l'utilisateur doit lire et veiller à bien comprendre le manuel d'utilisation avant d'utiliser ce produit. |
|  | Protection oculaire | Toujours porter une protection oculaire avec écrans latéraux certifiée conforme à la norme ANSI Z87.1. |
|  | Avertissement concernant l'humidité | Ne pas exposer à la pluie ou l'humidité. |
|  | Risque d'éclatement | Ne pas ajuster le régulateur pour une pression de sortie supérieure à la pression maximale indiquée sur l'accessoire utilisé ou sur l'article gonflé. La pression ne doit jamais dépasser 135 psi. |
|  | Risque d'incendie ou d'explosion | Ne pas vaporiser de liquides inflammables dans un endroit confiné. La zone de pulvérisation doit être bien ventilée. Ne pas fumer pendant la pulvérisation ou pulvériser en présence de flammes. Garder les compresseurs le plus loin possible des zones de pulvérisation, au moins à 4,6 m (15 pi) de la zone de pulvérisation et de toutes vapeurs explosives. |
|  | Risque de choc électrique | Tension dangereuse : Débrancher de la prise secteur avant de faire des réparations. Le compresseur doit être mis à la terre. |
|  | Surface brûlante | Pour éviter les risques de blessures ou de dommages, éviter tout contact avec les surfaces brûlantes. |
|  | Risques d'inhalation | L'air sortant directement du compresseur ne doit jamais être utilisé pour la respiration. |

SYMBOLES

Certains des symboles ci-dessous peuvent être utilisés sur l'produit. Veiller à les étudier et à apprendre leur signification. Une interprétation correcte de ces symboles permettra d'utiliser l'produit plus efficacement et de réduire les risques.

| SYMBOLE | NOM | DÉSIGNATION / EXPLICATION |
|---|---------------------------|---------------------------------|
| A | Ampères | Intensité |
| Hz | Hertz | Fréquence (cycles par seconde) |
| ~ | Courant alternatif | Type de courant |
| V | Volts | Tension |
|  | Construction de classe II | Construction à double isolation |

DANGER :

Ce compresseur / pompe n'est pas équipé et ne doit pas être utilisé pour fournir de l'air de qualité respirable. Un équipement supplémentaire est nécessaire pour filtrer et purifier l'air conformément aux spécifications minimum d'air respirable de qualité D G 7.1 - 1966, OSHA 29 CFR 1910. 134 de la Compressed Gas Association, 4221 Walney Road, Fifth Floor, Chantilly, VA 20151-2923, (703) 788-2700, www.cganet.com. Un tel équipement n'a pas été examiné et nulle implication d'utilisation propre pour l'air respirable n'est prévue ou implicite.

Si ce compresseur est modifié de quelque manière que ce soit, les garanties en vigueur seront déclarées nulles et non avenues. Ryobi® et One World Technologies, Inc., déclineront toute responsabilité pour les pertes, blessures et dommages résultant de son utilisation.

EXONÉRATION DE GARANTIES

Si ce compresseur est utilisé pour des applications d'air respirable sans un système de sécurité et d'alarme approprié, les garanties en vigueur seront déclarées nulles et non avenues et Ryobi® déclinera toute responsabilité pour les pertes, blessures et dommages résultant de son utilisation.

CARACTÉRISTIQUES ÉLECTRIQUES

CORDONS PROLONGATEURS

Utiliser exclusivement des cordons prolongateurs à 3 fils dotés d'une fiche à prise de terre branchés sur une prise triphasée compatible avec la fiche de l'outil. Lors de l'utilisation du compresseur à grande distance d'une prise secteur, veiller à utiliser un cordon prolongateur d'une capacité suffisante pour supporter l'appel de courant de l'outil. Un cordon de capacité insuffisante causerait une baisse de la tension de ligne, entraînant une perte de puissance et une surchauffe. Se reporter au tableau ci-dessous pour déterminer le calibre minimum de fil requis pour un cordon donné. Utiliser exclusivement des cordons à gaine cylindrique homologués par Underwriter's Laboratories (UL).

**Intensité nominale (sur la plaquette signalétique du compresseur)

| Longueur du cordon | Calibre de fil (A.W.G.) | | | | | |
|--------------------|-------------------------|---------|---------|---------|----------|-----------|
| | 0-2.0 | 2.1-3.4 | 3.5-5.0 | 5.1-7.0 | 7.1-12.0 | 12.1-16.0 |
| 25' | 16 | 16 | 16 | 16 | 14 | 14 |
| 50' | 16 | 16 | 16 | 14 | 14 | 12 |
| 100' | 16 | 16 | 14 | 12 | 10 | — |

**Utilisé sur circuit de calibre 12 – 20 A

NOTE : AWG = American Wire Gauge

Pour les travaux à l'extérieur, utiliser un cordon prolongateur spécialement conçu à cet effet. La gaine des cordons de ce type porte l'inscription « W-A » ou « W ».

Avant d'utiliser un cordon prolongateur, vérifier que ses fils ne sont ni détachés ni exposés et que son isolation n'est ni coupée, ni usée.

AVERTISSEMENT :

Maintenir le cordon prolongateur à l'écart de la zone de travail. Lors du travail avec un cordon électrique, placer le cordon de manière à ce qu'il ne risque pas de se prendre dans les pièces de bois, outils et autres obstacles. Ne pas prendre cette précaution peut entraîner des blessures graves.

AVERTISSEMENT :

Vérifier l'état des cordons prolongateurs avant chaque utilisation. Remplacer immédiatement tout cordon endommagé. Ne jamais utiliser un compresseur dont le cordon d'alimentation est endommagé, car tout contact avec la partie endommagée pourrait causer un choc électrique et des blessures graves.

CONNEXION ÉLECTRIQUE

Ce compresseur est équipé d'un moteur électrique de précision. Il doit être branché uniquement sur une **alimentation 120 V, 60 Hz, c.a. (courant résidentiel standard)**. Ne pas utiliser cet outil sur une source de courant continu (c.c.). Une chute de tension importante causerait une perte de puissance et une surchauffe du moteur. Si le compresseur ne fonctionne pas une fois branché, vérifier l'alimentation électrique.

INSTRUCTIONS DE MISE À LA TERRE

En cas de problème de fonctionnement ou de panne, la mise à la terre fournit un chemin de résistance au courant électrique, pour réduire le risque de choc électrique. Ce compresseur est équipé d'un cordon électrique avec conducteur et fiche de mise à la terre. Le cordon doit être branché sur une prise correctement installée et mise à la terre conformément à tous les codes et réglementations locaux en vigueur.

Ne pas modifier la fiche fournie. Si elle ne peut pas être insérée dans la prise secteur, faire installer une prise adéquate par un électricien qualifié.

AVERTISSEMENT :

L'usage d'un cordon prolongateur incorrect peut présenter des risques de choc électrique. Si le cordon doit être réparé ou remplacé, ne pas connecter le fil de terre de l'outil sur une borne sous tension. Le fil à gaine verte, avec ou sans traceur jaune est le fil de terre.

Consulter un électricien qualifié ou le personnel de service si les instructions de mise à la terre ne sont pas bien comprises, ou en cas de doute au sujet de la mise à la terre.

Tout cordon endommagé doit être réparé ou remplacé immédiatement.

Ce compresseur est conçu pour être branché sur un circuit comportant une prise telle que celle montrée à la figure 1. Sa fiche est dotée d'une broche de terre semblable à celle représentée. Ce produit peut être mis à la terre.

Voir la figure 1, page 16.

GLOSSAIRE

Filtre à air

Élément poreux contenu dans un boîtier en métal ou plastique, monté sur la culasse du compresseur pour débarrasser l'air d'alimentation de toutes ses impuretés.

Réservoir d'air

Composant cylindrique contenant l'air comprimé.

Disjoncteur à intensité (Manostat)

Arrête automatiquement le compresseur lorsque la intensité du moteur électrique dépasse une limite prédéterminée.

Soupape antiretour

Dispositif empêchant l'air comprimé contenu dans le réservoir de retourner à la pompe.

Pression d'arrêt

Pression à laquelle le moteur s'arrête automatiquement.

Pression de déclenchement

Pression à laquelle le moteur se remet en marche.

Moteur électrique

Dispositif produisant la force rotative nécessaire pour actionner la pompe du compresseur.

NPT (National Pipe Thread)

Un ruban d'étanchéité de filetage doit être utilisé sur tous les raccords filetés, pour empêcher les fuites.

Bouton de régulation de pression

Permet de contrôler la pression d'alimentation de l'outil. La rotation du bouton dans un sens ou dans l'autre augmente ou réduit la pression d'air.

Manostat

Commande automatiquement la mise en marche et l'arrêt du moteur du compresseur. Il arrête le compresseur lorsque la pression maximum du réservoir est atteinte et le remet en marche une fois que la pression est parvenue au minimum.

Livres par pouce carré (psi)

Mesure de la pression exercée par la force de l'air. La pression est indiquée par un manomètre monté sur le compresseur.

Pompe

Produit l'air comprimé au moyen d'un piston alternatif à l'intérieur du cylindre.

Manomètre de détendeur

Indique la pression de ligne. La pression de ligne se règle au moyen du bouton de commande du détendeur.

Soupape de sûreté au PCM (Pieds cubes minute)

Empêche la pression d'air du réservoir de dépasser une limite prédéterminée.

SCFM (Pieds cubes standard minute)

Pieds cubes standard minute — Unité de mesure du débit d'air.

Manomètre de réservoir

Indique la pression d'air à l'intérieur du réservoir.

CARACTÉRISTIQUES

FICHE TECHNIQUE

Contenance du réservoir d'air 3,0 gal.
Débit d'air 2,0 SCFM @ 90 psi
Pression pneumatique 135 psi max.
Alimentation 120 V, 60 Hz, c.a. 9,0 A

Manomètre de réservoir 38,1 mm (1,5 po) diameter
Manomètre du régulateur 50,8 mm (2 po) diameter
Poids net 4,3 kg (32 lbs.)

APPRENDRE À CONNAÎTRE LE COMPRESSEUR

Voir la figure 2, page 16.

L'utilisation sûre de ce produit exige une compréhension des renseignements figurant sur le produit et contenus dans le manuel d'utilisation, ainsi qu'une bonne connaissance du projet entrepris. Avant d'utiliser ce produit, se familiariser avec toutes ses caractéristiques et règles de sécurité.

POIGNÉE DE TRANSPORT

Le compresseur d'air comporte une poignée qui facilite le transport.

REMBOBINEUR DE CORDON

Le rembobineur permet de bien ranger le cordon à l'écart pendant l'entreposage.

VALVE DE PURGE

La valve de purge sur le réservoir permet d'en extraire l'eau de condensation et de prévenir la corrosion.

RANGEMENT D'ACCESSOIRES

Le compresseur d'air est doté d'un espace de rangement pour les accessoires pneumatiques.

CARACTÉRISTIQUES

POIGNÉE REPLIABLE ET PRISES

Le compresseur d'air est équipé de prises et d'une poignée repliable positionnées de façon pratique qui peuvent être ajustées au moment de l'entreposage et du transport.

BOÎTIER EN PLASTIQUE ROBUSTE

Le boîtier en plastique solide encadre le compresseur d'air afin de protéger les manomètres et les commandes des dommages dus aux chocs.

RETENUE DE TUYAU EN SPIRALE INTÉGRÉE AVEC TUYAU À AIR DE 7,62 m (25 pi)

Cet outil est équipé d'une retenue intégrée qui loge un tuyau à air en spirale de 6,35 mm (1/4 po) et de 7,62 m (25 pi). Le compresseur d'air inclut un tuyau en spirale de 7,62 m (25 pi).

POMPE SANS HUILE

La pompe sans huile réduit le besoin de procéder à des entretiens.

BOUTON DU RÉGULATEUR DE PRESSION

Utiliser le bouton du régulateur de pression pour ajuster la quantité d'air débitée par le tuyau. Appuyer sur le bouton pour le verrouiller en place. Cela empêchera les vibrations de le faire bouger pendant l'utilisation.

RACCORD RAPIDE

Le compresseur d'air est doté de coupleurs rapides de 6,35 mm (1/4 po) située sur le côté.

MANOMÈTRE DU RÉGULATEUR

La pression de canalisation est affichée sur le manomètre du régulateur. Pour régler cette pression, tourner le bouton du régulateur de pression.

VALVE DE SÉCURITÉ

La valve de sécurité est conçue pour relâcher automatiquement de l'air si la pression d'air du réservoir excède la pression maximale préétablie.

COMPARTIMENTS DE RANGEMENT LATÉRAUX

Les compartiments de rangement latéraux peuvent loger jusqu'à deux clouuses pneumatiques.

MANOMÈTRE DU RÉSERVOIR

Le manomètre du réservoir indique la pression d'air dans le réservoir.

COMPARTIMENT VERTICAL

Le compresseur d'air a été conçu pour être rangé de façon sécuritaire en position horizontale ou verticale.

SIÈGE DE TRAVAIL

Le compresseur d'air comprend un siège de travail intégré qui peut supporter jusqu'à 113,4 kg (250 lb).

ASSEMBLAGE

DÉBALLAGE

Ce produit exige l'assemblée.

- Avec précaution, sortir l'produit et les accessoires de la boîte. S'assurer que toutes les pièces figurant sur la liste de contrôle sont incluses.



AVERTISSEMENT :

Ne pas utiliser le produit s'il n'est pas complètement assemblé ou si des pièces semblent manquantes ou endommagées. Le fait d'utiliser un produit assemblé de façon inadéquate ou incomplète peut entraîner des blessures graves.

- Examiner soigneusement l'produit pour s'assurer que rien n'a été brisé ou endommagé en cours de transport.
- Ne pas jeter les matériaux d'emballage avant d'avoir soigneusement examiné l'produit et avoir vérifié qu'il fonctionne correctement.
- Si des pièces sont manquantes ou endommagées, appeler le 1-800-525-2579 for assistance.

LISTE DE CONTRÔLE

Flexible Spirale de 7,62 m (25 pi)

Compresseur d'air avec retenue de tuyau flexible

Barbelé Prise (fixée sur le tuyau en spirale)

Manuel d'utilisation

L'unité peut être fournie avec des accessoires supplémentaires. Vérifier s'il y a une liste supplémentaire d'accessoires.

ASSEMBLAGE

AVERTISSEMENT :

Ne pas essayer de modifier ce produit ou de créer des accessoires non recommandés pour l'produit. De telles altérations ou modifications sont considérées comme un usage abusif et peuvent créer des conditions dangereuses, risquant d'entraîner des blessures graves.

AVERTISSEMENT :

Ne pas brancher sur le secteur avant d'avoir terminé l'assemblage. Le non respect de cet avertissement peut causer un démarrage accidentel, entraînant des blessures graves.

UTILISATION

DANGER :

Ne pas retirer la soupape antiretour, les robinets de vidange ou la soupape de sûreté lorsque le réservoir contient de l'air - purger le réservoir. Ne pas relâcher la pression du réservoir pourrait entraîner des explosion et/ou des blessures graves.

AVERTISSEMENT :

Ne pas laisser la familiarité avec l'outil faire oublier la prudence. Ne pas oublier qu'une fraction de seconde d'inattention peut entraîner des blessures graves.

AVERTISSEMENT :

Toujours porter une protection oculaire avec écrans latéraux certifiée conforme à la norme ANSI Z87.1. Si cette précaution n'est pas prise, des objets peuvent être projetés dans les yeux et causer des lésions graves

AVERTISSEMENT :

Ce produit comporte des pièces telles que des interrupteurs à ressort, qui ont tendance à produire des arcs ou des étincelles. Par conséquent, lorsque la machine est utilisée dans un garage, elle doit être placée à 460 mm (18 po) au-dessus du sol, dans une enceinte ou un local séparé.

AVERTISSEMENT :

Ne pas brancher d'outil pneumatique sur l'extrémité libre du flexible avant que la mise en route soit achevée. Fixation d'un outil trop tôt peut causer un démarrage accidentel, entraînant des blessures graves.

ATTENTION :

Ne pas utiliser dans des endroits poussiéreux ou autrement contaminés. Le compresseur peut être endommagé s'il est utilisé dans de tels environnements.

APPLICATIONS

Les compresseurs d'air sont utilisés pour diverses applications. Les capacités nominales des flexibles, outils pneumatiques et accessoires doivent correspondre à celle du compresseur.

Ce produit peut être utilisé pour les applications ci-dessous :

- Utilisation de certains outils pneumatiques
- Alimentation d'accessoires pneumatiques tels que buses à air et raccords de gonglage
- Permet d'utiliser certains outils pneumatiques pour la pulvérisation de peinture

TRANSPORT DU COMPRESSEUR D'AIR

Voir les figures 3 - 4, page 17.

Déplacer le compresseur d'air comme illustré la figure 4. Vous éviterez ainsi d'endommager les roues du compresseur d'air ou l'appareil lui-même en le faisant rouler sur des articles qui se trouvent sur son chemin.

Pour déplacer le compresseur d'air :

- S'assurer que l'Interrupteur « **FONCTIONNEMENT AUTOMATIQUE/ARRÊT** » (AUTO/OFF) est à la position « **OFF** » (Arrêt) et que le compresseur est débranché.

NOTE : Pour réduire le risque de trébucher, fixer solidement le tuyau flexible de 7,62 m (25 pi) sur l'attache située à l'extérieur de la retenue de tuyau en spirale intégrée et s'assurer que le cordon d'alimentation est fixé solidement sur le rembobineur.

- Tirer la poignée repliable vers l'extérieur.
- En faisant face à l'arrière du compresseur d'air, saisir fermement la poignée repliable d'une seule main.
- Soulever le compresseur d'air vers soi jusqu'à ce qu'il soit sur ses roues.
- Tourner et tirer le compresseur derrière vous jusqu'à l'emplacement désiré.
- Abaisser le compresseur jusqu'à ce qu'il repose de façon sécuritaire sur une surface plane.

UTILISATION

TRANSPORT DU COMPRESSEUR D'AIR PAR UN ESCALIER

Voir la figure 5, page 17.

Pour descendre le compresseur d'air par un escalier :

- À l'aide de la poignée de transport, saisir fermement l'unité. Soulever l'unité et la placer à une position de transport sécuritaire et confortable.

NOTE : Utiliser des techniques de levage appropriées et demander de l'aide au besoin.

- Tout en se tenant bien campé et en équilibre, descendre l'unité une marche à la fois.
- Agir avec soin pour transporter le compresseur dans les escaliers afin d'éviter d'endommager les escaliers, le compresseur lui-même, ou blessures graves.
- Abaisser le compresseur jusqu'à ce qu'il repose de façon sécuritaire sur une surface plane.

OUTILS DE RANGEMENT

Voir les figures 6 - 7, page 17.

- Les accessoires pneumatiques peuvent être rangés dans le compartiment à accessoires.

NOTE : Toujours débrancher les outils du tuyau à air et bien fermer le compartiment à accessoires avant l'entreposage.

- Certaines cloueuses pneumatiques peuvent être montées sur les côtés du compresseur d'air en utilisant les compartiments de rangement latéraux. Les cloueuses pour cadres et pour couverture ne doivent pas être rangées dans ces compartiments de rangement puisqu'ils sont trop grands.

NOTE : Ne jamais déposer la gâchette de la cloueuse-agrafeuse sur cette monture de rangement.

- Le compresseur d'air doit être entreposé sur une surface plane et stable en position horizontale ou verticale.

NOTE : Ne pas suspendre le compresseur d'air. Ne pas respecter cette directive risque de l'endommager ou de causer des blessures.

FONCTIONNEMENT AUTOMATIQUE/ARRÊT (AUTO/OFF)

Voir la figure 8, page 17.

- Brancher le compresseur d'air à une alimentation électrique. Régler l'interrupteur à la position **AUTO** pour mettre en marche le compresseur, tel qu'illustré à la section « Start up » (Démarrage) de l'étiquette de consultation rapide..

NOTE : Ne pas faire fonctionner le compresseur en position verticale.

- Pour mettre le compresseur d'air à l'arrêt, régler l'interrupteur à la position **OFF**.

NOTE : Lorsque le compresseur est réglé à la position **AUTO**, le compresseur d'air est remis automatiquement en

marque lorsque la pression d'air du réservoir descend en dessous du niveau préréglé. L'appareil est également mis à l'arrêt automatiquement lorsque le niveau de pression désiré est atteint.

RÉINITIALISER LE COMPRESSEUR

Quand l'intensité de courant en l'air compresseur dépasse l'intensité de courant spécifiée, le compresseur d'air éteindra automatiquement.

Pour remettre à l'état initial le compresseur d'air :

- Eteint le compresseur d'air.
- Débrancher le compresseur d'air afin de permettre à l'unité de refroidir et à la gâchette d'être réinitialisée.

NOTE : Si le protecteur de surcharge est actionné, le moteur doit être permis de se refroidir pour 30 minutes avant remettre à l'état initial de manuel. N Appuie le remet à l'état initial le bouton.

- Bouche le compresseur d'air dans une sortie approuvée.
- Allume le compresseur d'air.



AVERTISSEMENT :

Ne jamais dépasser la capacité de pression recommandée par le fabricant pour cet outil pneumatique. Au moment d'utiliser ce compresseur d'air comme dispositif de gonflage, respecter les instructions de gonflage maximal prescrites par le fabricant de l'article à gonfler.



AVERTISSEMENT :

Toujours s'assurer que l'interrupteur est réglé à la position **OFF** et que le manomètre du régulateur indique zéro avant de changer les outils pneumatiques ou de débrancher le tuyau de la sortie d'air. L'inobservation de cette règle peut entraîner des blessures graves.

RACCORDER DES TUYAUX ET DES OUTILS AU COMPRESSEUR D'AIR ET LES EN DÉBRANCHER

Voir les figures 8 - 10, pages 17 - 18.

Lorsque vous connectez une cloueuse pneumatique air ou d'autres outil toujours l'air par le fabricant recommandé procédure de démarrage.

Au moment de raccorder un tuyau au compresseur d'air ou de l'en débrancher ou de raccorder un outil à un tuyau d'air ou de l'en débrancher, toujours suivre les étapes suivantes :

- S'assurer que l'Interrupteur « **FONCTIONNEMENT AUTOMATIQUE/ARRÊT** » (AUTO/OFF) est à la position « **OFF** » (Arrêt) et que le compresseur est débranché.
- S'assurer que la pression à la sortie est de 0 psi en tournant complètement le régulateur dans le sens antihoraire pour éliminer la pression d'air à la sortie.

UTILISATION

NOTE : Le fait de tourner le bouton dans le sens horaire augmente la pression d'air à la sortie. Le fait de tourner le bouton dans le sens antihoraire réduit la pression d'air à la sortie.

- Fixer le tuyau à air en spirale sur le coupleur situé sur le côté du compresseur d'air.
- Brancher le compresseur d'air à une alimentation électrique et régler l'interrupteur à la position **AUTO**.
- Permettre à l'unité d'atteindre la pression maximale, tel qu'indiqué sur le manomètre du réservoir.
- Mettre le régulateur à la pression désirée en tournant le bouton du régulateur de pression. La pression du régulateur est affichée sur le manomètre de « sortie ».

Débrancher le tuyau à air en spirale :

- S'assurer que la pression d'alimentation est de 0 psi.
- Lors du débranchement d'un tuyau du coupleur rapide de 6,35 mm (1/4 po), toujours tenir fermement l'extrémité libérée du tuyau.
- Pousser vers l'arrière le manchon de relâchement sur le coupleur rapide de 6,35 mm (1/4 po).
- En le tenant fermement, retirer le raccord à connexion rapide du coupleur rapide.

CONNEXION ET DÉBRANCHER D'UN OUTIL PNEUMATIQUE AU COMPRESSEUR D'AIR

NOTE : Chaque outil est différent. Consulter les instructions du fabricant avant d'utiliser un outil en position assise.

UTILISATION DU COMPRESSEUR D'AIR

Voir la figure 11, page 18.

AVERTISSEMENT :

Risque d'éclatement. Ne pas ajuster le régulateur pour une pression de sortie supérieure à la pression maximale indiquée sur l'accessoire utilisé ou sur l'article gonflé. La pression ne doit jamais dépasser 135 psi. Le non-respect de cet avertissement pourrait entraîner des blessures graves ou mortelles.

AVERTISSEMENT :

La consommation d'air de l'outil peut être supérieure à la capacité de ce compresseur. Consulter le manuel de l'outil pour éviter des dommages ou des blessures.

- Suivre les directives à la section « Raccorder des tuyaux et des outils au compresseur d'air et les en débrancher ».
- Contrôler la circulation d'air à l'aide du bouton du régulateur de pression. Le fait de tourner complètement le bouton dans le sens antihoraire permet d'arrêter complètement la circulation d'air, tel qu'illustré à la section « Start up » (Démarrage) de l'étiquette de consultation rapide.

NOTE : Toujours utiliser la pression minimale requise pour l'application. Le fait d'utiliser inutilement une pression plus élevée purge l'air du réservoir plus rapidement et fait en sorte que le compresseur s'enclenche plus fréquemment.

- Une fois l'opération terminée, toujours vider le réservoir et débrancher l'unité. Ne jamais laisser l'unité sans surveillance si celle-ci est branchée ou si elle fonctionne.

PURGE DES RÉSERVOIR

Voir la figures 12 - 13, page 18.

Pour éviter la corrosion de l'intérieur du réservoir et la présence d'humidité dans l'air utilisé, le réservoir du compresseur doit être purgé quotidiennement.

Pour purger :

- Mettre le commutateur en position d'arrêt, tel qu'illustré à la section « Shut down » (Arrêt) de l'étiquette de consultation rapide.
 - Tirer l'anneau sur la soupape de soulagement de pression pour relâcher jusqu'à ce que fait pression sur la jauge lit moins que 20 psi par pouce carré, tel qu'illustré à la section « Shut down » (Arrêt) de l'étiquette de consultation rapide.
 - Relâche l'anneau.
 - Ouvrir le robinet de purge en le tournant vers la gauche, tel qu'illustré à la section « Shut down » (Arrêt) de l'étiquette de consultation rapide.
 - Le réservoir de pente de n pour drainer l'humidité du réservoir dans un récipient convenable.
- NOTE :** Les condensats sont polluants et doivent être éliminés conformément aux réglementations locales.
- Si les soupape d'égout sont obstruées, relâche toute pression atmosphérique, enlever et nettoyer des soupapes, alors réinstaller.

AVERTISSEMENT :

Débrancher le compresseur et évacuer complètement l'air des réservoir avant de procéder à tout entretien. Ne pas relâcher la pression du réservoir avant d'essayer de retirer le robinet de purge peut entraîner des blessures graves.

- Fermer le robinet de purge, en le tournant à fond vers la droite.

VÉRIFICATION DE LA SOUPAPE DE SÛRETÉ

Voir la figure 12, page 18.

DANGER :

Ne pas essayer de modifier la soupape de sûreté. Toute pièce desserrée de cette soupape risquerait d'être projetée et de blesser quelqu'un. Le non-respect de cet avertissement pourrait entraîner des blessures graves ou mortelles.

UTILISATION

La soupape de sûreté est conçue pour relâcher automatiquement la pression si elle dépasse le maximum prédéterminé. La soupape doit être nettoyée avant chaque journée d'utilisation en tirant sur son anneau.

- Mettre le compresseur en marche et laisser le réservoir se remplir. Le moteur du compresseur s'arrête une fois que la pression est parvenue au maximum prédéterminé.
- Arrêter le compresseur.
- Tirer la bague qui se trouve sur la valve de sécurité afin de d'évacuer de l'air pendant 3 à 5 secondes afin de libérer de l'air comprimé. Relâcher la bague. La valve de relâchement de sécurité doit être réarmée et maintenir la pression avant que tout l'air comprimé ne soit évacué du réservoir/réceptacle à pression.

- Toute perte d'air après l'exécution de ces étapes indique un problème avec la valve de sécurité. Cesser l'utilisation et effectuer l'entretien avant de continuer d'utiliser le compresseur d'air.

AVERTISSEMENT :

Si de l'air s'échappe une fois que l'anneau a été relâché ou si la soupape est bloquée et ne peut pas être actionnée par l'anneau, ne plus utiliser le compresseur jusqu'à ce que la soupape ait été remplacée. L'utilisation du compresseur avec une soupape de sûreté défectueuse peut entraîner des blessures graves.

ENTRETIEN

AVERTISSEMENT :

Utiliser exclusivement des pièces Ryobi® identiques à celles d'origine pour les réparations. L'usage de toute autre pièce pourrait créer une situation dangereuse ou endommager l'outil.

AVERTISSEMENT :

Toujours porter une protection oculaire certifiée conforme à la norme ANSI Z87.1 lors de l'utilisation de produit. Si une opération dégage de la poussière, porter également un masque anti-poussière.

AVERTISSEMENT :

Toujours relâcher complètement la pression, débrancher le compresseur et le laisser refroidir avant de le nettoyer ou d'effectuer des entretiens ou réparations.

AVERTISSEMENT :

Ne jamais laisser de liquides tels que le fluide de freins, l'essence, les produits à base de pétrole, les huiles pénétrantes, etc., entrer en contact avec les pièces en plastique. Les produits chimiques peuvent endommager, affaiblir ou détruire le plastique, ce qui peut entraîner des blessures graves. Les outils électriques utilisés sur la fibre de verre, le placoplâtre, les mastics de bouchage ou le plâtre s'usent plus vite et sont susceptibles de défaillance prématurée, car les particules et les éclats de fibre de verre sont fortement abrasifs pour les roulements, balais, commutateurs, etc. Toutefois, si l'outil a été utilisé sur l'un de ces matériaux, il est extrêmement important de le nettoyer à l'air comprimé.

LUBRIFICATION

Tous les roulements de cet outil sont enduits d'une quantité suffisante de lubrifiant de haute qualité pour la durée de vie de l'outil, dans des conditions d'utilisation normales. Aucune autre lubrification n'est donc nécessaire.

ENTRETIEN GÉNÉRAL

Éviter d'utiliser des solvants pour le nettoyage des pièces en plastique. La plupart des matières plastiques peuvent être endommagées par divers types de solvants du commerce. Utiliser un chiffon propre pour éliminer la saleté, la poussière, l'huile, la graisse, etc.

NOTE : FIGURES (ILLUSTRATIONS) COMMENÇANT SUR 16 DE PAGE APRÈS LE SECTION ESPAGNOL.

DÉPANNAGE

| PROBLÈME | CAUSE | SOLUTION |
|---|---|--|
| Le moteur du compresseur ne tourne pas | <p>Perte d'alimentation ou surchauffe</p> <p>Pas d'alimentation électrique</p> <p>Fusible du circuit d'alimentation grillé</p> <p>Disjoncteur du circuit d'alimentation déclenché</p> <p>Rupteur intensité ouvert</p> <p>Manostat défectueux</p> <p>Le réservoir est rempli d'air</p> | <p>S'assurer que le cordon prolongateur est de type correct</p> <p>Vérifier que la machine est branchée</p> <p>Examiner les fusibles / disjoncteurs</p> <p>Remplacer le fusible grillé</p> <p>Réarmer le disjoncteur et déterminer la cause du problème</p> <p>Moteur doit être permis de se refroidir pour 30 minutes avant remettre à l'état initial de manuel.</p> <p>Remplacer le manostat</p> <p>Le compresseur se met en marche lorsque la pression atteint le minimum</p> |
| Le moteur ronfle mais ne tourne pas ou tourne lentement | <p>Tension insuffisante</p> <p>Calibre ou longueur de prolongateur incorrect</p> <p>Enroulement de moteur ouvert ou court-circuité</p> <p>Soupape antiretour ou de décharge défectueuse</p> | <p>Vérifier la tension à l'aide d'un voltmètre</p> <p>Vérifier le calibre et la longueur du prolongateur</p> <p>Confier le compresseur à un centre de réparations</p> <p>Confier le compresseur à un centre de réparations</p> |
| Le rupteur intensité se déclenche constamment | <p>Tension insuffisante</p> <p>Ventilation insuffisante / température du local trop élevée</p> <p>Calibre ou longueur de prolongateur incorrect</p> | <p>Vérifier la tension à l'aide d'un voltmètre</p> <p>Emmener le compresseur à un endroit bien aéré. Moteur doit être permis de se refroidir pour 30 minutes avant remettre à l'état initial de manuel.</p> <p>Vérifier le calibre et la longueur du prolongateur</p> |
| La pression du réservoir baisse lorsque le moteur du compresseur s'arrête | <p>Branchements desserrés (raccords, flexible, etc.)</p> <p>Robinet de purge desserré</p> <p>Fuite à la soupape antiretour</p> | <p>Vérifier tous les branchements avec de l'eau savonneuse et les serrer selon le besoin</p> <p>Serrer le robinet de purge</p> <p>Confier le compresseur à un centre de réparations</p> <hr/> <p>⚠ DANGER : Ne pas retirer la soupape antiretour, les robinets de vidange ou la soupape de sûreté lorsque le réservoir contient de l'air - purger le réservoir.</p> <hr/> |
| Air de sortie trop humide | <p>Excédent d'eau dans le réservoir</p> <p>Humidité excessive</p> | <p>Purger le réservoir</p> <p>Emmener le compresseur à un endroit moins humide, utiliser un filtre à air en ligne</p> |
| Le moteur du compresseur tourne continuellement | <p>Manostat défectueux</p> <p>Consommation d'air excessive</p> <p>Les sonneries de piston sont portées</p> | <p>Confier le compresseur à un centre de réparations</p> <p>Réduire la consommation d'air. Le compresseur n'est pas assez puissant pour l'outil utilisé</p> <p>Remplacer les sonneries de piston ; le service clients d'Appel pour l'assistance</p> |
| Débit d'air inférieur à la normale | <p>Soupapes d'entrée brisées</p> <p>Fuites aux raccords</p> | <p>Confier le compresseur à un centre de réparations</p> <p>Serrer les raccords</p> |

ÍNDICE DE CONTENIDO

| | |
|--|----------------|
| ■ Introducción..... | 2 |
| ■ Garantía | 2 |
| ■ Reglas de seguridad generales | 3-4 |
| ■ Reglas de seguridad específicas..... | 4-5 |
| ■ Símbolos..... | 6-7 |
| ■ Eléctrica | 8 |
| ■ Glosario de términos | 9 |
| ■ Características..... | 9-10 |
| ■ Armado | 10-11 |
| ■ Funcionamiento | 11-14 |
| ■ Mantenimiento..... | 14 |
| ■ Solución de problemas..... | 15 |
| ■ Figura numeras (ilustraciones)..... | 16 |
| ■ Pedidos de piezas / Servicio | Pág. posterior |

INTRODUCCIÓN

Esta herramienta ofrece numerosas características para hacer más agradable y placentero su uso. En el diseño de este producto se ha conferido prioridad a la seguridad, el desempeño y la fiabilidad, por lo cual se facilita su manejo y mantenimiento.

GARANTÍA

HERRAMIENTAS ELÉCTRICAS RYOBI® – GARANTÍA LIMITADA DE DOS AÑOS Y POLÍTICA DE INTERCAMBIO A LOS 30 DÍAS

One World Technologies, Inc., garantiza sus herramientas eléctricas con las siguientes condiciones:

POLÍTICA DE INTERCAMBIO A LOS 30 DÍAS: Durante los primeros 30 días a partir de la fecha de compra, usted puede solicitar servicio al amparo de esta garantía o puede intercambiar cualquier herramienta eléctrica RYOBI® que no funcione correctamente debido a defectos en los materiales o en la mano de obra, devolviéndola en el establecimiento donde la adquirió. Para recibir la herramienta eléctrica de reemplazo o el servicio de garantía solicitado, debe presentar documentación de prueba de la compra, y devolver el equipo original empaquetado con el producto original. La herramienta eléctrica de reemplazo queda cubierta por la garantía limitada por el resto del período de garantía de dos años a partir de la fecha de la compra original.

LO QUE CUBRE ESTA GARANTÍA: Esta garantía cubre todos los defectos en material y en mano de obra empleados en la herramienta eléctrica RYOBI® por un período de dos años a partir de la fecha de compra. Con excepción de las baterías, los accesorios de las herramientas eléctricas están garantizados por noventa (90) días. Las baterías están garantizadas por dos años.

FORMA DE OBTENER SERVICIO: Simplemente envíe la herramienta eléctrica debidamente empaquetada y con el flete pagado por anticipado a un centro de servicio autorizado. Puede obtener información sobre la ubicación del centro de servicio autorizado más cercano escribiendo a One World Technologies, Inc., P.O. Box 1207, Anderson, SC 29622-1207, USA, llamando al 1-800-525-2579 o dirigiéndose al sitio en Internet, www.ryobitools.com. Al solicitar servicio al amparo de la garantía, debe presentar documentación de prueba de la compra que incluya la fecha de ésta (por ejemplo un recibo de venta). Reparamos toda mano de obra deficiente del producto, y reparamos o reemplazamos cualquier pieza defectuosa, a nuestra sola discreción. Lo hacemos sin cargarle ningún costo al consumidor. Efectuamos el trabajo en un período de tiempo razonable, pero en todo caso en menos de noventa (90) días.

LO QUE NO ESTÁ CUBIERTO: Esta garantía se ofrece exclusivamente al comprador original al menudeo y no puede transferirse. Esta garantía sólo cubre defectos que aparezcan en el uso normal de la herramienta y no cubre ningún malfuncionamiento, falla o defecto producido por el uso indebido, maltrato, negligencia, alteración, modificación o reparación efectuada por terceros diferentes de los centros de servicio autorizados. One World Technologies, Inc. no ofrece ninguna garantía, declaración o promesa en relación con la calidad o el desempeño de sus herramientas eléctricas más que las señaladas específicamente en esta garantía.

LIMITACIONES ADICIONALES: Toda garantía otorgada de conformidad con las leyes estatales, incluidas las garantías de comerciabilidad o idoneidad para un uso en particular, está limitada a dos años a partir de la fecha de compra. One World Technologies, Inc. no es responsable de daños directos, indirectos o incidentales, por lo tanto es posible que las limitaciones y exclusiones descritas arriba no se apliquen en el caso de usted. Esta garantía le confiere derechos legales específicos, y es posible que usted goce de otros derechos, los cuales pueden variar de estado a estado.

REGLAS DE SEGURIDAD GENERALES

ADVERTENCIA:

Lea y comprenda todas las instrucciones. El incumplimiento de las instrucciones señaladas abajo puede causar descargas eléctricas, incendios y lesiones serias.

GUARDE ESTAS INSTRUCCIONES

ÁREA DE TRABAJO

- **Mantenga limpia y bien iluminada el área de trabajo.** Una mesa de trabajo mal despejada y una mala iluminación son causas comunes de accidentes. El piso debe no estar resbaloso debido a la presencia de cera o polvo.
- **No utilice herramientas eléctrica en atmósferas explosivas, como las existentes alrededor de líquidos, gases y polvos inflamables.** Las herramientas eléctricas generan chispas que pueden encender el polvo y los vapores inflamables.
- **Mantenga alejados a los circunstantes, niños y demás presentes al utilizar herramientas.** Toda distracción puede causar la pérdida del control de la herramienta.
- **Utilice el compresor de aire en un área abierta por lo menos a 460 mm (18 pulg.) de cualquier pared u objeto que pudiera restringir el flujo de aire fresco a las aberturas de ventilación.**

SEGURIDAD ELÉCTRICA

- **Evite el contacto del cuerpo con las superficies de objetos conectados a tierra, como las tuberías, radiadores, estufas y refrigeradores.** Existe un mayor riesgo de descargas eléctricas si el cuerpo está en contacto con tierra.
- **No exponga las herramientas eléctricas a la lluvia ni a condiciones de humedad.** La introducción de agua en una herramienta eléctrica aumenta el riesgo de descargas eléctricas.
- **No maltrate el cordón eléctrico. Nunca use el cordón eléctrico para portar la herramienta ni para sacar la clavija de una toma de corriente. Mantenga el cordón lejos del calor, aceite, bordes afilados y piezas móviles. Cambie de inmediato todo cordón eléctrico dañado.** Los cordones eléctricos dañados aumentan el riesgo de descargas eléctricas.
- **Al utilizar una herramienta eléctrica en el exterior, utilice un cordón eléctrico de extensión que lleve las marcas "W-A" o "W".** Estos cordones eléctricos están aprobados para el uso en el exterior y reducen el riesgo de descargas eléctricas.

SEGURIDAD PERSONAL

- **Al cargar, utilizar y dar servicio a esta herramienta, el operador y demás personas SIEMPRE deben llevar puesta protección ocular que cumpla con las especificaciones ANSI y ofrezca protección contra partículas que salgan disparadas del FRENTE y de los LADOS.** Se requiere protección ocular como protección

contra sujetadores y desechos que salgan disparados, los cuales pueden causar lesiones oculares serias.

- **Siempre póngase protección ocular con la marca de cumplimiento de la norma ANSI Z87.1 junto con protección auditiva.** Si no cumple esta advertencia, los objetos que salen despedidos pueden producirle lesiones serias en los ojos.
- **En algunos entornos se requiere protección adicional.** Por ejemplo, en el área de trabajo puede haber exposición a un nivel de ruido que puede dañar el oído. El patrón y el operador deben asegurarse de contar con toda la protección auditiva necesaria y de que sea usada por el operador mismo y demás personas presentes en el área de trabajo. En algunos entornos se requiere el uso de equipo de protección para la cabeza. Cuando se requiera, el patrón y el operador deben asegurarse de que la protección usada para la cabeza lleve la marca de cumplimiento con la norma ANSI Z89.1.
- **Asegúrese de la compatibilidad de los accesorios antes de utilizarlos.**
- **Lea y comprenda el manual del operador de cualquier accesorio o herramienta accionada con aire antes de utilizarlos.**
- **Permanezca alerta, preste atención a lo que esté haciendo, y aplique el sentido común al utilizar herramientas eléctricas. No utilice la herramienta si está cansado o se encuentra bajo los efectos de alguna droga, alcohol o medicamento.** Un momento de inatención al utilizar una herramienta eléctrica puede causar lesiones corporales serias.
- **Vístase adecuadamente. No vista ropas holgadas ni joyas. Recójase el cabello si está largo. Mantenga el cabello, la ropa y los guantes alejados de las piezas móviles.** Las ropas holgadas, las joyas y el cabello largo pueden engancharse en las piezas móviles.
- **No estire el cuerpo para alcanzar mayor distancia. Mantenga una postura firme y buen equilibrio en todo momento.** La postura firme y el buen equilibrio permiten un mejor control de la herramienta en situaciones inesperadas.
- **Use equipo de seguridad. Siempre póngase protección ocular.** Cuando lo exijan las circunstancias debe ponerse careta contra el polvo, zapatos de seguridad antiderrapantes, casco o protección auditiva.
- **No utilice la unidad al estar en una escalera o en un soporte inestable.** Una postura estable sobre una superficie sólida permite un mejor control de la herramienta en situaciones inesperadas.

EMPLEO Y CUIDADO DE LA HERRAMIENTA

- **No sobrepase la presión nominal de ningún componente del sistema.**
- **Proteja de daños y perforaciones los conductos de material y de aire.** Mantenga la manguera y el cordón de corriente lejos de objetos afilados, productos químicos derramados, aceite, solventes y pisos mojados.

REGLAS DE SEGURIDAD GENERALES

- **Antes de usar la unidad revise las mangueras para ver muestran daños o desgaste, asegurándose de que estén seguras todas las conexiones.** No utilice la unidad si encuentra algún defecto. Adquiera una manguera nueva o lleve la unidad a un centro de servicio autorizado para que la examinen y reparen.
- **Purgue lentamente todas las presiones internas del sistema.** El polvo y la basura pueden ser dañinos.
- **Guarde las herramientas que no estén en uso fuera del alcance de los niños y de toda persona no capacitada en el uso de las mismas.** Las herramientas son peligrosas en manos de personas no capacitadas en el uso de las mismas.
- **Dé mantenimiento con cuidado a las herramientas.** Siga todas las instrucciones de mantenimiento. Las herramientas que han recibido el debido mantenimiento se controlan con mayor facilidad.
- **Revise para ver si hay desalineación o atoramiento de piezas móviles, ruptura de piezas o toda otra condición que pueda afectar el funcionamiento de la herramienta. Si se daña la herramienta, llévela a servicio antes de volver a utilizarla.** Numerosos accidentes son causados por herramientas mal cuidadas.
- **Nunca apunte ninguna herramienta hacia sí u otras personas.**
- **Mantenga el exterior del compresor de aire seco, limpio y libre de aceite y grasa.** Siempre utilice un paño limpio para la limpieza de la unidad. Nunca utilice fluidos para frenos, gasolina, productos a base de petróleo ni solventes fuertes para limpiar la unidad. Con el cumplimiento de esta regla se reduce el riesgo de deterioro del alojamiento de plástico de la unidad.

SERVICIO

- **El servicio de la herramienta sólo debe ser efectuado por personal de reparación calificado.** Todo servicio o mantenimiento efectuado por personal no calificado puede significar un riesgo de lesiones.
- **Desconecte el suministro de corriente, abra la válvula de drenaje para purgar la presión del tanque y permitir que se drene el agua, y por último permita que se enfríe el compresor antes de darle servicio.** Gire la completamente a la izquierda la perilla de regulación de la presión antes de apagar el compresor.
- **Al dar servicio a una herramienta, sólo utilice piezas de repuesto idénticas. Siga las instrucciones señaladas en la sección "Mantenimiento" de este manual.** El empleo de piezas no autorizadas o el incumplimiento de las instrucciones de mantenimiento puede significar un riesgo de lesiones.

REGLAS DE SEGURIDAD ESPECÍFICAS




- **Familiarícese con su herramienta eléctrica.** Lea cuidadosamente el manual del operador. Aprenda sus usos y limitaciones, así como los posibles peligros específicos de esta herramienta. Con el cumplimiento de esta regla se reduce el riesgo de una descarga eléctrica, incendio o lesión seria.
- **Después del uso de cada día, drene toda la humedad del tanque.** Si no va a utilizarse la unidad durante algún tiempo, es mejor dejar abierta la válvula de drenaje hasta cuando vuelva a usarse aquélla. De esta manera se permite drenar completamente la humedad y se impide la corrosión del interior del tanque.
- **No aplique con pistola líquidos inflamables en áreas cerradas.** El área de rociado debe estar bien ventilada. No fume mientras esté rociando con pistola, ni rocíe donde haya presentes chispas o flamas. Mantenga los compresores tan lejos del área de pintura y de vapores explosivos como sea posible, por lo menos a 4,6 m (15 pies).
- **Riesgo de estallido.** No ajuste el regulador para producir una presión de salida superior a la presión máxima marcada en el aditamento o en el artículo que está inflando. No use una presión superior a 135 psi.
- **Al inflar cualquier dispositivo, utilice un manómetro de aire periódicamente para verificar la presión de aire.**
- **Si va a conectar este producto a un circuito protegido con fusibles, utilice fusibles con retardo de tiempo.**
- **Para reducir el riesgo de una descarga eléctrica no exponga la unidad a la lluvia.** Guarde la unidad en el interior.
- **Inspeccione anualmente el tanque para ver si tiene herrumbre, picaduras u otras imperfecciones que pudieran afectar la seguridad de la unidad.** Nunca suelde el tanque de aire ni perfore agujeros en el mismo.
- **Asegúrese de que la manguera no esté obstruida ni enganchada.** Si la manguera se enreda o engancha puede causar una pérdida del equilibrio o postura y puede dañarse.
- **Uso de compresor de aire sólo para su uso. No alterar o modificar la unidad desde el diseño original o de la función.**
- **Siempre tome en cuenta que el mal uso y manejo inadecuado de esta herramienta may cause injury to yourself and others.**
- **No someta al asiento de trabajo a pesos que superen los 113,64 kg (250 lbs). De hacerlo, se podría dañar el producto.**

REGLAS DE SEGURIDAD ESPECÍFICAS










- **Nunca se pare en la base de trabajo ni la use como escalón.** Si se cumple esta regla, se reduce el riesgo de lesiones serias.
- **Para reducir el riesgo de sufrir lesiones, no utilice la base de trabajo como escalón o plataforma.**
- **Nunca deje desatendida ninguna herramienta con la manguera de aire conectada.**
- **No utilice esta herramienta si no tiene una etiqueta de advertencia.**
- **No continúe usando ninguna herramienta o manguera que tenga fugas de aire o que no funcione correctamente.**
- **Siempre desconecte el suministro de aire y el de corriente** antes de efectuar ajustes, dar servicio a la herramienta o cuando no esté usándose ésta.
- **No intente tirar de la manguera ni acarrear el compresor tomándolo por la misma.**
- **Una herramienta determinada puede necesitar más aire del que este compresor es capaz de suministrar.**
- **Siempre siga todas las reglas de seguridad recomendadas por el fabricante de la herramienta de aire, además de todas las reglas de seguridad del compresor de aire.** Con el cumplimiento de esta regla se reduce el riesgo de lesiones serias.
- **Nunca dirija un chorro de aire comprimido hacia personas o animales. Tenga cuidado de no soplar polvo o tierra hacia sí u otras personas.** Con el cumplimiento de esta regla se reduce el riesgo de posibles lesiones serias.
- **No utilice este compresor de aire para rociar productos químicos.** Pueden resultar afectados los pulmones debido a la inhalación de emanaciones tóxicas. Puede ser necesario utilizar un respirador en entornos polvorientos o al rociar pintura. No acarree la unidad mientras esté pintando.
- **Inspeccione periódicamente los cordones eléctricos y las mangueras de las herramientas, y si están dañados, permita que los reparen en el centro de servicio autorizado más cercano de la localidad. Observe constantemente la ubicación del cordón eléctrico.** Con el cumplimiento de esta regla se reduce el riesgo de una descarga eléctrica o incendio.
- **Nunca use un adaptador eléctrico con esta clavija de conexión a tierra.**
- **Revise para ver si hay piezas dañadas. Antes de seguir utilizando el compresor o la herramienta de aire, es necesario inspeccionar cuidadosamente toda protección o pieza dañada para determinar si funcionará correctamente y desempeñará la función a la que está destinada. Verifique la alineación de las partes móviles, que no haya atoramiento de las mismas, que no haya piezas rotas, el montaje de las piezas y cualquier otra condición que pudiera afectar su funcionamiento. Toda protección o pieza que esté dañada debe repararse apropiadamente o reemplazarse en un centro de servicio autorizado.** Con el cumplimiento de esta regla se reduce el riesgo de una descarga eléctrica, incendio o lesión grave.
- **Asegúrese de que esté en buen estado el cordón de extensión. Al utilizar un cordón de extensión, utilice uno del suficiente calibre para soportar la corriente que consume el producto. Se recomienda que los conductores sean de calibre 14 (A.W.G.) por lo menos para un cordón de extensión de 7,62 metros (25 pies) de largo o menos. No se recomienda utilizar un cordón con más de 15 metros (50 pies) de largo. Si tiene dudas, utilice un cordón del calibre más grueso siguiente. Cuanto menor es el número de calibre, mayor es el grueso del cordón. Un cordón de un calibre insuficiente causa una caída en el voltaje de línea, y produce recalentamiento y pérdida de potencia.**
- **Este equipo incorpora piezas como interruptores de acción inmediata, receptáculos y piezas similares que tienden a producir arcos o chispas, y por lo tanto, cuando dicho equipo está ubicado en una cochera, debe estar en un cuarto o alojamiento suministrado para tal propósito, o debe estar a 457,2 mm (18 pulg.) Del suelo o más.**
- **Nunca tienda equipas con herramienta con aire conectado.** Almacenar el instrumento con aire conectado puede tener como resultado despedir y herida inesperado personal, grave y posible.
- **Protéjase los pulmones.** Use una careta o mascarilla contra el polvo si la operación genera mucho polvo. Con el cumplimiento de esta regla se reduce el riesgo de lesiones corporales serias.
- **No utilice mangueras de aire con una presión superior a la psi nominal.** Si cumple esta regla, se reduce el riesgo de lesiones graves.
- **Si está dañado el cordón de corriente, debe ser reemplazado únicamente por el fabricante o en un centro de servicio autorizado para evitar riesgos.**
- **Guarde estas instrucciones.** Consúltelas con frecuencia y empléelas para instruir a otras personas que puedan utilizar esta herramienta. Si presta a alguien esta herramienta, facilítele también las instrucciones.

SÍMBOLOS

Las siguientes palabras de señalización y sus significados tienen el objeto de explicar los niveles de riesgo relacionados con este producto.


| SÍMBOLO | SEÑAL | SIGNIFICADO |
|---|---------------------|---|
|  | PELIGRO: | Indica una situación peligrosa inminente, la cual, si no se evita, causará la muerte o lesiones serias. |
|  | ADVERTENCIA: | Indica una situación peligrosa posible, la cual, si no se evita, podría causar la muerte o lesiones serias. |
|  | PRECAUCIÓN: | Indica una situación peligrosa posible, la cual, si no se evita, podría causar lesiones menores o leves. |
| | PRECAUCIÓN: | (Sin el símbolo de alerta de seguridad.) Indica una situación que puede producir daños materiales. |

Es posible que se empleen en este producto algunos de los siguientes símbolos. Le suplicamos estudiarlos y aprender su significado. Una correcta interpretación de estos símbolos le permitirá utilizar mejor y de manera más segura el producto.

| SÍMBOLO | NOMBRE | DENOMINACIÓN/EXPLICACIÓN |
|---|---------------------------------|--|
|  | Alerta de seguridad | Precauciones para su seguridad. |
|  | Lea el manual del operador | Para reducir el riesgo de lesiones, el usuario debe leer y comprender el manual del operador antes de usar este producto. |
|  | Protección ocular | Siempre póngase protección ocular con la marca de cumplimiento de la norma ANSI Z87.1. |
|  | Alerta de condiciones húmedas | No exponga la unidad a la lluvia ni la use en lugares húmedos. |
|  | Riesgo de estallido | No ajuste el regulador para producir una presión de salida superior a la presión máxima marcada en el aditamento o en el artículo que está inflando. No use una presión superior a 135 psi. |
|  | Riesgo de estallido o explosión | El área de rociado debe estar bien ventilada. No fume mientras esté rociando con pistola, ni rocíe donde haya presentes chispas o flamas. Mantenga los compresores tan lejos del área de pintura y de vapores explosivos como sea posible, por lo menos a 4,6 m (15 pies). |
|  | Riesgo de descarga eléctrica | Voltaje peligroso: Desconecte del suministro de corriente la unidad antes de proporcionarle servicio. El compresor debe conectarse a tierra. |
|  | Superficie caliente | Para reducir el riesgo de lesiones corporales o daños materiales evite tocar toda superficie caliente. |
|  | Riesgo de respiración | El aire obtenido directamente del compresor nunca debe utilizarse para consumo humano. |

SÍMBOLOS

Es posible que se empleen en este producto algunos de los siguientes símbolos. Le suplicamos estudiarlos y aprender su significado. Una correcta interpretación de estos símbolos le permitirá utilizar mejor y de manera más segura el producto.

| SÍMBOLO | NOMBRE | DENOMINACIÓN/EXPLICACIÓN |
|---|----------------------|-----------------------------------|
| A | Amperes | Corriente |
| Hz | Hertz | Frecuencia (ciclos por segundo) |
| ~ | Corriente alterna | Tipo de corriente |
|  | Fabricación Clase II | Fabricación con doble aislamiento |
| V | Volts | Voltaje |

PELIGRO

Este compresor (o bomba) no está equipado y debe evitarse utilizarlo para suministrar aire para respirar. Es necesario equipo adicional para filtrar y purificar debidamente el aire a fin de que cumpla las especificaciones mínimas de Grado D para respiración, según se explica en la Especificación de Productos G 7.1 - 1966 de la Asociación de Proveedores de Equipo de Gas Comprimido (Compressed Gas Association), OSHA 29 CFR 1910.134. Compressed Gas Association, 4221 Walney Road, Fifth Floor, Chantilly, VA 20151-2923, (703) 788-2700, www.cganet.com. Tal equipo adicional no ha sido examinado y no debe suponerse o deducirse ninguna conclusión con respecto al correcto uso del aire de respiración.

Si se altera de cualquier forma este compresor, quedan anuladas todas las garantías presentes. Ryobi®. y One World Technologies, Inc., se eximen de toda responsabilidad de cualquier tipo por cualquier pérdida, lesión corporal o daño material.

EXTENCIÓN DE RESPONSABILIDAD DE LAS GARANTÍAS

En caso de utilizarse los compresores para suministrar aire de respiración, y no utilizarse simultáneamente equipo en línea de seguridad y alarma apropiado, se anulan todas las garantías presentes, y Ryobi®. se exime de toda responsabilidad de cualquier tipo por cualquier pérdida, lesión física o daño material que resulte.

ASPECTOS ELÉCTRICOS

CORDONES DE EXTENSIÓN

Sólo utilice cordones de extensión de tres conductores con clavijas de tres patillas y receptáculos de tres polos que acepten la clavija del cordón del compresor. Al utilizar el compresor de aire a una distancia considerable del suministro de corriente, asegúrese de utilizar un cordón de extensión del grueso suficiente para soportar el consumo de corriente del compresor. Un cordón de extensión de un grueso insuficiente causa una caída en el voltaje de línea, además de producir una pérdida de potencia y un recalentamiento del motor. Básese en la tabla suministrada abajo para determinar el calibre mínimo requerido de los conductores del cordón de extensión. Solamente deben utilizarse cordones con forro redondo registrados en Underwriter's Laboratories (UL).

**Amperaje (aparece en la placa de datos del compresor)

| Longitud del cordón | Calibre conductores (A.W.G.) | | | | | |
|---------------------|------------------------------|---------|---------|---------|----------|-----------|
| | 0-2.0 | 2.1-3.4 | 3.5-5.0 | 5.1-7.0 | 7.1-12.0 | 12.1-16.0 |
| 25' | 16 | 16 | 16 | 16 | 14 | 14 |
| 50' | 16 | 16 | 16 | 14 | 14 | 12 |
| 100' | 16 | 16 | 14 | 12 | 10 | — |

**Se usa en los circuitos de calibre 12, de 20 A.

NOTA: AWG = Calibre conductores norma americana

Al trabajar a la intemperie con el compresor, utilice un cordón de extensión fabricado para uso en el exterior. Tal característica está indicada con las letras "W-A" o "W" en el forro del cordón.

Antes de utilizar un cordón de extensión, inspecciónelo para ver si tiene conductores flojos o expuestos y aislamiento cortado o gastado.

ADVERTENCIA:

Mantenga el cordón de extensión fuera del área de trabajo. Al trabajar con una herramienta eléctrica, coloque el cordón de tal manera que no pueda enredarse en la madera, herramientas o ninguna obstrucción. La inobservancia de esta advertencia puede causar lesiones serias.

ADVERTENCIA:

Inspeccione los cordones de extensión cada vez antes de usarlos. Si están dañados, reemplácelos de inmediato. Nunca utilice el compresor con un cordón dañado, ya que si toca la parte dañada puede producirse una descarga eléctrica, y las consecuentes lesiones serias.

CONEXIÓN ELÉCTRICA

Este compresor de aire está accionado por un motor eléctrico fabricado con precisión. Debe conectarse únicamente a **una línea de voltaje de 120 V, 60 Hz, de corriente alterna solamente (corriente normal para uso doméstico)**. No utilice esta herramienta con corriente continua (c.c.). Una caída considerable de voltaje causa una pérdida de potencia y el recalentamiento del motor. Si el compresor no funciona al conectarlo en una toma de corriente, vuelva a revisar el suministro de corriente.

INSTRUCCIONES DE CONEXIÓN A TIERRA

En caso de un mal funcionamiento o desperfecto, la conexión a tierra brinda a la corriente eléctrica una trayectoria de mínima resistencia para disminuir el riesgo de una descarga eléctrica. Este compresor de aire está equipado de un cordón eléctrico con una clavija dotada de un conductor de conexión a tierra. La clavija debe conectarse en una toma de corriente igual que esté instalada y conectada a tierra correctamente, de conformidad con los códigos y reglamentos de la localidad.

No modifique la clavija suministrada. Si no entra en la toma de corriente, llame a un electricista calificado para que instale una toma de corriente adecuada.

ADVERTENCIA:

Si no se instala debidamente la clavija de conexión a tierra se puede producir un riesgo de descarga eléctrica. Cuando se debe reparar o reemplazar el cordón, no conecte el alambre de conexión a tierra a ninguna de las terminales de punta plana. El alambre con aislamiento que tiene una superficie exterior verde con o sin tiras amarillas es el alambre de conexión a tierra.

Consulte a un electricista calificado o técnico de servicio si no ha comprendido completamente las instrucciones de conexión a tierra o si no está seguro si la herramienta está conectada a tierra correctamente.

Repare o reemplace de inmediato todo cordón dañado o gastado.

Este compresor de aire debe utilizarse conectado a un circuito con una toma de corriente como la mostrada en la figura 1. También dispone de una patilla de conexión a tierra como la mostrada. Este producto debe conectarse a tierra.

Vea la figura 1, pagina 16..

GLOSARIO DE TÉRMINOS

Filtro de aire

Es un elemento poroso contenido dentro de un alojamiento de metal o plástico unido al cilindro de la culata del cilindro del compresor, el cual sirve para eliminar las impurezas del aire de entrada del compresor.

Tanque de aire

Es un componente cilíndrico que contiene el aire comprimido.

Interruptor de sobrecarga de amperaje (Manual)

Sirve para apagar automáticamente el compresor si la amperaje del motor eléctrico se excede de un límite predeterminado.

Válvula de retención

Es un dispositivo cuya función es impedir que el aire comprimido se regrese del tanque de aire a la bomba del compresor.

Presión de activación

Es la presión baja a la cual arranca automáticamente el motor.

Presión de interrupción

Es la presión alta a la cual se apaga automáticamente el motor.

Motor eléctrico

Es el dispositivo encargado de suministrar la fuerza rotatoria necesaria para accionar la bomba del compresor.

NPT (Norma Nacional de Roscado de Tubos)

Debe utilizarse una cinta selladora de roscas para tener un sello a prueba de fugas en las conexiones roscadas de tubos.

Perilla de regulación de presión

Sirve para regular la presión de la salida de aire dirigida a la herramienta. Es posible aumentar o disminuir la presión presente en la salida ajustando esta perilla de control.

Interruptor de presión

Sirve para controlar los ciclos de encendido y apagado del compresor. Apaga el compresor cuando se alcanza la presión de interrupción del tanque y arranca el compresor cuando la presión del aire desciende abajo de la presión de interrupción.

Libras por pulgada cuadrada (psi)

Son las unidades de medida de la presión ejercida por la fuerza del aire. La presión real en psi es medida por el manómetro del compresor.

Bomba

Es el dispositivo que produce el aire comprimido mediante un pistón de vaivén contenido dentro del cilindro.

Manómetro regulador

Muestra la presión actual en el conducto. La presión del conducto se ajusta girando la perilla de regulación de presión.

Válvula de seguridad

Su función es impedir que la presión del aire ascienda más allá de un límite predeterminado.

PCEPM (Pies cúbicos estándar por minuto) o PCPM (Pies cúbicos por minuto)

Pies cúbicos estándar por minuto — la unidad de medida de suministro de aire.

Manómetro del tanque

Sirve para indicar la presión interna del tanque.

CARACTERÍSTICAS

ESPECIFICACIONES DEL PRODUCTO

Capacidad del tanque de aire3,0 gal.
Suministro de aire.....2,0 SCFM @ 90 psi
Presión de aire..... 135 psi max.
Corriente de entrada 120 V, sólo corr. alt. 60 Hz. 9,0 A

Manómetro del tanque38,1 mm (1,5 pulg.) diameter
Manómetro regulador.....50,8 mm (2 pulg.) diameter
Peso neto 4,3 kg (32 lbs.)

FAMILIARÍCESE CON EL COMPRESOR DE AIRE

Vea la figura 2, pagina 16.

El uso seguro que este producto requiere la comprensión de la información impresa en la herramienta y en el manual del operador así como ciertos conocimientos sobre el proyecto a realizar. Antes de usar este producto, familiarícese con todas las características de funcionamiento y normas de seguridad.

MANGO DE ACARREO

El compresor de aire cuenta con un mango de acarreo para facilitar el traslado.

SOPORTE PARA ENROLLAR EL CORDÓN

Este soporte permite guardar el cordón ordenadamente para que no estorbe.

LUGAR DE ALMACENAMIENTO PARA ACCESORIOS

El compresor de aire tiene un lugar de almacenamiento para accesorios.

VÁLVULA DE DRENAJE

La válvula de drenaje del tanque elimina la condensación para evitar la corrosión del tanque

CARACTERÍSTICAS

MANGO PLEGABLE Y EMPUÑADURAS DEL MANGO

El compresor de aire está equipado con empuñaduras convenientemente ubicadas para levantarlo y con un mango plegable que puede ajustarse para el almacenamiento y el traslado.

FUERTE MARCO DE PLÁSTICO

Marco de plástico el compresor de aire para ayudar a proteger los manómetros y previene los daños producidos por el impacto.

CARRETE DE MANGUERA INCORPORADO CON MANGUERA DE AIRE DE 7,62 M (25 PIES)

Esta herramienta está equipada con un carrete de manguera incorporado en el que se pueden enrollar hasta 7,62 m (25 pies) de manguera de aire de 6,35 mm (1/4 pulg.). Con el compresor de aire, se incluye una manguera de 7,62 m (25 pies).

BOMBA DE LUBRICACIÓN PERMANENTE

La bomba de lubricación permanente reduce la necesidad de realizar tareas de mantenimiento.

PERILLA DEL REGULADOR DE PRESIÓN

Use la perilla del regulador de presión para ajustar la cantidad de aire que se suministra a través de la manguera. Si se presiona la perilla, esta se traba en su lugar. De esta manera, se evita que la perilla se mueva debido a la vibración que se produce durante el funcionamiento.

ACOPLADORES RÁPIDOS

El compresor de aire tiene dos acopladores rápidos de 6,35 mm (1/4 pulg.) ubicados en el panel de control. Existe un tercer acoplador rápido en el carrete de manguera.

MANÓMETRO REGULADOR

La presión de línea actual se muestra en el manómetro regulador. Esta presión puede ajustarse girando la perilla del regulador de presión.

VÁLVULA DE SEGURIDAD

La válvula de seguridad está diseñada para liberar aire automáticamente en caso de que la presión del tanque de aire supere el máximo prefijado.

ÁREAS DE ALMACENAMIENTO DE CONEXIÓN LATERAL

Las áreas de almacenamiento de conexión lateral pueden asegurar hasta dos clavadoras neumáticas.

MANÓMETRO DEL TANQUE

El manómetro del tanque indica la presión de aire en el tanque.

ALMACENAMIENTO EN POSICIÓN VERTICAL

El compresor de aire ha sido diseñado para que pueda guardarse de manera segura tanto en posición horizontal como vertical.

BASE DE TRABAJO

El compresor de aire cuenta con una base de trabajo incorporada que puede sostener hasta 113,4 kg (250 lb).

ARMADO

DESEMPAQUETADO

Este producto requiere la asamblea.

- Extraiga cuidadosamente de la caja el producto y los accesorios. Asegúrese de que estén presentes todos los artículos enumerados en la lista de empaquetado.



ADVERTENCIA:

No use este producto si no está totalmente ensamblado o si alguna pieza falta o está dañada. Si utiliza un producto que no se encuentra ensamblado de forma correcta y completa, puede sufrir lesiones graves.

- Inspeccione cuidadosamente el producto para asegurarse de que no haya sufrido ninguna rotura o daño durante el transporte.

- No deseche el material de empaquetado sin haber inspeccionado cuidadosamente el producto y haberla utilizado satisfactoriamente.
- Si hay piezas dañadas o faltantes, le suplicamos llamar al 1-800-525-2579, donde le brindaremos asistencia.

LISTA DE EMPAQUETADO

Manguera de Aire de 7,62 m (25 pies)

Compresor de aire con carrete de manguera

Enchufe dentado (sujeto a la manguera)

Manual del operador

La unidad puede venir con accesorios adicionales. Comprobar una lista de accesorios adicionales.

ARMADO

ADVERTENCIA:

No intente modificar esta herramienta ni hacer accesorios no recomendados para la misma. Cualquier alteración o modificación constituye maltrato el cual puede causar una condición peligrosa, y como consecuencia posibles lesiones corporales serias.

ADVERTENCIA:

No conecte el conector de inflado o la otra producto en el extremo abierto de la manguera sin haber efectuado el procedimiento inicial.

FUNCIONAMIENTO

PELIGRO:

No desmonte la válvula de retención, las válvulas de drenaje de los tanques ni la válvula de seguridad habiendo aire en el tanque; primero purgue el tanque. Si no se purga la presión de los tanques puede causar explosión y/o lesiones corporales serias.

ADVERTENCIA:

No permita que su familiarización con las herramientas lo vuelva descuidado. Tenga presente que un descuido de un instante es suficiente para causar una lesión seria.

ADVERTENCIA:

Siempre póngase protección ocular con la marca de cumplimiento de la norma ANSI Z87.1. Si no cumple esta advertencia, los objetos que salen despedidos pueden producirle lesiones serias en los ojos.

ADVERTENCIA:

Este equipo incorpora piezas como interruptores de acción inmediata, receptáculos y piezas similares que tienden a producir arcos o chispas, y por lo tanto, cuando dicho equipo está ubicado en una cochera, debe estar en un cuarto o alojamiento suministrado para tal propósito, o debe estar a 460 mm (18 pulg.) del suelo o más.

ADVERTENCIA:

No conecte ninguna herramienta en el extremo abierto de la manguera sin haber efectuado el procedimiento inicial. Conecte la herramienta demasiado temprano puede causar en marcha accidentalmente, con el consiguiente riesgo de lesiones corporales serias.

PRECAUCIÓN:

No utilice la unidad en ningún entorno polvoriento o contaminado de cualquier forma. Si se utiliza el compresor de aire en este tipo de entorno puede dañarse.

USOS

Los compresores de aire se utilizan en una variedad de sistemas de suministro de aire. Las mangueras, conectores, herramientas de aire y accesorios deben corresponder a la capacidad del compresor de aire.

Este producto puede emplearse para los fines siguientes:

- Accionamiento de algunas herramientas de aire
- Utilización de accesorios de aire como boquillas e infladores
- Opera algunos productos para rociar pintura accionados con aire

TRASLADO DEL COMPRESOR DE AIRE

Vea la figuras 3 - 4, pagina 17.

Para trasladar el compresor de aire, en la figura 6. De esta manera, evitará que las ruedas o el compresor de aire se dañen al desplazarse sobre obstáculos en el camino.

To move the air compressor:

- Asegúrese de que el interruptor de **AUTOMÁTICO/APAGADO** esté en la posición **OFF** y que el compresor de aire esté desconectado.

NOTA: Para reducir el riesgo de tropezarse, asegure la manguera de 7,62 m (25 pies) al clip ubicado en la parte exterior del carrete de manguera incorporado.

- Tire hacia afuera el mango plegable.
- Colóquese de frente a la parte posterior del compresor de aire y sujete el mango plegable firmemente con ambas manos.
- Incline el compresor de aire hacia usted hasta que se sostenga sobre sus ruedas.
- Gire la unidad, colóquese delante de ella y tire de ésta para colocarla en el lugar deseado
- Baje el compresor de aire hasta que se apoye firmemente sobre una superficie plana.

FUNCIONAMIENTO

CÓMO BAJAR EL COMPRESOR DE AIRE POR LAS ESCALERAS

Vea la figura 5, página 17.

Para bajar el compresor de aire por las escaleras:

- Con el mango de acarreo, sujete firmemente la unidad. Levante la unidad hasta alcanzar una posición de acarreo cómoda y segura.
NOTA: Emplee técnicas correctas para levantar la unidad y solicite ayuda si es necesario.
- Manteniendo los pies bien asentados y el equilibrio, sostenga firmemente la unidad utilizando el mango retráctil a medida que desplaza la unidad hacia abajo, escalón por escalón
- Tenga cuidado al subir o bajar la unidad por las escaleras para evitar daños en el dispositivo o en la escalera.
- Baje el compresor de aire hasta que se apoye firmemente sobre una superficie plana.

ALMACENAMIENTO DE LA HERRAMIENTA

Vea las figuras 6 - 7, página 17.

- Los accesorios neumáticos se pueden almacenar en el compartimiento para accesorios.
- Algunas clavadoras neumáticas se pueden montar en los lados del compresor de aire mediante las áreas de almacenamiento de conexión lateral. No se deben guardar en estas áreas de almacenamiento las clavadoras de entramar y las clavadoras para techos, ya que son demasiado grandes.

NOTA: Desconecte siempre las herramientas de la manguera de aire y cierre correctamente la caja de herramientas antes de almacenarla.

- El compresor de aire se debe almacenar en una superficie plana y estable, tanto en posición horizontal como vertical.

NOTA: No suspenda el compresor de aire, ya que esto puede causar daños al compresor o provocar lesiones graves.

AUTOMÁTICO/APAGADO

Vea la figura 8, página 17.

- Conecte el compresor de aire al suministro de corriente. Coloque el interruptor de alimentación en la posición **AUTO** para encender el compresor. Como se muestra en la sección de puesta en marcha de la etiqueta de referencia rápida.

NOTA: El compresor no debe ponerse en funcionamiento si está en posición vertical.

- Para apagar el compresor de aire, coloque el interruptor en la posición **OFF**.

NOTA: Cuando el compresor esté en la posición **AUTO**, este se encenderá nuevamente de forma automática cuando la presión designada del aire del tanque sea inferior al límite

de presión prefijado. También se apagará nuevamente al alcanzar la presión deseada.

REAJUSTE DEL COMPRESOR

Cuando el amperaje que ingresa al compresor de aire excede el amperaje especificado, el compresor de aire se apaga automáticamente.

Para reajustar el compresor de aire:

- Apague el compresor de aire.
- Unplug the air compressor to allow unit to cool and to trigger reset
NOTE: If the overload protector is actuated, the motor must be allowed to cool down for 30 minutes.
- Enchufe el compresor de aire en una toma de corriente aprobada.
- Encienda el compresor de aire.



ADVERTENCIA

No exceda el régimen de presión de aire de la herramienta que recomienda el fabricante. Cuando utilice este compresor de aire para inflar, siga las pautas del nivel de inflado máximo que indica el fabricante del artículo que desea inflar.



ADVERTENCIA

Asegúrese siempre de que el interruptor esté en la posición **OFF** y el manómetro regulador esté en cero antes de cambiar las herramientas neumáticas o desconectar la manguera de la salida de aire. La inobservancia de esta advertencia puede causar lesiones serias.

CONEXIÓN Y DESCONEXIÓN DE LAS MANGUERAS Y LAS HERRAMIENTAS AL COMPRESOR DE AIRE

Vea las figuras 8 - 10, páginas 17 - 18.

Cuando la conexión de un neumático de aire clavadora de aire u otros herramienta siempre siga las instrucciones del fabricante recomienda procedimiento de puesta en marcha.

Para conectar o desconectar una manguera al compresor de aire, o para conectar o desconectar una herramienta a una manguera de aire, siga los siguientes pasos:

- Asegúrese de que el interruptor de **AUTOMÁTICO/APAGADO** esté en la posición **OFF** y que el compresor de aire esté desconectado.
- Asegúrese de que la presión de salida sea cero (0) psi girando la perilla del regulador por completo hacia la izquierda. Así se reduce completamente la presión de aire en la salida.

FUNCIONAMIENTO

NOTA: La presión de aire aumenta en la salida si se gira la perilla hacia la derecha. La presión de aire disminuye en la salida si se gira la perilla hacia la izquierda.

- Sujete la manguera de aire al acoplador, que se encuentra en un lado del compresor de aire.
- Extraiga del carrete de manguera incorporado el largo de manguera que desee.
- Conecte la herramienta neumática o el accesorio con un adaptador de conexión rápida NPT de 6,35 mm (1/4 pulg.) al acoplador rápido de 6,35 mm (1/4 pulg.) en el carrete de manguera montado.
- Conecte el compresor de aire al suministro de corriente y coloque el interruptor en la posición **AUTO**.
- Permita que la unidad alcance la presión máxima, como se indica en el manómetro del tanque.
- Ajuste el regulador a la presión deseada girando la perilla del regulador de presión. La presión del regulador se mostrará en el manómetro marcado como salida.

Para desconectar una manguera de aire o una herramienta neumática:

- Asegúrese de que la presión de salida sea cero (0) ps
- Al desconectar una manguera del acoplador rápido de 6,35 mm (1/4 pulg.), sostenga siempre con firmeza el extremo de la manguera desconectado.
- Tire del casquillo de liberación del adaptador rápido de 6,35 mm (1/4 pulg.)
- Mientras lo sujeta firmemente, tire del adaptador de aire de conexión rápida que está conectado al acoplador rápido.

CONEXIÓN DE UNA HERRAMIENTA NEUMÁTICA AL COMPRESOR DE AIRE

- Siga las instrucciones del fabricante de la herramienta.

NOTA: Cada herramienta es diferente. Consulte las instrucciones del fabricante antes de operar la herramienta en posición sedente.

UTILIZACIÓN DEL COMPRESOR DE AIRE

Vea la figura 11, página 18.

ADVERTENCIA:

Riesgo de estallido. No ajuste el regulador para producir una presión de salida superior a la presión máxima marcada en el aditamento o en el artículo que está inflando. No use una presión superior a 135 psi. Si cumple esta regla, se reduce el riesgo de lesiones graves.

ADVERTENCIA:

Una herramienta determinada puede necesitar más aire del que este compresor es capaz de suministrar. Estudie el manual de la herramienta para evitar dañarla y sufrir un riesgo de lesiones.

- Siga las instrucciones en “Conexión y desconexión de las mangueras y las herramientas al compresor de aire”.
- Controle la cantidad de flujo de aire con la perilla del regulador de presión. Si se gira la perilla completamente hacia la izquierda se detendrá el flujo de aire por completo, como se muestra en la sección de apagado de la etiqueta de referencia rápida.

NOTA: Utilice siempre el nivel mínimo de presión necesario para la aplicación. Si utiliza más presión de la necesaria, el aire se drenará más rápido del tanque y la unidad regresará a su punto de partida con mayor frecuencia.

- Una vez que finalice, drene siempre el tanque y desconecte la unidad. No deje la unidad conectada ni deje de supervisarla mientras se encuentre en funcionamiento.

DRENADO DEL TANQUE

Vea las figuras 12 - 13, página 18.

Como ayuda para impedir la corrosión del tanque y mantener el aire libre de humedad, debe drenarse diariamente el tanque del compresor.

Para drenar el tanque:

- Apague el compresor de aire, como se muestra en la sección de apagado de la etiqueta de referencia rápida.
- Tire del aro de la válvula de presión alivio para soltar aire hasta que manómetro lee menos que 20 psi, como se muestra en la sección de apagado de la etiqueta de referencia rápida.
- Suelte el aro.
- Gire a la izquierda la válvula de drenaje para abrirla, como se muestra en la sección de apagado de la etiqueta de referencia rápida.
- Inclíne el tanque cuando mostrado drene la humedad del tanque, recibéndola en un recipiente adecuado.

NOTA: La humedad condensada es material contaminante y debe desecharse de conformidad con los reglamentos locales.

- Si se tapa la válvula de drenaje, purgue toda la presión de aire, retire la válvula, límpiela y vuelva a instalarla.

ADVERTENCIA:

Desconecte el compresor de aire y suelte todo el aire de los tanques antes de prestar servicio a la unidad. Si no se purga la presión de los tanques antes de intentar retirar las válvulas, pueden producirse lesiones serias.

- Gire a la derecha las válvula de drenaje hasta dejarlas firmemente cerradas.

FUNCIONAMIENTO

REVISIÓN DE LA VÁLVULA DE SEGURIDAD

Vea la figura 12, página 18.

PELIGRO:

No intente forzar o alterar la válvula de seguridad. Cualquier pieza floja de este dispositivo puede volar y golpearlo. La inobservancia de esta advertencia podría causar lesiones serias, e incluso la muerte.

La válvula de seguridad está diseñada para soltar aire automáticamente si la presión del aparato receptor del aire sobrepasa el límite máximo prefijado. Debe revisarse la válvula cada día antes de usar la unidad; para ello, tire del aro con la mano.

- Encienda el compresor y permita que se llenen los tanques. El compresor se apaga cuando la presión alcanza el límite máximo prefijado.
- Apague el compresor.

- Tire del anillo de la válvula de seguridad durante tres o cinco segundos para permitir el escape del aire presurizado. Suelte el anillo. La válvula de descarga de seguridad debe reajustar y mantener el nivel de la presión antes de que todo el aire comprimido se libere del tanque o del recipiente de presión.
- Si registra una pérdida constante de aire luego de realizar los pasos anteriores, habrá detectado un problema en la válvula de seguridad. Deje de utilizar el compresor de aire y solicite el servicio de mantenimiento antes seguir usando la unidad.

ADVERTENCIA:

Si se fuga aire después de soltar el aro, o si está pegada la válvula y no puede accionarse con el aro, no utilice el compresor de aire, sino hasta haber reemplazado la válvula. Utilizar el compresor de aire en estas condiciones puede producir lesiones serias.

MANTENIMIENTO

ADVERTENCIA:

Para el servicio de la unidad sólo utilice piezas de repuesto Ryobi® idénticas. El empleo de piezas diferentes puede causar un peligro o dañar el producto.

ADVERTENCIA:

Cuando utilice este producto, siempre póngase protección ocular con la marca de cumplimiento de la norma ANSI Z87.1. Si la operación genera mucho polvo, también póngase una mascarilla contra el polvo.

ADVERTENCIA:

Siempre purgue toda la presión, desconecte la unidad del suministro de corriente y permita que se enfríe antes de limpiarla o efectuarle reparaciones.

ADVERTENCIA:

No permita en ningún momento que fluidos para frenos, gasolina, productos a base de petróleo, aceites penetrantes, etc., lleguen a tocar las piezas de plástico. Las sustancias químicas pueden dañar, debilitar o destruir el plástico, lo cual a su vez puede producir lesiones corporales serias. Las herramientas eléctricas que se utilizan en materiales de fibra de vidrio, paneles de yeso para paredes, compuestos de resaca o yeso, están sujetas a desgaste acelerado y posible fallo prematuro porque las partículas y limaduras de fibra de vidrio son altamente abrasivas para los cojinetes, escobillas, conmutadores, etc. Por consiguiente, no recomendamos el uso de esta herramienta durante períodos prolongados de trabajo en estos tipos de materiales. Sin embargo, si usted trabaja con cualquiera de estos materiales, es sumamente importante limpiar la herramienta con aire comprimido.

GENERAL MAINTENANCE

Evite el empleo de solventes al limpiar piezas de plástico. La mayoría de los plásticos son susceptibles a diferentes tipos de solventes comerciales y pueden resultar dañados. Utilice paños limpios para eliminar la suciedad, el polvo, el aceite, la grasa, etc

LUBRICACIÓN

Todos los cojinetes de este producto están lubricados con una cantidad suficiente de lubricante de alta calidad para la durabilidad de la unidad en condiciones de funcionamiento normales. Por lo tanto, no se requiere lubricación adicional.

SOLUCIÓN DE PROBLEMAS


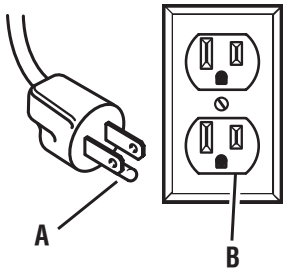
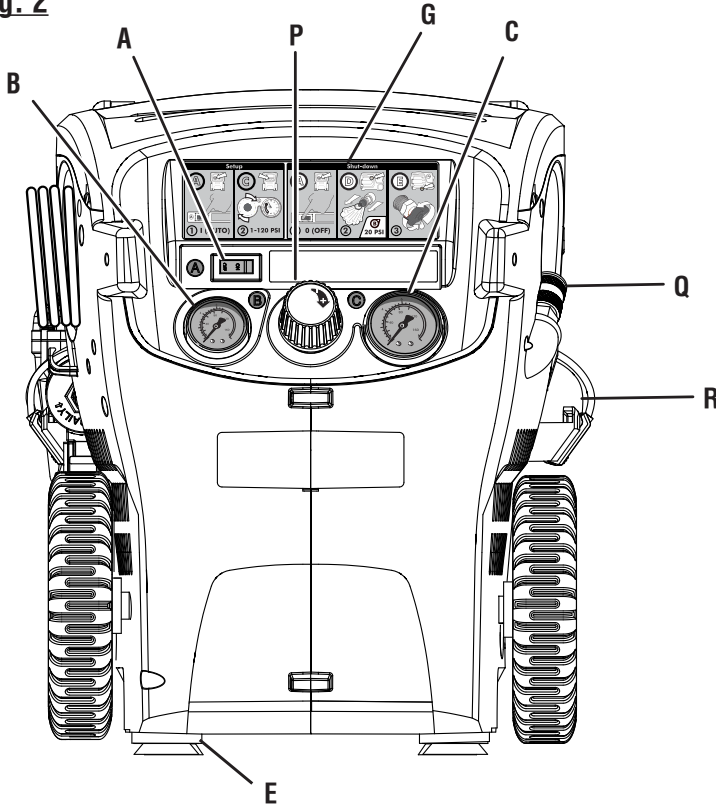
| PROBLEMA | CAUSA | SOLUCIÓN |
|---|---|---|
| El compresor no arranca | <p>Recalentamiento o pérdida de potencia</p> <p>No hay corriente eléctrica</p> <p>Fusible fundido en el taller o casa</p> <p>Disyuntor abierto en el taller o casa</p> <p>Protector sobrecarga amperaje activado</p> <p>Interruptor de presión defectuoso</p> <p>Tanque lleno de aire</p> | <p>Verifique cordón de extensión esté usándose de forma correcta</p> <p>Revise para asegurarse de que esté conectada la unidad; Revise fusible, disyuntor o protector contra sobrecarga térmica</p> <p>Reemplace el fusible fundido del taller o casa</p> <p>Restablezca el disyuntor del taller o casa, y determine la causa del problema</p> <p>Se debe permitir que el motor se enfríe durante 30 minutos antes de proceder al reajuste automático.</p> <p>Reemplace el interruptor de presión</p> <p>El compresor se enciende cuando la presión del tanque desciende a la presión de activación</p> |
| El motor zumba pero no funciona o lo hace con lentitud | <p>Voltaje bajo</p> <p>Cordón de extensión de calibre o longitud equivocados</p> <p>El devanado del motor tiene corto o está abierto</p> <p>Válvula de retención o de seguridad defectuosa</p> | <p>Revisar con voltímetro</p> <p>Verifique que el calibre y la longitud del cable sean los correctos</p> <p>Lleve el compresor a un centro de servicio</p> <p>Lleve el compresor a un centro de servicio</p> |
| El protector contra sobrecarga amperaje interrumpe la corriente continuamente | <p>Voltaje bajo</p> <p>Ventilación insuficiente / temperatura ambiental demasiado elevada</p> <p>Cordón de extensión de calibre o longitud equivocados</p> | <p>Revise con voltímetro</p> <p>Lleve el compresor a un lugar bien ventilado. se debe permitir que el motor se enfríe durante 30 minutos antes de proceder al reajuste manual.</p> <p>Verifique que el calibre y la longitud del cable sean los correctos</p> |
| La presión del aparato receptor del aire desciende cuando se apaga el compresor | <p>Conexiones flojas (adaptadores, mangueras, etc.)</p> <p>Válvula de drenaje floja</p> <p>Revise para ver si hay fugas en la válvula</p> | <p>Revise todas las conexiones con solución de agua y jabón, y apriételas</p> <p>Apriete la válvula de drenaje</p> <p>Lleve el compresor a un centro de servicio</p> <hr/> <p> PELIGRO:</p> <p>No desmonte la válvula de retención, las válvulas de drenaje de los tanques ni la válvula de seguridad habiendo aire en el tanque; primero purgue el tanque.</p> <hr/> |
| Humedad excesiva en el aire de descarga | <p>Cantidad excesiva de agua en el tanque de aire</p> <p>Alta humedad</p> | <p>Drene el tanque</p> <p>Lleve la unidad a un lugar de menor humedad; use un filtro de aire en línea</p> |
| El compresor funciona continuamente | <p>Interruptor de presión defectuoso</p> <p>Uso excesivo de aire</p> <p>Los aros de pistón son llevados</p> | <p>Lleve el compresor a un centro de servicio</p> <p>Disminuya el consumo de aire; el compresor no es de la suficiente capacidad para las necesidades de la herramienta</p> <p>Reemplace aros de pistón; el servicio de atención al cliente de la Llamada para la ayuda</p> |
| Producción de aire más baja de lo normal | <p>Válvulas de entrada descompuestas</p> <p>Hay conexiones con fugas</p> | <p>Lleve el compresor a un centro de servicio</p> <p>Apriete las conexiones</p> |

Fig. 1

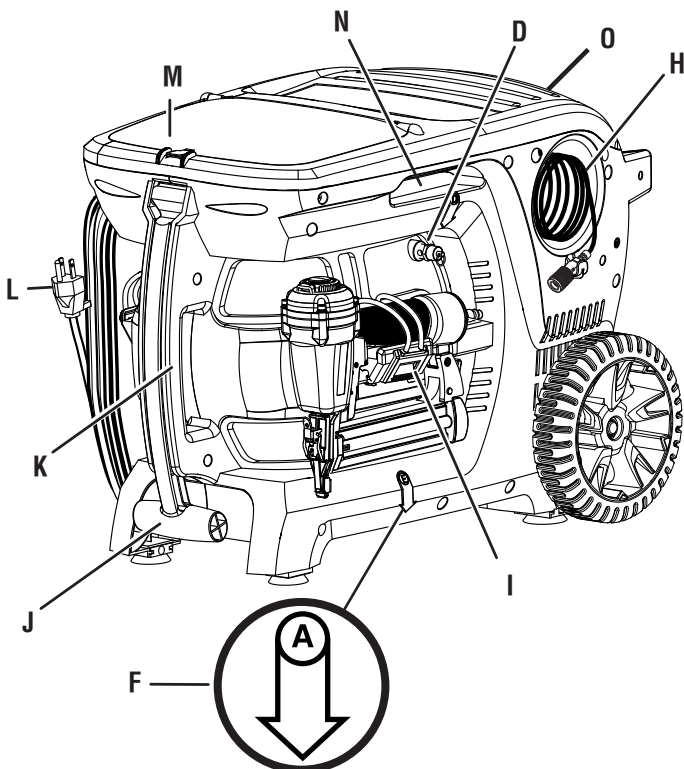


- A - Grounding pin (broche de mise à terre, patilla de conexión a tierra)
- B - 120 V grounded outlet (prise secteur 120 V mise à la terre, toma de corriente con tierra, de 120 V)

Fig. 2

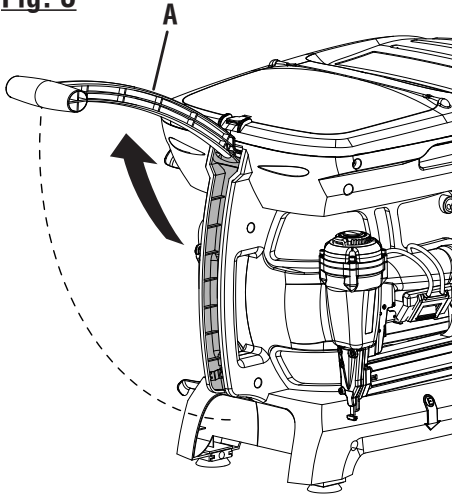


- A - Auto/off switch (l'interrupteur fonctionnement automatique/arrêt, interruptor de encendido/apagado)
- B - Tank pressure gauge (manomètre de réservoir, manómetro del tanque)
- C - Regulatory pressure gauge (manomètre du régulateur, regulador de presión manométrica)
- E - Drain valve (soupape de vidange, válvula de drenaje)
- G - Quick reference label (étiquette de consultation rapide, etiqueta de referencia rápida)
- P - Pressure regulatory knob (pressure regulatory knob, mando de regulación de presión)
- Q - Quick coupler (raccord rapide, acoplador rápido)
- R - Bungee wrap (tendeur élastique, cordon élastique)



- D - Safety valve (soupape de sûreté, boquilla de la seguridad)
- F - Indicates an item on the quick reference label (indique un élément sur l'étiquette de consultation rapide, indique un point sur etiqueta de referencia rápida)
- H - Coil hose retainer (retenue de tuyau en spirale, carrete de manguera incorporado)
- I - Side connect storage area (compartiment de rangement latéral, áreas de almacenamiento de conexión lateral)
- J - Folding handle (poignée repliable, mango plegable)
- K - Carrying handle (poignée de transport, mango de acarreo)
- L - Power cord (cordon d'alimentation, cordón eléctrico)
- M - Accessory storage (rangement d'accessoires, compartimento para accesorios)
- N - Hand grips (prise de mains, empuñaduras del mango)
- O - Work seat (siège de travail, base de trabajo)

Fig. 3



A - Folding handle (poignée repliable, mango plegable)

Fig. 4

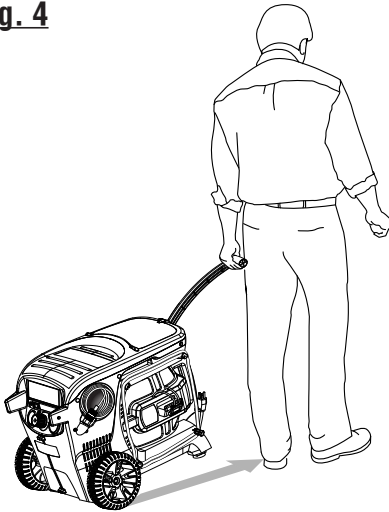
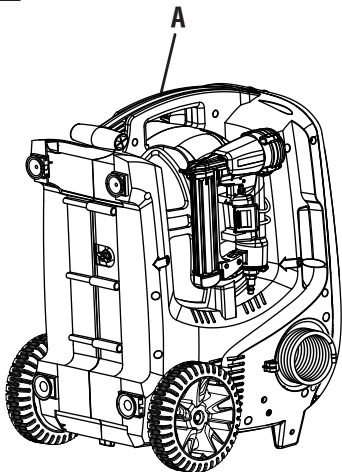
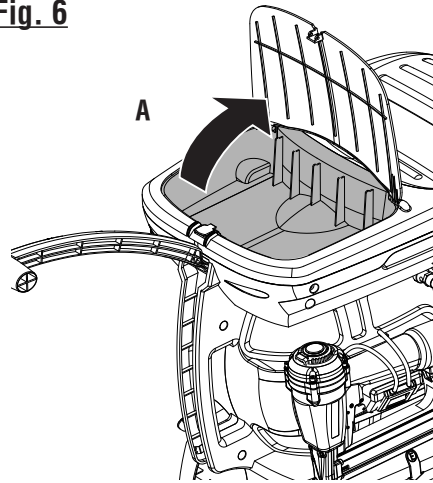


Fig. 5



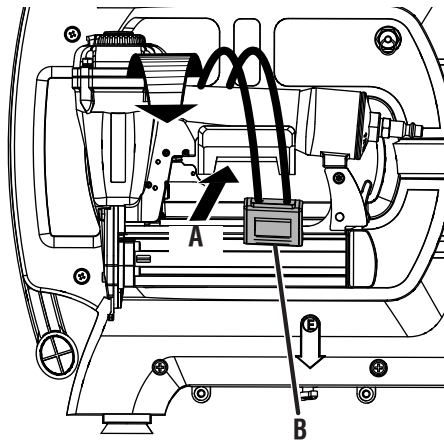
A - Carry handle (poignée de transport, mango de acarreo)

Fig. 6



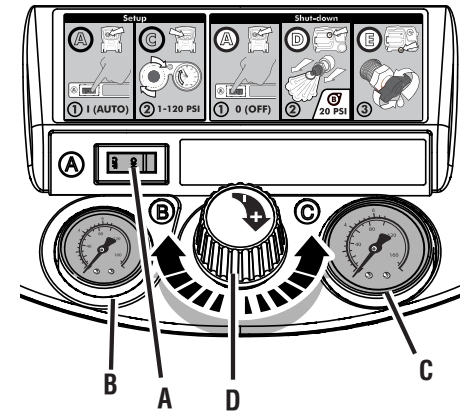
A - Accessory storage (rangement d'accessoires, compartimento para accesorios)

Fig. 7



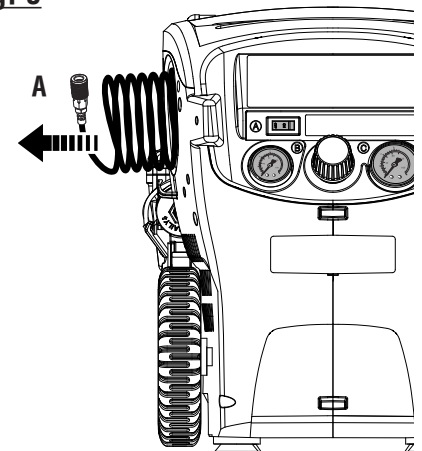
A - Side connect storage area (compartiment de rangement latéral, compartimento para accesorios)
B - Bungee wrap (tendeur élastique, cordon élastique)

Fig. 8



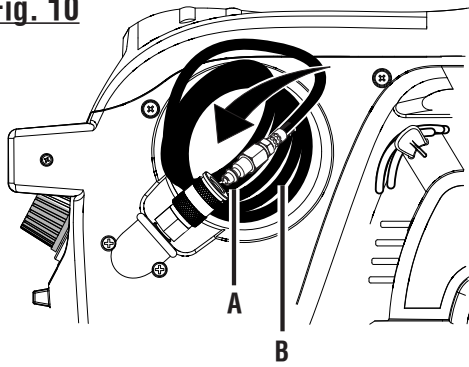
A - Auto/off switch (l'interrupteur fonctionnement automatique/arrêt, interruptor de encendido/apagado)
B - Tank pressure gauge (manomètre de réservoir, manómetro del tanque)
C - Regulatory pressure gauge (manomètre du régulateur, regulador de presión manométrica)
D - Pressure regulator knob (bouton du régulateur de pression, mando de regulación de presión)

Fig. 9



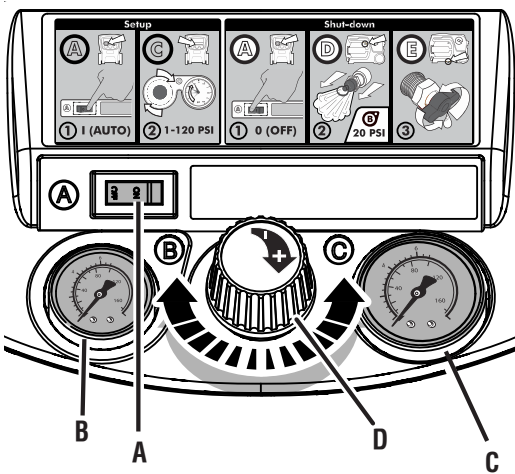
A - Coiled hose (flexible spirale, manguera de aire)

Fig. 10



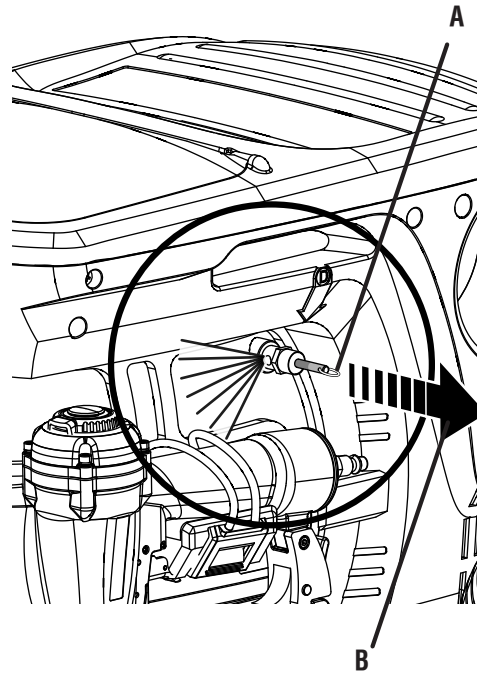
A - Quick coupler (raccord rapide, acoplador rápido)
B - Coiled hose (flexible spirale, manguera de aire)

Fig. 11



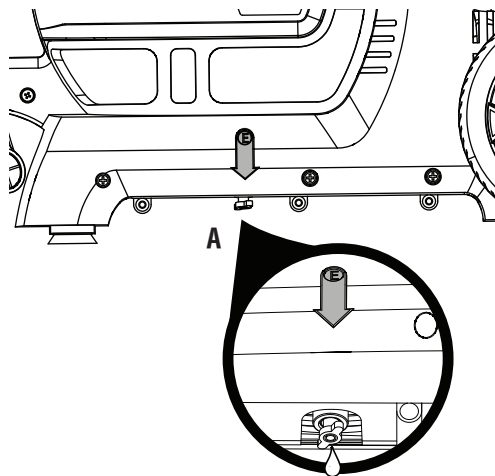
A - Auto/off switch (l'interrupteur
fonctionnement automatique/arrêt, interruptor de
encendido/apagado)
B - Tank pressure gauge (manomètre de réservoir,
manómetro del tanque)
C - Regulatory pressure gauge (manomètre du
régulateur, regulador de presión manométrica)
D - Pressure regulator knob (bouton du régulateur de
pression, mando de regulación de presión)

Fig. 12



A - Safety valve (soupape de sûreté, boquilla de la
seguridad)
B - Pull ring (tirer del anillo)

Fig. 13



A - Drain valve (soupape de vidange, válvula de drenaje)



OPERATOR'S MANUAL

MANUEL D'UTILISATION / MANUAL DEL OPERADOR

3 GALLON AIR COMPRESSOR

3 GALONES COMPRESOR DE AIRE / 3 GALLON COMPRESSEUR D'AIR
YN301PL / YN301PL1

• PARTS AND SERVICE

Prior to requesting service or purchasing replacement parts, please obtain your model and serial number from the product data plate.

- MODEL NUMBER _____
- SERIAL NUMBER _____

• HOW TO OBTAIN REPLACEMENT PARTS:

Replacement parts can be purchased online at www.ryobitools.com or by calling 1-800-525-2579. Replacement parts can also be obtained at one of our Authorized Service Centers.

• HOW TO LOCATE AN AUTHORIZED SERVICE CENTER:

Authorized Service Centers can be located online at www.ryobitools.com or by calling 1-800-525-2579.

• HOW TO OBTAIN CUSTOMER OR TECHNICAL SUPPORT:

To obtain Customer or Technical Support please contact us at 1-800-525-2579.

RYOBI® is a registered trademark of Ryobi Limited used under license.

• PIÈCES ET SERVICE

Avant de faire la demande de service ou l'achat de pièces de remplacement, veuillez obtenir le numéro de série du modèle à partir de la plaque de données du produit.

- NUMÉRO DE MODÈLE _____
- NUMÉRO DE SÉRIE _____

• COMMENT OBTENIR LES PIÈCES DE REMPLACEMENT :

Les pièces de remplacement peuvent être achetées en ligne sur le site www.ryobitools.com ou par téléphone au 1-800-525-2579. Les pièces de remplacement peuvent être obtenues à un de nos centres de service autorisés.

• COMMENT TROUVER UN CENTRE DE SERVICE AUTORISÉ :

Les centres de service autorisés peuvent être localisés en ligne au www.ryobitools.com ou en téléphonant au 1-800-525-2579.

• COMMENT OBTENIR DE L'AIDE EN CONTACTANT LE SERVICE À LA CLIENTÈLE :

Pour contacter le service à la clientèle pour une question technique ou pour tout autre renseignement, veuillez nous téléphoner au 1-800-525-2579.

Ryobi® est une marque déposée de Ryobi Limited utilisée sous licence.

• PIEZAS DE REPUESTO Y SERVICIO

Antes de solicitar servicio técnico o comprar piezas de repuesto, obtenga su modelo y número de serie de la placa de datos del producto.

- NÚMERO DE MODELO _____
- NÚMERO DE SERIE _____

• CÓMO OBTENER PIEZAS DE REPUESTO:

Las piezas de repuesto se pueden comprar en nuestro sitio en la red mundial, en la dirección www.ryobitools.com o llamando al 1-800-525-2579. Las piezas de repuesto también se pueden obtener en uno de nuestros Centros de Servicio Autorizados.

• CÓMO LOCALIZAR UN CENTRO DE SERVICIO AUTORIZADO:

Puede encontrar los Centros de Servicio Autorizados visitando nuestro sitio en la red mundial, en la dirección www.ryobitools.com o llamando al 1-800-525-2579.

• CÓMO OBTENER SERVICIO O ASISTENCIA TÉCNICA AL CONSUMIDOR:

Para obtener Servicio o Asistencia Técnica al Consumidor, sírvase comunicarse con nosotros llamando al 1-800-525-2579.

Ryobi® es una marca comercial registrada de Ryobi Limited y es empleada mediante autorización.

ONE WORLD TECHNOLOGIES, INC.

1428 Pearman Dairy Road, Anderson, SC 29625 • Phone 1-800-525-2579

États-Unis, Téléphone 1-800-525-2579 • USA, Teléfono 1-800-525-2579

www.ryobitools.com

987000-771

6-18-09 (REV:00)

Free Manuals Download Website

<http://myh66.com>

<http://usermanuals.us>

<http://www.somanuals.com>

<http://www.4manuals.cc>

<http://www.manual-lib.com>

<http://www.404manual.com>

<http://www.luxmanual.com>

<http://aubethermostatmanual.com>

Golf course search by state

<http://golfingnear.com>

Email search by domain

<http://emailbydomain.com>

Auto manuals search

<http://auto.somanuals.com>

TV manuals search

<http://tv.somanuals.com>