



OPERATOR'S MANUAL

MANUEL D'UTILISATION

MANUAL DEL OPERADOR

26cc POWER HEAD

BLOC-MOTEUR DE 26 cc

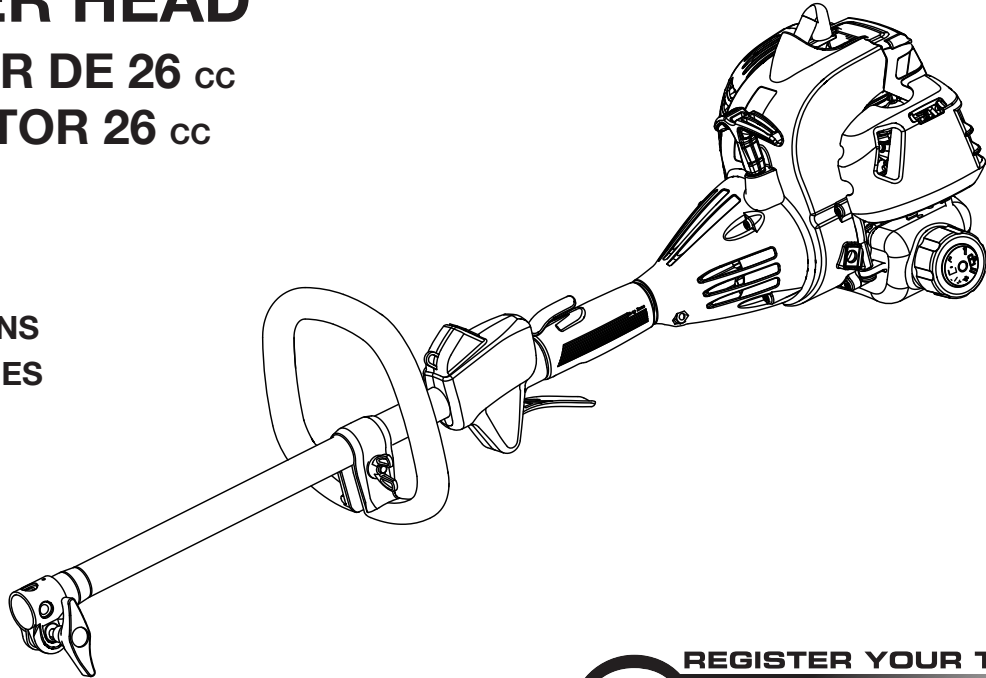
CABEZAL MOTOR 26 cc

RY28000

ALL VERSIONS

TOUTES LES VERSIONS

TODAS LAS VERSIONES



Your power head has been engineered and manufactured to our high standard for dependability, ease of operation, and operator safety. When properly cared for, it will give you years of rugged, trouble-free performance.

WARNING: To reduce the risk of injury, the user must read and understand the operator's manual before using this product.

Thank you for your purchase.

SAVE THIS MANUAL FOR FUTURE REFERENCE

Ce bloc-moteur a été conçu et fabriqué conformément à nos strictes normes de fiabilité, simplicité d'emploi et sécurité d'utilisation. Correctement entretenu, cet outil vous donnera des années de fonctionnement robuste et sans problème.

AVERTISSEMENT : Pour réduire les risques de blessures, l'utilisateur doit lire et veiller à bien comprendre le manuel d'utilisation avant d'employer ce produit.

Merci de votre achat.

**CONSERVER CE MANUEL POUR
FUTURE RÉFÉRENCE**

Su cabezal motor ha sido diseñado y fabricado de conformidad con nuestras estrictas normas para brindar fiabilidad, facilidad de uso y seguridad para el operador. Con el debido cuidado, le brindará muchos años de sólido funcionamiento y sin problemas.

ADVERTENCIA: Para reducir el riesgo de lesiones, el usuario debe leer y comprender el manual del operador antes de usar este producto.

Le agradecemos su compra.

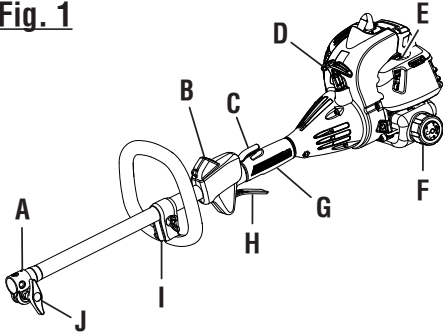
**GUARDE ESTE MANUEL PARA
FUTURAS CONSULTAS**

**See this fold-out section for all the figures referenced
in the operator's manual.**

**Voir que cette section d'encart pour toutes les
figures a adressé dans le manuel d'utilisation.**

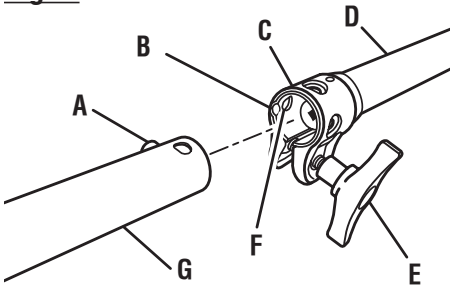
**Vea esta sección de la página desplegable para
todas las figuras mencionó en el manual del operador.**

Fig. 1



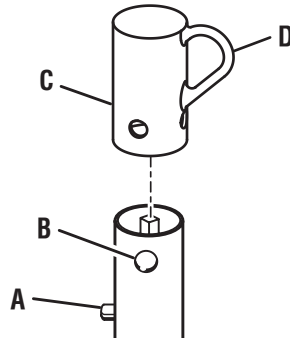
- A - Coupler (coupleur, acoplador)
- B - Stop switch (commutateur d'arrêt, interruptor del apagado)
- C - Trigger lock-out (verrouillage de gâchette, seguro del gatillo)
- D - Starter grip and rope (poignée du lanceur et corde, mango del arrancador y cuerda)
- E - Primer bulb (poire d'amorçage, bomba de cebado)
- F - Fuel cap (bouchon de carburant, tapa del tanque)
- G - Rear handle (poignée arrière, mango trasero)
- H - Throttle trigger (gâchette d'accélérateur, gatillo del acelerador)
- I - Front handle (poignée avant, mango delantero)
- J - Knob (bouton, perilla)

Fig. 2



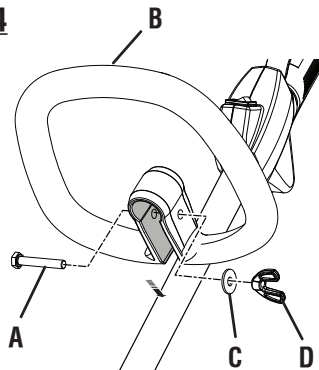
- A - Button (bouton, botón)
- B - Guide recess (logement guide, hueco guía)
- C - Coupler (coupleur, acoplador)
- D - Power head shaft (arbre du bloc moteur, eje del cabezal motor)
- E - Knob (bouton, perilla)
- F - Positioning hole (trou de positionnement, orificio de posicionamiento)
- G - Attachment shaft (arbre d'accessoire, eje del aditamento)

Fig. 3



- A - Button (bouton, botón)
- B - Secondary hole (trou secondaire, orificio secundario)
- C - Hole (trou, orificio)
- D - Hanger cap (capuchon de suspension, tapa de suspensión)

Fig. 4



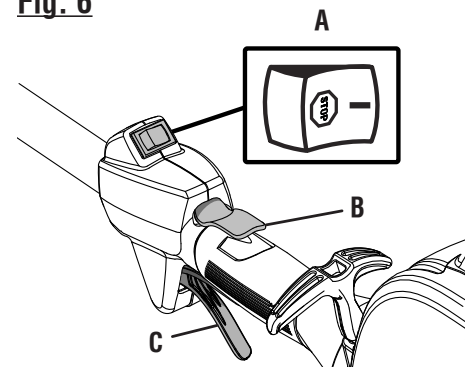
- A - Bolt (boulon, perno)
- B - Front handle (poignée avant, mango delantero)
- C - Washer (rondelle, arandela)
- D - Wing nut (écrou papillon, tuerca de mariposa)

Fig. 5



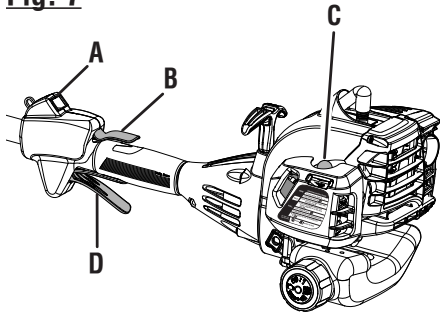
**PROPER TRIMMER ATTACHMENT
OPERATING POSITION
ACCESSOIRE TAILLE-BORDURE
POSITION DE TRAVAIL
POSICIÓN CORRECTA PARA EL MANEJO
DE ADITAMENTO PARA RECORTAR**

Fig. 6



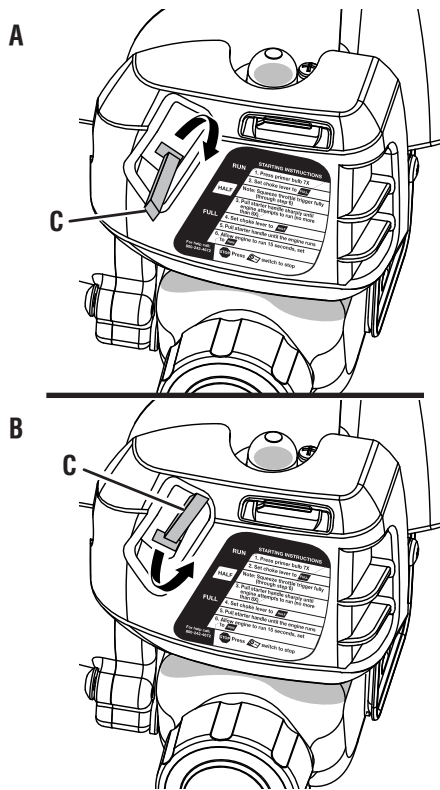
- A - Stop switch (commutateur d'arrêt, interruptor del apagado)
- B - Trigger lock-out (verrouillage de gâchette, seguro del gatillo)
- C - Throttle trigger (gâchette d'accélérateur, gatillo del acelerador)

Fig. 7



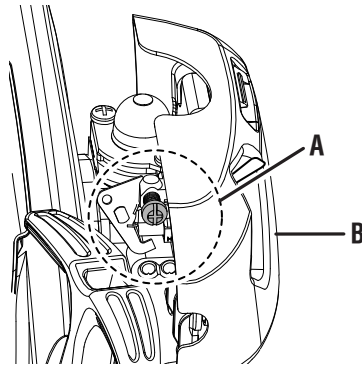
- A - Stop switch (commutateur d'arrêt, interruptor del apagado)
- B - Trigger lock-out (verrouillage de gâchette, seguro del gatillo)
- C - Primer bulb (poire d'amorçage, bomba de cebado)
- D - Throttle trigger (gâchette d'accélérateur, gatillo del acelerador)

Fig. 8



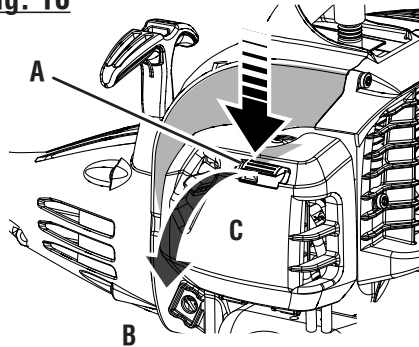
- A - Full choke position (position de volet de départ ouvert, posición de arranque)
- B - Run position (position de marche, posición de marcha)
- C - Choke lever (levier de volet de départ, palanca de arranque)

Fig. 9



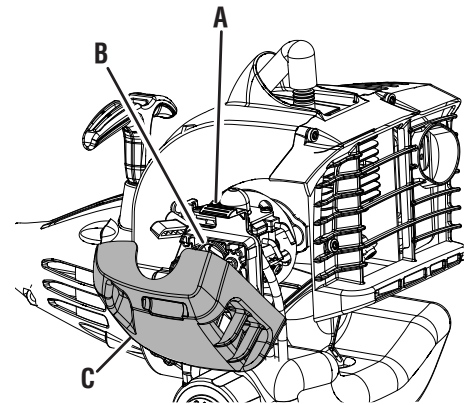
- A - Idle speed screw (vis de ralenti, tornillo de ajuste de la velocidad en vacío)
- B - Air filter cover (couverture du filtre à air, tapa del filtro de aire)

Fig. 10



- A - Latch (loquet, pestillo)
- B - Pull cover to open (tirer sur le couvercle pour l'ouvrir, tire de la tapa para abrirla)
- C - Air filter cover (couverture du filtre à air, tapa del filtro de aire)

Fig. 11



- A - Latch (loquet, pestillo)
- B - Filter screen (filtre écran, filtro pantalla)
- C - Air filter cover (couverture du filtre à air, tapa del filtro de aire)

TABLE OF CONTENTS

TABLE DES MATIÈRES / ÍNDICE DE CONTENIDO

■ Introduction	2
Introduction / Introducción	
■ General Safety Rules	3-4
Règles de sécurité générales / Reglas de seguridad generales	
■ Specific Safety Rules	4
Règles de sécurité particulières / Reglas de seguridad específicas	
■ Symbols	5
Symboles / Símbolos	
■ Features	6
Caractéristiques / Características	
■ Assembly	6-7
Assemblage / Armado	
■ Operation	7-8
Utilisation / Funcionamiento	
■ Maintenance	9
Entretien / Mantenimiento	
■ Troubleshooting	10
Dépannage / Solución de problemas	
■ Warranty	11-13
Garantie / Garantía	
■ Parts Ordering and Service	Back Page
Commande de pièces et réparation / Pedidos de piezas y servicio	Page arrière / Pág. posterior

INTRODUCTION

INTRODUCTION / INTRODUCCIÓN

This product has many features for making its use more pleasant and enjoyable. Safety, performance, and dependability have been given top priority in the design of this product making it easy to maintain and operate.

* * *

Ce produit offre de nombreuses fonctions destinées à rendre son utilisation plus plaisante et satisfaisante. Lors de la conception de ce produit, l'accent a été mis sur la sécurité, les performances et la fiabilité, afin d'en faire un outil facile à utiliser et à entretenir.

* * *

Este producto ofrece numerosas características para hacer más agradable y placentero su uso. En el diseño de este producto se ha conferido prioridad a la seguridad, el desempeño y la fiabilidad, por lo cual se facilita su manejo y mantenimiento.

GENERAL SAFETY RULES

WARNING:

Read and understand all instructions. Failure to follow all instructions may result in electric shock, fire and/or serious personal injury.

READ ALL INSTRUCTIONS

- For safe operation, read and understand all instructions before using this product. Follow all safety instructions. Failure to follow all safety instructions, can result in serious personal injury.
 - Do not allow children or untrained individuals to use this unit.
 - Never start or run the engine in a closed or poorly ventilated area; breathing exhaust fumes can kill.
 - Clear the work area before each use. Remove all objects such as rocks, broken glass, nails, wire, or loose string which can be thrown or become entangled in the cutting line or blade.
 - Always wear eye protection with side shields marked to comply with ANSI Z87.1. Failure to do so could result in objects being thrown into your eyes, resulting in possible serious injury.
 - Wear heavy, long pants, long sleeves, boots, and gloves. Do not wear loose fitting clothing, short pants, sandals, or go barefoot. Do not wear jewelry of any kind.
 - Heavy protective clothing may increase operator fatigue, which could lead to heat stroke. During weather that is hot and humid, heavy work should be scheduled for early morning or late afternoon hours when temperatures are cooler.
 - Product users on United States Forest Service land, and in some states, must comply with fire prevention regulations. This product is equipped with a spark arrestor; however, other user requirements may apply. Check with your federal, state, or local authorities.
 - Never operate this unit on the operator's left side.
 - Secure long hair above shoulder level to prevent entanglement in moving parts.
 - Keep all bystanders, children, and pets at least 50 ft. away. Bystanders should be encouraged to wear eye protection. If you are approached, stop the engine and cutting attachment. In the case of bladed units, there is the added risk of injury to bystanders from being struck with the moving blade in the event of a blade thrust or other unexpected reaction of the blade or saw chain.
 - Do not operate this unit when you are tired, ill, or under the influence of alcohol, drugs, or medication.
 - Do not operate in poor lighting.
 - Keep firm footing and balance. Do not overreach. Overreaching can result in loss of balance or exposure to hot surfaces.
 - Do not use on a ladder or unstable support. Stable footing on a solid surface enables better control of the unit in unexpected situations.
 - Keep all parts of your body away from any moving part.
 - To avoid hot surfaces, never operate the unit with the bottom of the engine above waist level.
 - Do not touch area around the muffler or cylinder of the unit, these parts get hot from operation.
 - Always stop the engine and remove the spark plug wire before making any adjustments or repairs except for carburetor adjustments.
 - Inspect the unit before each use for loose fasteners, fuel leaks, etc. Replace any damaged parts before use.
 - The cutting attachment should never rotate at idle during normal use. The cutting attachment may rotate at idle during carburetor adjustments.
 - It has been reported that vibrations from hand-held tools may contribute to a condition called Raynaud's Syndrome in certain individuals. Symptoms may include tingling, numbness, and blanching of the fingers, usually apparent upon exposure to cold. Hereditary factors, exposure to cold and dampness, diet, smoking, and work practices are all thought to contribute to the development of these symptoms. It is presently unknown what, if any, vibrations or extent of exposure may contribute to the condition. There are measures that can be taken by the operator to possibly reduce the effects of vibration:
 - a) Keep your body warm in cold weather. When operating the unit wear gloves to keep hands and wrists warm. It is reported that cold weather is a major factor contributing to Raynaud's Syndrome.
 - b) After each period of operation, exercise to increase blood circulation.
 - c) Take frequent work breaks. Limit the amount of exposure per day.
 - d) Keep the tool well maintained, fasteners tightened, and worn parts replaced.
- If you experience any of the symptoms of this condition, immediately discontinue use and see your physician about these symptoms.
- Mix and store fuel in a container approved for gasoline.
 - Mix fuel outdoors where there are no sparks or flames. Wipe up any fuel spillage. Move 30 ft. away from refueling site before starting engine. Slowly remove the fuel cap after stopping engine. Do not smoke when refueling.
 - Stop the engine and allow to cool before refueling or storing the unit.

GENERAL SAFETY RULES

- Allow the engine to cool; empty the fuel tank and secure the unit from moving before transporting in a vehicle.
- Wear your protective equipment and observe all safety instructions. For units equipped with a clutch, be sure

the cutting attachment stops turning when the engine idles. When the unit is turned off make sure the cutting attachment has stopped before the unit is set down.

SPECIFIC SAFETY RULES

SPECIFIC SAFETY RULES FOR TRIMMER USE

- Inspect before use. Replace damaged parts. Make sure fasteners are in place and secure. Check for fuel leaks.
- Replace string head if cracked, chipped, or damaged in any way. Be sure the string head or blade is properly installed and securely fastened. Failure to do so can cause serious injury.
- Make sure all guards, straps, deflectors, and handles are properly and securely attached.
- Use only the manufacturer's replacement line in the cutting head. Do not use any other cutting attachment. To install any other brand of replacement line or cutting head to this string trimmer can result in serious personal injury. Never use, for example, wire or wire-rope, which can break off and become a dangerous projectile.
- Never operate unit without the grass deflector in place and in good condition.
- Never use blades, flailing devices, wire, or rope on trimmer attachment.
- Maintain a firm grip on both handles while trimming. Keep string head below waist level. Never cut with the string head located over 30 in. or more above the ground.

SPECIFIC SAFETY RULES FOR BRUSHCUTTER AND BLADE USE




- Brushcutter blades coast after throttle trigger is released or engine is stopped. Keep the rotating blade in thicker weeds or pulpy stalks until the blade completely stops.
- Do not operate the brushcutter unless the brushcutter guard is firmly secured in place and in good condition.
- Use heavy gloves when operating the brushcutter and when installing or removing blades.
- Always stop the engine and remove the spark plug wire before attempting to remove any obstruction caught or jammed in the blade or before removing and installing the blade.
- Do not attempt to touch or stop the blade when it is rotating.

- A coasting blade can cause injury while it continues to spin after the engine is stopped or throttle trigger released. Maintain proper control until the blade has completely stopped rotating.
- Replace any blade that has been damaged. Always make sure blade is installed correctly and securely fastened before each use. Failure to do so can cause serious injury.
- Use only the manufacturer's replacement Tri-Arc® blade intended for use on this brushcutter. Do not use any other blade. To install any other brand blade or cutting head to this brushcutter can result in serious personal injury.
- The Tri-Arc® blade is suited for cutting thicker weeds or pulpy stalks only. Do not use for any other purpose. Never use the Tri-Arc® blade to cut woody brush.
- Exercise extreme caution when using the blade with this unit. Blade thrust is the reaction that may occur when the spinning blade contacts anything it cannot cut. This contact may cause the blade to stop for an instant, and suddenly "thrust" the unit away from the object that was hit. This reaction can be violent enough to cause the operator to lose control of the unit. Blade thrust can occur without warning if the blade snags, stalls, or binds. This is more likely to occur in areas where it is difficult to see the material being cut. For cutting ease and safety, approach the weeds being cut from the right to the left. In the event an unexpected object or woody stock is encountered, this could minimize the blade thrust reaction.
- Never cut any material over 1/2 in. diameter.
- Always wear the shoulder harness when using the brushcutter and adjust to a comfortable operating position. Maintain a firm grip on both handles while cutting with a blade. Keep the blade away from your body and below waist level.
- Never use the brushcutter with the blade located 30 in. or more above the ground level.
- Save these instructions. Refer to them frequently and use them to instruct others who may use this tool. If you loan someone this tool, loan them these instructions also.







NOTE: ADDITIONAL SPECIFIC SAFETY RULES CAN BE FOUND IN THE APPLICABLE ATTACHMENT'S OPERATOR'S MANUAL

SYMBOLS

The following signal words and meanings are intended to explain the levels of risk associated with this product.

SYMBOL	SIGNAL	MEANING
	DANGER:	Indicates an imminently hazardous situation, which, if not avoided, will result in death or serious injury.
	WARNING:	Indicates a potentially hazardous situation, which, if not avoided, could result in death or serious injury.
	CAUTION:	Indicates a potentially hazardous situation, which, if not avoided, may result in minor or moderate injury.
	CAUTION:	(Without Safety Alert Symbol) Indicates a situation that may result in property damage.

Some of the following symbols may be used on this product. Please study them and learn their meaning for safe operation of this product.

SYMBOL	NAME	EXPLANATION
	Safety Alert	Indicates a potential personal injury hazard.
	Read Operator's Manual	To reduce the risk of injury, user must read and understand operator's manual before using this product.
	Eye, Hearing and Head Protection	Always wear eye protection with side shields marked to comply with ANSI Z87.1, along with hearing protection. Head protection may also be required depending on the type of attachment used and as prescribed in the attachment's Operator's Manual.
	Keep Bystanders Away	Keep all bystanders at least 50 ft. away.
	Ricochet	Thrown objects can ricochet and result in personal injury or property damage.
	Gasoline and Lubricant	Use unleaded gasoline intended for motor vehicle use with an octane rating of 87 [(R + M) / 2] or higher. This product is powered by a 2-cycle engine and requires pre-mixing gasoline and 2-cycle lubricant.

FEATURES

PRODUCT SPECIFICATIONS

Weight - (without fuel).....	8.7 lbs.
Engine displacement26cc

KNOW YOUR PRODUCT

See Figure 1.

The safe use of this product requires an understanding of the information on the tool and in this operator's manual as well as a knowledge of the project you are attempting. Before use of this product, familiarize yourself with all operating features and safety rules, in both this manual and the operator's manuals for all attachments that you are using with this power head.

ERGONOMIC DESIGN

The design of the product provides for easy handling. It is designed for comfort and ease of grasp when operating in different positions and at different angles.

TOP-MOUNTED ENGINE

The top mounted engine improves balance and is located away from the dust and debris of the cutting area.

ASSEMBLY

UNPACKING

This product requires assembly.

- Carefully remove the product and any accessories from the box. Make sure that all items listed in the packing list are included.

WARNING:

Do not use this product if any parts on the packing list are already assembled to your product when you unpack it. Parts on this list are not assembled to the product by the manufacturer and require customer installation. Use of a product that may have been improperly assembled could result in serious personal injury.

- Inspect the product carefully to make sure no breakage or damage occurred during shipping.
- Do not discard the packing material until you have carefully inspected and satisfactorily operated the product.
- If any parts are damaged or missing, please call 1-800-860-4050 for assistance.

PACKING LIST

Power head
Front Handle
Bottle of 2-Cycle Lubricant
Operator's Manual

WARNING:

If any parts are damaged or missing do not operate this product until the parts are replaced. Operation of this product with damaged or missing parts or without an attachment could result in serious personal injury.

WARNING:

Do not attempt to modify this product or create accessories not recommended for use with this product. Any such alteration or modification is misuse and could result in a hazardous condition leading to possible serious personal injury.

WARNING:

To prevent accidental starting that could cause serious personal injury, always disconnect the engine spark plug wire from the spark plug when assembling parts.

INSTALLING AN ATTACHMENT TO THE POWER HEAD

See Figure 2.

WARNING:

Never install, remove, or adjust any attachment while power head is running. Failure to stop the engine can cause serious personal injury. Never operate power head without an attachment.

The attachment connects to the power head by means of a coupler device.

- Loosen the knob on the coupler of the power head shaft and remove the hanger cap from the attachment.
- Push in the button located on the attachment shaft. Align the button with the guide recess on the power head coupler and slide the two shafts together. Rotate the attachment shaft until the button locks into the positioning hole.

NOTE: If the button does not release completely in the positioning hole, the shafts are not locked into place. Slightly rotate from side to side until the button is locked into place.

ASSEMBLY

- Tighten the knob securely.

WARNING:

Be certain the knob is fully tightened before operating equipment; check it periodically for tightness during use to avoid serious personal injury.

REMOVING AN ATTACHMENT FROM THE POWER HEAD

For removing or changing the attachment:

- Loosen the knob.
- Push in the button and twist the shafts to unlock and separate.

ATTACHING THE STORAGE HANGER

See Figure 3.

There are two ways to hang your attachment for storage.

- To use the hanger cap, push in the button and place the hanger cap over end of the lower end attachment shaft.

Slightly rotate the cap from side to side until the button locks into place.

- The secondary hole in the attachment shaft can be used for hanging purposes as well.

ATTACHING THE FRONT HANDLE

See Figure 4.

- Remove wing nut, washer, and bolt from the front handle.
- Install the front handle onto the top side of the drive shaft housing in the area indicated by the label.

NOTE: The open side of the handle should face the operator.

- Place the bolt through the front handle.

NOTE: The hex bolt head fits inside the hex recess molded into one side of the handle.

- Reinstall the washer and wing nut.
- Tighten wing nut securely.

OPERATION

WARNING:

Do not allow familiarity with product to make you careless. Remember that a careless fraction of a second is sufficient to inflict serious injury.

WARNING:

Always wear eye protection with side shields marked to comply with ANSI Z87.1, along with hearing protection. Head protection may also be required depending on the type of attachment used and as prescribed in the attachment's Operator's Manual. Failure to do so could result in objects being thrown into your eyes and other possible serious injuries.

WARNING:

Do not use any attachments or accessories not recommended by the manufacturer of this product. The use of attachments or accessories not recommended can result in serious personal injury.

FUELING AND REFUELING THE POWER HEAD

FUEL MIXTURE

This product is powered by a 2-cycle engine and requires pre-mixing gasoline and 2-cycle lubricant. Pre-mix unleaded

gasoline and 2-cycle engine lubricant in a clean 1 gallon container approved for gasoline.

Recommended fuel: This engine is certified to operate on unleaded gasoline intended for automotive use.

Mix a high quality 2-cycle engine lubricant at 2.6 oz. per gallon (US).

Do not use automotive lubricant or 2-cycle outboard lubricant.

DO NOT mix quantities larger than usable in a 30 day period.

HIGH QUALITY 2-CYCLE ENGINE LUBRICANT



GASOLINE

1 gallon (US)
1 liter

LUBRICANT

2.6 oz.
20 cc (20 ml)

FILLING TANK

- Clean surface around fuel cap to prevent contamination.
- Loosen fuel cap slowly. Rest the cap on a clean surface.
- Carefully pour fuel into the tank. Avoid spillage.
- Prior to replacing the fuel cap, clean and inspect the gasket.
- Immediately replace fuel cap and hand tighten. Wipe up any fuel spillage.

NOTE: It is normal for smoke to be emitted from a new engine after first use.

OPERATION

WARNING:

Always shut off engine before fueling. Never add fuel to a machine with a running or hot engine. Move at least 30 ft. from refueling site before starting engine. Do not smoke! Failure to heed this warning could result in serious personal injury.

OXYGENATED FUELS

DO NOT USE E85 FUEL. IT WILL VOID YOUR WARRANTY.

NOTE: Fuel system damage or performance problems resulting from the use of an oxygenated fuel containing more than the percentages of oxygenates stated below **are not covered under warranty.**

Ethanol. Gasoline containing up to 10% ethanol by volume (commonly referred to as E10) or 15% ethanol by volume (commonly referred to as E15) are acceptable. E85 is not.

OPERATING THE POWER HEAD

See Figure 5.

WARNING:

Always position the unit on the operator's right side. The use of the unit on the operator's left side will expose the user to hot surfaces and can result in possible burn injury.

WARNING:

To avoid burns from hot surfaces, never operate unit with the bottom of the engine above waist level.

Hold the power head with your right hand on the rear handle and your left hand on the front handle. Keep a firm grip with both hands while in operation. Power head should be held at a comfortable position with the rear handle about hip height.

Always operate power head at full throttle. If debris becomes wrapped around the attachment, STOP THE ENGINE, disconnect the spark plug wire, and remove the debris. Prolonged cutting at partial throttle will result in lubricant dripping from the muffler.

WARNING:

Always hold the attachment away from the body keeping clearance between the body and the product. Any contact with the attachment cutting head can result in burns and/or other serious personal injury.

BLADE THRUST

Exercise extreme caution when using a blade attachment with this unit. Blade thrust is the reaction that may occur when the spinning blade contacts anything it cannot cut. This contact may cause the blade to stop for an instant, and

suddenly "thrust" the unit away from the object that was hit. This reaction can be violent enough to cause the operator to lose control of the unit. Blade thrust can occur without warning if the blade snags, stalls, or binds. This is more likely to occur in areas where it is difficult to see the material being cut. For cutting ease and safety, approach the weeds being cut with the brushcutter from the right to the left. In the event an unexpected object or woody stock is encountered, this practice could minimize the blade thrust reaction.

WARNING:

Extreme care must be taken when using blades to ensure safe operation. Read the safety information for safe operation when using a blade and refer to the safety rules and instructions in your attachment manual.

STARTING AND STOPPING

See Figures 6 - 8.

Trimmer should be on a flat, bare surface for starting.

To start a cold engine:

- Slowly press the primer bulb 10 times.
NOTE: After the 7th press, fuel should be visible in the primer bulb. If it is not, continue to press the primer until you see fuel in the bulb.
- Set the choke lever to the **FULL CHOKE** position.
- Squeeze the throttle trigger fully and pull starter grip sharply until engine attempts to run. Do not pull the starter grip more than four (4) times.
NOTE: Keep throttle trigger squeezed fully through remaining steps.
- Set the choke lever to the **HALF CHOKE** position.
- Pull the starter grip until the engine runs. Do not pull the starter grip more than six (6) times.
NOTE: If the engine does not start, return to the full choke position and repeat the steps that follow.
- Allow the engine to run for 10 seconds, then set the choke lever to the **RUN** position.

To restart a warm engine:

- Slowly press the primer bulb 10 times.
- Set the choke lever to the **RUN** position.
- Squeeze the throttle trigger fully and pull the starter handle until the engine runs.

To stop the engine:

- To stop the engine, depress the **STOP** switch to the stop position "⏹".

IF ASSISTANCE IS REQUIRED FOR THIS PRODUCT:

Do not return this product to the retail store where it was purchased. Please call our Customer Service Department for any issues you may have.

For Help Call: 1-800-860-4050

MAINTENANCE

WARNING:

When servicing, use only identical replacement parts. Use of any other parts may create a hazard or cause product damage.

WARNING:

Always wear eye protection with side shields marked to comply with ANSI Z87.1, along with hearing protection. Head protection may also be required depending on the type of attachment used and as prescribed in the attachment's Operator's Manual. Failure to do so could result in objects being thrown into your eyes and other possible serious injuries.

WARNING:

Before inspecting, cleaning, or servicing the machine, shut off engine, wait for all moving parts to stop, and disconnect spark plug wire and move it away from spark plug. Failure to follow these instructions can result in serious personal injury or property damage.

GENERAL MAINTENANCE

Avoid using solvents when cleaning plastic parts. Most plastics are susceptible to damage from various types of commercial solvents and may be damaged by their use. Use clean cloths to remove dirt, dust, lubricant, grease, etc.

WARNING:

Do not at any time let brake fluids, gasoline, petroleum-based products, penetrating lubricants, etc., come in contact with plastic parts. Chemicals can damage, weaken or destroy plastic which may result in serious personal injury.

You can often make adjustments and repairs described here. For other repairs, have the power head serviced by an authorized service dealer.

CLEANING THE EXHAUST PORT AND MUFFLER

NOTE: Depending on the type of fuel used, the type and amount of lubricant used, and/or your operating conditions, the exhaust port, muffler, and/or spark arrestor screen may become blocked with carbon deposits. If you notice a power loss with your gas powered tool, you may need to remove these deposits to restore performance. We highly recommend that only qualified service technicians perform this service.

SPARK ARRESTOR

The spark arrestor must be cleaned or replaced every 50 hours or yearly to ensure proper performance of your product. Spark arrestors may be in different locations depending on the model purchased. Please contact your nearest service dealer for the location of the spark arrestor for your model.

IDLE SPEED ADJUSTMENT

See Figure 9.

If the cutting attachment turns at idle, the idle speed screw needs adjusting on the engine. Turn the idle speed screw counterclockwise to reduce the idle RPM and stop the cutting attachment movement. If the cutting attachment still moves at idle speed, contact an authorized service dealer for adjustment and discontinue use until the repair is made.

WARNING:

The cutting attachment should never turn at idle. Turn the idle speed screw counterclockwise to reduce the idle RPM and stop the cutting attachment, or contact a service dealer for adjustment and discontinue use until the repair is made. Serious personal injury may result from the cutting attachment turning at idle.

CLEANING AIR FILTER SCREEN

See Figures 10 - 11.

For proper performance and long life, keep air filter screen clean.

- Remove the air filter cover by pushing down on the latch with your thumb while gently pulling on the cover.
- Brush the air filter screen lightly to clean.
- Replace the air filter cover by inserting the tabs on the bottom of the cover into the slots on the air filter base; push the cover up until it latches securely in place.

FUEL CAP

WARNING:

Check for fuel leaks. A leaking fuel cap is a fire hazard and must be replaced immediately. If you find any leaks, correct the problem before using the product. Failure to do so could result in a fire that could cause serious personal injury.

The fuel cap contains a non-serviceable filter and a check valve. A clogged fuel filter will cause poor engine performance. If performance improves when the fuel cap is loosened, check valve may be faulty or filter clogged. Replace fuel cap if required.

SPARK PLUG REPLACEMENT

This engine uses a Champion RCJ-6Y or NGK BPMR7A spark plug with .025 in. electrode gap. Use an exact replacement and replace annually.

STORING THE PRODUCT

- Clean all foreign material from the product. Store idle unit indoors in a dry, well-ventilated area that is inaccessible to children. Keep away from corrosive agents such as garden chemicals and de-icing salts.
- Abide by all ISO and local regulations for the safe storage and handling of gasoline.

When storing 1 month or longer:

- Drain all fuel from tank into a container approved for gasoline. Run engine until it stops.

TROUBLESHOOTING

IF THESE SOLUTIONS DO NOT SOLVE THE PROBLEM CONTACT YOUR AUTHORIZED SERVICE DEALER.

PROBLEM	POSSIBLE CAUSE	SOLUTION
Engine will not start	<p>No spark.</p> <p>No fuel.</p> <p>Engine is flooded.</p>	<p>Clean or replace spark plug. Reset spark plug gap. Refer to Spark Plug Replacement earlier in this manual.</p> <p>Push primer bulb until bulb is full of fuel. If bulb does not fill, primary fuel delivery system is blocked. Contact a service dealer. If primer bulb fills, engine may be flooded, proceed to next item.</p> <p>Set the start lever to the START position. Squeeze the trigger and pull the rope repeatedly until the engine starts and runs.</p> <p>NOTE: Depending on the severity of the flooding, this may require numerous pulls of the rope.</p>
Engine does not reach full speed and emits excessive smoke	<p>Incorrect lubricant/fuel mixture.</p> <p>Air filter screen is dirty.</p> <p>Spark arrestor screen is dirty.</p> <p>Spark plug fouled.</p>	<p>Use fresh fuel and the correct 2-cycle lubricant mix. (50:1).</p> <p>Clean air filter screen. Refer to Cleaning Air Filter Screen earlier in this manual.</p> <p>Contact an authorized servicing dealer.</p> <p>Clean or replace spark plug. Reset spark plug gap. Refer to Spark Plug Replacement earlier in this manual.</p>
Engine starts, runs, and accelerates but will not idle	Idle speed screw on carburetor needs adjustment.	Turn idle speed screw clockwise to increase idle speed. <i>See Figure 9.</i>

WARRANTY

LIMITED WARRANTY STATEMENT

Techtronic Industries North America, Inc., warrants to the original retail purchaser that this RYOBI® brand outdoor product is free from defect in material and workmanship and agrees to repair or replace, at Techtronic Industries North America, Inc.'s, discretion, any defective product free of charge within these time periods from the date of purchase.

- Three years if the product is used for personal, family or household use;
- 90 days, if used for any other purpose, such as commercial or rental.

This warranty extends to the original retail purchaser only and commences on the date of the original retail purchase.

Any part of this product found in the reasonable judgment of Techtronic Industries North America, Inc. to be defective in material or workmanship will be repaired or replaced without charge for parts and labor by an authorized service center for RYOBI® brand outdoor products (Authorized Ryobi Service Center).

The product, including any defective part, must be returned to an authorized Ryobi service center within the warranty period. The expense of delivering the product to the service center for warranty work and the expense of returning it back to the owner after repair or replacement will be paid by the owner. Techtronic Industries North America, Inc.'s, responsibility in respect to claims is limited to making the required repairs or replacements and no claim of breach of warranty shall be cause for cancellation or rescission of the contract of sale of any RYOBI® brand outdoor product. Proof of purchase will be required by the dealer to substantiate any warranty claim. All warranty work must be performed by an authorized service dealer.

This warranty is limited to ninety (90) days from the date of original retail purchase for any RYOBI® brand outdoor product that is used for rental or commercial purposes, or any other income-producing purpose.

This warranty does not cover any product that has been subject to misuse, neglect, negligence, or accident, or that has been operated in any way contrary to the operating instructions as specified in this operator's manual. This warranty does not apply to any damage to the product that is the result of improper maintenance or to any product that has been altered or modified. The warranty does not extend to repairs made necessary by normal wear or by the use of parts or accessories which are either incompatible with the RYOBI® brand outdoor product or adversely affect its operation, performance, or durability. In addition, this warranty does not cover:

- A. Tune-ups – Spark Plugs, Carburetor, Carburetor Adjustments, Ignition, Filters
- B. Wear items – Bump Knobs, Outer Spools, Cutting Lines, Inner Reels, Starter Pulleys, Starter Ropes, Drive Belts, Tines, Felt Washers, Hitch Pins, Mulching Blades, Blower Fans, Blower and Vacuum Tubes, Vacuum Bag and Straps, Guide Bars, Saw Chains

Techtronic Industries North America, Inc., reserves the right to change or improve the design of any RYOBI® brand outdoor product without assuming any obligation to modify any product previously manufactured.

ALL IMPLIED WARRANTIES ARE LIMITED IN DURATION TO THE STATED WARRANTY PERIOD. ACCORDINGLY, ANY SUCH IMPLIED WARRANTIES INCLUDING MERCHANTABILITY, FITNESS FOR A PARTICULAR PURPOSE, OR OTHERWISE, ARE DISCLAIMED IN THEIR ENTIRETY AFTER THE EXPIRATION OF THE APPROPRIATE THREE-YEAR, ONE-YEAR, OR NINETY-DAY WARRANTY PERIOD. TECHTRONIC INDUSTRIES NORTH AMERICA, INC.'S, OBLIGATION UNDER THIS WARRANTY IS STRICTLY AND EXCLUSIVELY LIMITED TO THE REPAIR OR REPLACEMENT OF DEFECTIVE PARTS AND TECHTRONIC INDUSTRIES NORTH AMERICA, INC., DOES NOT ASSUME OR AUTHORIZE ANYONE TO ASSUME FOR THEM ANY OTHER OBLIGATION. SOME STATES DO NOT ALLOW LIMITATIONS ON HOW LONG AN IMPLIED WARRANTY LASTS, SO THE ABOVE LIMITATION MAY NOT APPLY TO YOU. TECHTRONIC INDUSTRIES NORTH AMERICA, INC., ASSUMES NO RESPONSIBILITY FOR INCIDENTAL, CONSEQUENTIAL, OR OTHER DAMAGES INCLUDING, BUT NOT LIMITED TO, EXPENSE OF RETURNING THE PRODUCT TO AN AUTHORIZED RYOBI SERVICE CENTER AND EXPENSE OF DELIVERING IT BACK TO THE OWNER, MECHANIC'S TRAVEL TIME, TELEPHONE OR TELEGRAM CHARGES, RENTAL OF A LIKE PRODUCT DURING THE TIME WARRANTY SERVICE IS BEING PERFORMED, TRAVEL, LOSS OR DAMAGE TO PERSONAL PROPERTY, LOSS OF REVENUE, LOSS OF USE OF THE PRODUCT, LOSS OF TIME, OR INCONVENIENCE. SOME STATES DO NOT ALLOW THE EXCLUSION OR LIMITATION OF INCIDENTAL OR CONSEQUENTIAL DAMAGES, SO THE ABOVE LIMITATION OR EXCLUSION MAY NOT APPLY TO YOU.

This warranty gives you specific legal rights, and you may also have other rights which vary from state to state.

This warranty applies to all RYOBI® brand outdoor products manufactured by or for Techtronic Industries North America, Inc., and sold in the United States and Canada.

To locate your nearest Authorized Ryobi Service Center, dial 1-800-860-4050.

WARRANTY

THE FOLLOWING CALIFORNIA AIR RESOURCES BOARD (CARB) STATEMENT ONLY APPLIES TO MODEL NUMBERS REQUIRED TO MEET THE CARB REQUIREMENTS.

TECHTRONIC INDUSTRIES NORTH AMERICA, INC., LIMITED WARRANTY STATEMENT FOR FEDERAL AND CALIFORNIA EMISSION CONTROL SYSTEMS NON-ROAD AND SMALL OFF-ROAD ENGINES YOUR WARRANTY RIGHTS AND OBLIGATIONS

The U.S. Environmental Protection Agency (EPA), the California Air Resources Board (CARB), and Techtronic Industries North America, Inc., are pleased to explain the Emissions Control System Warranty on your 2010 model year non-road or small off-road engine. In California, new equipment that uses small off-road engines must be designed, built, and equipped to meet the state's stringent anti-smog standards. In other states, new 2000 and later model year non-road engines must be designed, built, and equipped at the time of sale to meet the U.S. EPA regulations for small non-road engines. The non-road engine must be free from defects in materials and workmanship which cause it to fail to conform with U.S. EPA standards for the first three years of engine use from the date of sale to the ultimate purchaser. Techtronic Industries North America, Inc., must warrant the emission control system on your non-road or small off-road engine for the period of time listed above provided there has been no abuse, neglect, or improper maintenance of your non-road or small off-road engine.

Your emission control system may include parts such as the carburetor or fuel injection system, the ignition system, catalytic converters, fuel tanks, valves, filters, clamps, connectors, and other associated components. Also included may be hoses, belts and connectors, and other emission-related assemblies.

Where a warrantable condition exists, Techtronic Industries North America, Inc., will repair your non-road or small off-road engine at no cost to you, including diagnosis, parts, and labor performed at an authorized service center for RYOBI® brand outdoor products.

MANUFACTURER'S WARRANTY COVERAGE:

This product's emissions control system is warranted for three years. If any emission-related part on your engine is defective, the part will be repaired or replaced by Techtronic Industries North America, Inc., free of charge.

OWNER'S WARRANTY RESPONSIBILITIES

(a) As the non-road or small off-road engine owner, you are responsible for the performance of the required maintenance listed in your operator's manual. Techtronic Industries North America, Inc., recommends that you retain all receipts covering maintenance on your non-road or small off-road engine, but Techtronic Industries North America, Inc., cannot deny warranty solely for the lack of receipts or for your failure to ensure the performance of all scheduled maintenance. Any replacement part or service that is equivalent in performance and durability may be used in non-warranty maintenance or repairs, and shall not reduce the warranty obligations of Techtronic Industries North America, Inc.

(b) As the non-road or small off-road engine owner, you should be aware, however, that Techtronic Industries North America, Inc., may deny you warranty coverage if your non-road or small off-road engine or a part has failed due to abuse, neglect, improper maintenance, or unapproved modifications.

(c) You are responsible for presenting your non-road or small off-road engine to an authorized service dealer as soon as a problem exists. The warranty repairs should be completed in a reasonable amount of time, not to exceed 30 days.

If you have any questions regarding your warranty rights and responsibilities, you should contact a Techtronic Industries North America, Inc., Customer Representative at 1-800-860-4050.

DEFECT WARRANTY COVERAGE REQUIREMENTS:

(a) The warranty period begins on the date the engine or equipment is delivered to an ultimate purchaser.

(b) General Emissions Warranty Coverage. Techtronic Industries North America, Inc., warrants to the ultimate purchaser and each subsequent purchaser that your non-road or small off-road engine is designed, built, and equipped at the time of sale to conform with all applicable regulations adopted by the California Air Resources Board or the United States Environmental Protection Agency; and that it is free from defects in materials and workmanship which cause the engine to fail to conform with applicable regulations for a period of three years from the date the non-road or small off-road engine is purchased by the initial purchaser.

(c) The warranty on emissions-related parts will be interpreted as follows: Any warranted part that is not scheduled for replacement as required in the Emissions Maintenance Schedule and Warranty Parts List set forth below is warranted for three years. If any such part (including any part that is scheduled only for regular inspection) fails during the period of warranty coverage, it will be repaired or replaced at any RYOBI® Authorized Service Center at no charge. Any such part repaired or replaced under warranty will be warranted for the remaining warranty period. A statement to the effect of "repair or replace as necessary" would not reduce the period of warranty coverage. Any warranted part that is scheduled for replacement as required maintenance in the Emissions Maintenance Schedule and Warranty Parts List is warranted for the period of time prior to the first scheduled replacement point for that part. Any such part repaired or replaced under warranty is warranted for the remainder of the period prior to the first scheduled replacement point, and will be repaired or replaced at any RYOBI® Authorized Service Center for no charge until that replacement point is reached.

Techtronic Industries North America, Inc., shall remedy warranty defects at any authorized RYOBI® Authorized Service Center, including any distribution center that may be franchised to service the subject engines. Any diagnostic work done at a RYOBI® Authorized Service Center shall be free of charge to the owner if such work determines that a warranted part is defective. Any manufacturer-approved or equivalent replacement part may be used for any warranty maintenance or repairs on emission-related parts, and must be provided free of charge to the owner if the part is still under warranty. Techtronic Industries North America, Inc., is liable for damages to other engine components caused by the failure of a warranted part still under warranty.

Add-on or modified parts that are not exempted by the California Air Resource Board may not be used. The use of any non-exempted add-on or modified parts will be grounds for disallowing a warranty claim. Techtronic Industries North America, Inc., will not be liable to warrant failures of warranted parts caused by the use of a non-exempted add-on or modified part.

The California Air Resources Board's Emission Warranty Parts List specifically defines the emission-related warranted parts. (EPA's regulations do not include a parts list, but the EPA considers emission-related warranted parts to include all the parts listed below.) Techtronic Industries North America, Inc., will provide any documents that describe its warranty procedures or policies within five days upon request by the California Air Resources Board.

EMISSIONS PARTS LIST

Emissions parts vary from product to product. Your emissions control system warranty applies to any of the following components that may be included on your product:

- (1) Fuel Metering System
 - (i) Carburetor and internal parts (and/or pressure regulator or fuel injection system).
 - (ii) Air/fuel ratio feedback and control system.
 - (iii) Cold start enrichment system.
 - (iv) Fuel Tank.
- (2) Air Induction System
 - (i) Controlled hot air intake system.
 - (ii) Intake manifold.
 - (iii) Air filter.
- (3) Ignition System
 - (i) Spark Plugs.
 - (ii) Magneto or electronic ignition system.
 - (iii) Spark advance/retard system.
- (4) Exhaust Gas Recirculation (EGR) System
 - (i) EGR valve body and carburetor spacer, if applicable.
 - (ii) EGR rate feedback and control system.
- (5) Air Injection System
 - (i) Air pump or pulse valve.
 - (ii) Valves affecting distribution of flow.
 - (iii) Distribution manifold.
- (6) Catalyst or Thermal Reactor System
 - (i) Catalytic converter.
 - (ii) Thermal reactor.
 - (iii) Exhaust manifold.
- (7) Particulate Controls
 - (i) Traps, filters, precipitators, and any other device used to capture particulate emissions.
- (8) Miscellaneous Items Used in Above Systems
 - (i) Electronic controls.
 - (ii) Vacuum, temperature, and time sensitive valves and switches.
 - (iii) Hoses, belts, connectors, and assemblies.

Techtronic Industries North America, Inc., will furnish with each new engine written instructions for its maintenance and use by the owner.

The Emissions Compliance Period referred to on the Emissions Compliance label indicates the number of operating hours for which the engine has been shown to meet Federal emission requirements. Category C=50 hours, B=125 hours, and A=300 hours.

WARRANTY

THIS PRODUCT WAS MANUFACTURED WITH A CATALYST MUFFLER

Congratulations! You have made an investment toward protecting the environment. In order to maintain this product's original emission level, please refer to the maintenance section below.

EMISSIONS MAINTENANCE SCHEDULE AND WARRANTED PARTS LIST

Emissions Parts	Inspect Before Each Use	Clean Every 5 Hours	Replace Every 25 Hours or Yearly	Clean Every 25 Hours or Yearly	Replace Every 125 Hours
CATALYTIC MUFFLER ASSEMBLY					X
AIR FILTER ASSY					
includes:					
Filter Screen		X			
SPARK SCREEN					X
CARBURETOR ASSY					
includes:					
Heat Dam		X			
Gaskets		X			
FUEL TANK ASSY					
includes:					
Fuel Lines		X			
Fuel Cap		X			
Fuel Filter			X		
IGNITION ASSY					
includes:					
Spark Plug			X		

ALL EMISSIONS-RELATED PARTS ARE WARRANTED FOR THREE YEARS OR FOR THE PERIOD OF TIME PRIOR TO THE PARTS FIRST SCHEDULED REPLACEMENT WHICHEVER COMES FIRST.



CALL US FIRST

For any questions about operating or maintaining your product,
call the Ryobi® Help Line!

Your product has been fully tested prior to shipment to ensure
your complete satisfaction.

RÈGLES DE SÉCURITÉ GÉNÉRALES

AVERTISSEMENT :

Lire et veiller à bien comprendre toutes les instructions. Le non respect des instructions peut entraîner un choc électrique, un incendie et / ou des blessures graves.

LIRE TOUTES LES INSTRUCTIONS

- Pour travailler en toute sécurité, lire et veiller à bien comprendre toutes les instructions avant d'utiliser ce produit. Respecter toutes les instructions de sécurité. Le non respect des instructions de sécurité peut entraîner des blessures graves.
 - Ne pas laisser des enfants ou personnes n'ayant pas reçu une formation adéquate utiliser cet outil.
 - Ne jamais lancer ou faire tourner le moteur dans un endroit clos ou mal aéré. Les gaz d'échappement peuvent être mortels.
 - Déblayer la zone de travail avant chaque utilisation. La débarrasser de tous les objets tels que cailloux, verre brisé, clous, fils métalliques, cordes, etc. risquant d'être projetés ou de se prendre dans la ligne de coupe ou la lame.
 - Toujours porter une protection oculaire avec écrans latéraux certifiée conforme à la norme ANSI Z87.1. Si cette précaution n'est pas prise, des objets peuvent être projetés dans les yeux et causer des lésions graves.
 - Porter des pantalons longs, manches longues, des chaussures de travail et des gants épais. Ne pas porter de vêtements amples, bijoux, shorts, sandales et ne pas travailler pieds nus. Ne porter aucun bijou.
 - Le fait de porter des vêtements de protection lourds peut augmenter la fatigue de l'utilisateur, ce qui pourrait entraîner un coup de chaleur. Si le temps est chaud et humide, effectuer les gros travaux le matin ou en fin d'après-midi, alors qu'il fait plus frais.
 - Les produits utilisés sur les territoires des services forestiers des États-Unis et de certains états doivent être conformes aux réglementations de lutte contre l'incendie. Cet outil est doté d'un pare-étincelles, toutefois, d'autres dispositifs peuvent être requis. Consulter les autorités locales et gouvernementales.
 - Ne jamais utiliser cet outil en le tenant du côté gauche.
 - Attacher les cheveux longs pour les maintenir au-dessus des épaules, afin qu'ils ne se prennent pas dans les pièces en mouvement.
 - Garder les badauds, enfants et visiteurs à une distance de 15 m (50 pi). Recommander aux personnes présente de porter une protection oculaire. Si quelqu'un s'approche pendant l'utilisation de l'outil, arrêter le moteur et l'accessoire de coupe. Le risque de blessure est accru si on utilise un outil à lames. En effet, les personnes se trouvant à proximité risquent d'être heurtés par une lame en marche advenant qu'elle ricoche, ou à la suite de toute autre réaction inattendue de la lame ou de la chaîne de la scie.
 - Ne pas utiliser cet outil en état de fatigue, si l'on est souffrant ou sous l'influence de l'alcool, de drogues ou de médicaments.
 - Ne pas travailler sous un éclairage insuffisant.
- Se tenir bien campé et en équilibre. Ne pas travailler hors de portée. Le travail hors de portée risque de faire perdre l'équilibre ou de causer un contact avec les pièces brûlantes.
 - Ne pas utiliser l'outil sur une échelle ou un support instable. Une bonne tenue et un bon équilibre permettent de mieux contrôler l'outil en cas de situation imprévue.
 - Garder toutes les parties du corps à l'écart des pièces en mouvement.
 - Pour éviter le contact avec les parties brûlantes, ne jamais travailler avec le bas du moteur au-dessus du niveau de la taille.
 - Ne pas toucher les alentours de l'échappement ou du cylindre, qui deviennent brûlants pendant l'utilisation.
 - Toujours arrêter le moteur et débrancher le fil de la bougie avant d'effectuer tout entretien ou réglage, à l'exception des réglages du carburateur.
 - Inspecter l'outil avant chaque utilisation pour s'assurer qu'il n'y a pas de pièces desserrées, de fuites de carburant, etc. Remplacer les pièces endommagées avant utilisation.
 - Lors d'une utilisation normale, l'accessoire de coupe ne doit jamais tourner au ralenti. La rotation au ralenti est toutefois permise lors du réglage du carburateur.
 - Il a été rapporté que, chez certaines personnes, les vibrations produites par les outils à main motorisés peuvent contribuer au développement d'une affection appelée syndrome de Raynaud. Les symptômes peuvent inclure des picotements, l'insensibilisation et le blanchissement des doigts et sont habituellement provoqués par l'exposition au froid. L'hérédité, l'exposition au froid et à l'humidité, le régime alimentaire, la fumée et les habitudes de travail sont tous des facteurs considérés comme contribuant au développement de ces symptômes. Il n'existe actuellement aucune preuve qu'un certain type de vibration ou le degré d'exposition contribue réellement au développement de cette affection. Certaines mesures, susceptibles de réduire les effets des vibrations, peuvent être prises par l'opérateur :
 - a) Garder le corps au chaud par temps froid. Pendant l'utilisation, porter des gants afin de tenir les mains et les poignets au chaud. Il a été établi que le froid est l'une des principales causes du symptôme de Raynaud.
 - b) Après chaque période d'utilisation, faire des exercices pour accroître la circulation.
 - c) Faire des pauses fréquentes. Limiter la durée d'exposition quotidienne.
 - d) Garder l'outil bien entretenu, toutes les pièces de boulonnerie serrées et remplacer les pièces usées.En cas d'apparition de l'un ou plusieurs des symptômes décrits ci-dessus, cesser d'utiliser l'outil et consulter un médecin.
 - Mélanger et conserver le carburant dans un bidon ou jerrican approuvé pour l'essence.
 - Mélanger le carburant à l'extérieur, loin de toute flamme ou source d'étincelles. Essuyer tout carburant répandu. S'éloigner de 9 m (30 pi) du point d'approvisionnement avant de lancer le moteur. Desserrer le bouchon du réservoir de carburant lentement une fois que le moteur est arrêté. Ne pas fumer pendant le ravitaillement en carburant.

RÈGLES DE SÉCURITÉ GÉNÉRALES

- Arrêter le moteur et le laisser refroidir avant de faire le plein ou de le remiser.
- Pour le transport dans un véhicule, laisser le moteur refroidir, vider le réservoir de carburant. et arrimer l'outil.
- Porter un équipement de protection et respecter toutes les instructions de sécurité. Si l'outil est équipé d'un embrayage, s'assurer que l'accessoire de coupe s'immobilise lorsque le moteur tourne au ralenti. Lorsque le moteur est arrêté, s'assurer que l'accessoire de coupe est immobilisé avant de poser l'outil.

RÈGLES DE SÉCURITÉ PARTICULIÈRES

RÈGLES DE SÉCURITÉ PARTICULIÈRES À L'UTILISATION DU TAILLE-BORDURES

- Inspecter l'outil avant chaque utilisation. Remplacer les pièces endommagées. S'assurer que toutes les pièces de boulonnerie sont en place et bien serrées. S'assurer de l'absence de fuites de carburant.
- Si la tête de coupe est fendue, brisée ou endommagée de quelque façon que ce soit, la remplacer. S'assurer que la tête de coupe ou la lame est correctement installée et solidement assujettie. Ne pas prendre cette précaution peut entraîner des risques de blessures graves.
- S'assurer que tous les dispositifs de protection, sangles, déflecteurs et poignées sont correctement installés et solidement assujettis.
- Utiliser exclusivement des lignes de coupe d'origine. Ne pas utiliser d'autres accessoires de coupe. L'utilisation d'une tête de coupe d'autre marque ou lignes de coupe d'autre origine sur ce taille-bordures peut entraîner des blessures graves. Par exemple, ne jamais utiliser de fil ou câble métallique qui pourrait se briser et devenir un projectile dangereux.
- Ne jamais utiliser l'appareil si le déflecteur d'herbe n'est pas en place et en bon état.
- Ne jamais utiliser de lames ou de dispositifs à fléau, fil et cordes sur l'accessoire de taille-bordures.
- Tenir fermement les deux poignées pendant le travail. Tenir la tête de coupe au-dessous du niveau de la taille. Ne jamais tailler avec la tête de coupe à plus de 762 mm (30 po) du sol.

RÈGLES DE SÉCURITÉ PARTICULIÈRES À L'UTILISATION DE LA DÉBROUSSAILLEUSE ET DE LA LAME




- Les lames de la débroussailleuse poursuivent leur mouvement après que la gâchette d'accélérateur ait été relâchée ou que le moteur ait été mis à l'arrêt. Garder la lame en rotation dans les herbes plus épaisses ou les tiges pulpeuses jusqu'à ce qu'elle s'arrête complètement.
- Ne pas utiliser la débroussailleuse si la garde de lame n'est pas solidement assujettie et en bon état.
- Porter des gants épais lors de l'utilisation de la débroussailleuse, ainsi que du retrait et de l'installation des lames.
- Toujours arrêter le moteur avant d'essayer de retirer des objets pris dans la lame ou la bloquant et avant d'installer ou retirer la lame.

- Ne pas essayer de toucher ou d'arrêter la lame en rotation.
- Une lame continuant de tourner au débrayé une fois que le moteur est arrêté et la gâchette relâchée peut causer des blessures. Garder le contrôle de l'outil jusqu'à ce que la lame soit complètement immobilisée.
- Toute lame endommagée doit être remplacée. S'assurer que la lame est correctement installée et solidement assujettie avant chaque utilisation. Ne pas prendre cette précaution peut entraîner des risques de blessures graves.
- Utiliser uniquement des lames Tri-Arc® d'origine conçues pour cette débroussailleuse. Ne pas utiliser d'autres lames. L'utilisation d'une tête de coupe d'autre marque sur ce taille-bordures peut entraîner des blessures graves.
- La lame Tri-Arc® est conçue pour couper des herbes épaisses et plantes pulpeuses seulement. Ne pas l'utiliser pour d'autres applications. Ne jamais utiliser la lame Tri-Arc® pour couper de la végétation ligneuse.
- Lorsqu'il est équipé d'une lame, utiliser cet outil avec la plus extrême prudence. Un ricochet de lame peut se produire lorsque celle-ci entre en contact avec un objet qu'elle ne peut pas couper. Ce contact peut causer un bref blocage de la lame, qui fait « ricocher » l'outil en direction opposée de l'objet heurté. Cette réaction peut être assez violente pour faire perdre le contrôle de l'outil. Un ricochet peut se produire à tout instant si la lame est bloquée, stoppe ou se coince. Ce problème est plus susceptible de se produire dans les endroits où il n'est pas possible de voir le matériau coupé. Pour faciliter la coupe et assurer la sécurité travailler avec un mouvement de droite à gauche. Si la lame heurte un obstacle imprévu ou du bois, ceci peut réduire la force du ricochet.
- Ne jamais couper de tiges de plus de 13 mm (1/2 po) de diamètre.
- Toujours utiliser la bandoulière et la régler pour pouvoir travailler confortablement. Tenir fermement les deux poignées pendant les travaux de coupe avec une lame. Garder la lame loin du corps, au-dessous du niveau de la taille.
- Ne jamais tailler avec la débroussailleuse avec la lame à plus de 762 mm (30 po) du sol.
- Conserver ces instructions. Les consulter fréquemment et les utiliser pour instruire les autres utilisateurs éventuels. Si cet outil est prêté, il doit être accompagné de ces instructions.







NOTE : CONSULTER LE MANUEL D'UTILISATION DE L'ACCESSOIRE EN QUESTION AFIN DE PRENDRE CONNAISSANCE DES RÈGLES DE SÉCURITÉ SUPPLÉMENTAIRES.

SYMBOLES

Les termes de mise en garde suivants et leur signification ont pour but d'expliquer le degré de risques associé à l'utilisation de ce produit.

SYMBOLE	SIGNAL	SIGNIFICATION
	DANGER :	Indique une situation extrêmement dangereuse qui, si elle n'est pas évitée, aura pour conséquences des blessures graves ou mortelles.
	AVERTISSEMENT :	Indique une situation potentiellement dangereuse qui, si elle n'est pas évitée, pourrait entraîner des blessures graves ou mortelles.
	ATTENTION :	Indique une situation potentiellement dangereuse qui, si elle n'est pas évitée, pourrait entraîner des blessures légères ou de gravité modérée.
	ATTENTION :	(Sans symbole d'alerte de sécurité) Indique une situation pouvant entraîner des dommages matériels.

Certains des symboles ci-dessous peuvent être utilisés sur le produit. Veiller à les étudier et apprendre leur signification pour assurer la sécurité d'utilisation.

SYMBOLE	NOM	EXPLICATION
	Symbole d'alerte de sécurité	Indique un risque de blessure potentiel.
	Lire le manuel d'utilisation	Pour réduire les risques de blessures, l'utilisateur doit lire et veiller à bien comprendre le manuel d'utilisation avant d'utiliser ce produit.
	Protection oculaire, auditive, et un casque	Toujours porter une protection oculaire avec écrans latéraux certifiée conforme à la norme ANSI Z87.1, avec protection auditive. Selon le type d'accessoire utilisé et comme il est indiqué dans le manuel d'utilisation de l'accessoire en question, un casque de protection peut être nécessaire.
	Ne laisser personne s'approcher	Garder les badauds à une distance de 15 m (50 pi) minimum.
	Ricochet	Les objets projetés peuvent ricocher et infliger des blessures ou causer des dommages matériels.
	Essence et lubrifiant	Utiliser de l'essence sans plomb pour automobiles, avec un indice d'octane de 87 [(R + M) / 2] ou plus. Ce produit utilise un moteur deux temps qui nécessite le mélange d'essence et de lubrifiant 2 temps.

CARACTÉRISTIQUES

FICHE TECHNIQUE

Poids - (sans carburant)3,9 kg (8,7 lb)
Cylindrée26 cc

APPRENDRE À PRODUIR

Voir la figure 1.

L'utilisation sûre de ce produit exige une compréhension des renseignements figurant sur l'outil et contenus dans le manuel d'utilisation, ainsi qu'une bonne connaissance du projet entrepris. Avant d'utiliser ce produit, se familiariser dans le présent manuel et dans les manuels d'utilisation de tous les accessoires employés avec ce bloc moteur.

CONCEPTION ERGONOMIQUE

Ce produit est conçu pour être extrêmement maniable. L'outil est conçu pour pouvoir être tenu confortablement et aisément dans différentes positions et à différents angles.

MOTEUR MONTÉ EN HAUT

Le moteur est monté en haut de l'outil afin d'assurer un bon équilibre de l'outil et de le maintenir loin de la poussière et des débris de coupe.

ASSEMBLAGE

DÉBALLAGE

Ce produit doit être assemblé.

- Avec précaution, sortir le produit et les accessoires de la boîte. S'assurer que toutes les pièces figurant sur la liste de contrôle sont incluses.

AVERTISSEMENT :

Ne pas utiliser le produit si, en le déballant, vous constatez que des éléments figurant dans la liste de contrôle d'expédition sont déjà assemblés. Certaines pièces figurant sur cette liste n'ont pas été assemblées par le fabricant et exigent une installation. Le fait d'utiliser un produit qui a été assemblé de façon inadéquate peut entraîner des blessures.

- Examiner soigneusement le produit pour s'assurer que rien n'a été brisé ou endommagé en cours de transport.
- Ne pas jeter les matériaux d'emballage avant d'avoir soigneusement examiné le produit et avoir vérifié qu'il fonctionne correctement.
- Si des pièces sont manquantes ou endommagées, appeler le 1-800-860-4050.

LISTE DES PIÈCES

Bloc-moteur

Poignée avant

Flacon de lubrifiant 2 temps

Manuel d'utilisation

AVERTISSEMENT :

Si des pièces manquent ou sont endommagées, ne pas utiliser ce produit avant qu'elles aient été remplacées. Le fait d'utiliser ce produit même s'il contient des pièces endommagées ou s'il lui manque des pièces peut entraîner des blessures graves.

AVERTISSEMENT :

Ne pas essayer de modifier ce produit ou de créer des accessoires non recommandés pour la produit. De telles altérations ou modifications sont considérées comme un usage abusif et peuvent créer des conditions dangereuses, risquant d'entraîner des blessures graves.

AVERTISSEMENT :

Pour empêcher un démarrage accidentel pouvant entraîner des blessures graves, toujours déconnecter le fil de bougie de moteur de la bougie d'allumage avant d'assembler des pièces.

INSTALLATION DE DE L'ACCESSOIRE DU BLOC-MOTEUR

Voir la figure 2.

AVERTISSEMENT :

Ne jamais installer, retrait ou ajuster un accessoire lorsque le moteur tourne. Ceci pourrait causer des blessures graves. Ne jamais faire fonctionner le bloc moteur si aucun accessoire n'y est fixé.

L'accessoire se raccorde au bloc-moteur à l'aide d'un dispositif de couplage.

- Desserrer le bouton du coupleur et retirer le capuchon de suspension de l'accessoire.
- Appuyer sur le bouton se trouvant sur l'arbre de l'accessoire. Aligner le bouton sur la rainure guide du bloc-moteur et emboîter les deux arbres. Tourner l'arbre de l'accessoire jusqu'à ce que le bouton s'enclenche dans le trou de positionnement.

NOTE : Si le bouton ne s'engage pas complètement dans le trou de positionnement, les tubes ne sont pas solidement maintenus l'un dans l'autre. Tourner légèrement les tube

ASSEMBLAGE

dans les deux sens jusqu'à ce que le bouton s'engage complètement.

- Serrer le bouton fermement.

AVERTISSEMENT :

S'assurer que le bouton est bien serré avant d'utiliser l'outil et le vérifier de temps à autre pour éviter le risque de blessures graves.

RETRAIT DE L'ACCESSOIRE DU BLOC-MOTEUR

Retrait ou remplacement de l'accessoire :

- Desserrer le bouton.
- Appuyer sur le bouton et tourner les arbres afin de les déverrouiller et de les séparer.

INSTALLATION DE L'ANNEAU DE SUSPENSION

Voir la figure 3.

Il existe deux façons de suspendre l'accessoire pour le remisage.

- Pour installer l'anneau de suspension, appuyer sur le bouton et emboîter le capuchon sur l'extrémité inférieure de l'arbre d'accessoire. Tourner légèrement le capuchon dans un sens et l'autre pour enclencher le bouton.
- Le trou secondaire de l'arbre d'accessoire peut également être utilisé pour suspendre l'accessoire.

INSTALLATION DE LA POIGNÉE AVANT

Voir la figure 4.

- Retirer les écrou à oreilles, rondelle et le boulon de la poignée avant.
- Installer la poignée avant sur le côté supérieur du tube de l'arbre moteur, à l'endroit indiqué par l'étiquette.

NOTE : Le côté ouvert de la poignée doit faire face à l'utilisateur.

- Insérer le boulon dans les trous de la poignée avant.
NOTE : La tête du boulon s'adapte dans le logement moulé d'un côté de la poignée.
- Réinstaller le rondelle et écrou à oreilles.
- Serrer fermement l'écrou papillon.

UTILISATION

AVERTISSEMENT :

Ne pas laisser la familiarité avec le produit faire oublier la prudence. Ne pas oublier qu'une fraction de seconde d'inattention peut entraîner des blessures graves.

AVERTISSEMENT :

Toujours porter une protection oculaire avec écrans latéraux certifiée conforme à la norme ANSI Z87.1, avec protection auditive. Selon le type d'accessoire utilisé et comme il est indiqué dans le manuel d'utilisation de l'accessoire en question, un casque de protection peut être nécessaire. Si cette précaution n'est pas prise, des objets peuvent être projetés dans les yeux et d'autres lésions graves.

AVERTISSEMENT :

Ne pas utiliser d'outils ou accessoires non recommandés pour cet outil. L'utilisation de pièces et accessoires non recommandés peut entraîner des blessures graves.

APPROVISIONNEMENT EN CARBURANT DU BLOC MOTEUR

MÉLANGE DE CARBURANT

Cet outil utilise un moteur deux temps qui nécessite le mélange d'essence et de lubrifiant 2 temps. Mélanger de l'essence sans plomb et de le lubrifiant moteur 2 temps dans un jerrycan de 4

litres (1 gallon) propre homologué pour l'essence.

Carburant recommandé : Cet outil est certifié pour fonctionner avec de l'essence sans plomb pour véhicules automobiles.

Utiliser une huile 2 temps de haute qualité air, à un dosage de 2,6 oz par gallon (18 cl/litre).

Ne pas utiliser de lubrifiant automobile ou pour moteur hors-bord 2 temps.

NE PAS mélanger plus de carburant qu'il ne sera utilisé dans une période de 30 jours.

LUBRIFIANT 2 TEMPS DE HAUTE QUALITÉ



ESSENCE

1 gallon (US)
1 litre

LUBRIFIANT

2,6 oz.
20 cc (20 ml)

REMPLEISSAGE DU RÉSERVOIR

- Nettoyer le pourtour du bouchon de remplissage pour éviter la contamination du carburant.
- Desserrer le bouchon du réservoir de carburant lentement. Poser le bouchon sur une surface propre.
- Verser le mélange dans le réservoir avec précaution. Éviter de répandre du carburant.
- Avant de remettre le bouchon en place, nettoyer et inspecter son joint.
- Remettre immédiatement le bouchon en place et le serrer à la main. Essuyer tout carburant répandu.

NOTE : Il est normal qu'un moteur neuf dégage de la fumée après la première utilisation.

UTILISATION

AVERTISSEMENT :

Toujours arrêter le moteur avant l'approvisionnement en carburant. Ne jamais remplir le réservoir d'une machine lorsque le moteur tourne ou est chaud. S'éloigner d'au moins 9 m (30 pi) du point d'approvisionnement avant de lancer le moteur. Ne pas fumer ! Ne pas prendre cette précaution pourrait entraîner des blessures graves.

CARBURANTS OXYGÉNÉS

NE PAS UTILISER LE CARBURANT E85. LE NON-RESPECT DE CETTE DIRECTIVE ENTRAÎNE L'ANNULATION DE LA GARANTIE.

NOTE : Les dommages au circuit de carburant et les problèmes de performance résultant de l'utilisation de carburant oxygéné contenant des pourcentages de composants oxygénés supérieurs à ceux indiqués ci-dessous **ne sont pas couverts par la garantie.**

Éthanol. L'essence contenant jusqu'à 10 % d'éthanol par volume (généralement désignée E10) ou 15 % d'éthanol par volume (généralement désignée E15) est acceptable. L'essence désignée E85 ne l'est pas.

UTILISATION DU BLOC-MOTEUR

Voir la figure 5.

AVERTISSEMENT :

Toujours tenir l'outil à sa droite. L'utilisation à gauche exposerait l'utilisateur aux surfaces chaudes, créant ainsi des risques de brûlures.

AVERTISSEMENT :

Pour éviter le contact avec les parties brûlantes, ne jamais travailler avec le bas du moteur au-dessus du niveau de la taille.

Tenir le bloc-moteur avec la main droite sur la poignée arrière et la main gauche sur la poignée avant. Garder une prise ferme sur les deux poignées pendant le fonctionnement. Le bloc-moteur doit être tenu dans une position confortable, la poignée arrière se trouvant à peu près à hauteur de la taille.

Toujours faire fonctionner le bloc moteur à pleine puissance. Si des débris s'enroulent autour de l'accessoire, **ARRÊTER LE MOTEUR**, débrancher le fil de la bougie et retirer les débris. Une opération de coupe prolongée à puissance partielle peut entraîner une fuite d'huile du silencieux.

AVERTISSEMENT :

Toujours tenir l'accessoire à l'écart de soi en maintenant une distance de sécurité entre le corps et l'équipement. Tout contact avec la tête de coupe du l'accessoire peut causer des brûlures et / ou d'autres blessures graves.

RICOCHET DE LAME

Lorsqu'il est équipé un accessoire de lame, utiliser cet outil avec la plus extrême prudence. Un ricochet de lame peut se

produire lorsque celle-ci entre en contact avec un objet qu'elle ne peut pas couper. Ce contact peut causer un bref blocage de la lame, qui fait « ricocher » l'outil en direction opposée de l'objet heurté. Cette réaction peut être assez violente pour faire perdre le contrôle de l'outil. Un ricochet peut se produire à tout instant si la lame est bloquée, stoppe ou se coince. Ce problème est plus susceptible de se produire dans les endroits où il n'est pas possible de voir le matériau coupé. Pour faciliter la coupe et assurer la sécurité, travailler avec un mouvement de droite à gauche. Si la lame heurte un obstacle imprévu ou du bois, ceci peut réduire la force du ricochet.

AVERTISSEMENT :

Lorsqu'une lame est utilisée, il est impératif de faire preuve de la plus extrême prudence pour assurer la sécurité. Lire les instructions de sécurité de la lame et consulter les règles de sécurité et les instructions figurant dans le manuel d'utilisation de l'accessoire.

DÉMARRAGE ET ARRÊT

Voir les figures 6 à 8.

Pour le démarrage, le taille-bordures doit être posé sur un sol nu et plat.

Démarrage du moteur froid :

- Appuyer lentement 10 fois sur la poire d'amorçage.
NOTE : Après la 7^e pression, on devrait apercevoir du carburant dans la poire d'amorçage. Sinon, continuer à presser sur l'amorceur jusqu'à voir du carburant dans la poire.
- Mettre le volet de départ en position d'étranglement **FULL CHOKE** (complètement ouvert).
- Appuyer sur le bouton de verrouillage de la gâchette et tirer sur le cordon du lanceur jusqu'à ce que le moteur essaie de démarrer. Ne pas tirer le cordon plus de quatre (4) fois.
NOTE : Tenir la gâchette enfoncée à fond par les étapes restantes.
- Mettre le volet de départ en position **HALF CHOKE** (demi étranglement).
- Tirer sur le cordon du lanceur jusqu'à ce que le moteur démarre. Ne pas tirer le cordon plus de six (6) fois.
NOTE : Si le moteur ne démarre pas, mettre le levier d'étrangleur en position « FULL CHOKE » (Complètement ouvert) et répéter les étapes suivantes.
- Laisser le moteur tourner pendant 10 secondes et mettre le levier du volet de départ en position **RUN** (marche).

Démarrage du moteur chaud :

- Appuyer lentement 10 fois sur la poire d'amorçage.
- Mettre le levier du volet de départ en position **RUN** (marche).
- Appuyer sur le bouton de verrouillage de la gâchette et tirer sur le cordon du lanceur jusqu'à ce que le moteur démarre.

Arrêt du moteur :

- Pour arrêter le moteur, mettre le commutateur **STOP** dans la position d'arrêt «  ».

EN CAS DE BESOIN D'ASSISTANCE AVEC CE PRODUIT :

Ne pas le retourner au magasin de détail où il a été acheté. Pour toute question, appeler notre service après-vente.

Pour toute assistance, appeler le : 1-800-860-4050

ENTRETIEN

AVERTISSEMENT :

Utiliser exclusivement des pièces d'origine pour les réparations. L'usage de toute autre pièce pourrait créer une situation dangereuse ou endommager l'outil.

AVERTISSEMENT :

Toujours porter une protection oculaire avec écrans latéraux certifiée conforme à la norme ANSI Z87.1, avec protection auditive. Selon le type d'accessoire utilisé et comme il est indiqué dans le manuel d'utilisation de l'accessoire en question, un casque de protection peut être nécessaire. Si cette précaution n'est pas prise, des objets peuvent être projetés dans les yeux et d'autres lésions graves.

AVERTISSEMENT :

Avant d'inspecter, nettoyer ou entretenir l'équipement, couper le moteur, attendre que toutes les pièces en mouvement s'arrêtent, déconnecter le fil de la bougie et l'écartier de la bougie. Le non-respect de ces instructions peut entraîner des blessures graves ou des dégâts matériels.

ENTRETIEN GÉNÉRAL

Éviter d'utiliser des solvants pour le nettoyage des pièces en plastique. La plupart des matières plastiques peuvent être endommagées par divers types de solvants du commerce. Utiliser un chiffon propre pour éliminer la saleté, la poussière, le lubrifiant, la graisse, etc.

AVERTISSEMENT :

Ne jamais laisser de liquides tels que le fluide de freins, l'essence, les produits à base de pétrole, les lubrifiants pénétrants, etc., entrer en contact avec les pièces en plastique. Les produits chimiques peuvent endommager, affaiblir ou détruire le plastique, ce qui peut entraîner des blessures graves.

Les réglages et réparations décrits ci-dessous peuvent bien souvent être effectués par l'utilisateur. Les autres réparations doivent être confiées à un centre de réparations agréé.

NETTOYAGE DE L'ORIFICE D'ÉCHAPPEMENT ET DU SILENCIEUX

NOTE : Suivant le type de carburant utilisé, le type et la quantité de lubrifiant et / ou les conditions de travail, l'orifice d'échappement et le silencieux peuvent se calaminer. Si un outil motorisé semble avoir perdu de la puissance, cette calamine doit être éliminée pour restaurer le fonctionnement normal. Il est vivement recommandé de confier ce travail à un technicien qualifié.

PARE-ÉTINCELLES

Le pare-étincelles doit être nettoyé ou remplacé toutes les 50 heures de fonctionnement ou tous les ans pour assurer le fonctionnement correct de l'outil. L'emplacement du pare-étincelles diffère suivant le modèle. Contacter le concessionnaire le plus proche pour connaître l'emplacement du pare-étincelles sur le modèle utilisé.

RÉGLAGE DU RALENTI

Voir la figure 9.

Si l'accessoire de coupe tourne lorsque le moteur est au ralenti, tourner la vis de ralenti du moteur. Tourner la vis de ralenti vers la

gauche pour réduire le régime et arrêter la rotation de l'accessoire de coupe. Si l'accessoire de coupe continue de tourner au ralenti après avoir effectué le réglage, confier au produit à un centre de réparations agréé et ne plus l'utiliser tant que les réparations n'ont pas été effectuées.

AVERTISSEMENT :

L'accessoire de coupe ne doit jamais tourner lorsque le moteur est au ralenti. Tourner la vis de ralenti dans le sens inverse des aiguilles d'une montre pour réduire le régime de ralenti et immobiliser l'accessoire de coupe ou confier au produit à un centre de réparations, et ne pas l'utiliser tant que des réparations n'ont pas été effectuées. La rotation de l'accessoire de coupe au ralenti peut causer des blessures graves.

NETTOYAGE DU FILTRE À AIR ÉCRAN

Voir les figures 10 et 11.

Pour assurer un fonctionnement correct et une longue vie utile, garder le filtre à air propre.

- Retirer le couvercle du filtre à air écran en appuyant sur le loquet avec le pouce et en tirant délicatement sur le couvercle.
- Brosser doucement le écran du le filtre à air pour nettoyer.
- Remettre le couvercle du filtre à air en place en insérant ses languettes dans les fentes de la base du filtre et appuyer sur le couvercle de manière à l'encliqueter correctement.

BOUCHON DU RÉSERVOIR

AVERTISSEMENT :

S'assurer de l'absence de fuites de carburant. Un bouchon de carburant qui fuit pose un risque d'incendie et doit être remplacé immédiatement. Toutes les fuites doivent être éliminées avant d'utiliser le produit. Ne pas prendre cette précaution peut causer un incendie, entraînant des blessures graves.

Le bouchon du réservoir de carburant contient un filtre et un clapet antiretour non réparables. Un filtre à carburant colmaté nuit au bon fonctionnement du moteur. Si le fonctionnement du moteur s'améliore lorsque le bouchon est desserré, le clapet antiretour peut être défectueux ou le filtre colmaté. Si nécessaire, remplacer le bouchon de carburant.

REPLACEMENT DE LA BOUGIE

Ce moteur utilise une bougie Champion RCJ-6Y ou NGK BPMR7A avec un écartement d'électrode de 0,63 mm (0,025 po). La bougie doit être remplacée annuellement par une bougie identique.

REMISAGE LE PRODUIT

- Nettoyer soigneusement le produit. La remise dans un endroit bien aéré, inaccessible aux enfants. La tenir à l'écart de produits corrosifs, tels que les produits chimiques de jardinage et le sel de dégivrage.
- Se conformer à toutes les réglementations locales et gouvernementales concernant la sécurité de la manipulation et de l'entreposage de l'essence.

Remisage 1 mois ou plus :

- Vider complètement le réservoir de carburant dans un bidon ou jerrycan approuvé pour l'essence. Laisser le moteur tourner jusqu'à ce qu'il cale.

DÉPANNAGE

SI LES PRÉSENTES SOLUTIONS NE RÉSOLVENT PAS LE PROBLÈME, CONTACTER LE CENTRE DE RÉPARATIONS AGRÉÉ.

PROBLÈME	CAUSE POSSIBLE	SOLUTION
Le moteur ne démarre pas	<p>Pas d'étincelle.</p> <p>Pas de carburant.</p> <p>Moteur noyé.</p>	<p>Nettoyer ou remplacer la bougie. Régler l'écartement de l'électrode. Voir Remplacement de la bougie plus haut dans ce manuel.</p> <p>Actionner la poire d'amorçage jusqu'à ce qu'elle soit remplie de carburant. Si elle ne se remplit pas, le système d'alimentation en carburant est obstrué. Contacter un centre de réparations. Si la poire se remplit, il se peut que le moteur soit noyé, passer au paragraphe suivant.</p> <p>Mettre le volet de départ en position d'étranglement START (démarrage). Maintenir la gâchette enfoncée et tirer sur le cordon du lanceur jusqu'à ce que le moteur démarre.</p> <p>NOTE : Selon l'importance du noyage, plusieurs tractions du cordon peuvent s'avérer nécessaires.</p>
Le moteur ne parvient pas au régime maximum et dégage trop de fumée	<p>Vérifier le mélange lubrifiant / carburant.</p> <p>Filtre à air écran encrassé.</p> <p>Écran pare-étincelles encrassé.</p> <p>Bougie encrassée.</p>	<p>Utiliser un mélange de carburant et de lubrifiant 2 temps correct et frais. (50:1).</p> <p>Nettoyer le filtre à air écran. Voir la section Nettoyage du filtre à air écran, plus haut dans ce manuel.</p> <p>Contacteur un centre de réparations agréé.</p> <p>Nettoyer ou remplacer la bougie. Régler l'écartement de l'électrode. Voir Remplacement de la bougie plus haut dans ce manuel.</p>
Le moteur démarre, tourne et accélère correctement, mais ne tient pas le ralenti	La vis de ralenti du carburateur doit être réglée.	Tourner la vis de ralenti vers la droite, pour augmenter le régime de ralenti. Voir la figure 9.

ÉNONCÉ DE LA GARANTIE LIMITÉE

Techtronic Industries North America, Inc., garantit à l'acheteur original que ce produit RYOBI® est exempt de tous vices de matériaux ou de fabrication et s'engage à réparer ou remplacer gratuitement, à son choix, tout produit s'avérant défectueux au cours des périodes indiquées ci-dessous, à compter de la date d'achat.

- Trois ans sur les produits utilisés par des particuliers ;
- 90 jours sur les produits utilisés à toutes autres fins, telles que les travaux commerciaux et la location.

Cette garantie n'est offerte qu'à l'acheteur original et entre en vigueur à la date de l'achat original.

Toute pièce de ce produit jugée, après évaluation raisonnable par Techtronic Industries North America, Inc., comme présentant des vices de matériaux ou de fabrication, sera réparée ou remplacée, sans facturation pour pièces ou main d'oeuvre par un centre de réparations agréé pour produits d'extérieur de marque RYOBI® (centre de réparations Ryobi agréé).

Le produit, y compris toutes les pièces défectueuses devront être retournés à un centre de réparations Ryobi agréé, avant expiration de la période de garantie. Les frais d'expédition au centre de réparations pour les travaux sous garantie et de retour au propriétaire du produit seront assumés par le propriétaire. En ce qui concerne les réclamations en garantie, la responsabilité Techtronic Industries North America, Inc., se limitera à la réparation ou au remplacement des produits défectueux et aucune revendication de rupture de garantie ne pourra causer l'annulation ou la résiliation du contrat de vente d'un produit d'extérieur RYOBI® quel qu'il soit. Une preuve d'achat sera exigée par le centre de réparation, afin de valider toute réclamation au titre de la garantie. Toutes les réparations sous garantie devront être effectuées par un centre de réparations agréé.

La garantie sur tout produit d'extérieur RYOBI® utilisé pour la location, des travaux commerciaux ou tout autre usage lucratif, sera limitée à quatre-vingt-dix (90) jours, à compter de la date d'achat au détail original.

Cette garantie ne couvre pas les produits ayant fait l'objet d'un usage abusif ou négligent, d'un manque d'entretien, ayant été impliqués dans un accident ou employé de façon contraire aux instructions du manuel d'utilisation. Cette garantie ne couvre ni les dommages aux produits résultant d'un manque d'entretien, ni les produits qui ont été altérés ou modifiés. La garantie exclut les réparations rendues nécessaires par l'usure normale ou l'utilisation de pièces et accessoires incompatibles avec le produit d'extérieur RYOBI® ou nuisibles à son bon fonctionnement, ses performances ou sa durabilité. En outre, cette garanti exclut :

A. Les réglages – Bougies, carburateur, réglages du carburateur, allumage, filtres

B. Les articles consommables – Boutons d'avance par choc, bobines externes, lignes de coupe, bobines internes, poulies et cordons de lanceur, courroies d'entraînement, dents, rondelles en feutre, axes d'attelage, lames de paillage, ventilateur de soufflante, tubes de soufflage et d'aspiration, sacs à débris, guides, chaînes de scie

Techtronic Industries North America, Inc., se réserve le droit d'apporter des modifications ou améliorations à tout produit extérieur RYOBI®, sans obligation de modifier les produits fabriqués antérieurement.

LA DURÉE DE TOUTES LES GARANTIES IMPLICITES NE SAURAIT EN AUCUN CAS EXCÉDER LA PÉRIODE DE GARANTIE DÉCLARÉE. PAR CONSÉQUENT, TOUTES LES GARANTIES IMPLICITES, Y COMPRIS LES GARANTIES DE VALEUR MARCHANDE OU D'ADÉQUATION À UN USAGE PARTICULIER OU AUTRES SERONT INVALIDÉES À L'EXPIRATION DE LA PÉRIODE DE GARANTIE APPROPRIÉE DE TROIS ANS, UN AN OU QUATRE-VINGT-DIX JOURS. LES OBLIGATIONS DE TECHTRONIC INDUSTRIES NORTH AMERICA, INC., DANS LE CADRE DE CETTE GARANTIE SE LIMITENT EXCLUSIVEMENT À LA RÉPARATION OU AU REMPLACEMENT DES PIÈCES DÉFECTUEUSES ET TECHTRONIC INDUSTRIES NORTH AMERICA, INC. N'ASSUME OU N'AUTORISE QUICONQUE À ASSUMER QUELQUE AUTRE OBLIGATION QUE CE SOIT. CERTAINS ÉTATS ET PROVINCES NE PERMETTANT PAS DE LIMITATION DE DURÉE DES GARANTIES IMPLICITES, LES RESTRICTIONS CI-DESSOUS PEUVENT NE PAS ÊTRE APPLICABLES. TECHTRONIC INDUSTRIES NORTH AMERICA, INC., DÉCLINE TOUTE RESPONSABILITÉ EN CE QUI CONCERNE LES DOMMAGES DIRECTS, INDIRECTS OU AUTRES, Y COMPRIS, MAIS SANS S'Y LIMITER, LES FRAIS DE RETOUR DE PRODUITS À UN CENTRE DE RÉPARATION RYOBI AGRÉÉ ET DE RENVOI AU PROPRIÉTAIRE, DE DÉPLACEMENT D'UN TECHNICIEN, DE TÉLÉPHONE OU TÉLÉGRAMME, DE LOCATION D'UN PRODUIT SIMILAIRE PENDANT LA DURÉE DES RÉPARATIONS SOUS GARANTIE, DE DÉPLACEMENT, DE PERTES OU DOMMAGES À DES BIENS PERSONNELS, DE MANQUE À GAGNER, DE PERTE D'USAGE DU PRODUIT, DE PERTE DE TEMPS OU DE DÉRANGEMENT. CERTAINS ÉTATS ET PROVINCES NE PERMETTANT L'EXCLUSION OU LA LIMITATION DES DOMMAGES DIRECTS OU INDIRECTS, LES RESTRICTIONS CI-DESSOUS PEUVENT NE PAS ÊTRE APPLICABLES.

Cette garantie donne au consommateur des droits spécifiques, et celui-ci peut bénéficier d'autres droits, qui varient selon les états ou provinces.

Cette garantie couvre tous les produits d'extérieur RYOBI® fabriqués par Techtronic Industries North America, Inc., vendus aux États-Unis et au Canada.

Pour obtenir l'adresse du centre de réparations Ryobi agréé le plus proche, appeler le 1-800-860-4050.

GARANTIE

L'ÉNONCÉ DE CALIFORNIA AIR RESOURCES BOARD (CARB) QUI SUIT, S'APPLIQUE SEULEMENT AUX NUMÉROS DE MODÈLES QUI DOIVENT SE CONFORMER AUX EXIGENCES DE CARB.

TECHTRONIC INDUSTRIES NORTH AMERICA, INC. DÉCLARATION DE GARANTIE LIMITÉE SYSTÈMES DE CONTRÔLE DES ÉMISSIONS POUR LES ÉTATS-UNIS ET LA CALIFORNIE. PETITS MOTEURS NON ROUTIERS ET HORS ROUTE VOS DROITS ET RESPONSABILITÉS EN VERTU DE CETTE GARANTIE

L'U.S. Environmental Protection Agency (EPA), le California Air Resources Board (CARB) et Techtronic Industries North America, Inc. se font un plaisir de vous expliquer la garantie de conformité du système antipollution de votre petit moteur non routier ou hors-route, modèle 2010. En Californie, l'équipement neuf qui utilise les moteurs non routiers ou hors-route, doit être conçu, construit et équipé conformément aux strictes réglementations sur l'antipollution de cet État. Dans d'autres États, les moteurs non routiers modèles 2000 et ultérieurs doivent être conçus, construits et équipés au moment de la vente de façon à être conformes aux réglementations sur l'antipollution issues par l'EPA (agence de protection de l'environnement américaine) pour les petits moteurs non routiers. Le moteur non routier doit être exempt sur les vices de matériaux et de fabrication entraînant la non conformité aux réglementations de l'EPA, pendant les trois premières années d'utilisation, à compter de la date de vente à l'acheteur d'origine. Techtronic Industries North America, Inc. doit garantir le système de contrôle des émissions de vos petits moteurs non routiers ou hors-route pour la période indiquée ci-dessus, à condition que ceux-ci n'aient pas fait l'objet d'un usage abusif ou d'un manque d'entretien.

Votre système de contrôle des émissions peut inclure des pièces telles que le carburateur ou le système d'injection de carburant, le système d'allumage, les convertisseurs catalytiques, les réservoirs de carburant, les valves, les filtres, les fixations, les connecteurs et d'autres composants connexes. Il peut également inclure les tuyaux, les courroies, les connecteurs et d'autres articles relatifs au système d'émissions.

Dans l'éventualité d'un problème couvert par la garantie, Techtronic Industries North America, Inc. s'engage à réparer gratuitement votre moteur non routier ou hors-route, ce qui comprend le diagnostique, les pièces et la main-d'œuvre, dans un centre de réparations agréé pour les produits de marque RYOBI®.

DURÉE DE LA GARANTIE DU FABRICANT

Le système de contrôle d'émissions pour ce produit est garanti pour trois ans. Si une pièce relative au système de contrôle d'émissions de votre moteur est défectueuse, elle sera réparée ou remplacée sans frais par Techtronic Industries North America, Inc.

RESPONSABILITÉS DU PROPRIÉTAIRE DANS LE CADRE DE LA GARANTIE

(a) En tant que propriétaire de ce petit moteur non routier ou hors-route, vous êtes tenu d'effectuer les entretiens indiqués dans le manuel d'utilisation. Techtronic Industries North America, Inc. recommande de conserver tous les reçus relatifs à l'entretien du petit moteur non routier ou hors-route, mais Techtronic Industries North America, Inc. ne peut pas refuser la couverture de la garantie pour l'unique raison du manque de reçus ou parce que vous avez omis d'effectuer tous les entretiens prévus. Des pièces et services assurant des performances et une durabilité équivalente peuvent être utilisées pour les entretiens et réparations non couverts par la garantie, sans que cela ne change les obligations de garantie de Techtronic Industries North America, Inc.

(b) Toutefois, en tant que propriétaire du petit moteur non routier ou hors-route, vous devez être averti que les réparations couvertes par la garantie peuvent être refusées par Techtronic Industries North America, Inc. si la défaillance de ce moteur ou d'une de ses pièces est due à un usage abusif, la négligence, un manque d'entretien ou des modifications non approuvées.

(c) Vous êtes tenu de confier votre petit moteur non routier ou hors-route à un centre de réparations agréé dès qu'un problème se présente. Les réparations sous garantie seront effectuées dans un délai raisonnable, ne dépassant pas 30 jours.

Si vous avez des questions concernant vos droits et responsabilités dans le cadre de la garantie, contactez un représentant de Techtronic Industries North America, Inc. au 1-800-860-4050.

COUVERTURE

(a) La période de la couverture commence à la date de livraison du moteur ou d'équipement à l'acheteur.

(b) Couverture générale de garantie antipollution. Techtronic Industries North America, Inc. garantit à l'acheteur d'origine, ainsi qu'à tous les propriétaires ultérieurs, que son petit moteur non routier ou hors-route est conçu, construit et équipé conformément à toutes les réglementations de California Air Resources Board ou United States Environmental Protection Agency en vigueur au moment de la vente et que son petit moteur non routier ou hors-route sera exempt de tous défauts de matériaux ou de fabrication causant une non conformité aux réglementations en vigueur, pour une période de trois ans après l'acquisition du moteur par l'acheteur d'origine.

(c) La garantie sur les pièces se rapportant au système de contrôle d'émissions sera interprétée comme suit: Toute pièce couverte par la garantie qui ne doit pas être remplacée selon le Calendrier d'entretien du système de contrôle d'émissions et selon la Liste de pièces garanties, lesquels sont conformément stipulés ci-dessous, est garantie pour la période de trois ans. Si une telle pièce (y compris les pièces qui doivent seulement être inspectées régulièrement) s'avère défectueuse, elle sera réparée ou remplacée gratuitement dans un centre de réparations agréé RYOBI®. Toute pièce réparée ou remplacée dans le cadre de cette garantie sera garantie pour le reste de la durée de la garantie. Un énoncé stipulant « réparez ou remplacez au besoin » ne réduirait pas la période de couverture de la garantie. Toute pièce qui doit être remplacée conformément au Calendrier d'entretien du système de contrôle d'émissions et la Liste de pièces garanties est garantie pour la période de temps

précédant le premier remplacement prévu pour cette pièce. Toute pièce de ce genre réparée ou remplacée dans le cadre de cette garantie est garantie pour le restant de la période qui précède la première échéance de remplacement, et elle sera réparée ou remplacée gratuitement dans un centre de réparations agréé RYOBI® jusqu'au moment où elle doit être remplacée.

Techtronic Industries North America, Inc. effectuera les réparations sous garantie dans un centre de réparations RYOBI® agréé ou chez un concessionnaire. Tout diagnostic effectué dans un centre de réparations RYOBI® agréé sera gratuit si le diagnostic aide à déterminer qu'une pièce couverte par la garantie est défectueuse. Des pièces approuvées par le fabricant ou équivalentes peuvent être utilisées pour tout entretien ou réparation sous garantie des pièces relatives au système de contrôle des émissions et doivent être fournies gratuitement au propriétaire si la pièce est toujours sous garantie. Techtronic Industries North America, Inc. est responsable des dommages au moteur causés par une pièce toujours couverte par la garantie.

Des ajouts ou des pièces modifiées qui ne sont pas exemptées par California Air Resource Board ne peuvent pas être utilisées. L'utilisation de toute pièce non-exemptée ou modifiée peut justifier le refus d'une réclamation au titre de la garantie. Techtronic Industries North America, Inc. ne sera pas responsable pour des dommages aux pièces sous garantie causés par l'utilisation d'une pièce non-exemptée ou modifiée.

Le California Air Resources Board a publié une liste de toutes les pièces de systèmes d'émissions couvertes par une garantie. (Bien que les réglementations de l'EPA n'incluent pas de liste, les pièces qu'elle considère comme devant être garanties sont indiquées ci-dessous.) Techtronic Industries North America, Inc., fournira tous les documents relatifs aux procédures et politiques se rapportant à sa garantie dans les cinq jours suivant une demande de California Air Resources Board.

LISTE DE PIÈCES DU SYSTÈME DE CONTRÔLE D'ÉMISSIONS

Les pièces du système de contrôle d'émissions varient dépendamment du produit. Votre garantie du système de contrôle d'émissions s'applique à tous les composants suivants qui peuvent faire partie de votre produit:

- (1) Système de contrôle d'alimentation en carburant
 - (i) Carburateur et les composants internes (et/ou régulateur de pression ou système d'alimentation par injection).
 - (ii) Système de contrôle de rapport air/carburant.
 - (iii) Système d'enrichissement pour démarrage à froid.
 - (iv) Réservoir de carburant.
- (2) Système d'admission d'air
 - (i) Système d'admission contrôlée d'air chaud.
 - (ii) Tubulure d'admission.
 - (iii) Filtre à air.
- (3) Système d'allumage
 - (i) Bougies d'allumage.
 - (ii) Système d'allumage magnéto-électrique.
 - (iii) Système d'avance/retard à l'allumage.
- (4) Système de recirculation des gaz d'échappement (RGE)
 - (i) Corps de vanne et l'espaceur du carburateur de RGE, si applicable.
 - (ii) Système de contrôle du taux de RGE.
- (5) Système d'injection d'air
 - (i) Pompe à air ou valve à impulsion.
 - (ii) Valves qui affectent la distribution d'écoulement.
 - (iii) Distributeur.
- (6) Catalyseur ou système de réacteur thermique
 - (i) Convertisseur catalytique.
 - (ii) Réacteur thermique.
 - (iii) Tubulure d'échappement.
- (7) Contrôles de particules
 - (i) Pièges, filtres, électrofiltres et tout autre dispositif utilisé pour capturer les émissions de particules.
- (8) Pièces diverses utilisées dans les systèmes énumérés ci-dessus
 - (i) Commandes électroniques.
 - (ii) Valves et interrupteurs sensibles au vide, à la température et au temps.
 - (iii) Tuyaux, courroies, connecteurs et modules.

Techtronic Industries North America, Inc. fournira au propriétaire des instructions d'entretien et d'utilisation écrites avec chaque nouveau moteur.

La période de conformité aux réglementations antipollution de l'autocollant de conformité d'émissions indique le nombre nominal d'heures de fonctionnement du moteur conformément aux réglementations du gouvernement fédéral américain. Catégorie C = 50 heures, B = 125 heures, A = 300 heures.

GARANTIE

CE PRODUIT A ÉTÉ ÉQUIPÉ EN USINE D'UN CONVERTISSEUR CATALYTIQUE

Félicitations ! Vous venez d'investir dans la protection de l'environnement. Pour maintenir le niveau d'émissions original de ce produit, voir la section Entretien ci-dessous.

PROGRAMME D'ENTRETIEN DU SYSTÈME D'ÉMISSIONS ET LISTE DES PIÈCES GARANTIES

Pièces du système	Inspecter avant chaque utilisation	Nettoyer toutes le 5 heures de fonctionnement	Remplacer toutes les 25 heures ou chaque année	Remplacer toutes les 25 heures ou chaque année	Reemplácelo cada 125 heures
-------------------	------------------------------------	---	--	--	-----------------------------

CONJUNTO DE SILENCIADOR CATALÍTICOX

FILTRE À AIR

INCLUT :

FILTRE ÉCRANX

ÉCRAN PARE-ÉTINCELLESX

CARBURATEUR

INCLUT :

ÉCRAN THERMIQUEX

JOINTSX

RÉSERVOIR DE CARBURANT

INCLUT :

CONDUITES DE CARBURANTX

BOUCHON DU RÉSERVOIR

DE CARBURANTX

FILTRE À CARBURANTX

ALLUMAGE

INCLUT :

BOUGIEX

TOUTES LES PIÈCES RELATIVES AU SYSTÈME DE CONTRÔLE DES ÉMISSIONS SONT GARANTIES DEUX ANS OU POUR LA PÉRIODE ANTÉRIEURE AU PREMIER REMPLACEMENT PRÉVU, SELON LA PREMIÈRE ÉCHÉANCE.



NOUS APPELER D'ABORD

Pour toute question concernant l'utilisation ou l'entretien utiliser ce produit, appeler le service d'assistance téléphonique Ryobi®!

Le taille-bordures à été entièrement testé avant expédition pour assurer la complète satisfaction de l'utilisateur.

REGLAS DE SEGURIDAD GENERALES

ADVERTENCIA:

Lea y comprenda todas las instrucciones. El incumplimiento de las instrucciones señaladas puede causar descargas eléctricas, incendios y lesiones corporales serias.

LEA TODAS LAS INSTRUCCIONES

- Para utilizar este producto de una forma segura, lea y entienda todas las instrucciones antes de usarlo. Siga todas las instrucciones de seguridad. La inobservancia de todas las instrucciones de seguridad señaladas puede causar lesiones corporales graves.
- No permita que utilicen esta unidad niños ni personas carentes de la debida instrucción para su manejo.
- Nunca arranque ni accione el motor en un área cerrada o con ventilación insuficiente; la inhalación de las emanaciones del escape puede ser mortal.
- Despeje el área de trabajo cada vez antes de utilizar esta herramienta. Retire todos los objetos tales como piedras, vidrios rotos, clavos, alambre o cuerdas que pudiesen resultar lanzados o enredados en el hilo de corte o cuchilla, según sea el caso.
- Siempre póngase protección ocular con protección lateral con la marca de cumplimiento de la norma ANSI Z87.1. La inobservancia de esta advertencia puede permitir que los objetos lanzados hacia los ojos puedan provocar lesiones graves.
- Póngase pantalones, mangas largas, botas y guantes gruesos. No se ponga ropa holgada o pantalones cortos, sandalias ni ande descalzo. No se ponga joyas de ninguna clase.
- La ropa protectora pesada puede aumentar la fatiga del operador, lo cual puede originar un golpe de calor. En climas cálidos y húmedos, el trabajo pesado debe programarse para las primeras horas de la mañana o las últimas horas de la tarde, cuando las temperaturas son más bajas.
- Los usuarios del producto en las jurisdicciones del Servicio Forestal de los Estados Unidos, y en algunos estados, deben cumplir con los reglamentos de prevención de incendios. Este producto está equipado de un parachispas; no obstante es posible que el usuario deba cumplir otros requisitos. Consulte con las autoridades federales, estatales o locales.
- Nunca utilice esta unidad colocándola al lado izquierdo de usted.
- Recójase el cabello largo arriba del nivel de los hombros para evitar que se enrede en las piezas móviles.
- Mantenga a todas las personas presentes, niños y animales por lo menos a 15 m (50 pies) de distancia. Debe exhortarse a los circunstantes a ponerse protección para los ojos. Si alguien se aproxima mientras usted está utilizando la herramienta, apague el motor y el accesorio de corte. En el caso de las unidades con cuchilla, existe el riesgo adicional de que las personas presentes sufran lesiones al ser golpeadas con la cuchilla en movimiento en caso de un contragolpe de la cuchilla u otra reacción inesperada de la hoja o motosierra.
- No use esta unidad cuando se encuentre fatigado, enfermo o bajo los efectos del alcohol, drogas o medicamentos.
- No utilice este producto si no hay luz suficiente.
- Mantenga los pies bien afirmados y el equilibrio. No trate de alcanzar demasiado lejos. Al tratar de hacerlo puede perder el equilibrio o exponerse al contacto con superficies calientes.
- No utilice la unidad al estar en una escalera o en un soporte inestable. Una postura estable sobre una superficie sólida permite un mejor control de la herramienta en situaciones inesperadas.
- Mantenga todas las partes del cuerpo alejadas de toda pieza móvil.
- Para evitar tocar superficies calientes, al utilizar esta unidad nunca coloque la parte inferior de la misma arriba del nivel de la cintura.
- No toque las áreas alrededor del silenciador o del cilindro de la unidad, estas partes se calientan durante el funcionamiento.
- Siempre apague el motor y retire el cable de la bujía antes de realizar cualquier ajuste o reparaciones, excepto para los ajustes del carburador.
- Inspeccione cada vez la unidad antes de usarla para ver si tiene tornillos flojos, fugas de combustible, etc. Reemplace toda pieza dañada antes de utilizar la unidad.
- El accesorio de corte nunca debe girar en marcha lenta durante el uso normal. El accesorio de corte puede girar en marcha lenta durante los ajustes del carburador.
- Ha habido informes de que las vibraciones de las herramientas motorizadas de mano pueden contribuir, en ciertas personas, al desarrollo de una condición llamada síndrome de Raynaud. Entre los posibles síntomas está el hormigueo, el entumecimiento y la palidez de los dedos, síntomas presentes normalmente con la exposición al frío. Se cree que los factores hereditarios, la exposición al frío y a la humedad, la dieta, el fumar y las prácticas de trabajo contribuyen al desarrollo de estos síntomas. Actualmente se desconoce qué tipo de vibraciones o cuánto tiempo de exposición a las mismas, si tal es el caso, pueden contribuir a la mencionada afección. Hay medidas de precaución que puede tomar el operador para reducir posiblemente los efectos de la vibración:
 - a) Mantenga caliente el cuerpo en tiempo frío. Al utilizar la unidad use guantes para mantener calientes las manos y las muñecas. Los informes médicos indican que el clima frío es un factor importante que contribuye al síndrome de Raynaud.
 - b) Después de cada período de utilización de la unidad, haga ejercicio para aumentar la circulación de la sangre.
 - c) Tome descansos frecuentes durante el trabajo. Limite la cantidad de exposición al día.
 - d) Mantenga la herramienta bien cuidada, con los elementos de sujeción debidamente apretados y siempre cambiando las piezas desgastadas.Si sufre cualquiera de los síntomas propios de esta condición, de inmediato interrumpa el uso de la unidad y consulte a su doctor en lo concerniente a los mismos.
- Mezcle y guarde el combustible en un recipiente aprobado para gasolina.
- Mezcle el combustible al aire libre, donde no haya chispas ni llamas. Limpie todo derrame de combustible. Aléjese por lo menos 9 m (30 pies) del sitio de reabastecimiento de combustible antes de encender el motor. Afloje lentamente la tapa del tanque de combustible después de apagarse el motor. No fume durante el reabastecimiento.

REGLAS DE SEGURIDAD GENERALES

- Apague el motor y deje que se enfríe antes del reabastecimiento de combustible o de guardar la unidad.
- Deje que se enfríe el motor; vacíe el tanque de combustible y fije la unidad para inmovilizarla antes de transportarla en un vehículo.
- Póngase equipo de protección y observe todas las instrucciones de seguridad. Para los productos equipados de embrague, asegúrese de que el accesorio de corte deje de girar al tenerse el motor en marcha lenta. Al apagar la unidad, asegúrese de que el accesorio de corte se haya detenido antes de dejarla en reposo.

REGLAS DE SEGURIDAD ESPECÍFICAS

REGLAS DE SEGURIDAD ESPECÍFICAS PARA EL USO DE LA RECORTADORA

- Inspeccione el producto cada vez antes usarlo. Reemplace toda pieza dañada. Asegúrese de que todos los tornillos y demás elementos de unión estén en lugar y bien firmes. Revise la herramienta para ver si tiene fugas de combustible.
- Reemplace el cabezal del hilo si estuviese agrietado, astillado o dañado de alguna manera. Asegúrese de que el cabezal del hilo, o cuchilla, según sea el caso, esté debidamente instalado y firmemente asegurado. La inobservancia de esta advertencia puede causar lesiones corporales serias.
- Asegúrese de que todas las protecciones, correas, deflectores y mangos estén firme y correctamente instalados.
- En el cabezal de corte use únicamente hilo de repuesto del fabricante original. No use ningún otro aditamento de corte. Instalar cualquier otra marca de hilo de corte o únicamente hilo de repuesto en esta recortadora de hilo puede producir lesiones corporales serias. Por ejemplo, nunca utilice alambre ni cable, segmentos de los cuales pueden desprenderse y convertirse en peligrosos proyectiles.
- Nunca utilice la unidad si el deflector de césped no está en posición y en buenas condiciones de funcionamiento.
- Nunca use hojas, dispositivos móviles, alambre ni cuerdas en aditamento de recortadora attachment.
- Sujete firmemente ambos mangos al estar recortando. Mantenga el cabezal del hilo por debajo del nivel de la cintura. Nunca corte con el cabezal del hilo a más de 762 mm (30 pulg.) del suelo.

REGLAS DE SEGURIDAD ESPECÍFICAS PARA EL USO DE LA DESBROZADORA Y LA CUCHILLA




- Las hojas desbrozadoras continúan girando por inercia después de que se suelta el gatillo del acelerador o se detiene el motor. Mientras las hojas estén girando, manténgalas en malezas más gruesas o tallos pulposos hasta que se detengan completamente.
- No utilice la desbrozadora si la protección de la misma no está firmemente montada en su lugar y en buenas condiciones.
- Para utilizar la desbrozadora e instalar o desmontar la cuchilla póngase guantes gruesos.
- Siempre pare el motor y retire el cable de la bujía antes de intentar retirar cualquier obstrucción atrapada o atorada en la cuchilla, y antes de desmontar o instalar la cuchilla.

- No intente tocar o detener la cuchilla mientras continúe girando.
- La hoja de corte puede causar lesiones en su giro de inercia después de apagarse el motor, o de soltarse el gatillo del acelerador. Mantenga un control adecuado de la herramienta hasta que se detenga por completo la hoja de corte.
- Reemplace toda cuchilla dañada. Siempre asegúrese que la cuchilla esté instalada correctamente y acoplada firmemente antes de cada uso. La inobservancia de esta advertencia puede causar lesiones corporales serias.
- Solamente utilice cuchilla de repuesto Tri-Arc® del fabricante destinada a esta desbrozadora. No utilice ninguna otra cuchilla. Instalar una cuchilla o cabezal de corte de cualquier otra marca en esta desbrozadora puede producir lesiones corporales serias.
- La cuchilla Tri-Arc® sólo es adecuada para cortar maleza espesa y tallos pulposos. No la use para ningún otro propósito. Nunca utilice la cuchilla Tri-Arc® para cortar maleza leñosa.
- Tenga extrema precaución al utilizar la cuchilla con esta unidad. El contragolpe de la cuchilla es la reacción que puede ocurrir cuando la hoja de corte en su movimiento giratorio toca un objeto que no puede cortar. Este contacto puede causar que la cuchilla se detenga durante un instante, y súbitamente “aviente” la unidad alejándola del objeto que tocó. Esta reacción puede ser de violencia suficiente para causar que el operador pierda el control de la unidad. El contragolpe de la cuchilla puede ocurrir sin ninguna señal previa si la cuchilla se engancha, se traba o se atasca. Esto tiene más probabilidad de ocurrir en áreas donde es difícil ver el material que está cortándose. Para mayor facilidad de corte y seguridad, corte las hierbas de derecha a izquierda. En caso de encontrar un objeto inesperado o material leñoso, esto podría reducir el contragolpe de la cuchilla.
- Nunca corte ningún material de diámetro superior a 13 mm (1/2 pulg.).
- Siempre póngase la correa para el hombro al utilizar la desbrozadora y ajústelo a una posición de manejo cómoda. Mantenga sujetos firmemente ambos mangos al estar cortando con una cuchilla. Mantenga la cuchilla lejos del cuerpo y abajo del nivel de la cintura.
- Nunca utilice la desbrozadora con la cuchilla a más de 762 mm (30 pulg.) del suelo.
- Guarde estas instrucciones. Consúltelas con frecuencia y empléelas para instruir a otras personas que puedan utilizar esta herramienta. Si presta a alguien esta herramienta, facilítele también las instrucciones.







NOTA: SE PUEDEN ENCONTRAR REGLAS DE SEGURIDAD ESPECÍFICAS ADICIONALES EN EL MANUAL DEL OPERADOR CORRESPONDIENTE AL ACCESORIO.

SÍMBOLOS

Las siguientes palabras de señalización y sus significados tienen el objeto de explicar los niveles de riesgo relacionados con este producto.

SÍMBOLO	SEÑAL	SIGNIFICADO
	PELIGRO:	Indica una situación peligrosa inminente, la cual, si no se evita, causará la muerte o lesiones serias.
	ADVERTENCIA:	Indica una situación peligrosa posible, la cual, si no se evita, podría causar la muerte o lesiones serias.
	PRECAUCIÓN:	Indica una situación potencialmente peligrosa la cual, si no se evita, puede causar lesiones leves o moderadas.
	PRECAUCIÓN:	(Sin el símbolo de alerta de seguridad) Indica una situación que puede producir daños materiales.

Es posible que se empleen en este producto algunos de los siguientes símbolos. Le suplicamos estudiarlos y aprender su significado para mayor seguridad al manejar este producto.

SYMBOLO	NOMBRE	EXPLICACIÓN
	Símbolo de alerta de seguridad	Indica un peligro posible de lesiones personales.
	Lea el manual del operador	Para reducir el riesgo de lesiones, el usuario debe leer y comprender el manual del operador antes de usar este producto.
	Protección para los ojos, los oídos y la cabeza	Siempre póngase protección ocular con la marca de cumplimiento de la norma ANSI Z87.1 junto con protección para los oídos. Es posible que se requiera una protección para la cabeza, según el tipo de accesorio o según se describe en el Manual del operador de éste.
	Mantenga alejadas a las personas presentes	Mantenga alejados a los observadores a un mínimo de 15 m (50 pies) de distancia.
	Rebote	Cualquier objeto lanzado puede rebotar y producir lesiones personales o daños físicos.
	Gasolina y lubricante	Use gasolina sin plomo destinada para vehículos con un octanaje de 87 [(R + M) / 2] o más. Este producto está impulsado por un motor de dos tiempos y utiliza una mezcla de gasolina y lubricante para motor de dos tiempos.

CARACTERÍSTICAS

ESPECIFICACIONES DEL PRODUCTO

Peso - (sin combustible).....3,9 kg (8,7 lb.)
Cilindrada del motor.....26 cc

FAMILIARÍCESE CON SU PRODUCTO

Vea la figura 1.

Para usar este producto con la debida seguridad se debe comprender la información indicada en la herramienta misma y en este manual, y se debe comprender también el trabajo que intenta realizar. Antes de usar este producto, familiarícese con todas las características de funcionamiento y normas de seguridad del mismo, que aparecen en este manual y en los manuales del operador de todos los accesorios que utiliza en este cabezal motor.

DISEÑO ERGONÓMICO

El diseño de la producto permite un fácil manejo de la misma. El diseño brinda una sujeción cómoda y fácil para el trabajo en diferentes posiciones y ángulos.

MOTOR MONTADO EN LA PARTE SUPERIOR

Con el motor montado en la parte superior se mejora el equilibrio y está alejado del polvo y de los desechos del área de corte.

ARMADO

DESEMPAQUETADO

Embarcamos este producto completamente armado.

- Extraiga cuidadosamente de la caja la producto y los accesorios. Asegúrese de que estén presentes todos los artículos enumerados en la lista de empaquetado.

ADVERTENCIA:

No utilice este producto si alguna pieza incluida en la lista lista de empaquetado ya está ensamblada al producto cuando lo desempaqueta. El fabricante no ensambla las piezas de esta lista en el producto. Éstas deben ser instaladas por el usuario. El uso de un producto que puede haber sido ensamblado de forma inadecuada podría causar lesiones personales graves.

- Inspeccione cuidadosamente la producto para asegurarse de que no haya sufrido ninguna rotura o daño durante el transporte.
- No deseche el material de empaquetado hasta que haya inspeccionado cuidadosamente la producto y la haya utilizado satisfactoriamente.
- Si hay piezas dañadas o faltantes, le suplicamos llamar al 1-800-860-4050, donde le brindaremos asistencia.

LISTA DE EMPAQUETADO

Cabezal motor
Mango delantero
Botella de lubricante para motor de dos tiempos
Manual del operador

ADVERTENCIA:

Si falta o está dañada alguna pieza, no utilice este producto sin haber reemplazado la pieza. Usar este producto con partes dañadas o faltantes puede causar lesiones serias al operador.

ADVERTENCIA:

No intente modificar este producto ni hacer accesorios no recomendados para la misma. Cualquier alteración o modificación constituye maltrato el cual puede causar una condición peligrosa, y como consecuencia posibles lesiones corporales serias.

ADVERTENCIA:

Para evitar un arranque accidental que podría causar lesiones corporales graves, siempre desconecte el cable de la bujía del motor de la bujía misma al ensamblar las piezas.

INSTALACIÓN UN ADITAMENTO DEL CABEZAL MOTOR

Vea la figura 2.

ADVERTENCIA:

Nunca una ni ajuste ningún aditamento, desmontar o mientras esté funcionando el cabezal motor. Si no apaga el motor puede causarse lesiones serias a sí mismo y a otras personas. Never operate powerhead without an attachment. Nunca opere el cabezal motor sin un accesorio.

El aditamento se conecta al cabezal motor mediante un dispositivo acoplador.

- Afloje la perilla en el acoplador del eje del cabezal de potencia y retire la tapa de suspensión del accesorio.
- Oprima el botón situado en el eje del aditamento. Alinee el botón con el hueco guía situado en el acoplador del cabezal motor, y con un movimiento de deslizamiento una los dos ejes. Gire el eje del aditamento hasta que el botón quede asegurado en el orificio de posicionamiento.

NOTA: Si el botón no brota completamente en el orificio de posicionamiento, significa que los ejes no están bien asegurados en su lugar. Gire levemente los ejes de un lado a otro hasta que el botón quede asegurado en su lugar.

- Apriete firmemente la perilla.

ARMADO

ADVERTENCIA:

Asegúrese de que esté bien apretada la perilla antes de utilizar el equipo; verifique periódicamente el apriete de la misma durante el uso para evitar lesiones corporales graves.

DESMONTAJE UN ADITAMENTO DEL CABEZAL MOTOR

Para desmontar o cambiar el aditamento:

- Afloje la perilla.
- Presione el botón y gire los ejes para desbloquear y separar.

MONTAJE DE LA ASA DE ALMACENAMIENTO

Vea la figura 3.

Hay dos formas de colgar el aditamento para guardarlo.

- Para usar la tapa de suspensión, oprima el botón y coloque la tapa en el extremo del eje del aditamento. Gire levemente

la tapa de un lado a otro hasta que quede asegurado en su lugar el botón.

- El orificio secundario del eje del aditamento puede emplearse también para colgar éste.

MONTAJE DEL MANGO DELANTERO

Vea la figura 4.

- Retire la tuerca de mariposa, arandela y perno del clip de la mango delantero.
- Instale el mango delantero sobre el lado superior del alojamiento del eje de impulsión en el área que indica la etiqueta.

NOTA: El lado abierto del mango debe quedar orientado hacia el operador.

- Coloque el perno a través del mango delantero.

NOTA: El perno de cabeza hexagonal cabe en el hueco de tal forma moldeado en un costado del mango.

- Vuelva arandela y tuerca de mariposa.
- Apriete firmemente la tuerca de mariposa.

FUNCIONAMIENTO

ADVERTENCIA:

No permita que su familiarización con este producto le vuelva descuidado. Tenga presente que un descuido de un instante es suficiente para infligir una lesión grave.

ADVERTENCIA:

Siempre póngase protección ocular con la marca de cumplimiento de la norma ANSI Z87.1 junto con protección para los oídos. Es posible que se requiera una protección para la cabeza, según el tipo de accesorio o según se describe en el Manual del operador de éste. La inobservancia de esta advertencia puede permitir que los objetos lanzados hacia los ojos y otros provocar lesiones graves.

ADVERTENCIA:

No utilice ningún aditamento o accesorio no recomendado por el fabricante de este producto. El empleo de aditamentos o accesorios no recomendados podría causar lesiones serias.

CARGA Y RECARGA DEL CABEZAL MOTOR MEZCLA DE COMBUSTIBLE

Este producto está accionado por un motor de 2 tiempos y requiere el premezclado de gasolina y lubricante para motor de dos tiempos. Mezcle previamente gasolina sin plomo y lubricante para motores de 2 tiempos en un recipiente de 1 galón de capacidad y de uso aprobado para gasolina.

Combustible recomendado: El motor está certificado para funcionar con gasolina sin plomo destinada para uso automotor.

Mezcle lubricante de alta calidad para motor de dos tiempos a razón de 2,6 onz. por galón americano.

No use lubricante de uso automotor ni lubricante para motores fuera de borda de 2 tiempos.

NO mezcle más producto del que pueda utilizar en un período de 30 días.

LUBRICANTE DE ALTA CALIDAD PARA MOTOR DE DOS TIEMPOS



GASOLINA

1 galón (US)
1 litro

LUBRICANTE

2.6 onzas
20 cc (20 ml)

LLENADO DEL TANQUE

- Limpie la superficie alrededor de la tapa del tanque de combustible para evitar toda contaminación.
- Afloje lentamente la tapa del tanque de combustible. Coloque la tapa en una superficie limpia.
- Vierta cuidadosamente el combustible en el tanque. Evite los derrames.
- Antes de volver a colocar la tapa del tanque de combustible, limpie e inspeccione la junta.
- Vuelva a colocar inmediatamente la tapa del tanque de combustible y apriételo con la mano. Limpie todo derrame de combustible.

NOTA: Es normal que salga humo de un motor nuevo después de usarlo por primera vez.

ADVERTENCIA:

Siempre apague el motor antes de abastecer el combustible. Nunca agregue combustible a una máquina con el motor en marcha o caliente. Aléjese por lo menos 30 pies (9 metros) del sitio de reabastecimiento de combustible antes de encender el motor. ¡No fume! La inobservancia de esta advertencia puede causar lesiones serias.

FUNCIONAMIENTO

COMBUSTIBLES OXIGENADOS

NO USE COMBUSTIBLE E85. ANULARÁ SU GARANTÍA.

NOTA: No están cubiertos en la garantía los problemas de desempeño o daños al sistema de combustible producidos por el uso de un combustible oxigenado con un contenido superior a los porcentajes de alcohol o compuesto de éter señalados abajo.

Etanol. Las gasolinas con un contenido de 10% de etanol por volumen (comunmente conocida como E10) o 15% de etanol por volumen (comunmente conocida como E15) son aceptables. La E85 no lo es.

MANEJO DE EL CABEZAL MOTOR

Vea la figura 5.

ADVERTENCIA:

Siempre coloque la unidad al lado derecho de usted. Si se utiliza la unidad colocándola en el lado izquierdo del cuerpo, el usuario expone éste a superficies calientes, lo cual puede causar lesiones por quemadura.

ADVERTENCIA:

Para evitar quemaduras causadas por tocar superficies calientes, al utilizar esta unidad nunca coloque la parte inferior de la misma arriba del nivel de la cintura.

Sujete el cabezal motor con la mano derecha en el mango trasero y coloque la mano izquierda en el mango delantero. Sujete firmemente la unidad con ambas manos durante la operación. Se recomienda sujetar el cabezal motor en una posición cómoda, con el mango trasero a la altura de la cadera.

Siempre opere el cabezal motor con la máxima aceleración. Si se acumulan residuos en el accesorio, DETENGA EL MOTOR, desconecte el cable de la bujía y quite los residuos. Cortar durante un tiempo prolongado con una aceleración parcial ocasionará que lubricante gotee del silenciador.

ADVERTENCIA:

Siempre sujete el aditamento de hilo lejos del cuerpo, manteniendo un espacio entre el cuerpo y la herramienta. Cualquier contacto del cuerpo con la armazón o el cabezal de corte de el aditamento puede producir quemaduras y/o otras lesiones serias.

CONTRAGOLPE DE LA CUCHILLA

Tenga extrema precaución al utilizar un cuchilla aditamento con esta unidad. El contragolpe de la cuchilla es la reacción que puede ocurrir cuando la hoja de corte en su movimiento giratorio toca un objeto que no puede cortar. Este contacto puede causar que la cuchilla se detenga durante un instante, y súbitamente “aviente” la unidad alejándola del objeto que tocó. Esta reacción puede ser de violencia suficiente para causar que el operador pierda el control de la unidad. El contragolpe de la cuchilla puede ocurrir sin ninguna señal previa si la cuchilla se engancha, se traba o se atasca. Esto tiene más probabilidad de ocurrir en áreas donde es difícil ver el material que está cortándose. Para mayor facilidad de corte y seguridad, corte las hierbas de derecha a izquierda con la desbrozadora. En caso de encontrar un objeto inesperado

o material leñoso, de esta manera podría reducir el contragolpe de la cuchilla.

ADVERTENCIA:

Debe tenerse un cuidado extremo para asegurarse de manejar la unidad de forma segura al utilizar cuchillas. Lea la información de seguridad para el manejo seguro de la unidad al utilizar cuchillas y consulte las reglas de seguridad e instrucciones que aparecen en el manual del accesorio.

ARRANQUE Y APAGADO

Vea las figuras 6 a 8.

Para el arranque debe colocarse la recortadora en una superficie plana y despejada.

Para arrancar con el motor frío:

- Presione lentamente 10 veces la bomba de cebado.

NOTA: Luego de la 7ª vez que oprima, se debe ver el combustible en la bomba de cebado. Si esto no sucede, continúe presionando el cebador hasta que vea combustible en la bomba.

- Coloque la palanca del anegador en la posición **FULL CHOKE** (anegación máxima).

- Oprima completamente el gatillo del acelerador y tire enérgicamente del mango del arrancador hasta que el motor intente arrancar. No tire de la cuerda del arrancador más de cuatro (4) veces.

NOTA: Mantenga completamente oprimido el gatillo con pasos restantes.

- Coloque la palanca del anegador en la posición **HALF CHOKE** (anegación media).

- Tire del mango del arrancador hasta que empiece a funcionar el motor. No tire del mango del arrancador más de seis (6) veces.


NOTA: Si el motor no arranca, vuelva a la posición del anegador y repita los siguientes pasos.

- Permita que el motor funcione 10 segundos y después ponga la palanca del anegador en la posición **RUN** (funcionamiento).

Para arrancar con el motor caliente:

- Presione lentamente 10 veces la bomba de cebado.
- Después ponga la palanca del anegador en la posición **RUN** (funcionamiento).
- Oprima completamente el gatillo del acelerador y tire del mango del arrancador hasta que empiece a funcionar el motor.

Para apagar el motor:

- Para apagar el motor, coloque el interruptor de **STOP** en la posición de apagado .

SI NECESITA ASISTENCIA PARA UTILIZAR ESTE PRODUCTO:

No devuelva este producto a la tienda donde fue adquirido. Por favor llame al Departamento de Atención al Cliente para todo problema que pueda tener.

Si necesita asistencia llame al: 1-800-860-4050

MANTENIMIENTO

ADVERTENCIA:

Al dar servicio a la unidad, sólo utilice piezas de repuesto idénticas. El empleo de piezas diferentes puede causar un peligro o dañar el producto.

ADVERTENCIA:

Siempre póngase protección ocular con la marca de cumplimiento de la norma ANSI Z87.1 junto con protección para los oídos. Es posible que se requiera una protección para la cabeza, según el tipo de accesorio o según se describe en el Manual del operador de éste. La inobservancia de esta advertencia puede permitir que los objetos lanzados hacia los ojos y otros provocar lesiones graves.

ADVERTENCIA:

Antes de inspeccionar, limpiar o dar mantenimiento a la máquina, apague el motor, espere hasta que se detengan todas las piezas en movimiento, desconecte el cable de la bujía y apártelo de la bujía. El incumplimiento de estas instrucciones puede provocar lesiones personales graves o daños materiales.

MANTENIMIENTO GENERAL

Evite el empleo de solventes al limpiar piezas de plástico. La mayoría de los plásticos son susceptibles a diferentes tipos de solventes comerciales y pueden resultar dañados. Utilice paños limpios para eliminar la suciedad, el polvo, el lubricante, la grasa, etc.

ADVERTENCIA:

No permita en ningún momento que fluidos para frenos, gasolina, productos a base de petróleo, lubricantes penetrantes, etc., lleguen a tocar las piezas de plástico. Los productos químicos pueden dañar, debilitar o destruir el plástico, lo cual puede causar lesiones serias.

A menudo, usted puede efectuar los ajustes y reparaciones descritos aquí. Para otro tipo de reparaciones, lleve la recortadora a un establecimiento de servicio autorizado.

LIMPIEZA DEL ORIFICIO DE ESCAPE Y DEL SILENCIADOR

NOTA: Dependiendo del tipo de combustible utilizado, el tipo y la cantidad de lubricante utilizado, o las condiciones de funcionamiento en particular, la abertura de escape, el silenciador y/o el parachispas pueden resultar obstruidos con depósitos de carbón. Si observa alguna pérdida de potencia en su herramienta con motor de gasolina, quizá sea necesario eliminar dichos depósitos para restaurar el rendimiento. Recomendamos enfáticamente que este servicio lo realicen únicamente los técnicos de servicio calificados.

PARACHISPAS

Es necesario limpiar o reemplazar el parachispas cada 50 horas o anualmente para asegurarse del buen funcionamiento de la unidad. Los parachispas pueden estar instalados en diferentes posiciones dependiendo del modelo del cual se trate. Comuníquese con el establecimiento de servicio más cercano para confirmar la ubicación del parachispas para su modelo específico.

AJUSTE DE LA MARCHA LENTA

Vea la figura 9.

Si el accesorio del corte avanza estando el motor en marcha lenta,

se necesita ajustar el tornillo de marcha lenta del motor. Gire el tornillo de velocidad de marcha lenta en el sentido contrario a las manecillas del reloj para reducir las RPM y que se detenga el movimiento del accesorio del corte. Si el accesorio del corte aún se mueve al estar el motor en marcha lenta, contacte a un representante de servicio autorizado para el ajuste y suspenda el uso de la misma hasta que se efectúe la reparación.

ADVERTENCIA:

El accesorio del corte nunca debe girar en marcha lenta. Gire a la izquierda el tornillo de marcha lenta para reducir dicha marcha y así detener el accesorio de corte, o comuníquese con un representante de servicio para que la ajusten, y suspenda el uso de la unidad hasta que se efectúe la reparación. Si el accesorio del corte se mueve al estar el motor en marcha lenta, pueden resultar lesiones corporales serias.

LIMPIEZA DEL FILTRO DE AIRE PANTALLA

Vea las figuras 10 y 11.

Para obtener un desempeño apropiado y una larga vida útil de la unidad, mantenga limpio el filtro de aire.

- Para retirar la tapa del filtro de aire pantalla, con el dedo pulgar empuje el pestillo hacia abajo y tire con cuidado de la tapa.
- Cepille levemente la pantalla del filtro de aire para limpiarlo.
- Para volver a colocar la tapa del filtro de aire, introduzca las orejetas de la parte inferior de la tapa en las ranuras de la base del filtro; empuje hacia arriba la tapa hasta que quede firmemente trabada en su lugar.

TAPA DEL TANQUE DE COMBUSTIBLE

ADVERTENCIA:

Revise la herramienta para ver si tiene fugas de combustible. Una tapa del tanque de combustible con fugas constituye un riesgo de incendio y debe reemplazarse inmediatamente. Si encuentra fugas, corrija el problema antes de utilizar la herramienta. De lo contrario puede producirse un incendio, con el consiguiente riesgo de lesiones serias.

La tapa del tanque de combustible contiene un filtro que no necesita mantenimiento y una válvula de retención. Un filtro de combustible obstruido puede causar un desempeño deficiente del motor. Si mejora el desempeño al aflojar la tapa del tanque de combustible, es posible que esté defectuosa la válvula de retención o quizá esté obstruido el filtro. Reemplace la tapa del tanque de combustible si es necesario.

REEMPLAZO DE LA BUJÍA

En este motor se emplea una bujía Champion RCJ-6Y o NGK BPMR7A con una separación interelectrónica de 0,63 mm (0.025 pulg.). Utilice un repuesto idéntico y cámbielo anualmente.

ALMACENAMIENTO DE LA PRODUCTO

- Limpie todo material extraño de la producto. Almacene la unidad en un espacio bien ventilado inaccesible a los niños. Evite que la unidad entre en contacto con agentes corrosivos como las sustancias químicas para el jardín y las sales para derretir el hielo.
- Cumpla todos los reglamentos federales y municipales para el almacenamiento y manejo seguro de la gasolina.

Al almacenar 1 mes o más:

- Drene todo el combustible del tanque en un recipiente de uso aprobado para gasolina. Accione el motor hasta que se apague.

SOLUCIÓN DE PROBLEMAS

SI CON ESTAS SOLUCIONES NO SE RESUELVE EL PROBLEMA, COMUNÍQUESE CON EL CONCESIONARIO DE SERVICIO AUTORIZADO DE SU PREFERENCIA.

PROBLEMA	CAUSA POSIBLE	SOLUCIÓN
El motor no arranca	<p>No hay chispa.</p> <p>No hay combustible.</p> <p>Está ahogado el motor.</p>	<p>Limpié o reemplace la bujía, según sea necesario. Reajuste la separación interelectródica de la bujía. Consulte la sección Reemplazo de la bujía más arriba en este manual.</p> <p>Presione la bomba de cebado hasta que se llene de combustible la misma. Si no se llena la bomba, significa que está obstruido el sistema de conducción de combustible. Comuníquese con un establecimiento de servicio. Si se llena la bomba, es posible que esté ahogado el motor, prosiga con el siguiente punto.</p> <p>Coloque la palanca del anegador en la posición START (arranque). Oprima el gatillo y tire de la cuerda hasta que el motor arranque y funcione.</p> <p>NOTA: Dependiendo de la intensidad del ahogamiento, pueden requerirse numerosos tirones de la cuerda.</p>
El motor no alcanza la máxima velocidad y emite demasiado humo	<p>Mezcla de lubricante y combustible incorrecta.</p> <p>Está sucio el filtro de aire pantalla.</p> <p>Está sucia la pantalla parachispas.</p> <p>Falló la bujía.</p>	<p>Use combustible fresco y la mezcla correcta de lubricante para motor de 2 tiempos. (50:1).</p> <p>Limpié el filtro de aire pantalla. Consulte la sección Limpieza del filtro de aire pantalla previamente en este manual.</p> <p>Comuníquese con un centro de servicio autorizado.</p> <p>Limpié o reemplace la bujía, según sea necesario. Reajuste la separación interelectródica de la bujía. Consulte la sección Reemplazo de la bujía más arriba en este manual.</p>
El motor arranca, marcha y acelera pero no funciona a velocidad de marcha en vacío (ralentí)	El tornillo de marcha lenta del carburador necesita ajuste.	Gire a la derecha el tornillo de marcha lenta para aumentar la velocidad de marcha en vacío (ralentí). <i>Vea la figura 9.</i>

GARANTÍA

DECLARACIÓN DE LA GARANTÍA LIMITADA

Techtronic Industries North America, Inc. garantiza al comprador original al menudeo que este producto de la marca RYOBI® carece de defectos en los materiales y en la mano de obra, y acuerda reparar o reemplazar, a la sola discreción de Techtronic Industries North America, Inc., cualquier producto defectuoso, sin cargo alguno al comprador, dentro de los siguientes períodos de tiempo a partir de la fecha de compra.

- Tres años si los productos se emplean para uso personal, familiar o casero;
- 90 días si el producto se emplea para cualquier otro propósito, como el uso comercial o el de alquiler.

Esta garantía se otorga solamente al comprador original al menudeo, y comienza en la fecha de la compra original al menudeo.

Cualquier parte de este producto Techtronic Industries North America, Inc. que, a juicio razonable de la compañía, tenga defectos en los materiales o en la mano de obra, será reparado o reemplazado por un centro de servicio autorizado de herramientas para uso en el exterior de la marca RYOBI®, sin cargo alguno al comprador por concepto de piezas y mano de obra (Centro de Servicio Autorizado Ryobi).

El producto, incluida toda pieza defectuosa, debe enviarse a un centro de servicio autorizado Ryobi dentro del período de la garantía. El gasto de enviar el producto al centro de servicio para cualquier trabajo cubierto por la garantía, así como el gasto de devolverlo al propietario después de la reparación, correrán por cuenta del propietario. La responsabilidad de Techtronic Industries North America, Inc. con respecto a todo reclamo se limita a las reparaciones o reemplazo del producto, y ningún reclamo de incumplimiento de la garantía será causante de la cancelación o rescisión del contrato de venta de ninguna herramienta de uso en el exterior de la marca RYOBI®. En el establecimiento se requerirá el recibo de compra para respaldar cualquier reclamo al amparo de la garantía. Todo trabajo cubierto en la garantía debe ser realizado por un concesionario de servicio autorizado.

Esta garantía se limita a noventa (90) días a partir de la fecha original de la compra de cualquier herramienta de uso en el exterior de la marca RYOBI® empleada para propósitos comerciales o de alquiler, o cualquier otro propósito generador de ingresos.

Esta garantía no cubre ningún producto que haya sido sujeto a un uso indebido, maltrato, negligencia o accidente, o que haya sido utilizado de cualquier forma contraria a las instrucciones de manejo especificadas en el manual del operador del producto. Esta garantía no aplica a ningún daño en el producto que resulte de un mantenimiento indebido ni a ningún producto que haya sido alterado o modificado. La garantía no cubre ninguna reparación necesaria por el uso normal ni por el uso de piezas o accesorios que sean incompatibles con la herramienta para uso exterior de la marca RYOBI®, o afecten de forma desfavorable su funcionamiento, desempeño o durabilidad.

Además, esta garantía no cubre:

A. Afinación – Bujías, carburador, ajustes del carburador, encendido, filtros

B. Artículos sujetos a desgaste – Perillas de tope, carretes exteriores, hilos de corte, carretes interiores, poleas del arrancador, cuerdas del arrancador, correas de transmisión, aspas, arandelas de fieltro y pasadores de enganche, hojas de triturar, ventiladores de sopladoras, tubos de sopladoras y de aspiradoras, sacos y correas de aspiradoras, barras guía y cadenas de sierras

Techtronic Industries North America, Inc. se reserva el derecho a cambiar o mejorar el diseño de cualquier herramienta para uso en el exterior de la marca RYOBI® sin asumir ninguna obligación de modificar ningún producto fabricado previamente.

TODAS LAS GARANTÍAS IMPLÍCITAS ESTÁN LIMITADAS EN DURACIÓN SEGÚN EL PERÍODO DE GARANTÍA DECLARADA. POR CONSIGUIENTE, CUALQUIER GARANTÍA IMPLÍCITA, INCLUSO LAS DE COMERCIABILIDAD, IDONEIDAD PARA UN PROPÓSITO EN PARTICULAR, O DE CUALQUIER TIPO, PIERDEN TOTALMENTE SU VALIDEZ DESPUÉS DEL VENCIMIENTO DEL PERÍODO DE GARANTÍA CORRESPONDIENTE DE TRES AÑOS, UN AÑO O NOVENTA DÍAS. DE CONFORMIDAD CON ESTA GARANTÍA, LA OBLIGACIÓN DE TECHTRONIC INDUSTRIES NORTH AMERICA, INC. SE LIMITA ESTRICTA Y EXCLUSIVAMENTE A LA REPARACIÓN O REPLAZO DE LAS PIEZAS DEFECTUOSAS, Y TECHTRONIC INDUSTRIES NORTH AMERICA, INC. NO ASUME NINGUNA OTRA OBLIGACIÓN, NI AUTORIZA A NADIE ASUMIRLA A NOMBRE DE DICHA COMPAÑÍA. ALGUNOS ESTADOS NO PERMITEN LIMITACIONES EN CUANTO A LA DURACIÓN DE UNA GARANTÍA IMPLÍCITA, POR LO CUAL ES POSIBLE QUE LA LIMITACIÓN ANTERIOR NO SE APLIQUE EN EL CASO DE USTED. TECHTRONIC INDUSTRIES NORTH AMERICA, INC. NO ASUME NINGUNA RESPONSABILIDAD POR DAÑOS DIRECTOS, INDIRECTOS O DE NINGÚN OTRO TIPO, COMO EL GASTO DE ENVIAR EL PRODUCTO A UN CENTRO DE SERVICIO AUTORIZADO RYOBI Y EL GASTO DE ENVIARLO DE ALLÍ AL PROPIETARIO, Y EL TIEMPO DE VIAJE DEL MECÁNICO, CARGOS TELEFÓNICOS O TELEGRÁFICOS, ALQUILER DE UN PRODUCTO SUSTITUTO DURANTE EL TIEMPO DE REALIZACIÓN DEL SERVICIO DE LA GARANTÍA, VIAJES, PÉRDIDA O DAÑOS A OBJETOS DE PROPIEDAD PERSONAL, PÉRDIDA DE INGRESOS, PÉRDIDA DEL USO DEL PRODUCTO, PÉRDIDA DE TIEMPO O INCONVENIENTES. EN ALGUNOS ESTADOS NO SE PERMITE LA EXCLUSIÓN O LIMITACIÓN DE DAÑOS DIRECTOS O INDIRECTOS, POR LO CUAL ES POSIBLE QUE LA LIMITACIÓN O EXCLUSIÓN DESCRITA ARRIBA NO SE APLIQUE EN SU CASO.

Esta garantía le confiere derechos legales específicos, y es posible que usted goce de otros derechos, los cuales pueden variar de estado a estado.

Esta garantía se aplica a todas las herramientas para uso en el exterior de la marca RYOBI® fabricadas por Techtronic Industries North America, Inc. y vendidos en Estados Unidos y Canadá.

Para encontrar el centro de servicio autorizado Ryobi más cercano a usted, llame al 1-800-860-4050.

GARANTÍA

LA SIGUIENTE DECLARACIÓN DE LA OFICINA DE RECURSOS ATMOSFÉRICOS DE CALIFORNIA (CARB) SE APLICA SÓLO A LOS MODELOS OBLIGADOS A CUMPLIR CON LOS REQUISITOS DE DICHO ORGANISMO.

DECLARACIÓN DE GARANTÍA LIMITADA DE TECHTRONIC INDUSTRIES NORTH AMERICA, INC. Y REGULACIONES FEDERALES Y DEL ESTADO DE CALIFORNIA EN RELACIÓN CON LOS SISTEMAS DE CONTROL DE EMISIONES DE MOTORES NO VEHICULARES Y DE MOTORES PEQUEÑOS PARA USO FUERA DE CARRETERAS DERECHOS Y OBLIGACIONES DEL CONSUMIDOR SEGÚN LA GARANTÍA

La Dirección de Protección Ambiental (EPA) de EE.UU., la Oficina de Recursos Atmosféricos de California (CARB) y Techtronic Industries North America, Inc. tienen el placer de explicar la Garantía del Sistema de Control de Emisiones de su motor no vehicular o motor pequeño para uso fuera de carreteras modelo 2010. En California, los equipos nuevos que usen motores pequeños para uso fuera de carreteras deben diseñarse, fabricarse y equiparse de manera que cumplan con las rigurosas normas estatales contra la contaminación del aire. En otros estados, los motores nuevos no vehiculares fabricados en el año 2000 y en años posteriores deben estar diseñados, fabricados y equipados, al momento de la venta, para cumplir las normas de la EPA de EE.UU. para motores pequeños para uso fuera de carreteras. El motor no vehicular debe carecer de defectos en los materiales y en la mano de obra que puedan causar el incumplimiento de las normas de la EPA de EE.UU. durante los primeros tres años de uso del motor a partir de la fecha de venta al comprador final. Techtronic Industries North America, Inc. debe garantizar el sistema de control de emisiones de su motor no vehicular o motor pequeño para uso fuera de carreteras por el período señalado arriba, siempre y cuando dicho motor no haya sido sujeto a uso indebido, negligencia o mantenimiento inadecuado.

Es posible que el sistema de control de emisiones incluya piezas como el carburador o el sistema de inyección de combustible, el sistema de encendido, convertidores catalíticos, tanques de combustible, válvulas, filtros, abrazaderas, conectores y otros componentes relacionados. También puede incluir mangueras, correas y conectores, además de otros ensamblajes relacionados con el control de emisiones.

Donde exista una condición amparable en la garantía, Techtronic Industries North America, Inc. reparará su motor no vehicular o motor pequeño para uso fuera de carreteras sin ningún cargo a usted, incluyendo el diagnóstico, las piezas de repuesto y la mano de obra si el trabajo se efectúa en un centro de servicio autorizado de productos para uso en el exterior de la marca RYOBI®.

COBERTURA DE LA GARANTÍA DEL FABRICANTE:

El sistema de control de emisiones de este producto está garantizado por tres años. Si está defectuosa cualquier pieza del motor relacionada con el control de emisiones, Techtronic Industries North America, Inc. la reparará o la reemplazará, sin cargo al consumidor.

RESPONSABILIDADES DEL PROPIETARIO EN RELACIÓN CON LA GARANTÍA

(a) Como propietario del motor no vehicular o motor pequeño para uso fuera de carreteras, usted es responsable de la realización del mantenimiento necesario indicado en el manual del operador. Techtronic Industries North America, Inc. le recomienda conservar todos los recibos de mantenimiento de su motor no vehicular o motor pequeño para uso fuera de carreteras; no obstante, Techtronic Industries North America, Inc. no puede negar la cobertura de la garantía únicamente por la carencia de recibos o por no asegurarse el propietario de la realización de todo el mantenimiento programado. Se pueden usar piezas de repuesto o servicios equivalentes en rendimiento y durabilidad en las tareas de mantenimiento o reparación no amparadas por la garantía, sin que se reduzcan las obligaciones de Techtronic Industries North America, Inc. amparadas por esta garantía.

(b) Sin embargo, como propietario de un motor no vehicular o motor pequeño para uso fuera de carreteras, usted debe saber que Techtronic Industries North America, Inc. puede negarle la cobertura de la garantía si dicho motor o una parte del mismo ha fallado debido a uso indebido, negligencia, mantenimiento inadecuado o modificaciones no autorizadas.

(c) Usted es responsable de presentar su motor no vehicular o motor pequeño para uso fuera de carreteras en un establecimiento de servicio autorizado tan pronto como surja el problema. Las reparaciones amparadas por la garantía deben realizarse en un plazo razonable menor de 30 días.

Si tiene alguna pregunta con respecto a sus derechos y responsabilidades en relación con la garantía, le recomendamos comunicarse con un representante del departamento de servicio al consumidor de Techtronic Industries North America, Inc. llamando al 1-800-860-4050.

REQUISITOS DE COBERTURA DE DEFECTOS ESTABLECIDOS EN LA GARANTÍA:

(a) El período de garantía se inicia el día en que el motor o equipo es entregado a un comprador final.

(b) Cobertura de Garantía General por Emisiones. Techtronic Industries North America, Inc. garantiza al comprador final y a cada uno de los compradores subsiguientes que su motor no vehicular o motor para uso fuera de carreteras está diseñado, fabricado y equipado, al momento de la venta, para cumplir todas las normas correspondientes adoptadas por la Oficina de Recursos Atmosféricos de California (CARB) o la Dirección de Protección Ambiental (EPA) de EE.UU.; que carece de defectos en los materiales y en la mano de obra que puedan causar el incumplimiento de las normas correspondientes por parte del motor durante un período de tres años a partir de la fecha de compra del motor no vehicular o motor pequeño para uso fuera de carreteras por el comprador inicial.

(c) La garantía sobre las piezas relacionadas con el control de emisiones se interpretará como sigue: Toda pieza garantizada cuyo cambio no esté programado según lo requerido en el Programa de mantenimiento para el control de emisiones y lista de piezas con garantía, incluido a continuación, está garantizada por tres años. Si alguna de dichas piezas (incluida cualquier pieza para la que se programen únicamente inspecciones regulares) falla durante el período de cobertura de la garantía, será reparada o reemplazada sin cargo en cualquier Centro de Servicio Autorizado de RYOBI®. Cualquier pieza reparada o reemplazada en virtud de la garantía quedará garantizada por el resto del período de la garantía. Una declaración que indique "reparar o reemplazar según sea necesario" no reducirá el período de cobertura de la garantía. Toda pieza garantizada cuyo cambio esté programado según lo requerido en

el Programa de mantenimiento para el control de emisiones y lista de piezas con garantía está garantizada por el período previo al momento del primer cambio programado para dicha pieza. Toda pieza reparada o reemplazada en virtud de la garantía queda garantizada por el resto del período previo al momento del primer cambio programado, y será reparada o reemplazada en cualquier Centro de Servicio Autorizado de RYOBI® sin cargo hasta que llegue el momento de dicho cambio.

Techtronic Industries North America, Inc. reparará todo defecto amparado por la garantía en cualquier Centro de Servicio Autorizado de RYOBI®, incluido cualquier centro de distribución autorizado a realizar el servicio de los motores objeto de la presente. Todo trabajo de diagnóstico que se realice en un Centro de Servicio Autorizado de RYOBI® será sin cargo para el propietario si mediante dicho trabajo se determina que una pieza garantizada está defectuosa. Se pueden utilizar piezas de repuesto aprobadas por el fabricante, o equivalentes, para cualquier mantenimiento o reparación amparado por la garantía en las piezas relacionadas con el control de emisiones, y deben proporcionarse sin ningún cargo para el propietario si dichas piezas aún están protegidas por la garantía. Techtronic Industries North America, Inc. es responsable de daños a otros componentes del motor causados por la falla de una pieza garantizada cuya garantía aún esté vigente.

No está permitido utilizar piezas agregadas o modificadas que no estén exentas por la Oficina de Recursos Atmosféricos de California. El uso de cualquier pieza agregada o modificada que no esté exenta constituirá causal para rechazar un reclamo en virtud de la garantía. Techtronic Industries North America, Inc. no será responsable de garantizar fallas de piezas garantizadas causadas por el uso de una pieza agregada o modificada que no esté exenta.

La Lista de Piezas con Garantía de Emisiones de la Oficina de Recursos Atmosféricos de California define específicamente las piezas garantizadas relacionadas con el control de emisiones. (Las normas de la EPA no incluyen una lista de piezas, pero la EPA considera que las piezas garantizadas y relacionadas con el control de emisiones incluyen todas las piezas que se indican a continuación). Techtronic Industries North America, Inc. proporcionará cualquier documento que describa sus procedimientos o políticas de garantía dentro de los cinco días de haber sido requerido por la Oficina de Recursos Atmosféricos de California.

LISTA DE PIEZAS PARA EL CONTROL DE EMISIONES

Las piezas para el control de emisiones varían de un producto a otro. Su garantía del sistema de control de emisiones se aplica a cualquiera de los siguientes componentes que pueda estar incluido en su producto:

- (1) Sistema de administración de combustible
 - (i) Carburador y piezas internas (y/o regulador de presión o sistema de inyección de combustible).
 - (ii) Sistema de retroalimentación y control de la mezcla de aire y combustible.
 - (iii) Sistema de enriquecimiento de la mezcla para arranque en frío.
 - (iv) Tanque de combustible.
- (2) Sistema de inducción de aire
 - (i) Sistema con toma de aire caliente controlada.
 - (ii) Múltiple de admisión.
 - (iii) Filtro de aire.
- (3) Sistema de encendido
 - (i) Bujías.
 - (ii) Sistema de ignición magnético o electrónico.
 - (iii) Sistema de avance/retardo de chispa.
- (4) Sistema de recirculación de gases de escape (Exhaust Gas Recirculation, EGR)
 - (i) Cuerpo de válvula y separador del carburador del EGR, si corresponde.
 - (ii) Sistema de retroalimentación de régimen y control del EGR.
- (5) Sistema de inyección de aire
 - (i) Bomba de aire o válvula de impulsos.
 - (ii) Válvulas que afecten la distribución del flujo.
 - (iii) Múltiple de distribución.
- (6) Catalizador o sistema de reactor térmico
 - (i) Convertidor catalítico.
 - (ii) Reactor térmico.
 - (iii) Múltiple de escape.
- (7) Controles de partículas
 - (i) Trampas, filtros, precipitadores y cualquier otro dispositivo utilizado para captar emisiones de partículas.
- (8) Elementos varios utilizados en los sistemas antes mencionados
 - (i) Controles electrónicos.
 - (ii) Válvulas e interruptores sensibles al vacío, la temperatura y el tiempo.
 - (iii) Mangueras, correas, conectores y conjuntos.

Con cada nuevo motor, Techtronic Industries North America, Inc. proveerá instrucciones escritas para su mantenimiento y uso por parte del propietario.

El período de cumplimiento con los reglamentos de control de emisiones señalado en la etiqueta de cumplimiento de dichos reglamentos indica el número de horas de funcionamiento para las cuales se ha demostrado que el motor cumple los requisitos de control de emisiones de los reglamentos federales. Categoría C=50 horas, B=125 horas y A=300 horas.

GARANTÍA

ESTE PRODUCTO SE FABRICÓ CON UN SILENCIADOR CATALÍTICO

¡Felicidades! Acaba de realizar una inversión para proteger el medio ambiente. A fin de conservar el nivel de emisiones original de este producto, le suplicamos consultar el apartado sobre mantenimiento que aparece abajo.

PROGRAMA DE MANTENIMIENTO PARA EL CONTROL DE EMISIONES Y LISTA DE PIEZAS GARANTIZADAS

Piezas para el control de emisiones	Inspeccionar cada vez antes de usar la unidad	Limpiar cada 5 horas de uso	Reemplazar cada 25 horas de uso o cada año	Limpiar cada 25 horas de uso o cada año	Reemplácelo cada 125 Horas
-------------------------------------	---	-----------------------------	--	---	----------------------------

CONJUNTO DE SILENCIADOR CATALÍTICOX

INCLUYE:

FILTRO PANTALLA.....X

PANTALLA PARACHISPASX

CONJUNTO DEL CARBURADOR

INCLUYE:

REPRESA TÉRMICA.....X

JUNTAS.....X

CONJUNTO DEL TANQUE DE COMBUSTIBLE

INCLUYE:

CONDUCTOS DE COMBUSTIBLEX

TAPA DEL TANQUE DE COMBUSTIBLE.....X

FILTRO DE COMBUSTIBLEX

CONJUNTO DEL ENCENDIDO

INCLUYE:

BUJÍA.....X

TODAS LAS PIEZAS RELACIONADAS CON LAS EMISIONES ESTÁN GARANTIZADAS POR DOS AÑOS O POR EL PERÍODO DE TIEMPO PREVIO AL MOMENTO DEL PRIMER CAMBIO PROGRAMADO DE LAS PIEZAS, LO QUE SUCEDA PRIMERO.



LLÁMENOS PRIMERO

Si tiene preguntas sobre el funcionamiento o el mantenimiento este producto, llame al teléfono de atención al consumidor de Ryobi®.

La recortadora ha sido probada enteramente antes de embarcarse para asegurar la satisfacción del consumidor.



OPERATOR'S MANUAL
MANUEL D'UTILISATION / MANUAL DEL OPERADOR
26cc POWER HEAD
BLOC-MOTEUR DE 26 cc / CABEZAL MOTOR 26 cc
RY28000
(ALL VERSIONS / TOUTES LES VERSIONS / TODAS LAS VERSIONES)

⚠ WARNING:
 The engine exhaust from this product contains chemicals known to the State of California to cause cancer, birth defects, or other reproductive harm.

CALIFORNIA PROPOSITION 65

⚠ AVERTISSEMENT :
 Les gaz d'échappement de ce produit contiennent des produits chimiques identifiés par l'état de Californie comme causes de cancer, de malformations congénitales et d'autres troubles de l'appareil reproducteur.

PROPOSITION 65 DE L'ÉTAT DE CALIFORNIE

⚠ ADVERTENCIA:
 Las emanaciones provenientes del escape del motor de este producto contienen sustancias químicas reconocidas por el estado de California como causantes de cáncer, defectos congénitos y otras afecciones del aparato reproductor.

CALIFORNIA - PROPUESTA DE LEY NÚM. 65

Ryobi® is a registered trademark of Ryobi Limited used under license.
 Ryobi® est une marque déposée de Ryobi Limited utilisée sous licence.
 Ryobi® es una marca comercial registrada de Ryobi Limited y es empleada mediante autorización.

- **PARTS AND SERVICE**
 Prior to requesting service or purchasing replacement parts, please obtain your model and serial number from the product data plate.
- **MODEL NO. RY28000 SERIAL NO. _____**
- **HOW TO OBTAIN REPLACEMENT PARTS:**
 Replacement parts can be purchased online at www.ryobitools.com or by calling 1-800-860-4050. Replacement parts can also be obtained at one of our Authorized Service Centers.
- **HOW TO LOCATE AN AUTHORIZED SERVICE CENTER:**
 Authorized Service Centers can be located online at www.ryobitools.com or by calling 1-800-860-4050.
- **HOW TO OBTAIN CUSTOMER OR TECHNICAL SUPPORT:**
 To obtain Customer or Technical Support please contact us at 1-800-860-4050.

• • • • •

- **PIÈCES ET SERVICE**
 Avant de faire la demande de service ou l'achat de pièces de remplacement, veuillez obtenir le numéro de série du modèle à partir de la plaque de données du produit.
- **NUMÉRO DE MODÈLE RY28000 NUMÉRO DE SÉRIE _____**
- **COMMENT OBTENIR LES PIÈCES DE REMPLACEMENT :**
 Les pièces de remplacement peuvent être achetées en ligne sur le site www.ryobitools.com ou par téléphone au 1-800-860-4050. Les pièces de remplacement peuvent être obtenues à un de nos centres de service autorisés.
- **COMMENT TROUVER UN CENTRE DE SERVICE AUTORISÉ :**
 Les centres de service autorisés peuvent être localisés en ligne au www.ryobitools.com ou en téléphonant au 1-800-860-4050.
- **COMMENT OBTENIR DE L'AIDE EN CONTACTANT LE SERVICE À LA CLIENTÈLE :**
 Pour contacter le service à la clientèle pour une question technique ou pour tout autre renseignement, veuillez nous téléphoner au 1-800-860-4050.

• • • • •

- **PIEZAS DE REPUESTO Y SERVICIO**
 Antes de solicitar servicio técnico o comprar piezas de repuesto, obtenga su modelo y número de serie de la placa de datos del producto.
- **NÚMERO DE MODELO RY28000 NÚMERO DE SERIE _____**
- **CÓMO OBTENER PIEZAS DE REPUESTO:**
 Las piezas de repuesto se pueden comprar en nuestro sitio en la red mundial, en la dirección www.ryobitools.com o llamando al 1-800-860-4050. Las piezas de repuesto también se pueden obtener en uno de nuestros Centros de Servicio Autorizados.
- **CÓMO LOCALIZAR UN CENTRO DE SERVICIO AUTORIZADO:**
 Puede encontrar los Centros de Servicio Autorizados visitando nuestro sitio en la red mundial, en la dirección www.ryobitools.com or by calling 1-800-860-4050.
- **CÓMO OBTENER SERVICIO O ASISTENCIA TÉCNICA AL CONSUMIDOR:**
 Para obtener Servicio o Asistencia Técnica al Consumidor, sírvase comunicarse con nosotros llamando al 1-800-860-4050.

TECHTRONIC INDUSTRIES NORTH AMERICA, INC.
 1428 Pearman Dairy Road, Anderson, SC 29625 USA
 1-800-860-4050 • www.ryobitools.com

987000-847
 8-18-10 (REV:03)

Free Manuals Download Website

<http://myh66.com>

<http://usermanuals.us>

<http://www.somanuals.com>

<http://www.4manuals.cc>

<http://www.manual-lib.com>

<http://www.404manual.com>

<http://www.luxmanual.com>

<http://aubethermostatmanual.com>

Golf course search by state

<http://golfingnear.com>

Email search by domain

<http://emailbydomain.com>

Auto manuals search

<http://auto.somanuals.com>

TV manuals search

<http://tv.somanuals.com>