



OPERATOR'S MANUAL

MANUEL D'UTILISATION

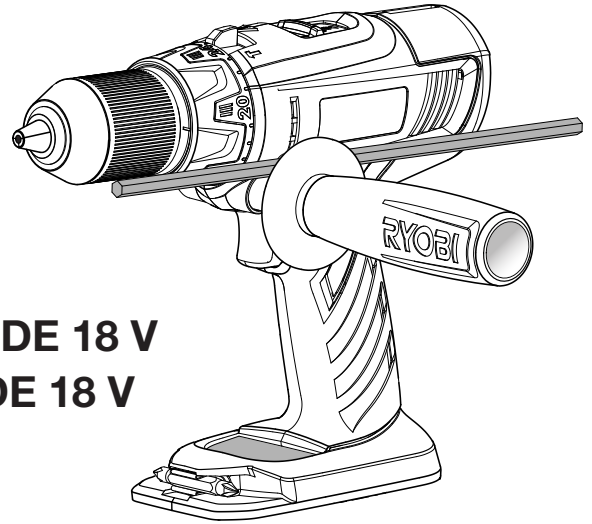
MANUAL DEL OPERADOR

COMPACT 18 VOLT HAMMER DRILL

PERCEUSE À PERCUSSION COMPACTE DE 18 V

TALADRO DE PERCUSIÓN COMPACTO DE 18 V

P212G



ACCEPTS ALL ONE+ BATTERY PACKS
COMPATIBLE AVEC TOUS LE PILES ONE+
ACEPTA TODOS LOS PAQUETES DE BATERÍAS ONE+

BATTERIES AND CHARGERS SOLD SEPARATELY
PILES ET CHARGEUR VENDUS SÉPARÉMENT
LAS BATERÍAS Y LOS CARGADORES SE VENDEN POR SEPARADO

Your hammer drill has been engineered and manufactured to our high standard for dependability, ease of operation, and operator safety. When properly cared for, it will give you years of rugged, trouble-free performance.

⚠ WARNING: To reduce the risk of injury, the user must read and understand the operator's manual before using this product.

Thank you for your purchase.

SAVE THIS MANUAL FOR FUTURE REFERENCE

Cette perceuse à percussion a été conçue et fabriquée conformément à nos strictes normes de fiabilité, simplicité d'emploi et sécurité d'utilisation. Correctement entretenue, elle vous donnera des années de fonctionnement robuste et sans problème.

⚠ AVERTISSEMENT : Pour réduire les risques de blessures, l'utilisateur doit lire et veiller à bien comprendre le manuel d'utilisation avant d'employer ce produit.

Merci de votre achat.

**CONSERVER CE MANUEL POUR
FUTURE RÉFÉRENCE**

Su taladro de percusión ha sido diseñada y fabricada de conformidad con las estrictas normas para brindar fiabilidad, facilidad de uso y seguridad para el operador. Con el debido cuidado, le brindará muchos años de sólido y eficiente funcionamiento.

⚠ ADVERTENCIA: Para reducir el riesgo de lesiones, el usuario debe leer y comprender el manual del operador antes de usar este producto.

Le agradecemos su compra.

**GUARDE ESTE MANUAL PARA
FUTURAS CONSULTAS**

TABLE OF CONTENTS

■ Introduction	2
■ Warranty	2
■ General Safety Rules.....	3-4
■ Specific Safety Rules.....	4
■ Symbols.....	5
■ Features.....	6
■ Assembly.....	7
■ Operation.....	7-11
■ Maintenance.....	12
■ Figure Numbers (Illustrations).....	13-15
■ Parts Ordering / Service	Back page

INTRODUCTION

This product has many features for making its use more pleasant and enjoyable. Safety, performance, and dependability have been given top priority in the design of this product making it easy to maintain and operate.

WARRANTY

RYOBI® POWER TOOL - LIMITED TWO YEAR WARRANTY AND 30 DAY EXCHANGE POLICY

One World Technologies, Inc., warrants its RYOBI® power tools with the following conditions:

30-DAY EXCHANGE POLICY: During the first 30 days after date of purchase, you may either request service under this warranty or you may exchange any RYOBI® power tool which does not work properly due to defective workmanship or materials by returning the power tool to the dealer from which it was purchased. To receive a replacement power tool or requested warranty service, you must present proof of purchase and return all original equipment packaged with the original product. The replacement power tool will be covered by the limited warranty for the balance of the two year period from the date of the original purchase.

WHAT THIS WARRANTY COVERS: This warranty covers all defects in workmanship or materials in your RYOBI® power tool for a period of two years from the date of purchase. With the exception of batteries, power tool accessories are warranted for ninety (90) days. Batteries are warranted for two years.

HOW TO GET SERVICE: Just return the power tool, properly packaged and postage prepaid, to an Authorized Service Center. You can obtain the location of the Service Center nearest you by contacting a service representative at One World Technologies, Inc., P.O. Box 1207, Anderson, SC 29622-1207, by calling 1-800-525-2579 or by logging on to www.ryobitools.com. When you request warranty service, you must also present proof of purchase documentation, which includes the date of purchase (for example, a bill of sale). We will repair any faulty workmanship, and either repair or replace any defective part, at our option. We will do so without any charge to you. We will complete the work in a reasonable time, but, in any case, within ninety (90) days or less.

WHAT'S NOT COVERED: This warranty applies only to the original purchaser at retail and may not be transferred. This warranty only covers defects arising under normal usage and does not cover any malfunction, failure or defects resulting from misuse, abuse, neglect, alteration, modification or repairs by other than Authorized Service Centers. One World Technologies, Inc. makes no warranties, representations or promises as to the quality or performance of its power tools other than those specifically stated in this warranty.

ADDITIONAL LIMITATIONS: Any implied warranties granted under state law, including warranties of merchantability or fitness for a particular purpose, are limited to two years from the date of purchase. One World Technologies, Inc. is not responsible for direct, indirect, or incidental damages, so the above limitations and exclusions may not apply to you. This warranty gives you specific legal rights, and you may also have other rights which vary from state to state.

GENERAL SAFETY RULES

WARNING -

Read all instructions. Failure to follow all instructions listed below may result in electric shock, fire and/or serious injury. The term “power tool” in all of the warnings listed below refers to your mains-operated (corded) power tool or battery-operated (cordless) power tool.

SAVE THESE INSTRUCTIONS

WORK AREA SAFETY

- **Keep work area clean and well lit.** Cluttered or dark areas invite accidents.
- **Do not operate power tools in explosive atmospheres, such as in the presence of flammable liquids, gases or dust.** Power tools create sparks which may ignite the dust or fumes.
- **Keep children and bystanders away while operating a power tool.** Distractions can cause you to lose control.

ELECTRICAL SAFETY

- **Power tool plugs must match the outlet. Never modify the plug in any way. Do not use any adapter plugs with earthed (grounded) power tools.** Unmodified plugs and matching outlets will reduce risk of electric shock.
- **Avoid body contact with earthed or grounded surfaces such as pipes, radiators, ranges and refrigerators.** There is an increased risk of electric shock if your body is earthed or grounded.
- **Do not expose power tools to rain or wet conditions.** Water entering a power tool will increase the risk of electric shock.
- **Do not abuse the cord. Never use the cord for carrying, pulling or unplugging the power tool. Keep cord away from heat, oil, sharp edges or moving parts.** Damaged or entangled cords increase the risk of electric shock.
- **When operating a power tool outdoors, use an extension cord suitable for outdoor use.** Use of a cord suitable for outdoor use reduces the risk of electric shock.
- **Use battery only with charger listed.** For use with 18V nickel-cadmium and 18V lithium-ion battery packs, see tool/appliance/battery pack/charger correlation supplement 987000-432.

PERSONAL SAFETY

- **Stay alert, watch what you are doing and use common sense when operating a power tool. Do not use a power tool while you are tired or under the influence of drugs, alcohol or medication.** A moment of inattention while operating power tools may result in serious personal injury.
- **Use safety equipment. Always wear eye protection.** Safety equipment such as dust mask, non-skid safety shoes, hard hat, or hearing protection used for appropriate conditions will reduce personal injuries.

- **Avoid accidental starting. Ensure the switch is in the off-position before plugging in.** Carrying power tools with your finger on the switch or plugging in power tools that have the switch on invites accidents.
- **Remove any adjusting key or wrench before turning the power tool on.** A wrench or a key left attached to a rotating part of the power tool may result in personal injury.
- **Do not overreach. Keep proper footing and balance at all times.** This enables better control of the power tool in unexpected situations.
- **Dress properly. Do not wear loose clothing or jewelry. Keep your hair, clothing and gloves away from moving parts.** Loose clothes, jewelry or long hair can be caught in moving parts.
- **If devices are provided for the connection of dust extraction and collection facilities, ensure these are connected and properly used.** Use of these devices can reduce dust-related hazards.
- **Do not wear loose clothing or jewelry. Contain long hair.** Loose clothes, jewelry, or long hair can be drawn into air vents.
- **Do not use on a ladder or unstable support.** Stable footing on a solid surface enables better control of the power tool in unexpected situations.

POWER TOOL USE AND CARE

- **Do not force the power tool. Use the correct power tool for your application.** The correct power tool will do the job better and safer at the rate for which it was designed.
- **Do not use the power tool if the switch does not turn it on and off.** Any power tool that cannot be controlled with the switch is dangerous and must be repaired.
- **Disconnect the plug from the power source and/or the battery pack from the power tool before making any adjustments, changing accessories, or storing power tools.** Such preventive safety measures reduce the risk of starting the power tool accidentally.
- **Store idle power tools out of the reach of children and do not allow persons unfamiliar with the power tool or these instructions to operate the power tool.** Power tools are dangerous in the hands of untrained users.
- **Maintain power tools. Check for misalignment or binding of moving parts, breakage of parts and any other condition that may affect the power tool's operation. If damaged, have the power tool repaired before use.** Many accidents are caused by poorly maintained power tools.
- **Keep cutting tools sharp and clean.** Properly maintained cutting tools with sharp cutting edges are less likely to bind and are easier to control.
- **Use the power tool, accessories and tool bits etc., in accordance with these instructions and in the manner intended for the particular type of power tool, taking into account the working conditions and the work to be performed.** Use of the power tool for operations different from those intended could result in a hazardous situation.

GENERAL SAFETY RULES

BATTERY TOOL USE AND CARE

- **Ensure the switch is in the off position before inserting battery pack.** Inserting the battery pack into power tools that have the switch on invites accidents.
- **Recharge only with the charger specified by the manufacturer.** A charger that is suitable for one type of battery pack may create a risk of fire when used with another battery pack.
- **Use power tools only with specifically designated battery packs.** Use of any other battery packs may create a risk of injury and fire.
- **When battery pack is not in use, keep it away from other metal objects like paper clips, coins, keys, nails, screws, or other small metal objects that can make a connection from one terminal to another.** Shorting the battery terminals together may cause burns or a fire.
- **Under abusive conditions, liquid may be ejected from the battery, avoid contact. If contact accidentally**

occurs, flush with water. If liquid contacts eyes, additionally seek medical help. Liquid ejected from the battery may cause irritation or burns.

SERVICE

- **Have your power tool serviced by a qualified repair person using only identical replacement parts.** This will ensure that the safety of the power tool is maintained.



WARNING!

To reduce the risk of injury, user must read instruction manual.




- **When servicing a power tool, use only identical replacement parts. Follow instructions in the Maintenance section of this manual.** Use of unauthorized parts or failure to follow Maintenance instructions may create a risk of shock or injury.

SPECIFIC SAFETY RULES






- **Wear ear protectors with impact drills.** Exposure to noise can cause hearing loss.
- **Use auxiliary handles supplied with the tool.** Loss of control can cause personal injury.
- **Hold power tools by insulated gripping surfaces when performing an operation where the cutting tool may contact hidden wiring or its own cord.** Contact with a “live” wire will make exposed metal parts of the tool “live” and shock the operator.
- **Know your power tool. Read operator’s manual carefully. Learn its applications and limitations, as well as the specific potential hazards related to this power tool.** Following this rule will reduce the risk of electric shock, fire, or serious injury.
- **Always wear eye protection with side shields marked to comply with ANSI Z87.1.** Following this rule will reduce the risk of serious personal injury.
- **Protect your lungs. Wear a face or dust mask if the operation is dusty.** Following this rule will reduce the risk of serious personal injury.
- **Protect your hearing. Wear hearing protectors during extended periods of operation.** Following this rule will reduce the risk of serious personal injury.
- **Battery tools do not have to be plugged into an electrical outlet; therefore, they are always in operating condition. Be aware of possible hazards when not using your battery tool or when changing accessories.** Following this rule will reduce the risk of electric shock, fire, or serious personal injury.
- **Do not place battery tools or their batteries near fire or heat.** This will reduce the risk of explosion and possibly injury.
- **Do not crush, drop or damage battery pack. Do not use a battery pack or charger that has been dropped or received a sharp blow.** A damaged battery is subject to explosion. Properly dispose of a dropped or damaged battery immediately.
- **Batteries can explode in the presence of a source of ignition, such as a pilot light.** To reduce the risk of serious personal injury, never use any cordless product in the presence of open flame. An exploded battery can propel debris and chemicals. If exposed, flush with water immediately.
- **Do not charge battery tool in a damp or wet location.** Following this rule will reduce the risk of electric shock.
- **For best results, your battery tool should be charged in a location where the temperature is more than 50°F but less than 100°F.** To reduce the risk of serious personal injury, do not store outside or in vehicles.
- **Under extreme usage or temperature conditions, battery leakage may occur. If liquid comes in contact with your skin, wash immediately with soap and water. If liquid gets into your eyes, flush them with clean water for at least 10 minutes, then seek immediate medical attention.** Following this rule will reduce the risk of serious personal injury.
- **Save these instructions.** Refer to them frequently and use them to instruct others who may use this tool. If you loan someone this tool, loan them these instructions also.

SYMBOLS

The following signal words and meanings are intended to explain the levels of risk associated with this product.

SYMBOL	SIGNAL	MEANING
	DANGER:	Indicates an imminently hazardous situation, which, if not avoided, will result in death or serious injury.
	WARNING:	Indicates a potentially hazardous situation, which, if not avoided, could result in death or serious injury.
	CAUTION:	Indicates a potentially hazardous situation, which, if not avoided, may result in minor or moderate injury.
	CAUTION:	(Without Safety Alert Symbol) Indicates a situation that may result in property damage.

Some of the following symbols may be used on this product. Please study them and learn their meaning. Proper interpretation of these symbols will allow you to operate the product better and safer.

SYMBOL	NAME	DESIGNATION/EXPLANATION
	Safety Alert	Indicates a potential personal injury hazard.
	Read Operator's Manual	To reduce the risk of injury, user must read and understand operator's manual before using this product.
	Eye and Hearing Protection	Always wear eye protection with side shields marked to comply with ANSI Z87.1 as well as hearing protection when operating this equipment.
	Wet Conditions Alert	Do not expose to rain or use in damp locations.
	Recycle Symbols	This product uses nickel-cadmium (Ni-Cd) and lithium-ion (Li-ion) batteries. Local, state, or federal laws may prohibit disposal of batteries in ordinary trash. Consult your local waste authority for information regarding available recycling and/or disposal options.
V	Volts	Voltage
min	Minutes	Time
==	Direct Current	Type or a characteristic of current
n_0	No Load Speed	Rotational speed, at no load
.../min	Per Minute	Revolutions, strokes, surface speed, orbits etc., per minute

FEATURES

PRODUCT SPECIFICATIONS

Chuck 1/2 in. Keyless
Motor 18 Volt DC
Switch Variable Speed
No Load Speed 0-400/0-1,500 r/min. (RPM)

Clutch 24 position
Torque 330 in.lb.
Hammer Speed 0-5,200/0-19,500 BPM*
*Blows Per Minute

KNOW YOUR HAMMER DRILL

See Figure 1, page 13.

The safe use of this product requires an understanding of the information on the tool and in this operator's manual as well as a knowledge of the project you are attempting. Before use of this product, familiarize yourself with all operating features and safety rules.

AUXILIARY HANDLE

Your drill is equipped with an auxiliary handle for ease of operation and to prevent loss of control.

BIT STORAGE

Bits provided with the drill can be placed in the storage area, located on the base of the drill.

BLOWS PER MINUTE

This tool features an impact speed of 0-5,200/0-19,500 BPM (Blows Per Minute). Blows Per Minute is the number of impacts per minute.

DEPTH STOP ROD

A depth stop rod has been supplied with this product to assist in controlling the depth of drilled holes.

DIRECTION OF ROTATION SELECTOR (FORWARD/REVERSE/CENTER LOCK)

Your drill has a direction of rotation (forward/reverse/center lock) selector located above the switch trigger for changing the direction of bit rotation. Setting the switch trigger in the **OFF** (center lock) position helps reduce the possibility of accidental starting when not in use.

KEYLESS CHUCK

The keyless chuck allows you to hand-tighten or release the drill bit in the chuck jaws.

LEVEL DRILLING

A level is located on the top of the hammer drill. It can be used to keep drill bits level during horizontal drilling operations.

MAGTRAY™

The magnetic tray conveniently stores screws or other small parts.

QUICK MODE SELECTOR

The Quick Mode Selector allows you to quickly switch from drive mode to drill mode.

TORQUE ADJUSTMENT RING

Your drill has a 24-position clutch. The torque adjustment ring can be turned to select the right amount of torque for the application.

TWO-SPEED GEAR TRAIN

The two-speed gear train is designed for drilling or driving at **LO (1)** or **HI (2)** speeds. A slide switch is located on top of the drill for selecting either **LO (1)** or **HI (2)** speed.

VARIABLE SPEED

The switch trigger delivers higher speed with increased trigger pressure and lower speed with decreased trigger pressure.

ASSEMBLY

UNPACKING

This product requires assembly.

- Carefully remove the product and any accessories from the box. Make sure that all items listed in the packing list are included.

WARNING:

Do not use this product if any parts on the Packing List are already assembled to your product when you unpack it. Parts on this list are not assembled to the product by the manufacturer and require customer installation. Use of a product that may have been improperly assembled could result in serious personal injury.

- Inspect the product carefully to make sure no breakage or damage occurred during shipping.
- Do not discard the packing material until you have carefully inspected and satisfactorily operated the product.
- If any parts are damaged or missing, please call 1-800-525-2579 for assistance.

PACKING LIST

Hammer Drill

Auxiliary Handle Assembly

Bit

Operator's Manual

AUXILIARY HANDLE ASSEMBLY

See Figure 2, page 13.

An auxiliary handle is packed with the drill for ease of operation and to help prevent loss of control. The handle can be mounted on the opposite side for left or right hand use.

- Insert handle screw into hole located above trigger switch and seat hex head into hole.
- Slide handle collar onto screw, seat hex end of collar into hex hole.

NOTE: Be sure hex hole for depth stop rod sits on top of collar.

- Slide depth stop rod into hex shaped hole on top of collar.
- Slide depth stop rod clamp into notch in collar. Clamp holds depth rod firmly in place.

NOTE: When properly installed, the teeth on the depth stop rod should be aligned with the teeth indicator on the depth stop rod clamp.

- Thread auxiliary handle onto screw and secure tightly.

NOTE: Be sure the auxiliary handle is securely tightened against the depth stop rod clamp. This secures the depth stop rod at the desired depth of cut. It also secures the auxiliary handle.

WARNING:

If any parts are damaged or missing do not operate this product until the parts are replaced. Use of this product with damaged or missing parts could result in serious personal injury.

WARNING:

Do not attempt to modify this product or create accessories not recommended for use with this product. Any such alteration or modification is misuse and could result in a hazardous condition leading to possible serious personal injury.

WARNING:

To prevent accidental starting that could cause serious personal injury, always remove the battery pack from the product when assembling parts.

OPERATION

WARNING:

Do not allow familiarity with this product to make you careless. Remember that a careless fraction of a second is sufficient to inflict serious injury.

WARNING:

Always wear eye protection with side shields marked to comply with ANSI Z87.1. Failure to do so could result in objects being thrown into your eyes resulting in possible serious injury.

WARNING:

Do not use any attachments or accessories not recommended by the manufacturer of this product. The use of attachments or accessories not recommended can result in serious personal injury.

OPERATION

APPLICATIONS

You may use this product for the purposes listed below:

- Drilling in all types of wood products (lumber, plywood, paneling, composition board, and hard board)
- Drilling in ceramics, plastics, fiberglass, and laminates
- Drilling in metals
- Driving screws
- Hammer drilling in concrete, brick, or other masonry

This product will accept Ryobi One+ 18 V lithium-ion battery packs and Ryobi One+ 18 V nickel-cadmium battery packs.

For complete charging instructions, refer to the Operator's Manuals for your Ryobi One+ battery pack and charger models.

BATTERY PROTECTION FEATURES

Ryobi lithium-ion batteries are designed with features that protect the lithium-ion cells and maximize battery life.

If the tool stops during use, release the trigger to reset and resume operation. If the tool still does not work, the battery needs to be recharged.

TO INSTALL BATTERY PACK

See Figure 3, page 13.

- Lock the switch trigger by placing the direction of rotation selector in the center position.
- Place the battery pack on the tool.
- Make sure the latches on each side of the battery pack snap into place and the battery pack is secured on the tool before beginning operation.

WARNING:

Always remove battery pack from your tool when you are assembling parts, making adjustments, cleaning, or when not in use. Removing battery pack will prevent accidental starting that could cause serious personal injury.

TO REMOVE BATTERY PACK

See Figure 3, page 13.

- Lock the switch trigger by placing the direction of rotation selector in the center position.
- Depress the latches on the side of battery pack.
- Remove the battery pack from the tool.

WARNING:

Battery tools are always in operating condition. Therefore, switch should always be locked when not in use or carrying at your side.

SWITCH TRIGGER

See Figure 4, page 13.

To turn the drill **ON**, depress the switch trigger. To turn it **OFF**, release the switch trigger.

VARIABLE SPEED

The variable speed switch trigger delivers higher speed with increased trigger pressure and lower speed with decreased trigger pressure.

NOTE: You might hear a whistling or ringing noise from the switch during use. Do not be concerned; this is a normal part of the switch function.

DIRECTION OF ROTATION SELECTOR (FORWARD/REVERSE/CENTER LOCK)

See Figure 4, page 13.

The direction of bit rotation is reversible and is controlled by a selector located above the switch trigger. With the drill held in normal operating position, the direction of rotation selector should be positioned to the left of the switch trigger for drilling. The drilling direction is reversed when the selector is to the right of the switch trigger.

Setting the switch trigger in the **OFF** (center lock) position helps reduce the possibility of accidental starting when not in use.

CAUTION:

To prevent gear damage, always allow the chuck to come to a complete stop before changing the direction of rotation.

To stop the drill, release the switch trigger and allow the chuck to come to a complete stop.

NOTE: The drill will not run unless the direction of rotation selector is pushed fully to the left or right.

Avoid running the drill at low speeds for extended periods of time. Running at low speeds under constant usage may cause the drill to become overheated. If this occurs, cool the drill by running it without a load and at full speed.

INTERNAL SPINDLE LOCK

The internal spindle lock allows the user single-handed control of chuck adjustments and bit changes. Squeezing the chuck body stops the chuck jaws from turning. For bit changes and chuck adjustments, squeeze the chuck body and turn.

KEYLESS CHUCK

See Figure 5, page 14.

The drill has a keyless chuck to tighten or release drill bits in the chuck jaws. The arrows on the chuck indicate which direction to rotate the chuck body in order to **LOCK** (tighten) or **UNLOCK** (release) the drill bit.

OPERATION

WARNING:

Do not hold the chuck body with one hand and use the power of the drill to tighten the chuck jaws on the drill bit. The chuck body could slip in your hand, or your hand could slip and come in contact with the rotating drill bit. This could cause an accident resulting in serious personal injury.

CAUTION:

Never change gears while the tool is running. Failure to obey this caution could result in serious damage to the drill.

TWO-SPEED GEAR TRAIN

See Figure 6, page 14.

The drill has a two-speed gear train designed for drilling or driving at **LO (1)** or **HI (2)** speeds. A slide switch is located on top of the drill to select either **LO (1)** or **HI (2)** speed. When using drill in the **LO (1)** speed range, speed will decrease and unit will have more power and torque. When using drill in the **HI (2)** speed range, speed will increase and unit will have less power and torque. Use **LO (1)** speed for high power and torque applications and **HI (2)** speed for fast drilling or driving applications.

NOTE: If you have difficulty changing from one gear range to the other, turn the chuck by hand until the gears engage.

QUICK MODE SELECTOR

See Figures 7 - 8, page 14.

The Quick Mode Selector allows you to quickly switch from drill mode to drive mode.




In general, drill mode should be used for drilling and other heavy duty applications. Drive mode should be used for driving screws. Hammer mode should be used for hammer drilling.

SELECTING DRIVE OR DRILL SETTING

See Figure 8, page 14.

Using the chart, select the option that best matches the type of bit, fastener, and material you will be using.

1. Choose your **APPLICATION**.
2. Choose the correct **SPEED: (1/LOW OR 2/HIGH)**
3. Choose the correct **MODE: (DRIVE, DRILL, OR HAMMER)**

1. APPLICATION	2. SPEED	3. MODE
<ul style="list-style-type: none"> • Lag screws up to 3/8 in. dia. by 1-1/2 in. long • Hole saw up to 2 in. • Spade bits up to 1-1/2 in. • Drill bits up to 1/2 in. • Drilling into metal • Concrete screws 	1/LOW	DRILL MODE (TORQUE ADJUSTMENT NOT ACTIVE) 
	2/HIGH	
<ul style="list-style-type: none"> • Deck or wood screws up to 3 in. • Self tapping screws 	1/LOW	DRIVE MODE 
	2/HIGH	
<ul style="list-style-type: none"> • Drilling into masonry and concrete. 	1/LOW	HAMMER MODE (TORQUE ADJUSTMENT NOT ACTIVE) 
	2/HIGH	

OPERATION

TORQUE ADJUSTMENT

See Figure 9, page 14.

When using the drill-driver for various driving applications, it becomes necessary to increase or decrease the torque in order to help prevent the possibility of damaging screw heads, threads, workpiece, etc. In general, torque intensity should correspond to the screw diameter. If the torque is too high or the screws too small, the screws may be damaged or broken.

The torque is adjusted by rotating the torque adjustment ring.

The torque is greater when the torque adjustment ring is set on a higher setting. The torque is less when the torque adjustment ring is set on a lower setting.

The proper setting depends on the type of material and the size of screw you are using.

BIT STORAGE

See Figure 10, page 14.

When not in use, bits provided with the drill can be placed in the storage areas located on the base of the drill.

MAGTRAY™

See Figure 11, page 14.

The magnetic tray conveniently stores screws or other small parts.

USING THE AUXILIARY HANDLE ASSEMBLY

See Figure 12, page 15.

An auxiliary handle is packed with the drill for ease of operation and to help prevent loss of control. The handle can be mounted on the opposite side for left or right hand use.

ADJUSTING THE AUXILIARY HANDLE ASSEMBLY

See Figure 12, page 15.

To adjust the auxiliary handle assembly:

- Loosen the handle assembly by turning the handle counterclockwise.
- Insert the auxiliary handle assembly in the desired operating position.
- Securely tighten by turning the auxiliary handle clockwise.

NOTE: Be sure the auxiliary handle is securely tightened against the depth stop rod clamp. This secures the depth stop rod at the desired depth of cut. It also secures the auxiliary handle.

ADJUSTING THE DEPTH STOP ROD

See Figure 13, page 15.

The depth stop rod helps control the depth of drilled holes. For convenience and ease of starting threads, the hex nut has been trapped inside the molded slot in the auxiliary handle.

To adjust the depth stop rod:

- Lock the switch trigger by placing the direction of rotation selector in the center position.
- Loosen the auxiliary handle assembly by turning the knob counterclockwise.
- Adjust the depth stop rod so that the drill bit extends beyond the end of the rod to the required drilling depth.
- Tighten the auxiliary handle assembly by turning the knob clockwise.

NOTE: When properly installed, the teeth on the depth stop rod should be aligned with the teeth indicator on the depth stop rod clamp.

INSTALLING BITS

See Figures 14 - 15, page 15.

- Lock the switch trigger by placing the direction of rotation selector in the center position.
- Open or close the chuck jaws to a point where the opening is slightly larger than the bit size you intend to use. Also, raise the front of the drill slightly to keep the bit from falling out of the chuck jaws.
- Insert the drill bit.
- Tighten the chuck jaws on the drill bit.

WARNING:

Make sure to insert the drill bit straight into the chuck jaws. Do not insert the drill bit into the chuck jaws at an angle then tighten, as shown in figure 15. This could cause the drill bit to be thrown from the drill, resulting in possible serious personal injury or damage to the chuck.

- Rotate the chuck clockwise to tighten the chuck jaws securely on the bit.

NOTE: Rotate the chuck body in the direction of the arrow marked **LOCK** to tighten the chuck jaws. Do not use a wrench to tighten or loosen the chuck jaws.

REMOVING BITS

See Figure 14, page 15.

- Lock the switch trigger by placing the direction of rotation selector in the center position.
- Rotate the chuck sleeve counterclockwise to open the chuck jaws.

NOTE: Rotate the chuck body in the direction of the arrow marked **UNLOCK** to loosen the chuck jaws. Do not use a wrench to tighten or loosen the chuck jaws.

- Remove the drill bit.

OPERATION

DRILLING

See Figure 16, page 15.

- Check the direction of rotation selector for the correct setting (forward or reverse).
- Secure the material to be drilled in a vise or with clamps to keep it from turning as the drill bit rotates.
- Hold the drill firmly and place the bit at the point to be drilled.
- Depress the switch trigger to start the drill.
- Move the drill bit into the workpiece, applying only enough pressure to keep the bit cutting. Do not force the drill or apply side pressure to elongate a hole. Let the tool do the work.

WARNING:

Be prepared for binding at bit breakthrough. When these situations occur, drill has a tendency to grab and kick opposite to the direction of rotation and could cause loss of control when breaking through material. If not prepared, this loss of control can result in possible serious injury.

- When drilling hard, smooth surfaces, use a center punch to mark the desired hole location. This will prevent the drill bit from slipping off-center as the hole is started.
- When drilling metals, use a light oil on the drill bit to keep it from overheating. The oil will prolong the life of the bit and increase the drilling action.
- If the bit jams in the workpiece or if the drill stalls, stop the tool immediately. Remove the bit from the workpiece and determine the reason for jamming.

NOTE: This drill has an electric brake. When the switch trigger is released, the chuck stops turning. When the brake is functioning properly, sparks will be visible through the vent slots on the housing. This is normal and is the action of the brake.

WOOD DRILLING

For maximum performance, use high speed steel bits for wood drilling.

- Select drilling mode.
- Begin drilling at a very low speed to prevent the bit from slipping off the starting point. Increase the speed as the drill bit bites into the material.
- When drilling through holes, place a block of wood behind the workpiece to prevent ragged or splintered edges on the back side of the hole.

METAL DRILLING

For maximum performance, use high speed steel bits for metal or steel drilling.

- Select drilling mode.
- Begin drilling at a very low speed to prevent the bit from slipping off the starting point.
- Maintain a speed and pressure which allows cutting without overheating the bit. Applying too much pressure will:
 - Overheat the drill;
 - Wear the bearings;
 - Bend or burn bits; and
 - Produce off-center or irregular-shaped holes.
- When drilling large holes in metal, start with a small bit, then finish with a larger bit. Also, lubricate the bit with oil to improve drilling action and increase bit life.

MASONRY DRILLING

For maximum performance, use carbide-tipped masonry impact bits when drilling holes in brick, tile, concrete, etc.

- Slide adjustment button on hammer drill left for hammer mode.
- Apply light pressure and medium speed for best results in brick.
- Apply additional pressure for hard materials such as concrete.
- When drilling holes in tile, practice on a scrap piece to determine the best speed and pressure. Begin drilling at a very low speed to prevent the bit from slipping off the starting point.

MAINTENANCE

WARNING:

When servicing, use only identical replacement parts. Use of any other parts may create a hazard or cause product damage.

WARNING:

Always wear eye protection with side shields marked to comply with ANSI Z87.1 during maintenance. If operation is dusty, also wear a dust mask.

GENERAL MAINTENANCE

Avoid using solvents when cleaning plastic parts. Most plastics are susceptible to damage from various types of commercial solvents and may be damaged by their use. Use clean cloths to remove dirt, dust, oil, grease, etc.

WARNING:

Do not at any time let brake fluids, gasoline, petroleum-based products, penetrating oils, etc., come in contact with plastic parts. Chemicals can damage, weaken or destroy plastic which may result in serious personal injury.

TOOL STORAGE

Always remove battery pack from tool before storing the tool.

BATTERY PACK PREPARATION FOR RECYCLING

WARNING:

Upon removal, cover the battery pack's terminals with heavy-duty adhesive tape. Do not attempt to destroy or disassemble battery pack or remove any of its components. Lithium-ion and nickel-cadmium batteries must be recycled or disposed of properly. Also, never touch both terminals with metal objects and/or body parts as short circuit may result. Keep away from children. Failure to comply with these warnings could result in fire and/or serious injury.

CHUCK REMOVAL

See Figures 17 - 19, page 15.

The chuck may be removed and replaced by a new one.

- Remove the battery pack.
- Lock the switch trigger by placing the direction of rotation selector in center position.
- Insert a 5/16 in. or larger hex key into the chuck of the drill and tighten the chuck jaws securely.
- Tap the hex key sharply with a mallet in a clockwise direction. This will loosen the screw in the chuck for easy removal.
- Open the chuck jaws and remove the hex key. Using a screwdriver, remove the chuck screw by turning it in a clockwise direction.

NOTE: The chuck screw has left hand threads.

- Insert the hex key into the chuck and tighten the chuck jaws securely. Tap sharply with a mallet in a counterclockwise direction. This will loosen the chuck on the spindle. It can now be unscrewed by hand.

TO RETIGHTEN A LOOSE CHUCK

The chuck may become loose on the spindle and develop a wobble. Also, the chuck screw may become loose, causing the chuck jaws to bind and prevent them from closing.

To tighten:

- Remove the battery pack.
- Lock the switch trigger by placing the direction of rotation selector in the center position.
- Open the chuck jaws.
- Insert the hex key into the chuck and tighten the chuck jaws securely. Tap the hex key sharply with a mallet in a clockwise direction. This will tighten the chuck on the spindle.
- Open the chuck jaws and remove the hex key.
- Tighten the chuck screw.

NOTE: FIGURES (ILLUSTRATIONS) START ON PAGE 13 AFTER FRENCH AND SPANISH LANGUAGE SECTIONS.

TABLE DES MATIÈRES

■ Introduction	2
■ Garantie	2
■ Règles de sécurité générales	3-4
■ Règles de sécurité particulières	4
■ Symboles	5
■ Caractéristiques	6
■ Assemblage	7
■ Utilisation	7-11
■ Entretien	12
■ Figure numéros (illustrations).....	13-15
■ Commande de pièces / réparation.....	Page arrière

INTRODUCTION

Ce produit offre de nombreuses fonctions destinées à rendre son utilisation plus plaisante et satisfaisante. Lors de la conception de ce produit, l'accent a été mis sur la sécurité, les performances et la fiabilité, afin d'en faire un outil facile à utiliser et à entretenir.

GARANTIE

OUTILS ÉLECTRIQUES RYOBI® – GARANTIE LIMITÉE DE DEUX ANS ET POLITIQUE D'ÉCHANGE DE 30 JOURS

One World Technologies, Inc., garantit ses outils électriques dans les conditions suivantes :

POLITIQUE D'ÉCHANGE DE 30 JOURS : En cas de défaillance due à des vices de matériaux ou de fabrication au cours des 30 jours suivant la date d'achat, l'acheteur pourra faire réparer tout outil électrique RYOBI® au titre de cette garantie ou le retourner l'établissement où il a été acheté. Pour obtenir un outil en échange ou demander la réparation en garantie, l'équipement complet devra être retourné, dans son emballage d'origine, accompagné d'une preuve d'achat. L'outil fourni en échange sera couvert par la garantie limitée pour le restant de la période de validité de deux ans à compter de la date d'achat.

CE QUI EST COUVERT PAR LA GARANTIE : Cette garantie couvre tous les vices de matériaux et de fabrication de cet outil électrique RYOBI®, pour une période de deux ans, à compter de la date d'achat. À l'exception des piles, les accessoires sont garantis pour une période de quatre-vingt-dix (90) jours. Les piles sont garanties deux ans.

RÉPARATIONS SOUS GARANTIE : Il suffit de retourner l'outil, correctement emballé, en port payé, à un centre de réparations agréé. L'adresse du centre de réparations agréé le plus proche peut être obtenue en contactant un représentant du service après-vente par courrier, à l'adresse One World Technologies, Inc., P.O. Box 1207, Anderson, SC 29622-1207, par téléphone au 1-800-525-2579 ou par courriel, à l'adresse Internet www.ryobitools.com. Lors de toute demande de réparation sous garantie, une preuve d'achat datée (par exemple un reçu de vente) doit être fournie. Nous nous engageons à réparer tous les défauts de fabrication et à réparer ou remplacer, à notre choix, toutes les pièces défectueuses. Les réparations et remplacements seront gratuits. Les réparations sous garantie seront effectuées dans un délai raisonnable, ne dépassant en aucun cas quatre-vingt-dix (90) jours.

CE QUI N'EST PAS COUVERT : La garantie ne couvre que l'acheteur au détail original et n'est pas transférable. Cette garantie ne couvre que les défauts résultant d'une utilisation normale. Elle ne couvre pas les problèmes de fonctionnement, défaillances ou autres défauts résultant d'un usage incorrect ou abusif, de la négligence, de la modification, de l'altération ou de réparations effectuées par quiconque autre qu'un centre de réparations agréé. One World Technologies, Inc. ne fait aucune autre garantie, représentation ou promesse concernant la qualité et les performances de cet outil électrique, autres que celles expressément indiquées dans le présent document.

AUTRES LIMITATIONS : Toutes les garanties implicites accordées par les lois en vigueur, y compris les garanties de valeur marchande ou d'adéquation à un usage particulier, sont limitées à une durée de deux ans, à compter de la date d'achat. One World Technologies, Inc. déclinant toute responsabilité pour les dommages directs ou indirects, les limitations et exclusions peuvent ne pas s'appliquer à chaque acheteur. Cette garantie donne au consommateur des droits spécifiques, et celui-ci peut bénéficier d'autres droits, qui varient selon les états ou provinces.

RÈGLES DE SÉCURITÉ GÉNÉRALES

AVERTISSEMENT -

Lire toutes les instructions. Le non-respect de toutes les instructions ci-dessous peut entraîner un choc électrique, un incendie et/ou des blessures graves. Le terme « outil motorisé », utilisé dans tous les avertissements ci-dessous désigne tout outil fonctionnant sur secteur (câblé) ou sur piles (sans fil).

CONSERVER CES INSTRUCTIONS

SÉCURITÉ DU LIEU DE TRAVAIL

- **Garder le lieu de travail propre et bien éclairé.** Les endroits encombrés ou sombres sont propices aux accidents.
- **Ne pas utiliser d'outils électriques dans des atmosphères explosives, par exemple en présence de liquides, gaz ou poussières inflammables.** Les outils électriques produisent des étincelles risquant d'enflammer les poussières ou vapeurs.
- **Garder les enfants et badauds à l'écart pendant l'utilisation d'un outil électrique.** Les distractions peuvent causer une perte de contrôle.

SÉCURITÉ ÉLECTRIQUE

- **Les fiches des outils électriques doivent correspondre à la prise secteur utilisée. Ne jamais modifier la fiche, de quelque façon que ce soit. Ne jamais utiliser d'adaptateurs de fiche avec des outils mis à la terre.** Les fiches et prises non modifiées réduisent le risque de choc électrique.
- **Éviter tout contact du corps avec des surfaces mises à la terre, telles que tuyaux, radiateurs, cuisinières et réfrigérateurs.** Le risque de choc électrique est accru lorsque le corps est mis à la terre.
- **Ne pas exposer les outils électriques à l'eau ou l'humidité.** La pénétration d'eau dans ces outils accroît le risque de choc électrique.
- **Ne pas maltraiter le cordon d'alimentation. Ne jamais utiliser le cordon d'alimentation pour transporter l'outil et ne jamais débrancher ce dernier en tirant sur le cordon. Garder le cordon à l'écart de la chaleur, de l'huile, des objets tranchants et des pièces en mouvement.** Un cordon endommagé ou emmêlé accroît le risque de choc électrique.
- **Pour les travaux à l'extérieur, utiliser un cordon spécialement conçu à cet effet.** Utiliser un cordon conçu pour l'usage extérieur pour réduire les risques de choc électrique.
- **Ne recharger les piles qu'avec l'appareil indiqué.** Pour utiliser l'appareil avec des piles au nickel-cadmium et au lithium-ion de 18 V, consulter le supplément de raccordement pour chargeur/outils/piles/appareil n° 987000-432.

SÉCURITÉ PERSONNELLE

- **Rester attentif, prêter attention au travail et faire preuve de bon sens lors de l'utilisation de tout outil électrique. Ne pas utiliser cet outil en état de fatigue ou sous l'influence de l'alcool, de drogues ou de médicaments.** Un moment d'inattention pendant l'utilisation d'un outil électrique peut entraîner des blessures graves.
- **Utiliser l'équipement de sécurité. Toujours porter une protection oculaire.** L'équipement de sécurité, tel qu'un

masque filtrant, de chaussures de sécurité, d'un casque ou d'une protection auditive, utilisé dans des conditions appropriées réduira le risque de blessures.

- **Éviter les démarrages accidentels. S'assurer que le commutateur est en position d'arrêt avant de brancher l'outil.** Porter un outil avec le doigt sur son commutateur ou brancher un outil dont le commutateur est en position de marche peut causer un accident.
- **Retirer les clés de réglage avant de mettre l'outil en marche.** Une clé laissée sur une pièce rotative de l'outil peut causer des blessures.
- **Ne pas travailler hors de portée. Toujours se tenir bien campé et en équilibre.** Ceci permettra de mieux contrôler l'outil en cas de situation imprévue.
- **Porter une tenue appropriée. Ne porter ni vêtements amples, ni bijoux. Garder les cheveux, les vêtements et les gants à l'écart des pièces en mouvement.** Les vêtements amples, bijoux et cheveux longs peuvent se prendre dans les pièces en mouvement.
- **Si les outils sont équipés de dispositifs de dépoussiérage, s'assurer qu'ils sont connectés et correctement utilisés.** L'usage de ces dispositifs peut réduire les dangers présentés par la poussière.
- **Ne porter ni vêtements amples, ni bijoux. Attacher ou couvrir les cheveux longs.** Les vêtements amples, bijoux et cheveux longs peuvent se prendre dans les ouïes d'aération.
- **Ne pas utiliser l'outil sur une échelle ou un support instable.** Une bonne tenue et un bon équilibre permettent de mieux contrôler l'outil en cas de situation imprévue.

UTILISATION ET ENTRETIEN DES OUTILS MOTORISÉS

- **Ne pas forcer l'outil. Utiliser l'outil approprié pour l'application.** Un outil approprié exécutera le travail mieux et de façon moins dangereuse s'il est utilisé dans les limites prévues.
- **Ne pas utiliser l'outil si le commutateur ne permet pas de le mettre en marche ou de l'arrêter.** Tout outil qui ne peut pas être contrôlé par son commutateur est dangereux et doit être réparé.
- **Débrancher l'outil et/ou retirer le bloc de piles avant d'effectuer des réglages, de changer d'accessoire ou de remiser l'outil.** Ces mesures de sécurité préventives réduisent les risques de démarrage accidentel de l'outil.
- **Ranger les outils motorisés hors de la portée des enfants et ne laisser personne n'étant pas familiarisé avec l'outil ou ces instructions utiliser l'outil.** Dans les mains de personnes n'ayant pas reçu des instructions adéquates, les outils sont dangereux.
- **Entretenir les outils motorisés. Vérifier qu'aucune pièce mobile n'est mal alignée ou bloquée, qu'aucune pièce n'est brisée et s'assurer qu'aucun autre problème ne risque d'affecter le bon fonctionnement de l'outil. En cas de dommages faire réparer l'outil avant de l'utiliser de nouveau.** Beaucoup d'accidents sont causés par des outils mal entretenus.
- **Garder les outils bien affûtés et propres.** Des outils correctement entretenus et dont les tranchants sont bien affûtés risquent moins de se bloquer et sont plus faciles à contrôler.
- **Utiliser l'outil, les accessoires et embouts, etc., conformément à ces instructions pour les applications**

RÈGLES DE SÉCURITÉ GÉNÉRALES

pour lesquelles ils sont conçus, en tenant compte des conditions et du type de travail à exécuter. L'usage d'un outil motorisé pour des applications pour lesquelles il n'est pas conçu peut être dangereux.

UTILISATION ET ENTRETIEN DE LA PILE

- **S'assurer que le commutateur est en position d'arrêt avant d'insérer le bloc de piles.** L'insertion du bloc de piles dans un outil dont le commutateur est en position de marche peut causer un accident.
- **Ne recharger qu'avec l'appareil spécifié par le fabricant.** Un chargeur approprié pour un type de pile peut créer un risque d'incendie s'il est utilisé avec un autre type de pile.
- **Utiliser exclusivement le bloc de pile spécifiquement indiqué pour l'outil.** L'usage de tout autre bloc peut créer un risque de blessures et d'incendie.
- **Lorsque le bloc de piles n'est pas en usage, le garder à l'écart d'articles tels qu'attaches trombones, pièces de monnaie, clous, vis et autres petits objets métalliques risquant d'établir le contact entre les deux bornes.** La mise en court-circuit des bornes de piles peut causer des étincelles, des brûlures ou un incendie.

- **En cas d'usage abusif, du liquide peut s'échapper des piles. Éviter tout contact avec ce liquide. En cas de contact accidentel, rincer immédiatement les parties atteintes avec de l'eau. En cas d'éclaboussure dans les yeux consulter un médecin.** Le liquide s'échappant des piles peut causer des irritations ou des brûlures.

DÉPANNAGE

- **Les réparations doivent être confiées à un technicien qualifié, utilisant exclusivement des pièces identiques à celles d'origine.** Ceci assurera le maintien de la sécurité de l'outil.



AVERTISSEMENT !

Pour réduire les risques de blessures, l'utilisateur doit lire le manuel d'utilisation.




- **Utiliser exclusivement des pièces identiques à celles d'origine pour les réparations. Se conformer aux instructions de la section Entretien de ce manuel.** L'usage de pièces non autorisées ou le non-respect des instructions peut présenter des risques de choc électrique ou de blessures.

RÈGLES DE SÉCURITÉ PARTICULIÈRES






- **Porter des protecteurs d'oreilles avec les perceuses à percussion.** L'exposition au bruit peut entraîner une perte auditive.
- **Utiliser les poignées auxiliaires fournies avec l'outil.** La perte de contrôle peut causer des blessures.
- **Lorsque l'outil est utilisé pour un travail risquant de le mettre en contact avec des fils électriques cachés ou son propre cordon d'alimentation, le tenir par les surfaces de prise isolées.** contact avec un fil sous tension, les parties métalliques exposées de l'outil seraient électrisées, exposant l'opérateur à un risque de choc électrique.
- **Apprendre à connaître l'outil. Lire attentivement le manuel d'utilisation. Apprendre les applications et les limites de l'outil, ainsi que les risques spécifiques relatifs à son utilisation.** Le respect de cette consigne réduira les risques d'incendie, de choc électrique et de blessures graves.
- **Toujours porter une protection oculaire avec écrans latéraux certifiée conforme à la norme ANSI Z87.1.** Le respect de cette consigne réduira les risques de blessures graves.
- **Protection respiratoire. Porter un masque facial ou un masque antipoussière si le travail produit de la poussière.** Le respect de cette consigne réduira les risques de blessures graves.
- **Protection auditive. Porter une protection auditive lors de l'utilisation prolongée.** Le respect de cette règle réduira les risques de blessures graves.
- **Les outils fonctionnant sur piles n'ayant pas besoin d'être branchés sur une prise secteur, ils sont toujours en état de fonctionnement. Tenir compte des dangers possibles lorsque l'outil n'est pas en usage et lors du remplacement des piles.** Le respect de cette consigne réduira les risques d'incendie, de choc électrique et de blessures graves.
- **Ne pas placer les outils électriques sans fil ou leurs piles à proximité de flammes ou d'une source de chaleur.** Ceci réduira les risques d'explosion et de blessures.
- **Ne pas écraser, faire tomber ou endommager le bloc de piles. Ne jamais utiliser un bloc de piles ou un chargeur qui est tombé, a été écrasé, a reçu un choc violent ou a été endommagé de quelque façon que ce soit.** Une pile endommagée risque d'exploser. Éliminer immédiatement toute pile endommagée, selon une méthode appropriée.
- **Les piles peuvent exploser en présence d'une source d'allumage, telle qu'une veilleuse.** Pour réduire les risques de blessures graves, ne jamais utiliser un appareil sans fil, quel qu'il soit, en présence d'une flamme vive. En explosant, une pile peut projeter des débris et des produits chimiques. En cas d'exposition, rincer immédiatement les parties atteintes avec de l'eau.
- **Ne pas recharger un outil fonctionnant sur piles dans un endroit humide ou mouillé.** Le respect de cette règle réduira les risques de choc électrique.
- **Pour un résultat optimal, les piles de l'outil doivent être rechargées dans un local où la température est de 10 à 38 °C (50 à 100°F). Ne pas ranger l'outil à l'extérieur ou dans un véhicule.**
- **Si l'outil est utilisé de façon intensive ou sous des températures extrêmes, des fuites de pile peuvent se produire. En cas de contact du liquide avec la peau, rincer immédiatement la partie atteinte avec de l'eau savonneuse. En cas d'éclaboussure dans les yeux, les rincer à l'eau fraîche pendant au moins 10 minutes, puis contacter immédiatement un médecin.** Le respect de cette règle réduira les risques de blessures graves.
- **Conserver ces instructions.** Les consulter fréquemment et les utiliser pour instruire les autres utilisateurs éventuels. Si cet outil est prêté, il doit être accompagné de ces instructions, afin d'éviter un usage incorrect et d'éventuelles blessures.

SYMBOLES

Les termes de mise en garde suivants et leur signification ont pour but d'expliquer le degré de risques associé à l'utilisation de ce produit.

SYMBOLE	SIGNAL	SIGNIFICATION
	DANGER :	Indique une situation extrêmement dangereuse qui, si elle n'est pas évitée, aura pour conséquences des blessures graves ou mortelles.
	AVERTISSEMENT :	Indique une situation potentiellement dangereuse qui, si elle n'est pas évitée, pourrait entraîner des blessures graves ou mortelles.
	ATTENTION :	Indique une situation potentiellement dangereuse qui, si elle n'est pas évitée, pourrait entraîner des blessures légères ou de gravité modérée.
	ATTENTION :	(Sans symbole d'alerte de sécurité) Indique une situation pouvant entraîner des dommages matériels.

Certains des symboles ci-dessous peuvent être utilisés sur produit. Veiller à les étudier et à apprendre leur signification. Une interprétation correcte de ces symboles permettra d'utiliser produit plus efficacement et de réduire les risques.

SYMBOLE	NOM	DÉSIGNATION / EXPLICATION
	Symbole d'alerte de sécurité	Indique un risque de blessure potentiel.
	Lire le manuel d'utilisation	Pour réduire les risques de blessures, l'utilisateur doit lire et veiller à bien comprendre le manuel d'utilisation avant d'utiliser ce produit.
	Protection oculaire et auditive	Toujours porter une protection oculaire munie d'écrans latéraux certifiée conforme à la norme ANSI Z87.1, ainsi qu'une protection auditive lors de l'utilisation de cet outil.
	Avertissement concernant l'humidité	Ne pas exposer à la pluie ou l'humidité.
	Symbole recycler	Ce produit utilise les piles de nickel-cadmium (Ni-Cd) ou lithium-ion (Li-ion). Les réglementations locales ou gouvernementales peuvent interdire de jeter les piles dans les ordures ménagères. Consulter les autorités locales compétentes pour les options de recyclage et/ou l'élimination.
V	Volts	Tension
min	Minutes	Temps
≡	Courant continu	Type ou caractéristique du courant
n_0	Vitesse à vide	Vitesse de rotation à vide
.../min	Par minute	Tours, coups, vitesse périphérique, orbites, etc., par minute

CARACTÉRISTIQUES

FICHE TECHNIQUE

Mandrin 13mm (1/2 po), sans clé
Moteur 18 V c.c.
Commutateur Vitesse variable
Vitesse à vide 0 - 400 / 0 - 1 500 r/min (RPM)

Embrayage.....24 positions
Couple 330 po-lb
Vitesse de percussion 0 à 5 200 / 0 à 19 500 cpm*
* Coups par minute

VEILLER À BIEN CONNAÎTRE VOTRE PERCEUSE À PERCUSSION

Voir la figure 1, page 13.

La sécurité d'utilisation de ce produit exige la compréhension des informations apposées sur l'outil et contenues dans ce manuel d'utilisation, ainsi que la connaissance du travail à exécuter. Avant d'utiliser ce produit, se familiariser avec toutes ses fonctions et règles de sécurité.

POIGNÉE AUXILIAIRE

Votre perceuse est équipée d'une poignée auxiliaire pour faciliter le travail et empêcher la perte du contrôle.

RANGEMENT DE FORETS

Lorsque la perceuse n'est pas en usage, les forets fournis peuvent être rangés dans le compartiment se trouvant sur la base de l'outil.

COUPS PAR MINUTE

La vitesse de chocs de cet outil est de 0-5 200/0-19 500 coups par minute (CPM). Le nombre de coups minutes est celui des chocs par minute.

TIGE DE BUTÉE DE PROFONDEUR

Une tige de butée de profondeur, fournie avec ce produit, permet de contrôler la profondeur des trous percés.

SÉLECTEUR DE SENS DE ROTATION (AVANT / ARRIÈRE / VERROUILLAGE CENTRAL)

La perceuse est équipée d'un sélecteur de sens de rotation (avant / arrière / verrouillage central) situé au-dessus de la gâchette. La gâchette peut être verrouillée en position ARRÊT (verrouillage central) pour empêcher le démarrage de l'outil lorsqu'il n'est pas utilisé.

MANDRIN SANS CLÉ

Cette perceuse est équipée d'un mandrin sans clé permettant de serrer les forets et de les libérer des mors à la main.

UTILISATION DU NIVEAU

La perceuse à percussion possède un niveau sur le dessus. Il peut être utilisé pour garder les forets de niveau pendant les opérations de perçage horizontal.

MAGTRAY™

Le plateau magnétique permet de placer les vis et les autres petites pièces.

SÉLECTEUR DE MODE RAPIDE

Le sélecteur de mode rapide permet de passer rapidement du mode de vissage au mode de perçage.

BAGUE DE RÉGLAGE DU COUPLE

Cette perceuse est équipée d'un embrayage à 24 positions. Vous pouvez tourner la bague de réglage de couple pour sélectionner le couple approprié à l'application.

TRAIN D'ENGRENAGES À DEUX VITESSES

Le train d'engrenages permet de visser et percer à deux vitesses : **BASSE (1)** ou **HAUTE (2)**. Un commutateur à glissière permet de sélectionner la vitesse **BASSE (1)** ou **HAUTE (2)**.

VITESSE VARIABLE

La pression exercée sur la gâchette permet de contrôler la vitesse.

ASSEMBLAGE

DÉBALLAGE

Ce produit nécessite un assemblage.

- Avec précaution, sortir le produit et les accessoires de la boîte. S'assurer que toutes les pièces figurant sur la liste de contrôle sont incluses.

AVERTISSEMENT :

Ne pas utiliser le produit si, en le déballant, vous constatez que des éléments figurant dans la liste de contrôle d'expédition sont déjà assemblés. Certaines pièces figurant sur cette liste n'ont pas été assemblées par le fabricant et exigent une installation. Le fait d'utiliser un produit qui a été assemblé de façon inadéquate peut entraîner des blessures.

- Examiner soigneusement le produit pour s'assurer que rien n'a été brisé ou endommagé en cours de transport.
- Ne pas jeter les matériaux d'emballage avant d'avoir soigneusement examiné le produit et avoir vérifié qu'il fonctionne correctement.
- Si des pièces manquent ou sont endommagées, appeler le 1-800-525-2579.

LISTE DE CONTRÔLE D'EXPÉDITION

Perceuse à percussion

Montage de poignée auxiliaire

Embout

Manuel d'utilisation

ENSEMBLE DE POIGNÉE AUXILIAIRE

Voir la figure 2, page 13.

Une poignée auxiliaire est ajoutée à la perceuse pour faciliter l'utilisation et éviter toute perte de contrôle. La poignée peut être installée de l'un ou l'autre des côtés de la perceuse pour être utilisée de la main gauche ou de la main droite.

- Insérer la vis de la poignée dans le trou situé au-dessus de la gâchette et asseoir la tête hexagonale dans le trou.
- Glisser le collier de la poignée sur la vis, et asseoir l'extrémité hexagonale du collier dans le trou hexagonal.

NOTE : S'assurer que le trou hexagonal servant pour la tige de butée de profondeur est positionné sur le dessus du collier.

- Glisser la tige de butée de profondeur dans le trou hexagonal situé sur le dessus du collier.
- Glisser la bride de la tige de butée de profondeur dans l'encoche du collier. La bride permet de tenir la tige de butée de profondeur fermement en place.

NOTE : Si l'installation est correcte, les dents doivent être alignées à l'indicateur de dent sur le collier de la tige de butée de profondeur.

- Visser la poignée auxiliaire sur la vis et la serrer solidement.

NOTE : S'assurer que la poignée auxiliaire est fixée solidement contre la bride de la tige de butée de profondeur. Cela permet de régler la tige de butée de profondeur à la profondeur de perçage désirée. Cela permet également de fixer la poignée auxiliaire.

AVERTISSEMENT :

Si des pièces manquent ou sont endommagées, ne pas utiliser ce produit avant qu'elles aient été remplacées. Le fait d'utiliser ce produit même s'il contient des pièces endommagées ou s'il lui manque des pièces peut entraîner des blessures graves.

AVERTISSEMENT :

Ne pas essayer de modifier ce produit ou de créer des accessoires non recommandés pour le produit. De telles altérations ou modifications sont considérées comme un usage abusif et peuvent créer des conditions dangereuses, risquant d'entraîner des blessures graves.

AVERTISSEMENT :

Pour empêcher un démarrage accidentel pouvant entraîner des blessures graves, toujours retirer le bloc de pile de le produit avant d'assembler des pièces.

UTILISATION

AVERTISSEMENT :

Ne pas laisser la familiarité avec le produit faire oublier la prudence. Ne pas oublier qu'une fraction de seconde d'inattention peut entraîner des blessures graves.

AVERTISSEMENT :

Toujours porter une protection oculaire avec écrans latéraux certifiée conforme à la norme ANSI Z87.1. Si cette précaution n'est pas prise, des objets peuvent être projetés dans les yeux et causer des lésions graves.

UTILISATION

AVERTISSEMENT :

Ne pas utiliser d'outils ou accessoires non recommandés par le fabricant pour cet outil. L'utilisation de pièces et accessoires non recommandés peut entraîner des blessures graves.

APPLICATIONS

Ce produit peut être utilisé pour les applications ci-dessous :

- Perçage de produits du bois (bois d'oeuvre, contreplaqué, lambris, aggloméré et bois dur)
- Perçage de la céramique, du plastique, de la fibre de verre et des matériaux laminés
- Perçage du métal
- Vissage
- Perçage en mode de percussion dans le béton, la brique et autres pièces de maçonnerie.

Ce produit est compatible avec les piles 18 V au lithium-ion et au nickel cadmium de Ryobi One+.

Pour prendre connaissance de l'ensemble des instructions relatives à la charge, consulter les manuels d'utilisation des blocs-piles One+ de Ryobi et des modèles de chargeur connexes.

CARACTÉRISTIQUES RELATIVES À LA PROTECTION DES PILES

Les piles au lithium ion de Ryobi sont conçues de manière à protéger les piles au lithium ion et à maximiser l'autonomie des piles.

Si l'outil s'arrête en cours d'utilisation, relâcher la gâchette pour le réenclencher et reprendre l'opération. Si l'outil ne fonctionne toujours pas, cela signifie qu'il est nécessaire de recharger la pile.

INSTALLATION DU BLOCS-PILES

Voir la figure 3, page 13.

- Mettre le sélecteur de sens de rotation en position centrale.
- Insérer le blocs-piles dans la perceuse. Aligner la saillie du bloc-piles sur la rainure du logement de la perceuse.
- S'assurer que ses deux loquets latéraux s'engagent correctement et vérifier que le bloc-piles est solidement assujéti avant d'utiliser l'outil.

AVERTISSEMENT :

Toujours retirer la pile de l'outil au moment d'assembler des pièces, d'effectuer des réglages et de procéder au nettoyage, ou lorsque l'outil n'est pas utilisé. Le fait de retirer la pile permet d'empêcher un démarrage accidentel pouvant entraîner des blessures graves.

RETRAIT DU BLOCS-PILES

Voir la figure 3, page 13.

- Mettre le sélecteur de sens de rotation en position centrale.
- Appuyer sur les deux loquets se trouvant sur les côtés du blocs-piles pour le séparer de la perceuse.
- Retirer le blocs-piles de la perceuse.

AVERTISSEMENT :

Les outils à piles sont toujours en état de fonctionnement. Il est donc nécessaire de toujours verrouiller la gâchette lorsque l'outil n'est pas en usage et pendant son transport.

GÂCHETTE

Voir la figure 4, page 13.

Pour mettre la perceuse en **MARCHE**, appuyer sur la gâchette. Pour **ARRÊTER**, relâcher la gâchette.

VITESSE VARIABLE

La pression exercée sur la gâchette permet de contrôler la vitesse de rotation.

NOTE : La gâchette peut produire un bruit de sifflement ou de grincement pendant le fonctionnement. Ne pas s'inquiéter, ce bruit fait partie du fonctionnement normal.

SÉLECTEUR DE SENS DE ROTATION (AVANT / ARRIÈRE / VERROUILLAGE CENTRAL)

Voir la figure 4, page 13.

Le sens de rotation est commandé par un sélecteur situé au-dessus de la gâchette. La perceuse étant tenue en position normale d'utilisation, le sélecteur de sens de rotation doit être tourné vers la gauche pour percer. Le sens de rotation est inversé lorsque le sélecteur est tourné vers la droite.

Mettre la gâchette en position d'**ARRÊT** (verrouillage central), pour réduire le risque de démarrage accidentel lorsque l'outil n'est pas en usage.

ATTENTION :

Pour éviter des dommages aux engrenages, toujours laisser le mandrin parvenir à l'arrêt complet avant de changer de sens de rotation.

Pour arrêter la perceuse, relâcher la gâchette et laisser le moteur parvenir à l'arrêt complet.

NOTE : La perceuse ne peut fonctionner que si le sélecteur de sens de rotation est poussé à fond vers la droite ou la gauche.

Éviter d'utiliser la perceuse à basse vitesse pendant des périodes prolongées. Ceci pourrait causer une surchauffe. Si la perceuse surchauffe, la refroidir en la laissant tourner à vide et à la vitesse maximum.

UTILISATION

VERROUILLAGE DE BROCHE INTERNE

Le verrouillage de broche interne permet à l'utilisateur de contrôler d'une seule main les réglages du mandrin et les changements de foret. Serrer le corps du mandrin pour empêcher les mors de tourner. Pour changer les forets et régler le mandrins, serrer le corps du mandrin et tourner.

MANDRIN SANS CLÉ

Voir la figure 5, page 14.

La perceuse est équipée d'un mandrin sans clé permettant de serrer les forets et embouts à la main. Les flèches gravées sur le mandrin indique dans quel sens tourner pour **LOCK** (serrer) ou **UNLOCK** (desserrer) le foret.

AVERTISSEMENT :

Ne pas tenir le corps du mandrin d'une main et utiliser la force du moteur pour serrer les mors du mandrin sur le foret ou l'embout. Le mandrin pourrait glisser de la main et celle-ci risquerait d'être heurtée par le foret en rotation. Ceci pourrait entraîner des blessures graves.

TRAIN D'ENGRENAGES À DEUX VITESSES

Voir la figure 6, page 14.

La perceuse est équipée d'un train d'engrenages permettant de visser et percer à deux vitesses : **BASSE (1)** et **HAUTE (2)**. Un commutateur à glissière, situé sur le dessus de la perceuse, permet de sélectionner la vitesse **BASSE (1)** ou **HAUTE (2)**. Lorsque la gamme **BASSE (1)** est utilisée, la vitesse est réduite et l'outil offre davantage de puissance et de couple. Lorsque la vitesse **HAUTE (2)** est utilisée, la vitesse augmente et l'outil offre moins de puissance et de couple. Utiliser la vitesse **BASSE (1)** pour les applications

exigeant beaucoup de puissance et de couple, et la vitesse **HAUTE (2)** pour visser ou percer rapidement.

NOTE : S'il est difficile de changer de gamme de vitesse, tourner le mandrin à la main, jusqu'à ce que les pignons s'engrènent.

ATTENTION :

Ne jamais changer de gamme de vitesse lorsque l'outil est en fonctionnement. Le non-respect de cette mise en garde pourrait entraîner de sérieux dommages de la perceuse.

SÉLECTEUR DE MODE RAPIDE

Voir les figures 7 et 8, page 14.

Ce sélecteur permet de passer rapidement du mode de perçage au mode de vissage.





En général, le mode de perçage doit être utilisé pour le perçage et autres travaux durs. Le mode de vissage doit être utilisé pour visser.

SÉLECTION DU MODE

Voir la figure 8, page 14.

Consulter le tableau ci-dessous pour sélectionner le réglage correspondant le mieux au type d'embout / foret, de vis et de matériau.

1. Choisir **L'APPLICATION**
2. Choisir la **VITESSE** appropriée: **(1/BASSE ou 2/HAUTE)**
3. Choisir le **MODE** approprié: **(PERÇAGE OU VISSAGE)**

1. APPLICATION	2. VITESSE	3. MODE
<ul style="list-style-type: none"> • Vis tire-fond de 9,5 mm (3/8 po) dia sur 38,1 mm (1-1/2 po) de long • Scie les trous jusqu'à 50,8 mm (2 po) • Forets plats jusqu'à 38,1 mm (1-1/2 po) maximum • Forets jusqu'à 12,7 mm (1/2 po) maximum • Perçage du métal • Vis de scellement 	1/BASSE	MODE DE PERÇAGE (RÉGLAGE DE COUPLE DÉSACTIVÉ) 
	2/HAUTE	
<ul style="list-style-type: none"> • Vis à bois jusqu'à 76,2 mm (3 po) maximum • Vis autotaraudeuses 	1/BASSE	MODE DE VISSAGE 
<ul style="list-style-type: none"> • Vis à bois jusqu'à 50,8 mm (2 po) maximum • Petites vis ou travail délicat exigeant une plus grande maîtrise 	1/BASSE	MODE DE PERCUSSION (RÉGLAGE DE COUPLE DÉSACTIVÉ) 
	2/HAUTE	
<ul style="list-style-type: none"> • Pour percer des trous dans la maçonnerie et le béton. 	1/BASSE	MODE DE PERCUSSION (RÉGLAGE DE COUPLE DÉSACTIVÉ) 
2/HAUTE		

UTILISATION

RÉGLAGE DU COUPLE

Voir la figure 9, page 14.

Selon l'application pour laquelle la perceuse-tournevis est utilisée, le couple doit être augmenté ou réduit afin d'éviter d'endommager les têtes ou le filetage des vis, la pièce de bois, etc. En général, le couple à utiliser est déterminé par le diamètre de la vis. Si le couple est trop élevé pour la taille des vis, celles-ci risquent d'être endommagées ou brisées.

Le couple s'ajuste au moyen de la bague de réglage.

Le couple est plus élevé lorsque la bague est réglée sur une valeur plus élevée. Le couple est moins élevé lorsque la bague est réglée sur une valeur plus basse.

Le réglage dépend du type de matériau et de la taille de la vis utilisée.

RANGEMENT DE FORET

Voir la figure 10, page 14.

Lorsque la perceuse n'est pas en usage, les forets fournis peuvent être rangés dans le compartiment se trouvant sur la base de l'outil.

MAGTRAY™

Voir la figure 11, page 14.

Le plateau magnétique permet de placer les vis et les autres petites pièces.

UTILISATION DE LA POIGNÉE AUXILIAIRE

Voir la figure 12, page 15.

Cette perceuse est équipée d'une poignée auxiliaire pour faciliter le travail et empêcher la perte du contrôle. La poignée peut être installée d'un côté ou de l'autre de la perceuse pour l'utilisation à main droite ou à main gauche.

RÉGLAGE DE LA POIGNÉE AUXILIAIRE

Voir la figure 12, page 15.

Pour régler la poignée auxiliaire :

- Desserrer la poignée en la tournant dans le sens inverse des aiguilles d'une montre.
- Insérer la poignée auxiliaire sur la position désirée.
- Resserrer bien la poignée en la tournant dans le sens horaire.

NOTE : S'assurer que la poignée auxiliaire est bien serrée contre le collier de la tige de butée de profondeur. Ceci maintient la tige de butée à la profondeur désirée. Permet également de sécuriser la poignée auxiliaire.

RÉGLAGE DE LA TIGE DE BUTÉE DE PROFONDEUR

Voir la figure 13, page 15.

La tige de butée de profondeur permet de contrôler la profondeur des trous percés. L'écrou hexagonal a été bloqué à l'intérieur de la fente moulée dans la poignée auxiliaire ce qui facilite le travail.

Pour régler la butée de profondeur :

- Verrouiller la gâchette en mettant le sélecteur de sens de rotation en position centrale.
- Desserrer la poignée auxiliaire en tournant le bouton vers la gauche.
- Ajuster la tige de butée de profondeur de façon à ce que le foret dépasse son extrémité de la longueur correspondant à la profondeur de perçage désirée.
- Assujettir fermement la poignée auxiliaire en tournant le bouton vers la droite.

NOTE : Si l'installation est correcte, les dents doivent être alignées à l'indicateur de dent sur le collier de la tige de butée de profondeur.

INSTALLATION DES FORETS

Voir les figures 14 et 15, page 15.

- Verrouiller la gâchette en mettant le sélecteur de sens de rotation en position centrale.
- Ouvrir les mors du foret de manière à pouvoir insérer le foret à utiliser. Relever légèrement l'avant de la perceuse pour empêcher le foret de s'échapper des mors du mandrin.
- Insérer le foret.
- Serrer les mors sur le foret.



AVERTISSEMENT :

Veiller à insérer le foret droit dans les mors du mandrin. Ne pas insérer un foret dans les mors en serrant comme illustré à la figure 15. Le foret pourrait être éjecté de la perceuse et causer des blessures graves ou endommager le mandrin.

- Tourner le mandrin vers la droite pour serrer les mors sur le foret.

NOTE : Tourner le corps du mandrin dans le sens de la flèche marquée **LOCK** pour serrer les mors. Ne pas utiliser une clé pour serrer ou desserrer les mors du mandrin.

RETRAIT DES FORETS

Voir la figure 14, page 15.

- Verrouiller la gâchette en mettant le sélecteur de sens de rotation en position centrale.
- Tourner le collet du mandrin dans le gauche pour ouvrir les mors.
- **NOTE :** Tourner le corps du mandrin dans le sens de la flèche marquée **UNLOCK** pour desserrer les mors. Ne pas utiliser une clé pour serrer ou desserrer les mors du mandrin.
- Retirer le foret.

PERÇAGE

Voir la figure 16, page 15.

- Vérifier la position du sélecteur de rotation (rotation avant ou arrière).
- Bloquer la pièce de travail dans un étau ou avec des serre-joints, pour l'empêcher de tourner avec le foret.
- Tenir la perceuse fermement et placer la pointe du foret à l'endroit à percer.
- Appuyer sur la gâchette pour mettre le foret en rotation.
- Percer en appuyant sur la perceuse juste assez pour que le foret morde dans le matériau. Ne pas forcer la perceuse ou appliquer une force latérale pour élargir un trou. Laisser l'outil effectuer le travail.

AVERTISSEMENT :

Se tenir prêt pour un blocage lorsque le foret traverse le matériau. Dans ces situations, la perceuse a tendance à être propulsée dans le sens contraire à la rotation, ce qui peut causer la perte de contrôle. Si l'opérateur n'est pas préparé, cette perte de contrôle peut entraîner des blessures graves.

- Avant de percer un matériau dur et lisse, poinçonner l'emplacement du trou. Cette précaution empêchera le foret de glisser au départ du trou.
- Lors du perçage de métaux, appliquer de l'huile légère sur le foret pour l'empêcher de surchauffer. Cette huile prolongera la vie utile du foret et facilitera le perçage.
- Si le foret se bloque dans la pièce ou si la perceuse cale, l'arrêter immédiatement. Sortir le foret de la pièce et déterminer la raison du blocage.

NOTE : Cette perceuse est équipée d'un frein électrique. Lorsque la gâchette est relâchée, le mandrin cesse de tourner. Si le frein fonctionne correctement, des étincelles sont visibles au travers des trous d'aération du corps de la perceuse. Ces étincelles, causées par le fonctionnement du frein, sont normales.

PERÇAGE DU BOIS

Pour une performance optimale, utiliser des forets en acier haute vitesse pour le perçage du bois.

- Sélectionner le mode de perçage.
- Commencer le perçage à basse vitesse pour éviter que la pointe du foret ne glisse. Augmenter la vitesse une fois que le foret a mordu dans le matériau.
- Lors du perçage de trous traversants, placer un morceau de bois derrière la pièce pour éviter l'éclatement du bord inférieur du trou.

PERÇAGE DU MÉTAL

Pour une performance optimale, utiliser des forets en acier haute vitesse pour métal ou acier.

- Sélectionner le mode de perçage standard.
- Commencer le perçage à basse vitesse pour éviter que la pointe du foret ne glisse.
- Appuyer sur la gâchette de façon à maintenir une vitesse ne causant pas la surchauffe du foret. Une pression excessive causerait :
 - La surchauffe de la perceuse ;
 - Une usure excessive des roulements ;
 - La déformation ou le brûlage du foret: et
 - Des trous décentrés ou de forme irrégulière.
- Lors du perçage de gros trous dans le métal, commencer avec un foret de petite taille avant d'élargir le trou avec un foret de plus grande taille. Lubrifier le foret avec de l'huile afin de prolonger la vie utile du foret et de faciliter le perçage.

PERÇAGE DE PIÈCES DE MAÇONNERIE

Nous recommandons d'utiliser des forets à pointe carbure et le mode de percussion pour le perçage dans des matériaux durs tels que la brique, le carrelage, le béton, etc.

- Mettre le sélecteur sur le perçage de percussion gauche en mode de percussion.
- Pour un résultat optimal dans la brique, appliquer une pression légère et utiliser une vitesse moyenne.
- Exercer une pression plus forte pour percer les matériaux durs, tels que le béton.
- Avant de percer dans la brique, pratiquer sur une chute pour déterminer la pression et la vitesse optimales. Commencer le perçage à basse vitesse pour éviter que la pointe du foret ne glisse.

ENTRETIEN

AVERTISSEMENT :

Utiliser exclusivement des pièces Ryobi d'origine pour les réparations. L'usage de toute autre pièce pourrait créer une situation dangereuse ou endommager l'outil.

AVERTISSEMENT :

Toujours porter une protection oculaire avec écrans latéraux certifiée conforme à la norme ANSI Z87.1. Si une opération dégage de la poussière, porter également un masque filtrant.

ENTRETIEN GÉNÉRAL

Éviter d'utiliser des solvants pour le nettoyage des pièces en plastique. La plupart des matières plastiques peuvent être endommagées par divers types de solvants du commerce. Utiliser un chiffon propre pour éliminer la saleté, la poussière, l'huile, la graisse, etc.

AVERTISSEMENT :

Ne jamais laisser de liquides tels que le fluide de freins, l'essence, les produits à base de pétrole, les huiles pénétrantes, etc., entrer en contact avec les pièces en plastique. Les produits chimiques peuvent endommager, affaiblir ou détruire le plastique, ce qui peut entraîner des blessures graves.

OUTILS DE RANGEMENT

Avant rangement, toujours enlever le bloc-piles de l'outil.

RETRAIT ET PRÉPARATION DU PILES POUR LE RECYCLAGE

AVERTISSEMENT :

Après avoir retiré le piles, couvrir ses bornes avec un ruban adhésif de qualité industrielle. Ne pas essayer de démonter ou détruire le piles, ni de retirer des composants quels qu'ils soient. Les piles épuisées doivent être recyclées ou éliminées selon une méthode appropriée. Ne jamais toucher les deux bornes avec des objets en métal ou une partie du corps, car cela pourrait créer un court-circuit. Garder hors de la portée des enfants. Le non-respect de ces mises en garde peut résulter en un incendie et/ou des blessures graves.

RETRAIT DU MANDRIN

Voir les figures 17 à 19, page 15.

Le mandrin peut être retiré et remplacé.

- Retirer le bloc-pile.
- Verrouiller la gâchette en mettant le sélecteur de sens de rotation en position centrale.
- Insérer une clé hexagonale de 8mm (5/16 po) ou plus grosse dans le mandrin et serrer fermement ce dernier.
- Frapper la clé vers la droite d'un coup sec avec un maillet. Ceci desserre la vis de fixation du mandrin et permet de le retirer facilement.
- Ouvrir les mors et retirer la clé hexagonale. Retirer la vis du mandrin en la tournant vers la droite avec un tournevis.

NOTE : La vis du mandrin est filetée à gauche.

- Insérer la clé hexagonale dans le mandrin et serrer fermement les mors. Frapper d'un coup sec avec un maillet (vers la gauche). Ceci desserre le mandrin sur la broche. Le mandrin peut maintenant être dévissé à la main.

SERRAGE D'UN MANDRIN DESSERRÉ

Le mandrin peut se desserrer sur la broche et se mettre à brouter. En outre, la vis du mandrin peut se desserrer et causer le blocage des mors et empêcher leur fermeture. Pour serrer :

- Retirer le bloc-pile.
- Verrouiller la gâchette en mettant le sélecteur de sens de rotation en position centrale.
- Ouvrir les mors du mandrin.
- Insérer la clé hexagonale dans le mandrin et serrer fermement les mors. Frapper la clé vers la droite d'un coup sec avec un maillet. Ceci serre le mandrin sur la broche.
- Ouvrir les mors et retirer la clé hexagonale.
- Serrer la vis du mandrin.

**FIGURES (ILLUSTRATIONS) COMMENÇANT SUR
13 DE PAGE APRÈS LA SECTION ESPAGNOL.**

ÍNDICE DE CONTENIDO

■ Introducción.....	2
■ Garantía	2
■ Reglas de seguridad generales	3-4
■ Reglas de seguridad específicas.....	4
■ Símbolos.....	5
■ Características.....	6
■ Armado	7
■ Funcionamiento	7-11
■ Mantenimiento.....	12
■ Figura numeras (ilustraciones).....	13-15
■ Pedidos de piezas / Servicio	Pág. posterior

INTRODUCCIÓN

Este producto ofrece numerosas características para hacer más agradable y placentero su uso. En el diseño de este producto se ha conferido prioridad a la seguridad, el desempeño y la fiabilidad, por lo cual se facilita su manejo y mantenimiento.

GARANTÍA

HERRAMIENTAS ELÉCTRICAS RYOBI® – GARANTÍA LIMITADA DE DOS AÑOS Y POLÍTICA DE INTERCAMBIO A LOS 30 DÍAS

One World Technologies, Inc., garantiza sus herramientas eléctricas con las siguientes condiciones:

POLÍTICA DE INTERCAMBIO A LOS 30 DÍAS: Durante los primeros 30 días a partir de la fecha de compra, usted puede solicitar servicio al amparo de esta garantía o puede intercambiar cualquier herramienta eléctrica RYOBI® que no funcione correctamente debido a defectos en los materiales o en la mano de obra, devolviéndola en el establecimiento donde la adquirió. Para recibir la herramienta eléctrica de reemplazo o el servicio de garantía solicitado, debe presentar documentación de prueba de la compra, y devolver el equipo original empaquetado con el producto original. La herramienta eléctrica de reemplazo queda cubierta por la garantía limitada por el resto del período de garantía de dos años a partir de la fecha de la compra original.

LO QUE CUBRE ESTA GARANTÍA: Esta garantía cubre todos los defectos en material y en mano de obra empleados en la herramienta eléctrica RYOBI® por un período de dos años a partir de la fecha de compra. Con excepción de las baterías, los accesorios de las herramientas eléctricas están garantizados por noventa (90) días. Las baterías están garantizadas por dos años.

FORMA DE OBTENER SERVICIO: Simplemente envíe la herramienta eléctrica debidamente empaquetada y con el flete pagado por anticipado a un centro de servicio autorizado. Puede obtener información sobre la ubicación del centro de servicio autorizado más cercano escribiendo a One World Technologies, Inc., P.O. Box 1207, Anderson, SC 29622-1207, USA, llamando al 1-800-525-2579 o dirigiéndose al sitio en Internet, www.ryobitools.com. Al solicitar servicio al amparo de la garantía, debe presentar documentación de prueba de la compra que incluya la fecha de ésta (por ejemplo un recibo de venta). Reparamos toda mano de obra deficiente del producto, y reparamos o reemplazamos cualquier pieza defectuosa, a nuestra sola discreción. Lo hacemos sin cargarle ningún costo al consumidor. Efectuamos el trabajo en un período de tiempo razonable, pero en todo caso en menos de noventa (90) días.

LO QUE NO ESTÁ CUBIERTO: Esta garantía se ofrece exclusivamente al comprador original al menudeo y no puede transferirse. Esta garantía sólo cubre defectos que aparezcan en el uso normal de la herramienta y no cubre ningún malfuncionamiento, falla o defecto producido por el uso indebido, maltrato, negligencia, alteración, modificación o reparación efectuada por terceros diferentes de los centros de servicio autorizados. One World Technologies, Inc. no ofrece ninguna garantía, declaración o promesa en relación con la calidad o el desempeño de sus herramientas eléctricas más que las señaladas específicamente en esta garantía.

LIMITACIONES ADICIONALES: Toda garantía otorgada de conformidad con las leyes estatales, incluidas las garantías de comerciabilidad o idoneidad para un uso en particular, está limitada a dos años a partir de la fecha de compra. One World Technologies, Inc. no es reponsable de daños directos, indirectos o incidentales, por lo tanto es posible que las limitaciones y exclusiones descritas arriba no se apliquen en el caso de usted. Esta garantía le confiere derechos legales específicos, y es posible que usted goce de otros derechos, los cuales pueden variar de estado a estado.

REGLAS DE SEGURIDAD GENERALES



ADVERTENCIA -

Lea todas las instrucciones. El incumplimiento de las instrucciones señaladas abajo puede causar descargas eléctricas, incendios y lesiones serias. El término "herramienta eléctrica" empleado en todos los avisos de advertencia enumerados abajo se refiere a las herramientas eléctricas de cordón (alámbricas) y de baterías (inalámbricas).

GUARDE ESTAS INSTRUCCIONES

SEGURIDAD EN EL ÁREA DE TRABAJO

- **Mantenga limpia y bien iluminada el área de trabajo.** Un área de trabajo mal despejada o mal iluminada propicia accidentes.
- **No utilice herramientas motorizadas en atmósferas explosivas, como las existentes alrededor de líquidos, gases y polvos inflamables.** Las herramientas eléctricas generan chispas que pueden encender el polvo y los vapores inflamables.
- **Mantenga alejados a los niños y circunstantes al maniobrar una herramienta eléctrica.** Toda distracción puede causar pérdida del control de la herramienta.

SEGURIDAD ELÉCTRICA

- **Las clavijas de las herramientas eléctricas deben corresponder a las tomas de corriente donde se conectan. Nunca modifique la clavija de ninguna forma. No utilice ninguna clavija adaptadora con herramientas eléctricas dotadas de contacto a tierra.** Conectando las clavijas originales en las tomas de corriente donde corresponden se disminuye el riesgo de una descarga eléctrica.
- **Evite el contacto del cuerpo con las superficies de objetos que estén haciendo tierra o estén conectados a ésta, como tuberías, radiadores, estufas y refrigeradores.** Existe un mayor riesgo de descargas eléctricas si el cuerpo está haciendo tierra.
- **No exponga las herramientas eléctricas a la lluvia ni a condiciones de humedad.** La introducción de agua en una herramienta eléctrica aumenta el riesgo de descargas eléctricas.
- **No maltrate el cordón eléctrico. Nunca utilice el cordón para trasladar, desconectar o tirar de la herramienta eléctrica. Mantenga el cordón lejos del calor, aceite, bordes afilados y piezas móviles.** Los cordones eléctricos dañados o enredados aumentan el riesgo de descargas eléctricas.
- **Al utilizar una herramienta eléctrica a la intemperie, use un cordón de extensión apropiado para el exterior.** Usando un cordón adecuado para el exterior se disminuye el riesgo de descargas eléctricas.
- **Cargue las baterías solamente con el cargador indicado.** Para utilizar con paquetes de baterías de níquel-cadmio de 18 V o de iones de litio de 18 V, consulte el folleto de la herramienta/aparato/paquete de baterías/cargador complementario 987000-432.

SEGURIDAD PERSONAL

- **Permanezca alerta, preste atención a lo que esté haciendo y aplique el sentido común al utilizar herramientas eléctricas. No utilice la herramienta eléctrica si está cansado o se encuentra bajo los efectos de alguna droga, alcohol o medicamento.** Un momento de inatención al utilizar una herramienta eléctrica puede causar lesiones corporales serias.
- **Use equipo de seguridad. Siempre póngase protección ocular.** El uso de equipo de seguridad como mascarilla para el

polvo, calzado de seguridad, casco y protección para los oídos en las circunstancias donde corresponda disminuye el riesgo de lesiones.

- **Evite un arranque accidental de la unidad. Asegúrese de que el interruptor esté en la posición de apagado antes de conectar la herramienta.** Portar las herramientas eléctricas con el dedo en el interruptor, o conectarlas con el interruptor puesto, propicia accidentes.
- **Retire toda llave o herramienta de ajuste antes de encender la herramienta eléctrica.** Toda llave o herramienta de ajuste dejada en una pieza giratoria de la herramienta eléctrica puede causar lesiones.
- **No estire el cuerpo para alcanzar mayor distancia. Mantenga una postura firme y buen equilibrio en todo momento.** De esta manera se logra un mejor control de la herramienta eléctrica en situaciones inesperadas.
- **Vístase adecuadamente. No vista ropas holgadas ni joyas. Mantenga el cabello, la ropa y los guantes alejados de las piezas móviles.** Las ropas holgadas, las joyas y el cabello largo pueden engancharse en las piezas móviles.
- **Si se suministran dispositivos para conectar mangueras de extracción y captación de polvo, asegúrese de que éstas estén bien conectadas y se usen correctamente.** La utilización de estos dispositivos puede disminuir los peligros relacionados con el polvo.
- **No vista ropas holgadas ni joyas. Recójase el cabello si está largo.** Las ropas holgadas y las joyas, así como el cabello largo, pueden resultar atraídas hacia el interior de las aberturas de ventilación.
- **No utilice la unidad al estar en una escalera o en un soporte inestable.** Una postura estable sobre una superficie sólida permite un mejor control de la herramienta eléctrica en situaciones inesperadas.

EMPLEO Y CUIDADO DE LA HERRAMIENTA ELÉCTRICA

- **No fuerce la herramienta eléctrica. Utilice la herramienta eléctrica adecuada para cada trabajo.** La herramienta eléctrica adecuada efectúa mejor y de manera más segura el trabajo, si además se maneja a la velocidad para la que está diseñada.
- **No utilice la herramienta si el interruptor no enciende o no apaga.** Cualquier herramienta eléctrica que no pueda controlarse con el interruptor es peligrosa y debe repararse.
- **Desconecte la clavija del suministro de corriente o retire el paquete de baterías de la herramienta eléctrica, según sea el caso, antes de efectuarle cualquier ajuste, cambiarle accesorios o guardarla.** Tales medidas preventivas de seguridad reducen el riesgo de poner en marcha accidentalmente la herramienta.
- **Guarde las herramientas eléctricas desocupadas fuera del alcance de los niños y no permita que las utilicen personas no familiarizadas con las mismas o con estas instrucciones.** Las herramientas eléctricas son peligrosas en manos de personas no capacitadas en el uso de las mismas.
- **Preste servicio a las herramientas eléctricas. Revise para ver si hay desalineación o atoramiento de piezas móviles, ruptura de piezas o cualquier otra condición que pueda afectar el funcionamiento de la herramienta. Si está dañada la herramienta eléctrica, permita que la reparen antes de usarla.** Numerosos accidentes son causados por herramientas eléctricas mal cuidadas.
- **Mantenga las herramientas de corte afiladas y limpias.** Las herramientas de corte bien cuidadas y con bordes bien afilados, tienen menos probabilidad de atascarse en la pieza de trabajo y son más fáciles de controlar.

REGLAS DE SEGURIDAD GENERALES

- **Utilice la herramienta eléctrica, los accesorios y brocas, hojas y cuchillas de corte, ruedas de esmeril, etc. de conformidad con estas instrucciones, y de la forma apropiada para cada una de dichas herramientas, tomando en cuenta las condiciones de trabajo y la tarea por realizar.** Si se utiliza la herramienta eléctrica para operaciones diferentes de las indicadas podría originar una situación peligrosa.

EMPLEO Y CUIDADO DE LA HERRAMIENTA DE BATERÍAS

- **Asegúrese de que el interruptor esté en la posición de apagado antes de introducir el paquete de baterías.** Introducir el paquete de baterías en una herramienta eléctrica que tenga el interruptor en encendido propicia accidentes.
- **Sólo cargue el paquete de baterías con el cargador especificado por el fabricante.** Un cargador adecuado para un tipo paquete de baterías puede significar un riesgo de incendio si se emplea con un paquete de baterías diferente.
- **Utilice las herramientas eléctricas sólo con los paquetes de baterías específicamente indicados.** El empleo de paquetes de baterías diferentes puede presentar un riesgo de incendio.
- **Cuando no esté utilizándose el paquete de baterías, manténgalo lejos de otros objetos metálicos como clips, monedas, llaves, clavos, tornillos y otros objetos metálicos pequeños que puedan establecer conexión entre ambas**

terminales. Establecer una conexión directa entre las dos terminales de las baterías puede causar quemaduras o incendios.

- **Si se maltratan las baterías, puede derramarse líquido de las mismas; evite todo contacto con éste. En caso de contacto, lávese con agua. Si el líquido llega a tocar los ojos, además busque atención médica.** El líquido de las baterías puede causar irritación y quemaduras.

SERVICIO

- **Permita que un técnico de reparación calificado preste servicio a la herramienta eléctrica, y sólo con piezas de repuesto idénticas.** De esta manera se mantiene la seguridad de la herramienta eléctrica.



¡ADVERTENCIA!

Para reducir el riesgo de lesiones, el usuario debe leer el manual de instrucciones.

- **Al dar servicio a una herramienta eléctrica, sólo utilice piezas de repuesto idénticas. Siga las instrucciones señaladas en la sección "Mantenimiento" de este manual.** El empleo de piezas no autorizadas o el incumplimiento de las instrucciones de mantenimiento puede significar un riesgo de descarga eléctrica o de lesiones.

REGLAS DE SEGURIDAD ESPECÍFICAS




- **Use protectores auditivos cuando utilice un taladro de impacto.** La exposición a ruidos puede producir pérdida de la audición.
- **Utilice los mangos auxiliares que se suministran con la herramienta.** Cualquier pérdida de control puede causar lesiones.
- **Sujete las herramientas eléctricas por las superficies aisladas de sujeción al efectuar una operación en la cual la herramienta de corte pueda entrar en contacto con cables ocultos o con su propio cordón eléctrico.** Todo contacto de una herramienta con un cable cargado carga las piezas metálicas expuestas de la herramienta y da una descarga eléctrica al operador.
- **Familiarícese con su herramienta eléctrica. Lea cuidadosamente el manual del operador. Aprenda sus usos y limitaciones, así como los posibles peligros específicos de esta herramienta eléctrica.** Con el cumplimiento de esta regla se reduce el riesgo de una descarga eléctrica, incendio o lesión seria.
- **Siempre póngase protección ocular con protección lateral con la marca de cumplimiento de la norma ANSI Z87.1.** Con el cumplimiento de esta regla se reduce el riesgo de lesiones serias.
- **Protéjase los pulmones. Use una careta o mascarilla contra el polvo si la operación genera mucho polvo.** Con el cumplimiento de esta regla se reduce el riesgo de lesiones serias.
- **Protéjase los oídos. Durante períodos prolongados de utilización del producto, póngase protección para los oídos.** Con el cumplimiento de esta regla se reduce el riesgo de lesiones corporales serias.
- **No se necesita conectar a una toma de corriente las herramientas de baterías; por lo tanto, siempre están en condiciones de funcionamiento. Esté consciente de los posibles peligros cuando no esté usando la herramienta de baterías o cuando esté cambiando los accesorios de la misma.** Con el cumplimiento de esta regla se reduce el riesgo

de una descarga eléctrica, incendio o lesión corporal seria.






- **No coloque herramientas de baterías ni las baterías mismas cerca del fuego o del calor.** De esta manera se reduce el riesgo de explosiones y de lesiones.
- **No aplaste, deje caer o dañe la batería. Nunca utilice una batería o cargador que se ha caído, aplastado, recibido un golpe contundente o ha sido dañado(a) de alguna manera.** Las baterías dañadas pueden sufrir explosiones. Deseche de inmediato toda batería que haya sufrido una caída o cualquier daño.
- **Las baterías pueden explotar en presencia de una fuente de inflamación, como una luz guía.** Para reducir el riesgo de lesiones corporales serias, nunca use un producto inalámbrico en presencia de llamas expuestas. La explosión de una batería puede lanzar fragmentos y compuestos químicos. Si ha quedado expuesto a la explosión de una batería, lávese de inmediato con agua.
- **No cargue herramientas de baterías en lugares mojados o húmedos.** Con el cumplimiento de esta regla se reduce el riesgo de una descarga eléctrica.
- **Para obtener resultados óptimos, debe cargar la herramienta de baterías en un lugar donde la temperatura esté entre 10 y 38 °C (entre 50 y 100 °F).** Para reducir el riesgo de lesiones serias, no guarde la herramienta a la intemperie ni en el interior de vehículos.
- **En condiciones extremas de uso o temperatura las baterías pueden emanar líquido. Si el líquido llega a tocarle la piel, lávese de inmediato con agua y jabón. Si le entra líquido en los ojos, láveselos con agua limpia por lo menos 10 minutos, y después busque de inmediato atención médica.** Con el cumplimiento de esta regla se reduce el riesgo de lesiones corporales serias.
- **Guarde estas instrucciones.** Consúltelas con frecuencia y empléelas para instruir a otras personas que puedan utilizar esta herramienta. Si presta a alguien esta herramienta, facilítele también las instrucciones con el fin de evitar un uso indebido del producto y posibles lesiones.

SÍMBOLOS

Las siguientes palabras de señalización y sus significados tienen el objeto de explicar los niveles de riesgo relacionados con este producto.

SÍMBOLO	SEÑAL	SIGNIFICADO
	PELIGRO:	Indica una situación peligrosa inminente, la cual, si no se evita, causará la muerte o lesiones serias.
	ADVERTENCIA:	Indica una situación peligrosa posible, la cual, si no se evita, podría causar la muerte o lesiones serias.
	PRECAUCIÓN:	Indica una situación potencialmente peligrosa la cual, si no se evita, puede causar lesiones leves o moderadas.
	PRECAUCIÓN:	(Sin el símbolo de alerta de seguridad) Indica una situación que puede producir daños materiales.

Es posible que se empleen en este producto algunos de los siguientes símbolos. Le suplicamos estudiarlos y aprender su significado. Una correcta interpretación de estos símbolos le permitirá utilizar mejor y de manera más segura el producto.

SÍMBOLO	NOMBRE	DENOMINACIÓN/EXPLICACIÓN
	Alerta de seguridad	Indica un peligro posible de lesiones personales.
	Lea el manual del operador	Para reducir el riesgo de lesiones, el usuario debe leer y comprender el manual del operador antes de usar este producto.
	Protección para los ojos y oídos	Siempre utilice protección ocular con protección lateral con la marca de cumplimiento de la norma ANSI Z87.1, como así también protección auditiva cuando utilice este equipo.
	Alerta de condiciones húmedas	No exponga la unidad a la lluvia ni la use en lugares húmedos.
	Símbolos de reciclado	Este producto contiene baterías de níquel-cadmio (Ni-Cd) o iones de litio (Li-ion). Es posible que algunas leyes municipales, estatales o federales prohíban desechar las baterías de níquel-cadmio en la basura normal. Consulte a las autoridades reguladoras de desechos para obtener información en relación con las alternativas de reciclado y desecho disponibles.
V	Volts	Voltaje
min	Minutos	Tiempo
==	Corriente continua	Tipo o característica de corriente
n ₀	Velocidad en vacío	Velocidad de rotación, en vacío
.../min	Por minuto	Revoluciones, carreras, velocidad superficial, órbitas, etc., por minuto

CARACTERÍSTICAS

ESPECIFICACIONES DEL PRODUCTO

Portabrocas.....13 mm (1/2 pulg.), de apriete sin llave
Motor.....18 V, corr. cont.
Interruptor..... Velocidad variable
Velocidad en vacío0-400 / 0-1 500 r/min. (RPM)

Embrague.....24 posiciones
Fuerza de torsión..... 37,3 N-m (330 lb-pulg.)
Velocidad de percusión..... 0-5 200 / 0-19 500 GPM*
*Golpes por minuto

FAMILIARÍCESE CON EL TALADRO- DESTORNILLADOR

Vea la figura 1, página 13.

Para usar este producto con la debida seguridad se debe comprender la información indicada en la herramienta misma y en este manual, y se debe comprender también el trabajo que intenta realizar. Antes de usar este producto, familiarícese con todas las características de funcionamiento y normas de seguridad del mismo.

MANGO AUXILIAR

El taladro está equipado de un mango auxiliar para facilitar su manejo y evitar la pérdida de control.

COMPARTIMIENTO DE PUNTAS

Las puntas de destornillador suministradas con el taladro pueden colocarse en el compartimiento situado en la base de la unidad.

GOLPES POR MINUTO

Esta herramienta ofrece una velocidad de 0-5 200 / 0-19 500 GPM (Golpes Por Minuto). La velocidad en golpes por minuto es el número de impactos por minuto.

BARRA LIMITADORA DE PROFUNDIDAD

Con esta herramienta se suministra una barra limitadora de profundidad para ayudar a controlar la profundidad de los orificios taladrados.

SELECTOR DE SENTIDO DE ROTACIÓN (ADELANTE / ATRÁS / SEGURO EN EL CENTRO)

El taladro dispone de un selector de sentido de giro (adelante / atrás / seguro en el centro) situado arriba del gatillo del interruptor para cambiar el sentido de giro de la broca. Si se pone el interruptor de gatillo en la posición de **APAGADO** (seguro en el centro) se evita el peligro de arrancar accidentalmente la herramienta cuando no está usándose.

PORTABROCAS DE APRIETE SIN LLAVE

El portabrocas de apriete sin llave permite apretar o aflojar a mano la broca en las mordazas del portabrocas.

TALADRADO CON NIVEL

En la parte superior del taladro de percusión se encuentra un nivel. Se puede usar para mantener el nivel de las brocas del taladro durante operaciones de taladrado horizontales.

BANDEJA MAGTRAY™

La bandeja magnética sirve para guardar de forma conveniente tornillos y otras piezas pequeñas.

SELECTOR DE MODO RÁPIDO

El selector de modo rápido permite cambiar rápidamente de modo de atornillado a modo de taladrado.

ANILLO DE AJUSTE DE FUERZA DE TORSIÓN

El taladro incorpora un embrague de 24 posiciones. El anillo de ajuste de la fuerza de torsión puede girarse para escoger la cantidad correcta de torsión necesaria en cada caso.

ENGRANAJE DE DOS VELOCIDADES

El engranaje de dos velocidades taladra o atornilla a velocidad **BAJA**, posición **(1)** o **ALTA**, posición **(2)**. Hay un interruptor deslizante en la parte superior del taladro para seleccionar velocidad **BAJA**, posición **(1)** o **ALTA**, posición **(2)**.

VELOCIDAD VARIABLE

El gatillo del interruptor produce mayor velocidad cuanto mayor presión se aplica en el gatillo, y menor velocidad cuanto menor presión se aplica en el mismo.

ARMADO

DESEMPAQUETADO

Este producto requiere armarse.

- Extraiga cuidadosamente de la caja la producto y los accesorios. Asegúrese de que estén presentes todos los artículos enumerados en la lista de empaquetado.

ADVERTENCIA:

No utilice este producto si alguna pieza incluida en la lista de empaquetado ya está ensamblada al producto cuando lo desempaqueta. El fabricante no ensambla las piezas de esta lista en el producto. Éstas deben ser instaladas por el usuario. El uso de un producto que puede haber sido ensamblado de forma inadecuada podría causar lesiones personales graves.

- Inspeccione cuidadosamente la producto para asegurarse de que no haya sufrido ninguna rotura o daño durante el transporte.
- No deseché el material de empaquetado hasta que haya inspeccionado cuidadosamente la producto y la haya utilizado satisfactoriamente.
- Si hay alguna pieza dañada o faltante, llame al 1-800-525-2579, donde le brindaremos asistencia.

LISTA DE EMPAQUETADO

Taladro de percusión

Conjunto de mango auxiliar

Puntas de destornillador

Manual del operador

CONJUNTO DE MANGO AUXILIAR

Vea la figura 2, página 13.

El taladro viene con un mango auxiliar que facilita el funcionamiento y ayuda a prevenir la pérdida del control. El mango se puede montar en cualquiera de los lados del taladro, para usar con la mano derecha o izquierda.

- Introduzca el tornillo del mango en el orificio ubicado sobre el interruptor del gatillo y coloque la cabeza hexagonal dentro del orificio.

- Deslice el collar del mango por el tornillo y coloque el extremo hexagonal del collar dentro del orificio hexagonal.

NOTA: Asegúrese de que el orificio hexagonal para la barra limitadora de profundidad esté colocado en la parte superior del collar.

- Deslice la barra limitadora de profundidad por el orificio con forma hexagonal que se encuentra en la parte superior del collar.

- Deslice la mordaza de la barra limitadora de profundidad por la muesca en el collar. La mordaza sostiene la barra de profundidad firmemente en su lugar.

NOTA: Cuando se instala correctamente, los dientes de la barra limitadora de profundidad deben estar alineados con el indicador de dientes de la abrazadera de dicha barra.

- Enrosque el mango auxiliar en el tornillo y ajuste firmemente.

NOTA: Asegúrese de que el mango auxiliar esté ajustado firmemente en la mordaza de la barra limitadora de profundidad. Esto asegura la barra limitadora de profundidad a la profundidad de corte deseada. También asegura el mango auxiliar.

ADVERTENCIA:

Si falta o está dañada alguna pieza, no utilice este producto sin haber reemplazado la pieza. Usar este producto con partes dañadas o faltantes puede causar lesiones serias al operador.

ADVERTENCIA:

No intente modificar esta producto ni hacer accesorios no recomendados para la misma. Cualquier alteración o modificación constituye maltrato, el cual puede causar una condición peligrosa, y como consecuencia posibles lesiones corporales serias.

ADVERTENCIA:

Para evitar un arranque accidental que podría causar lesiones corporales serias, siempre desmonte de la producto el paquete de baterías al montarle piezas a aquélla.

FUNCIONAMIENTO

ADVERTENCIA:

No permita que su familiarización con este producto le vuelva descuidado. Tenga presente que un descuido de un instante es suficiente para causar una lesión grave.

ADVERTENCIA:

Siempre póngase protección ocular con protección lateral con la marca de cumplimiento de la norma ANSI Z87.1. La inobservancia de esta advertencia puede causar el lanzamiento de objetos a los ojos, y por consecuencia posibles lesiones serias.

FUNCIONAMIENTO

ADVERTENCIA:

No utilice ningún aditamento o accesorio no recomendado por el fabricante de esta herramienta. El empleo de aditamentos o accesorios no recomendados podría causar lesiones serias.

APLICACIONES

Esta herramienta puede emplearse para los fines enumerados abajo:

- Taladrado productos de madera (madera aserrada, madera contrachapada, paneles, madera compuesta y madera dura)
- Taladrado en cerámica, plásticos, fibra de vidrio y material laminado
- Taladrado en metales
- Enroscar tornillos con puntas de destornillador
- Taladrado de percusión en hormigón, ladrillo y otros tipos de mampostería

Este producto acepta baterías de iones de litio de 18 V y de níquel-cadmio de 18 V. El período de funcionamiento obtenible con cada carga depende del tipo de trabajo hecho.

Para ver las instrucciones de carga completas, consulte los manuales del operador del paquete de baterías Ryobi One+ y los modelos de cargador.

CARACTERÍSTICAS DE PROTECCIÓN DE LAS BATERÍAS

Las baterías de iones de litio Ryobi de 18 V están diseñadas con características que protegen las celdas de iones de litio y maximizan la duración de las baterías.

Si la herramienta se detiene durante el uso, suelte el gatillo para reiniciarla y reanude el funcionamiento. Si aun así no funciona, se debe recargar la batería.

PARA INSTALAR EL PAQUETE DE BATERÍAS

Vea la figura 3, página 13.

- Coloque el selector de sentido de rotación en la posición central.
- Coloque el paquete de baterías en el taladro. Alinee la costilla realzada del paquete de baterías con la ranura del receptáculo para baterías del taladro.
- Asegúrese de que los pestillos situados en ambos lados del paquete de baterías entren completamente en su lugar con un chasquido, y de que el paquete quede bien fijo en el taladro antes de empezar a utilizar éste.

ADVERTENCIA:

Retire siempre el paquete de baterías de la herramienta antes de instalar las piezas, realizar ajustes, limpiarla o cuando no la utilice. Retirar el paquete de baterías evitará que la unidad se accione accidentalmente y provoque lesiones graves.

PARA DESMONTAR EL PAQUETE DE BATERÍAS

Vea la figura 3, página 13.

- Coloque el selector de sentido de rotación en la posición central.
- Localice los pestillos situados en el costado del paquete de baterías y oprimalos en ambos lados para liberar éste del taladro.
- Retire del taladro el paquete de baterías.

ADVERTENCIA:

Las herramientas de baterías siempre están en condiciones de funcionamiento. Por lo tanto, siempre debe estar asegurado el interruptor cuando no esté usándose o el operador lo lleve por un lado.

GATILLO DEL INTERRUPTOR

Vea la figura 4, página 13.

Para **ENCENDER** el taladro, oprima el gatillo del interruptor. Para **APAGAR** la unidad, suelte el gatillo del interruptor.

VELOCIDAD VARIABLE

El interruptor de velocidad variable produce mayor velocidad y fuerza de torsión cuanto mayor presión se aplica en el gatillo, y menor velocidad cuanto menor presión se aplica en el mismo.

Nota: Es posible que se escuche un ruido de silbido o de zumbido del interruptor al usarse. No debe ser motivo de preocupación; es parte normal del funcionamiento del interruptor.

SELECTOR DE SENTIDO DE ROTACIÓN (ADELANTE / ATRÁS / SEGURO EN EL CENTRO)

Vea la figura 4, página 13.

El sentido de rotación de la broca es invertible y se controla con un selector, el cual está situado arriba del gatillo del interruptor. Con el taladro sostenido en la posición normal de trabajo, el selector de sentido de rotación debe estar a la izquierda del gatillo del interruptor para el taladrado. El sentido de rotación está invertido cuando el selector se encuentra a la derecha del gatillo del interruptor.

Si se pone el interruptor de gatillo en la posición de **APAGADO** (seguro en el centro) se evita el peligro de arrancar accidentalmente la herramienta cuando no está usándose.

PRECAUCIÓN:

Para evitar dañar el engranaje, antes de cambiar el sentido de rotación siempre permita que se detenga completamente el portabrocas.

Para detener el taladro, suelte el gatillo del interruptor y permita que se detenga completamente el portabrocas.

NOTA: El taladro no funciona a menos que se empuje el selector de dirección de giro completamente a la izquierda o derecha. Evite utilizar el taladro a velocidad baja durante períodos de tiempo prolongados. Si se hace funcionar el taladro a baja velocidad en uso constante puede recalentarse. Si ocurre tal situación, enfríe el taladro poniéndolo a funcionar en vacío y a toda velocidad.

FUNCIONAMIENTO

SEGURO INTERNO DEL HUSILLO

El seguro interno del husillo permite al usuario efectuar con una mano los ajustes del portabrocas y los cambios de puntas de destornillador y brocas. Oprimiendo en la mano el cuerpo del portabrocas se impide el giro de las mordazas del mismo. Para cambiar la punta de destornillador o broca, oprima en la mano el cuerpo del portabrocas y gírelo.

PORTABROCAS DE APRIETE SIN Llave

Vea la figura 5, página 14.

El taladro-destornillador dispone de un portabrocas de apriete sin llave para apretar o aflojar la broca en las mordazas del portabrocas. Las flechas del portabrocas indican en cuál dirección girar el cuerpo de éste para **LOCK** (apretar) o **UNLOCK** (aflojar) la broca.

ADVERTENCIA:

No sujete el cuerpo del portabrocas con una mano para usar la potencia del taladro con el fin de apretar la broca en las mordazas. El cuerpo del portabrocas podría resbalarse en la mano, o la mano misma resbalarse y tocar la broca girando. Esto podría causar un accidente, y como consecuencia lesiones corporales serias.

ENGRANAJE DE DOS VELOCIDADES

Vea las figuras 6, página 15.

El taladro dispone de un engranaje de dos velocidades para taladrar o impulsar tornillos a velocidad **BAJA**, posición (1) o **ALTA**, posición (2). Hay un interruptor deslizante en la parte superior del taladro para seleccionar velocidad **BAJA**, posición (1), o **ALTA**, posición (2). Al utilizar el taladro en la gama de

velocidad **BAJA**, posición (1), la velocidad disminuye y la unidad desarrolla potencia y fuerza de torsión mayores. Al utilizar el taladro en la gama de velocidad **ALTA**, posición (2), la velocidad aumenta y la unidad desarrolla potencia y fuerza de torsión menores. Para usos donde se requieran potencia y fuerza de torsión elevadas, use velocidad **BAJA**, posición (1), y para taladrado o atornillado rápidos, use velocidad **ALTA**, posición (2).

NOTA: Si tiene dificultades para cambiar de una gama de velocidad a la otra, gire con la mano el portabrocas hasta que embraguen los engranajes.

PRECAUCIÓN:

Nunca cambie de gama de velocidad mientras esté funcionando la herramienta. El incumplimiento de esta precaución puede producir daños serios en el taladro.

SELECTOR DE MODO RÁPIDO

Vea la figura 7 - 8, página 14.




El selector de modo rápido permite cambiar rápidamente de modo de taladrado a modo de atornillado.

En general, el modo de taladrado debe emplearse para tal fin y otras aplicaciones de trabajo pesado. El modo de atornillado debe usarse para impulsar tornillos. El modo de percusión debe usarse para taladrado de percusión.

SELECCIÓN DE AJUSTE DE TALADRADO O ATORNILLADO

Vea la figura 7, página 14.

En el cuadro de la siguiente página, seleccione la opción que

1. OPERACIÓN	2. VELOCIDAD	3. MODO
<ul style="list-style-type: none"> Tornillos tirafondos hasta de 9,5 mm (3/8 pulg.) de diám. por 38,1 mm (1-1/2 pulg.) de long. Brocas sierra hasta de 50,8 mm (2 pulg.) Brocas de pala hasta de 38,1 mm (1-1/2 pulg.) Brocas hasta de 12,7 mm (1/2 pulg.) Taladrado en metal Tornillos para hormigón 	1 (BAJA)	MODO DE TALADRADO (AJUSTE DE FUERZA DE TORSIÓN INACTIVO) 
	2 (ALTA)	
<ul style="list-style-type: none"> Tornillos hasta de 76 mm (3 pulg.) para entablados o madera Tornillos roscadores 	1 (BAJA)	MODO DE ATORNILLADO 
	2 (ALTA)	
<ul style="list-style-type: none"> Taladra en mampostería y concreto. 	1 (BAJA)	MODO DE PERCUSIÓN (AJUSTE DE FUERZA DE TORSIÓN INACTIVO) 
	2 (ALTA)	

FUNCIONAMIENTO

coincida mejor con el tipo de broca o punta de destornillador, tornillo y material que esté usando.

1. Escoja la **OPERACIÓN**
2. Escoja la **VELOCIDAD** adecuada:
(1 (BAJA) o 2 (ALTA))
3. Escoja el **MODO ADECUADO:**
(ATORNILLADO, TALADRADO O PERCUSIÓN)

AJUSTE LA FUERZA DE TORSIÓN

Vea la figura 9, página 14.

Al utilizar el taladro para diversas operaciones de atornillado, es necesario aumentar o disminuir la fuerza de torsión con el fin de evitar posibles daños a las cabezas o roscas de los tornillos, a la pieza de trabajo, etc. En general, la fuerza de torsión debe corresponder al diámetro del tornillo. Si la fuerza de torsión es demasiado elevada, o los tornillos demasiado pequeños, pueden dañarse o romperse los tornillos.

La fuerza de torsión se ajusta girando el anillo de ajuste de la misma.

La fuerza de torsión es mayor cuando el anillo de ajuste de la misma se pone en una marca alta. La fuerza de torsión es menor cuando el anillo de ajuste de la misma se pone en una marca baja.

El ajuste adecuado depende del tipo de material y del tamaño del tornillo.

COMPARTIMIENTO PARA PUNTAS

Vea la figura 10, página 14.

Cuando no está utilizándose la broca suministrada con el taladro, puede colocarse en los compartimientos situados en la base del taladro.

BANDEJA MAGTRAY™

Vea la figura 11, página 14.

La bandeja magnética sirve para guardar de forma conveniente tornillos y otras piezas pequeñas.

EMPLEO DEL CONJUNTO DEL MANGO AUXILIAR

Vea la figura 12, página 15.

Este taladro está equipado de un mango auxiliar para facilitar su manejo y ayudar a evitar la pérdida de control. El mango puede montarse en ambos lados para manejarse con la mano izquierda o la derecha.

AJUSTE DEL CONJUNTO DEL MANGO AUXILIAR

Vea la figura 12, página 15.

Para ajustar el conjunto del mango auxiliar:

- Afloje el conjunto del mango; para ello gire a la izquierda el mango.
- Coloque el conjunto del mango auxiliar en la posición de trabajo deseada.
- Apriete firmemente el mango auxiliar; para ello, gírelo a la derecha.

NOTA: Asegúrese de que el mango auxiliar quede firme-

mente apretado contra la abrazadera de la barra limitadora de profundidad. De esta manera se ajusta la barra limitadora de profundidad a la profundidad de taladrado deseada. También queda asegurado el mango auxiliar.

AJUSTE DE LA BARRA LIMITADORA DE PROFUNDIDAD

Vea la figura 13, página 15.

La barra limitadora de profundidad sirve para controlar la profundidad de los agujeros taladrados. Para mayor utilidad y facilidad al iniciar el enroscado de la tuerca hexagonal, ésta está atrapada dentro de la ranura moldeada del mango auxiliar.

Para ajustar la barra limitadora de profundidad:

- Asegure el gatillo del interruptor; para ello, coloque el selector de sentido de rotación en la posición central.
- Afloje el conjunto del mango auxiliar girando la perilla hacia la izquierda.
- Ajuste la barra limitadora de profundidad de manera que la broca sobrepase el extremo de la barra, hasta la profundidad de taladrado requerida.
- Apriete el conjunto del mango auxiliar girando la perilla hacia la derecha.

NOTA: Cuando se instala correctamente, los dientes de la barra limitadora de profundidad deben estar alineados con el indicador de dientes de la abrazadera de dicha barra.

INSTALACIÓN DE LAS PUNTAS DE DESTORNILLADOR

Vea las figuras 14 y 15, página 15.

- Asegure el gatillo del interruptor; para ello, coloque el selector de sentido de rotación en la posición central.
- Abra o cierre las mordazas del portabrocas a tal punto que la abertura sea levemente más grande que la broca deseada. Además, eleve levemente la parte frontal del taladro para evitar que la broca caiga de las mordazas del portabrocas.
- Introduzca la broca.
- Apriete la broca en las mordazas del portabrocas.



ADVERTENCIA:

Asegúrese de introducir la broca recta en las mordazas del portabrocas. No introduzca en ángulo la broca en las mordazas del portabrocas para después apretarla, como se muestra en la figura 15. Podría causar que la broca salga disparada del taladro, y por consecuencia, posibles lesiones corporales serias, o daños al portabrocas.

- Gire a la izquierda el portabrocas para apretar firmemente la broca en las mordazas de aquél.

NOTA: Para apretar las mordazas del portabrocas, gire el cuerpo del mismo en la dirección de la flecha marcada con la palabra **LOCK** (asegurar). No utilice ninguna llave para apretar o aflojar las mordazas del portabrocas.

FUNCIONAMIENTO

REMOCIÓN DE LAS BROCAS

Vea la figura 14, página 15.

- Asegure el gatillo del interruptor; para ello, coloque el selector de sentido de rotación en la posición central.
- Gire a la izquierda el collar del portabrocas para abrir las mordazas del mismo.

NOTA: Para aflojar las mordazas del portabrocas, gire el cuerpo del mismo en la dirección de la flecha marcada con la palabra **UNLOCK** (desasegurar). No utilice ninguna llave para apretar o aflojar las mordazas del portabrocas.

- Retire la broca.

TALADRADO

Vea la figura 16, página 15.

- Revise el selector de sentido de rotación para ver si está en la posición correcta (marcha adelante o atrás).
- Asegure la pieza de trabajo en una prensa de banco, o con prensas de mano, para evitar que rote al girar la broca.
- Sostenga firmemente el taladro y coloque la broca en el punto donde va a taladrar.
- Oprima el gatillo del interruptor para encender el taladro.
- Introduzca la broca en la pieza de trabajo aplicando solo la presión suficiente para mantener la broca perforando el material. No fuerce el taladro ni aplique presión lateral para ovalar el orificio. Permita que la herramienta realice el trabajo.



ADVERTENCIA:

Esté preparado por si se atasca la broca al traspasar la pieza de trabajo. Cuando ocurren estas situaciones, el taladro presenta una tendencia a agarrotarse y dar una patada en el sentido opuesto al de rotación, y podría causar una pérdida de control al cortar el material. Si usted no está preparado, esta pérdida de control podría ser causa de lesiones serias.

- Para taladrar superficies lisas y duras utilice un punzón de marcar para señalar la ubicación de la perforación. De esta manera se evita que la broca se desplace del centro al iniciar la perforación.
- Al taladrar metales aplique aceite de baja viscosidad en la broca para evitar el recalentamiento de la misma. El aceite prolonga la vida útil de la broca y aumenta la eficacia de la operación de taladrado.
- Si se atora la broca en la pieza de trabajo, o si se detiene el taladro, apague de inmediato la herramienta. Retire la broca de la pieza de trabajo y determine la razón causante del atoramiento.

NOTA: Este taladro dispone de un freno eléctrico. Al soltarse el gatillo del interruptor, el portabrocas cesa de girar. Cuando

el freno funciona correctamente, se observan chispas a través de las ranuras de ventilación del alojamiento del motor. Esto es normal y es la acción del freno.

TALADRADO EN MADERA

Para obtener un desempeño óptimo de la unidad, utilice brocas de acero de alta velocidad para taladrado en madera.

- Seleccione el modo de taladrado normal.
- Comience a taladrar a una velocidad muy baja para impedirle a la broca abandonar el punto inicial. Aumente la velocidad a medida que la broca penetra en el material.
- Al taladrar orificios de lado a lado, coloque un bloque de madera detrás de la pieza de trabajo para evitar producir orillas deshilachadas o astilladas en la parte posterior del orificio.

TALADRADO EN METAL

Para obtener un desempeño óptimo de la unidad, utilice brocas de acero de alta velocidad para taladrado en metal o en acero.

- Seleccione el modo de taladrado.
- Comience a taladrar a una velocidad muy baja para impedirle a la broca abandonar el punto inicial.
- Mantenga una velocidad y una presión tales que permitan taladrar sin recalentar la broca. Si se aplica demasiada presión:
 - Se recalienta el taladro;
 - Se gastan los cojinetes;
 - Se doblan o queman las brocas; y
 - Se producen orificios descentrados o de forma irregular.
- Al taladrar agujeros grandes en metal, comience con una broca pequeña y termine con una grande. También, lubrique la broca con aceite para mejorar la acción de taladrado y aumentar la vida útil de la broca.

TALADRADO EN OBRAS DE ALBAÑILERÍA

Para obtener un desempeño óptimo de la unidad, utilice brocas de impacto con puntas de carburo para albañilería al taladrar en ladrillo, azulejo, hormigón, etc.

- Ponga el botón de ajuste a la izquierda para el modo de taladrado de percusión.
- Para obtener resultados óptimos en ladrillo, aplique presión leve y velocidad mediana.
- En materiales duros como el hormigón, aplique presión adicional.
- Al taladrar orificios en azulejo o baldosa, practique con una pieza de desecho para determinar la mejor combinación de velocidad y presión. Comience a taladrar a una velocidad muy baja para impedirle a la broca abandonar el punto inicial.

MANTENIMIENTO

ADVERTENCIA:

Al dar servicio a la unidad, sólo utilice piezas de repuesto idénticas. El empleo de piezas diferentes puede causar un peligro o dañar el producto.

ADVERTENCIA:

Siempre póngase protección ocular con protección lateral con la marca de cumplimiento de la norma ANSI Z87.1. Si la operación genera mucho polvo, también póngase una mascarilla contra el polvo.

MANTENIMIENTO GENERAL

Evite el empleo de solventes al limpiar piezas de plástico. La mayoría de los plásticos son susceptibles a diferentes tipos de solventes comerciales y pueden resultar dañados. Utilice paños limpios para eliminar la suciedad, el polvo, el aceite, la grasa, etc.

ADVERTENCIA:

No permita en ningún momento que fluidos para frenos, gasolina, productos a base de petróleo, aceites penetrantes, etc., lleguen a tocar las piezas de plástico. Las sustancias químicas pueden dañar, debilitar o destruir el plástico, lo cual a su vez puede producir lesiones corporales serias.

ALMACENAMIENTO DE LAS HERRAMIENTAS

Antes almacenar, siempre quita el paquete de batería de herramienta.

REMOCIÓN Y PREPARACIÓN DEL PAQUETE DE BATERÍAS PARA EL RECICLADO

ADVERTENCIA:

Al retirar el paquete de baterías, cubra las terminales del mismo con cinta adhesiva reforzada. No intente destruir o desarmar el paquete de baterías, ni de desmontar ninguno de sus componentes. Las baterías deben reciclarse o desecharse debidamente. Asimismo, nunca toque ambas terminales con objetos metálicos y partes del cuerpo, ya que puede producirse un corto circuito. Manténgase fuera del alcance de los niños. La inobservancia de estas advertencias puede causar incendios y lesiones corporales serias.

DESMONTAJE DEL PORTABROCAS

Vea las figuras 17 a 19, página 15.

El portabrocas puede desmontarse y reemplazarse con uno nuevo.

- Retire el paquete de baterías.
- Asegure el gatillo del interruptor; para ello, coloque el selector de sentido de rotación en la posición central.
- Introduzca una llave hexagonal de 8 mm (5/16 pulg.) o más grande en el portabrocas y apriete firmemente las mordazas del mismo.
- Golpee sólidamente la llave hexagonal con un mazo de goma hacia la derecha. De esta manera se afloja el tornillo del portabrocas para permitir el desmontaje de éste.
- Abra las mordazas del portabrocas y retire la llave hexagonal. Con un destornillador desenrosque el tornillo del portabrocas; para ello, gírelo hacia la derecha.

NOTA: El tornillo del portabrocas tiene rosca izquierda.

- Inserte la llave hexagonal en el portabrocas y apriete firmemente las mordazas del mismo. Golpee sólidamente hacia la izquierda con un mazo de goma. De esta manera se afloja el portabrocas en el husillo. Ahora ya puede desenroscarse a mano.

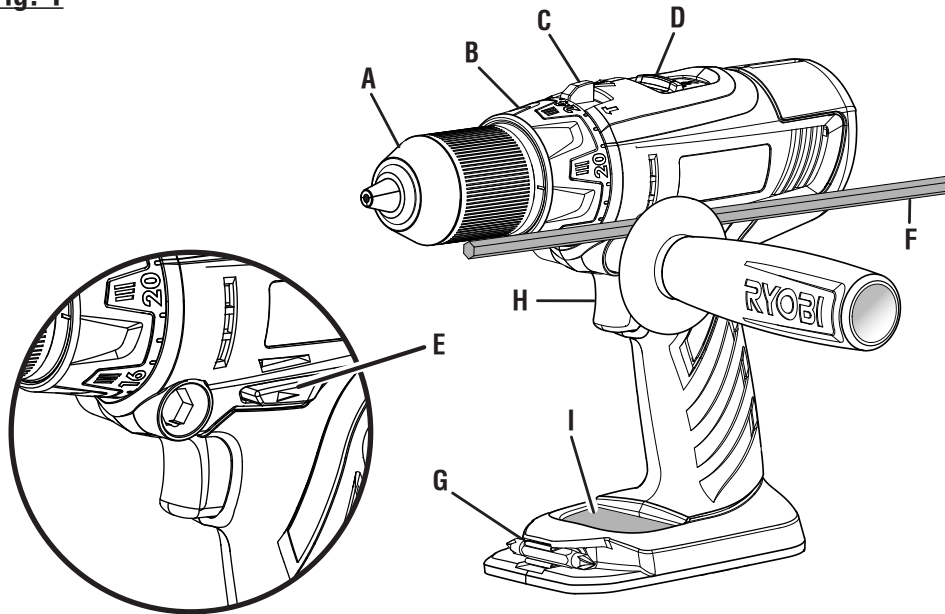
PARA APRETAR EL PORTABROCAS CUANDO SE AFLOJE

El portabrocas puede llegar a aflojarse en el husillo, con lo cual empieza a bambolearse. Además, el tornillo del portabrocas puede aflojarse y causar un atoramiento de las mordazas del portabrocas, con lo cual podrían quedar imposibilitadas para cerrar adecuadamente.

Para apretar:

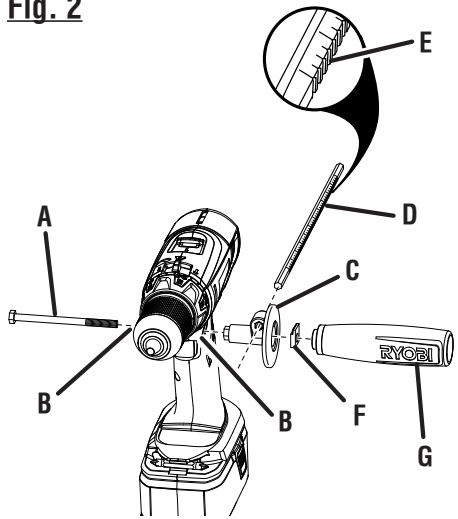
- Retire el paquete de baterías.
- Asegure el gatillo del interruptor; para ello, coloque el selector de sentido de rotación en la posición central.
- Abra las mordazas del portabrocas.
- Inserte la llave hexagonal en el portabrocas y apriete firmemente las mordazas del mismo. Golpee sólidamente la llave hexagonal con un mazo de goma hacia la derecha. De esta manera se aprieta el portabrocas en el husillo.
- Abra las mordazas del portabrocas y retire la llave hexagonal.
- Apriete el tornillo del portabrocas.

Fig. 1



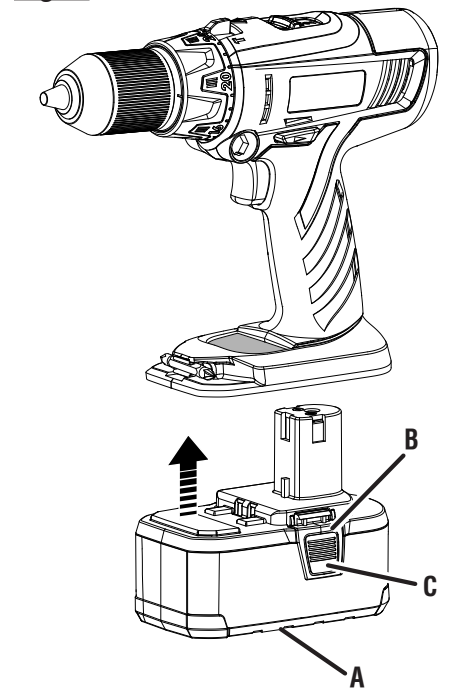
- A - Keyless chuck (mandrin sans clé, portabrocas de apriete sin llave)
- B - Torque adjustment ring (bague de réglage du couple, anillo de ajuste de fuerza de torsión)
- C - Quick mode selector (sélecteur de mode rapide, selector de modo rápido)
- D - Two-speed gear train (high-low) [train d'engrenages à deux vitesses (haute et basse, engranaje de dos velocidades (alta-baja)]
- E - Direction of rotation selector (forward/reverse/center lock) [sélecteur de sens de rotation (avant / arrière / verrouillage central), selector de sentido de rotación (adelante / atrás / seguro en el centro)]
- F - Depth rod stop (tige de butée de profondeur, barra limitadora de profundidad)
- G - Bit storage (rangement d'embouts, compartimiento de puntas)
- H - Switch trigger (gâchette, gatillo del interruptor)
- I - MagTray™ (MagTray™, bandeja MagTray™)

Fig. 2



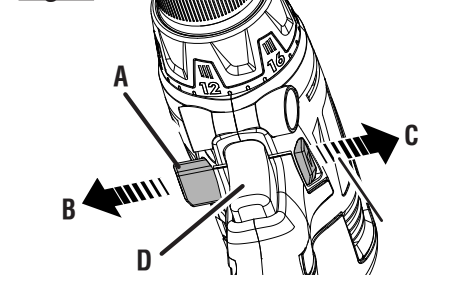
- A - Handle screw (vis de poignée, tornillo del mango)
- B - Hex head hole (trou hexagonal, orificio de la cabeza hexagonal)
- C - Handle collar (collier de la poignée, collar del mango)
- D - Depth stop rod (tige de butée de profondeur, barra limitadora de profundidad)
- E - Teeth (dents, dientes)
- F - Depth stop rod clamp (bride de la tige de butée de profondeur, mordaza de la barra limitadora de profundidad)
- G - Auxiliary handle (poignée auxiliaire, mango auxiliar)

Fig. 3



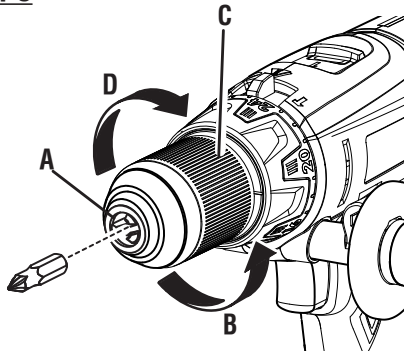
- A - Battery pack (bloc-pilas, paquete de baterías)
- B - Latches (loquets, pestillos)
- C - Depress latches to release battery pack (appuyer sur les loquets pour libérer le bloc-pilas, para soltar el paquete de pilas oprima los pestillos)

Fig. 4



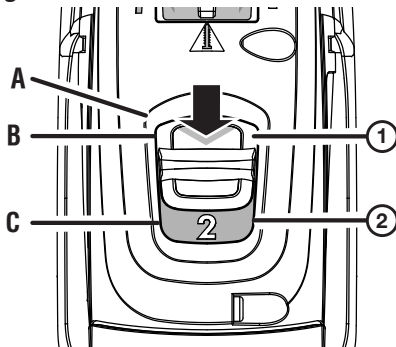
- A - Direction of rotation selector (forward/reverse/center lock) [sélecteur de sens de rotation (avant / arrière / verrouillage central), selector de sentido de rotación (adelante / atrás / seguro en el centro)]
- B - Reverse (rotation arrière, marcha atrás)
- C - Forward (rotation avant, marcha adelante)
- D - Switch trigger (gâchette, gatillo del interruptor)

Fig. 5



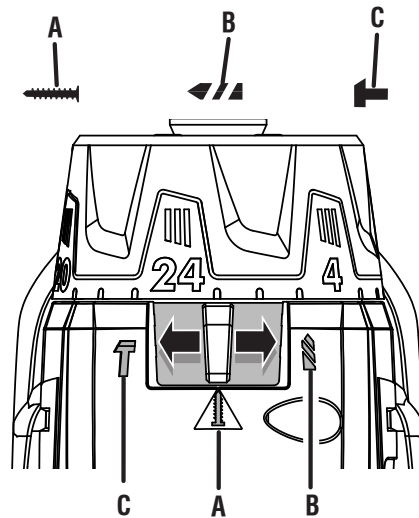
- A - Chuck jaws (mors du mandrin, mordazas del portabrocas)
- B - Unlock (release) [déverrouillage (libération), desasegurar (afloja)]
- C - Chuck body (corps du mandrin, cuerpo del portabrocas)
- D - Lock (tighten) [blocage (serrage), sujetar (apretar)]

Fig. 6



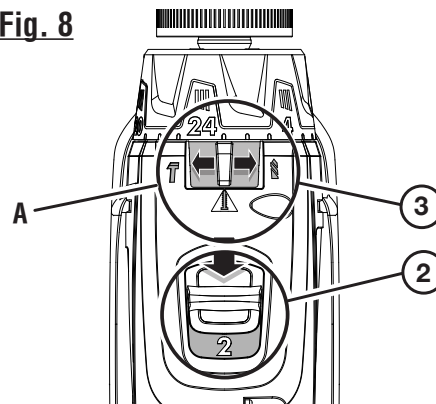
- A - Two-speed gear train (HI-LO) [train d'engrenages à deux vitesses (haute et basse, engranaje de dos velocidades (alta-baja)]
- B - Low speed (basse vitesse, velocidad baja)
- C - High speed (haute vitesse, velocidad alta)

Fig. 7



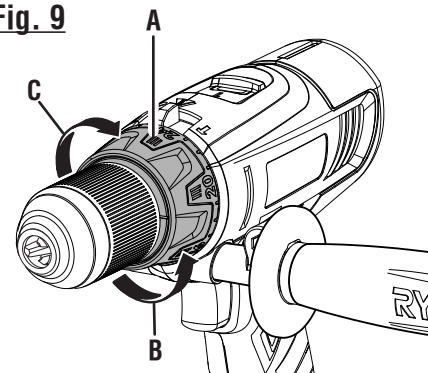
- A - Drive mode (mode de vissage, modo de atornillado)
- B - Drill mode, "torque adjustment not active" (mode de perçage "réglage de couple désactivé", modo de taladrado "ajuste de fuerza de torsion inactivo")
- C - Hammer mode (mode de percussion, modo de percusión)

Fig. 8



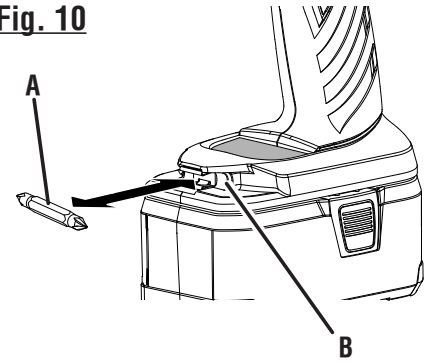
- A - Quick select mode (sélecteur de mode rapide, selector de modo rápido)

Fig. 9



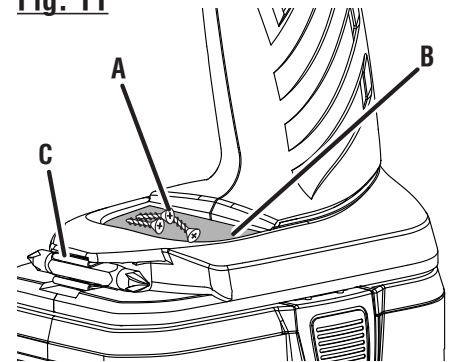
- A - Torque adjustment ring (bague de réglage du couple, anillo de ajuste de fuerza de torsión)
- B - To decrease torque (pour réduire le couple, para disminuir la fuerza de torsión)
- C - To increase torque (pour augmenter le couple, para aumentar la fuerza de torsión)

Fig. 10



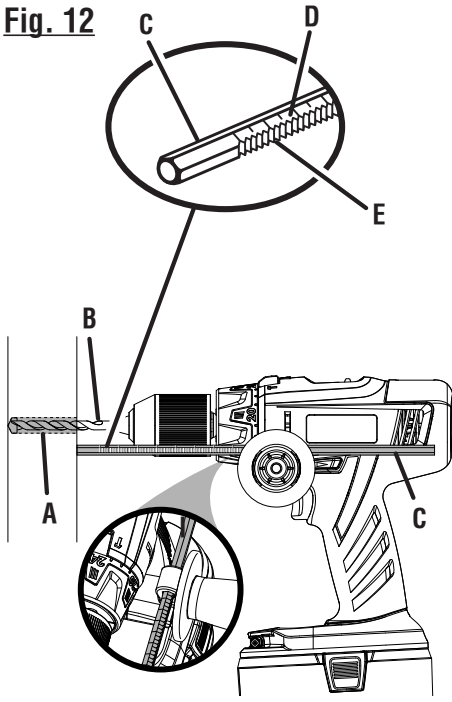
- A - Bit (forets, puntas)
- B - Bit storage (rangement des forets, compartimento para puntas)

Fig. 11



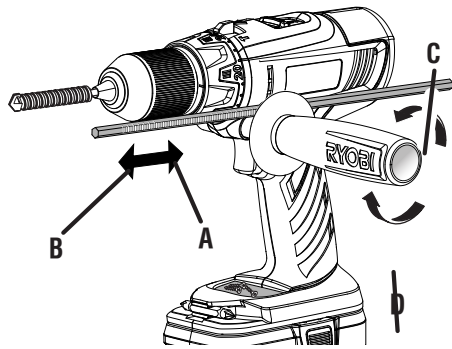
- A - Screws (vis, tornillos)
- B - MagTray™ (MagTray™, bandeja MagTray™)
- C - Bit holder (rangement de porte embouts, compartimento de puntas de destornillador)

Fig. 12



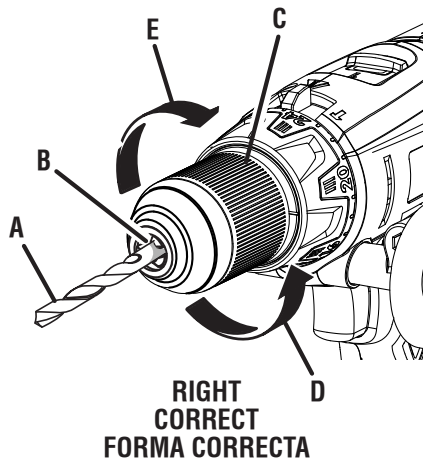
- A - Drilling depth (profondeur de perçage, profundidad de taladrado)
- B - Drill bit (foret, broca)
- C - Depth stop rod (tige de butée de profondeur, barra limitadora de profundidad)
- D - Scale (échelle, indicador de la escala)
- E - Teeth (dents, dientes)

Fig. 13



- A - To increase drilling depth (pour augmenter la profondeur de perçage, para aumentar la profundidad de taladrado)
- B - To decrease drilling depth (pour réduire la profondeur de perçage, para disminuir la profundidad de taladrado)
- C - To loosen (pour desserrer, para aflojar)
- D - To tighten (pour serrer, para apretar)

Fig. 14



- A - Drill bit (foret, broca)
- B - Chuck jaws (mors du mandrin, mordazas del portabrocas)
- C - Chuck sleeve (collet du mandrin, collar del portabrocas)
- D - Unlock (release) [unlock (desserage), unlock (aflojar)]
- E - Lock (tighten) [lock (serrage), lock (apretar)]

Fig. 15

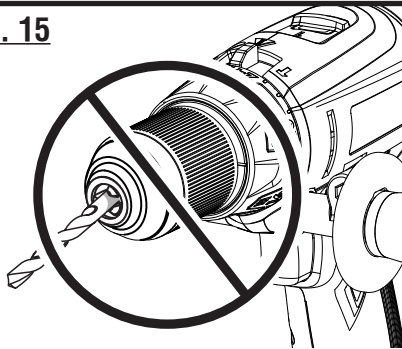


Fig. 16

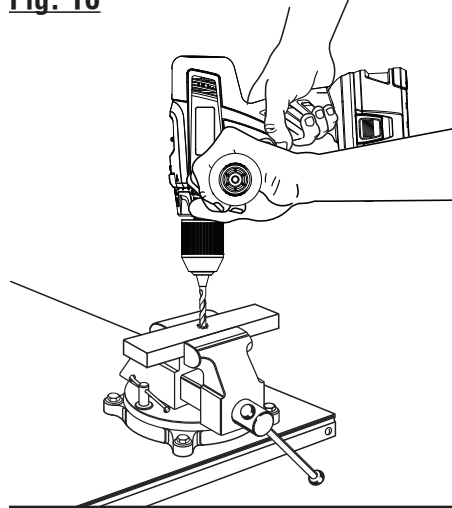
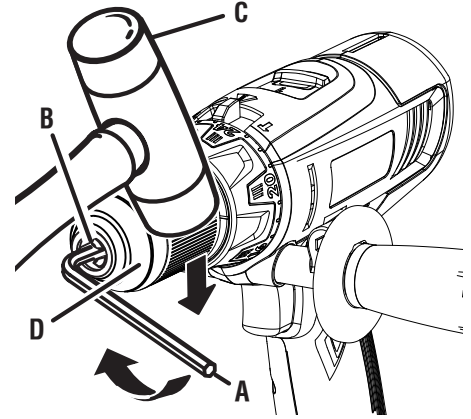
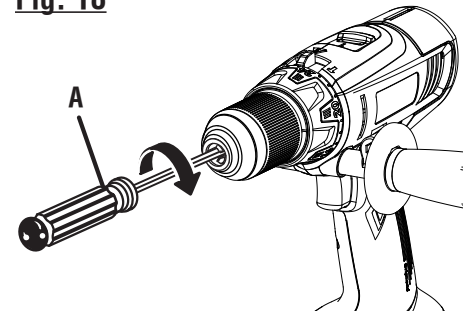


Fig. 17



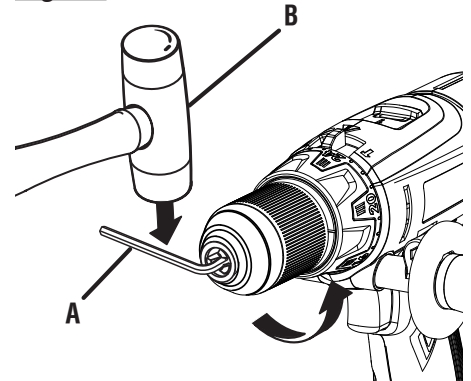
- A - Hex key (clé hexagonale, llave hexagonal)
- B - Chuck jaws (mors du mandrin, mordazas del portabrocas)
- C - Mallet (maillet, mazo)
- D - Chuck (mandrin, poortabrocas)

Fig. 18



- A - Screwdriver (tournevis, destornillador)

Fig. 19



- A - Hex key (clé hexagonale, llave hexagonal)
- B - Mallet (maillet, mazo)

Free Manuals Download Website

<http://myh66.com>

<http://usermanuals.us>

<http://www.somanuals.com>

<http://www.4manuals.cc>

<http://www.manual-lib.com>

<http://www.404manual.com>

<http://www.luxmanual.com>

<http://aubethermostatmanual.com>

Golf course search by state

<http://golfingnear.com>

Email search by domain

<http://emailbydomain.com>

Auto manuals search

<http://auto.somanuals.com>

TV manuals search

<http://tv.somanuals.com>