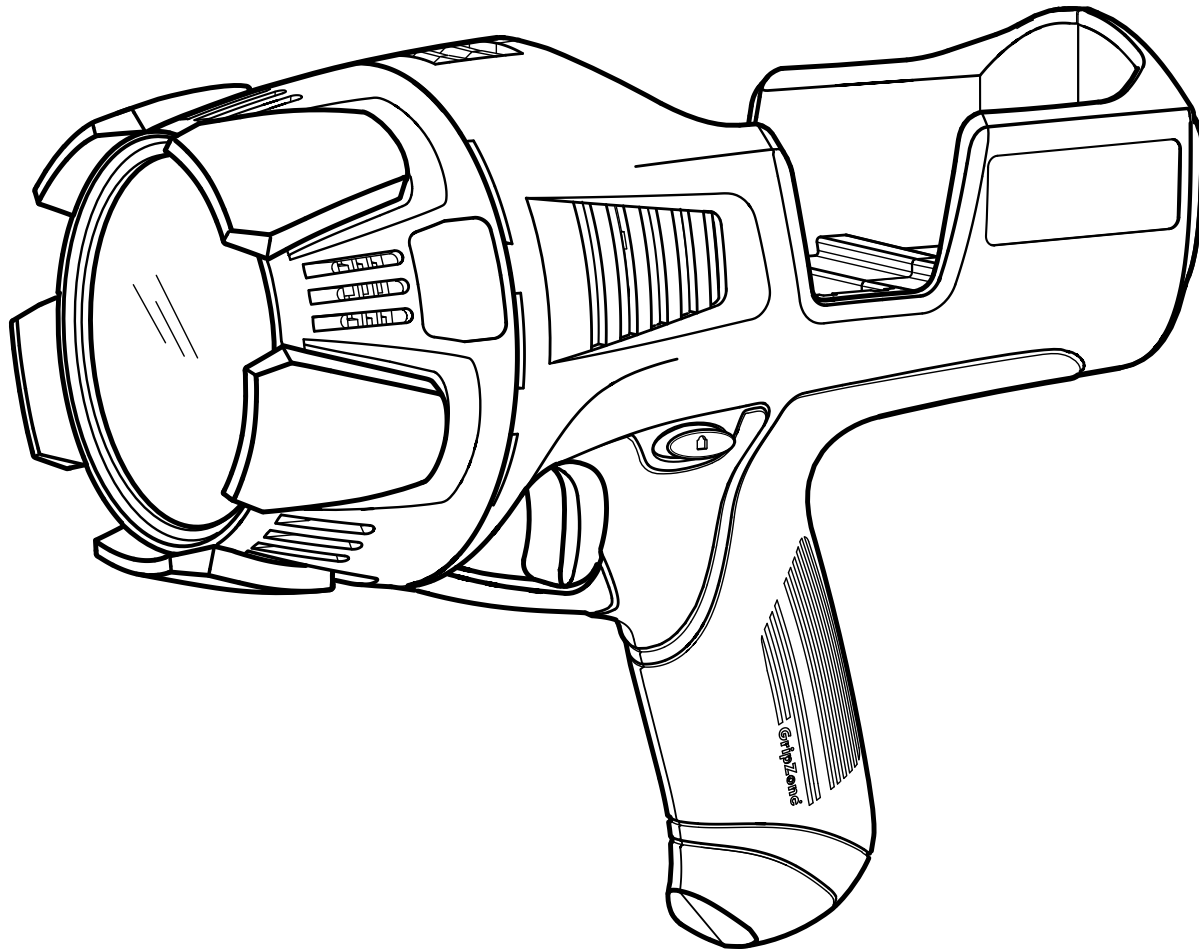




OPERATOR'S MANUAL

18 VOLT SPOTLIGHT

P715



BATTERIES AND CHARGERS SOLD SEPARATELY

ACCEPTS ALL ONE+ BATTERY PACKS

Your spotlight has been engineered and manufactured to our high standard for dependability, ease of operation, and operator safety. When properly cared for, it will give you years of rugged, trouble-free performance.

WARNING: To reduce the risk of injury, the user must read and understand the operator's manual before using this product.

Thank you for your purchase.

SAVE THIS MANUAL FOR FUTURE REFERENCE

TABLE OF CONTENTS

■ Introduction	2
■ Warranty	2
■ General Safety Rules	3
■ Symbols	4
■ Features	5
■ Assembly	5-6
■ Operation	6-7
■ Maintenance	8-9
■ Parts Ordering/Service	Back Page

INTRODUCTION

This product has many features for making its use more pleasant and enjoyable. Safety, performance, and dependability have been given top priority in the design of this product making it easy to maintain and operate.

WARRANTY

RYOBI® POWER TOOL - LIMITED TWO YEAR WARRANTY AND 30 DAY EXCHANGE POLICY

One World Technologies, Inc., warrants its RYOBI® power tools with the following conditions:

30-DAY EXCHANGE POLICY: During the first 30 days after date of purchase, you may either request service under this warranty or you may exchange any RYOBI® power tool which does not work properly due to defective workmanship or materials by returning the power tool to the dealer from which it was purchased. To receive a replacement power tool or requested warranty service, you must present proof of purchase and return all original equipment packaged with the original product. The replacement power tool will be covered by the limited warranty for the balance of the two year period from the date of the original purchase.

WHAT THIS WARRANTY COVERS: This warranty covers all defects in workmanship or materials in your RYOBI® power tool for a period of two years from the date of purchase. With the exception of batteries, power tool accessories are warranted for ninety (90) days. Batteries are warranted for two years.

HOW TO GET SERVICE: Just return the power tool, properly packaged and postage prepaid, to an Authorized Service Center. You can obtain the location of the Service Center nearest you by contacting a service representative at One World Technologies, Inc., P.O. Box 1207, Anderson, SC 29622-1207, by calling 1-800-525-2579 or by logging on to www.ryobitools.com. When you request warranty service, you must also present proof of purchase documentation, which includes the date of purchase (for example, a bill of sale). We will repair any faulty workmanship, and either repair or replace any defective part, at our option. We will do so without any charge to you. We will complete the work in a reasonable time, but, in any case, within ninety (90) days or less.

WHAT'S NOT COVERED: This warranty applies only to the original purchaser at retail and may not be transferred. This warranty only covers defects arising under normal usage and does not cover any malfunction, failure or defects resulting from misuse, abuse, neglect, alteration, modification or repairs by other than Authorized Service Centers. One World Technologies, Inc. makes no warranties, representations or promises as to the quality or performance of its power tools other than those specifically stated in this warranty.

ADDITIONAL LIMITATIONS: Any implied warranties granted under state law, including warranties of merchantability or fitness for a particular purpose, are limited to two years from the date of purchase. One World Technologies, Inc. is not responsible for direct, indirect, or incidental damages, so the above limitations and exclusions may not apply to you. This warranty gives you specific legal rights, and you may also have other rights which vary from state to state.

GENERAL SAFETY RULES

IMPORTANT SAFETY INSTRUCTIONS

WARNING!

READ AND UNDERSTAND ALL INSTRUCTIONS. Failure to follow all instructions listed below, may result in electric shock, fire and/or serious personal injury.

WARNING!

When using electric appliances, basic precautions should always be followed, including the following:

- **Read all the instructions before using the appliance.**
- **To reduce the risk of injury, close supervision is necessary when an appliance is used near children.**
- **To reduce the risk of electrical shock, do not put spotlight or charger in water or other liquid.** Do not place or store appliance where it can fall or be pulled into a tub or sink.
- **Use only the charger supplied by the manufacturer to recharge.**
- **Use only recommended battery pack.** Any attempt to use another battery pack will cause damage to your spotlight and could possibly explode, cause a fire, or personal injury.

MODEL	BATTERY PACK	CHARGER
P715	(P104) (Li-Ion) 130429001	(P113) 140501001
	130429002	140501005
	(P100) (Ni-Cad) 130255004	(P110) 1423701
	130224028	140237021, 140237023

- **Remove battery pack from spotlight before replacing bulb or performing any routine maintenance or cleaning.** Replace bulb with same type rated H3 6V55W.
- **Do not disassemble the spotlight.**
- **Do not place spotlight or battery pack near fire or heat.** They may explode. Also, **do not** dispose of a worn out battery pack by incinerating. Do not incinerate the battery, even if it is severely damaged or completely worn out. The battery may explode in fire.
- **Do not operate spotlight or charger near flammable liquids or in gaseous or explosive atmospheres.** Internal sparks may ignite fumes.
- **Do not store your spotlight in a damp or wet location. Do not store in locations where the temperature is less than 50°F or more than 100°F.** Do not store in outside sheds or in vehicles.
- **Do not permit children to use spotlight unsupervised.** It is not a toy. The temperature of the bulb will become hot after being on for only a short period of time. This hot temperature can cause burn injury if touched and can create sufficient heat to melt some fabrics.

- **If wrapped or in contact with fabrics, the spotlight lens can produce sufficient heat to melt some fabrics.** To avoid serious personal injury, never allow the spotlight lens to come in contact with anything.
- **Keep light dry, clean, and free from oil and grease.** Always use a clean cloth when cleaning. Never use brake fluids, gasoline, petroleum-based products, or any strong solvent to clean the spotlight.
- **Don't expose spotlight to rain.** Water entering a power tool will increase the risk of electric shock or malfunction.
- **Do not overreach. Keep proper footing and balance at all times.** Proper footing and balance enable better control of the spotlight in unexpected situations. Do not use on a ladder or unstable support.
- **Do not leave the spotlight unattended while in the ON position.**

SPOTLIGHT USE AND CARE






- **This product is of household type.**
- **Store spotlight out of the reach of children and other untrained persons.** Spotlights are dangerous in the hands of untrained users.
- **Let spotlight cool for several minutes after use before changing the bulb.**
- **Do not use or permit use of spotlight in bed or sleeping bags.** This spotlight lens can melt fabric and a burn injury could result.

SAFETY RULES FOR BATTERY SPOTLIGHTS




- **Under extreme usage or temperature conditions, battery leakage may occur.** If liquid comes in contact with your skin, wash immediately with soap and water, then neutralize with lemon juice or vinegar. If liquid gets in your eyes, flush them with clean water for at least 10 minutes, then seek immediate medical attention.
- **Batteries vent hydrogen gas and can explode in the presence of a source of ignition, such as a pilot light.** To reduce the risk of serious personal injury, never use any cordless product in the presence of open flame. An exploded battery can propel debris and chemicals. If exposed, flush with water immediately.
- **Do not crush, drop or damage battery pack. Do not use a battery pack or charger that has been dropped or received a sharp blow.** A damaged battery is subject to explosion. Properly dispose of a dropped or damaged battery immediately. Failure to heed this warning can result in serious personal injury.
- **If the power supply cord is damaged,** it must be replaced only by the manufacturer or by an authorized service center to avoid risk.
- **Risk of burns-do not touch. Risk of fire-keep away from combustible materials.**
- **The lens gets very hot during use.** To reduce the risk of burns, do not touch hot lens. To reduce the risk of fire, keep away from combustible materials while in operation.
- **Do not shine spotlight into the eyes.**

SYMBOLS

Some of the following symbols may be used on this product. Please study them and learn their meaning. Proper interpretation of these symbols will allow you to operate the product better and safer.

SYMBOL	NAME	DESIGNATION/EXPLANATION
V	Volts	Voltage
A	Amperes	Current
min	Minutes	Time
~	Alternating Current	Type of current
—	Direct Current	Type or a characteristic of current
n_0	No Load Speed	Rotational speed, at no load
	Class II Construction	Double-insulated construction
.../min	Per Minute	Revolutions, strokes, surface speed, orbits etc., per minute
	Wet Conditions Alert	Do not expose to rain or use in damp locations.
	Read The Operator's Manual	To reduce the risk of injury, user must read and understand operator's manual before using this product.
	Safety Alert	Precautions that involve your safety.
	Hot Surfaces	To reduce the risk of injury or damage, avoid contact with any hot surface.

The following signal words and meanings are intended to explain the levels of risk associated with this product.

SYMBOL	SIGNAL	MEANING
	DANGER:	Indicates an imminently hazardous situation, which, if not avoided, will result in death or serious injury.
	WARNING:	Indicates a potentially hazardous situation, which, if not avoided, could result in death or serious injury.
	CAUTION:	Indicates a potentially hazardous situation, which, if not avoided, may result in minor or moderate injury.
	CAUTION:	(Without Safety Alert Symbol) Indicates a situation that may result in property damage.

WARNING:

To avoid serious personal injury, do not attempt to use this product until you read thoroughly and understand completely the Operator's Manual. If you do not understand the warnings and instructions in the Operator's Manual, do not use this product. Call Customer Service for assistance.

SAVE THESE INSTRUCTIONS

FEATURES

PRODUCT SPECIFICATIONS

Bulb6 V Halogen Weight 1.5 lbs.

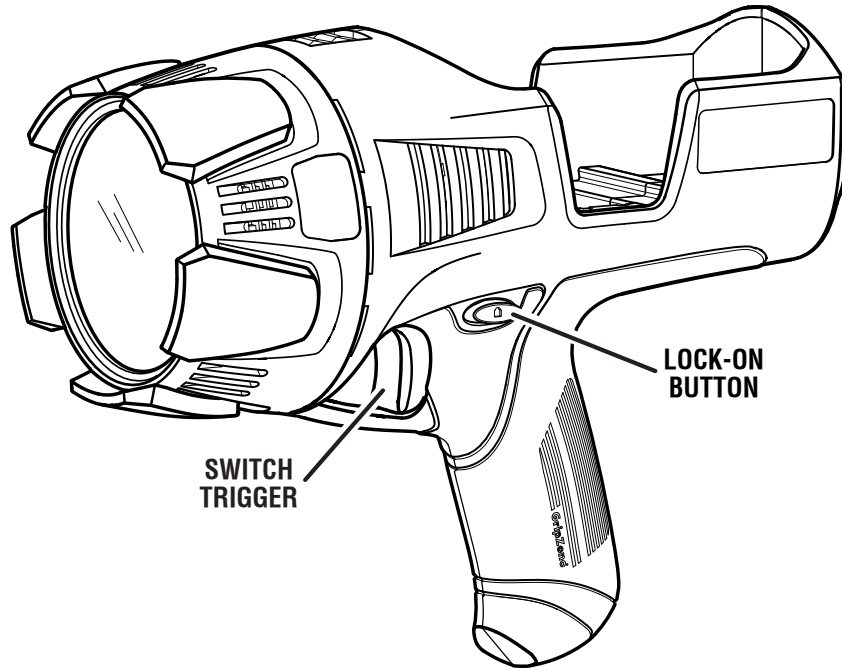


Fig. 1

KNOW YOUR SPOTLIGHT

See Figure 1.

The safe use of this product requires an understanding of the information on the product and in this operator's manual as well as a knowledge of the project you are attempting. Before use of this product, familiarize yourself with all operating features and safety rules.

LOCK-ON BUTTON

The lock-on button is convenient for continuous use for extended periods of time.

ASSEMBLY

UNPACKING

This product requires tag removal.

- Carefully remove the product and any accessories from the box. Make sure that all items listed in the packing list are included.
- Inspect the product carefully to make sure no breakage or damage occurred during shipping.
- Do not discard the packing material until you have carefully inspected and satisfactorily operated the product.
- If any parts are damaged or missing, please call 1-800-525-2579 for assistance.

PACKING LIST

Spotlight
Operator's Manual

WARNING:

If any parts are damaged or missing do not operate this product until the parts are replaced. Failure to heed this warning could result in serious personal injury.

ASSEMBLY

⚠ WARNING:

Do not attempt to modify this product or create accessories not recommended for use with this product. Any such alteration or modification is misuse and could result in a hazardous condition leading to possible serious personal injury.

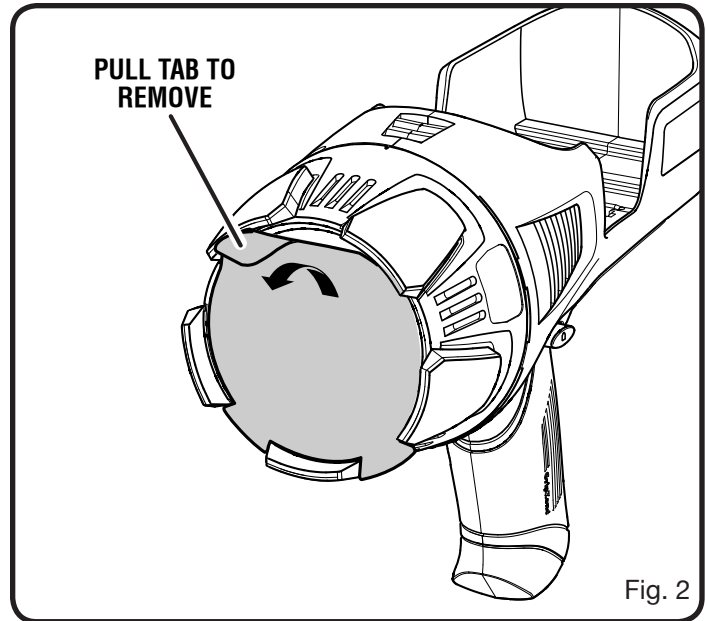
⚠ WARNING:

To prevent accidental starting that could cause serious personal injury, always remove the battery pack from the product when assembling parts.

REMOVING THE WARNING LABEL

See Figure 2.

The spotlight has a cling-type attached warning label on the lens. Remove this warning label before use as shown in figure 2.



OPERATION

⚠ WARNING:

Do not allow familiarity with products to make you careless. Remember that a careless fraction of a second is sufficient to inflict serious injury.

⚠ WARNING:

Do not use any attachments or accessories not recommended by the manufacturer of this product. The use of attachments or accessories not recommended can result in serious personal injury.

⚠ WARNING:

The lens gets very hot during use. To reduce the risk of burns, do not touch hot lens. To reduce the risk of fire, keep away from combustible materials while in operation.

CAUTION:

Operate in a well ventilated area. Do not block vents. Keep them clear to allow proper ventilation.

APPLICATIONS

You may use this product for the purpose listed below:

- To illuminate any areas requiring additional light
- To illuminate distant objects

This product will accept Ryobi One+ 18 V lithium-ion battery packs and Ryobi One+ 18 V nickel-cadmium battery packs. Both types of battery packs are shown on this page. Following pages will show the lithium-ion 18 V battery pack.

For complete charging instructions, refer to the operator's manual for the P113 or P110 charger. For battery pack instructions, see the manual for the P104 lithium-ion battery pack or the P100 nickel-cadmium battery pack.

OPERATION

TO INSTALL BATTERY PACK

See Figures 3 - 4.

- Place the switch trigger in the **OFF** position.
- Place the battery pack in the spotlight.
- Make sure the latches on each side of the battery pack snap in place and that battery pack is secured in the spotlight before beginning operation.

TO REMOVE BATTERY PACK

See Figures 3 - 4.

- Place the switch trigger in the **OFF** position.
- Locate latches on side of battery pack and depress both sides to release battery pack.
- Remove battery pack from the spotlight.

WARNING:

Battery tools are always in operating condition. Therefore, switch should always be in the **OFF** position when not in use or carrying at your side.

SWITCH TRIGGER

See Figure 4.

To turn the spotlight **ON**, depress and hold the switch trigger. To turn it **OFF**, release the switch trigger.

LOCK-ON BUTTON

See Figure 4.

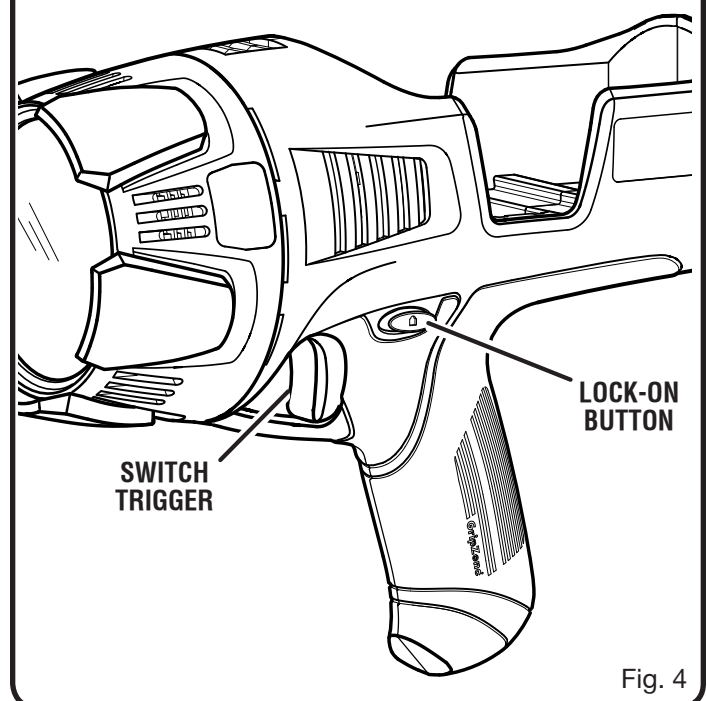
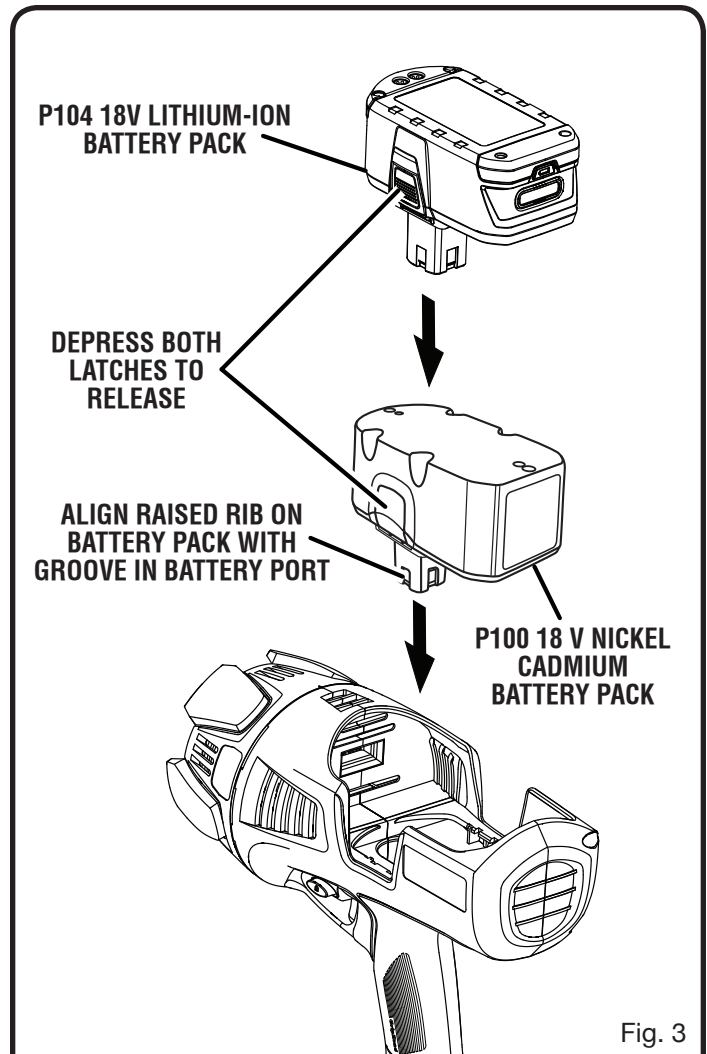
The spotlight is equipped with a lock-on feature, which is convenient for continuous use for extended periods of time.

To lock-on:

- Depress the switch trigger.
- Push in and hold the lock-on button, located on the side of the handle.
- Release the switch trigger.
- Release the lock-on button.
- To release the lock, depress and release the switch trigger.

WARNING:

Never leave the spotlight in the locked-on position and unattended. Failure to heed this warning could result in serious injury or property damage.



MAINTENANCE

⚠ WARNING:

When servicing, use only identical replacement parts. Use of any other parts may create a hazard or cause product damage.

⚠ WARNING:

To avoid serious personal injury, always remove the battery pack from the product when cleaning or performing any maintenance.

GENERAL MAINTENANCE

Avoid using solvents when cleaning plastic parts. Most plastics are susceptible to damage from various types of commercial solvents and may be damaged by their use. Use clean cloths to remove dirt, dust, oil, grease, etc.

⚠ WARNING:

Do not at any time let brake fluids, gasoline, petroleum-based products, penetrating oils, etc., come in contact with plastic parts. Chemicals can damage, weaken or destroy plastic which may result in serious personal injury.

Only the parts shown on the parts list are intended to be repaired or replaced by the customer. All other parts should be replaced at an Authorized Service Center.

REPLACING BULBS

See Figures 5 - 7.

Over time, the bulb will burn out. When this occurs, replacing the bulb will be necessary. Be careful not to touch the bulb glass. This will reduce the life of the bulb.

To replace a bulb:

- Remove battery from the spotlight and let it cool for at least 5 minutes.
- Turn the bezel counterclockwise to remove.
- Remove the reflector assembly from the spotlight housing. **Do not pull on the leads connected to the assembly.**
- Remove the white connection point from its nest in the housing.
- Remove the white connection terminal from its connection point.

NOTE: Do not pull white lead without holding the connection point, as this may damage lead.

- Remove the retainer pin from the reflector and remove bulb assembly. Bulb assembly may be rotated in reflector if needed to aid in removal.

- Install new bulb assembly.
- Replace bulb retainer pin.
- Hold white connection terminal and reconnect white lead.
- Return the white connection point to its nest.
- Align tabs on each side of lens seal with notches on spotlight housing and seat lens seal in place.
- Reattach bezel carefully by rotating clockwise.
- Tighten securely.

NOTE: Always ask for replacement bulb H3 6V55W, number 019020001007.

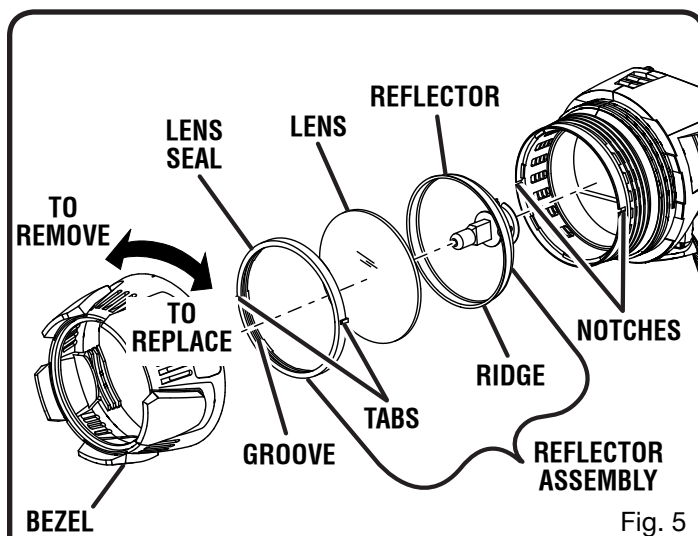


Fig. 5

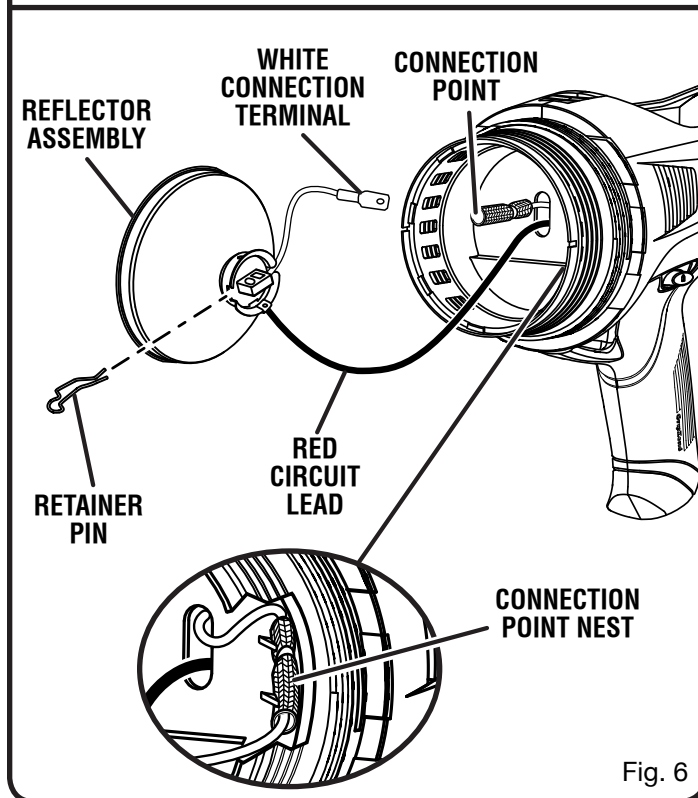


Fig. 6

MAINTENANCE

CAUTION:

Do not use a higher rated fuse other than the specified amperage. This could cause damage to the product.

REPLACEMENT FUSE

See Figure 8.

If the spotlight blows its fuse, you will need to replace it. Look for replacement fuses where you purchased this product.

- Remove the battery pack from the spotlight to access fuse housing.
- Remove the current fuse and discard. Use a pair of fuse pullers if necessary.
- Use 10 amp JAT blade type automotive fuse to replace the blown fuse.

NOTE: Only use 10 amp JAT blade type automotive fuses for replacement. If second fuse blows, return to authorized service center for repair. Always ask for replacement fuse number 019020001013.

BATTERIES

This product will accept 18 V lithium-ion batteries or 18 V nickel-cadmium batteries. Length of service from each charging will depend on the type of work you are doing.

The batteries for this product have been designed to provide maximum trouble-free life. However, like all batteries, they will eventually wear out. Do not disassemble battery pack and attempt to replace the batteries. Handling of these batteries, especially when wearing rings and jewelry, could result in a serious burn.

To obtain the longest possible battery life, we suggest the following:

For lithium-ion batteries:

- Remove the battery pack from the charger once it is fully charged and ready for use.

For battery pack storage longer than 30 days:

- Store the battery pack where the temperature is below 80°F and away from moisture.
- Store battery packs in a 30%-50% charged condition.
- Every six months of storage, charge the pack as normal.

For nickel-cadmium batteries:

- Remove the battery pack from the charger once it is fully charged and ready for use.

For battery pack storage longer than 30 days:

- Store the battery pack where the temperature is below 80°F.
- Store battery packs in a “discharged” condition.

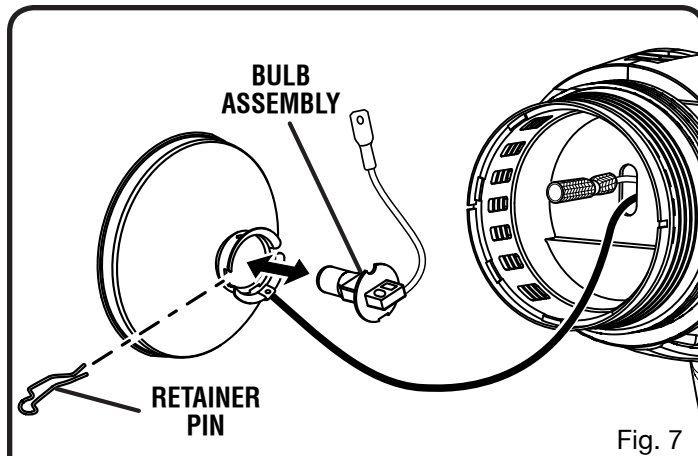


Fig. 7

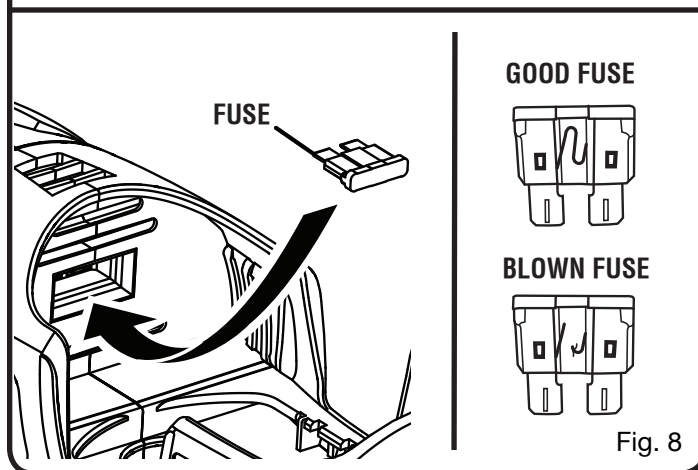


Fig. 8

BATTERY PACK REMOVAL AND PREPARATION FOR RECYCLING



To preserve natural resources, please recycle or dispose of batteries properly.

This product uses nickel-cadmium and lithium-ion batteries. Local, state or federal laws may prohibit disposal of batteries in ordinary trash.

Consult your local waste authority for information regarding available recycling and/or disposal options.

WARNING:

Upon removal, cover the battery pack's terminals with heavy-duty adhesive tape. Do not attempt to destroy or disassemble battery pack or remove any of its components. Lithium-ion and nickel-cadmium batteries must be recycled or disposed of properly. Also, never touch both terminals with metal objects and/or body parts as short circuit may result. Keep away from children. Failure to comply with these warnings could result in fire and/or serious injury.

Free Manuals Download Website

<http://myh66.com>

<http://usermanuals.us>

<http://www.somanuals.com>

<http://www.4manuals.cc>

<http://www.manual-lib.com>

<http://www.404manual.com>

<http://www.luxmanual.com>

<http://aubethermostatmanual.com>

Golf course search by state

<http://golfingnear.com>

Email search by domain

<http://emailbydomain.com>

Auto manuals search

<http://auto.somanuals.com>

TV manuals search

<http://tv.somanuals.com>