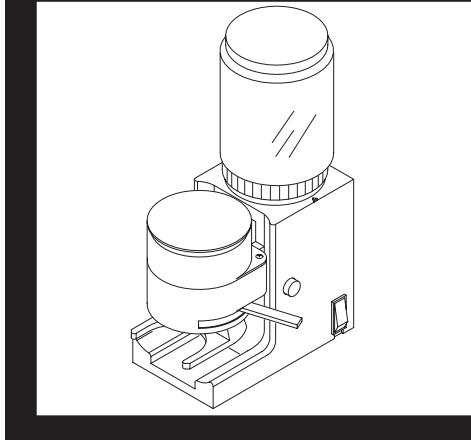


# **TYPE MAC 2002**



## **OPERATING INSTRUCTIONS**

**FOR YOUR SAFETY CAREFULLY READ THE OPERATING INSTRUCTIONS.**

**FOR HOUSEHOLD USE ONLY**

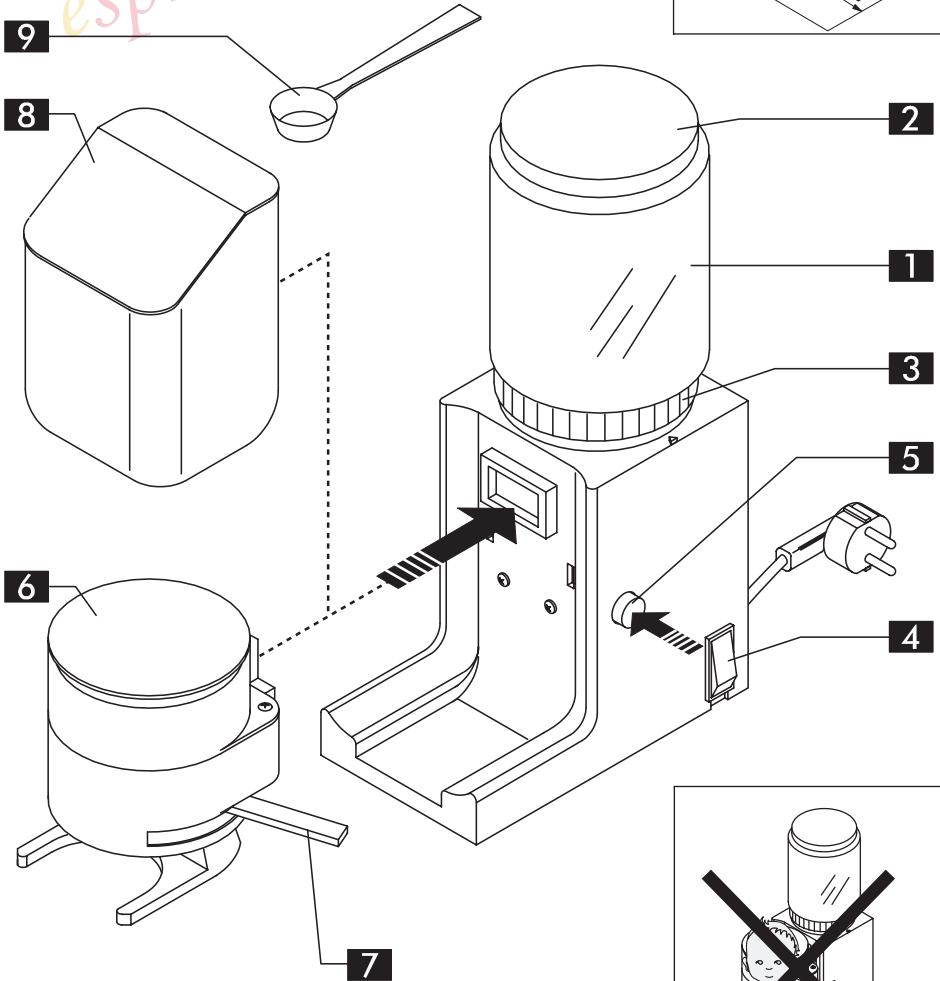
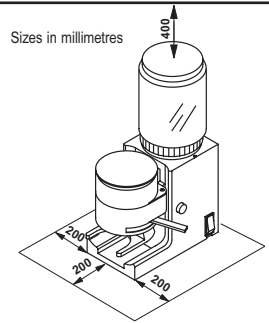
Download from [Www.Somanuals.com](http://www.Somanuals.com). All Manuals Search And Download.



Congratulations,

Congratulations on choosing this top-quality coffee grinder and many thanks for your confidence in our products. Before operating the machine, we recommend you read the following instructions thoroughly which explain how to use, clean and maintain the machine. For any other information, please contact the leader or our company directly. We will be glad to provide you with any explanations you may need.

courtesy of  
**espressotec**  
Sales & Service.



## Contents

<b>1 GENERAL</b> .....	<b>10</b>	<b>6 DOSING COFFEE</b> .....	<b>13</b>
1.1 Instruction key .....	10	6.1 With doser .....	13
1.2 Proper usage of Use and Care Manual .....	10	6.2 With ground coffee container and coffee measuring scoop .....	13
<b>2 TECHNICAL SPECIFICATIONS</b> .....	<b>11</b>	<b>7 ADJUSTING THE COFFEE GRINDER</b> .....	<b>13</b>
<b>3 IMPORTANT SAFETY INSTRUCTIONS</b> .....	<b>11</b>	<b>8 REMOVING THE GROUND COFFEE CONTAINER OR DOSER</b> .....	<b>13</b>
<b>4 FIRST-TIME USE</b> .....	<b>12</b>	<b>9 COFFEE RECOMMENDATION</b> .....	<b>13</b>
4.1 Packing material .....	12	<b>10 CLEANING</b> .....	<b>13</b>
4.2 Installation safety instructions .....	12	<b>11 SERVICE</b> .....	<b>13</b>
4.3 Power supply .....	12	<b>12 NOTICE TO THE CONSUMER</b> .....	<b>14</b>
4.4 Connection to power supply .....	12	<b>13 DISPOSAL</b> .....	<b>14</b>
4.5 Filling coffee bean hopper .....	12	<b>14 TROUBLESHOOTING</b> .....	<b>14</b>
<b>5 GRINDING COFFEE</b> .....	<b>13</b>		

## 1 GENERAL

The grinder is intended for personal consumer use only and is not intended for commercial or professional use.



**Modifications and misuse strictly are prohibited and are dangerous. Unauthorized modifications and use of non-recommended accessories are prohibited and shall void manufacturer warranty of the product.**

### 1.1 Instruction key

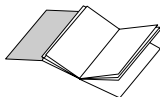


Please carefully read all instructions and information in this Use and Care Manual and any other literature included in this carton referring to this product before operation or using the appliance.

**Basic safety precautions should always be followed. The warning triangle notes all important safety instructions and strictly should be followed to reduce the risk of fire, electric shock, and/or injury.**

### **B**

Numbers and letters will be used to reference the appliance and its operation.



Refer to the reference drawing on the inside cover of the Use and Care Manual. Open the page for easy reference while reading the instructions.

### 1.2 Proper usage of Use and Care Manual

**Retain the Use and Care Manual for future reference and ensure that other users of the appliance are familiar with it.**

For further information or clarification of these instructions, contact an authorized service facility.

## 2 TECHNICAL SPECIFICATIONS

Voltage	Refer to data plate on appliance
Power consumption	Refer to data plate on appliance
Housing material	Thermoplastic
Dimensions (lx w x h)	100 x 300 x 190
Weight	2 ½ kg
Power cord length	1.2 meter
Operation control	side
Power source	Refer to data plate on appliance

The manufacturer reserves the right to make changes to specifications and design without notice.

The appliance conforms to European Directive 89/336/CEE (legislative degree 476 dated 04/12/92) determining the radio interference standard.

## 3 IMPORTANT SAFETY INSTRUCTIONS



**Electric shock can kill.**

**Do not immerse cord, plug, or appliance in water or other liquid.**

The grinder is intended for personal consumer use only. Modifications and misuse strictly are prohibited and are dangerous.



**Any person not familiar with the Use and Care Manual, children, any person under the influence of alcohol, drugs, or medication may not operate the appliance.**

Although the grinder has been designed for safe operation, attention must be taken when using the grinder because it contains moving mechanical parts.

### Power supply

Do not touch live electrical components. This can result in electric shock. Electric shock can cause serious injury or death.

Connect the appliance only to an electric power source that corresponds to the voltage indicated on the appliance data plate.

### Power cord

Do not operate the appliance with a damaged cord or plug.

A defective cord or plug immediately must be replaced by an authorized service facility.

Do not let cord touch any hot surface.

Avoid contact of cord with oil.

Do not carry or pull the appliance by the cord.

Do not pull the plug or cord from the receptacle with damp or wet hands.

Do not let cord hang over edge of table or counter.

### Safety of other persons

Do not permit children to play with the appliance. Children do not understand the danger that an electric shock could result.

### Placement of the grinder

The appliance must be placed on flat, stable surface to avoid overturning the appliance or injuring a person. Select a location that has sufficient light, is clean, and is close to an electrical receptacle.

Do not use outdoors.

Do not place on a hot surface, on or near a hot gas or electric burner, or in a heated oven. Maintain a distance from any wall or other object as illustrated.

### Cleaning

Before cleaning the coffee grinder, always turn off and unplug the appliance from the receptacle.

Do not place or submerge the coffee maker in water or other liquid.

Do not force open the coffee grinder, and do not open the housing of the grinder.

### Storage

When not needed, turn off appliance and disconnect the plug from the power source.

Store the grinder in a place that is not accessible to children.

### Service

If the grinder malfunctions, or is defective, or damage is suspected, immediately disconnect the plug.

Do not operate a defective appliance.

Do not force open the grinder and do not open the housing of the grinder.

Repair only should be done by an authorized Saeco service facility.

The manufacturer shall not be liable for any consequential damages after non-authorized repair.

### Fire prevention

In case of fire, use carbon dioxide (CO<sub>2</sub>) extinguishers only. Do not use water or powder extinguishers.

### Controls and features

- 1** Coffee bean hopper
- 2** Lid, bean hopper
- 3** Grind adjustment ring
- 4** On/off switch
- 5** Release button for ground coffee container
- 6** Doser
- 7** Doser lever
- 8** Ground coffee container

### Accessories

- 9** Coffee measuring scoop

## 4 FIRST-TIME USE

Carefully unpack your grinder being certain to remove all literature and packing material.

**For personal safety and the safety of others,**

**observe the Important Safety Instructions in section 3.**

### 4.1 Packing material

The original packing was designed to protect the coffee grinder during shipment.

Save the carton and packing material in case you need to return your appliance for service.

### 4.2 Installation safety instructions

Observe the following safety instructions:

- Place the appliance on a flat, stable surface.
- Ensure that the coffee grinder is not accessible to children.
- Do not place the grinder on a hot surface, or near a gas or electric range.

The grinder is not ready for connection to the power supply.

### 4.3 Power supply



**Electric shock can kill. Do not immerse cord, plug, or appliance in water or other liquid.**

Do not touch live electrical components. This can result in electric shock. Electric shock can cause serious injury or death.

Connect the appliance only to an electric power source that corresponds to the voltage indicated on the appliance data plate.

### 4.4 Connection to power supply

- Before connecting to the power supply, ensure that the On/Off switch is in the "O" position.
- Connect power cord plug to the receptacle.

### 4.5 Filling coffee bean hopper



**Warning!**  
Ensure that the On/Off switch (4) is in the "O" position before when filling the coffee bean hopper with coffee beans.

- Using light pressure, set coffee bean hopper into position on grinder.
- Remove lid (2).
- After ensuring that hopper is clean, fill with fresh coffee beans.
- Replace lid (2) onto hopper.

## 5 GRINDING COFFEE

- Press On/Off switch (4) to position "1".
- Allow ground coffee container to fill to desired level with ground coffee.
- Press On/Off switch (4) back to position "O" to stop grinding.

## 6 DOSING COFFEE



**Warning!** Ensure that the On/Off switch (4) is in the "O" position when dosing ground coffee.

Do not dose ground coffee with the filter basket provided with an espresso machine.

### 6.1 With doser

- Place handle containing filter basket into position provided beneath doser.
- Rotate doser level clockwise until a complete turn is made, when a clicking noise will be heard.
- Return lever to original position.
- Repeat action if an additional dose is desired.

### 6.2 With ground coffee container and coffee measuring scoop

- Open lid of ground coffee container.
- Fill coffee measuring scoop with one level measure of ground coffee and add coffee to filter basket in handle.
- Repeat action if an additional dose is desired.

## 7 ADJUSTING THE COFFEE GRINDER

The quality and taste of brewed coffee depend not only on the type of coffee but on the grind, too.



**Warning!** The grind setting should be adjusted only when the grinder is operating.

The grind setting can be adjusted as follows:  
For a finer grind, turn the grind adjustment ring clockwise. For a coarse grind, turn counterclockwise. It is recommended that the ground coffee container be empty before changing the grind setting. Do not brew coffee with non-uniformly ground coffee.

## 8 REMOVING THE GROUND COFFEE CONTAINER OR DOSER

- The container or doser may be removed for cleaning while pressing the release button (5) and gently pulling from grinder.
- Replace container or doser while pressing the button.

## 9 COFFEE RECOMMENDATION

In general, the grinder may be used with all coffee varieties found on the market. Coffee is, however, a natural product characterized by many varieties, roasts, and blends. Continue trying different types until one is found meeting personal tastes.

For espresso, it is recommended to use a blend formulated especially for espresso machines.

When making espresso, the coffee should flow from the machine in a steady, slow stream with a golden-brown color. The flow can be altered by slightly changing the dose, the grind, and the pressure used to tamp the coffee in the filter basket.

## 10 CLEANING

Always unplug the grinder before cleaning.

- Do not immerse cord, plug, or appliance in water or other liquid.
- Do not place in dishwasher.
- Do not use sharp objects or aggressive chemical products for cleaning.
- Clean grinder daily.
- Cleaning using soft, damp cloth.
- Do not dry grinder or its components using a microwave oven or conventional oven.

## 11 SERVICE

If the grinder malfunctions, or is defective, or damage is suspected, immediately disconnect the plug.

Do not operate a defective appliance.

Do not force open the grinder, and do not open the housing of the grinder.

Repair only should be done by an authorized Saeco service facility.

The manufacturer shall not be liable for any consequential damages after non-authorized repair.

## 12 NOTICE TO THE CONSUMER

- This Use and Care Manual contains information for the proper and safe use, operation, and maintenance of the appliance.
- Information and instructions contained herein are provided to ensure safe during operation and maintenance of the appliance, in accordance with safety requirements.
- For further information or clarification of these instructions, or if particular problem has arisen not covered by these instructions, contact an authorized service facility or the manufacturer.
- Please refer to the warranty card supplied with the grinder.

## 13 DISPOSAL

- Ensure that worn-out appliance are inoperable.
- Unplug the grinder from the receptacle and cut off the power cord.
- Properly dispose according to local code.

## 14 TROUBLESHOOTING

Faults	Possible causes	Remedies
Coffee grinder does not operate	The power cord plug is disconnected from the power source	Connect the power cord plug to the receptacle
The quality of brewed ground coffee is unsatisfactory	The grind setting is either too fine or too coarse	Adjust the grind by turning the grind adjustment ring (3)
	The type of coffee is not appropriate	Change variety of coffee
The doser is blocked	The doser is not clean	Remove Doser and clean



## Free Manuals Download Website

<http://myh66.com>

<http://usermanuals.us>

<http://www.somanuals.com>

<http://www.4manuals.cc>

<http://www.manual-lib.com>

<http://www.404manual.com>

<http://www.luxmanual.com>

<http://aubethermostatmanual.com>

Golf course search by state

<http://golfingnear.com>

Email search by domain

<http://emailbydomain.com>

Auto manuals search

<http://auto.somanuals.com>

TV manuals search

<http://tv.somanuals.com>