

MAXIM®



Cool-Edge Griddle

Use and Care Guide

MAXGW1

READ AND SAVE THESE INSTRUCTIONS

WARNING: A risk of fire and electrical shock exists in all electrical appliances and may cause personal injury or death. Please follow all safety instructions.

IMPORTANT SAFEGUARDS

When using electrical appliances, basic safety precautions should always be followed, including the following.

- Read all instructions before using appliance.
- Do not touch hot surfaces. Use handles or knobs.
- To protect against electric shock, do not immerse probe, cord or plug in water or other liquids. See Cleaning Instructions.
- This appliance is not for use by children.
- Close supervision is necessary when this appliance is used near children.
- Do not leave appliance unattended while in use.
- Unplug from outlet when not in use and before cleaning. Allow to cool before putting on or taking off parts, and before cleaning the appliance.
- Always attach probe to Griddle before plugging cord into wall outlet. To disconnect, turn temperature control knob to OFF, then remove plug from wall outlet.
- Do not operate any damaged appliance. Do not operate with a damaged cord or plug, or after the appliance malfunctions, or has been dropped or damaged in any manner. Contact Salton Consumer Service for return authorization, examination, repair or adjustment.
- The use of accessory attachments not recommended by the appliance manufacturer may cause injuries.
- Do not use outdoors or while standing in a damp area.
- Do not let cord hang over edge of table or counter, or touch hot surfaces.
- Do not place on or near a hot gas or electric burner or in a heated oven.
- Extreme caution must be used when moving an appliance containing hot oil or other hot liquids.

IMPORTANT SAFEGUARDS *(Con't.)*

- When using this appliance, provide 4 to 6 inches air space on all sides for air circulation. Do not use on surfaces where heat may cause a problem.
- Use extreme caution when disposing of hot grease.
- Do not place drip tray on top of hot Griddle surface.
- Do not use appliance for other than its intended use.
- CAUTION: Hot Surfaces.

SAVE THESE INSTRUCTIONS

CAUTION: A short power supply cord is provided to reduce the risk of personal injury resulting from becoming entangled in or tripping over a longer cord. Extension cords are available from local hardware stores and may be used if care is exercised in their use. If an extension cord is required, special care and caution is necessary. The cord must also be: (1) marked with an electrical rating of 125 V. and at least 10 A., 1250 W., and (2) arranged so that it will not drape over the countertop or tabletop where it can be pulled on by children or tripped over accidentally.

POLARIZED PLUG: This appliance has a polarized plug (one blade is wider than the other). As a safety feature to reduce the risk of electrical shock, this plug is intended to fit in a polarized outlet only one way. If the plug does not fit fully in the outlet, reverse the plug. If it still does not fit, contact a qualified electrician. Do not attempt to defeat this safety feature.

ELECTRIC POWER: If the electric circuit is overloaded with other appliances, your appliance may not operate properly. It should be operated on a separate electrical circuit from other appliances.

PLASTICIZER WARNING

CAUTION: To prevent Plasticizers from migrating from the finish of the counter top or table top or other furniture, place **NON-PLASTIC** coasters or place mats between the appliance and the finish of the counter top or table top.

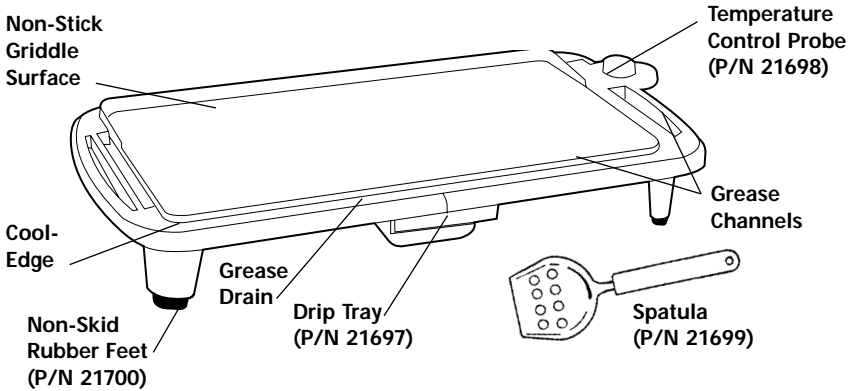
Failure to do so may cause the finish to darken, permanent blemishes may occur or stains can appear.

This product is for household use only.

MAXIM®

Using Your Cool-Edge Griddle

PRODUCT MAY VARY SLIGHTLY FROM ILLUSTRATIONS



1. Before first use, see Cleaning Instructions and Hints For Care and Use of Non-Stick Surface.
2. Insert drip tray into rails under Griddle, positioned directly under the grease drain.
3. Turn temperature control knob on probe to OFF position and attach securely in place.
4. Coat the non-stick surface with vegetable shortening before heating. If necessary, remove excess oil with paper towel.
Plug into 120V AC outlet. Align the pointer to the proper temperature on temperature control knob. The light on the probe will illuminate. The unit is preheated when the light on the probe goes off. The light will cycle on and off during use, indicating the proper temperature is being maintained.
5. When cooking is finished, turn temperature control knob on control probe to OFF position, unplug from outlet and cool before cleaning.

■ CAUTION: Because some countertop finishes are more affected by heat than others, use care not to place Griddle on surfaces where heat may cause a problem.

■ CAUTION: Griddle surfaces are hot during use.

Hints For Care and Use of Non-Stick Surface

- To avoid scratching the non-stick surface, do not stack objects on Griddle.
- Use medium to low heat for best cooking results. Very high temperatures can cause discoloration and shorten the life span of any non-stick surface. If higher temperatures are necessary, preheat on medium for a few minutes.
- Use only nylon, plastic, or wooden utensils with care to avoid scratching the non-stick surface. Never cut food on the Griddle.
- Remove stubborn stains with a plastic scouring pad and mild dish washing liquid; DO NOT USE STEEL WOOL.

Temperature Control Probe

Use only the temperature control probe (P/N 21698) supplied with this product. Using any other type of temperature control probe may cause fire, electric shock, or injury.



Time/Temperature Chart

FOOD	TEMPERATURE (Preheat)	TIME (Minutes)	DIRECTIONS
Bacon	325°	8-14	DO NOT PREHEAT. Turn often.
Sausage	325°	20-30	DO NOT PREHEAT. Turn often.
French Toast	350°	6-10	Turn halfway into cooking time.
Hamburger	350°	3-14	Turn halfway into cooking time.
Ham Slices	350°	14-18	Turn halfway into cooking time.
Sandwiches	350°	6-10	Butter outside and brown both sides.
Pork Chops	350°	20-30	Brown both sides then reduce temperature to 225°. Turn halfway into cooking time.
Steaks	400° rare	4-6	Turn halfway into cooking time.
	400° med.	7-12	Turn halfway into cooking time.
	400° well	13-18	Turn halfway into cooking time.
Pancakes	400°	2-6	Pour batter onto Griddle. When bubbles appear on top side turn.

User Maintenance Instructions

This appliance requires little maintenance. It contains no user serviceable parts. Do not try to repair it yourself. Contact a qualified appliance repair technician if the product requires servicing.

Cleaning Instructions

NOTE: This appliance is not dishwasher safe. No parts should be placed in an automatic dishwasher.

1. Unplug and allow to cool before cleaning or moving.
2. Remove probe (DO NOT IMMERSE PROBE IN WATER), wipe with a damp cloth and dry thoroughly.
3. Remove drip tray; empty contents. Wash Griddle and drip tray in soapy water; rinse and dry thoroughly.

A plastic pad with mild abrasive cleanser may be used to clean underside of Griddle.

CAUTION: Probe and probe receptacle must always be completely dry before use.

LIMITED ONE YEAR WARRANTY

Warranty: This Maxim product is warranted by Salton, Inc. to be free from defects in materials or workmanship for a period of (1) year from the original purchase date. This product warranty covers only the original consumer purchaser of the product.

Warranty Coverage: This warranty is void if the product has been damaged by accident in shipment, unreasonable use, misuse, neglect, improper service, commercial use, repairs by unauthorized personnel, normal wear and tear, improper assembly, installation or maintenance abuse or other causes not arising out of defects in materials or workmanship. This warranty is effective only if the product is purchased and operated in the USA, and does not extend to any units which have been used in violation of written instructions furnished with the product or to units which have been altered or modified or to damage to products or parts thereof which have had the serial number removed, altered, defaced or rendered illegible.

Implied Warranties: ANY IMPLIED WARRANTIES WHICH THE PURCHASER MAY HAVE ARE LIMITED IN DURATION TO ONE (1) YEAR FROM THE DATE OF PURCHASE. Some states do not allow limitations on how long an implied warranty lasts, so the above limitation may not apply to you.

Warranty Performance: During the above one-year warranty period, a product with a defect will be either repaired or replaced with a reconditioned comparable model (at our option) when the product is returned to the Repair Center, or the purchase price refunded. The repaired or replacement product will be in warranty for the balance of the one-year warranty period and an additional one-month period. No charge will be made for such repair or replacement.

Service and Repair: Should the appliance malfunction, you should first call toll-free 1 (800) 233-9054 between the hours of 9:00 am and 5:00 pm Central Standard Time and ask for CONSUMER SERVICE stating that you are a consumer with a problem. Please refer to model number **MAXGW1** when you call.

In-Warranty Service (USA): For an appliance covered under the warranty period, no charge is made for service or postage. Call for return authorization (1 800 233-9054).

Out-of Warranty Service: A flat rate charge by model is made for out-of-warranty service. Include \$10.00 (U.S.) for return shipping and handling. We will notify you by mail of the amount of the charge for service and require you to pay in advance for the repair or replacement.

For Products Purchased in the USA, but Used in Canada: You may return the product insured, packaged with sufficient protection, and postage and insurance prepaid to the USA address listed below. Please note that all customs duty / brokerage fees, if any, must be paid by you and we will require you to pay the cost of customs duty / brokerage fees to us in advance of our performing any service.

Risk During Shipment: We cannot assume responsibility for loss or damage during incoming shipment. For your protection, carefully package the product for shipment and insure it with the carrier. Be sure to enclose the following items with your appliance: any accessories related to your problem, your full return address and daytime phone number, a note describing the problem you experienced, a copy of your sales receipt or other proof of purchase to determine warranty status. C.O.D. shipments cannot be accepted.

To return the appliance, ship to:

Attn: Repair Center Salton, Inc.
708 South Missouri Street
Macon, MO 63552

To contact us, please write to, call, or email:

Salton, Inc.
P.O. Box 6916
Columbia, MO 65205-6916
1(800) 233-9054
Email: Salton@Saltonusa.com

Limitation of Remedies: No representative or person is authorized to assume for Salton, Inc. any other liability in connection with the sale of our products. There shall be no claims for defects or failure of performance or product failure under any theory of tort, contract or commercial law including, but not limited to negligence, gross negligence, strict liability, breach of warranty and breach of contract. Repair, replacement or refund shall be the sole remedy of the purchaser under this warranty, and in no event shall Salton be liable for any incidental or consequential damages, losses or expenses. Some states do not allow the exclusion or limitation of incidental or consequential damages, so the above limitation or exclusion may not apply to you.

Legal Rights: This warranty gives you specific legal rights, and you may also have other rights which vary from state to state.

For more information on Salton products:

Visit our website: www.salton-maxim.com

© 2002 Salton, Inc.
All Rights Reserved

P/N 60942
Printed in China

MAXIM[®]



Plancha con Borde Frío al Tacto

Guía de Uso y Cuidados

MAXGW1

- Borde frío al tacto.
- Bandeja de goteo deslizante.
- Sus exclusivas orillas de reposo facilitan el sacado de los alimentos
- Control de temperatura ajustable desde 65°C a 204°C.
- Completamente sumergible al remover la sonda.
- Incluye espátula extra.

LEA Y GUARDE ESTAS INSTRUCCIONES

ADVERTENCIA: Todos los electrodomésticos presentan riesgo de incendio y electrocución y pueden causar lesiones personales o incluso la muerte. Por favor siga todas las instrucciones de seguridad.

MEDIDAS DE SEGURIDAD IMPORTANTES

Cuando se utilicen electrodomésticos, siempre siga las precauciones de seguridad básicas, incluyendo las siguientes.

- Lea todas las instrucciones antes de utilizar el aparato.
- No toque las superficies calientes. Utilice asas o perillas.
- Para evitar una descarga eléctrica, no sumerja la sonda, el cable o la clavija en agua o en otro líquido. Vea las Instrucciones de Limpieza.
- Este aparato no debe ser usado por niños.
- Es necesario ejercer una estricta supervisión cuando el aparato se utilice cerca de los niños.
- No deje el aparato sin atención mientras está en uso.
- Desenchufe del tomacorriente cuando no esté en uso y antes de la limpieza. Permita que el aparato se enfríe antes de quitarle o ponerle piezas y antes de limpiarlo.
- Siempre conecte la sonda a la Plancha antes de conectar el cable al tomacorriente. Para desconectar, gire la perilla de control de temperatura a la posición de "OFF" (Apagado), después desenchufe la clavija del tomacorriente.
- No opere ningún aparato dañado. No lo opere con un cable o clavija dañada o después de que funcione mal o si se ha dejado caer o ha resultado dañado de alguna manera. Contacte al departamento de Servicio al Consumidor de Salton para una autorización de devolución, inspección, reparación o ajuste.
- El uso de accesorios no recomendados por el fabricante puede causar lesiones.



- No se utilice en exteriores o mientras se encuentre en un área húmeda.
- No permita que el cable cuelgue sobre el borde de la mesa ni que toque superficies calientes.
- No coloque sobre o cerca de quemadores de gas o eléctricos o en un horno caliente.
- Es necesario que ejerza un cuidado extremo durante el traslado de un aparato que contenga aceite u otros líquidos calientes.
- Cuando utilice este aparato, deje un espacio de 10 a 15 cm alrededor para permitir la circulación de aire. No utilice en superficies donde el calor pueda provocar un problema.
- Tenga mucho cuidado al desechar la grasa caliente.
- No coloque la bandeja de goteo encima de la superficie caliente de la Plancha.
- No utilice el aparato para un uso diferente al especificado.
- PRECAUCION : Superficies Calientes.

GUARDE ESTAS INSTRUCCIONES

PRECAUCION : Se incluye un cable eléctrico corto para reducir el riesgo de lesiones personales resultantes de enredarse o tropezar con un cable eléctrico demasiado largo. Puede conseguir cables de extensión en las ferreterías de su localidad, y pueden ser usados si se ejercen las precauciones debidas. Si se requiere utilizar un cable de extensión, es necesario tomar especial cuidado y precaución. Además, el cable deberá: (1) estar marcado con un grado eléctrico de al menos 125 V y por lo menos 10 A, 1.250 W y (2) deberá colocarse de tal forma que no cuelgue sobre la superficie de la mesa, donde los niños puedan jalarlo o alguien se pueda tropezar accidentalmente.

CLAVIJA POLARIZADA: Este aparato posee una clavija polarizada (una de sus patas es más ancha que la otra). Como una medida de seguridad para reducir el riesgo de descargas eléctricas, esta clavija está diseñada para conectarse solamente de una manera en un tomacorriente polarizado. Si la clavija no se conecta completamente en el tomacorriente, inviértala. Si aún no conecta bien, contacte un electricista calificado. No intente alterar esta medida de seguridad.

CORRIENTE ELECTRICA: Si el circuito eléctrico está sobrecargado con otros aparatos eléctricos, su aparato puede no funcionar debidamente. Este deberá ser operado en un circuito eléctrico separado del resto de los demás electrodomésticos.

ADVERTENCIA PARA PLASTIFICANTES

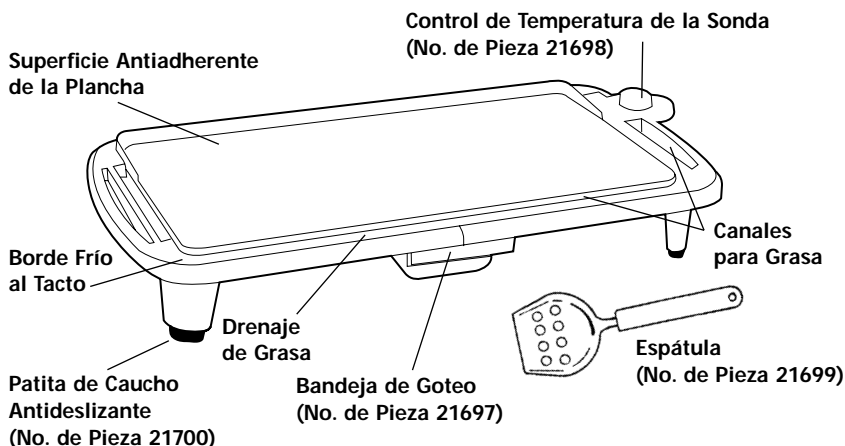
PRECAUCION: Para prevenir que los plastificantes del acabado de las mesas u otros muebles se dañen, coloque posavasos **NO-PLASTICOS** o tapetes entre el electrodoméstico el acabado de la mesa u otros muebles.

El no seguir esta recomendación puede causar que el acabado se oscurezca o que aparezcan manchas o imperfecciones permanentes.

Este producto es para uso doméstico solamente.

Utilizando Su Plancha de Borde Frío al Tacto

El producto puede variar ligeramente en relación con las ilustraciones.



1. Antes de usarla por primera vez, vea las Instrucciones de Limpieza y las Sugerencias para el Cuidado y Uso de una Superficie Antiadherente.
2. Inserte la bandeja de goteo dentro de los rieles debajo de la Plancha, exactamente abajo del drenaje de grasa.
3. Gire la perilla de control de temperatura de la sonda a la posición de "OFF" (Apagado) y fijela asegurándola en su lugar.

MAXIM®

4. Cubra la superficie antiadherente con manteca vegetal antes de calentar. Si es necesario, quite el exceso de grasa con una toalla de papel.

Enchufe en un tomacorriente de 120 V ca. Alinee el indicador del control de temperatura a la temperatura deseada. La luz de la sonda se encenderá. La unidad estará precalentada cuando la luz de la sonda se apague. La luz se encenderá y apagará durante su uso indicando que la temperatura adecuada está siendo mantenida.

5. Cuando termine de cocinar, gire la perilla del control de temperatura de la sonda a "OFF" (Apagado), desconéctela y déjela enfriar antes de limpiarla.

PRECAUCION: Debido a que algunas superficies son menos resistentes al calor que otras, tenga precaución de no colocar la Plancha sobre las superficies que se puedan dañar con el calor.

PRECAUCION: Las superficies de la Plancha están calientes durante su uso.

Sugerencias para el Cuidado y Uso de una Superficie Antiadherente

- Para evitar rayar la superficie antiadherente, no coloque objetos sobre la Plancha.
- Use una temperatura media a baja para mejores resultados. Las temperaturas muy altas pueden causar decoloración y acortar la vida útil de cualquier superficie antiadherente. Si necesita temperaturas más altas, precaliéntela en temperatura media durante algunos minutos.
- Utilice solamente utensilios de nylon, plástico o madera para evitar rayar la superficie antiadherente. Nunca corte alimentos sobre la Plancha.
- Quite las manchas difíciles con un estropajo plástico y con un detergente líquido suave para lavar platos, **NO USE ESTROPAJOS DE ACERO.**

Sonda de Control de Temperatura

Use solamente la sonda de control de temperatura (No. Pieza 21698) provista con éste producto. El utilizar cualquier otro tipo de sonda de control de temperatura puede provocar un incendio, electrocución o lesión.

Tabla de Tiempo y Temperatura

ALIMENTO	TEMPERATURA (Precalentar)	TIEMPO (Minutos)	INSTRUCCIONES
Tocino	162°C	8-14	NO PRECALIENTE. Voltee con frecuencia.
Salchicha	162°C	20-30	NO PRECALIENTE. Voltee con frecuencia.
Pan Francés	176°C	6-10	Voltee a la mitad del tiempo de cocción.
Hamburguesa	176°C	3-14	Voltee a la mitad del tiempo de cocción.
Rebanadas de Jamón	176°C	14-18	Voltee a la mitad del tiempo de cocción.
Sándwiches	176°C	6-10	Unte con mantequilla ambos y dore ambos lados
Chuletas	176°C	20-30	Dore ambos lados luego reduzca la temperatura a 107°C. Voltee a la mitad del tiempo de cocción.
Bistec	204°C poco cocido	4-6	Voltee a la mitad del tiempo de cocción.
	204°C medio	7-12	Voltee a la mitad del tiempo de cocción.
	204°C bien cocido	13-18	Voltee a la mitad del tiempo de cocción.
Hotcakes	204°C	2-6	Vierta la mezcla sobre la Plancha. Voltee cuando se formen burbujas en la parte de arriba.

MAXIM®

Instrucciones de Mantenimiento

Este aparato requiere un mantenimiento mínimo. No contiene piezas reparables por el usuario. No intente repararlo usted mismo. Contacte un técnico en reparaciones calificado si el producto necesita ser reparado.

Instrucciones de Limpieza

■ **NOTA:** Este aparato no es lavable en lavaplatos automático. No debe colocar las piezas en un lavaplatos automático.

1. Desenchufe y deje enfriar antes de limpiarla o moverla.
2. Retire la sonda (NO SUMERJA LA SONDA EN AGUA), límpiela con un trapo húmedo y séquela completamente.
3. Retire la bandeja de goteo; vacíe el contenido. Lave la Plancha y la bandeja de goteo en agua jabonosa, enjuague y seque completamente.
4. Puede usar una esponja plástica con un limpiador poco abrasivo para limpiar la parte inferior de la Plancha.

■ **PRECAUCION:** Puede usar una esponja plástica con un limpiador poco abrasivo para limpiar la parte inferior de la Plancha.

GARANTIA LIMITADA DE UN AÑO

Garantía: Este producto Maxim® está garantizado por Salton, Inc. a estar libre de defectos en su material o fabricación por un período de un (1) año a partir de la fecha de compra original. La garantía de este producto solo cubre al comprador original del producto.

Cobertura de la Garantía: Esta garantía no es válida si el producto ha sido dañado accidentalmente durante su envío, uso irrazonable, maltrato, negligencia, reparación inadecuada, uso comercial, reparaciones por personal no autorizado, desgaste normal y deterioro, ensamblaje inadecuado, abuso de instalación o mantenimiento u otras causas que no se deban a defectos en su material o fabricación. Esta garantía es efectiva solo si el producto es adquirido y operado en los E.U.A. y no se extiende a las unidades que hayan sido utilizadas en violación a las instrucciones escritas provistas con el producto o a unidades que hayan sido alteradas o modificadas o a daños a productos o partes a las cuales se les haya removido, alterado o borrado el número de serie o se hayan entregado con éste ilegible.

Garantías Implícitas: CUALESQUIER GARANTIAS IMPLICITAS QUE EL CONSUMIDOR PUEDA TENER ESTAN LIMITADAS EN DURACION A UN (1) AÑO A PARTIR DE LA FECHA DE COMPRA. Algunos estados no permiten limitaciones en la duración de una garantía implícita por lo que la limitación anterior puede no ser aplicable en su caso.

Ejecución de la Garantía: Durante el periodo de garantía de un año antes mencionado, el producto defectuoso será reparado o reemplazado por un modelo reacondicionado equivalente (según nuestro criterio) cuando el producto sea regresado al Centro de Reparación o se haya reembolsado el costo de la compra. El producto reparado o reemplazado estará garantizado por el balance de un periodo de un año de garantía y un periodo adicional de un mes. No habrá ningún cargo por tal reparación o reemplazo.

Servicio y Reparación: Si el aparato no funciona bien, debe primero llamar a nuestra línea gratuita 1-800-233-9054 (Válido solo en E.U.A.) entre el horario de 9:00 a.m. y 5:00 p.m. (Hora del Centro) y contactar al DEPARTAMENTO DE SERVICIO AL CLIENTE dejándoles saber que tiene un problema. Por favor refiérase al número de modelo **MAXGW1** cuando llame.

Reparaciones Bajo la Garantía (E.U.A.): Para un aparato cubierto bajo el periodo de garantía, no hay ningún cargo por la reparación o los gastos de envío. Llame para una autorización de devolución (1-800-233-9054).

Reparaciones Fuera de la Garantía: Existe un cargo de tarifa fija por modelo en el caso de reparaciones hechas fuera de la garantía. Incluye \$ 10,00 (USD) para gastos de manejo y envío. Nosotros le notificaremos por correo el costo del servicio y requerirá pagar por adelantado la reparación o reemplazo.

Para Productos Adquiridos en E.U.A. pero Usados en Canadá: Puede regresar el producto certificado, empacado con suficiente protección con los gastos de envío y certificación pre-pagados a la dirección de E.U.A. que aparece abajo. Por favor tenga en cuenta que todas las cuotas de derechos de aduana y de comisión de corretaje, si es que hay, deberá ser pagada por usted y deberá pagarlas por adelantado a nosotros antes de que podamos realizar cualquier reparación.

Riesgos Durante el Envío: No podemos asumir ninguna responsabilidad por pérdidas o daños durante el envío. Para su protección, embale cuidadosamente el producto para su envío y certifíquelo con el transportista. Asegúrese de incluir los siguientes artículos con su producto: todos los accesorios relacionados con el problema; su dirección completa y número telefónico; una nota describiendo el problema en cuestión; una copia de su recibo de compra u otra prueba de compra para determinar las condiciones de garantía. No se aceptan envíos contra reembolso.

Para regresar el aparato, envíelo a:

Attn:
Repair Center
Salton, Inc.
708 South Missouri Street
Macon, MO 63552

Para contactarnos, por favor escriba,
llame o envíe un mensaje electrónico a:

Salton, Inc.
P.O. Box 6916
Columbia, MO 65205-6916
1(800) 233-9054
Email: Salton@Saltonusa.com

Limitación de Remedios: Ningún representante o persona está autorizado a asumir en lugar de Salton, Inc. toda otra responsabilidad en conexión con la venta de nuestros productos. No se deberán hacer reclamaciones por defectos o fallos en el funcionamiento o averías del producto bajo ninguna teoría de agravio, contrato o ley comercial incluyendo, pero sin limitación a, negligencia, negligencia grave, estricta responsabilidad, incumplimiento de la garantía e incumplimiento de contrato. La reparación, reemplazo o reembolso será el exclusivo remedio del consumidor bajo esta garantía y **en ningún momento seremos responsables por ningunos daños, pérdidas o gastos incidentales o consecuentes.** Algunos estados no permiten la exclusión o limitación de daños incidentales o consecuentes por lo que la limitación o exclusión puede no ser aplicable en su caso.

Derechos Legales: Esta garantía le otorga derechos legales específicos y puede que tenga otros derechos los cuales varían de un estado a otro.

Para mayor información sobre productos Salton:

Visite nuestra página en internet: www.salton-maxim.com

© 2002 Salton, Inc.
Todos los derechos reservados

P/N 60942
Impreso en China

MAXIM®

MAXIM®

Cool-Edge Griddle

- Cool-edge rim.
- Slide-out drip tray.
- Exclusive back stop for easy removal of food.
- Temperature control adjusts from 150° to 400°F.
- Completely immersible when probe is removed.
- Bonus spatula included.



Questions

Call toll free 1-800-947-3744

Monday–Friday, 8:00 a.m. - 5:30 p.m. CST

www.salton-maxim.com

Free Manuals Download Website

<http://myh66.com>

<http://usermanuals.us>

<http://www.somanuals.com>

<http://www.4manuals.cc>

<http://www.manual-lib.com>

<http://www.404manual.com>

<http://www.luxmanual.com>

<http://aubethermostatmanual.com>

Golf course search by state

<http://golfingnear.com>

Email search by domain

<http://emailbydomain.com>

Auto manuals search

<http://auto.somanuals.com>

TV manuals search

<http://tv.somanuals.com>