



## Introduction

Thank you for purchasing the Expedition XP510i PORTABLE PA SYSTEM from Samson! The XP510i features a compact, 10-channel mixer with 500 watts of onboard power and dual 2-way speakers, making it an ideal solution for a variety of small to medium sized PA applications. The XP510i is extremely portable thanks to its lightweight and unique "Slide and Lock" design.

The 10-channel mixer can be removed from the speaker for tabletop use. It features 4 inputs for connecting microphones, plus three inputs for connecting stereo signals, like those from a CD player or electronic keyboard. There's also a built-in, 24-bit digital effects processor to add studio quality effects to your voice or instruments. For music playback, the XP510i features a convenient iPod dock. The mixer also provides a robust output, with 500 watts of total power from the lightweight, Class D amplifier section. The XP510i employs a matched speaker system with dual 2-way enclosures that have proprietary 10-inch woofers and 1-inch high frequency drivers. To help project the sound to a larger audience, the XP510i speakers can be mounted on standard speaker stands, thanks to the integral pole mount receptacles. The XP510i is constructed using durable ABS, high impact plastic, making it super road tough, and at the same time, lightweight.

In this manual, you'll find a detailed description of the features of the XP510i PA system, as well as a description of its front and rear panels, step-by-step instructions for its setup and use, and full specifications. You'll also find a warranty card enclosed—please don't forget to fill it out and mail it in so that you can receive online technical support, and so we can send you updated information about these and other Samson products in the future. Also, be sure to check out our website ([www.samsontech.com](http://www.samsontech.com)) for complete information about our full product line.

With proper care and adequate air circulation, your XP510i will operate trouble free for many years. We recommend you record your serial number in the space provided below for future reference.

Serial number: \_\_\_\_\_

Date of purchase: \_\_\_\_\_

Should your unit ever require servicing, a Return Authorization number (RA) must be obtained before shipping your unit to Samson. Without this number, the unit will not be accepted. Please call Samson at 1-800-3SAMSON (1-800-372-6766) for a Return Authorization number prior to shipping your unit. Please retain the original packing materials and if possible, return the unit in the original carton and packing materials. If you purchased your Samson product outside the United States, please contact your local distributor for warranty information and service.

## Features

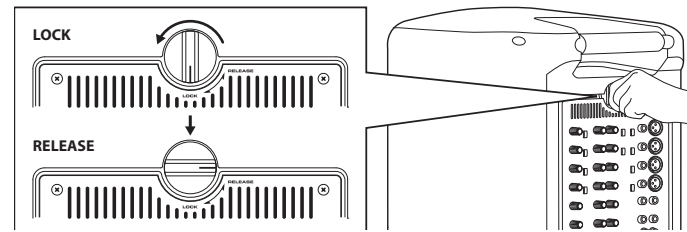
- The XP510i is a compact PA system with dual 2-way speakers, onboard mixer and 500 watt power amplifier.
- The XP510i is the ultimate in portable design. The lightweight and clever design allow you to connect all the pieces together into a single, easy to move case.
- The mixer is stored in one of the speaker cabinets; the other cabinet has an accessory compartment for storing the speaker cables, microphones, etc.
- The speakers are 2-way vented enclosures with 10-inch woofers for deep bass, complimented by a 1-inch high frequency driver, set in a custom horn with a 60 x 90 degree coverage pattern producing a clean, clear sound.
- The internal 2 x 250 watt lightweight Class D power amplifier produces a powerful stereo sound.
- The XP510i's mixer can be removed from the speaker for tabletop use and you can use the kick stand to set the mixer at an ergonomically correct angle.
- The 10-channel mixer features four Mic/Line inputs allowing you to connect microphones or line signals, plus three stereo inputs for connecting line signals from keyboards, drum machines and MP3/CD players. You can engage the Phantom Power switch if you are using condenser microphones.
- On each of the mixer's channel inputs there is a Bass and Treble control allowing you to equalize the tone of the individual inputs.
- To create a lush sound on any of the microphone channels, you can select from the ten, onboard, 24-bit digital effects.
- The XP510i features a built-in iPod dock allowing you to easily connect most iPod models for seamless music playback. You can use the iPod to simply play music, add background tracks, or repeat a commercial message at a fair or trade show.
- For added flexibility, the XP510i's mixer has a Monitor Out on two, 1/4 inch jacks allowing you to connect to external powered monitor speakers.

## XP510i Quick Start

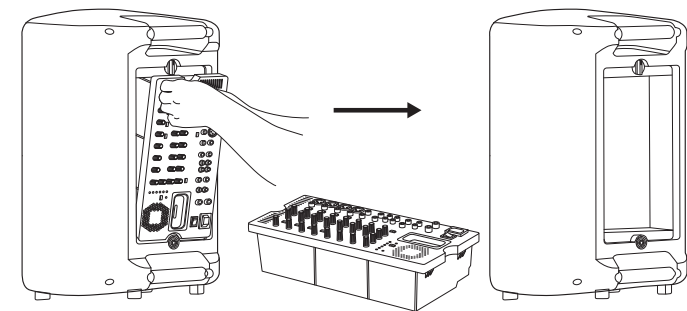
### Unpacking and Setting Up the XP510i

• Unpack all the system components from the shipping carton and save all packing materials in the (unlikely) event your unit ever needs to be returned for service.

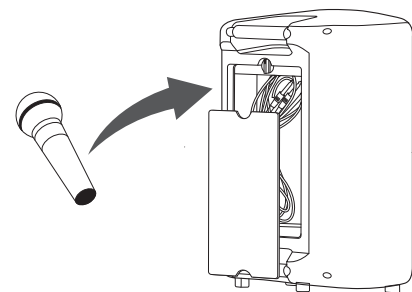
• Remove the mixer by turning the quarter turn screw counterclockwise towards the RELEASE position.



• Carefully hold the mixer to remove it from the speaker.

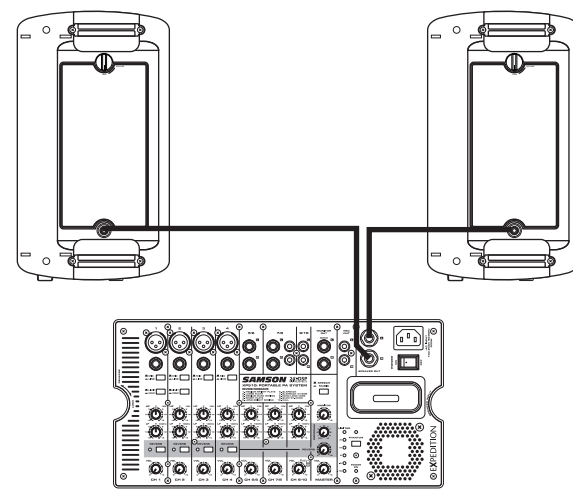


• Remove the accessory compartment cover by turning the quarter turn screw counterclockwise towards the RELEASE position, and remove the included speaker cables.



• Replace the accessory panel by aligning the bottom of the panel into the slots, make sure the quarter turn screw is in the RELEASE position; then close the panel and turn the quarter turn screw clockwise to LOCK.

• Position the speakers on the floor or on stands, and using one of the included speaker cables, connect the mixer's LEFT SPEAKER OUT to the left speaker's input connector. Next, use the second included speaker cable to connect the RIGHT SPEAKER OUT to the right speaker's input connector.



### Using a Microphone

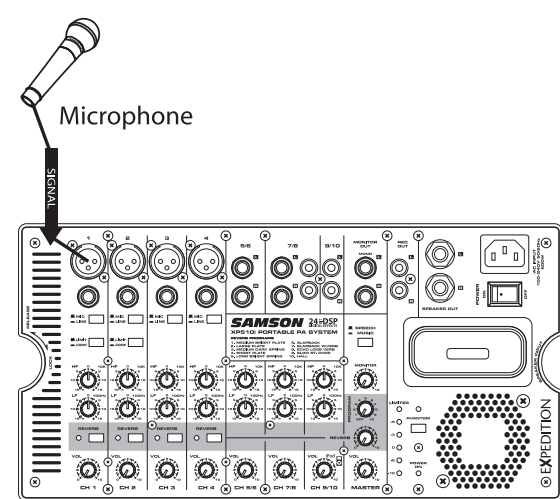
• Be sure that the XP510i's Power switch is set to the OFF position.

• Turn all of the channel VOLUME (VOL) controls fully counterclockwise to the "0" position.

• If the speakers are not connected, connect the speaker wires as described in the previous section.

• Next, connect the power cable to an AC outlet.

• Using a standard XLR cable, plug a microphone into the XP510i's Channel 1 MIC INPUT.



• Switch the XP510i's Power switch to the ON position.

• Set the MIC/LINE switch to the MIC position.

• Set the Channel 1 VOLUME (VOL) control to about halfway.

• While speaking into the microphone, slowly raise the MASTER level control until you have reached the desired level.

## XP510i Quick Start cont'd

### Using a Line Level Signal

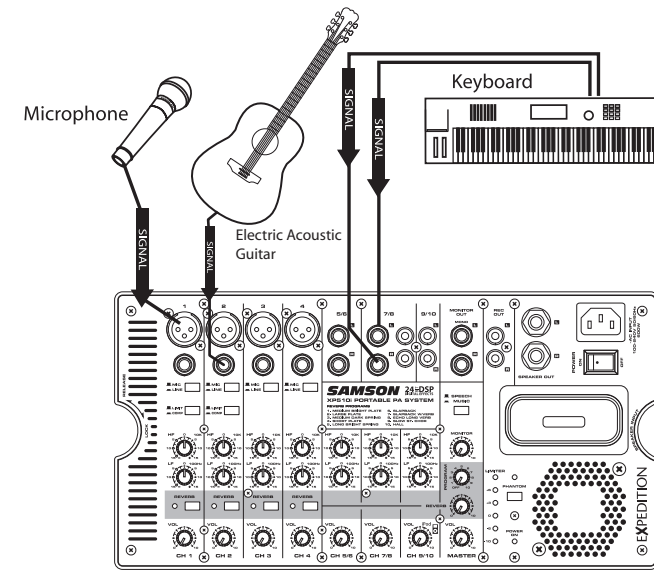
• Be sure that the XP510i's Power switch is set to the OFF position.

• Turn all of the channel VOLUME (VOL) controls fully counterclockwise to the "0" position.

• Connect the power cable to an AC outlet.

• If using channels 1-4, set the MIC/LINE switch to the LINE position.

• Using standard 1/4-inch cables, connect a line level signal from a keyboard into the XP510i's LINE INPUTS.



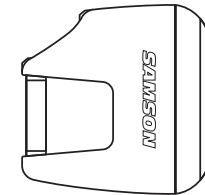
• Switch the XP510i's Power switch to the ON position.

• Play your guitar or keyboard and slowly raise the channel control and the MASTER level control until you have reached the desired VOLUME.

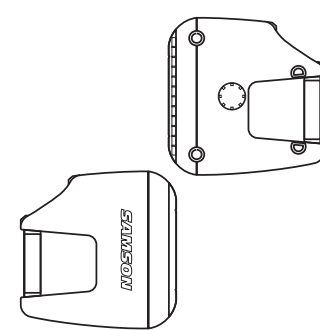
## Configuring the XP510i for Transport

You can easily carry your sound system using the XP510i's "Slide and Lock" feature. The "Slide and Lock" speaker enclosures allow you to connect both speakers together into a single, easy to carry unit. Follow these steps to configure the XP510i for easy transport.

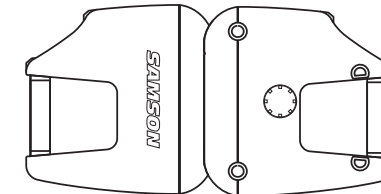
1. Place one speaker on the floor and set it on its side.



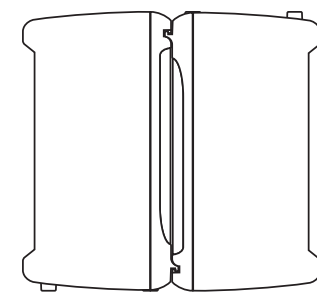
2. Position the second speaker above the first speaker and line up the "Slide and Lock" tracks and grooves so that they are parallel to the speaker on the floor.



3. Slide the second speaker into the speaker on the floor making certain that the two speakers stay parallel to each other.



4. You will feel a slight click when the two speakers are in place.



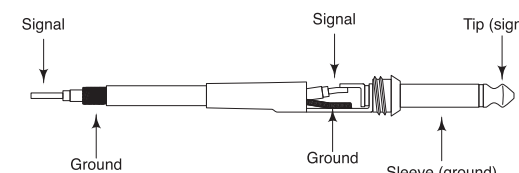
Speaker cabinets must be reversed with respect to top and bottom.

## XP510i Wiring Guide

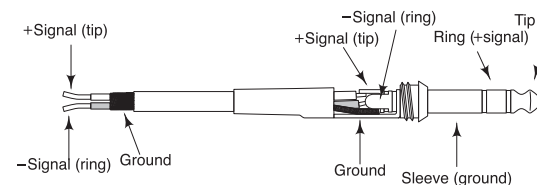
### CONNECTING THE XP510i

There are several ways to interface the XP510i to support a variety of applications. The XP510i features balanced inputs and outputs, so connecting balanced and unbalanced signals is possible.

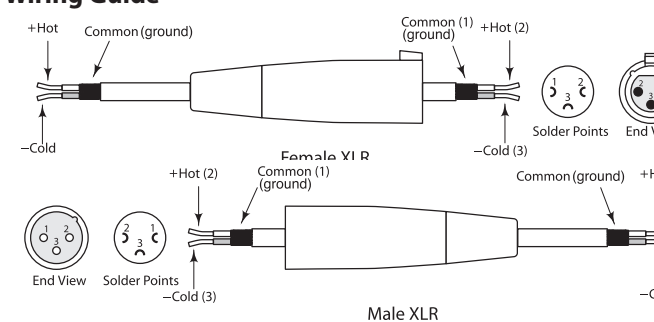
#### Unbalanced 1/4" Connector



#### Balanced TRS 1/4" Connector



#### XLR Balanced Wiring Guide



## Specifications\*

### System Specifications

**Maximum Output Power**  
250 W + 250 W @ 8 Ω

**Maximum Output Level (0.5% T.H.D. @ 1kHz)**  
+22dBu (MONITOR L/R) @ 10 kΩ  
+14 dBu (REC) @ 10 kΩ

**T.H.D.**  
<0.1% @ +14 dB 20 Hz ~ 20 kHz (MONITOR L/R, REC L/R) @ 10 kΩ

**Frequency Response**  
20 Hz ~ 20 kHz +/-1 dB, 10 kΩ (MONITOR L/R)  
20 Hz ~ 20 kHz +/-0/-1 dB, 10 kΩ (REC L/R)

**Hum and Noise (Input GAIN=Maximum Input sensitivity, MIC)**  
-112dBu equivalent input noise (Rs = 150 Ω)  
-90dBu Residual noise (MONITOR L/R) all Levels at Minimum  
-80dBu MONITOR at nominal level and all channel Levels minimum.  
-70dBu MONITOR at maximum level and all channel Levels minimum.

### Maximum Voltage Gain

50dB MIC 1/2(XLR,LIMIT Position) IN TO MONITOR L/R  
60dB MIC 3/4(XLR) IN TO MONITOR L/R  
40dB MIC 1/2(PHONE TRS,LIMIT Position) IN TO MONITOR L/R  
50dB MIC 3/4(PHONE TRS) IN TO MONITOR L/R  
14dB CH 1/2 LINE(PHONE TRS,LIMIT Position,MIC/LINE SW IN) IN TO MONITOR L/R  
24dB CH 3/4 LINE(PHONE TRS,MIC/LINE SW IN) IN TO MONITOR L/R  
28dB ST LINE IN TO MONITOR L/R  
48dB MIC 3/4(XLR) IN TO REC L/R

**Crosstalk (at 1 kHz)**  
-70 dB between input channels  
-70 dB between input/output channels

**SPEECH/MUSIC**  
167 Hz, 3dB/Octave

**Input Channel Equalization**  
HIGH: 10 kHz shelving ±15 dB  
LOW: 100 Hz shelving ±15 dB

**LIMIT/COMP Switch**  
DOWN = Comp, UP = Limit (CH1/2)

**Phantom Power**  
+15V DC

**Power Source/Power Consumption**  
AC INPUT 100 V~240 V, 50/60 Hz, 600 W MAX.

**Weight**  
52.8 lb (24 Kg)

**Dimensions**  
22.7"(W) x 12.6"(D) x 22"(H)  
577 mm(W) x 320 mm(D) x 560 mm(H)

Where 0 dBu = 0.775 V and 0 dBV = 1 V

## Input Specifications

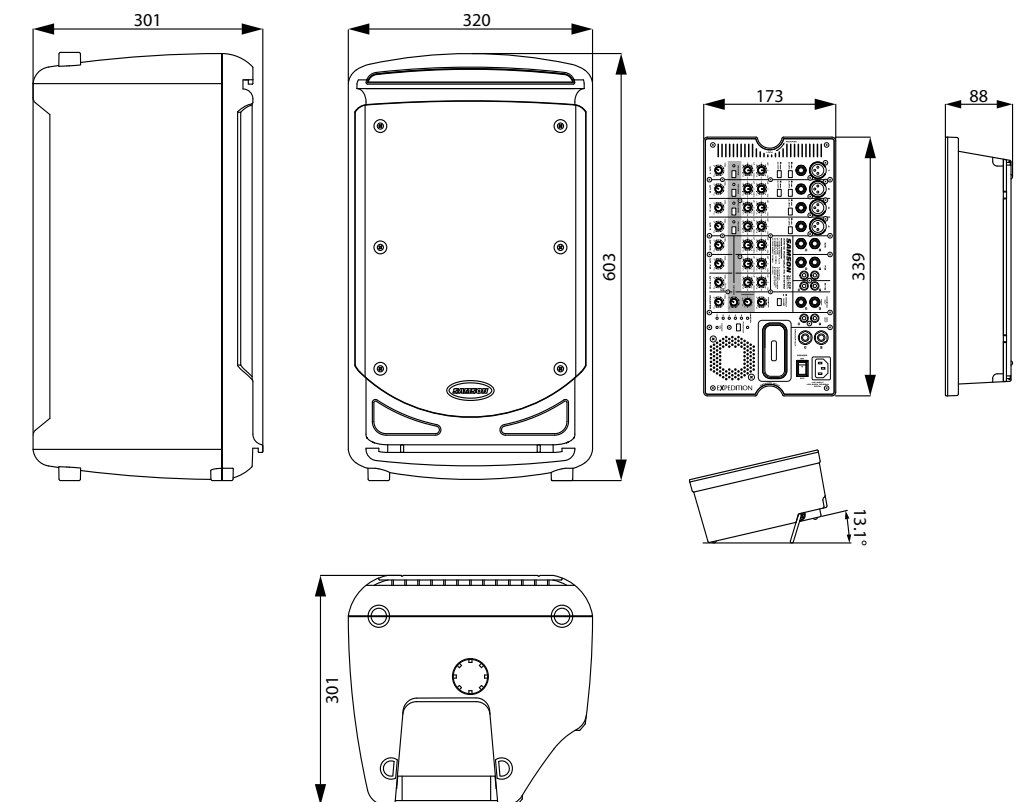
Input Connector	Input Impedance	Nominal Source Impedance	Rated Input Level	Connector Type
CH MIC	3.6 kΩ / 7.5 kΩ	50 ~ 600 Ω / 600 Ω	-32 dBu / -22dBu	XLR Type Balanced / Phone Jack (TRS) T=Hot R=Cold S=GND
CH LINE	3.6 kΩ / 7.5 kΩ	50 ~ 600 Ω / 600 Ω	-6 dBu / +4 dBu	XLR Type Balanced / Phone Jack (TRS) T=Hot R=Cold S=GND
STEREO INPUT	10 kΩ	600 Ω	0 dBu	Unbalanced Phone Jack
STEREO INPUT	10 kΩ	600 Ω	0 dBu	RCA pin Jack

## Output Specifications

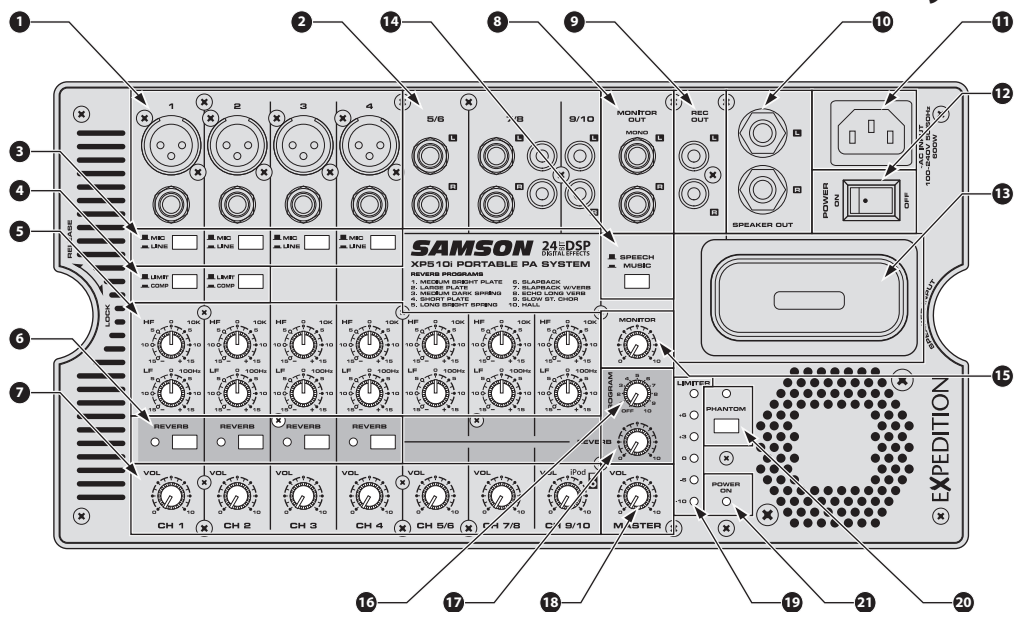
Output Connector	Output Impedance	Nominal Load Impedance	Rated Output Level	Connector type
MONITOR L/R	1 kΩ	≥10 kΩ	+4 dBu	Phone Jack (TRS) Impedance balanced T=hot R=Cold S=ground
REC OUT	600 Ω	≥10 kΩ	+4 dBu	RCA pin Jack
SPEAKER OUTPUT		8 Ω	250 W	Phone Jack

\*Specifications and design subject to change without notice

## Dimensions



## XP510i Mixer Layout



### 1. Channel Input Jacks (channels 1 - 4)

**MIC – XLR connector** – Use these XLR jacks to connect low impedance microphones to the XP510i's built-in mic preamps.

**LINE - 1/4-inch phone connector** – Use these 1/4" jacks to connect instrument or audio sources with line-level signals to the XP510i. You can connect the outputs from acoustic guitar pickups, keyboards, drum machines, CD/MP3/TAPE players and other units with line level outputs here.

### 2. Stereo Channel Input Jacks (channels 5/6, 7/8, 9/10)

For stereo inputs, use the LINE L to connect the left channel and the LINE R to connect the right channel. Use these inputs to connect high impedance microphones, synthesizers, drum machines, MP3, CD, tape players or any other line level device. The XP510i features both 1/4" phone and RCA connectors.

### 3. MIC/LINE switch (channels 1 - 4)

The MIC position changes the gain of both input jacks to MIC level. The LINE position reduces the gain of both jacks by 30dB to line level.

### 4. LIMIT/COMP switch

Set the LIMIT/COMP switch to the COMP position to apply compression or set it to the LIMIT position to apply limiting.

### 5. Equalizer control knobs

**HIGH FREQUENCY (HF)** – The HF knob controls the amount of Treble applied to each channel. The channel's HIGH frequency response is flat when the knob is in the "12:00" position. Rotating the knob to the right will boost the channel's high frequency response above 10 kHz by 15 dB, and rotating it towards the left will cut the high frequency response by 15 dB.

**LOW FREQUENCY (LF)** – The LF knob controls the amount of Bass applied to each channel. The channel's LOW frequency response is flat when the knob is in the "12:00" position. Rotating the knob to the right will boost the channel's low frequency response below 100 Hz by 15 dB, and rotating it towards the left will cut the low frequency response by 15 dB.

### 6. REVERB switch

Use the REVERB switch to add an effect to a Mic or Line input on any of the inputs 1 – 4. The REVERB LED indicator lights GREEN when the REVERB is ON.

### 7. VOLUME control knob

This knob sets the overall level for the Mic or Line input.

**NOTE:** To reduce noise, set the VOLUME controls on any unused channels to the minimum setting.

### 8. MONITOR OUT jacks

The signal present at the MONITOR OUT jacks is sent from the MONITOR level control knob, which is fed from the input channels. The MASTER control does not affect the MONITOR OUT signal.

### 9. REC OUT jacks

This output is used to send the main mix to an external recorder. The signal present at this connector is the L/R bus signal before it has passed through the MASTER level control. The nominal output level is -10 dBV and the impedance is 100 Ohms.

### 10. SPEAKER OUT jacks

The XP510i has two 1/4-inch phone connectors, which are powered outputs used to connect your left and right speaker. Use the included speaker cables to connect the speakers.

**CAUTION:** The total impedance load for each side of the amplifier must not be less than 8 Ohms. Do not connect additional speakers to the XP510i mixer.

### 11. AC – IEC inlet

Connect the supplied heavy-gauge 3-pin "IEC" power cable here.

### 12. POWER switch

Use the POWER switch to turn power to the XP510i on or off.

### 13. IPOD DOCK

The XP510i has a built-in iPod dock which can be used to connect most of the latest iPod models. The iPod signal is controlled by the Channel 9/10 VOLUME control.

### 14. SPEECH/MUSIC switch

The SPEECH/MUSIC switch is used to change the overall frequency response, or tone contour, for the XP510i sound system. If your application is mainly for MUSIC, press the switch down to select the MUSIC response curve. If your application is mainly for SPEECH, leave the switch up to select the SPEECH response curve.

### 15. MONITOR control knob

The MONITOR volume control is used to control the overall level sent to the MONITOR OUT, which can be used to send to a second set of powered speakers for monitors.

### 16. REVERB PROGRAM selector

This control knob is used to select one of ten, 24-bit DSP effects programs.

### 17. REVERB control knob

The REVERB control knob is used to adjust the total amount of reverb added to any channel that has its REVERB switch (see #6) pressed down.

### 18. MASTER control knob

The MASTER volume knob controls the overall output level. This knob determines the final output signal level. Signals from all ten channels are routed here just before being routed to the built-in power amplifiers and Left and Right speaker output jacks (see #10).

### 19. METER LED indicators

This six-segment bar meter shows the XP510i's output level. For optimum signal-to-noise ratio, set the VOLUME control so that program material is usually at or around +3 to +6 VU, with occasional, but not steady excursions to the red "LIMIT" segment.

### 20. PHANTOM switch

The XP510i features an onboard, Phantom power supply to operate condenser microphones. When the switch is engaged, the LED will illuminate indicating that phantom power is now available on the microphone pre-amps.

**IMPORTANT NOTE:** To avoid a loud pop, be sure to turn down the MASTER level control before plugging and unplugging the mic cables when the phantom power is active.

### 21. POWER LED indicator

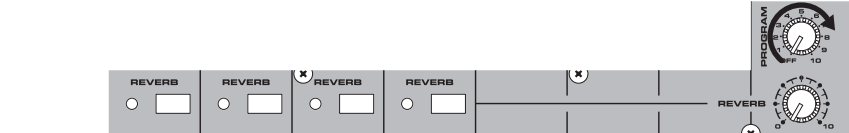
The Power LED will illuminate when the MAIN power switch is turned on.

## Applying Reverb

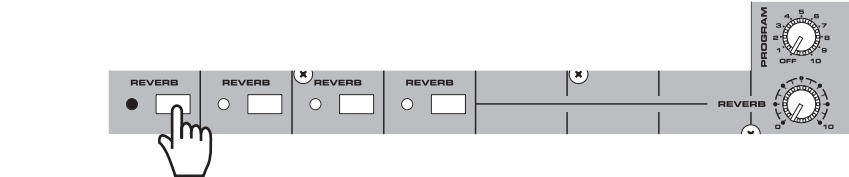
The XP510i features built-in, high quality, 24-bit Reverb Effects that you can add to channels 1 through 4. You can use the reverb to create a studio effect by simply following the steps below:

1. Connect a mic or instrument to the desired channel, and adjust the volume and equalizer to your liking.

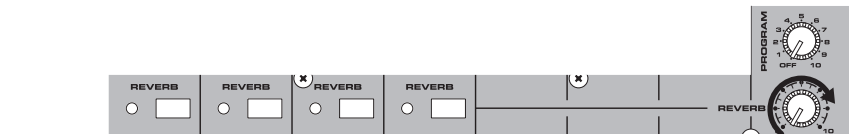
2. Use the Reverb Program selector to choose one of the ten built-in digital effects.



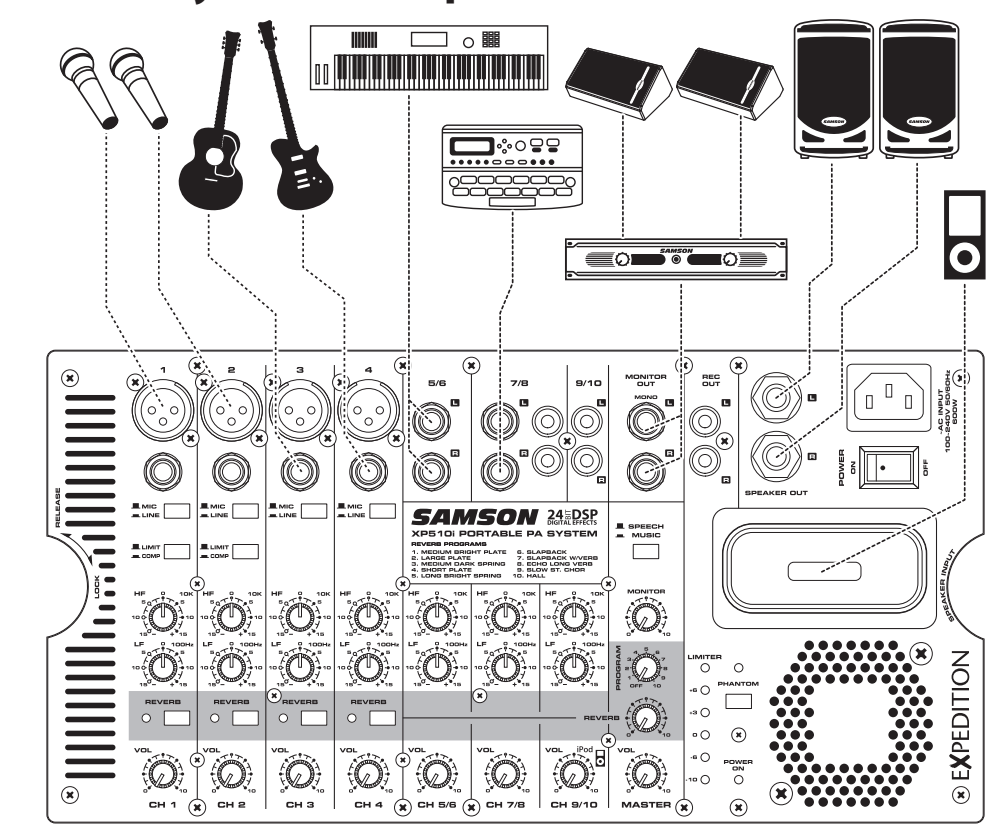
3. Press the REVERB switch down on the channel to which you want to add the reverb effect.



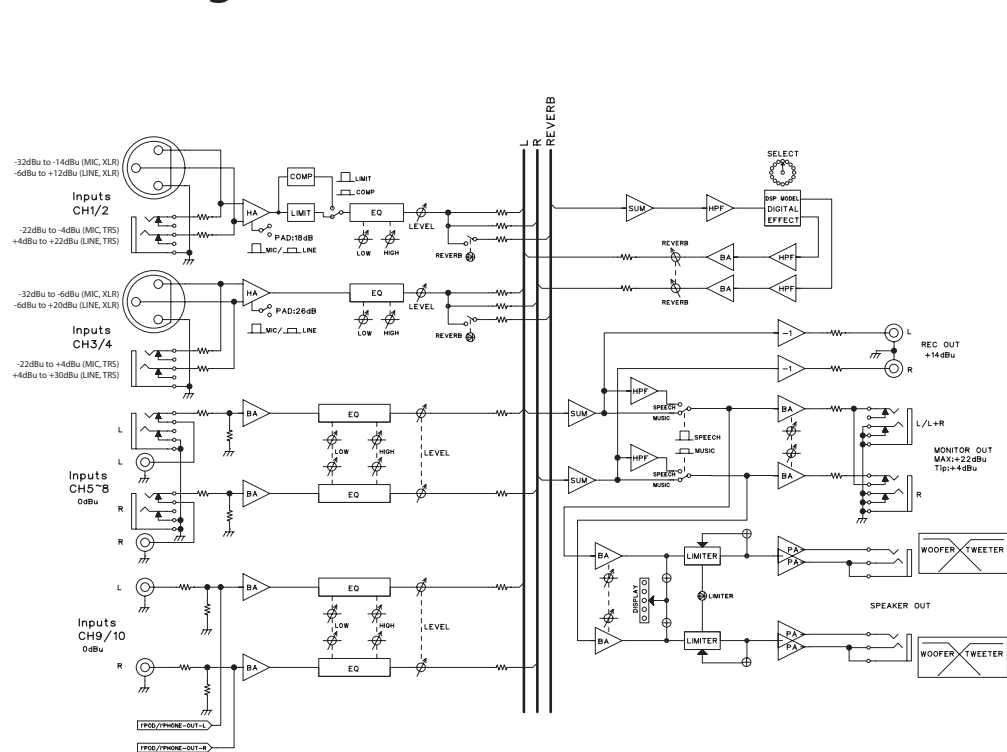
4. Once you have selected the channel(s) for effects by using the channel REVERB switch, raise the REVERB main level control to apply the amount of reverb desired.



## XP510i System Set-ups



## Block Diagram



## Safety Instructions/Consignes de sécurité/Sicherheitsvorkehrungen



**WARNING:** To reduce the risk of fire or electric shock, do not expose this unit to rain or moisture. To reduce the hazard of electrical shock, do not remove cover or back. No user serviceable parts inside. Please refer all servicing to qualified personnel. The lightning flash with an arrowhead symbol within an equilateral triangle, is intended to alert the user to the presence of uninsulated "dangerous voltage" within the products enclosure that may be of sufficient magnitude to constitute a risk of electric shock to persons. The exclamation point within an equilateral triangle is intended to alert the user to the presence of important operating and maintenance (servicing) instructions in the literature accompanying the product.

### Important Safety Instructions

1. Please read all instructions before operating the unit.
2. Keep these instructions for future reference.
3. Please heed all safety warnings.
4. Follow manufacturers instructions.
5. Do not use this unit near water or moisture.
6. Clean only with a damp cloth.
7. Do not block any of the ventilation openings. Install in accordance with the manufacturers instructions.
8. Do not install near any heat sources such as radiators, heat registers, stoves, or other apparatus (including amplifiers) that produce heat.
9. Do not defeat the safety purpose of the polarized or grounding-type plug. A polarized plug has two blades with one wider than the other. A grounding type plug has two blades and a third grounding prong. The wide blade or third prong is provided for your safety. When the provided plug does not fit your outlet, consult an electrician for replacement of the obsolete outlet.
10. Protect the power cord from being walked on and pinched particularly at plugs, convenience receptacles and at the point at which they exit from the unit.
11. Unplug this unit during lightning storms or when unused for long periods of time.
12. Refer all servicing to qualified personnel. Servicing is required when the unit has been damaged in any way, such as power supply cord or plug damage, or if liquid has been spilled or objects have fallen into the unit, the unit has been exposed to rain or moisture, does not operate normally, or has been dropped.

**ATTENTION:** Pour éviter tout risque d'électrocution ou d'incendie, ne pas exposer cet appareil à la pluie ou à l'humidité. Pour éviter tout risque d'électrocution, ne pas ôter le couvercle ou le dos du boîtier. Cet appareil ne contient aucune pièce remplaçable par l'utilisateur. Confiez toutes les réparations à un personnel qualifié. Le signe avec un éclair dans un triangle prévient l'utilisateur de la présence d'une tension dangereuse et non isolée dans l'appareil. Cette tension constitue un risque d'électrocution. Le signe avec un point d'exclamation dans un triangle prévient l'utilisateur d'instructions importantes relatives à l'utilisation et à la maintenance du produit.

### Consignes de sécurité importantes

1. Veuillez lire toutes les instructions avant d'utiliser l'appareil.
2. Conserver ces instructions pour toute lecture ultérieure.
3. Lisez avec attention toutes les consignes de sécurité.
4. Suivez les instructions du fabricant.
5. Ne pas utiliser cet appareil près d'une source liquide ou dans un lieu humide.
6. Nettoyez l'appareil uniquement avec un tissu humide.
7. Veillez à ne pas obstruer les fentes prévues pour la ventilation de l'appareil. Installez l'appareil selon les instructions du fabricant.
8. Ne pas installer près d'une source de chaleur (radiateurs, etc.) ou de tout équipement susceptible de générer de la chaleur (amplificateurs de puissance par exemple).
9. Ne pas retirer la terre du cordon secteur ou de la prise murale. Les fiches canadiennes avec polarisation (avec une lame plus large) ne doivent pas être modifiées. Si votre prise murale ne correspond pas au modèle fourni, consultez votre électricien.
10. Protégez le cordon secteur contre tous les dommages possibles (pincement, tension, torsion, etc.). Veillez à ce que le cordon secteur soit libre, en particulier à sa sortie du boîtier.
11. Déconnectez l'appareil du secteur en présence d'orage ou lors de périodes d'inutilisation prolongées.
12. Consultez un service de réparation qualifié pour tout dysfonctionnement (dommage sur le cordon secteur, baisse de performances, exposition à la pluie, projection liquide dans l'appareil, introduction d'un objet dans le boîtier, etc.).

**ACHTUNG:** Um die Gefahr eines Brandes oder Stromschlags zu verringern, sollten Sie dieses Gerät weder Regen noch Feuchtigkeit aussetzen. Um die Gefahr eines Stromschlags zu verringern, sollten Sie weder Deckel noch Rückwand des Geräts entfernen. Im Innern befinden sich keine Teile, die vom Anwender erwartet werden können. Überlassen Sie die Wartung qualifiziertem Fachpersonal. Der Blitz mit Pfeilspitze im gleichseitigen Dreieck soll den Anwender vor nichtisolierten "gefährlicher Spannung" im Geräteinnern warnen. Diese Spannung kann so hoch sein, dass die Gefahr eines Stromschlags besteht. Das Ausrufezeichen im gleichseitigen Dreieck soll den Anwender auf wichtige Bedienungs- und Wartungsanleitungen aufmerksam machen, die im mitgelieferten Informationsmaterial näher beschrieben werden.

### Wichtige Sicherheitsvorkehrungen

1. Lesen Sie alle Anleitungen, bevor Sie das Gerät in Betrieb nehmen.
2. Bewahren Sie diese Anleitungen für den späteren Gebrauch gut auf.
3. Bitte treffen Sie alle beschriebenen Sicherheitsvorkehrungen.
4. Befolgen Sie die Anleitungen des Herstellers.
5. Benutzen Sie das Gerät nicht in der Nähe von Wasser oder Feuchtigkeit.
6. Verwenden Sie zur Reinigung des Geräts nur ein feuchtes Tuch.
7. Blockieren Sie keine Belüftungsöffnungen. Nehmen Sie den Einbau des Geräts nur entsprechend den Anweisungen des Herstellers vor.
8. Bauen Sie das Gerät nicht in der Nähe von Wärmequellen wie Heizkörpern, Wärmeclappen, Öfen oder anderen Geräten (inklusive Verstärkern) ein, die Hitze erzeugen.
9. Setzen Sie die Sicherheitsfunktion des polarisierten oder geerdeten Steckers nicht außer Kraft. Ein polarisierter Stecker hat zwei flache, unterschiedlich breite Pole. Ein geerdeter Stecker hat zwei flache Pole und einen dritten Erdungsstift. Der breitere Pol oder der dritte Stift dient Ihrer Sicherheit. Wenn der vorhandene Stecker nicht in Ihre Steckdose passt, lassen Sie die veraltete Steckdose von einem Elektriker ersetzen.
10. Schützen Sie das Netzkabel dahingehend, dass niemand darüber laufen und es nicht geknickt werden kann. Achten Sie hierbei besonders auf Netzstecker, Mehrfachsteckdosen und den Kabelanschluss am Gerät.
11. Ziehen Sie den Netzstecker des Geräts bei Gewittern oder längeren Betriebspausen aus der Steckdose.
12. Überlassen Sie die Wartung qualifiziertem Fachpersonal. Eine Wartung ist notwendig, wenn das Gerät auf irgendeine Weise, beispielsweise am Kabel oder Netzstecker beschädigt wurde, oder wenn Flüssigkeiten oder Objekte in das Gerät gelangt sind, es Regen oder Feuchtigkeit ausgesetzt war, nicht mehr wie gewohnt betrieben werden kann oder fallen gelassen wurde.

## Instrucciones de seguridad / Istruzioni di Sicurezza

**PRECAUTION:** Para reducir el riesgo de incendios o descargas, no permita que este aparato quede expuesto a la lluvia o la humedad. Para reducir el riesgo de descarga eléctrica, nunca quite la tapa ni el chasis. Dentro del aparato no hay piezas susceptibles de ser reparadas por el usuario. Dirija cualquier reparación al servicio técnico oficial. El símbolo del relámpago dentro del triángulo equilátero pretende advertir al usuario de la presencia de "voltajes peligrosos" no aislados dentro de la carcasa del producto, que pueden ser de la magnitud suficiente como para constituir un riesgo de descarga eléctrica a las personas. El símbolo de exclamación dentro del triángulo equilátero quiere advertirle de la existencia de importantes instrucciones de manejo y mantenimiento (reparaciones) en los documentos que se adjuntan con este aparato.

### Instrucciones importantes de seguridad

1. Lea todo este manual de instrucciones antes de comenzar a usar la unidad.
2. Conserve estas instrucciones para cualquier consulta en el futuro.
3. Cumpla con todo lo indicado en las precauciones de seguridad.
4. Observe y siga todas las instrucciones del fabricante.
5. Nunca utilice este aparato cerca del agua o en lugares húmedos.
6. Limpie este aparato solo con un trapo suave y ligeramente humedecido.
7. No bloquee ninguna de las aberturas de ventilación. Instale este aparato de acuerdo a las instrucciones del fabricante.
8. No instale este aparato cerca de fuentes de calor como radiadores, calentadores, hornos u otros aparatos (incluyendo amplificadores) que produzcan calor.
9. No anule el sistema de seguridad del enchufe de tipo polarizado o con toma de tierra. Un enchufe polarizado tiene dos bornes, uno más ancho que el otro. Uno con toma de tierra tiene dos bornes normales y un tercero para la conexión a tierra. El borne ancho o el tercero se incluyen como medida de seguridad. Cuando el enchufe no encaje en su salida de corriente, llame a un electricista para que le cambie su salida anticuada.
10. Evite que el cable de corriente quede en una posición en la que pueda ser pisado o aplastado, especialmente en los enchufes, receptáculos y en el punto en el que salen de la unidad.
11. Desconecte de la corriente este aparato durante las tormentas eléctricas o cuando no lo vaya a usar durante un periodo de tiempo largo.
12. Dirija cualquier posible reparación solo al servicio técnico oficial. Deberá hacer que su aparato sea reparado cuando esté dañado de alguna forma, como si el cable de corriente o el enchufe están dañados, o si se han derramado líquidos o se ha introducido algún objeto dentro de la unidad, si esta ha quedado expuesta a la lluvia o la humedad, si no funciona normalmente o si ha caído al suelo.

**ATTENZIONE:** per ridurre il rischio di incendio o di scariche elettriche, non esponete questo apparecchio a pioggia o umidità. Per ridurre il pericolo di scariche elettriche evitate di rimuoverlo e il coperchio o il pannello posteriore. Non esistono all'interno dell'apparecchio parti la cui regolazione è a cura dell'utente. Per eventuale assistenza, fate riferimento esclusivamente a personale qualificato. Il fulmine con la punta a freccia all'interno di un triangolo equilatero avvisa l'utente della presenza di "tensioni pericolose" non isolate all'interno dell'apparecchio, tali da costituire un possibile rischio di scariche elettriche dannose per le persone. Il punto esclamativo all'interno di un triangolo equilatero avvisa l'utente della presenza di importanti istruzioni di manutenzione (assistenza) nella documentazione che accompagna il prodotto.

### Importanti Istruzioni di Sicurezza

1. Prima di usare l'apparecchio, vi preghiamo di leggerne per intero le istruzioni.
2. Conservate tali istruzioni per una eventuale consultazione futura.
3. Vi preghiamo di rispettare tutte le istruzioni di sicurezza.
4. Seguite tutte le istruzioni del costruttore.
5. Non usate questo apparecchio vicino ad acqua o umidità.
6. Pulite l'apparecchio esclusivamente con un panno asciutto.
7. Evitate di ostruire una qualsiasi delle aperture di ventilazione. Posizionatelo seguendo le istruzioni del costruttore.
8. Non posizionatelo vicino a sorgenti di calore come radiatori, scambiatori di calore, forni o altri apparecchi (amplificatori compresi) in grado di generare calore.
9. Non disattivate la protezione di sicurezza costituita dalla spina polarizzata o dotata di collegamento a terra. Una spina polarizzata è dotata di due spinotti, uno più piccolo ed uno più grande. Una spina dotata di collegamento a terra è dotata di due spinotti più un terzo spinotto di collegamento a terra. Questo terzo spinotto, eventualmente anche più grande, viene fornito per la vostra sicurezza. Se la spina fornita in dotazione non si adatta alla vostra presa, consultate un elettricista per la sostituzione della presa obsoleta.
10. Proteggete il cavo di alimentazione in modo che non sia possibile camminarci sopra né piegarlo, con particolare attenzione alle prese, ai punti di collegamento e al punto in cui esce dall'apparecchio.
11. Staccate l'apparecchio dalla alimentazione in caso di temporali o tempeste o se non lo usate per un lungo periodo.
12. Per l'assistenza, fate riferimento esclusivamente a personale qualificato. È necessaria l'assistenza se l'apparecchio ha subito un qualsiasi tipo di danno, come danni al cavo o alla spina di alimentazione, nel caso in cui sia stato versato del liquido o siano caduti oggetti al suo interno, sia stato esposto a pioggia o umidità, non funzioni correttamente o sia stato fatto cadere.



If you want to dispose this product, do not mix it with general household waste. There is a separate collection system for used electronic products in accordance with legislation that requires proper treatment, recovery and recycling.

Private household in the 25 member states of the EU, in Switzerland and Norway may return their used electronic products free of charge to designated collection facilities or to a retailer (if you purchase a similar new one).

For Countries not mentioned above, please contact your local authorities for a correct method of disposal. By doing so you will ensure that your disposed product undergoes the necessary treatment, recovery and recycling and thus prevent potential negative effects on the environment and human health.



THIS DEVICE COMPLIES WITH PART 15 OF THE FCC RULES. OPERATION IS SUBJECT TO THE FOLLOWING TWO CONDITIONS: (1) THIS DEVICE MAY NOT CAUSE HARMFUL INTERFERENCE, AND (2) THIS DEVICE MUST ACCEPT ANY INTERFERENCE RECEIVED, INCLUDING INTERFERENCE THAT MAY CAUSE UNDESIRABLE OPERATION. SUITABLE FOR HOME OR OFFICE USE.

Copyright 2010 - Samson Technologies Corp.  
Samson Technologies Corp.  
45 Gilpin Avenue  
Hauppauge, New York 11788-8816  
Phone: 1-800-3-SAMSON (1-800-372-6766)  
Fax: 631-784-2201  
www.samsontech.com  
V1.6

## Free Manuals Download Website

<http://myh66.com>

<http://usermanuals.us>

<http://www.somanuals.com>

<http://www.4manuals.cc>

<http://www.manual-lib.com>

<http://www.404manual.com>

<http://www.luxmanual.com>

<http://aubethermostatmanual.com>

Golf course search by state

<http://golfingnear.com>

Email search by domain

<http://emailbydomain.com>

Auto manuals search

<http://auto.somanuals.com>

TV manuals search

<http://tv.somanuals.com>