

PRODUCT

MDR1688

SERIES

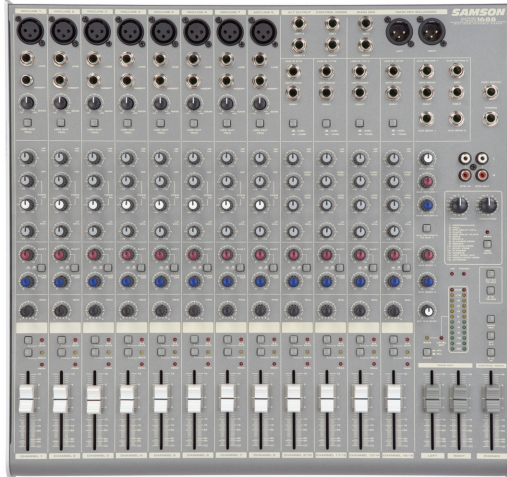
MDR MIXERS

DESCRIPTION

16-CHANNEL MIXER WITH DSP

CATEGORY

MIXERS



GENERAL DESCRIPTION

Ideal for live performance installations, the MDR1688 delivers superior audio quality and excellent value, along with an impressive feature set.

The MDR1688 is a true professional 16-channel stereo mixer. Connecting all your microphones and instruments to this mixer is simple, with eight mic/line inputs plus four additional stereo channels. There are also dedicated stereo effects returns for the on-board digital effects, which are both numerous and impressive. The MDR1688 features 256 digital studio-quality effects including delays, chorus, flanging and lush reverbs, which can be added to your vocals or instruments using the built-in 24-bit multi-effects processor.

The mic/line inputs feature a 3-band equalizer with sweepable midrange control and there is a four-band fixed equalizer on each of the stereo input channels. Each of the stereo and mono input channels have two aux sends for an onstage monitor mix, built-in or external effects, or headphone mixing. Plus, aux one can be configured as a pre or post fader send.

The MDR1688's master section includes two stereo aux returns and a two-track input and output for playing back stereo devices and for recording your mix. Clean, clear sound reproduction with sweet equalization and signal-flexible routing ensure dependable and remarkable sound for every performance.

High-quality, discreet, low-noise mic preamps with 48-volt phantom power and 60mm faders give users the best possible sound with the best possible feel. A 12-segment LED meter with VU ballistics also displays the main mix output. And to make the MDR1688 even more versatile, we include a standard 19-inch rackmount kit.

As like all of Samson's MDR mixers, the MDR1688 features advanced circuit design using carefully selected components at each stage of the signal path, giving you

maximum dynamic range and a transparent audio signal. Finally, durable construction ensures reliable performance from venue to venue and session to session. Optimized for recording, live sound reinforcement and commercial installations, the MDR1688 is an ideal mixer solution, offering big sound in a compact package.

FEATURES

- > 16 Inputs: 8 mic/line plus 4 stereo line
- > 4-bit Digital Effects Processor with 256 Presets
- > 3-band EQ with sweepable mids on mic/line inputs
- > 4-band EQ on stereo channels
- > 60mm faders
- > Standard 19-inch rackmount kit included

ARCHITECT'S & ENGINEER'S SPECIFICATIONS

The Samson MDR1688 shall be a tabletop audio mixer. It shall be a 16-channel design with 8 channels having XLR mic inputs and 4 channels being stereo channels. The XLR Mic channels are equipped with 3 band EQ with sweepable mids, line input, insert point, mic/line trim control, 75Hz low cut filter, 1 aux send with pre/post switch, 1 aux send to the internal 24 bit DSP effects unit with 256 presets, pan, solo, 60mm fader and alt bus 3/4 routing switch. The stereo channels shall have 1/4 inch inputs with left mono capability, +4/-10 gain switch, 4 band fixed frequency EQ, 1 aux send with pre/post switch, 1 aux send to the internal 24 bit DSP effects unit with 256 presets, pan, solo, 60mm fader and alt bus 3/4 routing switch. The main section shall have 1/4 inch alt 3/4 outputs, 1/4 inch control room outputs, 1/4 inch main mix outputs, balanced XLR outputs, 60mm mix left, mix right and control room faders. The control room shall get its signal from the main mix, alt 3/4 mix, and the 2TK input via 3 switches. The main mix shall get its signal from the main mix bus, alt 3/4 bus and the 2TK input via the main mix bus and 2 switches. 12 segment metering shall be provided with switchable AFL/PFL modes. There shall also be LED indication for power and phantom power. There shall be a 2 TK inputs on RCA jacks with level control and outputs on RCA jacks. There shall be an aux 1 master send level and aux 1 stereo return on 1/4 inch jacks with level control. There shall be an aux 2 master send level and aux 2 stereo return on 1/4 inch jacks with level control and switch to apply the aux 2 signal to the aux 1 mix. There shall be a stereo headphone output on 1/4 inch TRS jack. There shall be a 24 bit internal effects unit with 256 presets, peak LED, and DSP mute. The mixer shall have a power on/off switch and a phantom power switch on the rear panel. The mixer shall have an external power supply.

PRODUCT SPECIFICATION SHEET

SERIES
MDR MIXERS

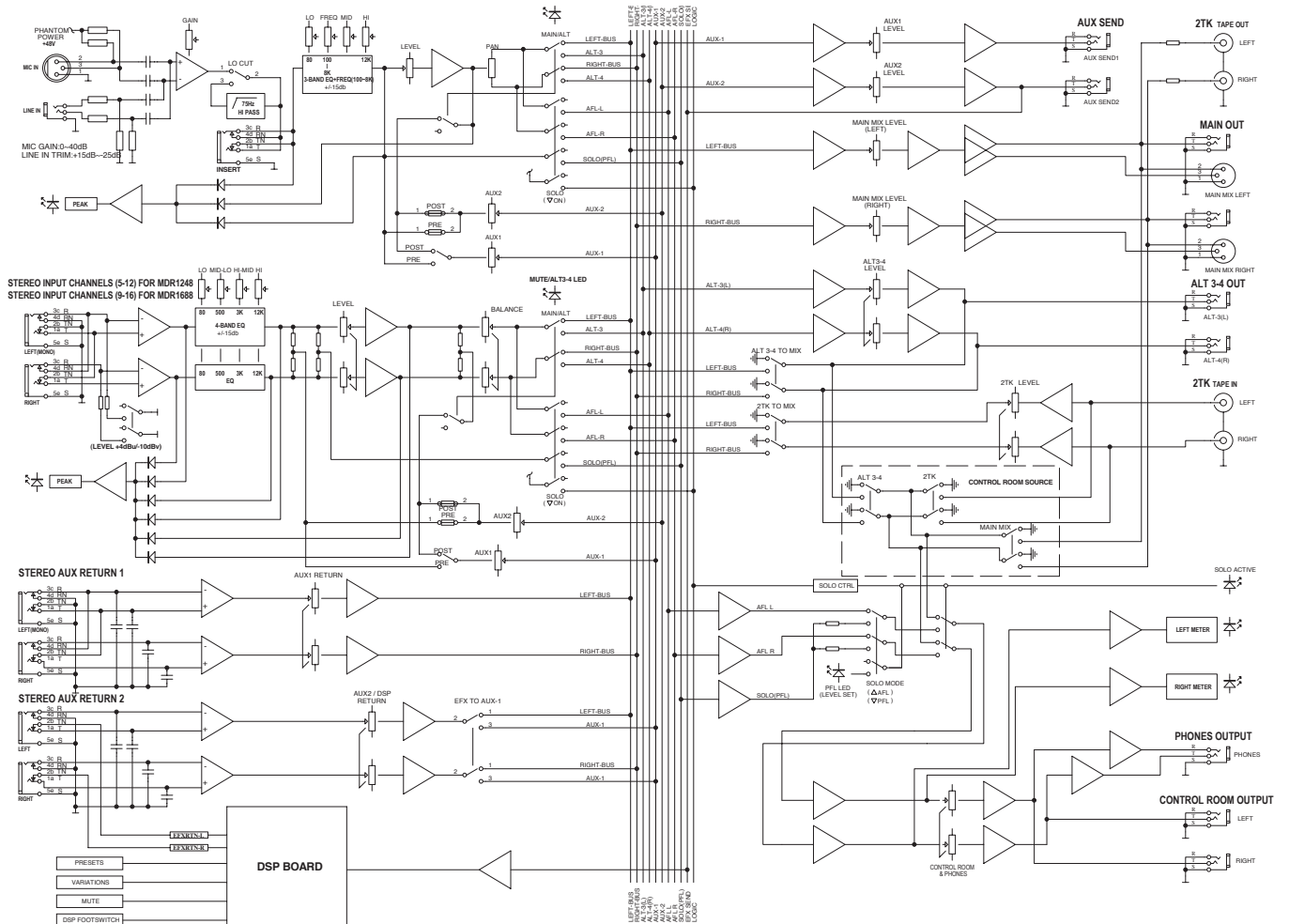
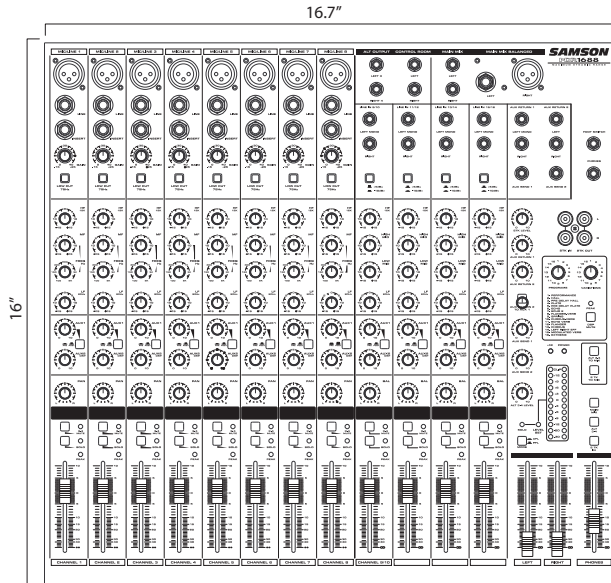
DESCRIPTION
16-CHANNEL MIXER WITH DSP

CATEGORY
MIXERS

MDR1688

MDR1688-16 CHANNEL MIXER SPECIFICATIONS

- Frequency Response 10 Hz to 45 kHz, +/-0.4 dB
- Distortion (THD&N) 0.05% at +4 dBu, 1 kHz
- Gain Range 0 dB to +40 dB (MIC)
- Signal to Noise Ratio (SNR) 105 dB
- Line Input Electronically balanced
- Sensitivity Range -10 dBu to +30 dBu
- Stereo Input Channels Balanced Line Input
- Distortion (THD&N) 0.005% at +4 dBu, 1 kHz
- Max Output +22 dBu balanced XLR
- Dimensions (W x D x H) 16" x 16.7" x 2.6"
405mm x 425mm x 65mm
- Weight 12.87 lbs • 5.85 kg



Free Manuals Download Website

<http://myh66.com>

<http://usermanuals.us>

<http://www.somanuals.com>

<http://www.4manuals.cc>

<http://www.manual-lib.com>

<http://www.404manual.com>

<http://www.luxmanual.com>

<http://aubethermostatmanual.com>

Golf course search by state

<http://golfingnear.com>

Email search by domain

<http://emailbydomain.com>

Auto manuals search

<http://auto.somanuals.com>

TV manuals search

<http://tv.somanuals.com>