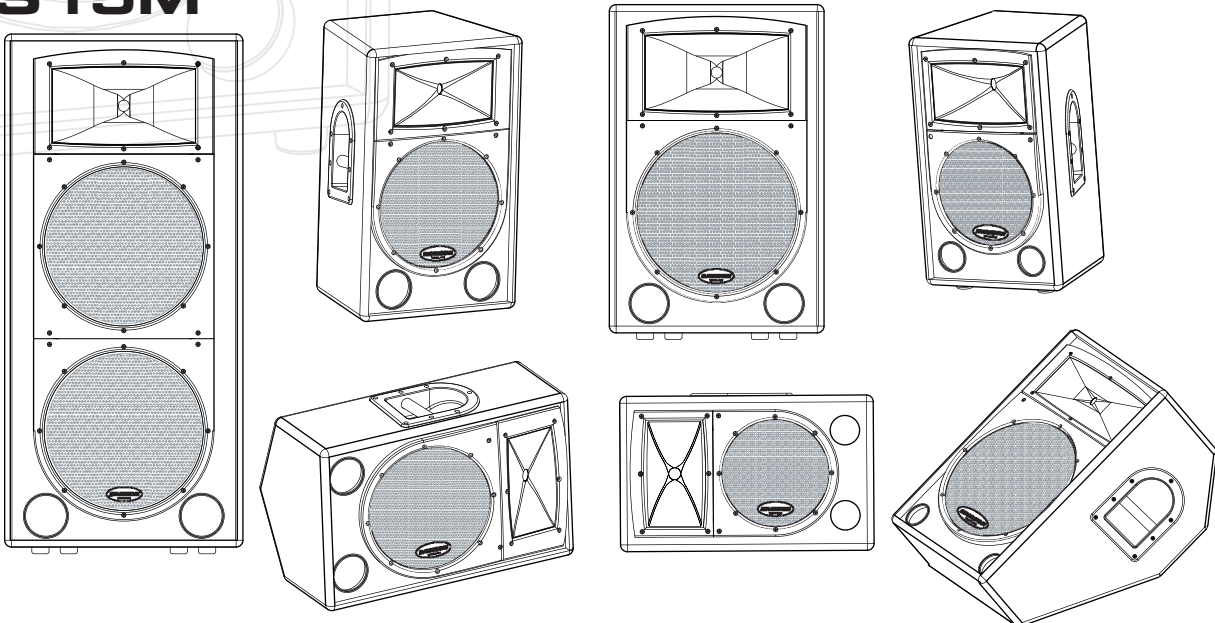


# RESOUND

**RS 10**  
**RS 12**  
**RS 15**  
**RS 215**  
**RS 10M**  
**RS 12M**  
**RS 15M**



**2-way Loudspeaker Speaker Systems**

## Owners Manual

**SAMSON**  
A U D I O

Download from [www.Somanuals.com](http://www.Somanuals.com). All Manuals Search And Download.

**SOUND REINFORCEMENT**

# Safety Instructions/Consignes de sécurité/Sicherheitsvorkehrungen/Instrucciones de seguridad



**WARNING:** To reduce the risk of fire or electric shock, do not expose this unit to rain or moisture. To reduce the hazard of electrical shock, do not remove cover or back. No user serviceable parts inside. Please refer all servicing to qualified personnel. The lightning flash with an arrowhead symbol within an equilateral triangle, is intended to alert the user to the presence of uninsulated "dangerous voltage" within the products enclosure that may be of sufficient magnitude to constitute a risk of electric shock to persons. The exclamation point within an equilateral triangle is intended to alert the user to the presence of important operating and maintenance (servicing) instructions in the literature accompanying the product.

## Important Safety Instructions

1. Please read all instructions before operating the unit.
2. Keep these instructions for future reference.
3. Please heed all safety warnings.
4. Follow manufacturers instructions.
5. Do not use this unit near water or moisture.
6. Clean only with a damp cloth.
7. Do not block any of the ventilation openings. Install in accordance with the manufacturers instructions.
8. Do not install near any heat sources such as radiators, heat registers, stoves, or other apparatus (including amplifiers) that produce heat.
9. Do not defeat the safety purpose of the polarized or grounding-type plug. A polarized plug has two blades with one wider than the other. A grounding type plug has two blades and a third grounding prong. The wide blade or third prong is provided for your safety. When the provided plug does not fit your outlet, consult an electrician for replacement of the obsolete outlet.
10. Protect the power cord from being walked on and pinched particularly at plugs, convenience receptacles and at the point at which they exit from the unit.
11. Unplug this unit during lightning storms or when unused for long periods of time.
12. Refer all servicing to qualified personnel. Servicing is required when the unit has been damaged in any way, such as power supply cord or plug damage, or if liquid has been spilled or objects have fallen into the unit, the unit has been exposed to rain or moisture, does not operate normally, or has been dropped.

**ACHTUNG:** Um die Gefahr eines Brandes oder Stromschlags zu verringern, sollten Sie dieses Gerät weder Regen noch Feuchtigkeit aussetzen. Um die Gefahr eines Stromschlags zu verringern, sollten Sie weder Deckel noch Rückwand des Geräts entfernen. Im Innern befinden sich keine Teile, die vom Anwender gewartet werden können. Überlassen Sie die Wartung qualifiziertem

Fachpersonal. Der Blitz mit Pfeilspitze im gleichseitigen Dreieck soll den Anwender vor nichtisolierter "gefährlicher Spannung" im Geräteinnern warnen. Diese Spannung kann so hoch sein, dass die Gefahr eines Stromschlags besteht. Das Ausrufezeichen im gleichseitigen Dreieck soll den Anwender auf wichtige Bedienungs- und Wartungsanleitungen aufmerksam machen, die im mitgelieferten Informationsmaterial näher beschrieben werden.

## Wichtige Sicherheitsvorkehrungen

1. Lesen Sie alle Anleitungen, bevor Sie das Gerät in Betrieb nehmen.
2. Bewahren Sie diese Anleitungen für den späteren Gebrauch gut auf.
3. Bitte treffen Sie alle beschriebenen Sicherheitsvorkehrungen.
4. Befolgen Sie die Anleitungen des Herstellers.
5. Benutzen Sie das Gerät nicht in der Nähe von Wasser oder Feuchtigkeit.
6. Verwenden Sie zur Reinigung des Geräts nur ein feuchtes Tuch.
7. Blockieren Sie keine Belüftungsöffnungen. Nehmen Sie den Einbau des Geräts nur entsprechend den Anweisungen des Herstellers vor.
8. Bauen Sie das Gerät nicht in der Nähe von Wärmequellen wie Heizkörpern, Wärmeklappen, Öfen oder anderen Geräten (inklusive Verstärkern) ein, die Hitze erzeugen.
9. Setzen Sie die Sicherheitsfunktion des polarisierten oder geerdeten Steckers nicht außer Kraft. Ein polarisierter Stecker hat zwei flache, unterschiedlich breite Pole. Ein geerdeter Stecker hat zwei flache Pole und einen dritten Erdungsstift. Der breitere Pol oder der dritte Stift dient Ihrer Sicherheit. Wenn der vorhandene Stecker nicht in Ihre Steckdose passt, lassen Sie die veraltete Steckdose von einem Elektriker ersetzen.
10. Schützen Sie das Netzkabel dahingehend, dass niemand darüber laufen und es nicht geknickt werden kann. Achten Sie hierbei besonders auf Netzstecker, Mehrfachsteckdosen und den Kabelanschluss am Gerät.
11. Ziehen Sie den Netzstecker des Geräts bei Gewittern oder längeren Betriebspausen aus der Steckdose.
12. Überlassen Sie die Wartung qualifiziertem Fachpersonal. Eine Wartung ist notwendig, wenn das Gerät auf irgendeine Weise, beispielsweise am Kabel oder Netzstecker beschädigt wurde, oder wenn Flüssigkeiten oder Objekte in das Gerät gelangt sind, es Regen oder Feuchtigkeit ausgesetzt war, nicht mehr wie gewohnt betrieben werden kann oder fallen gelassen wurde.

**ATTENTION:** Pour éviter tout risque d'électrocution ou d'incendie, ne pas exposer cet appareil à la pluie ou à l'humidité. Pour éviter tout risque d'électrocution, ne pas ôter le couvercle ou le dos du boîtier. Cet appareil ne contient aucune pièce remplaçable par l'utilisateur. Confiez toutes les réparations à un personnel qualifié. Le signe avec un éclair dans un triangle prévient l'utilisateur de la présence d'une tension dangereuse et non isolée dans l'appareil. Cette tension constitue un risque d'électrocution. Le signe avec un point d'exclamation dans un triangle prévient l'utilisateur d'instructions importantes relatives à l'utilisation et à la maintenance du produit.

## Consignes de sécurité importantes

1. Veuillez lire toutes les instructions avant d'utiliser l'appareil.
2. Conserver ces instructions pour toute lecture ultérieure.
3. Lisez avec attention toutes les consignes de sécurité.
4. Suivez les instructions du fabricant.
5. Ne pas utiliser cet appareil près d'une source liquide ou dans un lieu humide.
6. Nettoyez l'appareil uniquement avec un tissu humide.
7. Veillez à ne pas obstruer les fentes prévues pour la ventilation de l'appareil. Installez l'appareil selon les instructions du fabricant.
8. Ne pas installer près d'une source de chaleur (radiateurs, etc.) ou de tout équipement susceptible de générer de la chaleur (amplificateurs de puissance par exemple).
9. Ne pas retirer la terre du cordon secteur ou de la prise murale. Les fiches canadiennes avec polarisation (avec une lame plus large) ne doivent pas être modifiées. Si votre prise murale ne correspond pas au modèle fourni, consultez votre électricien.
10. Protégez le cordon secteur contre tous les dommages possibles (pincement, tension, torsion, etc.). Veillez à ce que le cordon secteur soit libre, en particulier à sa sortie du boîtier.
11. Déconnectez l'appareil du secteur en présence d'orage ou lors de périodes d'inutilisation prolongées.
12. Consultez un service de réparation qualifié pour tout dysfonctionnement (dommage sur le cordon secteur, baisse de performances, exposition à la pluie, projection liquide dans l'appareil, introduction d'un objet dans le boîtier, etc.).

**PRECAUCION:** Para reducir el riesgo de incendios o descargas, no permita que este aparato quede expuesto a la lluvia o la humedad. Para reducir el riesgo de descarga eléctrica, nunca quite la tapa ni el chasis. Dentro del aparato no hay piezas susceptibles de ser reparadas por el usuario. Dirija cualquier reparación al servicio técnico oficial. El símbolo del relámpago dentro del triángulo equilátero pretende advertir al usuario de la presencia de "voltajes peligrosos" no aislados dentro de la carcasa del producto, que pueden ser de la magnitud suficiente como para constituir un riesgo de descarga eléctrica a las personas. El símbolo de exclamación dentro del triángulo equilátero quiere advertirle de la existencia de importantes instrucciones de manejo y mantenimiento (reparaciones) en los documentos que se adjuntan con este aparato.

## Instrucciones importantes de seguridad

1. Lea todo este manual de instrucciones antes de comenzar a usar la unidad.
2. Conserve estas instrucciones para cualquier consulta en el futuro.
3. Cumpla con todo lo indicado en las precauciones de seguridad.
4. Observe y siga todas las instrucciones del fabricante.
5. Nunca utilice este aparato cerca del agua o en lugares húmedos.
6. Limpie este aparato solo con un trapo suave y ligeramente humedecido.
7. No bloquee ninguna de las aberturas de ventilación. Instale este aparato de acuerdo a las instrucciones del fabricante.
8. No instale este aparato cerca de fuentes de calor como radiadores, calentadores, hornos u otros aparatos (incluyendo amplificadores) que produzcan calor.
9. No anule el sistema de seguridad del enchufe de tipo polarizado o con toma de tierra. Un enchufe polarizado tiene dos bornes, uno más ancho que el otro. Uno con toma de tierra tiene dos bornes normales y un tercero para la conexión a tierra. El borne ancho o el tercero se incluyen como medida de seguridad. Cuando el enchufe no encaje en su salida de corriente, llame a un electricista para que le cambie su salida anticuada.
10. Evite que el cable de corriente quede en una posición en la que pueda ser pisado o aplastado, especialmente en los enchufes, receptáculos y en el punto en el que salen de la unidad.
11. Desconecte de la corriente este aparato durante las tormentas eléctricas o cuando no lo vaya a usar durante un periodo de tiempo largo.
12. Dirija cualquier posible reparación solo al servicio técnico oficial. Deberá hacer que su aparato sea reparado cuando esté dañado de alguna forma, como si el cable de corriente o el enchufe están dañados, o si se han derramado líquidos o se ha introducido algún objeto dentro de la unidad, si esta ha quedado expuesta a la lluvia o la humedad, si no funciona normalmente o si ha caído al suelo.

---

# Table of Contents

<b>Introduction</b>	2
<b>Resound Features</b>	3
<b>Resound Components</b>	4
<b>Controls and Functions</b>	5
Connecting the Resound Speaker System	
Choosing the Correct Cables	
Powering the Resound	
<b>Quick Set-Up</b>	6
Positioning the Resound	7
Setting up your Resound	8
<b>Resound Wiring Guide</b>	9
<b>Specifications</b>	10 - 11
Notes	12

Copyright 2003, Samson Technologies Corp.

Printed December, 2003

Samson Technologies Corp.  
575 Underhill Blvd.  
P.O. Box 9031  
Syosset, NY 11791-9031  
Phone: 1-800-3-SAMSON (1-800-372-6766)  
Fax: 516-364-3888  
[www.samsontech.com](http://www.samsontech.com)

---

# Introduction

Congratulations on purchasing the Samson Resound Series loudspeaker system! The Resound speaker systems by Samson takes the concept of PA systems to a new level. Whether you are using the RS10, RS12, RS15 or RS215 front-firing PA speakers for main "front of house" PA, or the RS10M, RS12M or RS15M for wedge floor monitors, the Resound series will provide clear sound with a lot of output. By combining high power handling, advanced crossover design, along with quality speaker and cabinet components, the Resound series provides premium audio for any kind of live application. For deep low end that stays tight and punchy, each of the Resound loudspeakers features heavy-duty, custom designed low frequency drivers. A ten-inch woofer in the Resound RS10 and RS10M , a 12-inch for the Resound RS12 and RS12M and 15-inch woofers for the RS15, RS15M and RS215M. To handle the high frequency content, the Resound series employs a 1.75-inch (44 millimeter) mylar diaphragm high frequency driver on a 1" throat, wide dispersion horn. The result, the Resound series speaker systems offer crystal-clear audio and an ultra-wide sound field. To make your connections simple, each Resound model provides both 1/4-inch and NEUTRIK SPEAKON® Input and Extension output connectors. Heavy-grade steel grills and durable carpet covering offer excellent protection against wear and tear. The compact cabinets can be placed on the floor or stand mounted using the integral 1 3/8" pole mount receptacle. With the Resound, setup and break down is quick and easy. As fixed sound reinforcement or as a durable, great-sounding road PA, the Resound monitor is ideal for sound professionals and performers looking for serious output and studio monitor sound quality from a PA speaker system.

In these pages, you'll find a detailed description of the features of the Resound PA system, as well as a description of its front and rear panels, step-by-step instructions for its setup and use, and full specifications. You'll also find a warranty card enclosed—please don't forget to fill it out and mail it in so that you can receive online technical support and so we can send you updated information about these and other Samson products in the future.

With proper care your Resound will operate trouble free for many years. We recommend you record your serial number in the space provided below for future reference.

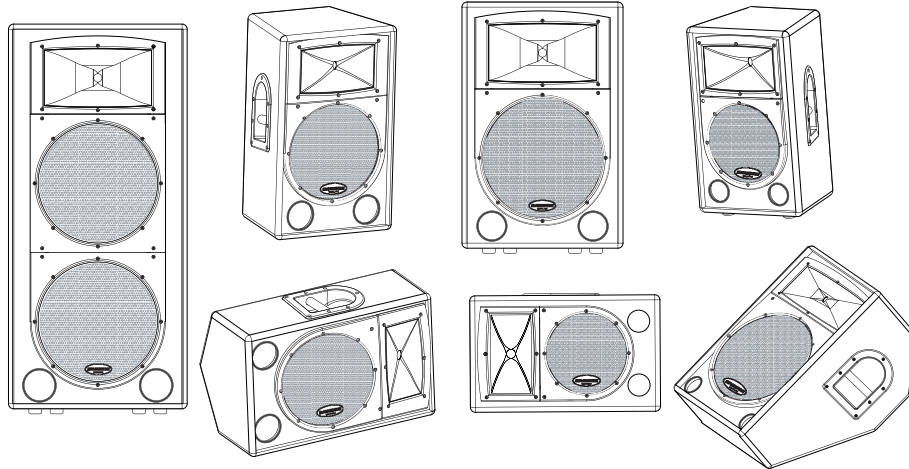
Serial number: \_\_\_\_\_

Date of purchase: \_\_\_\_\_

Should your unit ever require servicing, a Return Authorization number (RA) must be obtained before shipping your unit to Samson. Without this number, the unit will not be accepted. Please call Samson at 1-800-3SAMSON (1-800-372-6766) for a Return Authorization number prior to shipping your unit. Please retain the original packing materials and if possible, return the unit in the original carton and packing materials.

---

## Resound Features



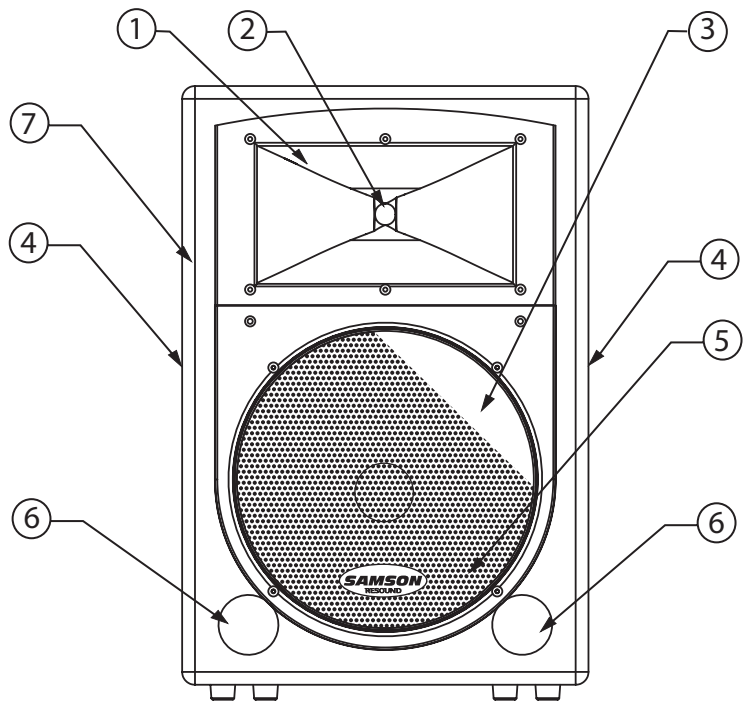
The Samson Resound series two-way loudspeaker systems offer several models to manage a variety of live sound applications. With their high quality components, convenient sized trapezoidal and monitor wedge enclosures, ergonomic carry handles and stand mounts, the Resound series system will provide great sound with reliability. Here are some of their main features:

- Two-way passive loudspeaker systems featuring high quality components and providing clean, articulate sound reinforcement for vocal and/or music reproduction.
- For deep bass response, the Resound series utilizes custom designed, heavy-duty, low-frequency drive units. The RS10 and RS10M feature a 10-inch woofer, while the RS12 and RS12M employ a 12-inch woofer, and 15-inch low frequency drivers are used in the RS15, RS215 and RS15M .
- For sweet highs that can cut through the back-line instruments, the Resound series systems incorporate a high-frequency compression driver with a 1.75-inch (44mm) mylar diaphragm fitted to a 1-inch (25mm) throat, 60 x 90 degree hi-frequency horn.
- The Resound series speakers carry high power ratings with the RS10 and RS10M capable of 125 watts continuous power handling, the RS12 and RS12M handling 175watts, the RS15 and RS15M reaching 225 watt continuous power and an enormous 700 watts continuous power handling for the RS215
- Neutrik Speakon ® plus 1/4-inch Input connectors interface easily with most any power amp or powered mixer.
- Neutrik Speakon ® plus 1/4-inch Extension output connectors also allow you to “daisy-chain” multiple Resound models together to create larger sound reinforcement systems.
- Internal 18 dB/octave crossover with high frequency lamp protection.
- RS10, RS12M and RS15M floor monitors offer two projection angles to adjust the sound coverage for different size stages.
- All models, including the monitor versions, can be stand mounted via their standard 1 3/8-inch speaker stand receptacles.
- Rugged, road-worthy carpet covered enclosures with steel speaker grills for high reliability.
- Quality build and rugged construction ensure reliable performance from night-to-night and venue-to-venue.
- Three-year extended warranty.

# Resound Components

## Resound FRONT PANEL

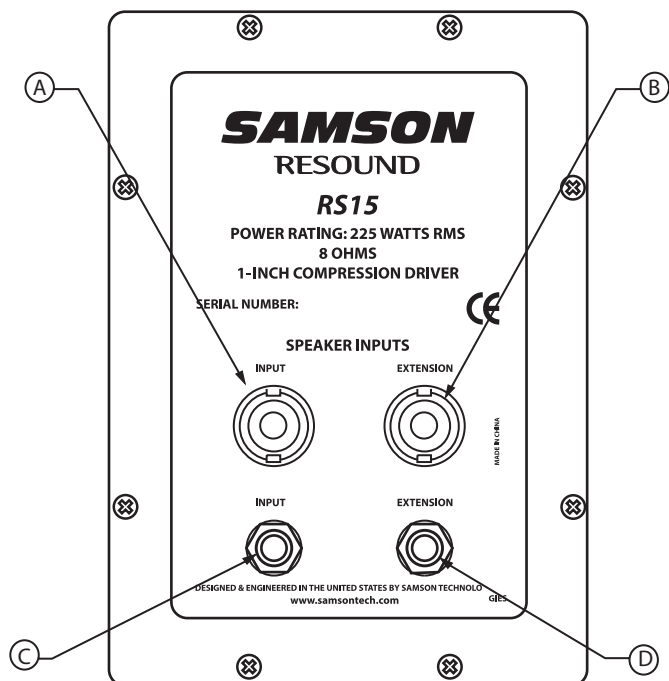
- ① **Wide Dispersion Horn** – 1 inch throat, 60 x 90 degree wide dispersion horn provides extensive coverage and linear, off axis response.
- ② **Mylar Compression Driver** – 1.75 inch (44mm), mylar diaphragm with 1 inch opening.
- ③ **15 Inch Driver** – Custom designed, heavy-duty, 15" low frequency driver provides deep bass.
- ④ **Handle** – One of two, ultra over-sized carry handles.
- ⑤ **Steel Grill** – Durable steel grill provides protection for, and easy access to, LF driver.
- ⑥ **Port Tube** – Two precision tuned, low frequency port tubes extend the bass response.
- ⑦ **Enclosure** – Rugged wooden enclosure durable carpet covering.



## Resound REAR PANEL

- A **INPUT** – Neutrik Speakon® input connector for connecting to the output of a power amplifier or powered mixer.
- B **EXTENSION** – Neutrik Speakon® parallel output connector for connecting additional Resound's.
- C **INPUT** – 1/4-inch phone input connector for connecting to the output of a power amplifier or powered mixer.
- D **EXTENSION** – 1/4-inch parallel output for connecting additional Resound's.

*Note: For a detailed wiring diagram, see page 9 of this manual.*





---

# Connecting the Resound Speaker System

## Choosing the Correct cables

The Resound series speakers connections are made via the rear panel 1/4-inch and/or Neutrik Speakon® connectors. Standard unshielded speaker wire, available at your local pro audio or music store, with either 1/4-inch phone or Speakon connectors and wire gauge of 12-14 is recommended.

If your amplifier uses binding posts you can use speaker cables with banana plugs, but be sure to pay attention to the plus and minus polarity when making the connections. It is important that your PA system is connected in phase otherwise you will not have the proper low-end response and stereo image.

In order to ensure that your PA system is in phase, be careful to pay close attention to the positive and negative marking on the amplifier and wires. Make sure that the + terminal of the speaker, or banana connector, is connected to the + terminal of the power amplifier and that the - terminal of the speaker, or banana connector, is connected to the - terminal of the power amplifier. *For a detailed wiring diagram, see page 9 of this manual.*

**Here's a tip:** It's fairly easy to identify a monitor that is out of phase just by listening, especially on a pop record. Listen for the parts of the music that you would expect to be in the center of the mix like kick drum and vocals. If you do not hear them directly in the center (for instance they sound like they are two signals panned hard right and left) then you are more than likely listening to an out-of-phase monitor system. (This test won't work on early Beatles records where Ringo's drum kit is panned all the way to the right side. Try a Madonna record.)

## About Impedance

Before you hook up your speaker cabinet, be sure that you understand a little about impedance. Impedance is the electronic load that the speaker puts on the power amplifier and is measured in Ohms.

Here is the tricky, yet simple rule of impedance: When two speakers, of equal impedance are wired in "Parallel", like when you use the Extension Output, the total impedance is cut in half and when two speakers are wired in "Series", (usually for internal cabinet wiring only), the total impedance is the sum of the speakers individual impedance.

Each of the Resound models, EXCEPT the RS215 is 8 Ohms. So, when two Resound models, EXCEPT the RS215 are connected together in parallel, the total impedance is 4 Ohms. The RS215 impedance is 4 Ohms. So, when two RS215's are connected together in parallel, the total impedance is 2 Ohms. The impedance of your speaker also has an effect on your amplifier. In general, the lower the impedance, the more power your amplifier will put out.

**IMPORTANT NOTE:** There is minimum safe impedance for running power amplifiers so be sure to check the manufacturer's recommended impedance for your amplifier to avoid any damage to your amplifier or voiding your warranty.

## Using the EXTENSION Output

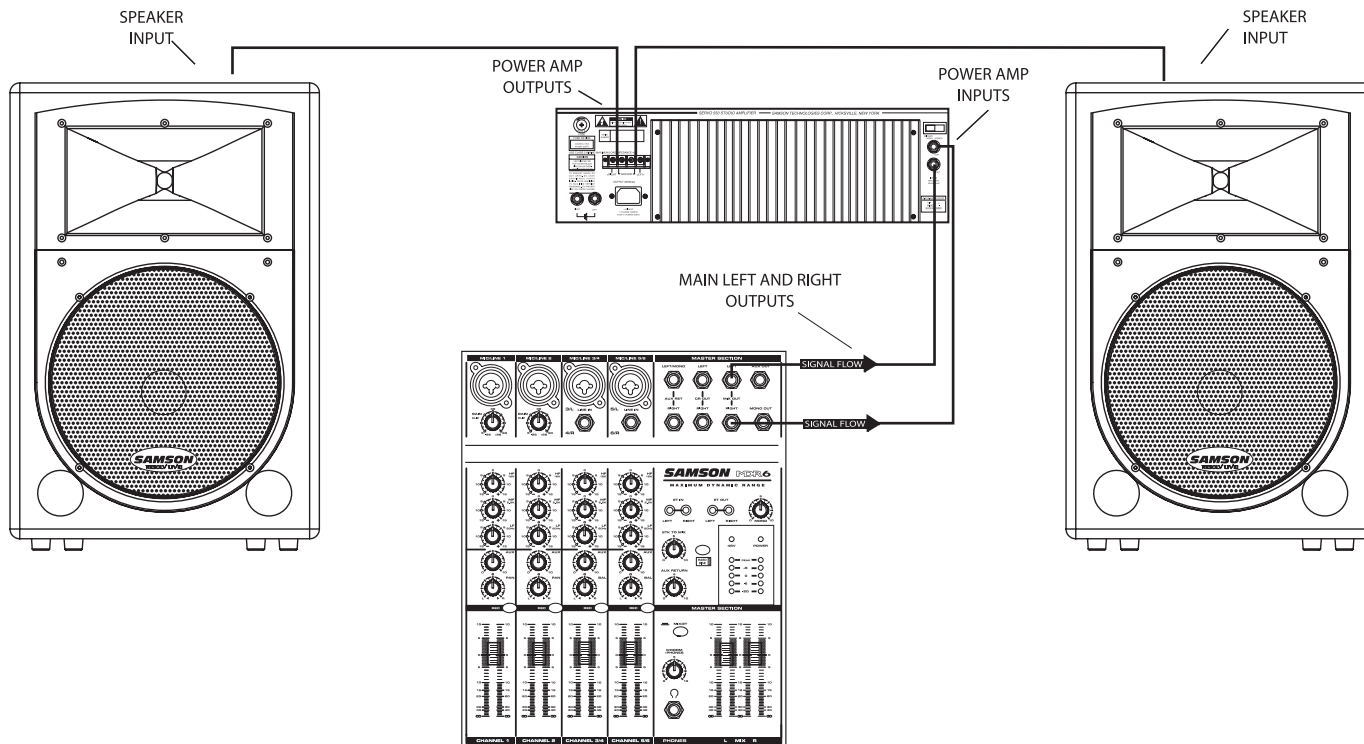
The Resound models provide a convenient Extension Output for connecting additional speaker cabinets in parallel. Be sure to read the section above on impedance to insure a proper hook up with your amplifier. To connect two Resounds using the Extension output, connect your amplifier output to the Input of the first Resound and then, connect the Extension Output to the Input of the second Resound.

## Powering the Resound

Each of the Resound loudspeakers have a specific power rating, which is printed on the input jack-plate, and also, in the Specification section on page 10 of this manual. Be sure to check that your power amp has the correct power output for your Resound. Be careful to consider the total impedance if you are connecting more than one Resound to one side of a stereo power amplifier. Using a power amplifier with too low of a power rating can be dangerous since the output signal is often clipped in an effort to get the desired level. Over powering the Resound can result in catastrophic failure and therefore using any amplifier with a power rating over the recommended power rating may void your warranty.

# Quick Set-Up

In the following pages of this manual you will find a detailed explanation of system set-ups, but if you just want to get started quickly, you can follow the diagram and steps below to set up a basic stereo PA system.



**NOTE:** Before plugging in and turning on, it is important to remember the Golden Rule of audio ... "LAST ON, FIRST OFF". Translated, this means that when turning on your system, you should always turn your power amplifiers or powered monitors on LAST, and when turning your system off, turn your power amps off FIRST. This helps avoid any loud pops caused by inrush current at power up, which can sometimes damage loudspeakers.

1. Before connecting your Resound's, make sure that the power of all your systems components are turned off. Also, make sure that your power amplifier volume controls and the main left and right faders of your mixer are turned all the way down.
2. Connect the cables to your microphones and instruments, or a CD player, to your mixer.
3. Switch on the power of the mixer, instruments and/or CD player, and then switch on your power amplifier.
4. While speaking into the mic (or playing the instrument or CD), raise the mixers main Left and Right faders to the "0" position. Be sure that the mixer's output meters are not clipping. If they are, adjust the mixer volumes down until the signal cleans up.
5. Now, slowly raise your power amp controls until you reach the desired listening level.



# Positioning the Resound

## Microphone Positioning - How to Reduce Feedback

Feedback is the annoying howling and squealing that is heard when the microphone gets too close to the speaker and the volume is high. You get feedback when the microphone picks up the amplified signal from the speaker, and then amplifies through the speaker again, and then picks it up again, and so on and so on. In general, it is always recommended that any LIVE mic (a mic that's on) is positioned behind the speaker enclosures. This will give you the best level from your system before feedback. One possible exception is when you are adjusting the sounds of the microphones, since you want to listen in front of the speaker to hear properly. To do this, lower the MAIN VOLUME while setting the EQ and effect from in front of the speakers. Once you have the sound you like, move the microphones to behind the speakers and raise the Main volume.

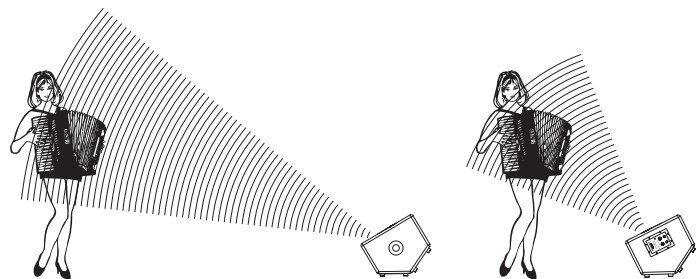
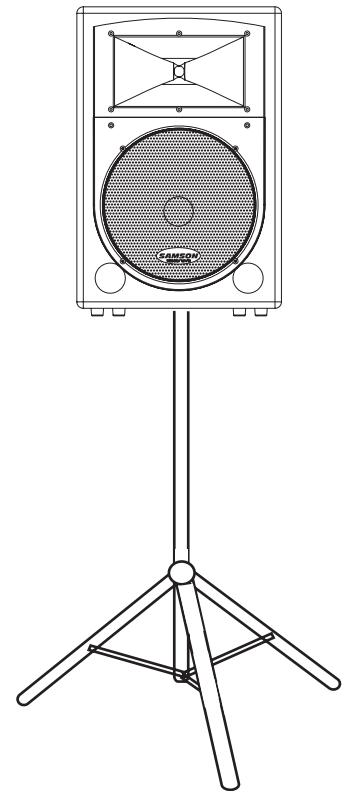
## Speaker Placement

Whenever possible, it is a good idea to raise the speakers above the heads of the listening audience. The Resound enclosure features a standard 1 3/8" pole mount receptacle, which is compatible with speaker stands from a variety of manufacturers.

## Using the Resound as a Floor Monitor

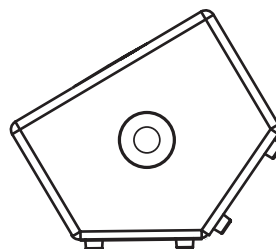
The Resound RS10M, RS12M and RS15M are ideal solutions for stage monitoring and thanks to the unique design of the RS10M and RS12M, two wedge monitor positions are possible. When placed on its side with the high frequency horn facing to the left of the enclosure, the RS10M and RS12M are tilted at a 25 degree angle optimizing performance when used on a small stage. When the monitors are placed on their side with the high frequency horn facing to the right of the enclosure, they are tilted at a 30 degree angle optimizing performance when used on larger stages. The RS15M features a wide dispersion pattern and is configured with a 30 degree angle making them ideal for electronic drum and keyboard monitors. In a large stage monitor system, several Resound's can be daisy-chained together using the EXTENSION SPEAKER output.

**Note:** Be sure to check the manufacturers minimum recommended impedance for your power amplifier to avoid overload and possible damage to both the speaker and amplifier. In many instances when using the Resound as a monitor system, you may choose to use an external equalizer like the Samson S Curve 131 to increase the volume and reduce the chance of feedback.

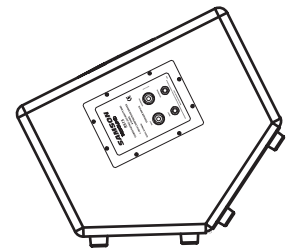


FAR FIELD

NEAR FIELD

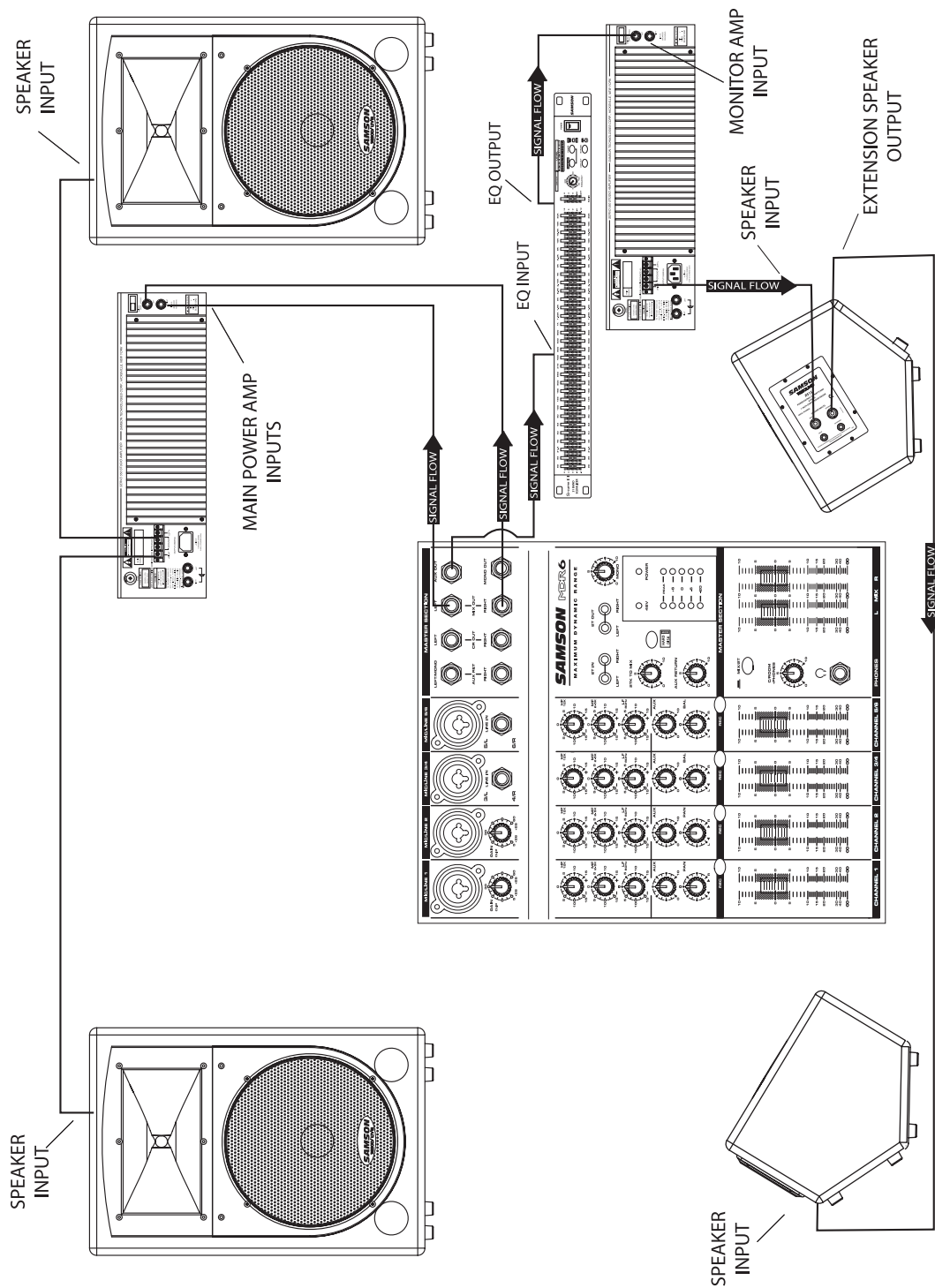


STAGE MONITOR POSITION  
25 DEGREES



STAGE MONITOR POSITION  
30 DEGREES

# Setting Up Your Resound System

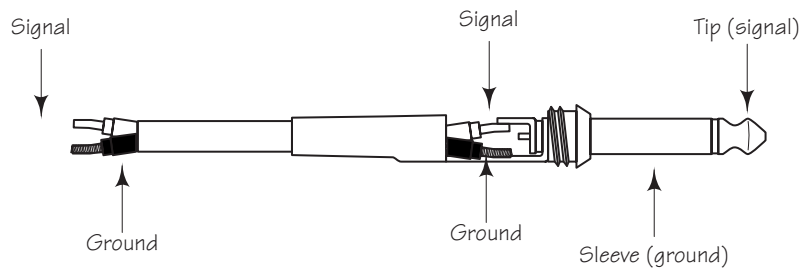


This example shows a typical PA system using a mixer with an external power amplifier and a pair of Resounds for the main left and right mix. A separate signal from the mixer's AUX/MONITOR bus is sent to two additional Resound's placed in the tilt-back, wedge positions for use as floor monitors. In order to increase the output of the monitor system, the use of an external graphic equalizer like one of the Samson "E" or "S curve" series is highly recommended.

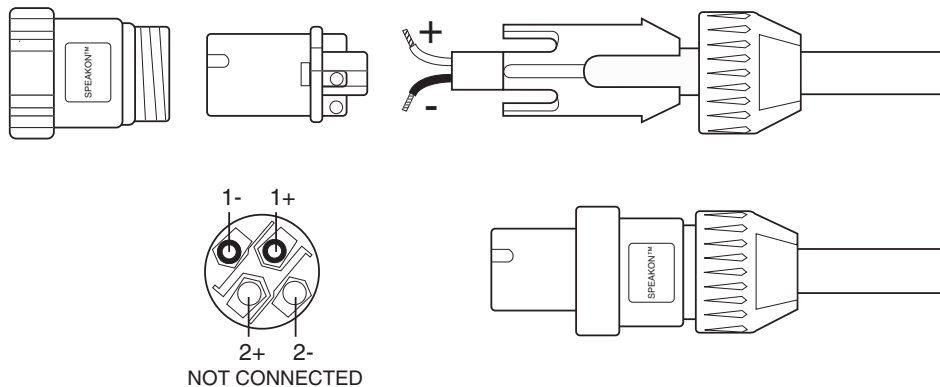
# RESOUND Wiring Guide

The Resound provides both Speakon and 1/4" phone connectors for easy interface with industry standard cables. You can use a variety of standard speaker cables that are available "off the shelf" at your local pro-audio or musical instrument retailer. Be sure that cables use standard, stranded speaker wire. A 12-14 gauge is recommended. If you are making your own cables, use the diagrams following below to ensure a proper hook up.

## Unbalanced 1/4" Connector



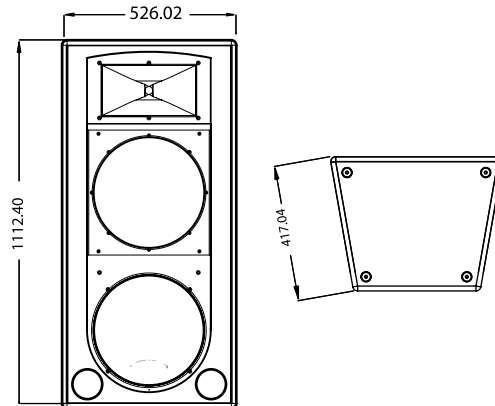
## Speakon Wiring Guide



# RESOUND Specifications

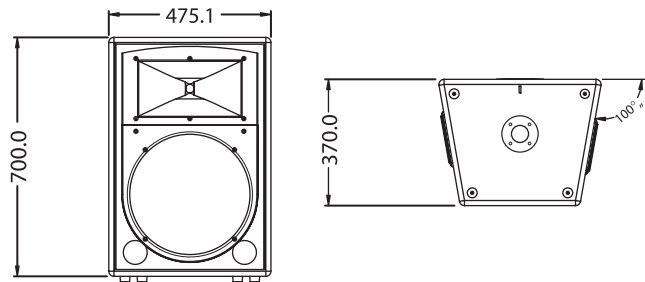
## RS215

**Power Rating (@ 8Ω):** 350 Watts RMS, 600 Watts Program  
**Nominal Impedance:** 4 Ohms  
**Frequency Response:** 35 Hz – 20 kHz ± 3 dB  
**Sensitivity:** 101 dB SPL @ 1W/1m  
**MAX SPL:** 128dB  
**LF Driver:** 2 x 15-inch heavy-duty driver  
**HF Driver:** 1-inch exit, 44mm Mylar diaphragm compression driver  
**Protection:** Internal overload Lamp on HF driver  
**Weight:** 80 lbs. 36.32 kg



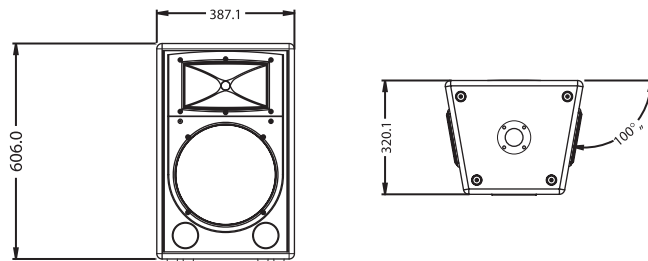
## RS15

**Power Rating (@ 8Ω):** 225 Watts RMS, 400 Watts Program  
**Nominal Impedance:** 8 Ohms  
**Frequency Response:** 40 Hz – 20 kHz ± 3 dB  
**Sensitivity:** 98 dB SPL @ 1W/1m  
**MAX SPL:** 122dB  
**LF Driver:** 15-inch heavy-duty driver  
**HF Driver:** 1-inch exit, 44mm Mylar diaphragm compression driver  
**Protection:** Internal overload Lamp on HF driver  
**Mounting:** Integral 1 3/8-inch Pole Mount Receptacle  
**Weight:** 51 lbs. 23.14 kg



## RS12

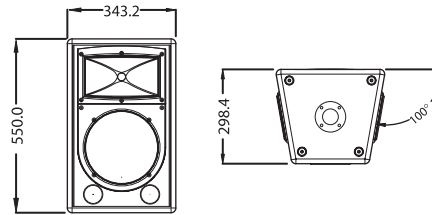
**Power Rating (@ 8Ω):** 175 Watts RMS, 300 Watts Program  
**Nominal Impedance:** 8 Ohms  
**Frequency Response:** 50 Hz – 20 kHz ± 3 dB  
**Sensitivity:** 97 dB SPL @ 1W/1m  
**MAX SPL:** 121dB  
**LF Driver:** 12-inch heavy-duty driver  
**HF Driver:** 1-inch exit, 44mm Mylar diaphragm compression driver  
**Protection:** Internal overload Lamp on HF driver  
**Mounting:** Integral 1 3/8-inch Pole Mount Receptacle  
**Weight:** 38.5 lbs. 17.5 kg



# RESOUND Specifications

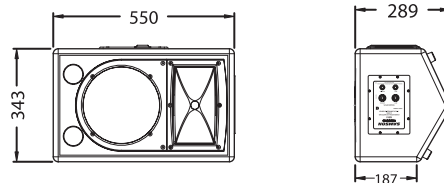
## RS10

Power Rating (@ 8Ω):	125 Watts RMS, 220 Watts Program
Nominal Impedance:	8 Ohms
Frequency Response:	60 Hz – 20 kHz ± 3 dB
Sensitivity:	95 dB SPL @ 1W/1m
MAX SPL:	115dB
LF Driver:	10-inch heavy-duty driver
HF Driver:	1-inch exit, 44mm Mylar diaphragm compression driver
Protection:	Internal overload Lamp on HF driver
Mounting:	Integral 1 3/8-inch Pole Mount Receptacle
Weight:	33.25 lbs. 15.1 kg



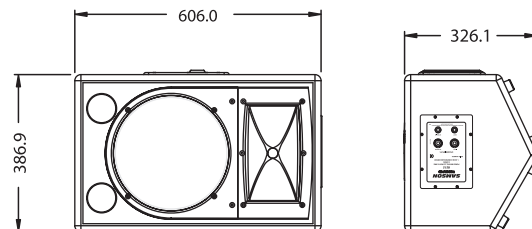
## RS10M

Power Rating (@ 8Ω):	125 Watts RMS, 220 Watts Program
Nominal Impedance:	8 Ohms
Frequency Response:	60 Hz – 20 kHz ± 3 dB
Sensitivity:	95 dB SPL @ 1W/1m
MAX SPL:	115 dB
LF Driver:	10-inch heavy-duty driver
HF Driver:	1-inch exit, 44mm Mylar diaphragm compression driver
Protection:	Internal overload Lamp on HF driver
Mounting:	25° and 30° wedge monitor position
Weight:	31.5 lbs. 14.28 kg



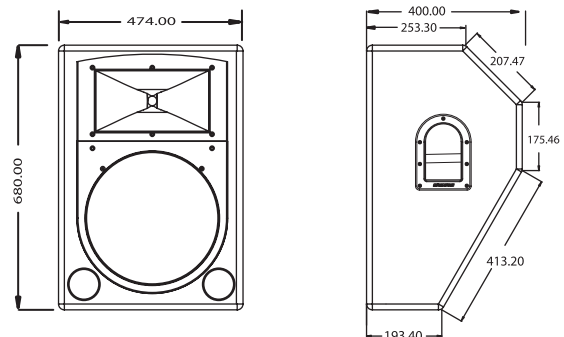
## RS12M

Power Rating (@ 8Ω):	175 Watts RMS, 300 Watts Program
Nominal Impedance:	8 Ohms
Frequency Response:	50 Hz – 20 kHz ± 3 dB
Sensitivity:	97 dB SPL @ 1W/1m
MAX SPL:	121dB
LF Driver:	12-inch heavy-duty driver
HF Driver:	1-inch exit, 44mm Mylar diaphragm compression driver
Protection:	Internal overload Lamp on HF driver
Mounting:	25° and 30° wedge monitor position
Weight:	37 lbs. 16.7 kg



## RS15M

Power Rating (@ 8Ω):	225 Watts RMS, 400 Watts Program
Nominal Impedance:	8 Ohms
Frequency Response:	40 Hz – 20 kHz ± 3 dB
Sensitivity:	98 dB SPL @ 1W/1m
MAX SPL:	126dB
LF Driver:	15-inch heavy-duty driver
HF Driver:	1-inch exit, 44mm Mylar diaphragm compression driver
Protection:	Internal overload Lamp on HF driver
Mounting:	30° wedge monitor position
Weight:	49 lbs. 22.2 kg



---

# Notes





Samson Technologies Corp.  
575 Underhill Blvd.  
P.O. Box 9031  
Syosset, NY 11791-9031  
Phone: 1-800-3-SAMSON (1-800-372-6766)  
Fax: 516-364-3888  
[www.samsontech.com](http://www.samsontech.com)

## Free Manuals Download Website

<http://myh66.com>

<http://usermanuals.us>

<http://www.somanuals.com>

<http://www.4manuals.cc>

<http://www.manual-lib.com>

<http://www.404manual.com>

<http://www.luxmanual.com>

<http://aubethermostatmanual.com>

Golf course search by state

<http://golfingnear.com>

Email search by domain

<http://emailbydomain.com>

Auto manuals search

<http://auto.somanuals.com>

TV manuals search

<http://tv.somanuals.com>