

PRODUCT

RESOUND RS12M

DESCRIPTION

MONITOR SPEAKER

SERIES

RESOUND

CATEGORY

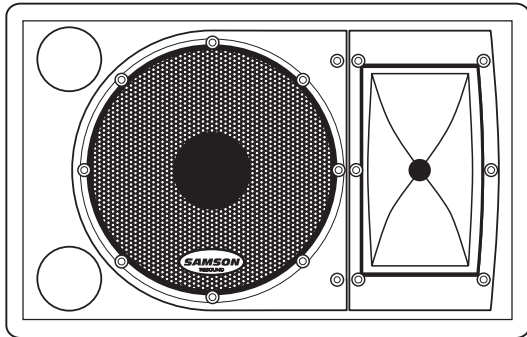
PUBLIC ADDRESS

TYPE:

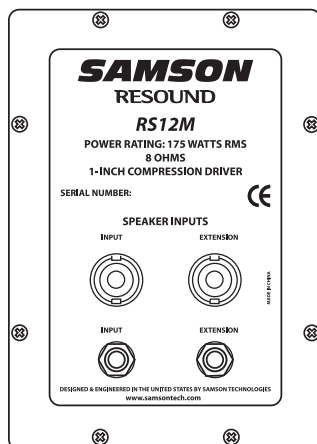
MIXERS



FRONT PANEL



BACK PANEL



GENERAL DESCRIPTION

The Resound RS12M speaker system by Samson takes the concept of PA systems to a new level. Whether you are using the RS12M as PA speakers for main "front of house" PA, or for wedge floor monitors, the Resound RS12M will provide clear sound with a lot of output. By combining high power handling, advanced crossover design, along with quality speaker and cabinet components, the Resound RS12M provides premium audio for any kind of live application. For deep low end that stays tight and punchy, the Resound RS12M features a 12 inch heavy-duty, custom designed low frequency driver. To handle the high frequency content, the Resound series employs a 1.75-inch (44 millimeter) mylar diaphragm high frequency driver on a 1" throat, wide dispersion horn. The result, the Resound RS12M speaker system offers crystal-clear audio and an ultra-wide sound field. To make your connections simple, each Resound RS12M provides both 1/4-inch and Neutrik Speakon® Input and Extension output connectors. Heavy-grade steel grills and durable carpet covering offer excellent protection against wear and tear. With the Resound RS12M, setup and break down is quick and easy. As fixed sound reinforcement or as a durable, great-sounding road PA, the Resound RS12M is ideal for sound professionals and performers looking for serious output and studio monitor sound quality from a PA speaker system.

FEATURES

- > Two-way passive loudspeaker systems featuring high quality components and providing clean, articulate sound reinforcement for vocal and/or music reproduction.
- > For deep bass response, the Resound RS12M utilizes a custom designed 12 inch, heavy-duty, low-frequency drive unit.
- > For sweet highs that can cut through the back-line instruments, the Resound series systems incorporate a high-frequency compression driver with a 1.75-inch (44mm) mylar diaphragm fitted to a 1-inch (25mm) throat, 60 x 90 degree hi-frequency horn.
- > The Resound RS12M speakers carry a high power rating capable of 175 watts continuous power handling.
- > Neutrik Speakon® plus 1/4-inch Input connectors interface easily with most any power amp or powered mixer.

continues>

PRODUCT SPECIFICATION SHEET

SERIES
RESOUND

DESCRIPTION
MONITOR SPEAKER

CATEGORY
PUBLIC ADDRESS



FEATURES (continued)

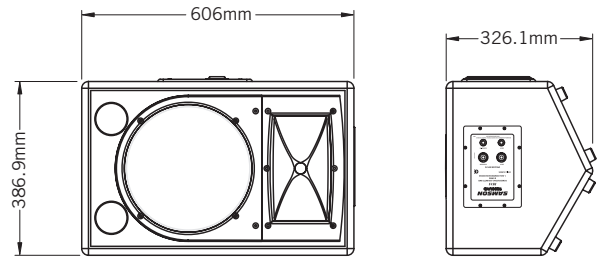
- > Neutrik Speakon® plus 1/4-inch Extension output connectors also allow you to “daisy-chain” multiple Resound models together to create larger sound reinforcement systems.
- > Internal 18 dB/octave crossover with high frequency lamp protection.
- > The RS12M floor monitors offer two projection angles to adjust the sound coverage for different size stages.
- > Rugged, road-worthy carpet covered enclosures with steel speaker grills for high reliability.
- > Quality build and rugged construction ensure reliable performance from night-to-night and venue-to-venue.
- > Three-year extended warranty.

ARCHITECT'S & ENGINEER'S SPECIFICATIONS

The Samson RS12M shall be a small format wooden PA or monitor cabinet. It shall have a 12 inch low frequency driver and a one inch throat horn loaded with a 44mm compression driver for the high frequencies. It shall have two tuned ports. It shall have both 1/4 inputs and 1/4 inch extension outputs. It shall have Speakon inputs and Speakon extension outputs. The cabinet shall have two side handles. The cabinet shall have two rear panel angles for long throw and short throw situations. The Samson RS12M shall have a power handling capacity of 175 Watts. It shall be an 8 Ohm configuration.

RS12M SPECIFICATIONS

Power Rating (@ 8Ω).....	175 Watts RMS, 300 Watts Peak
Nominal Impedance	8 Ohms
Frequency Response	50 Hz – 20 kHz ± 3 dB
Sensitivity	94 dB SPL @ 1W/1m
MAX SPL	116dB
LF Driver	12-inch heavy-duty driver
HF Driver	1-inch exit, 44mm Mylar diaphragm compression driver
Protection	Internal overload Lamp on HF driver
Mounting	25° and 30° wedge monitor position
Weight	37 lbs. (16.8 kg)



Free Manuals Download Website

<http://myh66.com>

<http://usermanuals.us>

<http://www.somanuals.com>

<http://www.4manuals.cc>

<http://www.manual-lib.com>

<http://www.404manual.com>

<http://www.luxmanual.com>

<http://aubethermostatmanual.com>

Golf course search by state

<http://golfingnear.com>

Email search by domain

<http://emailbydomain.com>

Auto manuals search

<http://auto.somanuals.com>

TV manuals search

<http://tv.somanuals.com>