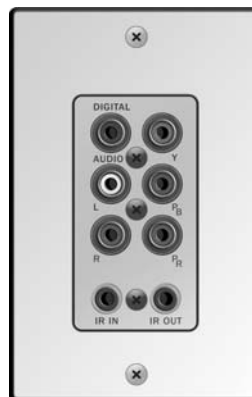




HDR44

FOUR SOURCE, FOUR ZONE HIGH DEFINITION VIDEO ROUTER



www.atonhome.com

HDR44 4x4 High Definition Video Router



Safety

NOTE: This equipment has been tested and found to comply with the limits for a Class B digital device, pursuant to part 15 of the FCC Rules. These limits are designed to provide reasonable protection against harmful interference in a residential installation. This equipment generates, uses and can radiate radio frequency energy and, if not installed and used in accordance with the instructions, may cause harmful interference to radio communications. However, there is no guarantee that interference will not occur in a particular installation.

If this equipment does cause harmful interference to radio or television reception, which can be determined by turning the equipment off and on, the user is encouraged to try to correct the interference by one or more of the following measures:

- Reorient or relocate the receiving antenna.
- Increase the separation between the equipment and receiver.
- Connect the equipment into an outlet on a circuit different from that to which the receiver is connected.
- Consult the dealer or an experienced radio/TV technician for help.

CAUTION: Changes or modifications not expressly approved by ATON could void the user's authority to operate the equipment

Caring For the HDR44

Clean only with a dry soft cloth.

It is important to properly care for your HDR44 HD Video Router. Follow these guidelines to ensure your device is preserved and protected.

- Do not expose the HDR44 to rain, liquids or moisture for an extended period of time.
- Do not expose the HDR44 to temperature extremes.
- Do not place any objects on top of the HDR44 to prevent chassis damage.

Operating Temperatures & Environments

- Operating Temperature: 32-104 °F (0-40 ° C)
- Humidity: 0-90%

Precautions

- Always exercise care when operating the HDR44 HD. Video Router
- Do not install near any heat sources such as radiators, heat registers, stoves, or other apparatus (including amplifiers) that produce heat.
- In the unlikely event that smoke, abnormal noise, or strange odor is present, immediately power the HDR44 off. Please report the problem to your dealer immediately.
- Never attempt to disassemble the HDR44. You will lose any product warranty on the unit.

Package Contents

HDR44 4x4 High Definition Video Router

R44IRM Slimline Remote Control

2 Meter RJ-45 to RJ-45 Cable

3.5mm Stereo Interconnect Cable

User/Installation Manual

ATON HDR44 Accessories

R44WP

HD Receive Wall Plate

R44IRM

Slimline IR Remote

REKT

Rack Ear Kit

Note: For more information and purchase options, visit our website at: www.atonhome.com.



Contents

- Safety Information 1**
- 1. Introduction 5**
 - Features 6
 - Front Panel Call-Out 7
 - Rear Panel 8
- 2. System Design Overview 9**
 - Applications 9
 - Basic 4 Source 4 Zone System 9
 - Expanded 4 Source 8 Zone System 10
- 3. Connections 11**
 - ALL IR OUT 11
 - EXTERNAL IR INPUT 12
 - SOURCE IR EMITTER OUTPUTS 13
 - COMPONENT VIDEO INPUTS 14
 - ANALOG AUDIO INPUTS 15
 - SPDIF DIGITAL INPUT 15
 - WALLPLATE OUTPUT CONNECTIONS 16
 - EXPANSION CONNECTIONS 21
 - CONTROL LOOP 22
 - COMPONENT VIDEO OUTPUT 22
 - ANALOG AUDIO INPUTS 23
 - SPDIF DIGITAL OUTPUTS 23
- 4. Settings & Operation 24**
 - IR Remote Control 24
 - Using The R44IRM 25
 - Individual Zone Control 25
 - System-wide Zone Control 25
- 5. Troubleshooting 26**
- Appendix A: R44WP HD Receive Wall Plate 28**
- Appendix B: Specifications 29**
- Appendix C: Rack Ear Kit 31**
- Limited Warranty Back Page**

HDR44 4x4 High Definition Video Router



1. Introduction

Modern Convenience

The HDR44 4 Source, 4 Zone High Definition Video Router and R44WP HD Receive Wall Plates provide the ability to view up to 4 different video sources in up to 8 separate areas (with additional HDR44 Chassis) of the home for total flexibility and convenience. No need to have multiple audio/video systems in different areas, just select a source from your IR remote, sit back and enjoy!

Simple Control

ATON's R44IRM Slimline IR System Remote (included) provides control of zone and source selection, etc. Use the R44IRM or download discrete IR codes from the ATON website (www.atonhome.com) to learn source and zone commands into 3rd party remotes for even greater control options of the HDR44.

Simple, Logical Installation

The HDR44 uses CAT-5 cabling, making it reliable and easy to install. Any video source with digital or analog outputs can be connected directly to the HDR44. R44WP HD Receive Wall Plates are then connected to the HDR44 using 2 CAT-5 cables, while sources are connected with and component video cables and digital and analog RCA connectors.



Figure 1-1: HDR44

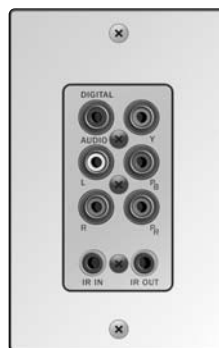


Figure 1-2: R44WP



HDR44 4x4 High Definition Video Router

HDR44 Features

- **4 Source, 4 Zone High Definition Video Router**
- **Expandable up to 8 Zones With Additional HDR44 Chassis**
- **Passes all Hi-Def Formats including 1080p**
- **Sends Component Video, Analog Audio, SPDIF Digital Audio & Two-Way IR Using 2 CAT-5 Cables**
- **500 Foot Range (HDR44 to R44 Wall Plate)**
- **Zone Specific IR Control using R44WP Wall Plates or System-wide Control Using External IR Input**
- **Source-Specific IR Routing Capabilities**
- **No PC Software Required For Setup**
- **Compact Single Rack Space Design**
- **Rack Mountable – Optional Rack Ear Kit Available (REKT)**
- **2 Year Limited Warranty**

R44WP Features

- **Receives All Video and Audio from the HDR44 Via 2 Cat-5 Cables**
- **Outputs HD Video, Analog, and Digital Audio to Each Zone**
- **IR Receiver Input on the Front and Back for Control of HDR44 and Connected Sources**
- **IR Emitter Loop Output for Control of In-Room Audio/Video Sources**
- **Single-Gang Decora® (Faceplate Included)**
- **Includes AIR1B Surface Mount IR Receiver**

Front Panel

The front panel of the HDR44 is populated simply by Zone Source LED's and a single Power LED. **Figure 1-3** and **Table 1-1** provide descriptions and locations of Front Panel indicators.



Figure 1-3: HDR44 Front Panel

	Indicator/Button	Function	LED
1	Zone 1 Source LED	Indicates Source 1-4 Status	Blue
2	Zone 2 Source LED	Indicates Source 1-4 Status	Blue
3	Zone 3 Source LED	Indicates Source 1-4 Status	Blue
4	Zone 4 Source LED	Indicates Source 1-4 Status	Blue
5	Power LED	Indicates Power ON/OFF Status	Red

Table 1-1: Front Panel



HDR44 4x4 High Definition Video Router

Rear Panel

The Rear Panel of the HDR44 has connections for IR, Expansion I/O, Analog and Digital Audio, Component Video, and Zone Wallplate Outputs . **Figure 1-4** and **Table 1-2** provide description and location of Rear Panel connections.

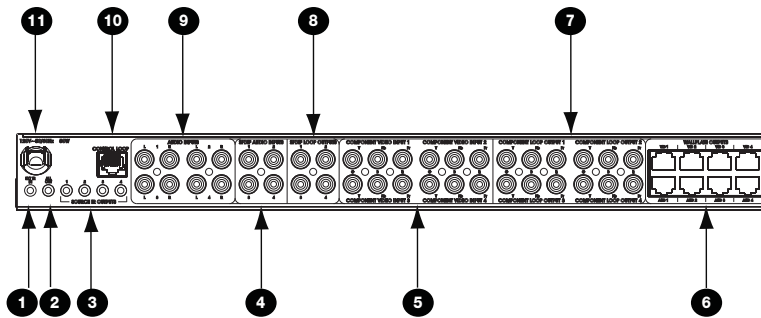


Figure 1-4 : HDR44 Rear Panel

	Connector	Function
1	EXT. IR In	3.5mm Stereo Mini Jack Connector for Use w/ ATON IR Receivers
2	IR ALL Out	3.5mm Mono Mini Jack Connector for Use With ATON IR Emitters or AIB4 IR Distribution Block
3	Source IR Outputs	3.5mm Mono Mini Jack Connectors for Use w/ ATON IR Emitters
4	Digital Audio Inputs	Coaxial Digital Audio Cable Connections
5	Component Video Inputs	Component Video Cable Connections
6	Wallplate Outputs	RJ45 (T568A Pinout) for Use w/ R44WP HD Receive Wallplates
7	Component Loop Outputs	Component Video Cable Connections to Additional Routers
8	SPDIF Loop Outputs	Coaxial Digital Audio Cable Connections to Additional Routers
9	Audio Inputs	RCA Audio Cable Connections
10	Control Loop	RJ45 Connection to Additional Routers
11	Power Connection	120 VAC-60Hz Wall Outlet Cord

Table 1-2: Rear Panel

2. System Design Overview

Applications

There are two typical system applications when installing the HDR44. These options can be combined throughout a system depending on the design of the application:

1. Basic 4 Source, 4 Zone System
2. Expanded 4 Source, 5-8 Zone System

Basic 4 Zone, 4 Source System

Figure 2-1 shows a basic HDR44 system with four sources and four zones. The system is comprised of a HDR44 HD Video Router, 4 Video Sources, 4 R44WP HD Receive Wall Plates, optional AV Receivers in two zones and ATON Storm Series Speakers. This configuration provides video and audio from each source into each zone as well as control of each source from each zone.

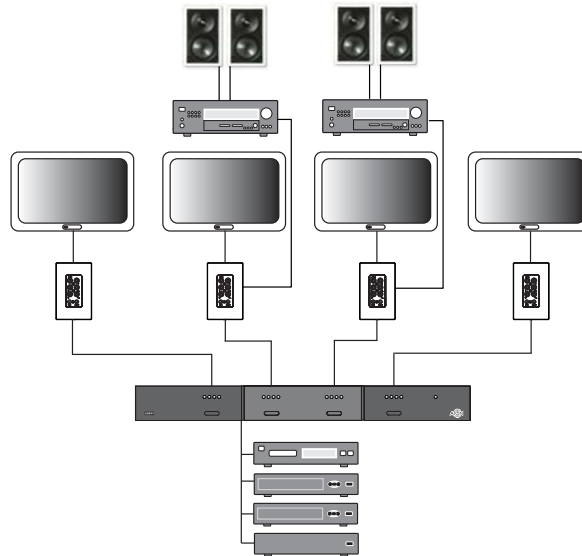


Figure 2-1: Basic System



HDR44 4x4 High Definition Video Router

Expanded 4 Source, 5-8 Zone System

Figure 2-2 shows an expanded system with four sources and eight zones. The system is comprised of two HDR44 HD Video Routers, 4 Video Sources, 8 R44WP HD Receive Wall Plates, optional AV Receivers in 4 zones, and ATON Storm Series Speakers. This configuration provides video and audio from each source into each zone as well as control of each source from each zone.

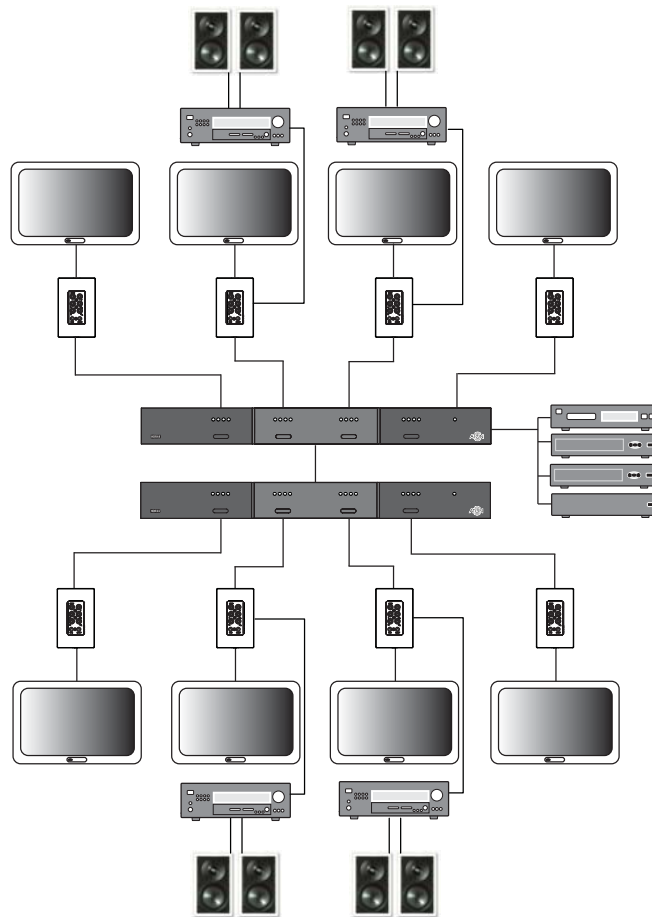


Figure 2-2: Expanded System

3. Connections

The HDR44 is part of an integrated system that requires the use of other ATON components. Depending on the system design, these components may include:

- **R44IRM Slimline IR Remote Control**
- **R44WP HD Receive Wall Plates - one per zone**
- **HDR44 Router - for systems containing from 5 to 8 zones.**
- **ATON IR Receivers and Emitters**

This section describes the connectivity between these various ATON components and the video source components that comprise the system. Each HDR44 system is unique, and not all connections will be made in every installation.

Important Safety Note: Make sure that the HDR44 is unplugged before making any connections.

ALL IR OUT

The ALL IR PORT is constantly active and passes IR information regardless of the source selected. This is useful for sources that may need control no matter which source is active, such as an HD TV Receiver, or for applications utilizing an expanded IR network including IR Distribution devices such as ATON's **AIB4 Amplified IR Connection Block** as shown below.

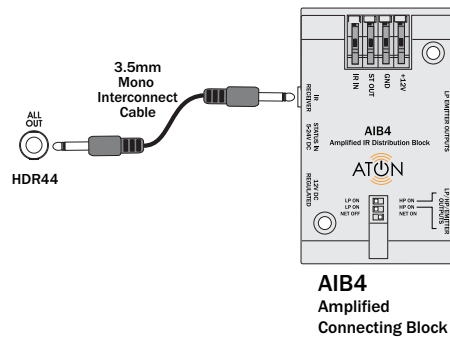


Figure 3-1: All OUT



HDR44 4x4 High Definition Video Router

EXT. IR INPUT

ATON multi-room applications can utilize the EXT.IR IN port of a single HDR44 chassis for IR control from a Universal/Learning RF-to-IR remote control. Use a 3.5mm mono interconnect cable to connect between an IR OUT port of a third party RF to IR converter and the EXT. IR IN port of the HDR44.

Note: This application is designed to work with a single chassis HDR44 system. For more advanced multi-chassis applications utilizing the EXT IR INPUT, please visit our website at www.atonhome.com.

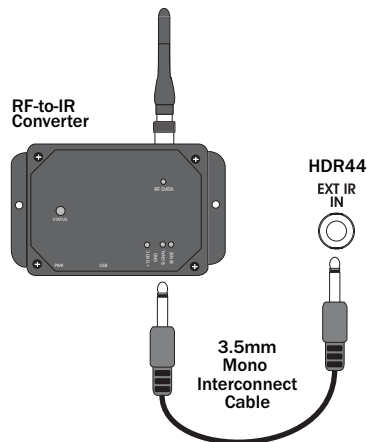


Figure 3-2: EXT. IR INPUT

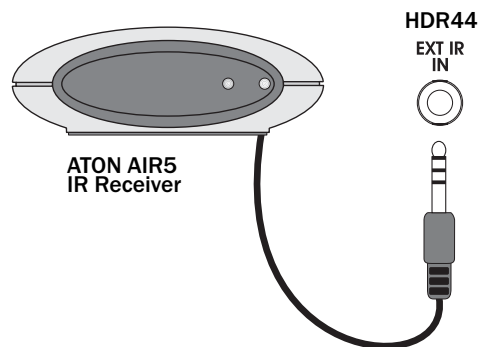


Figure 3-3: ATON AIR5 to EXT. IR INPUT

Multiple zones of a single HDR44 chassis can be controlled when utilizing an ATON AIR5 IR Receiver connected to the HDR44 EXT. IR INPUT.

Note: This application is designed to work with a single chassis HDR44 system. For more advanced multi-chassis applications utilizing the EXT IR INPUT, please visit our website at www.atonhome.com.

HDR44 4x4 High Definition Video Router



SOURCE IR OUTPUTS

Connect a standard IR Emitter (ATON AIE2, for example) from the Source IR OUT port on the rear of the HDR44 to the IR receiver on the front of the audio/video source (see **Figure 3-4**). The four source IR outputs are source specific. For example, IR port "1" must be mounted to the video source connected to "Component Video Input 1". For sources that have an IR Input port on the back of the unit, use a 3.5mm to 3.5mm mono interconnect cable instead .

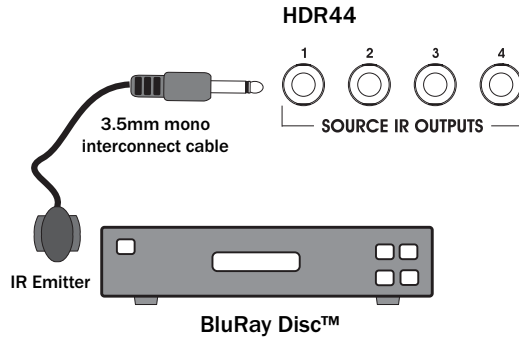


Figure 3-4 SOURCE IR OUTPUTS

Component Video Connections

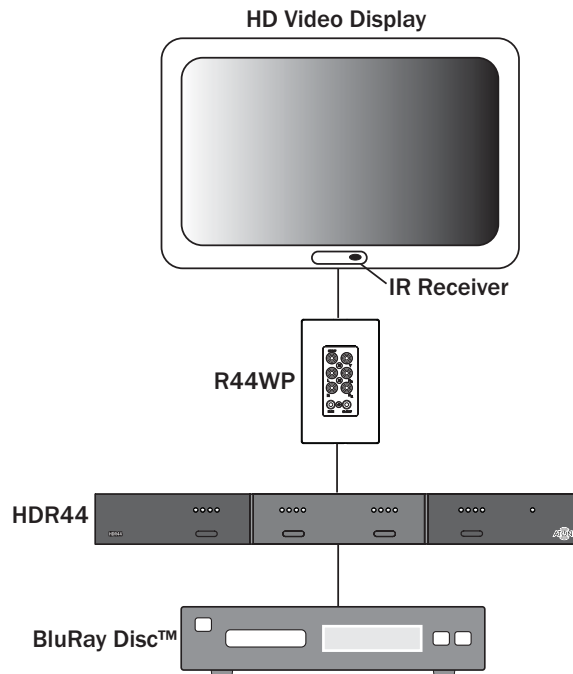


Figure 3-5: Component Video Signal Chain



HDR44 4x4 High Definition Video Router

COMPONENT VIDEO INPUTS

Use high-quality component video cables to make connections between video sources and the HDR44's inputs. Sources will typically be located near the HDR44 at the head-end of the system. Component video outputs as well as audio outputs and IR will be sent via Cat-5 cables from the head-end to R44WP HD Receive wall plates located throughout the house. Use high-quality component video cables to connect to each HD video display from the R44WP as well. See *Figure 3-12* on page 17 for detailed R44WP to HD video display connections.

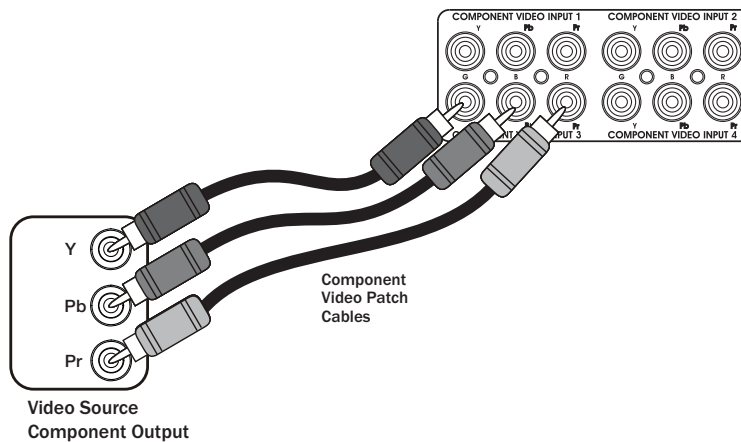


Figure 3-6: COMPONENT VIDEO INPUTS

Source Audio Connections

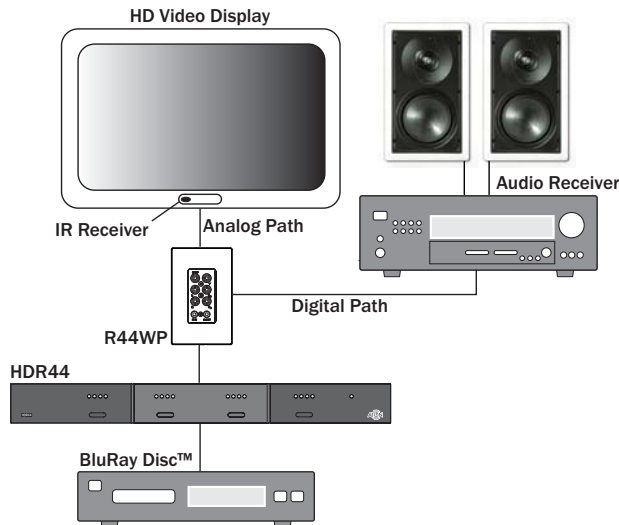


Figure 3-7: HDR44 Audio Pathway

AUDIO INPUTS

The HDR44 supports a total of four System Sources which are available to all four zones and can be sent to up to a total of eight zones using another HDR44 Router for system expansion. There are two types of Source Inputs. **Analog** (RCA), and **Digital Coaxial**.

Analog AUDIO INPUTS

Use a Stereo RCA patch cable to connect a video source with analog outputs to the HDR44's Analog Audio Inputs as shown in **Figure 3-8**.

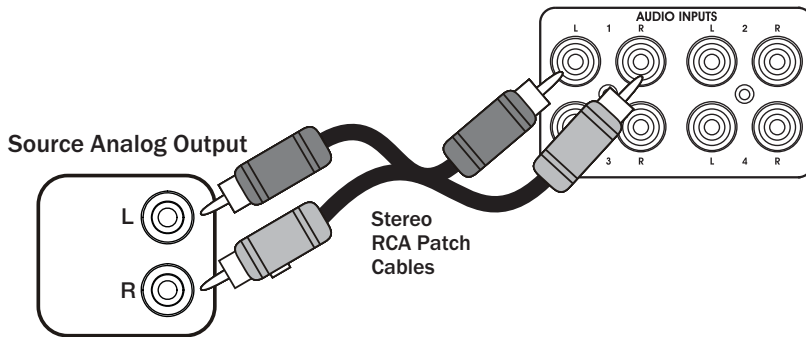


Figure 3-8: Analog AUDIO INPUTS

Note: If any or all connected video displays are designed to receive analog audio, be sure to make these analog audio connections. The R44WP does not convert digital audio inputs to analog audio or vice-versa.

SPDIF AUDIO INPUTS

Use a Digital Coaxial cable to connect a video source with a Digital Coaxial output to the HDR44's Source Input as shown in **Figure 3-9**. Digital Connections provide the best audio quality and should be used if available.

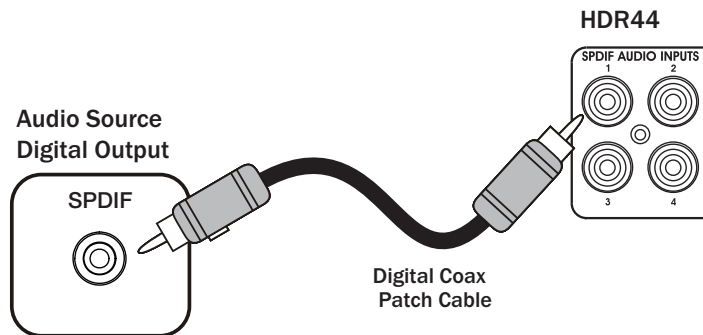


Figure 3-9: SPDIF AUDIO INPUTS

Note: If any or all connected video displays are designed to receive digital audio, be sure to make these digital audio connections. The R44WP does not convert analog audio inputs to digital audio or vice-versa.



HDR44 4x4 High Definition Video Router

Wall Plate Connections

A R44WP HD Receive Wall Plate is required to connect video, audio, and IR to a zone. The R44WP wall plate has component video, audio, and IR connections that connect to the Video and Audio inputs of each zone's HD Video Display. A run of (2) two Cat-5 Cables terminated to T-568A standard, shown in **Figure 3-11**, is required between the HDR44 and the location designated for the R44WP. Connections between a source component and the HDR44 are detailed in **Figure 3-6** through **Figure 3-9**, while connections between the R44WP and the zone HD Video Display are detailed in **Figure 3-12**.

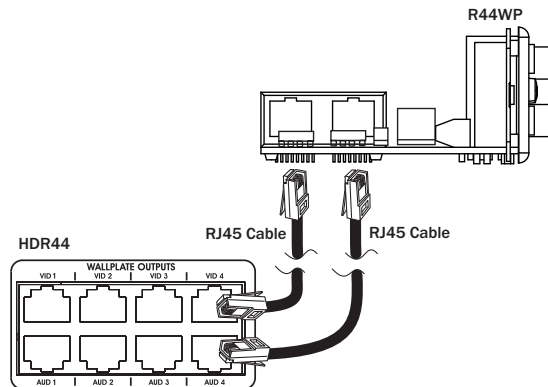


Figure 3-10: Wall Plate Connections

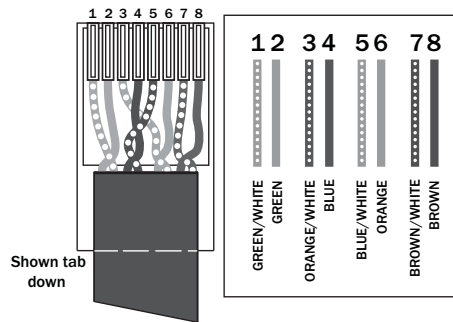


Figure 3-11: T568A Wiring Standard

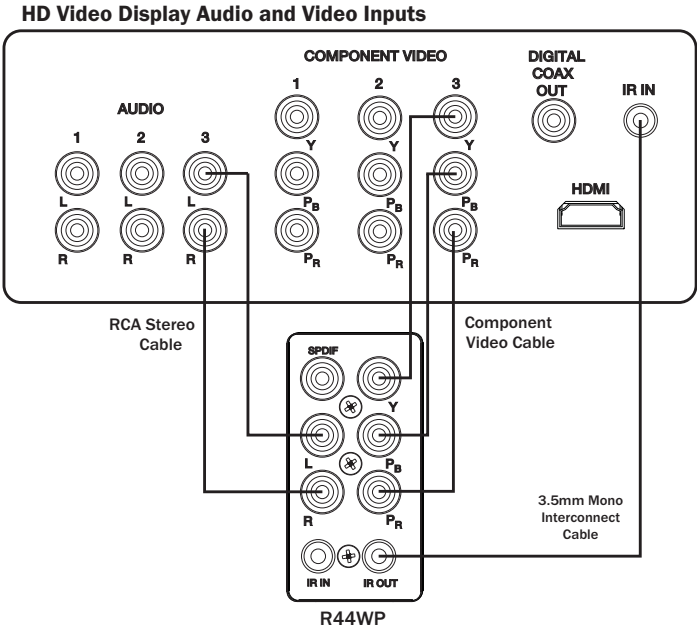


Figure 3-12: R44WP to HD Video Display



HDR44 4x4 High Definition Video Router

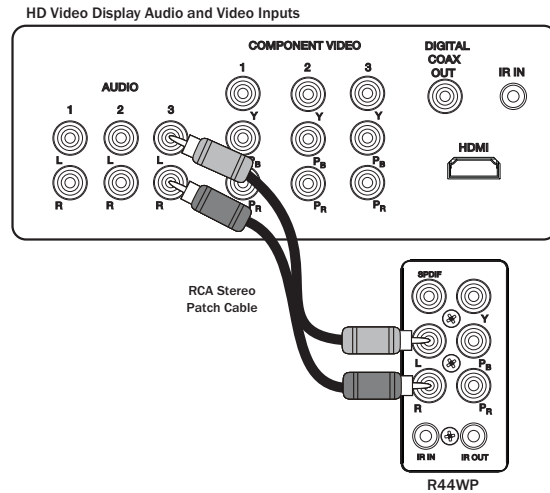


Figure 3-13: R44WP to Analog Audio Input

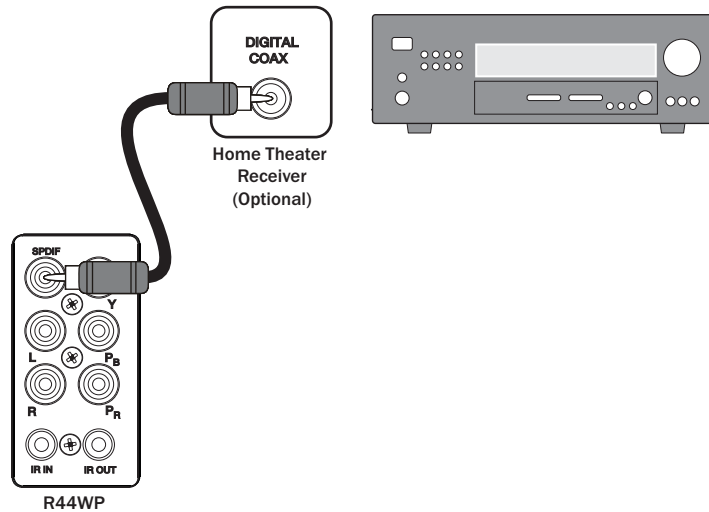


Figure 3-14: R44WP to Digital Coax Connector

Note: For applications where the SPDIF audio connection needs to be extended, install one RG59 or RG6 Coaxial cable in the wall from the R44WP Wall Plate to the AV Receiver location utilizing F connector to RCA adapters.

HDR44 4x4 High Definition Video Router



IR Connections

Front Panel IR Emitter Connection

Insert the 3.5mm plug of an IR emitter into the designated IR Out port of the R44WP and place the emitter on the IR receive window of an in-room video source or display.

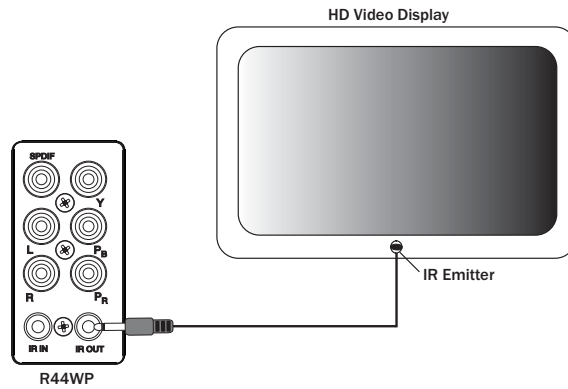


Figure 3-15: R44WP Front Panel IR Emitter Connection

Rear Panel IR Emitter Connection

Run a Cat-5 wire from the R44WP to the location of an in-room video source or AV Receiver. Next, cut off the 3.5mm plug of an IR emitter and strip back the wire jacket to expose the wires. Then, twist the bare ends of the IR emitter wires and splice them onto the appropriate conductors of the Cat-5 wire as shown in **Figure 3-16**. Finally, connect the correct Cat-5 conductors to the screw terminals of the R44WP.

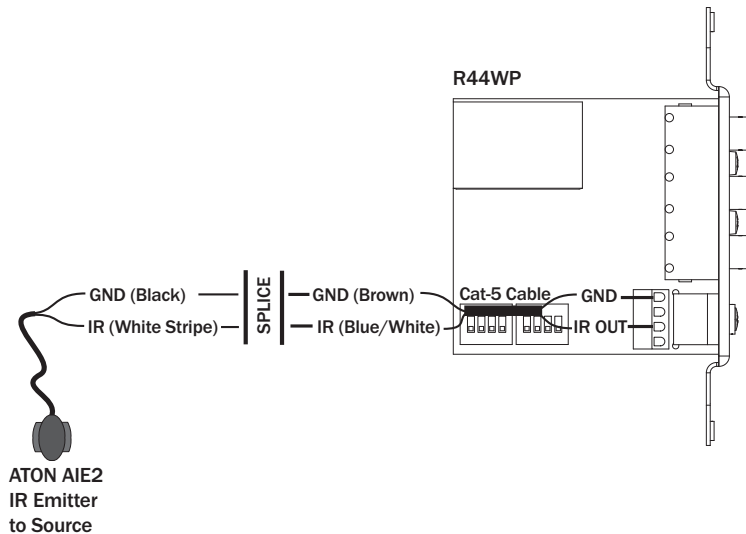


Figure 3-16: R44WP Rear IR Output



HDR44 4x4 High Definition Video Router

Front Panel IR Receiver Connection

Connect an ATON IR Receiver to R44WP front panel IR Input connector as shown in **Figure 3-17**.

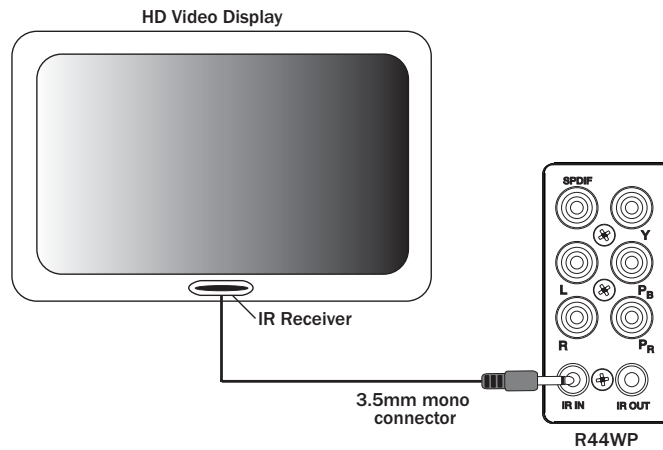


Figure 3-17: R44WP Front Panel IR IN Connection

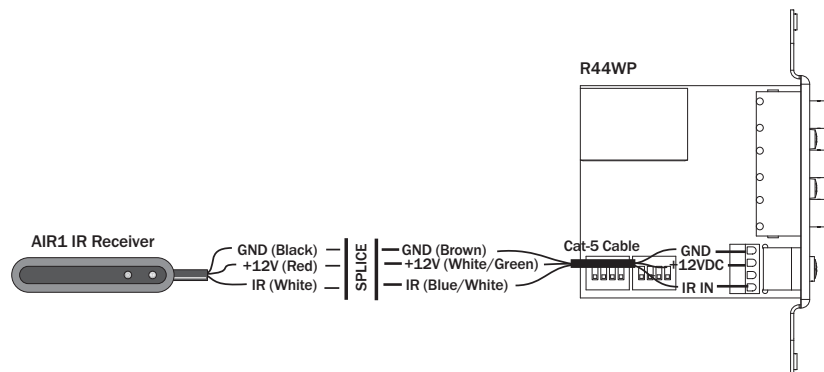


Figure 3-18: R44WP Rear Panel IR IN Connection

Run a Cat-5 wire from the R44WP to the IR Receiver location. Next, cut off the 3.5mm plug of the IR Receiver and strip back the wire jacket to expose the conductor wires. Then, strip the ends of the conductors and twist the bare ends of the IR Receiver wires to the appropriate conductors of the Cat-5 wire as shown in **Figure 3-18**. Finally, connect the correct Cat-5 conductors to the screw terminals of the R44WP.

Expansion Connections

System Expansion

The HDR44 is capable of supporting four sources in up to eight zones. The system may be expanded by adding an additional HDR44.

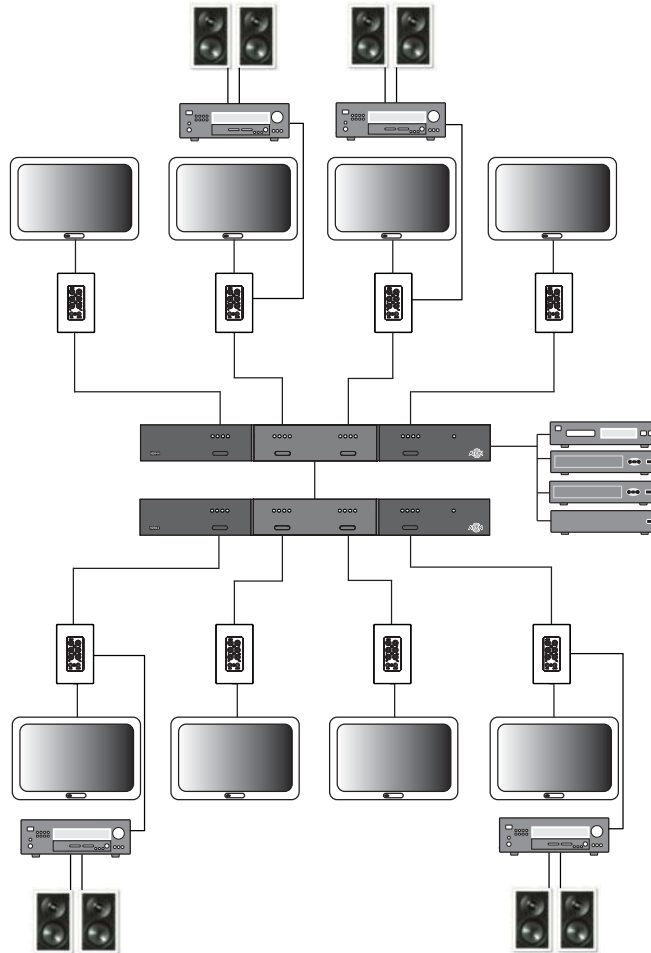


Figure 3-19: HDR44 Fully Expanded



HDR44 4x4 High Definition Video Router

CONTROL LOOP

For system expansion, connect the included Cat-5 patch cable from the HDR44's CONTROL LOOP port to one additional HDR44's CONTROL LOOP port. This will allow IR signals to pass from the expansion chassis through the first chassis so that the source equipment can be controlled.

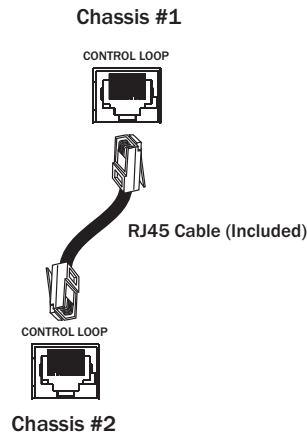


Figure 3-19: CONTROL LOOP

Component Video Outputs

Use high quality component video cables to loop connections from the main HDR44 to the expansion unit:

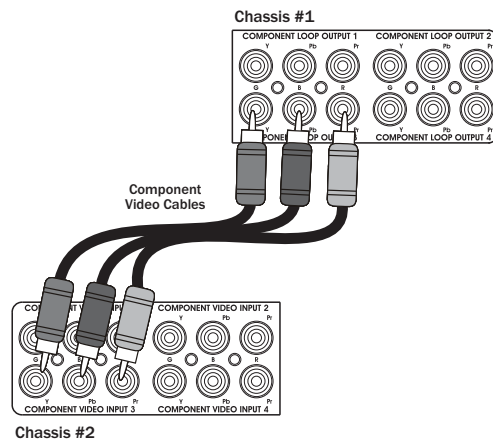


Figure 3-20: Component Video Loop Connection

HDR44 4x4 High Definition Video Router



Analog AUDIO INPUTS

Use stereo RCA “Y” cables to split the video source’s analog audio signal between to the main HDR44 and the expansion unit.

Note: “Y” cables are only required for the analog audio inputs.

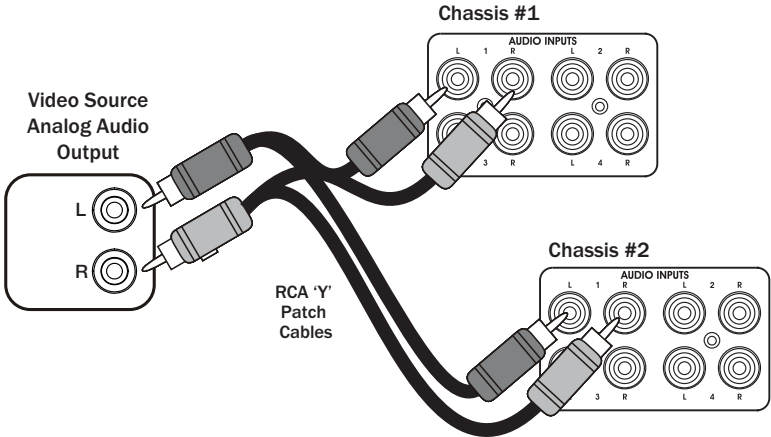


Figure 3-21: Audio Inputs 'Y' Connection

SPDIF Audio Outputs

Use a high quality digital coaxial cable to loop Digital Audio from the main HDR44 to the expansion unit:

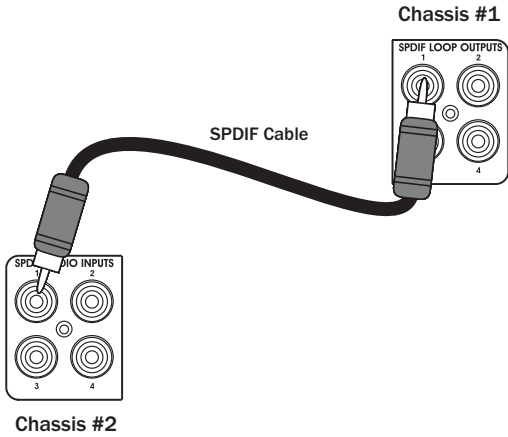


Figure 3-22: SPDIF Audio Loop Connection



4. Settings & Operation

Functions of the HDR44 may be controlled from the R44IRM Remote. IR codes from the R44IRM can also be learned into 3rd party universal learning remotes. Additionally, discrete HDR44 IR codes can be downloaded from the ATON website at www.atonhome.com and imported into most programmable universal learning remotes.

R44IRM Slimline IR Remote Control

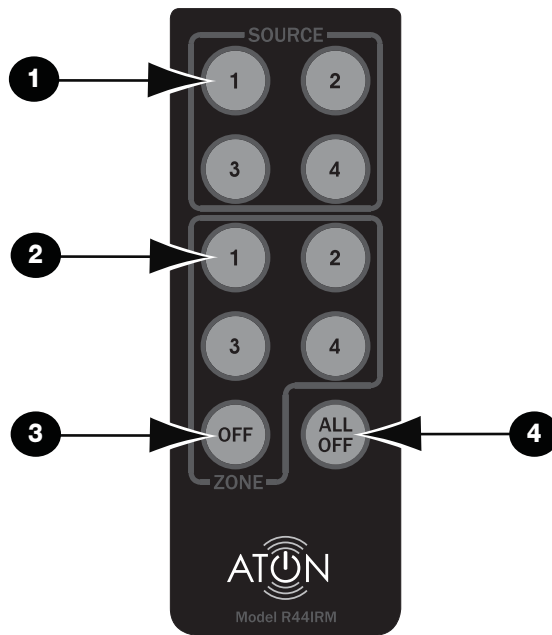


Figure 4-1: R44IRM Slimline IR Remote Control

	Function
1	Source Select buttons 1-4
2	Zone Select buttons 1-4
3	Zone Off button
4	All Off button

Table 4-1: R44IRM IR Remote Control Buttons

HDR44 4x4 High Definition Video Router



Using The R44IRM Remote

Individual Zone Control

When using R44IRM from an individual zone using an R44WP with an ATON IR receiver, only the four source **1** buttons need to be pressed. The zone buttons are not used.

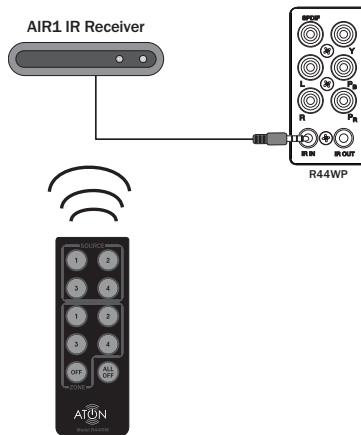


Figure 4-2: Individual Zone Control

System Wide Zone Control

When using the R44IRM from a single location using an IR receiver plugged into the EXT. IR IN port of the HDR44, the zone **2** and source **1** buttons must be used. For example, to select source 3 in zone 4, the button sequence must be **Zone 4**, then **Source 3**. Once the zone has been selected only the source buttons need to be used.

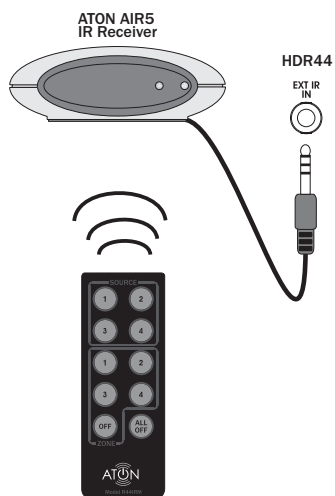


Figure 4-3: System Wide Zone Control



5. Troubleshooting

Table 5-1 provides troubleshooting information for the HDR44.

Symptom	Possible Cause	Solution
No audio present in a specific room	1. Source not playing.	Press Play, turn ON, etc.
	2. Room not selected	Select Room on Touch-pad or from IR Remote
	3. Room Output volume turned all the way down	Increase volume on video display or AV Receiver
	4. Speakers in room miswired or defective	a. Test known good speaker at amplifier location b. Verify connections
No video present in a specific room	1. Source not playing	Press Play, turn ON, etc.
	2. Room not selected	Select Room from IR Remote
	3. Cabling problem	Use cable tester to verify wallplate cabling continuity and test for shorts
Hum or buzz through system speakers	1. Ground loop	Ensure proper grounding using a three prong grounded AC outlet
	2. Amplifier level too high	Reduce amplifier level
Poor audio quality	1. Clipping or distortion	Reduce AV Receiver/Amplifier level
	2. Speakers out of phase	Carefully check polarity of each speaker
	3. Incorrect assignment of left/right source RCA cables or speaker cables	Isolate to source or room and correct
No video or poor video quality	No video signal, washed out or fuzzy video signal	Wallplate DIP switches configured incorrectly
No source control from IR Remote controller	1. Wiring: IR signal not reaching to controller or source	Verify wiring and correct
	2. Remote: Batteries Low	Change batteries



Symptom	Possible Cause	Solution
No source control whatsoever, source selection is OK	1. Wiring: IR connected to wrong port	Correct connection of IR Emitter
	2. IR Emitter defective	Replace IR Emitter
Intermittant source control	IR Flooding	IR indicator on talk-back emitter is flickering or is constantly lit, indicating IR flooding. Check for ambient light or plasma tv noise. Relocate IR Receiver, employ filter, or place receiver in different location



Appendix A: R44WP HD Receive Wall Plate

The R44WP wall plate has component video, digital and analog audio, and IR connections that connect to the Video and Audio inputs of each zones HD Video Display. A run of (2) two Cat-5 Cables terminated to T-568A standard (see page 16) is used between the location designated for the R44WP and the HDR44.

DIP Switch Settings R44WP

DIP Switches on the R44WP provide proper Control and Gain settings for variable lengths of Cat-5 cable, up to 500 feet. See the DIP Switch Setting Table for proper settings versus length.

Note: Both DIP Switches must be set independently for the same cable length.

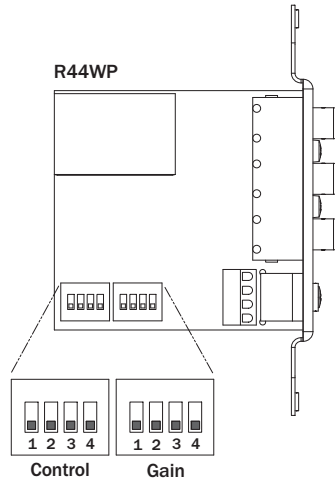


Figure A-1: R44WP DIP Switches

Cat-5 Cable Length (ft)	Control DIP Switch Setting	Gain DIP Switch Setting
0-25	⬇️⬇️⬇️⬇️	⬇️⬇️⬇️⬇️
25-75	⬇️⬇️⬇️⬇️	⬇️⬆️⬇️⬇️
75-150	⬇️⬇️⬇️⬇️	⬇️⬆️⬆️⬇️
150-250	⬇️⬇️⬇️⬆️	⬇️⬆️⬆️⬇️
250-350	⬇️⬇️⬆️⬇️	⬇️⬆️⬇️⬆️
350-450	⬇️⬇️⬆️⬆️	⬇️⬆️⬆️⬇️
450-500	⬇️⬆️⬇️⬆️	⬇️⬆️⬇️⬆️

Table A-1: R44WP DIP Settings



Appendix B: Specifications

HDR44

Power Requirements	55W
System Bandwidth	185MHz, -3dB (90MHz, -0.5dB)
Resolution Supported	1080p, 1080i, 720p, 480p, and 480i
Video Gain	Unity
Gain Flatness	60MHz
Component Input	Y - 1V peak to peak, Pb/Pr - 0.7V peak to peak, 75 ohms
Component Loop Output	Y - 1V peak to peak, Pb/Pr - 0.7V peak to peak, 75 ohms
Connections	
Power	120VAC 60Hz
Analog Audio Inputs	Analog RCA Cable Connectors
SPDIF Inputs/Outputs	Digital Coax Connector
EXT. IR Input Type/Pinout	3.5 mm Stereo/ Tip-IR, Ring-Ground, Sleeve-+12V
All IR Output Type/Pinout	3.5 mm Mono/ Tip- IR, Sleeve- Ground
Control Loop	RJ-45 Jack
Component Video Inputs/Outputs	Component Video Cable
System Cable	Cat-5 or Cat5e
Dimensions	
H x W x D	1.75" x 17" x 11.25" (4.45cm x 43.18cm x 28.58cm)
Weight	9.6 lbs (4.36kg) Unit Weight 11.6 lbs. (5.27kg) Shipping Weight



HDR44 4x4 High Definition Video Router

R44WP

Bandwidth	185MHz, -3dB (90MHz, -0.5dB)
Component Output	Y - 1V peak to peak, Pb/Pr - 0.7V peak to peak, 75 ohms Terminated
Analog Audio Output	2V rms, 100 ohms
Digital Coax Output	0.5V peak to peak, 75 ohms
Power	Supplied by HDR44 (+16VDC, 250mA)
Connections	
Analog Audio Outputs	Analog RCA Cable Connectors
SPDIF Outputs	Digital Coax Connector
Component Video Outputs	Component Video Cable
IR Input	3.5 mm Stereo/ Tip-IR, Ring-Ground, Sleeve-+12V
IR Output	3.5 mm Mono/ Tip-IR, Sleeve-Ground
System Cable	Cat-5 or Cat5e
Dimensions	
H x W x D	4.070" x 1.300" x 2.814" (10.34cm x 3.3cm x 7.15cm)
Weight	.1 lbs (0.046kg) Unit Weight .35 lbs (0.16kg) Shipping Weight

Appendix C: REKT Rack Ear Kit (Optional)

Use the optional REKT Rack Ear Kit to mount the HDR44 into a standard equipment rack. Then simply use the included screws to attach each rack ear to the side of the HDR44 as shown in **Figure C-1**. Use Rack screws (not included) to attach the assembled unit to the equipment rack as shown in **Figure C-2**.

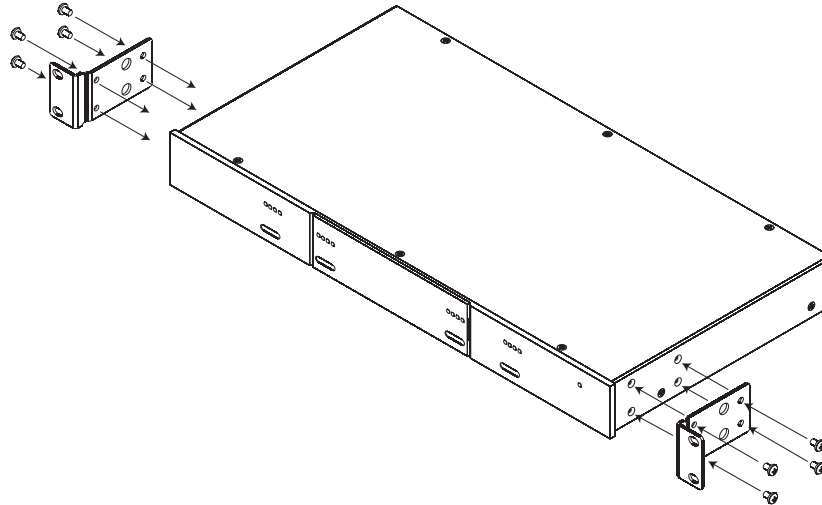


Figure C-1: REKT Mounting Rack Ears to Unit

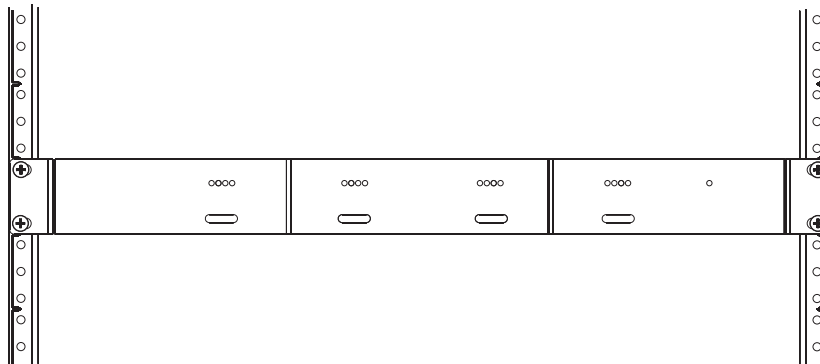


Figure C-2: REKT Mounting Unit to Rack



HDR44 4x4 High Definition Video Router

Notes:

HDR44 4x4 High Definition Video Router



Notes:



Notes:

HDR44 4x4 High Definition Video Router

Limited Warranty

ATON* warrants to the purchaser/end user ("you") that the HDR44 HD Video Router and R44WP HD Receive Wall Plate are to be free from defects in materials and workmanship for a period of two (2) years from date of purchase (the "Warranty Period"). This warranty is transferable to subsequent owners of the product as long as the original proof of purchase is retained. If you discover a defect in material or workmanship within the Warranty Period, you can obtain warranty service by contacting ATON during the Warranty Period at (859)-422-7137 or service@atohome.com. If ATON determines that the product is in fact defective, ATON shall, at its option, repair or replace the product free of charge to you.

This warranty shall not apply to equipment (a) not manufactured by ATON, (b) to equipment which was improperly installed, (c) which was repaired or altered by persons other than ATON or its authorized representatives or subject to unauthorized tampering, alteration or modification, (d) damaged due to misuse, negligence, accident, acts of God (including, but not limited to, excess moisture, insects, lightning, flood, electrical surge, tornado, earthquake, or other catastrophic events beyond ATON's control), or (e) subject to improper operation, maintenance or storage or unreasonable use. The foregoing warranties do not cover reimbursement for labor, transportation, removal, installation or other expenses which may be incurred in connection with repair or replacement. The foregoing remedies shall be your exclusive remedies for any breach of warranty.

Further, the foregoing warranty does not extend to equipment sold, but not manufactured by, ATON ("Third Party Products"). With respect to any Third Party Products, the warranty for such product shall be as provided by the manufacturer of such product, who will also be responsible for warranty service, and ATON will pass through to you any transferable warranty actually extended to ATON by the manufacturer.

THE FOREGOING WARRANTIES ARE EXCLUSIVE AND IN LIEU OF ALL OTHER EXPRESSED AND IMPLIED WARRANTIES. ATON EXPRESSLY DISCLAIMS ALL SUCH OTHER WARRANTIES, INCLUDING BUT NOT LIMITED TO IMPLIED WARRANTIES OF MERCHANTABILITY, FITNESS FOR A PARTICULAR PURPOSE AND NON-INFRINGEMENT. Notwithstanding the above, where applicable, if you qualify as a "consumer" under the Magnuson-Moss Warranty Act, then you may be entitled to any implied warranties allowed by law for the Warranty Period. Some states do not allow limitations on how long an implied Limited Warranty lasts, so the above limitation may not apply to you.

ATTENTION: TO OUR VALUED CONSUMERS

Valid proof of purchase is required for all warranty services. Warranty service requests made without proof of date of purchase will be denied. Please keep the original sales receipt for your records and send a copy to request warranty service.

This warranty gives you specific legal rights, and you may also have other rights which vary from state to state.

* ATON is a division of ELAN Home Systems, LLC.



1300 East New Circle Road
Lexington, KY 40505

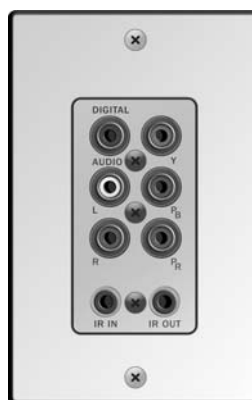
www.atohome.com
or
service@atohome.com

P/N 9900902 REV: A



HDR44

**ROUTER DE VIDEO DE ALTA
DEFINICIÓN PARA CUATRO FUEN-
TES Y CUATRO ZONAS**



www.atonhome.com



Seguridad

NOTA: Este equipo ha sido probado y se descubrió que cumple con los límites para un dispositivo digital Clase B, conforme a la Parte 15 de la Reglamentación FCC. Estos límites están diseñados para ofrecer protección razonable contra la interferencia perjudicial en una instalación residencial. Este equipo genera, usa y puede irradiar energía de radiofrecuencia. Si no se instala y no se usa conforme a las instrucciones, puede provocar interferencia perjudicial en las comunicaciones radiales. No obstante, no se garantiza que no se produzca interferencia en una instalación particular.

Si este equipo provoca interferencia perjudicial en la recepción radial o televisiva, que se puede determinar encendiendo o apagando el equipo, se aconseja al usuario que intente corregir la interferencia con una o más de las siguientes medidas:

- Reorientar o reubicar la antena receptora.
- Aumentar la separación entre el equipo y el receptor.
- Conectar el equipo a un tomacorriente en un circuito diferente al que está conectado el receptor.
- Consultar al distribuidor o un técnico experto en radio o televisión para obtener ayuda.

PRECAUCIÓN: Los cambios o modificaciones no aprobados expresamente por ATON pueden invalidar la autoridad del usuario para operar el equipo.

Cuidado del HDR44

Limpie con un paño seco y suave.

Es importante que cuide adecuadamente su Router de video HDR44 HD. Siga estas pautas para asegurarse de que su dispositivo se conserve y esté protegido.

- No exponga el HDR44 a la lluvia, líquidos o humedad durante un período de tiempo prolongado.
- No exponga el HDR44 a temperaturas extremas.
- No coloque ningún objeto sobre el HDR44 para evitar daños en el chasis.

Temperaturas y ambientes de operación

- Temperatura de operación: de 32 a 104° F (de 0 a 40° C)
- Humedad: de 0 a 90%

Precauciones

- Siempre cuide el Router de video HDR44 HD cuando esté en funcionamiento
- No instale en las inmediaciones de ninguna fuente de calor como radiadores, salidas de calefacción, cocinas u otros aparatos (incluso amplificadores) que generen calor.
- En caso de que haya humo, ruido anormal o un aroma extraño, apague de inmediato el HDR44. Informe el problema a su distribuidor inmediatamente. Never attempt to disassemble the HDR44. You will lose any product warranty on the unit.

Contenidos del paquete

Router de video de alta definición 4x4 HDR44r

Control remoto delgado R44IRM

Cable de 2 metros de RJ-45 a RJ-45

Cable para interconectar el estéreo de 3.5 mm

Manual del usuario/Instalación

Accesorios de ATON HDR44

R44WP Placa para pared del receptor HD

R44IRM Control remoto delgado con IR (luz infrarroja)

REKT Equipo con orejeras de soporte

Nota: Para obtener más información y opciones de compra, visite nuestro sitio web en: www.atonhome.com.



Índice

Información sobre la seguridad	1
1. Introducción.....	5
Características	6
Texto en el panel frontal	7
Panel trasero	8
2. Generalidades del diseño del sistema	9
Aplicaciones	9
Sistema básico de 4 fuentes y 4 zonas	9
Sistema ampliado de 4 fuentes y 8 zonas.....	10
3. Conexiones	11
Todas las Salidas IR	11
Entrada IR Externa	12
Salidas del Emisor IR Fuente	13
Entradas de Video Componente.....	14
Entradas de Audio Analógicas	15
Entrada Digital SPDIF	15
Conexiones de Salida de la Placa Para Pared	16
Conexiones de Expansión	21
Bucle de Control.....	22
Salida De Video Componente.....	22
Entradas de Audio Analógicas	23
Salidas Digitales SPDIF	23
4. Configuraciones y funcionamiento	24
Control Remoto IR.....	24
Cómo Usar el R44IRM	25
Control de Zona Individual.....	25
Control de Zona en Todo el Sistema.....	25
5. Problemas y Soluciones	26
Apéndice A: Placa para pared del receptor R44WP HD	28
Apéndice B: Especificaciones	29
Apéndice C: Equipo con orejeras de soporte	31
Garantía limitada.....	página posterior

1. Introducción

Comodidad moderna

El Router de video de alta definición HDR44 para 4 fuentes y 4 zonas y las placas para pared del receptor HD R44 WP ofrecen la capacidad de ver hasta 4 fuentes de video diferentes en hasta 8 zonas separadas (con un chasis HDR44 adicional) del hogar para brindar flexibilidad y comodidad total. Sin necesidad de tener múltiples sistemas de audio/video en diferentes áreas, sólo seleccione una fuente desde su control remoto IR, recuéstese y ¡disfrute!

Control simple

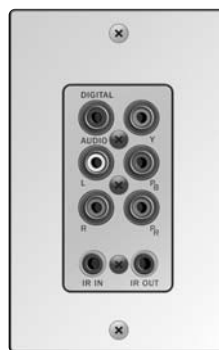
El control remoto delgado con sistema IR R44IRM de ATON (incluido) ofrece el control de la zona y la selección de la fuente, etc. Utilice el R44IRM o descargue discretos códigos IR desde el sitio web de ATON (www.atonhome.com) para conocer los comandos para las fuentes y zonas en controles remotos de terceros para obtener aun más opciones de control del HDR44.

Instalación simple y lógica

El HDR44 utiliza cableado CAT-5, haciéndolo confiable y fácil de instalar. Cualquier fuente de video con salidas digitales o analógicas se puede conectar directamente al HDR44. Las placas para pared del receptor HD R44WP se conectan al HDR44 usando 2 cables CAT-5, mientras que las fuentes están conectadas al igual que los cables de video componente y los conectores digitales y analógicos RCA



Dibujo 1-1: HDR44



Dibujo 1-2: R44WP



Características de HDR44

- Router de video de alta definición para 4 fuentes y 4 zonas
- Se puede ampliar hasta 8 zonas con chasis adicional HDR44
- Transmite todos los formatos de alta definición incluso 1080p
- Envía video componente, audio analógico, audio digital SPDIF e IR de dos vías usando 2 cables CAT-5
- Alcance de 500 pies (placa para pared HDR44 a R44)
- Control IR de zonas específicas mediante placas para pared R44WP o control del sistema por medio de una entrada IR externa
- Capacidades de enrutamiento IR con fuente específica
- No se necesita Software de PC para la Instalación
- Diseño compacto e individual de espacio para soporte
- Soporte desmontable: equipo con orejeras de soporte opcional disponible («REKT»)
- Garantía limitada de 2 años

Características de R44WP

- Recibe todo el video y el audio desde el HDR44 a través de dos cables CAT-5
- Salidas de video de alta definición, audio digital y analógico para cada zona
- Entrada de receptor IR en el frente y en la parte trasera para el control de HDR44 y las fuentes conectadas
- Salida de bucle emisor IR para control de las fuentes internas de audio/video
- Decora® de una salida (placa frontal incluida)
- Incluye receptor IR para fijar sobre superficie AIR1B

Panel frontal

El panel frontal del HDR44 está compuesto simplemente por los indicadores luminosos LED de las zonas fuentes y un solo indicador LED de alimentación. La **Dubijo 1-3** y la **Tabla 1-1** ofrecen descripciones y ubicaciones de los indicadores del panel frontal..



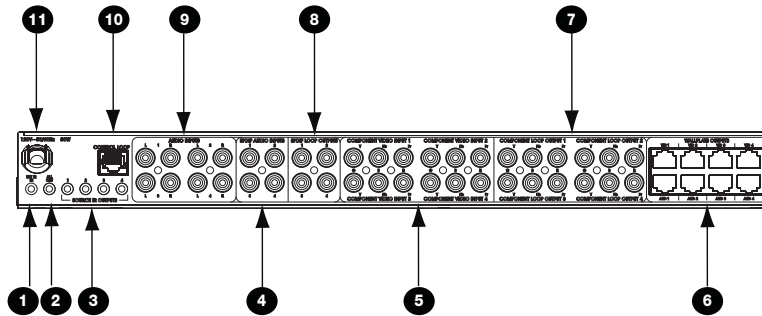
Dubijo 1-3: Panel frontal del HDR 44

	Indicador/Botón	Función	LED
1	LED de fuente Zona 1	Indica el estado de las fuentes 1-4	Azul
2	LED de fuente Zona 2	Indica el estado de las fuentes 1-4	Azul
3	LED de fuente Zona 3	Indica el estado de las fuentes 1-4	Azul
4	LED de fuente Zona 4	Indica el estado de las fuentes 1-4	Azul
5	LED de alimentación	Indica el estado de ENCENDIDO/APAGADO	Rojo

Tabla 1-1: Panel frontal

Panel posterior

El panel posterior del HDR44 tiene conexiones para IR, expansión de entrada y salida, audio analógico y digital, video componente y salidas para la placa de pared por zonas. La Figura 1-4 y la Tabla 1-2 ofrecen la descripción y la ubicación de las conexiones del panel posterior.



Dubijo 1-4 : Panel posterior de HDR44

	Conector	Función
1	Entrada IR externa	Mini conector al tomacorriente estéreo de 3.5 mm para usar con los receptores IR ATON
2	Todas las salidas IR	Miniconector al tomacorriente estéreo de 3.5 mm con emisores IR ATON o bloque de distribución AIB4 IR
3	Salidas IR fuentes	Miniconectores mono de 3.5 mm para usar con emisores IR ATON
4	Entradas de audio digital	Conexiones de cable coaxial de audio digital
5	Entradas de video componente	Conexiones de cable para video componente
6	Salidas de placa para pared	RJ45 (Cuadro de información T568A) para usar con las placas para pared del receptor HD R44WP
7	Salidas en bucle del componente	Conexiones de cable para video componente a los routers adicionales
8	Salidas en bucle de SPDIF	Conexiones de cable coaxial de audio digital a los routers adicionales
9	Entradas de audio	Conexión de cable de audio RCA
10	Bucle de control	Conexión RJ45 a los routers adicionales
11	Conexión de alimentación	Cable de salida de pared de 120 VCA-60 Hz

Tabla 1-2: Panel posterior

2. Generalidades del diseño del sistema

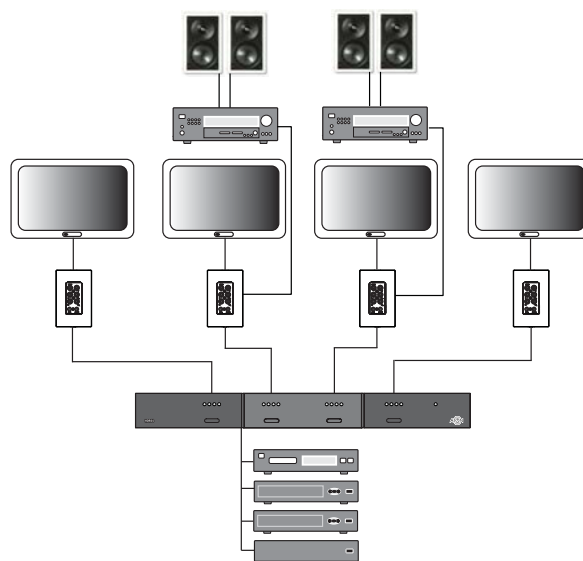
Aplicaciones

Existen dos aplicaciones típicas del sistema al instalar el HDR44. Estas opciones se pueden combinar en todo el sistema según el diseño de la aplicación:

1. Sistema básico de 4 fuentes y 4 zonas
2. Sistema ampliado de 4 fuentes y 5-8 zonas

Sistema básico de 4 zonas y 4 fuentes

El **Dubijo 2-1** muestra un sistema básico de HDR44 con cuatro fuentes y cuatro zonas. El sistema consta de un router de video HDR44, 4 fuentes de video, 4 placas para pared del receptor HD R44WP, receptores AV opcionales en dos zonas y parlantes de la serie Storm de ATON. Esta configuración ofrece audio y video desde cada fuente de cada zona así como también el control de cada fuente desde cada zona.

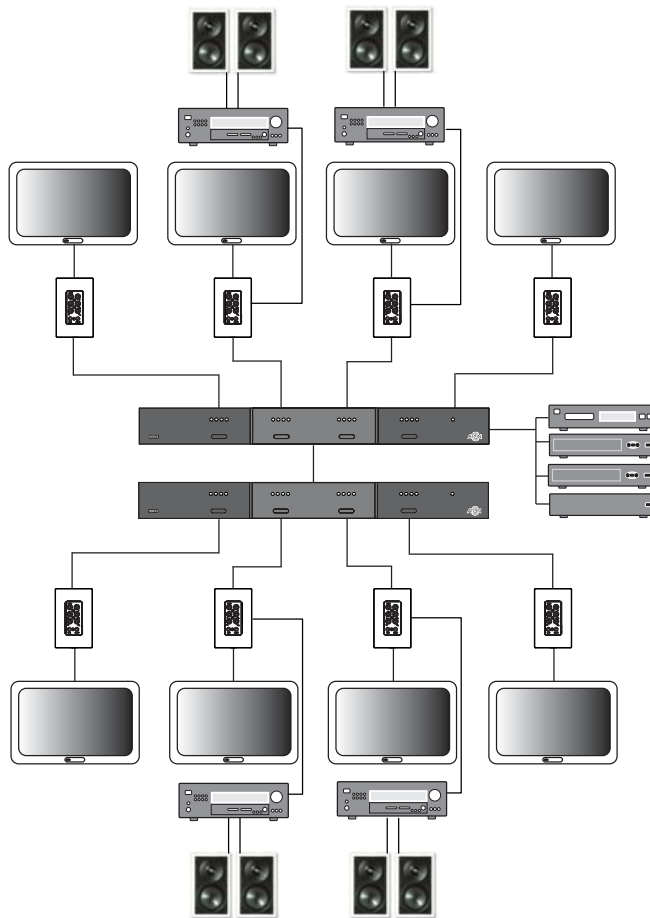


Dubijo: 2-1: Sistema básico



Sistema ampliado de 4 fuentes y 5-8 zonas

El **Dubijo 2-2** muestra un sistema ampliado con cuatro fuentes y ocho zonas. El sistema consta de dos routers de video HD HDR44, 4 fuentes de video, 8 placas para pared de receptores HD R44WP, receptores AV opcionales en 4 zonas y parlantes serie Storm de ATON. Esta configuración ofrece audio y video desde cada fuente en cada zona así como también control de cada fuente desde cada zona.



Dubijo 2-2: Sistema ampliado

3.3. Conexiones

El HDR44 es parte de un sistema integrado que requiere el uso de otros componentes ATON. Según el diseño del sistema, estos componentes pueden incluir:

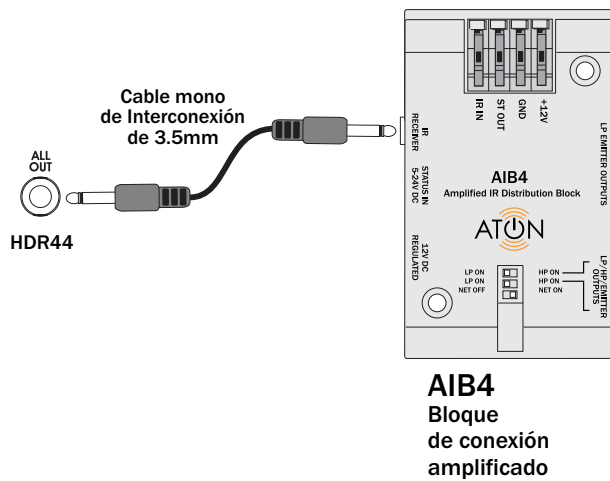
- **Control remoto delgado IR R44IRM**
- **Placas para pared del receptor HD R44WP (una por zona)**
- **Router HDR44: para sistemas que contienen desde 5 a 8 zonas**
- **Receptores y emisores IR de ATON**

Esta sección describe la conectividad entre los diversos componentes ATON y los componentes de fuente de video que conforman el sistema. Cada sistema HDR44 es único y no todas las conexiones se realizan en cada instalación.

Nota importante de seguridad: Asegúrese de que el HDR44 esté desenchufado antes de realizar cualquier conexión.

Todas las salidas IR

El puerto de todas las IR está constantemente activo y pasa información IR independientemente de la fuente seleccionada. Esto es muy útil para las fuentes que pueden necesitar control sin importar qué fuente está activa, como un receptor de TV de alta definición o para aplicaciones que utilizan una red IR ampliada que incluye dispositivos de distribución IR como el bloque de conexión IR amplificado AIB4 de ATON como se muestra a continuación.



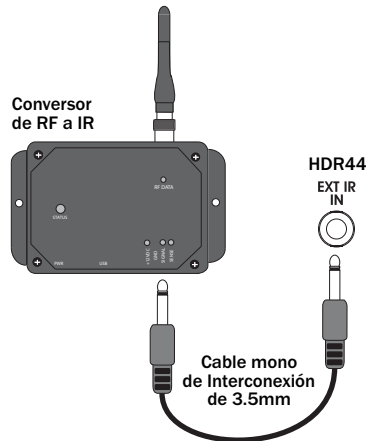
Dubijo 3-1: Todas las salidas



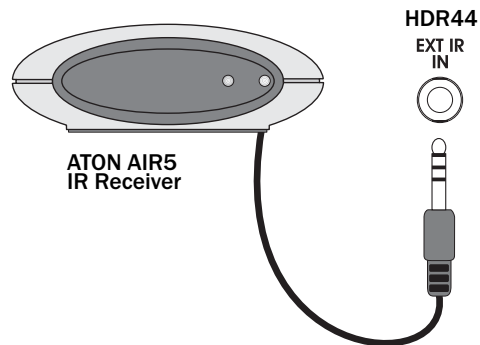
Entrada IR externa

Las aplicaciones para habitaciones múltiples de ATON pueden utilizar el puerto de Entrada IR Externa de un chasis simple de HDR44 para el control IR desde un control remoto universal/ con aprendizaje RF (radiofrecuencia) a IR. Use un cable mono de interconexión de 3.5 mm para conectar un puerto de SALIDA IR de una RF tercera a un conversor IR y el puerto de Entrada IR Externa del HDR44.

Nota: Esta aplicación está diseñada para trabajar con un sistema de chasis simple de HDR44. Para conocer más aplicaciones avanzadas para chasis múltiples que utilicen la Entrada IR externa, visite nuestro sitio web en www.atonhome.com.



Dubijo 3-2: Entrada IR externa



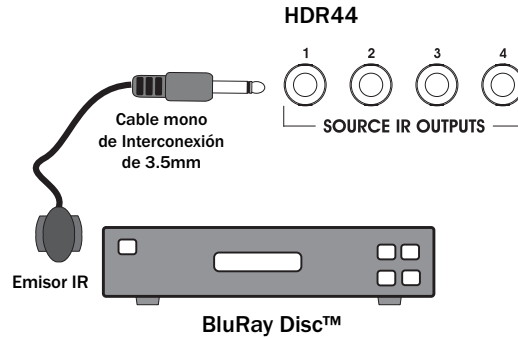
Dubijo 3-3: AIR5 de Aton a entrada IR externa

Las múltiples zonas de un chasis simple de HDR44 se pueden controlar utilizando un receptor IR de ATON AIR conectado a la Entrada IR Externa de HDR 44.

Nota: Esta aplicación está diseñada para trabajar con un sistema de chasis simple HDR44. Para conocer más aplicaciones avanzadas para chasis múltiples que utilicen la Entrada IR externa, visite nuestro sitio web en www.atonhome.com.

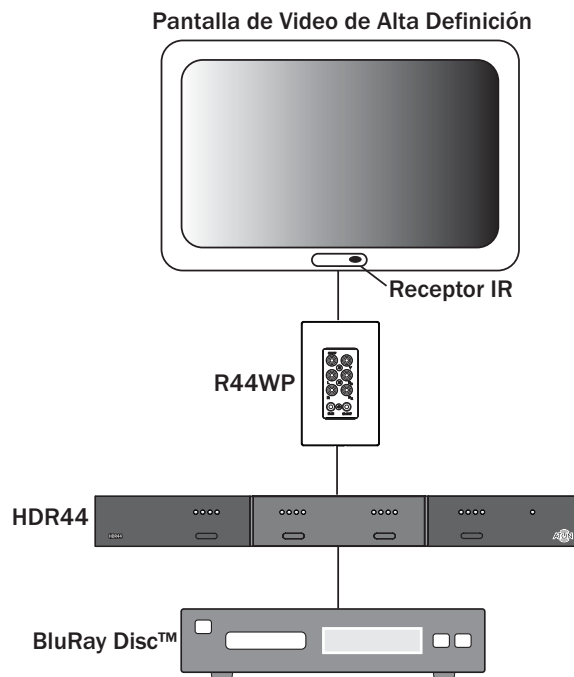
Salidas IR fuente

Conecte un emisor IR estándar (AIE2 de ATON, por ejemplo) desde el puerto de SALIDA IR FUENTE en la parte trasera del HDR44 al receptor IR en el frente de la fuente de audio/video (véase la Dubijo 3-4). Las cuatro salidas IR fuente son específicamente para la fuente. Por ejemplo, el puerto de IR "1" se debe fijar a la fuente de video conectada a la "Entrada de video componente 1". Para las fuentes que tengan un puerto de entrada IR en la parte trasera de la unidad, utilice un cable de interconexión mono de 3.5 mm a 3.5 mm.



Dubijo 3-4: Salidas IR fuente

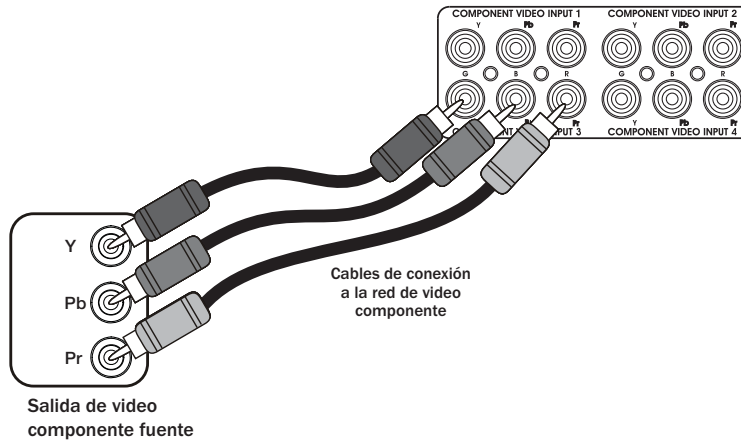
Conexiones de video componente



Dubijo 3-5: Cadena de señal de video componente

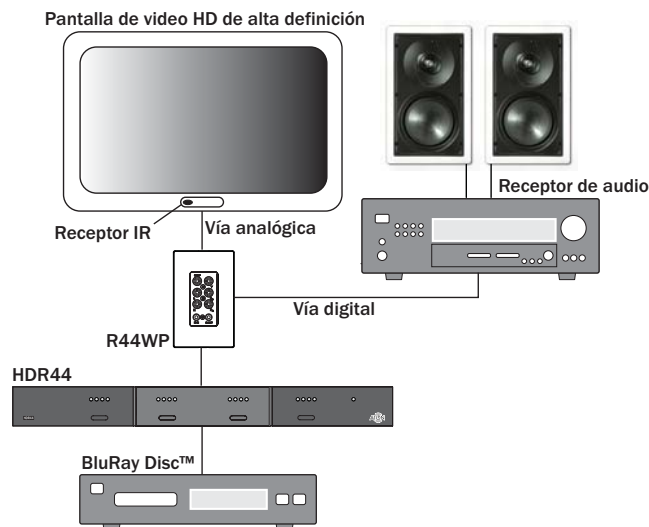
Entradas de video componente

Utilice cables para video componente de alta calidad para realizar las conexiones entre las fuentes de video y las entradas del HDR44. Por lo general, las fuentes estarán ubicadas cerca del HDR44 en la cabecera del sistema. Las salidas de video componente así como también las salidas de audio y las IR se enviarán a través de los cables CAT-5 desde la cabecera a las placas para pared del receptor R44WP HD ubicadas en toda la casa. Utilice los cables de video componente de alta calidad para conectar la pantalla de video de alta definición también desde el R44WP. Véase en la **Dubijo 3-12** de **la página 17** las conexiones detalladas del R44WP a la pantalla de video de alta definición.



Dubijo 3-6: Entradas de video componente

Conexiones de audio fuente



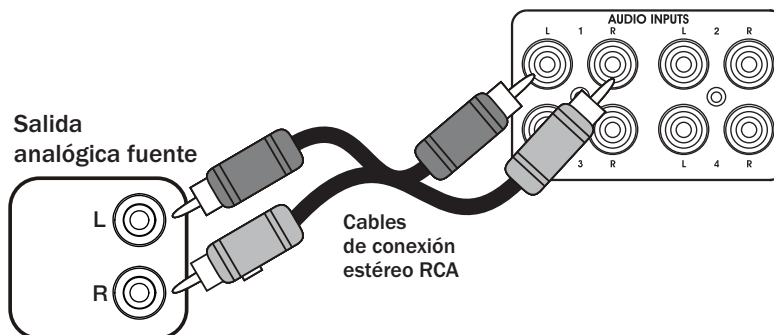
Dubijo 3-7: Vía de audio de HDR44

Entradas de audio

El HDR44 admite un total de cuatro fuentes de sistema que están disponibles para las cuatro zonas y se puede enviar hasta un total de ocho zonas por medio de otro Router HDR44 para la expansión del sistema. Hay dos tipos de entradas fuente: analógica (RCA) y coaxial digital.

Entradas de audio analógicas

Utilice un cable de conexión a la red estéreo RCA para conectar una fuente de video con salidas analógicas a las entradas de audio analógicas del HDR44 como se muestra en la **Dubijo 3-8**.

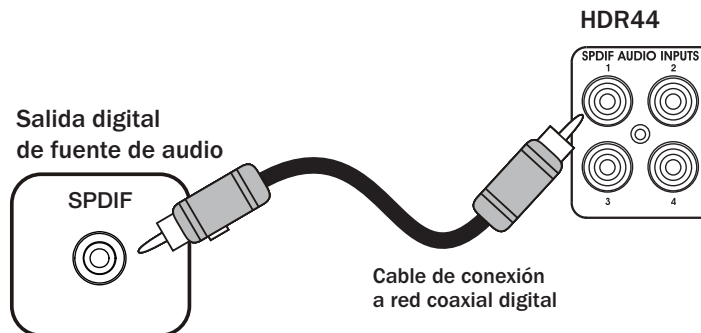


Dubijo 3-8: Entradas de audio analógicas

Nota: Si alguna o todas las pantallas de video conectadas están diseñadas para recibir audio analógico, asegúrese de realizar estas conexiones de audio analógico. La R44WP no convierte entradas de audio digital a audio analógico ni viceversa.

Entradas de audio SPDIF

Utilice un cable coaxial digital para conectar una fuente de video con una salida coaxial digital a la entrada fuente del HDR44 como muestra la **Dubijo 3-9**. Las conexiones digitales ofrecen la mejor calidad de audio y deben utilizarse en caso de estar disponibles.



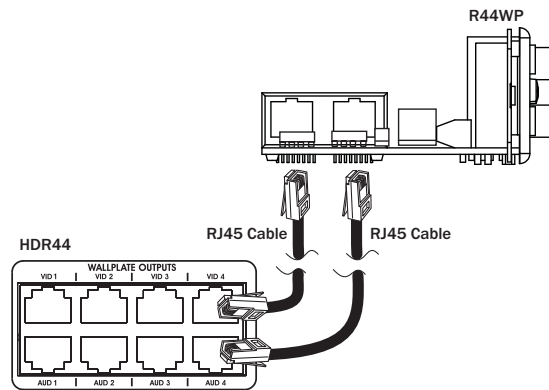
Dubijo 3-9: Entradas de audio SPDIF

Nota: Si alguna o todas las pantallas de video conectadas están diseñadas para recibir audio analógico, asegúrese de realizar estas conexiones de audio analógico. El R44WP no convierte entradas de audio digital a audio analógico ni viceversa.

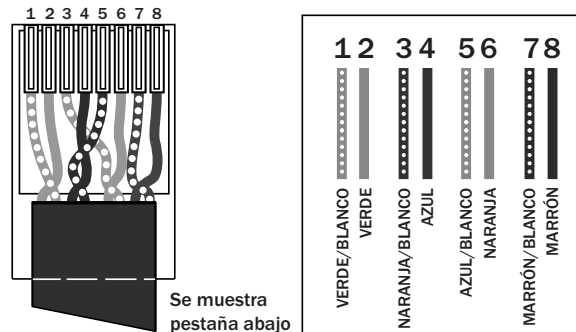


Conexiones de la placa para pared

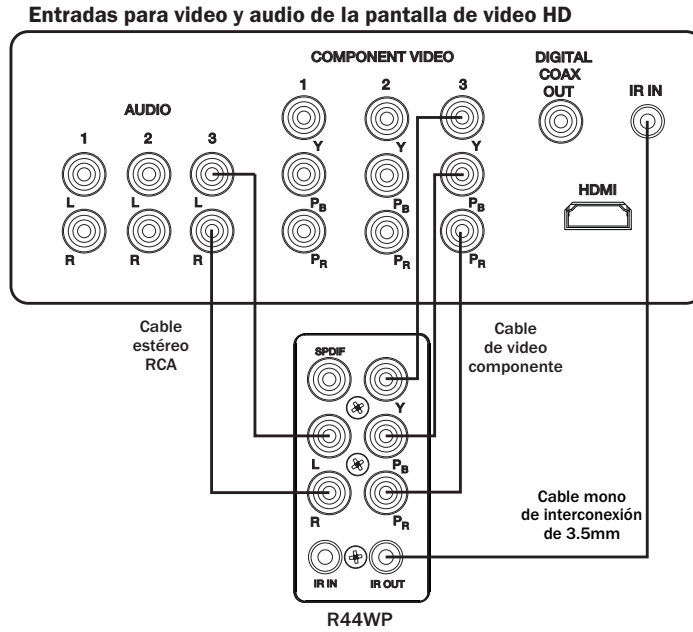
Una placa para pared del receptor R44WP HD debe conectar video, audio e IR a una zona. La placa para pared R44WP posee conexiones de video componente, audio e IR que se conectan a las entradas de audio y video de la pantalla de video de alta definición de cada zona. Se requiere de una ejecución de (2) dos cables CAT-5 que terminan en T-568A estándar, como se muestra en la **Dubijo 3-11**, entre el HDR44 y la ubicación designada para el R44WP. Las conexiones entre un componente fuente y el HDR44 se detallan en la **Dubijo 3-6** hasta la **Dubijo 3-9**, mientras que las conexiones entre la R44WP y la pantalla de video de alta definición por zona se detallan en la **Dubijo 3-12**.



Dubijo 3-10: Conexiones de la placa para pared



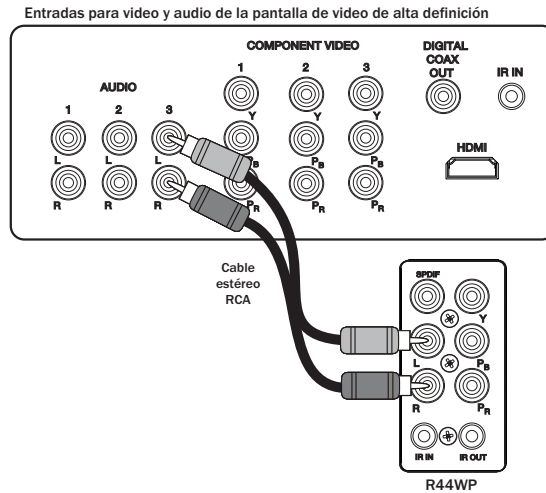
Dubijo 3-11: Cableado estándar T568A



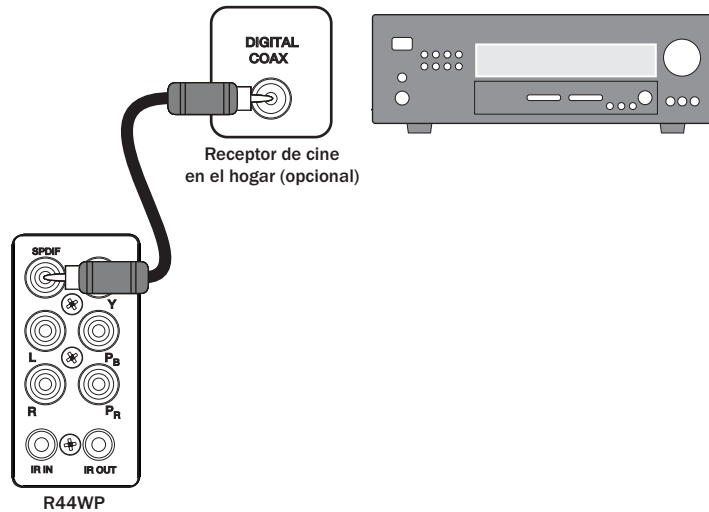
Dubijo 3-12: R44WP a la pantalla de video de alta definición



ROUTER DE VIDEO DE ALTA DEFINICIÓN PARA CUATRO FUENTES Y CUATRO ZONAS



Dubijo 3-13: R44WP a la entrada de audio analógico



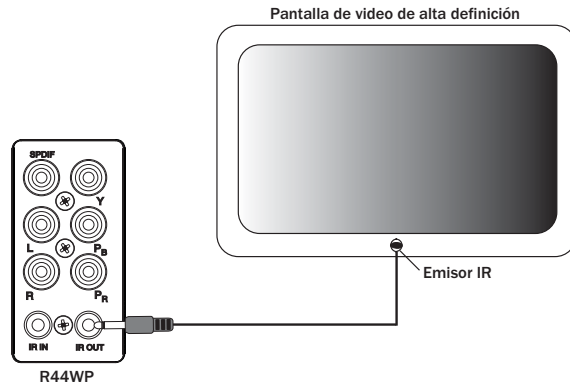
Dubijo 3-14: R44WP al conector coaxial digital

Nota: Para las aplicaciones en las que la conexión de audio SPDIF necesita ampliarse, instale un cable coaxial RG59 o RG6 en la pared desde la placa para pared R44WP a la ubicación del receptor AV utilizando un conector F para los adaptadores RCA.

Conexiones IR

Conexión del emisor IR en el panel frontal

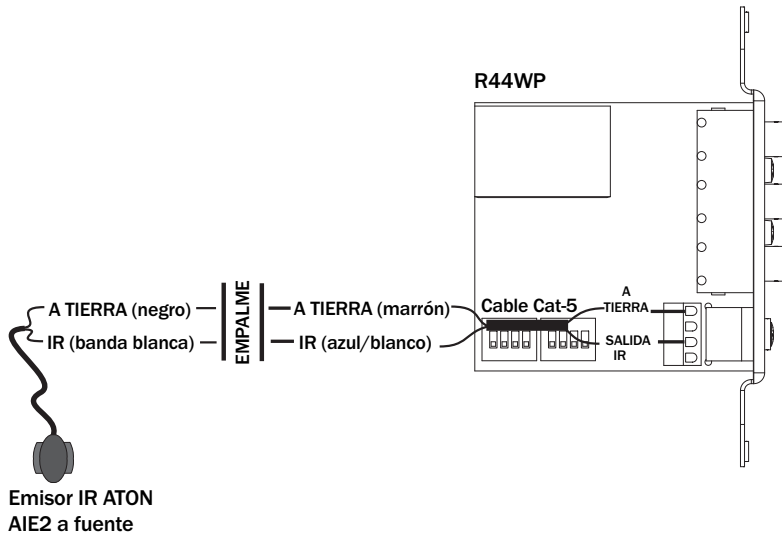
Inserte el enchufe de 3.5mm de un emisor IR al puerto de salida IR designado de la R44WP y coloque el emisor en la ventana del receptor IR de una fuente de video interna o pantalla.



Dubijo 3-15: Conexión del emisor IR al panel frontal de R44WP

Conexión del emisor IR al panel trasero

Coloque un cable CAT-5 desde la R44WP a la ubicación de una fuente de video interna o receptor AV. Luego, recorte el enchufe de 3.5 mm del emisor de IR y la cubierta del cable hacia atrás para que los cables queden expuestos. Luego, gire los extremos pelados de los cables del emisor IR y empálmelos a los conductores apropiados del cable CAT-5 como se muestra en la **Dubijo 3-16**. Finalmente, conecte los conductores CAT-5 correctos a los terminales rosca del R44WP.

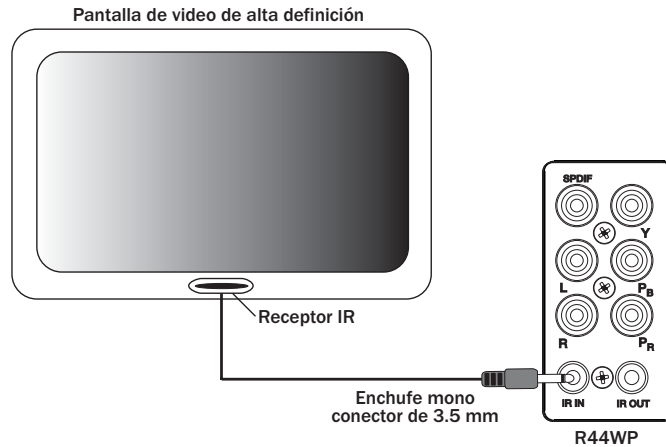


Dubijo 3-16: Salida IR trasera de R44WP

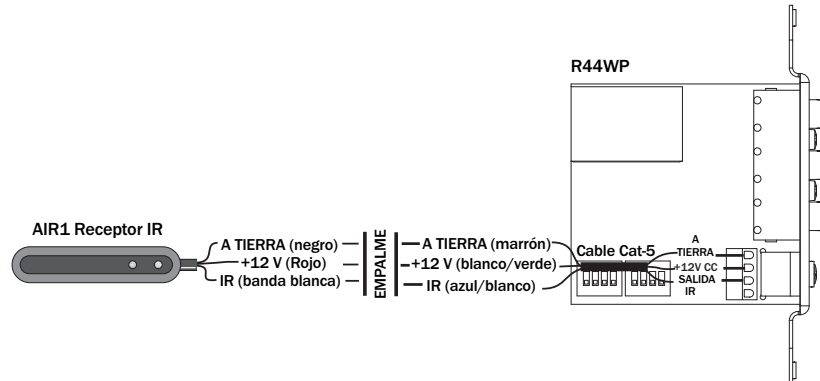


Conexión del receptor IR del panel frontal

Conecte un receptor IR ATON al conector de entrada IR del panel frontal de la R44WP como se muestra en la **Dubijo 3-17**.



Dubijo 3-17: Conexión de entrada IR al panel frontal de R44WP



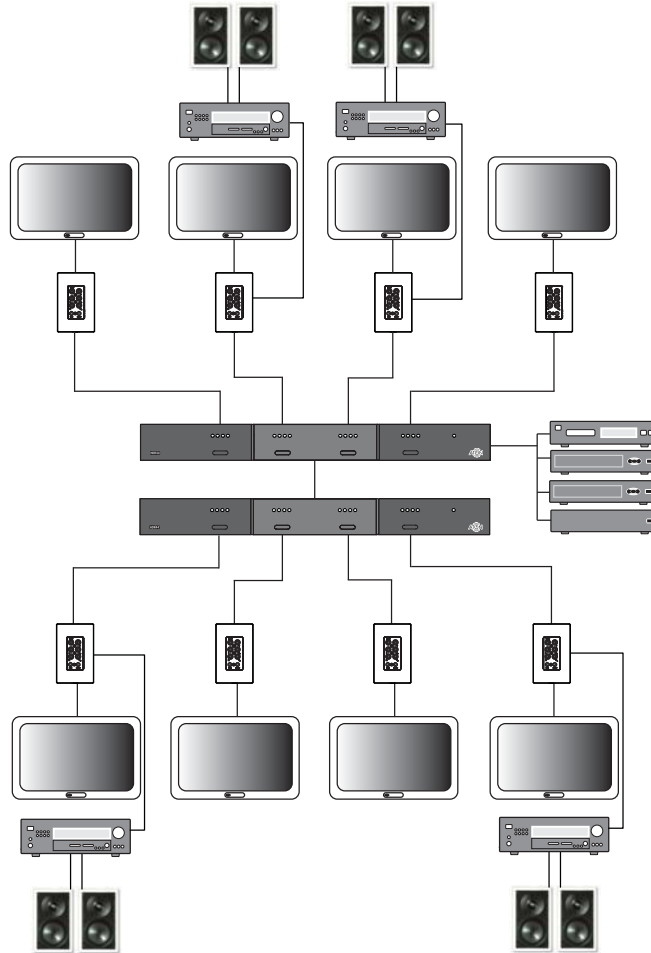
Dubijo 3-18: Conexión de entrada IR al panel trasero de la R44WP

Coloque un cable CAT-5 desde la R44WP a la ubicación del receptor IR. Luego, recorte el enchufe de 3.5mm del receptor IR y la cubierta cable para que queden los cables del conductor expuestos. Luego, pele los extremos de los conductores y gire los extremos pelados de los cables del receptor IR hacia los conductores apropiados del cable CAT-5 como se muestra en la **Dubijo 3-18**. Finalmente, conecte los conductores CAT-5 correctos a los terminales rosca del R44WP.

Conexiones de expansión

Expansión del sistema

El HDR44 es capaz de admitir cuatro fuentes en hasta ocho zonas. El sistema se puede expandir agregando un HDR44 adicional.

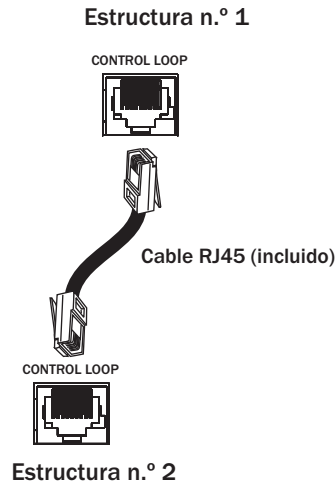


Dubijo 3-19: HDR44 totalmente expandido



Bucle de control

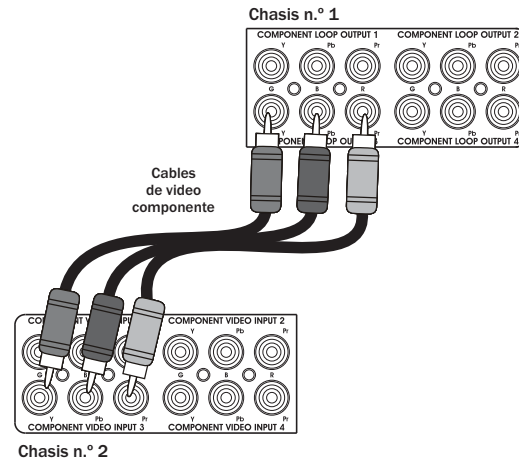
Para una expansión del sistema, conecte el cable de conexión a la red CAT-5 incluido desde el puerto de **Bucle de control** del HDR44 a un puerto de **Bucle de control** del HDR44 adicional. Esto permitirá que las señales IR pasen desde el chasis de expansión a través del primer chasis de manera que el equipo fuente se pueda controlar.



Dibijo 3-19: Bucle de control

Salidas de video componente

Utilice cables de video componente de alta calidad para conexiones de bucle desde el HDR44 principal a la unidad de expansión:

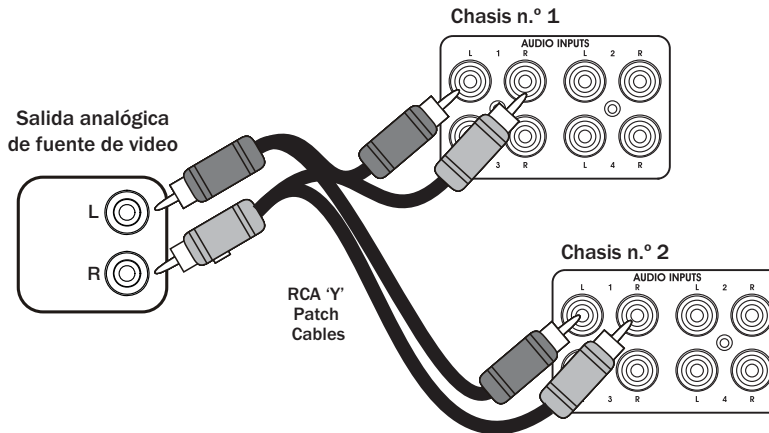


Dibijo 3-20: Conexión de bucle de video componente

Entradas de audio analógicas

Utilice cables RCA "Y" estéreo para dividir la señal analógica de audio de la fuente de video del medio hacia el HDR44 y la unidad de expansión.

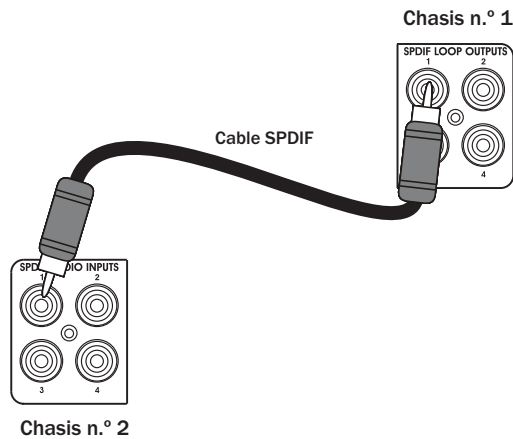
Nota: Los cables "Y" sólo se necesitan para las entradas de audio analógicas.



Dubijo 3-21: Conexión "Y" de entradas de audio

Salidas de audio SPDIF

Utilice un cable coaxial digital de alta calidad para el audio digital en bucle desde el HDR44 principal hacia la unidad de expansión:

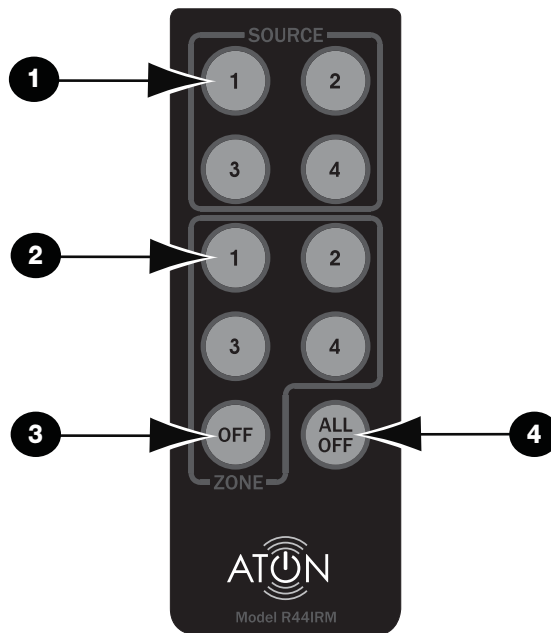


Dubijo 3-22: Conexión en bucle de audio SPDIF

4. Ajustes y funcionamiento

Las funciones del HDR44 pueden ser controlados desde el control remoto R44IRM. Los códigos IR desde el R44IRM también se pueden conocer en controles remotos universales de aprendizaje de terceros. Además, los discretos códigos IR de HDR44 se pueden descargar desde el sitio web de ATON en www.atonhome.com y se pueden importar a los controles remotos universales de aprendizaje programables.

Control remoto delgado IR R44IRM



Dibujó 4-1: Control remoto IR delgado R44IRM

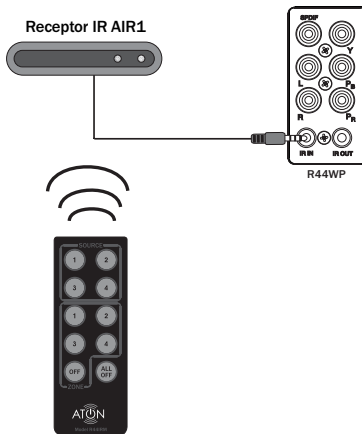
	Función
1	Botones de selección de fuentes 1-4
2	Botones de selección de zona 1-4
3	Botón para apagar zona
4	Botón para apagar todo

Tabla 4-1: Botones del control remoto IR R44IRM

Cómo usar el control remoto R44IRM

Control de zona individual

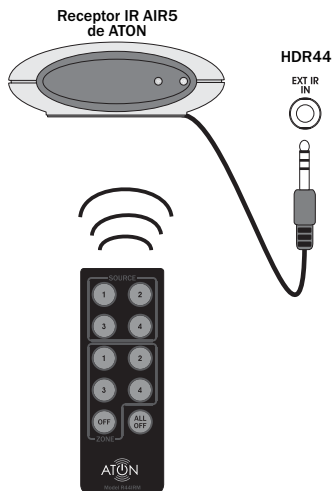
Al usar el R44IRM desde una zona individual usando una R44WP con un receptor IR de ATON, solamente se tienen que presionar los botones de las cuatro fuentes **1**. Los botones de zona no se utilizan.



Dubijo 4-2: Control de zona individual

Control de zona de todo el sistema

Al utilizar el R44IRM desde una ubicación única que usa un receptor IR enchufado al puerto de ENTRADA IR EXTERNA del HDR44, se deben utilizar los botones de la zona **2** y la fuente **1**. Por ejemplo, para seleccionar la fuente 3 en la zona 4, la secuencia de botones debe ser **Zona 4**, luego **Fuente 3**. Una vez que la zona ha sido seleccionada, sólo los botones de las fuentes se deben utilizar.



Dubijo 4-3: Control de zona de todo el sistema



5. Problemas y Soluciones

La **Tabla 5-1** ofrece información sobre la solución de problemas para el HDR44.

Síntoma	Posible causa	Solución
No se percibe audio en una habitación específica	1. La fuente no funciona	Presione Reproducir, ENCENDER, etc
	2. No se seleccionó habitación	Seleccione habitación desde el teclado o desde el control remoto IR
	3. El volumen de salida de la habitación estaba completamente bajo	Aumente el volumen en la pantalla de video o el receptor AV
	4. Los parlantes en la habitación están mal conectados o defectuosos	a. Pruebe un parlante que sepa que funciona correctamente en una ubicación de amplificador b. Revise las conexiones
No hay video en una habitación específica	1. La fuente no funciona	Presione Reproducir, ENCENDER, etc.
	2. No se seleccionó habitación	Seleccione habitación desde el control remoto IR
	3. Problema de cableado	Use un probador de cables para verificar la continuidad del cableado de la placa para pared y revise si hay cortocircuitos
Interferencia o zumbido a través de los parlantes del sistema	1. Bucle a tierra	Asegúrese de que haya una adecuada descarga a tierra utilizando un tomacorriente CA con descarga a tierra de tres clavijas
	2. Nivel del amplificador demasiado alto	Reduzca el nivel del amplificador



Síntoma	Posible causa	Solución
Baja calidad de audio	1. Recortes o distorsión	Reduzca el nivel del receptor AV/amplificador
	2. Los parlantes están desfasados	Revise detenidamente la polaridad de cada parlante
	3. Asignación incorrecta de los cables fuente RCA izquierda/derecha o cables de los parlantes	Aísle por fuente o habitación y corrija
Sin video o con video de baja calidad	Sin señal de video, señal de video pobre o con poca definición	Interruptores DIP de las placas para pared conDubijodas de manera incorrecta
Sin control fuente desde el controlador remoto IR	1. Cableado: la señal IR no llega al controlador o fuente	Verifique el cableado y corrija
	2. Control remoto: baterías bajas	Reemplace las baterías
Ningún tipo de control de la fuente, la selección de la fuente es correcta	1. Cableado: IR conectado al puerto equivocado	Corrija la conexión del emisor IR
	2. Emisor IR defectuoso	Reemplace el Emisor IR
Control de fuente intermitente	Anegación de IR	El indicador IR en el emisor de interfonía parpadea o está iluminado constantemente indicando anegación IR. Revise una luz envolvente o el ruido del TV plasma. Reubique el receptor IR, utilice un filtro o coloque un receptor en un lugar diferente.

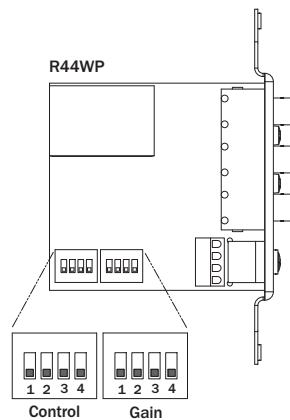
Apéndice A: Placa para pared del receptor R44WP HD

La placa para pared R44WP cuenta con video componente, audio digital y analógico y conexiones IR que se conectan a las entradas de audio y video de cada pantalla de video de alta definición por zonas. Se utiliza una ejecución de dos (2) cables CAT-5 que terminan en T-568A estándar (véase **página 16**) entre la ubicación designada para la R44WP y el HDR44.

ConDubijaciones del interruptor DIP del R44WP

Los interruptores DIP en la R44WP ofrecen conDubijaciones de control y ganancia adecuadas para longitudes variables del cable CAT-5 hasta 500 pies (15 cm). Véase la Tabla de conDubijación de interruptores DIP para las conDubijaciones adecuadas versus la longitud.

Nota: Ambos interruptores DIP deben estar conDubijados independientemente para la misma longitud de cable.



Dubijo A-1: Interruptores dip de la R44WP

Longitud del cable CAT-5 (pies)	ConDubijación de Control del interruptor DIP	ConDubijación de Ganancia del interruptor DIP
0-25		
25-75		
75-150		
150-250		
250-350		
350-450		
450-500		

Tabla A-1: conDubijaciones dip del R44WP



Apéndice B: Especificaciones

HDR44

Requisitos de alimentación	55 vatios
Ancho de banda del sistema	185MHz, -3dB (90MHz, -0.5dB)
Resolución admitida	1080p, 1080i, 720p, 480p, y 480i
Video Gain	Unidad
Aplanamiento de ganancia	60MHz
Entrada del componente	Y-1V pico a pico, Pb/Pr – 0.7 V pico a pico, 75 ohmios
Salida de bucle componente	Y-1V pico a pico, Pb/Pr – 0.7 V pico a pico, 75 ohmios
Conexiones	
Alimentación	120 V CA 60Hz
Entradas de audio analógicas	Conectores de cable RCA analógicos
Entradas/salidas SPDIF	Conector coaxial digital
Tipo/información de entrada externa IR	3.5mm estéreo /punta-IR, anillo a tierra, malla -+12 V
Tipo/información de salida de IR completa	3.5mm mono/punta-ir, malla a tierra
Bucle de control	Tomacorriente RJ-45
Entradas/salidas de video componente	Cable de video componente
Cable del sistema	Cat-5 o Cat5e
Dimensiones	
A x A x P	1.75" x 17" x 11.25" (4.45cm x 43.18cm x 28.58cm)
Peso	9.6 libras (4.36 kg) peso por unidad 11.6 libras (5.27 kg) peso de envío

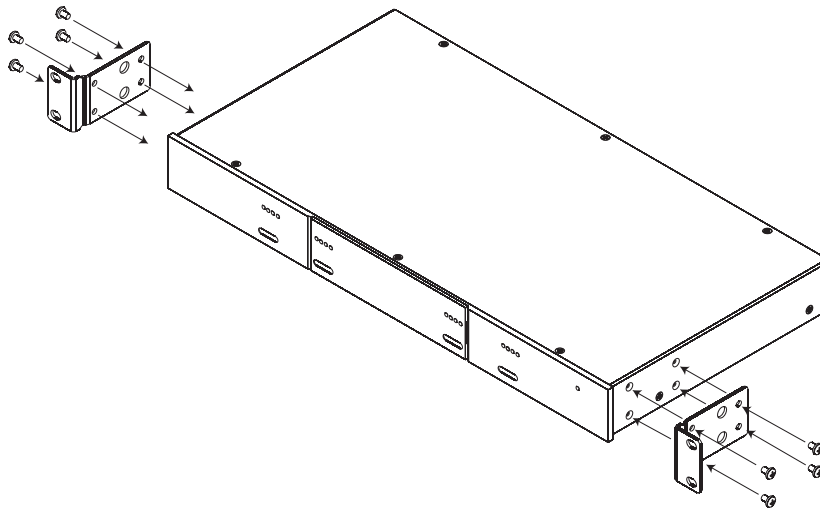


R44WP

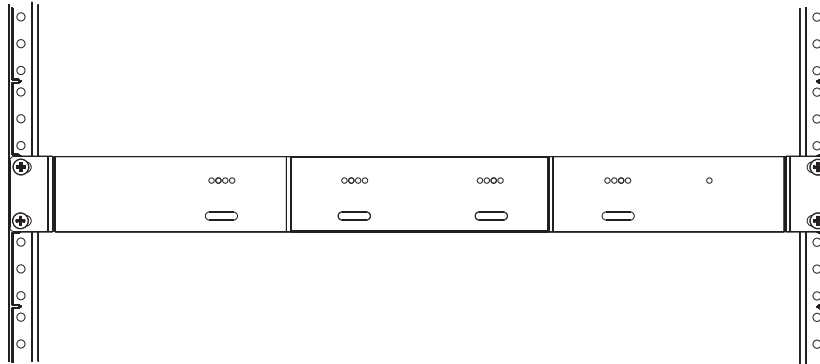
Ancho de banda	185MHz, -3dB (90MHz, -0.5dB)
Salida de componente	Y-1 V pico a pico, Pb/Pr - 0.7 V pico a pico, 75 ohmios terminado
Salida de audio analógica	2V rms, 100 ohmios
Salida coaxial digital	0.5V pico a pico, 75 ohmios
Alimentación	Suministrada por HDR44 (+16 V DC, 250 mA)
Conexiones	
Salidas de audio analógicas	Conectores de cable RCA analógicos
Salidas SPDIF	Conector coaxial digital
Salidas de video componente	Cable de video componente
Entrada IR	3.5 mm estéreo/punta IR, anillo a tierra, malla +12 V
Salida IR	3.5 mm mono/punta IR, anillo a tierra, malla +12 V
Cable del sistema	Cat-5 o Cat5e
Dimensiones	
A x A x P	4.070" x 1.300" x 2.814" (10.34cm x 3.3cm x 7.15cm)
Peso	.1 libras (0.046 kg) peso por unidad .35 libras (0.16 kg) peso del envío

Apéndice C: Equipo con orejeras de soporte REKT (opcional)

Use el Equipo con orejeras de soporte REKT para montar el HDR44 en un soporte de equipos estándar. Luego, simplemente use los tornillos incluidos para adherir cada orejera de soporte al HDR44 como se muestra en la **Dubijo C-1**. Use los tornillos del soporte (no incluidos) para fijar la unidad armada al soporte del equipo como se muestra en la **Dubijo C-2**.



Dubijo C-1: Orejeras soporte rekt de fijación a la unidad



Dubijo C-2: Unidad de fijación rekt al soporte



ROUTER DE VIDEO DE ALTA DEFINICIÓN PARA CUATRO FUENTES Y CUATRO ZONAS

Notas:

ROUTER DE VIDEO DE ALTA DEFINICIÓN PARA CUATRO FUENTES Y CUATRO



Notes:



ROUTER DE VIDEO DE ALTA DEFINICIÓN PARA CUATRO FUENTES Y CUATRO ZONAS

Notes:

Garantía limitada

ATON* garantiza al comprador/usuario final («usted») que el HDR44 y el R44WP estará libre de todo defecto de material y mano de obra por un período de un (1) año a partir de la fecha de compra («Período de Garantía»). Esta garantía se puede transferir a los propietarios subsiguientes del producto con tal que el comprobante de venta original haya sido retenido. Si usted descubre un defecto de material o mano de obra durante el Período de Garantía, puede obtener servicio de garantía al notificar a ATON durante el Período de Garantía al teléfono (859) 422-7131 o a la dirección electrónica: service@atonhome.com. Si ATON determina que el producto está defectuoso, ATON, a opción suya, reparará o reemplazará el producto sin costo alguno para usted.

Esta garantía no se aplica si el equipo (a) no fue fabricado por ATON, (b) fue instalado incorrectamente, (c) fue reparado o cambiado por otras personas no autorizadas por ATON o estuvo sujeto a modificaciones no autorizadas, (d) está dañado debido a mal uso, negligencia, accidentes, fenómenos de la naturaleza (incluyendo pero sin limitarse a humedad excesiva, insectos, relámpagos, inundaciones, sobrecargas eléctricas, tornados, terremotos u otros eventos catastróficos que sobrepasan el control de ATON) o (e) estuvo sujeto a funcionamiento incorrecto, mantenimiento o almacenaje, o está dañado por uso impropio. Las garantías precedentes no cubren reembolsos por mano de obra, transporte, remoción, instalación u otros cargos que puedan ser incurridos relacionados a reparación o reemplazo. Las restituciones precedentes serán sus restituciones exclusivas por incumplimiento alguno de garantía.

Además, la garantía precedente no se extiende a equipo vendido pero no fabricado por ATON («Productos de Terceros»). Con respecto a algunos Productos de Terceros, la garantía de tal producto proveerá por el fabricante de lo mismo, quien también será responsable del servicio de garantía, y ATON le transferirá a usted alguna garantía transferible que haya sido extendida a ATON por el fabricante.

LAS GARANTÍAS PRECEDENTES SON EXCLUSIVAS Y REEMPLAZAN TODA OTRA GARANTÍA EXPRESA O IMPLÍCITA. ATON EXPLÍCITAMENTE NO RECONOCE NINGUNA OTRA GARANTÍA, INCLUYENDO PERO SIN LIMITARSE A GARANTÍAS IMPLÍCITAS DE COMERCIABILIDAD, APTITUD PARA UN OBJETIVO PARTICULAR Y NO INFRACCIÓN. No obstante, donde aplicable, si usted tiene derecho como «consumidor» bajo el Acto Magnuson-Moss Warranty, por tanto pueda tener derecho a cualquier garantía implícita que la ley permite durante el Período de Garantía. Algunos estados no permiten limitaciones de duración de Garantías Limitadas implícitas, por tanto existe la posibilidad que la limitación más arriba no concierna a usted.

AVISO: A NUESTROS CONSUMIDORES VALIOSOS:

Se requiere un comprobante de venta válido para todo servicio de garantía. Si usted pide servicio de garantía sin comprobante de la fecha de compra, se rechazará la petición. Favor de guardar el recibo de venta original en sus archivos y envíe una copia del mismo para pedir servicio de garantía.

Esta garantía le proporciona derechos legales específicos y usted podría tener otros derechos que pueden variar de estado a estado.

*ATON es una división de ELAN Home Systems, LLC.



1300 East New Circle Road
Lexington, KY 40505

www.atonhome.com
or
service@atonhome.com

P/N 9900902 REV: A

Free Manuals Download Website

<http://myh66.com>

<http://usermanuals.us>

<http://www.somanuals.com>

<http://www.4manuals.cc>

<http://www.manual-lib.com>

<http://www.404manual.com>

<http://www.luxmanual.com>

<http://aubethermostatmanual.com>

Golf course search by state

<http://golfingnear.com>

Email search by domain

<http://emailbydomain.com>

Auto manuals search

<http://auto.somanuals.com>

TV manuals search

<http://tv.somanuals.com>