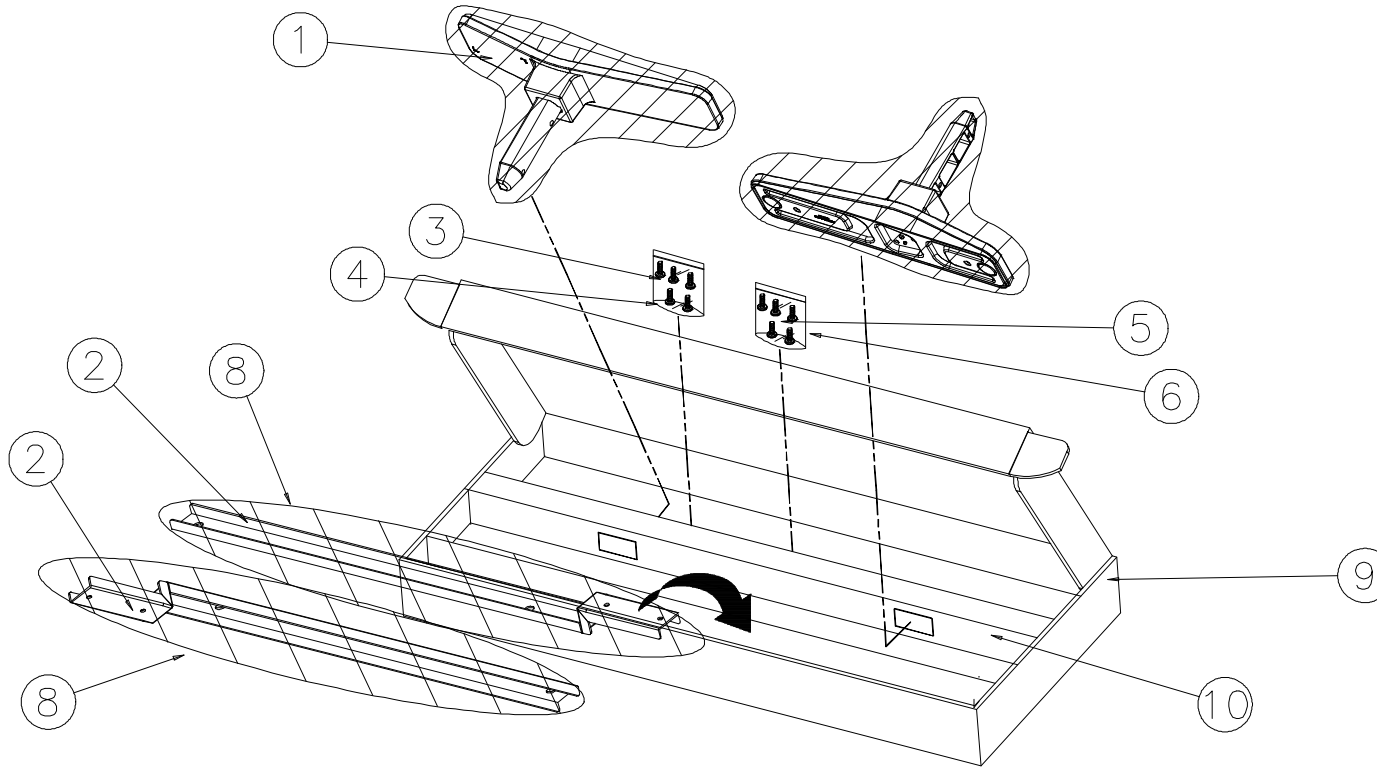


# [STN-LE4055D Option Stand]

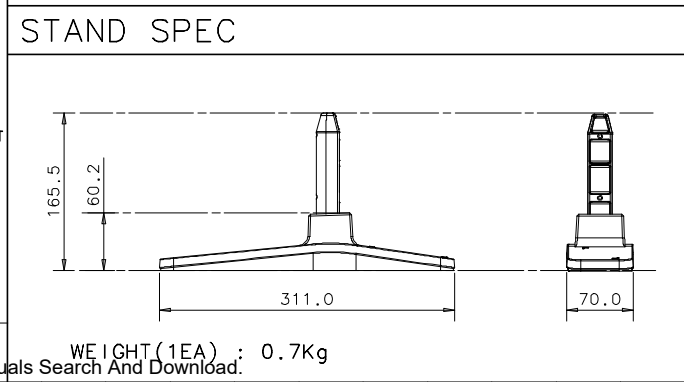
## NOTES

1. APPROVAL OF EACH SUB-ITEM IS REQUIRED BEFORE ASSEMBLY.
2. REFER TO THE CODE NO. TABLE FOR SOBCIFICATION OF EACH SUB-ITEMS.
3. PACK EACH ASSEMBLY SO AS TO BE OUT OF DEFORMATION DURING DELIVERY.
4. APPROVAL IS REQUIRED BEFORE MANUFACTURING.
5. NO DEFECTS IN THE OUTER SURFACE IS ALLOWABLE.

Rev. No	Code	Revision	Remarks
00	A	RELEASED	



MODEL-NAME	NO	PART NAME	CODE NO.	SPEC.	Q'TY	ASSY-CODE
STN-LE4055D	10	PAD-TYPE	BN69-05409A	M8, L18, ZPC(BLK), SWRCH18A, WSP, PH	1	ASSY STAND P-SET BN96-15592A
	9	BOX-SET	BN69-05408A	NITRON, TO.015/TO.5, W1300, L700, TRP, 0.0.3 PE MARK, 28.064g	1	
	8	BAG-SHEET	6902-000539	HDPE/NITRON, TO.015+TO.5, W600, L250, 2, + HOLE(40mm), 68.000g	2	
	7	MANUAL FLYER-STAND	BN68-03155A	LEDBLU, WW15, Mojo 80g, 210, 148, A3-A5	1	
	6	BAG ZIPPER	6902-000336	LDPE, TO.05, W70, L80, TRP, 0.500g	1	
	5	BOLT-ETC	6011-001815	M8, L12, ZPC(Black), SWRCH18A, WSP, PH	5	
	4	BAG ZIPPER	6902-000336	LDPE, TO.05, W70, L80, TRP, 0.500g	1	
	3	SCREW-TAPTYPE	6003-000337	BH, +, S, M4, L10, ZPC(BLK), SWRCH18	5	
	2	BRACKET-STAND	BN61-06869A	STN-LE4055D, SECC, 1.6, BLACK SPRAY, NCT	2	
	1	ASSY STAND P	BN96-05467A	D1D40, -, -, HIPS HB, -	2	



TITLE							STN-LE4055D		
DATE	MM	DESIGNED	DRAWN	APPROVED	STN-LE4055D	REV	01	01	01
SCALE	N/S	J.H.DIGI							
							REV. CODE		

## Free Manuals Download Website

<http://myh66.com>

<http://usermanuals.us>

<http://www.somanuals.com>

<http://www.4manuals.cc>

<http://www.manual-lib.com>

<http://www.404manual.com>

<http://www.luxmanual.com>

<http://aubethermostatmanual.com>

Golf course search by state

<http://golfingnear.com>

Email search by domain

<http://emailbydomain.com>

Auto manuals search

<http://auto.somanuals.com>

TV manuals search

<http://tv.somanuals.com>