



ELM202 Surge Protector

(6901-100200 <02>)

IMPORTANT SAFETY INSTRUCTIONS – SAVE THESE INSTRUCTIONS – PLEASE READ ENTIRE MANUAL BEFORE USING THIS PRODUCT

Specifications

- ✘ 2100 Joule surge suppression
- ✘ EMI/RFI noise filtration
- ✘ Gold-plated coaxial input and outputs
- ✘ UL Listed
- ✘ UL Electrical Rating: 15A Max/125Vac/60Hz/1875W
- ✘ Voltage Protection Rating: 400V(L-N) 500V(L-G) 400V(N-G)

Warranty

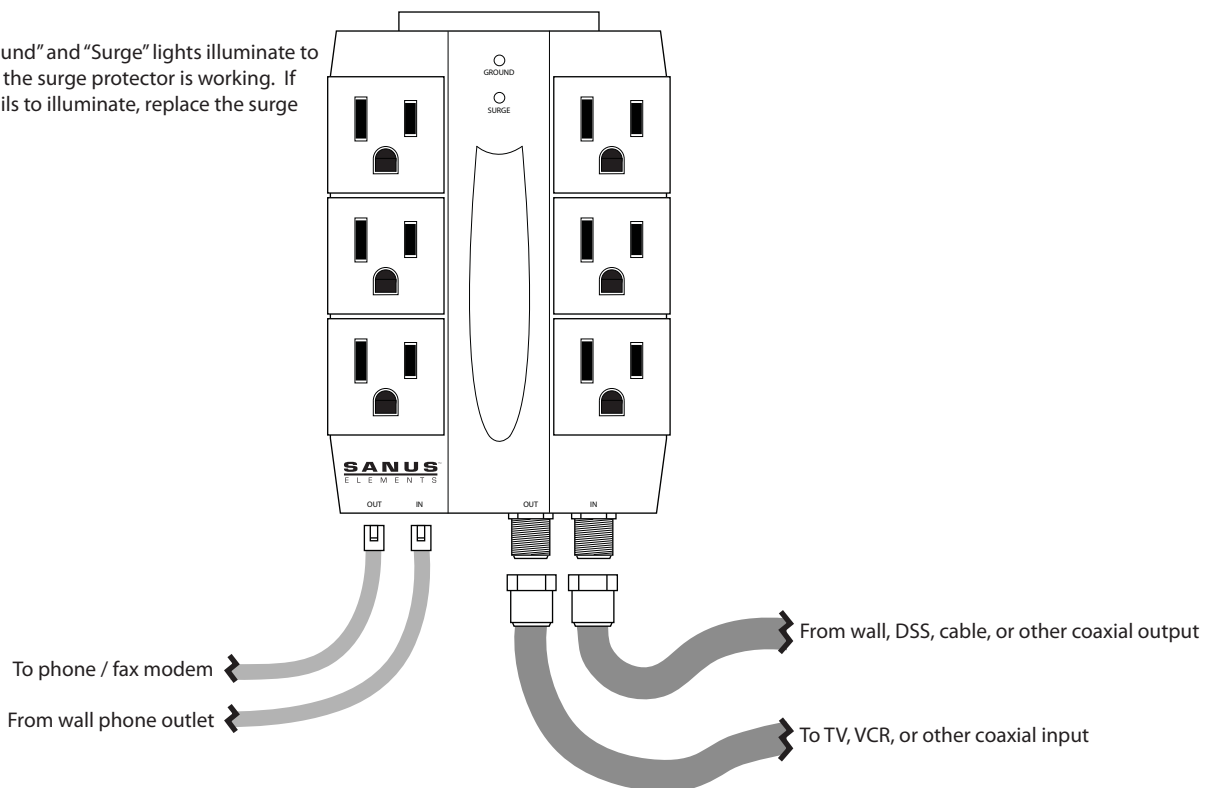
Your Sanus ELM202 Surge protector has a five year product warranty against manufacturer's defects. If you have any questions or experience any problems with your Sanus Elements Surge Protector, please contact Sanus Systems Customer Service at 1-800-359-5520.

⚠ CAUTION:

Avoid potential personal injury or property damage!

- ✘ Do not disassemble the surge protector. Disassembling will void the warranty and may cause serious personal injury.
- ✘ Disconnect the surge protector during lightning storms.
- ✘ To Reduce the Risk of Electric Shock - Use Only in Dry Locations Indoors!
- ✘ Risk of Electrical Shock. Do not plug into another relocatable power tap.
- ✘ This device features an internal protection that will disconnect the surge protective component at the end of its useful life but will maintain power to the load - now unprotected. If this situation is undesirable for the application, follow the manufacturer's instructions for replacing the device.
- ✘ Do not install this device if there is not at least 10 meters (30 feet) or more of wire between the electrical outlet and the electrical service panel.
- ✘ The input plug of this power tap is intended to serve as the disconnect device, it shall be easily accessible and withdrawn.
- ✘ Do not use this product for any purpose not explicitly specified by Sanus Systems.
- ✘ If you do not understand these instructions, or have doubts about the safety of the installation, assembly or use of this product, contact Sanus Systems Customer Service or call a qualified contractor.
- ✘ Sanus Systems is not responsible for damage or injury caused by incorrect assembly or use.

Both the "Ground" and "Surge" lights illuminate to indicate that the surge protector is working. If either light fails to illuminate, replace the surge protector.



Sanus Systems

2221 Hwy 36 West
Saint Paul, MN 55113 USA

Customer Service

800-359-5520 • 651-484-7988 • info@sanus.com

sanus.com

©2010 Milestone AV Technologies, a Duchossois Group Company.

All rights reserved. Sanus is a division of Milestone.

All other brand names or marks are used for identification purposes and are trademarks of their respective owners.

Milestone AV Technologies and its affiliated corporations and subsidiaries (collectively, "Milestone"), intend to make this manual accurate and complete. However, Milestone makes no claim that the information contained herein covers all details, conditions, or variations. Nor does it provide for every possible contingency in connection with the installation or use of this product. The information contained in this document is subject to change without notice or obligation of any kind. Milestone makes no representation of warranty, expressed or implied, regarding the information contained herein. Milestone assumes no responsibility for accuracy, completeness or sufficiency of the information contained in this document.

Free Manuals Download Website

<http://myh66.com>

<http://usermanuals.us>

<http://www.somanuals.com>

<http://www.4manuals.cc>

<http://www.manual-lib.com>

<http://www.404manual.com>

<http://www.luxmanual.com>

<http://aubethermostatmanual.com>

Golf course search by state

<http://golfingnear.com>

Email search by domain

<http://emailbydomain.com>

Auto manuals search

<http://auto.somanuals.com>

TV manuals search

<http://tv.somanuals.com>