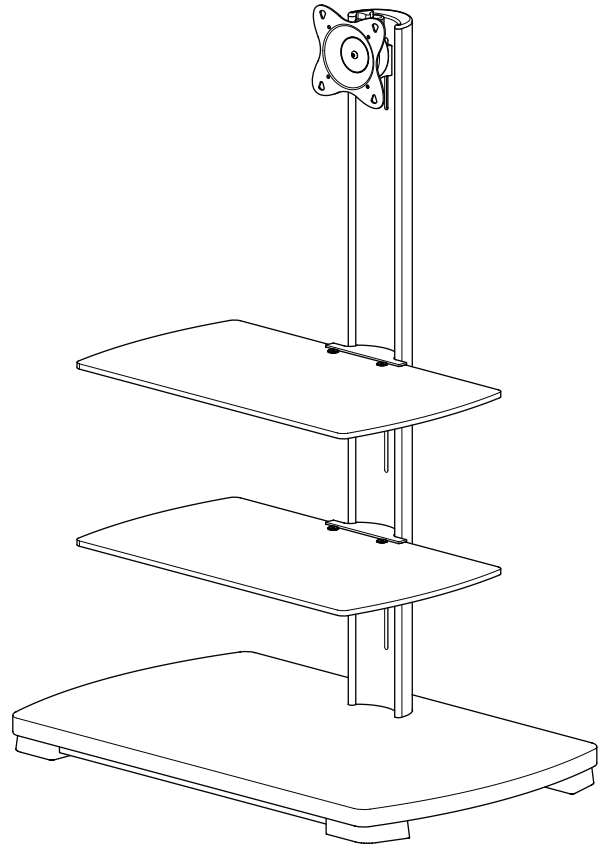


SANUS | SYSTEMS

FFMF2A

Thank you for choosing the Sanus Systems FFMF2A flat panel foundation mount. The Sanus Systems FFMF2A flat panel foundation mount is designed to support a flat panel monitor weighing up to 31 kg (70 lbs). The lower shelves each support additional equipment weighing up to 11 kg (25 lbs). Hardware for multiple mounting configurations is included.



WARNING

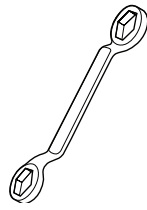
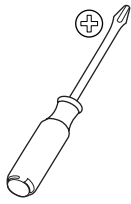
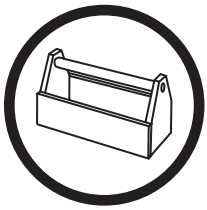
This product contains small items that could be a choking hazard if swallowed. Keep these items away from young children!

CAUTION

Do not use this product for any purpose not explicitly specified by Sanus Systems. Improper installation or use may cause personal injury and/or property damage. If you do not understand these instructions, or if you have doubts about the safety of the installation, contact Sanus Systems Customer Service. Sanus Systems is not liable for injury or damage caused by incorrect installation or use.

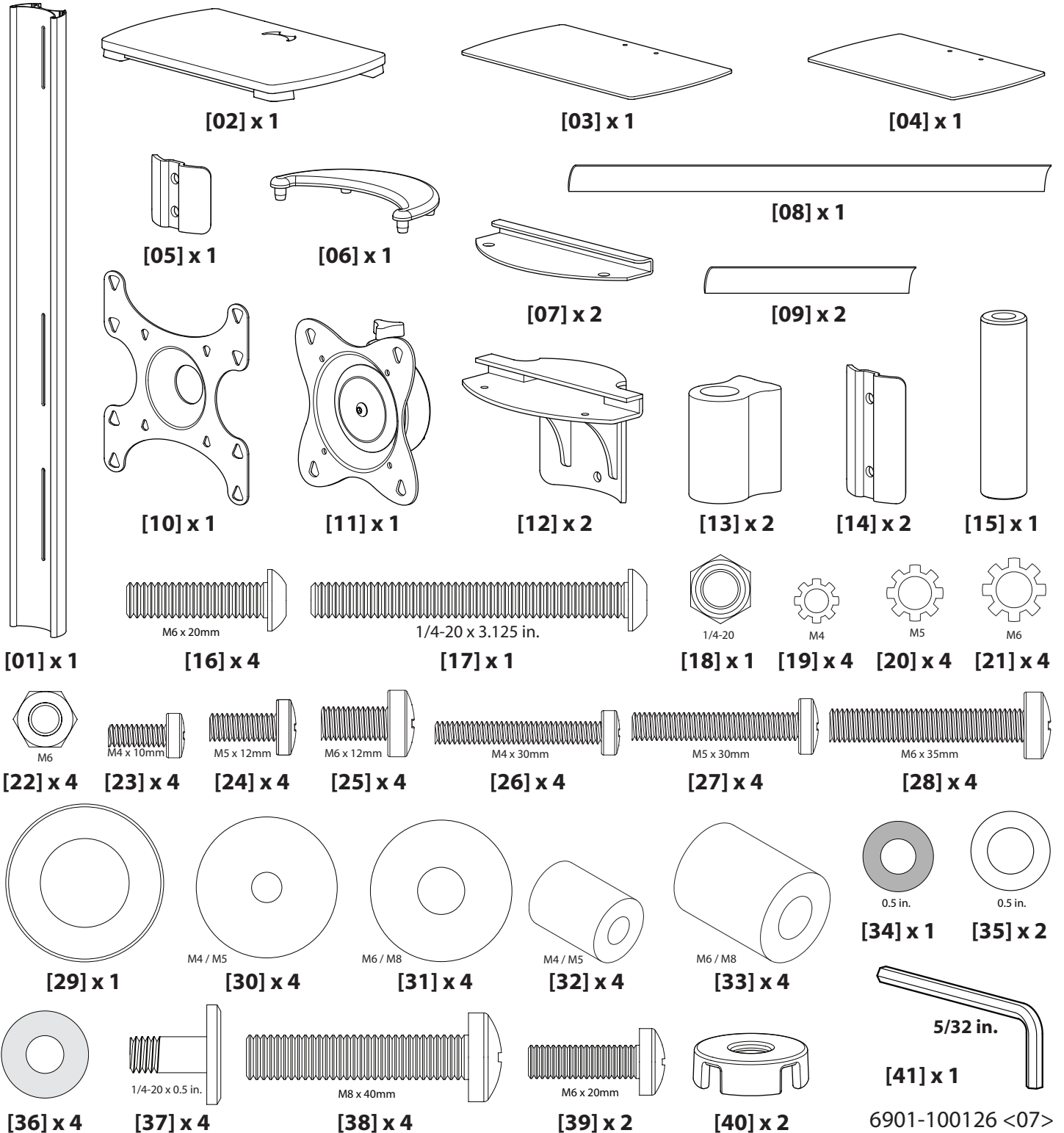


Hardware and procedures for multiple mounting configurations are included. When you see this symbol, choose the correct configuration to suit your needs. Not all hardware included will be used.

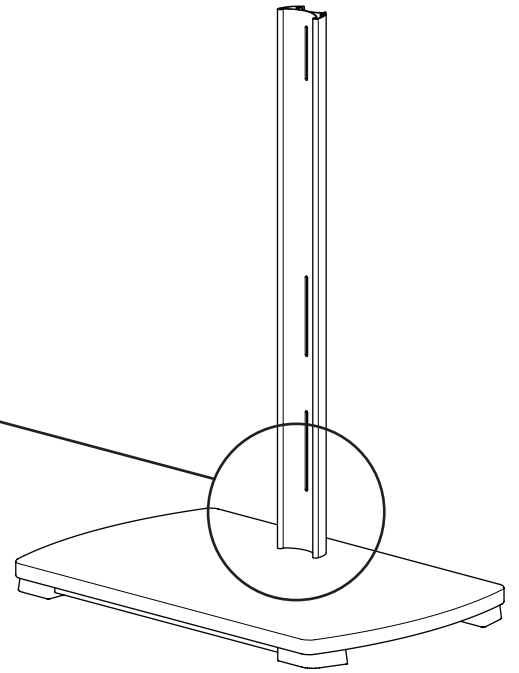
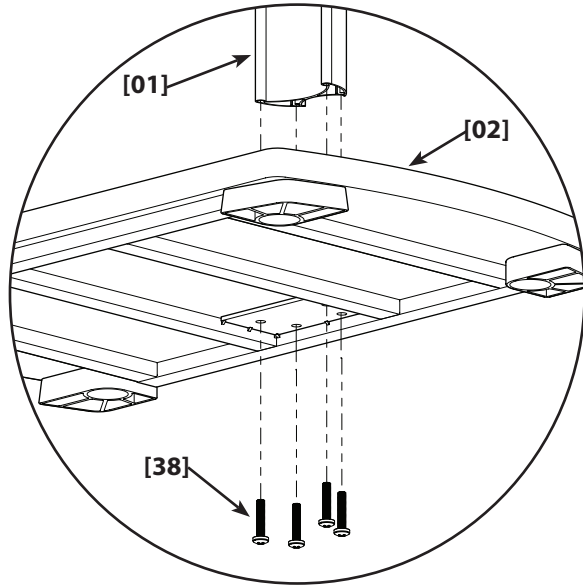
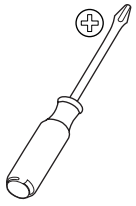


Supplied Parts and Hardware

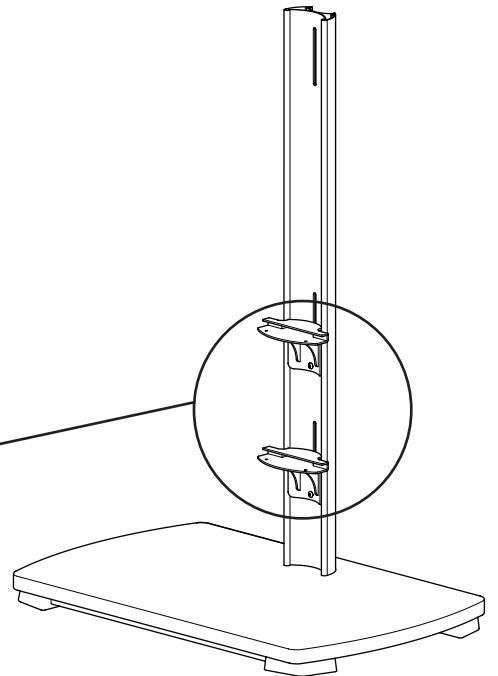
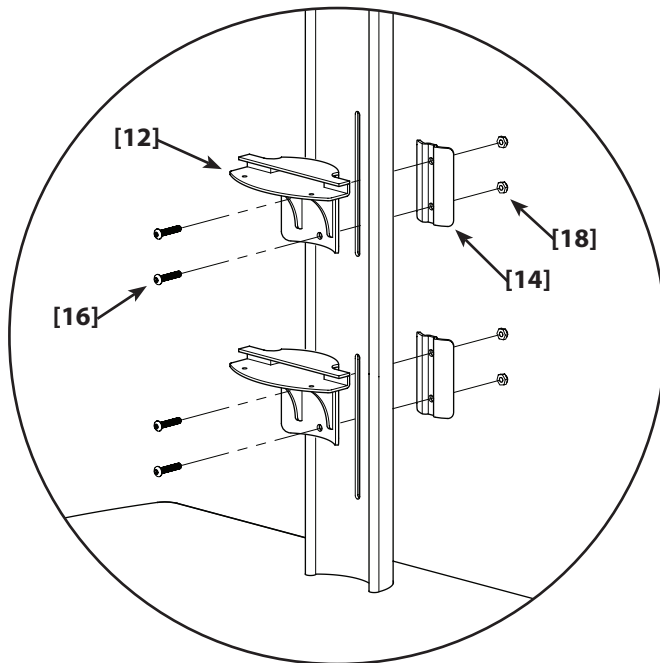
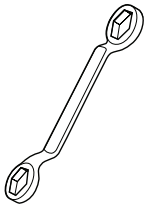
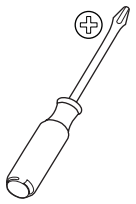
Before starting assembly, verify all parts are included and undamaged. If any parts are missing or damaged, do not return the item to your dealer; contact Sanus Systems Customer Service. Never use damaged parts!



1: Install Pillar on Base

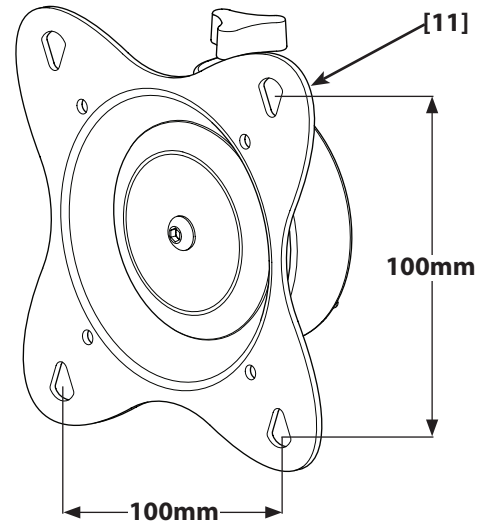
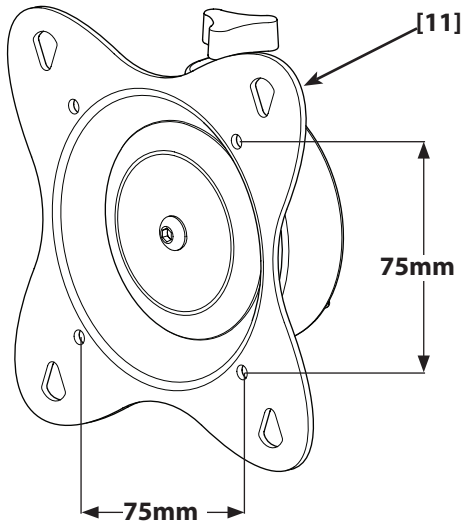


2: Install Brackets on Pillar

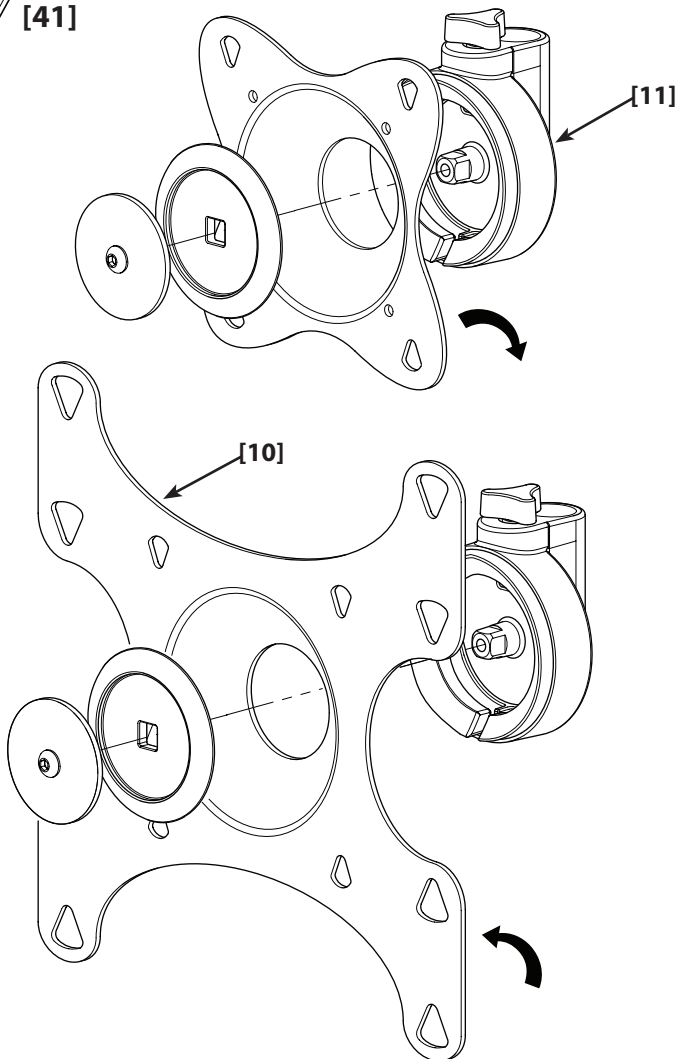


3: Choose Correct Mounting Plate

75mm x 75mm or 100mm x 100mm

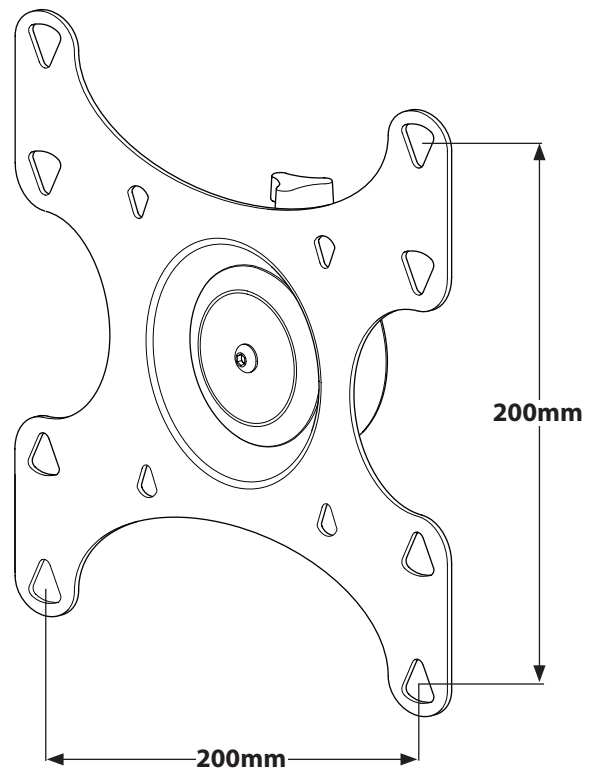


200mm x 200mm



NOTE

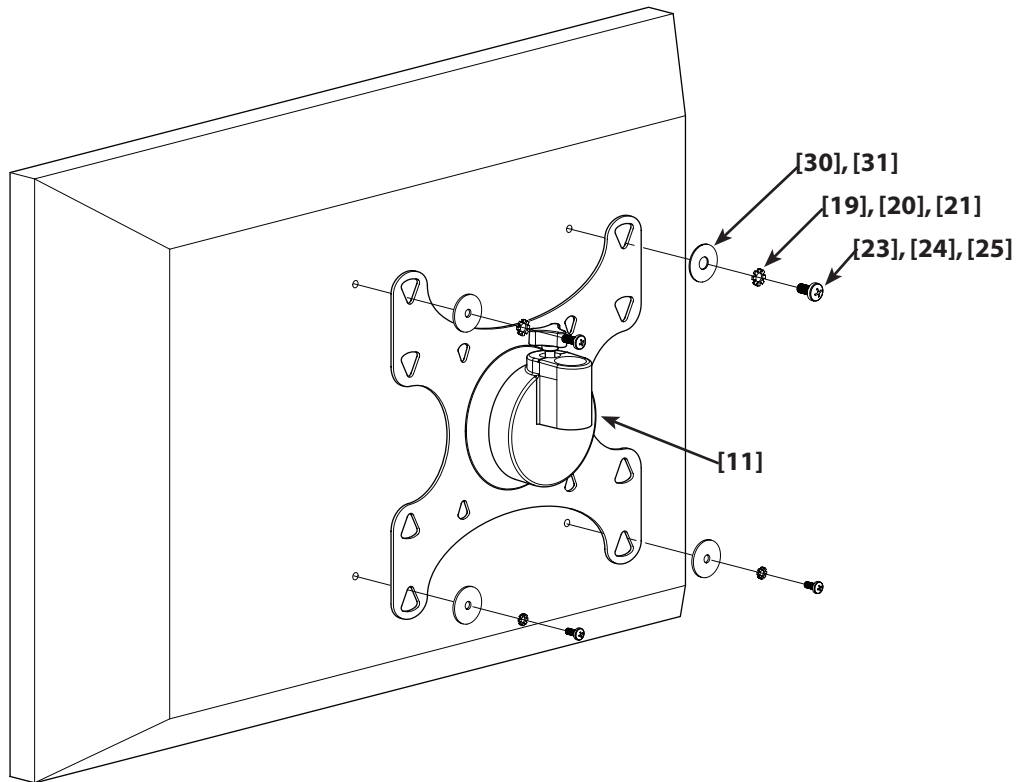
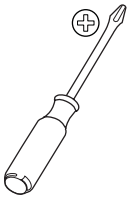
For monitors with 200mm x 200mm hole spacing, you must remove the existing plate from the head assembly [11] and replace it with the larger plate [10].



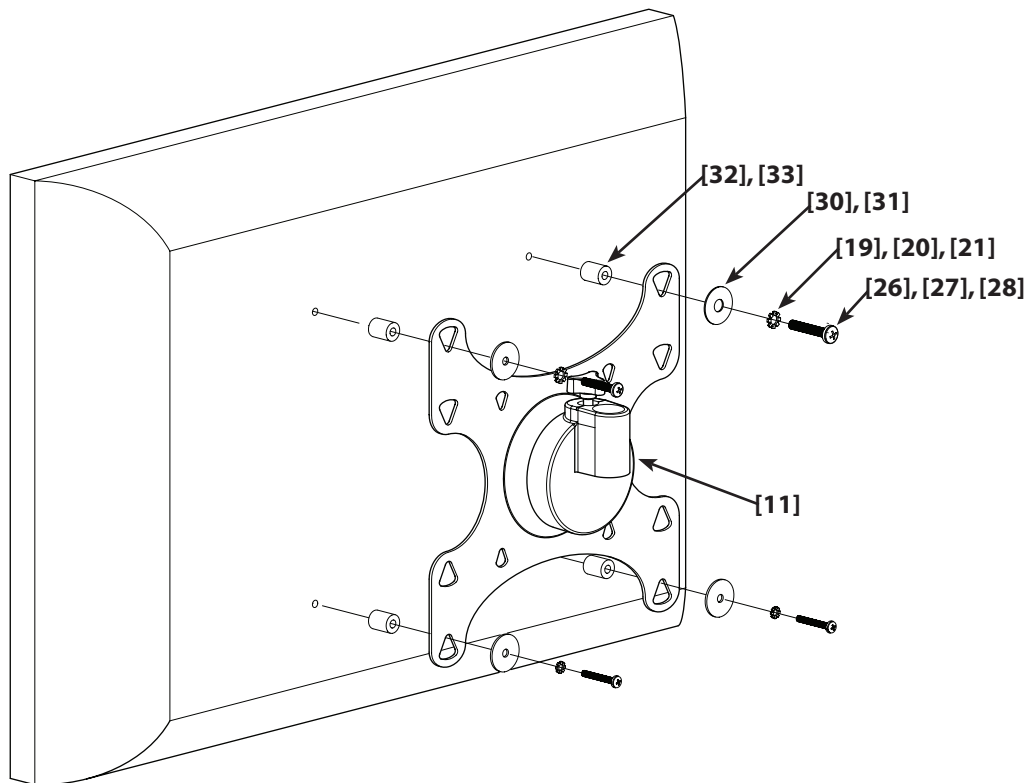
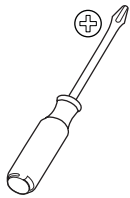
6901-100126 <07>

4: Install Head Assembly on Monitor

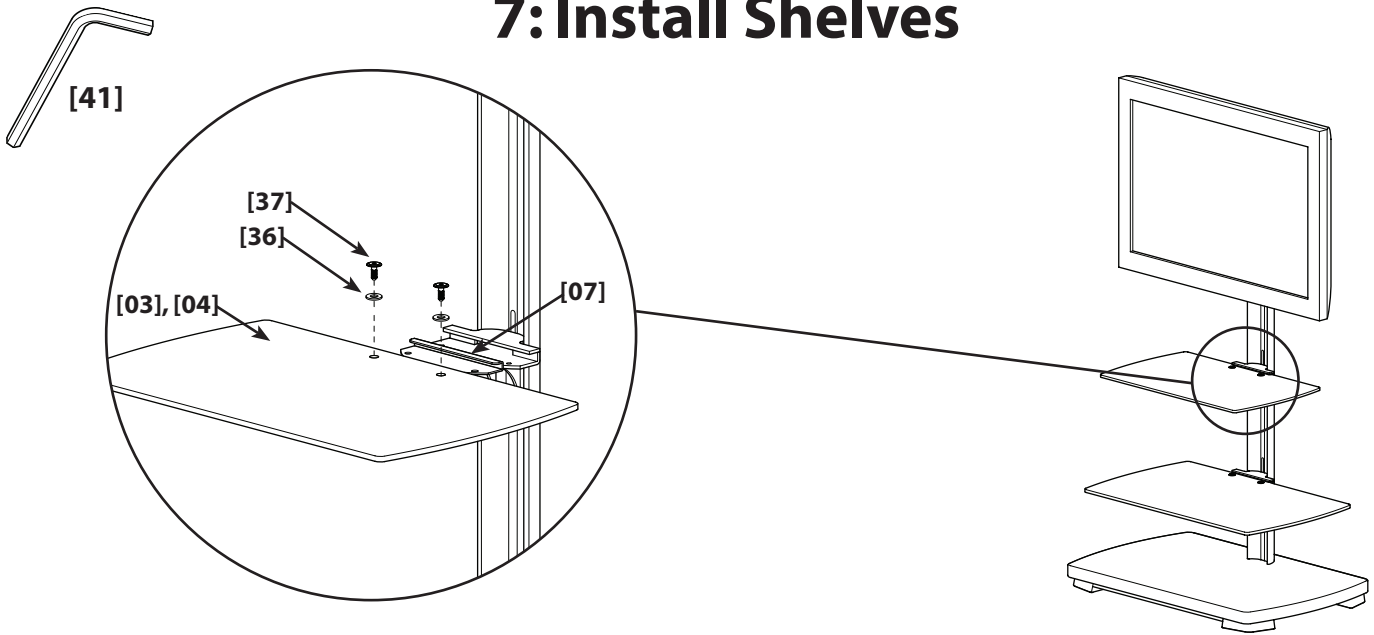
For Monitors with Flat Back



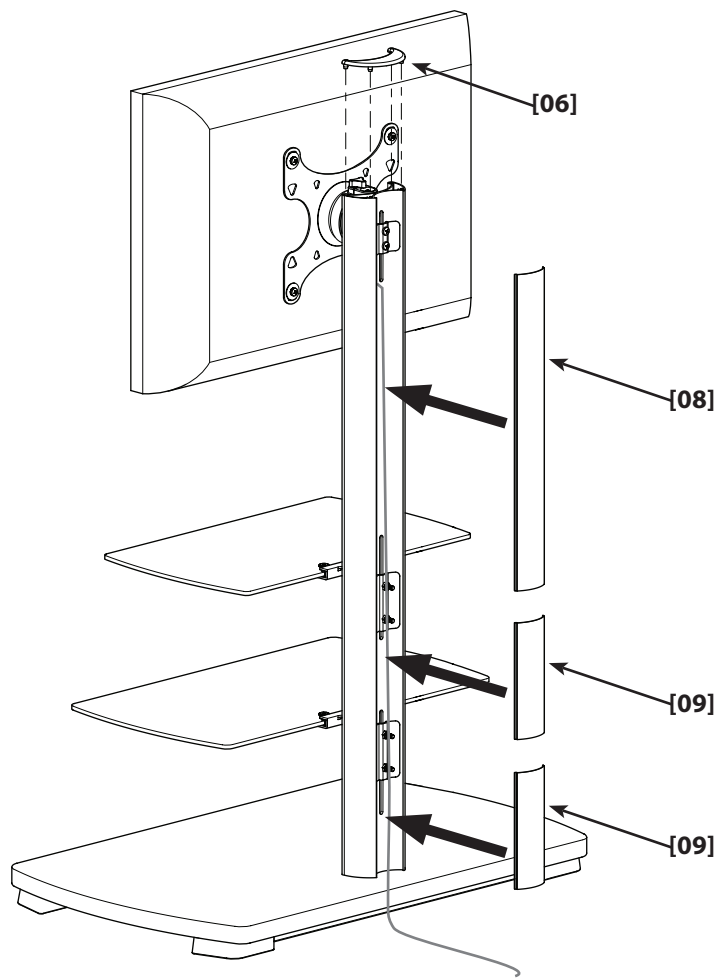
For Monitors with a Curved Back or an Obstruction



7: Install Shelves



8: Install Wire Channel Covers



CSAV, Inc. and its affiliated corporations and subsidiaries (collectively, "CSAV"), intend to make this manual accurate and complete. However, CSAV makes no claim that the information contained herein covers all details, conditions, or variations. Nor does it provide for every possible contingency in connection with the installation or use of this product. The information contained in this document is subject to change without notice or obligation of any kind. CSAV makes no representation of warranty, expressed or implied, regarding the information contained herein. CSAV assumes no responsibility for accuracy, completeness or sufficiency of the information contained in this document.

6901-100126 <07>

Free Manuals Download Website

<http://myh66.com>

<http://usermanuals.us>

<http://www.somanuals.com>

<http://www.4manuals.cc>

<http://www.manual-lib.com>

<http://www.404manual.com>

<http://www.luxmanual.com>

<http://aubethermostatmanual.com>

Golf course search by state

<http://golfingnear.com>

Email search by domain

<http://emailbydomain.com>

Auto manuals search

<http://auto.somanuals.com>

TV manuals search

<http://tv.somanuals.com>